



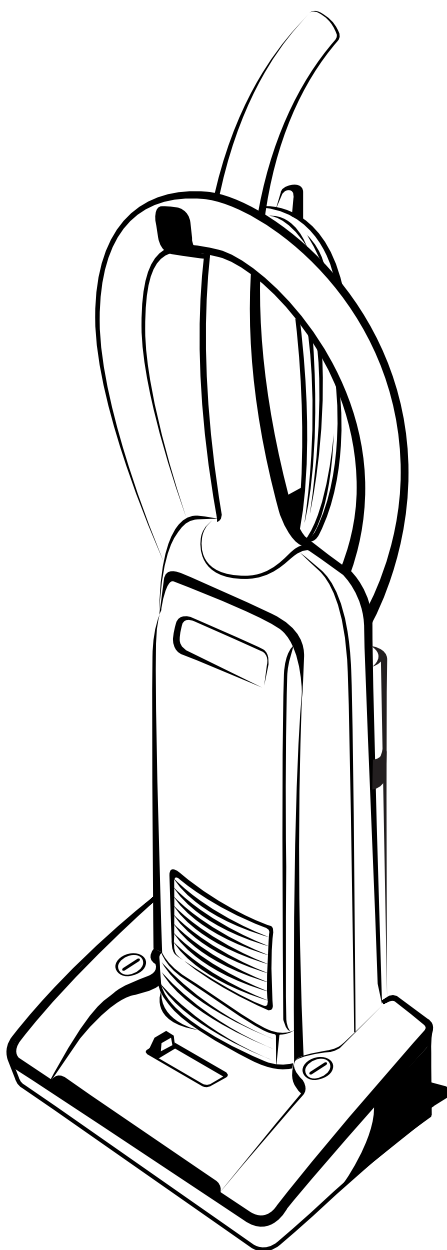
***Repair services***

America's repair specialists

---

***SEARS KENMORE UPRIGHT  
VACUUM CLEANER***

**MODEL: 721.36078600**



# CONTENTS

MODEL 721.36078600

**BEFORE SERVICING THE UNIT, READ THE "SAFETY PRECAUTIONS" IN THIS MANUAL.**

## MODEL 721.36078600

### MECHANICAL SERVICE INFORMATION

# TABLE OF CONTENTS

1. SAFETY PRECAUTIONS .....	3
2. CAUTIONS .....	3
3. DESCRIPTION/ATTACHMENTS/SPECIFICATIONS .....	4
4. DISASSEMBLY .....	5-9
5. REPLACEMENT INSTRUCTIONS .....	10-12
6. REMOVING CLOG .....	13
7. TROUBLE SHOOTING .....	14-16
8. WIRING DIAGRAM .....	17
9. EXPLODED VIEW/REPLACEMENT PARTS LIST .....	18-21

# SAFETY PRECAUTIONS

MODEL 721.36078600

**BEFORE OPERATING THIS VACUUM CLEANER, READ THIS SERVICE MANUAL THOROUGHLY, AND OBSERVE EACH POINT CAREFULLY.**

## 1. Filter

- 1) The filter is composed of a motor safety filter, a exhaust filter and a paper bag.
- 2) Never use the vacuum cleaner without filters. It may harm the motor.

**NOTE :** Re-use of the motor safety filter.

Never wash the filter in a washing machine or in a dishwasher.

Never use hot water for washing the filter.

Re-use the filter after drying it completely in the shade.

Do not dry near fire or direct sun ray.

## 2. Avoid sucking such materials as :

- 1) Liquid or wet dust :  
Clogs the ventilation holes, reduces the suction power significantly and harms the motor.
- 2) Inflammable liquids such as benzene, alcohol or solvents.
- 3) Burning objects such as cigarette butts.
- 4) Bulky objects such as vinyl, paper etc.
- 5) Sharp objects such as needles, pins, metal or glass particles etc.

## 3. Attachments

- 1) Dusting Brush and Crevice Tool :  
For cleaning any crevice, inside corners of window frames.  
For delicate vacuuming of fabrics on the furniture, curtains, etc.
- 2) Upholstery Tool : for vacuuming the dust on the upholstery.

**4. Close supervision is necessary when this vacuum cleaner is used by or near children. Children's carelessness may cause damage to the cleaner or injure persons.**

**5. Air exhausted from the vacuum cleaner is normally warm. But if extraordinarily hot air is exhausted, check if the hose or dust bag is clogged or not.**

**6. Electric shock could occur if used outdoors or on wet surfaces.**

# CAUTIONS

**BEFORE ATTEMPTING TO SERVICE OR ADJUST ANY PART OF THE VACUUM CLEANER, DISCONNECT THE ELECTRICAL POWER SUPPLY CORD FROM THE WALL OUTLET.**

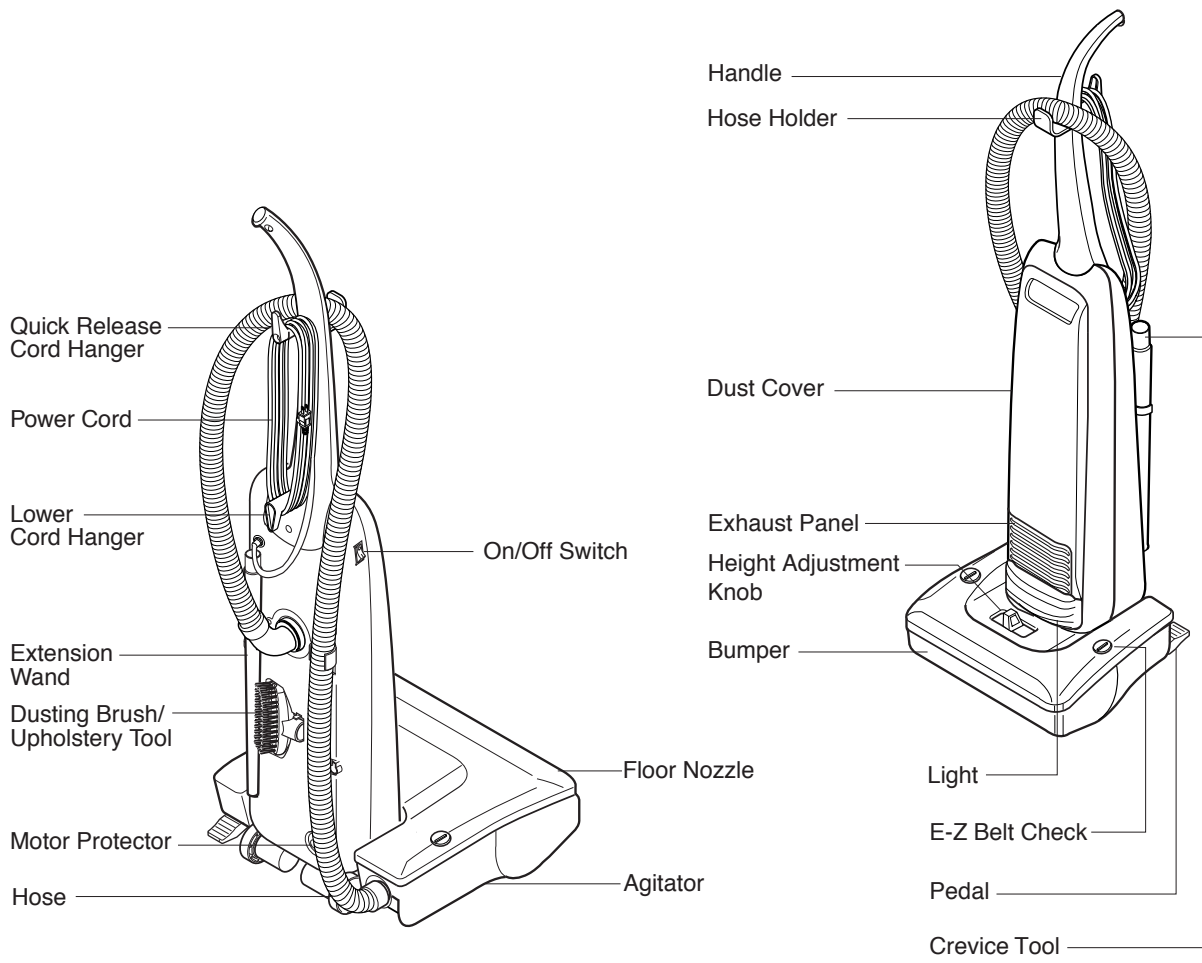
## 1. Motor exchange

- 1) Separate the Body Cover and Body Base by unfastening the screws.
- 2) After disconnecting the lead wires, replace the old motor with a new one.

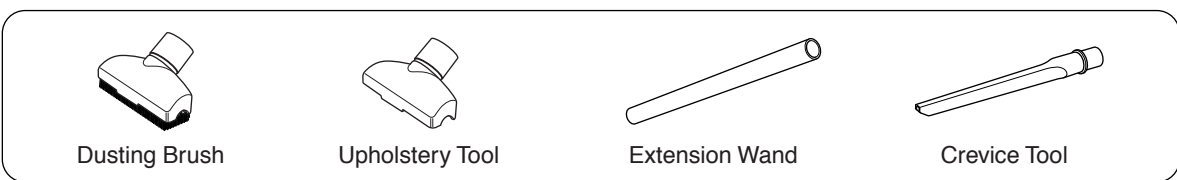
**2. In case of exchanging other parts, refer to the exploded view.**

# DESCRIPTION

MODEL 721.36078600



# ATTACHMENTS



# SPECIFICATIONS

- **POWER SOURCE** : ON NAMEPLATE
- **POWER CONTROL** : ON/OFF SWITCH ON BODY
- **CAPACITY** : 5 l
- **CORD LENGTH**: 7.7m
- **NET WEIGHT**: 7.7kg
- **PACKING WEIGHT** : 7.7kg
- **NET DIMENSION** : 364 x 1164 x 361 (W x D x H)mm
- **PACKING DIMENSION** : 370 x 870 x 245 (W x D x H)mm
- **ATTACHMENTS**
  - DUSTING BRUSH..... 1EA
  - UPHOLSTERY TOOL ..... 1EA
  - EXTENSION WAND..... 1EA
  - CREVICE TOOL..... 1EA



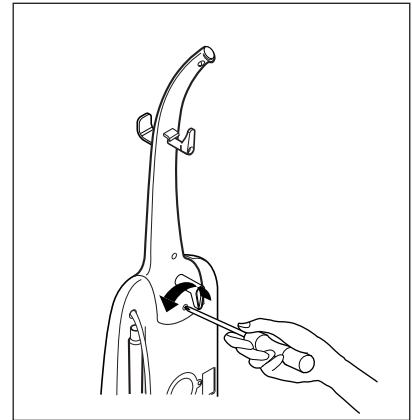
## WARNING

Electrical Shock or Personal Injury Hazard

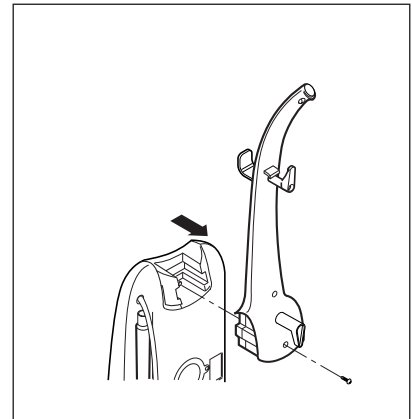
Disconnect electrical supply before servicing or cleaning the unit. Failure to do so could result in electrical shock or personal injury from the vacuum cleaner suddenly starting.

### **Step 1: Disassembling handle and cord hanger.**

Remove screw and pull out the handle.



Full out the cord hanger forward strongly to remove.



**WARNING**

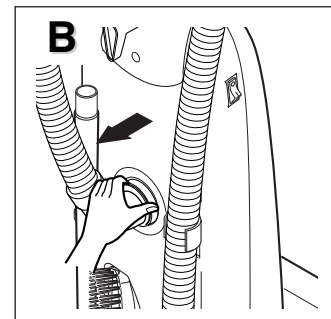
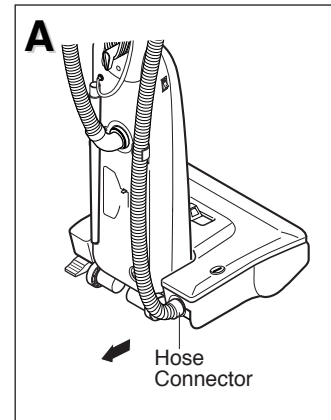
Electrical Shock or Personal Injury Hazard

Disconnect electrical supply before servicing or cleaning the unit. Failure to do so could result in electrical shock or personal injury from the vacuum cleaner suddenly starting.

**Step 2: Disassembling hose**

Remove the lower end of hose from the cleaner.

Press the release hook on the pipe connector and pull the hose forward. (Fig.B)





## WARNING

Electrical Shock or Personal Injury Hazard

Disconnect electrical supply before servicing or cleaning the unit. Failure to do so could result in electrical shock or personal injury from the vacuum cleaner suddenly starting.

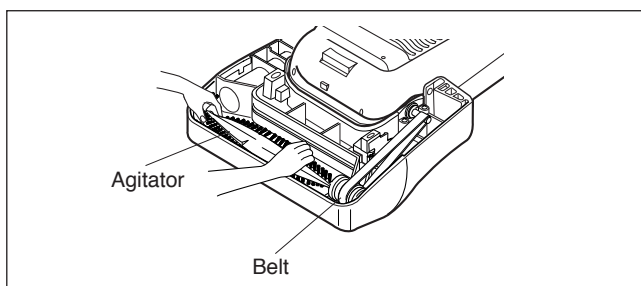
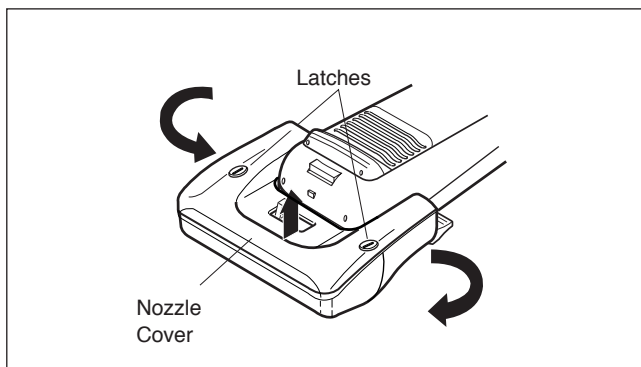
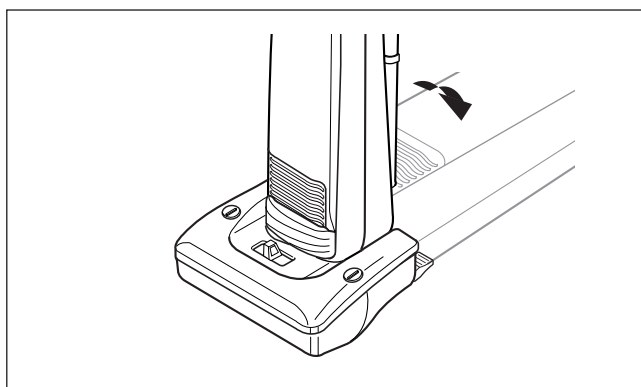
### **Step 3: Disassembling floor nozzle of the cleaner (agitator, belt assembly, etc.)**

Lower handle to lay vacuum body flat.

Using a coin to turn the latches and remove nozzle cover.

Lift the right end of the agitator and then the left end.

Remove the belt from motor shaft.





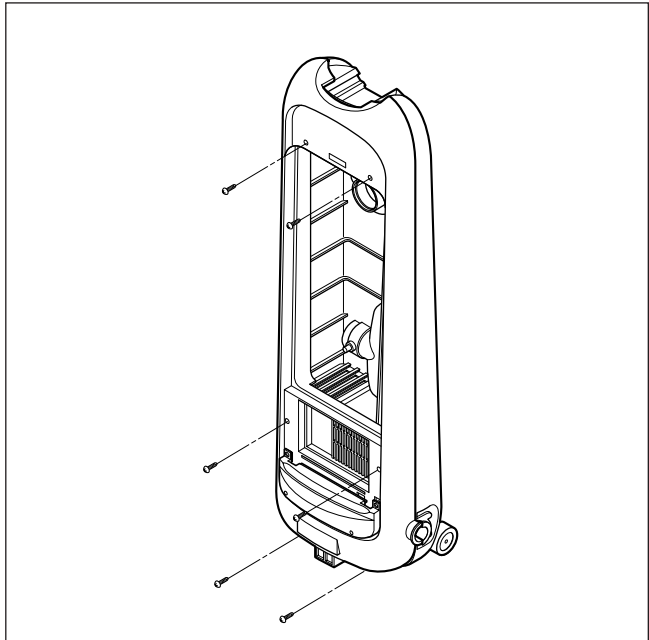
## WARNING

Electrical Shock or Personal Injury Hazard

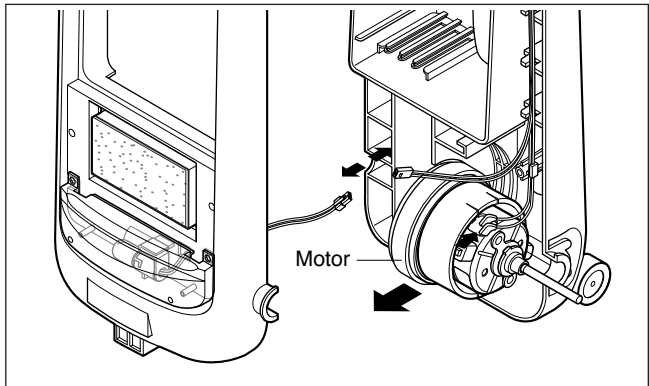
Disconnect electrical supply before servicing or cleaning the unit. Failure to do so could result in electrical shock or personal injury from the vacuum cleaner suddenly starting.

### **Step 4: Disassembling body of the cleaner (motor, switch, etc.)**

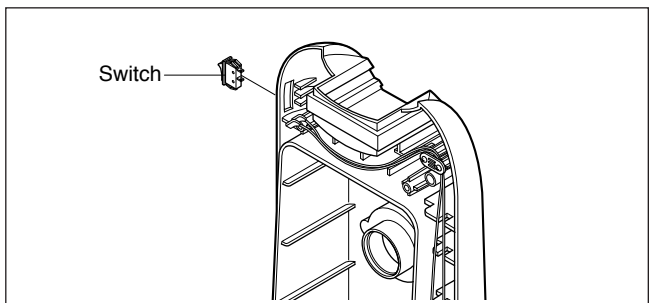
Unscrew and remove the body cover from the body base.



Disconnect wires and remove motor.



Disconnect wires and disassemble switch.





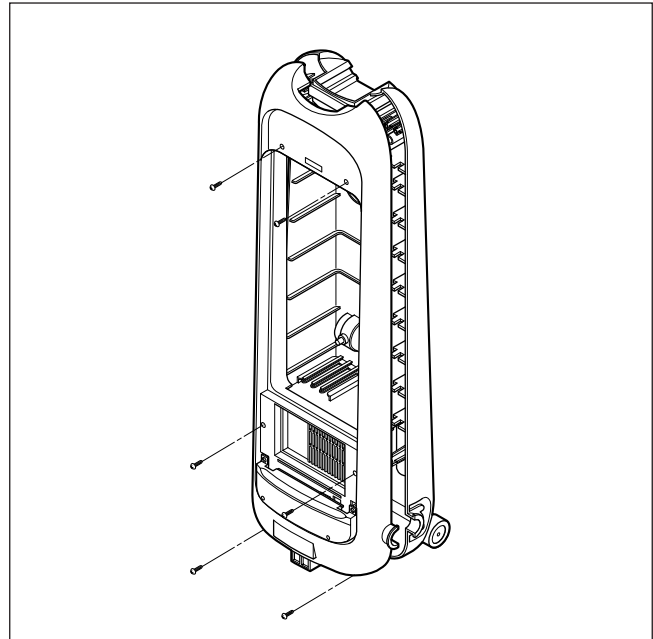
## WARNING

Electrical Shock or Personal Injury Hazard

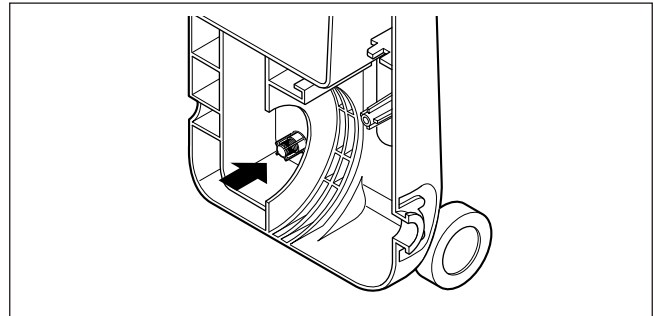
Disconnect electrical supply before servicing or cleaning the unit. Failure to do so could result in electrical shock or personal injury from the vacuum cleaner suddenly starting.

### **Step 5: Disassembling motor protector (Damper)**

Unscrew and remove the body cover from the body base.

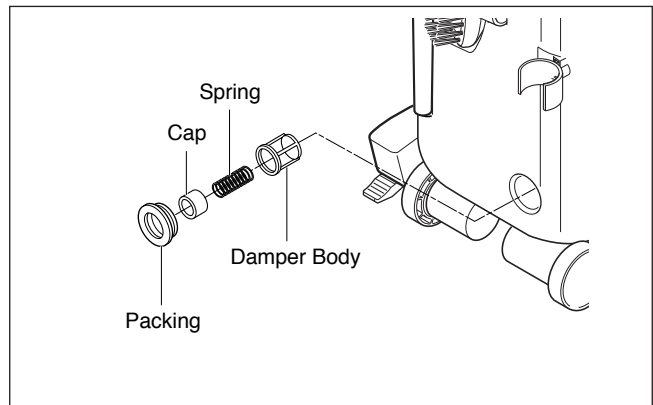


Push the end of damper body strongly to detach the damper body from the body base.



When reassemble the damper to the body base, assemble cap, spring and damper body first.

Then press-fit.



# REPLACEMENT INSTRUCTIONS

MODEL 721.30678600



## WARNING

Electrical Shock or Personal Injury Hazard

Disconnect electrical supply before servicing or cleaning the unit. Failure to do so could result in electrical shock or personal injury from the vacuum cleaner suddenly starting.

## Replacing the Light Bulb

Unplug the cleaner.

Place the handle to parallel position. (Fig. A)

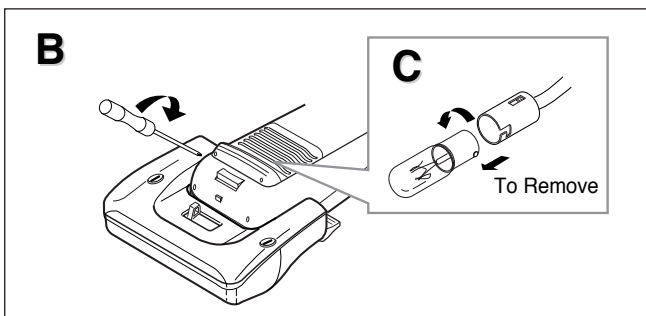
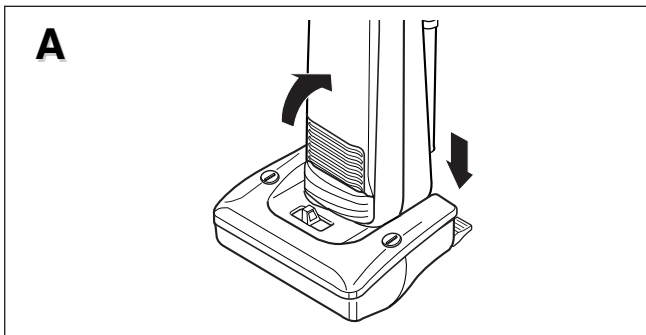
Unscrew and remove the light cover. (Fig. B)

To remove old bulb, push it in toward bulb socket while turning counter-clockwise, then remove. (Fig. C)

Use a bayonet base bulb having the rating of 25W.

To install a new bulb, push it in toward the bulb socket and turn it clockwise.

Replace the light cover and secure it with screws.

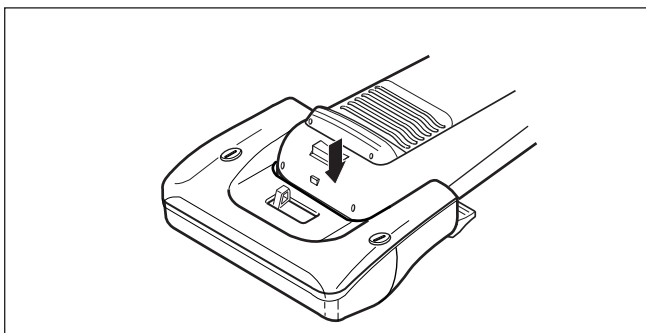
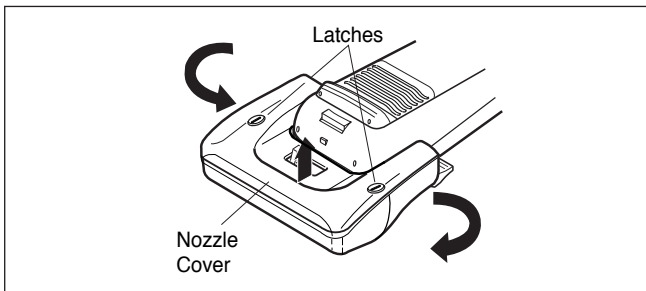


## Removing/Installing the Nozzle Cover

Using a coin to turn the latches, and raise cover.

To replace nozzle cover, insert tabs on the nozzle cover into slots in the nozzle base.

Then lower nozzle cover onto nozzle base and secure the latches.





## WARNING

Electrical Shock or Personal Injury Hazard

Disconnect electrical supply before servicing or cleaning the unit. Failure to do so could result in electrical shock or personal injury from the vacuum cleaner suddenly starting.

## ***Replacing Belt and/or Agitator***

Check the belt and agitator frequently. If they are broken or worn out, replace them.

Using a coin to turn the latches and remove nozzle cover.

To remove the belt or agitator, grasp the both ends of agitator and lift it slowly. Remove the belt from agitator pulley and motor shaft. If the belt was broken, be sure all pieces are removed.



## WARNING

Personal Injury Hazard

Be careful when removing the agitator as the belt tension is high.

Failure to do so could result in personal injury from the agitator releasing quickly and snapping away.

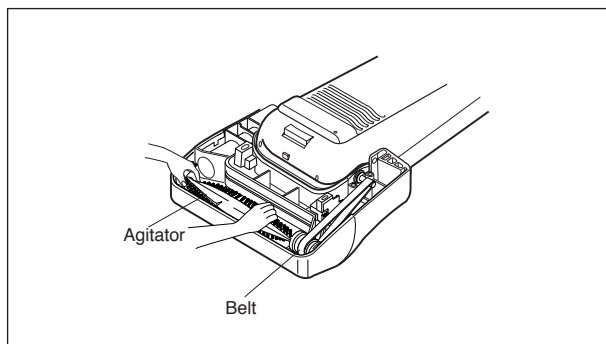
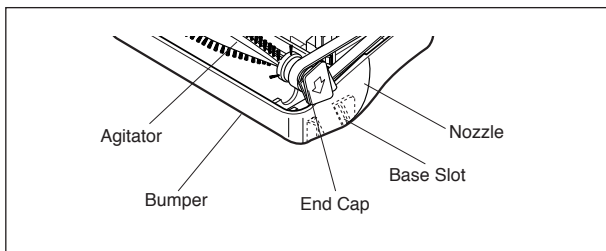
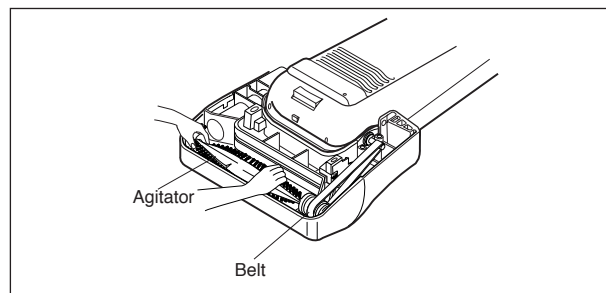
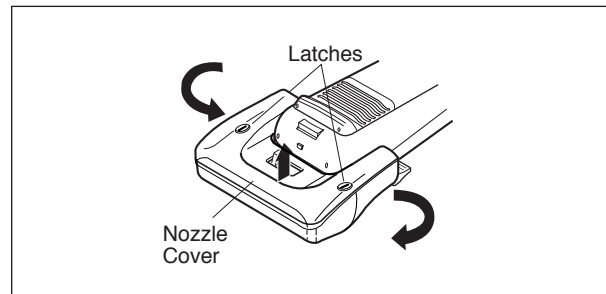
The motor shaft may be very hot!

Loop the other end of the belt on the belt pulley on the agitator.

Insert the left end cap, arrow down, into its slot in the nozzle base. Pull the agitator forward and insert the right end cap, arrow down, into its slot in the nozzle base.

Check to see that the belt is centered on the belt pulley. Turn the agitator with fingers to see that it turns freely.

Replace the nozzle cover and secure the latches.





## WARNING

Electrical Shock or Personal Injury Hazard

Disconnect electrical supply before servicing or cleaning the unit. Failure to do so could result in electrical shock or personal injury from the vacuum cleaner suddenly starting.

### ***Replacing Dust Bag***

Check the bag from time to time. When excessive dirt accumulates, the cleaner may not operate effectively.

If the cleaner does not seem to have adequate suction, check the bag.

DISCONNECT THE CLEANER FROM THE ELECTRICAL OUTLET.

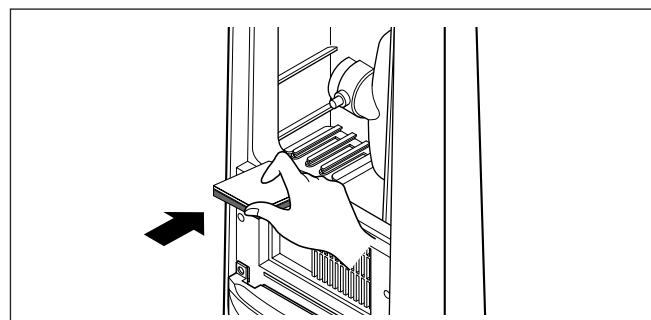
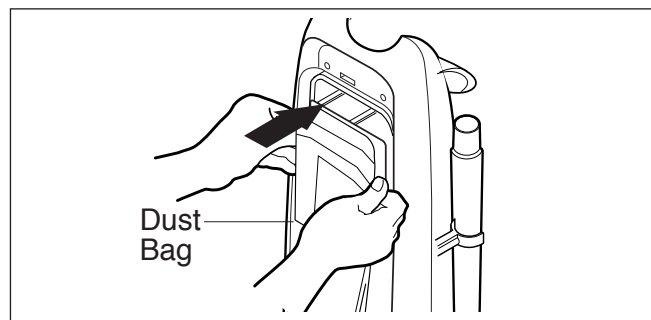
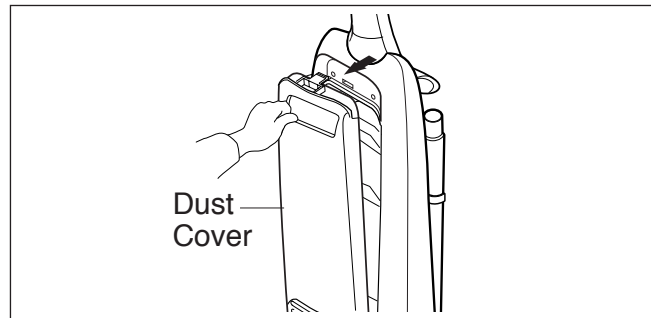
Pull the dust cover grip forward and remove the dust cover from the cleaner.

Grasp the dust bag collar and pull it out.

Attach a new dust bag onto the bag holder holding the dust bag collar and pushing back as shown in the figure.

Insert the tabs on the bottom of dust cover into the grooves on the dust compartment.

Rotate the dust cover up into the closed position and press it until the hook snaps into place.



### ***Replacing Motor Safety Filter***

The motor safety filter is located inside the dust compartment. When installing or changing the dust bag, always check this filter. When the filter becomes dirty, clean it or install a new one.

To remove this filter, open the dust cover and pull the filter out from the bottom of dust compartment.

To clean the old filter, rinse it in water and dry it.

Slide this filter back into place. It should be fully inserted into the ribs of the bottom of dust compartment. Be sure the filter is dry.

# REMOVING CLOGS

MODEL 721.36078600



## WARNING

Electrical Shock or Personal Injury Hazard

Disconnect electrical supply before servicing or cleaning the unit. Failure to do so could result in electrical shock or personal injury from the vacuum cleaner suddenly starting.

If the cleaner does not seem to have adequate suction, first check to see if the bag is full.

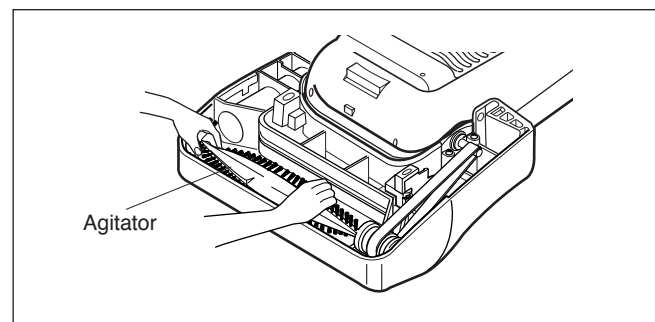
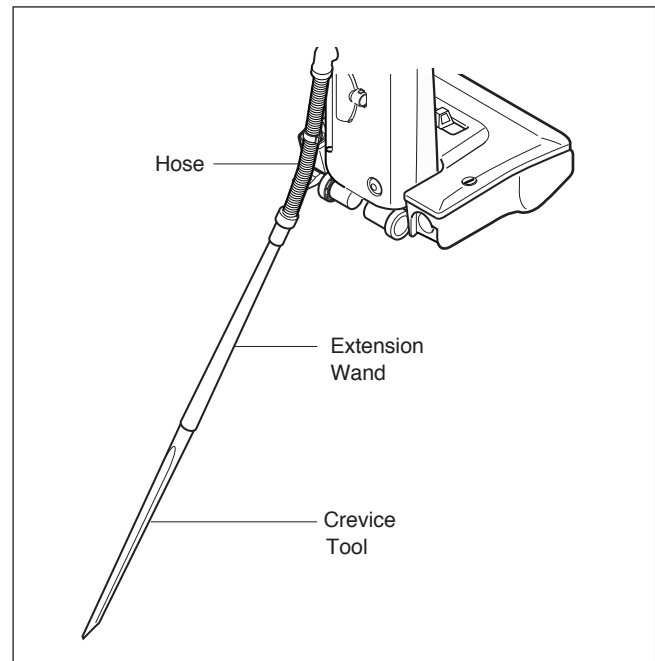
If the bag is not full, check the hose.

Remove the lower end of the hose from the cleaner by grasping hose connector, twisting, and pulling straight out.

Visually inspect the hose and the opening of the nozzle cover into which the hose is inserted.

If the clog still exists, make sure to turn the vacuum cleaner off and unplug the power.

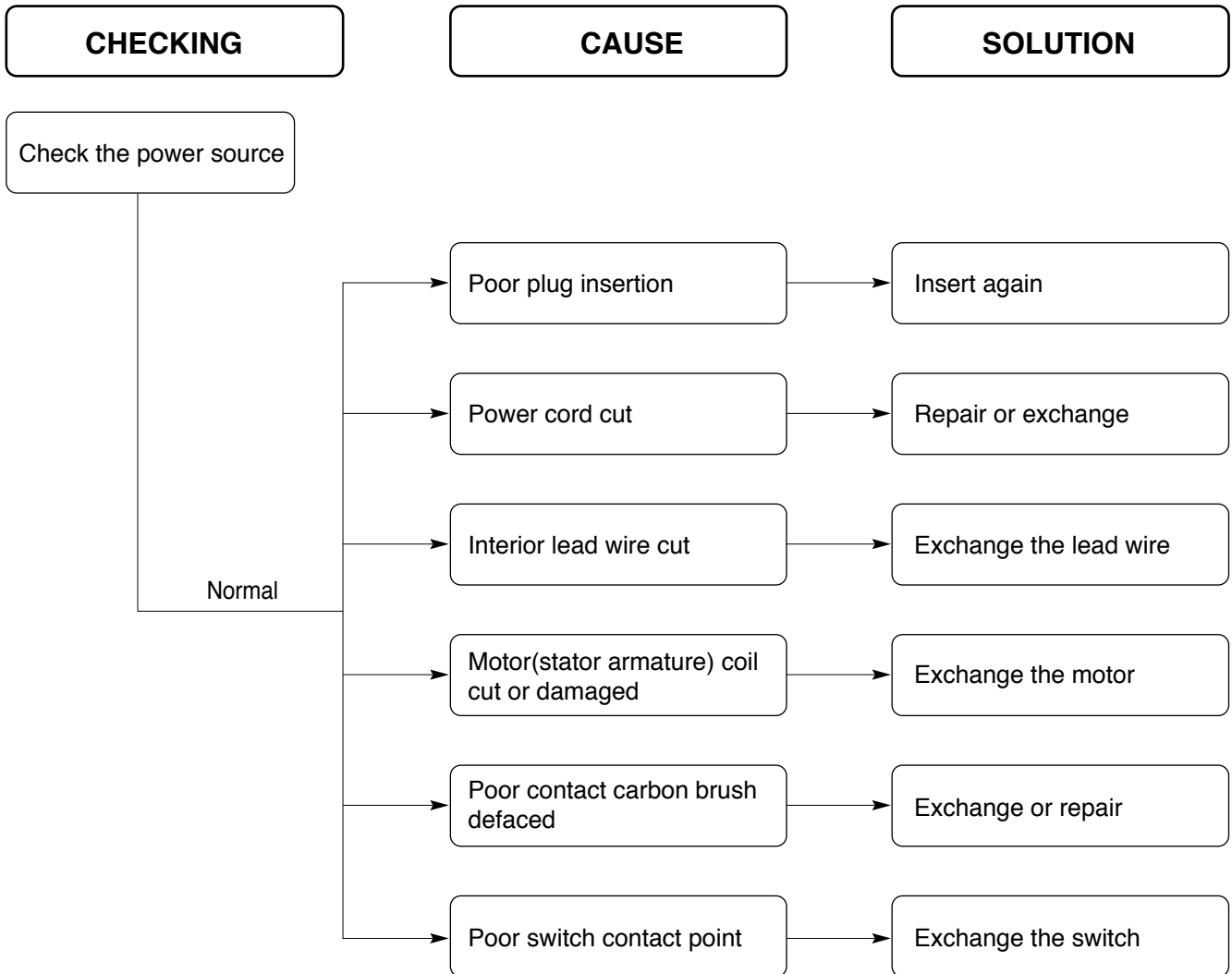
Open the nozzle cover and check the agitator area and suction inlet.



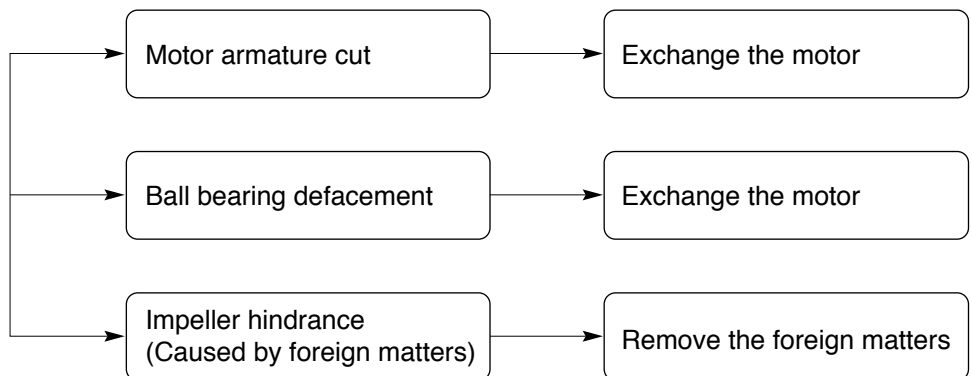
# TROUBLE SHOOTING

MODEL 721.36078600

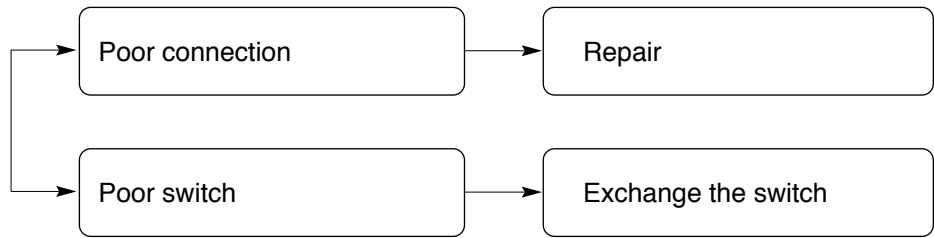
## 1) SWITCH ON BUT MOTOR DOES NOT TURN



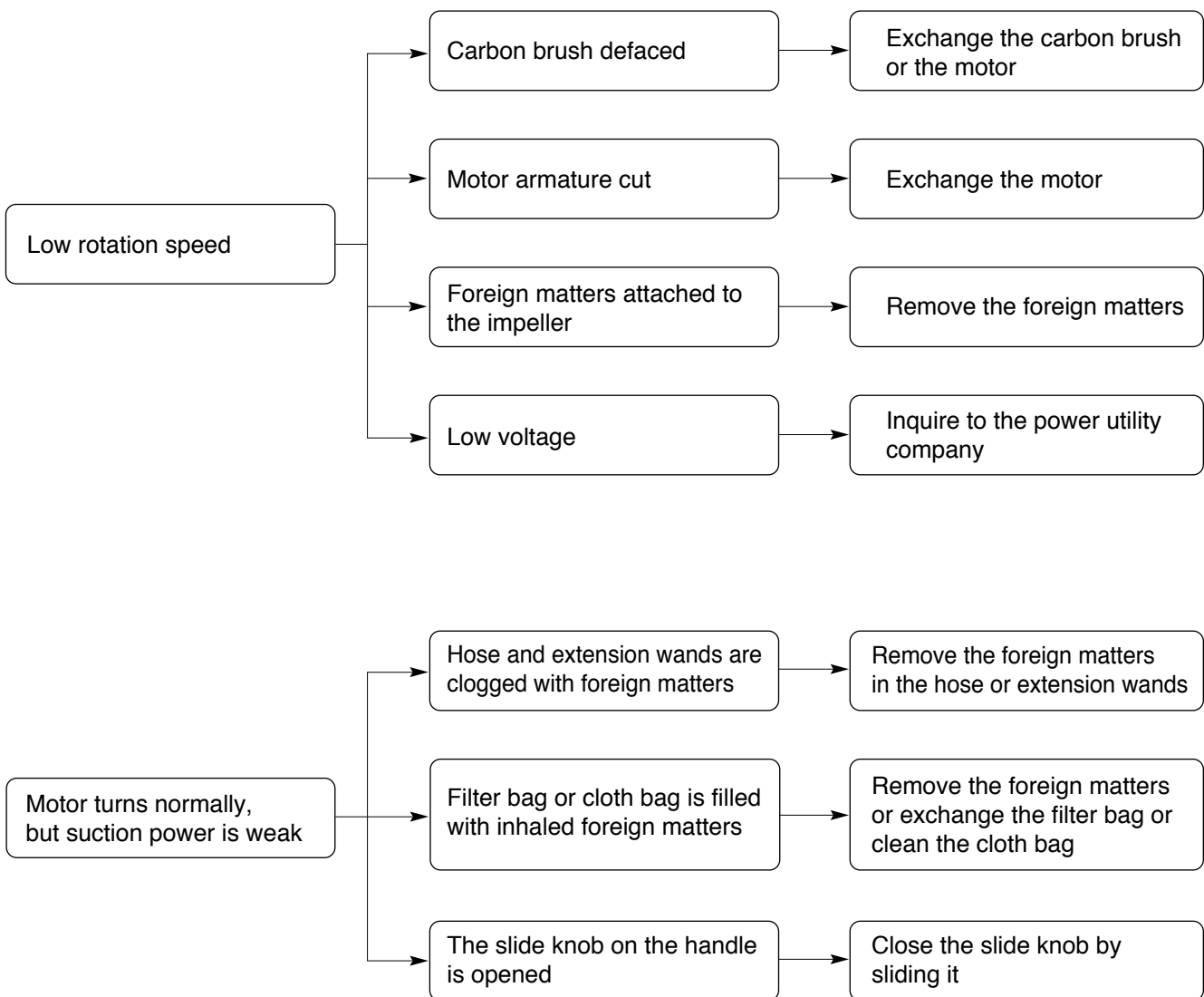
## 2) SWITCH ON, MOTOR DOES NOT TURN BUT BUZZES

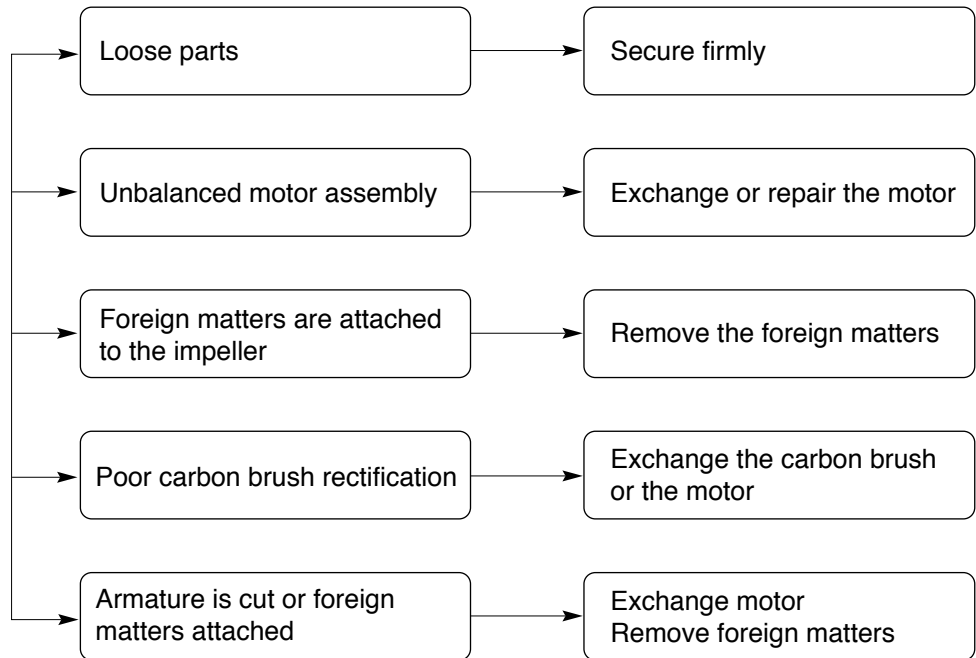
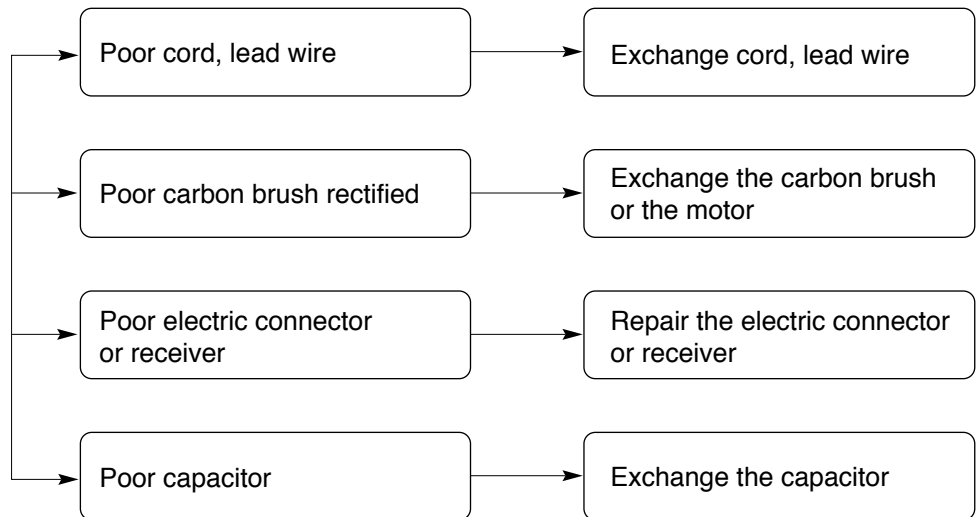
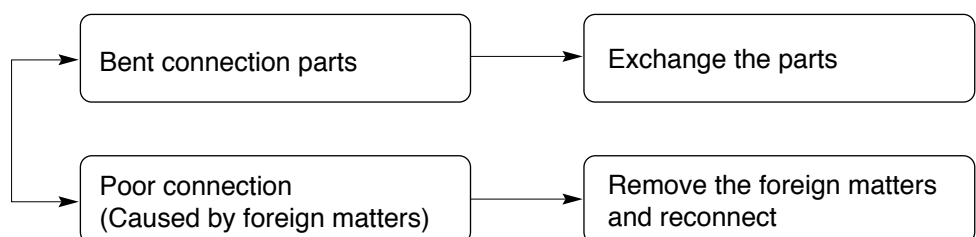


**3) SWITCH OFF BUT MOTOR TURNS**



**4) WEAK SUCTION POWER**

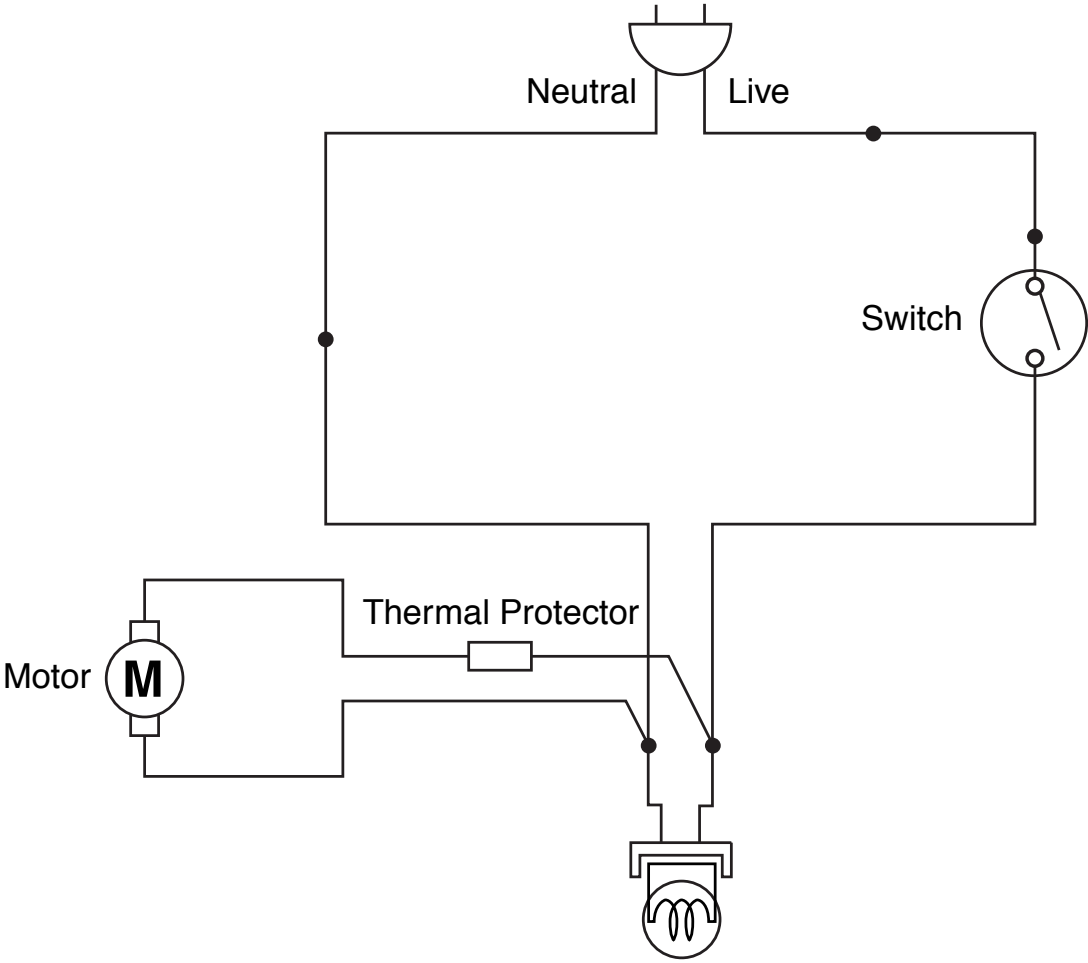


**5) VIBRATION NOISES****6) RADIO, TV RECEPTION DISTURBANCE****7) IMPROPER HOSE OR NOZZLE CONNECTION**

# SCHEMATIC DIAGRAM

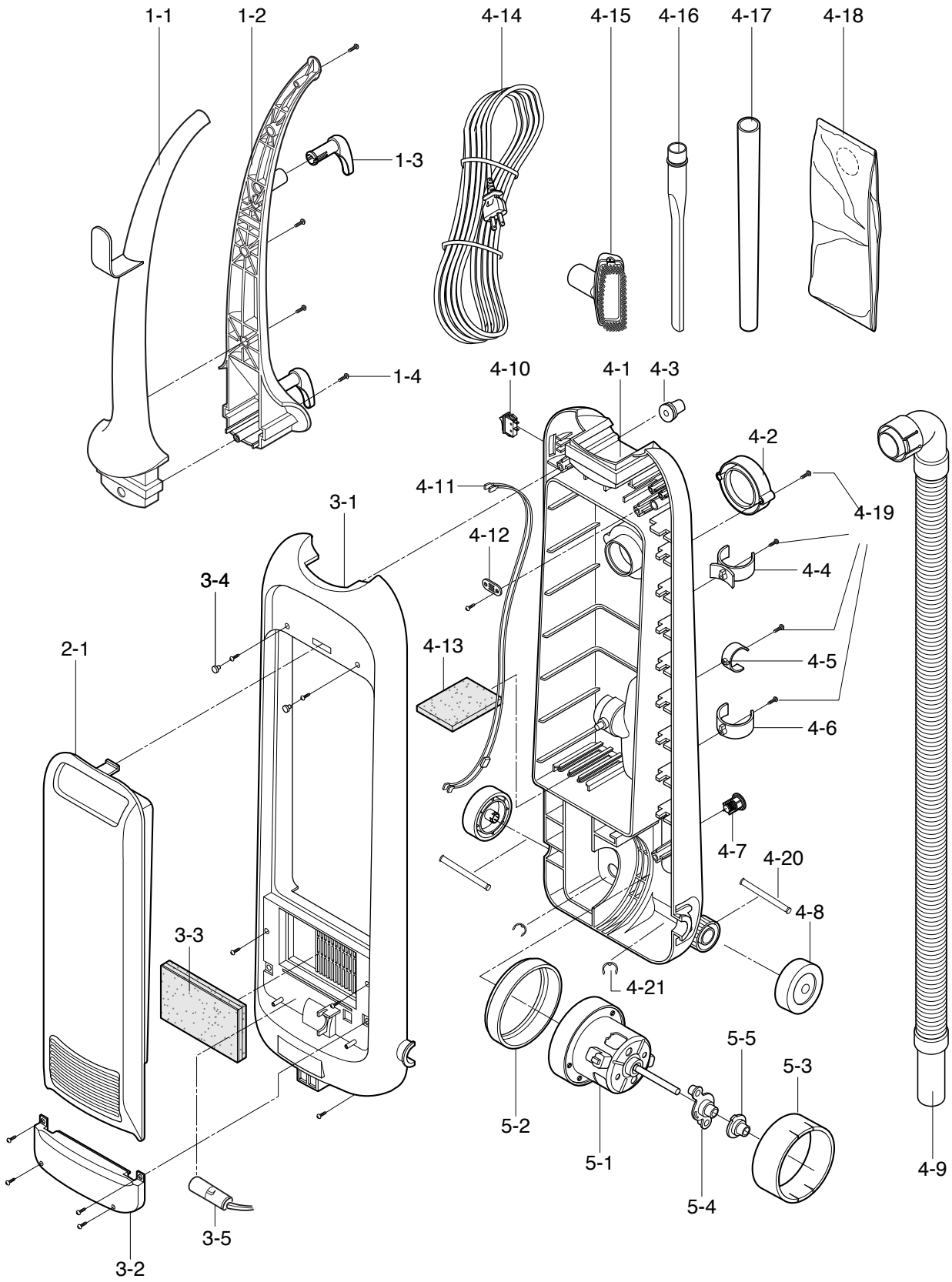
MODEL 721.36078600

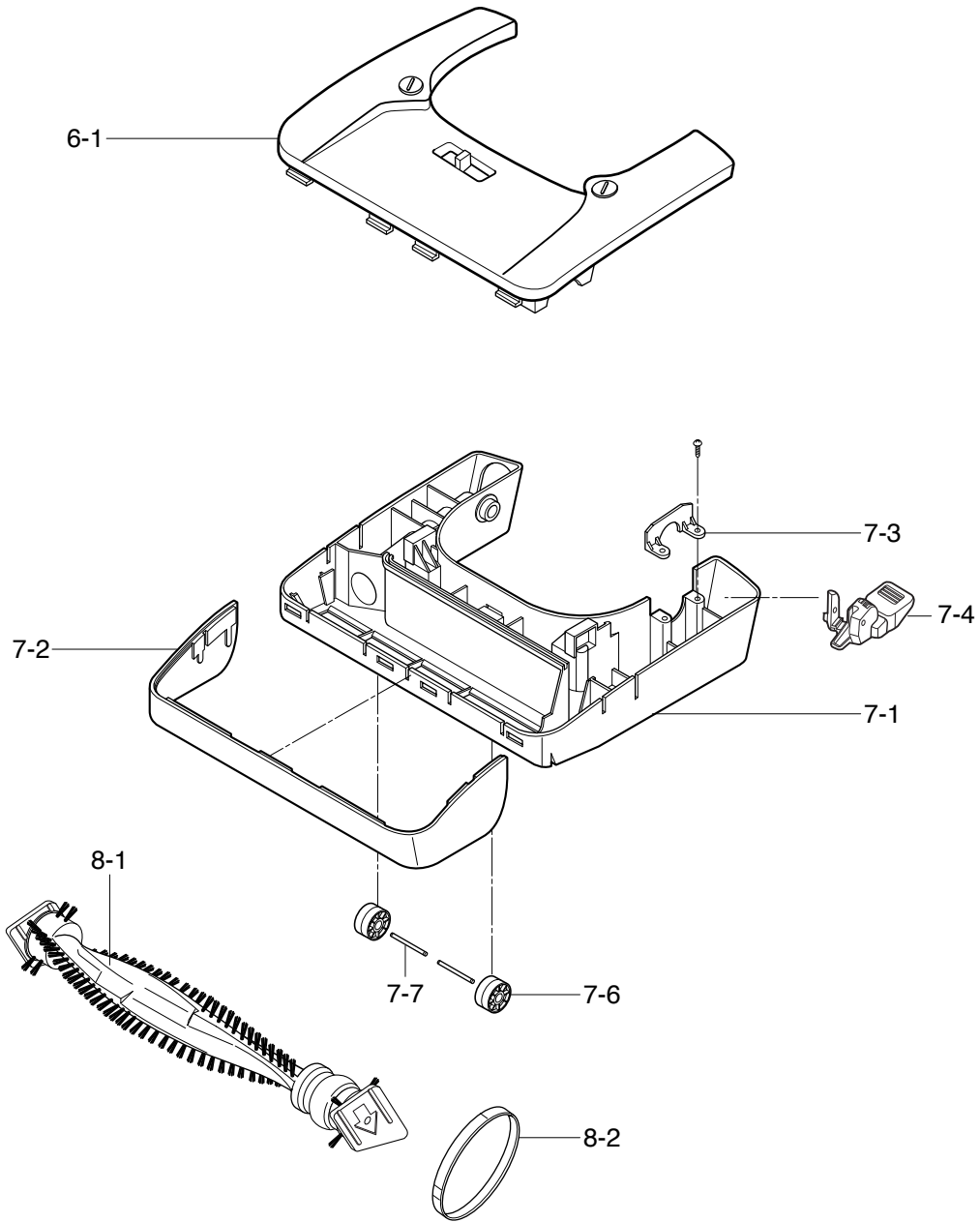
MODEL 721.33189, 721.33289



# EXPLODED VIEW

MODEL 721.36078600





LOCATION NO.	PART NO.	DESCRIPTION	SEARS NO.
1-1	3650FI1503B	HANDLE, UPPER	
1-2	3650FI1504B	HANDLE, LOWER	
1-3	4990FI3033B	HANGER, CORD	
1-4	1TPL0403116	SCREW TAPPING, PAN HEAD	
2-1	3550FI1944A	COVER, DUST	
3-1	3550FI1674C	COVER, BODY	
3-2	3550FI2564B	COVER, TOP	
3-3	5231FI3757B	FILTER ASSY EXHAUST(MICRON FILTER)	86878
3-4	3920FI3837B	PACKING, CAP	
3-5	3525FI4001D	BULB ASSEMBLY	
4-1	3040FI1510C	BASE, BODY	
4-2	5200FI3791B	PIPE, CONNECTOR	
4-3	4830FI3001A	BUSHING, CORD	
4-4	4930FI3803A	HOLDER, HOSE	
4-5	4930FI3805B	ACCESSORY HOLDER	
4-6	4930FI3804B	HOLDER, PIPE	
4-7	4970FI3001F	DAMPER ASS'Y	
4-8	4660FI3752B	WHEEL	
4-9	5215FI1338D	HOSE ASSEMBLY, FLEXIBLE	
4-10	6601FI3487C	SWITCH ASSEMBLY, POWER	
4-11	6631FI2003J	CONNECTOR ASSEMBLY	
4-12	4930FI4669A	HOLDER, CORD	
4-13	5230FI3749B	FILTER, MOTOR SAFETY	
4-14	6641FI2422V	POWER CORD ASSEMBLY	
4-15	5203FI3739E	BRUSH ASS'Y DUST	
4-16	5058FI2214B	TOOL, CREVICE	
4-17	5062FI2058B	WAND	
4-18	5231FI2453F	BAG, DUST	50688
4-19	1TPL0402818	SCREW TAPPING, PAN HEAD	
4-20	4370FI3691B	SHAFT	
4-21	4O80070A	E-RING	
5-1	4681FI2485A	MOTOR ASS'Y VC	
5-2	3920FI3949A	PACKING, MOTOR MOUNTING	
5-3	4I23008B	PACKING, ABSORBING	
5-4	4980FI3736A	SUPPORTER, MOTOR	
5-5	3920FI3890B	PACKING, SEAL	

# REPLACEMENT PARTS LIST

MODEL 721.36078600

LOCATION NO.	PART NO.	DESCRIPTION	SEARS NO.
6-1	3550FI1945A	COVER, NOZZLE	
7-1	3040FI1511B	BASE, HEAD	
7-2	4820FI2402B	BUMPER, HEAD	
7-3	4640FI2004A	STRAP, HEAD	
7-4	3058FI2005B	PEDAL	
7-6	4580FI3005B	WHEEL	
7-7	4370FI4596A	SHAFT	
8-1	5973FI1008A	AGITATOR ASSEMBLY	
8-2	4400FI3348A	BELT	5275

# Get it fixed, at your home or ours!

## Your Home

For repair - **in your home** - of **all** major brand appliances, lawn and garden equipment, or heating and cooling systems, **no matter who made it, no matter who sold it!**

For the replacement parts, accessories and owner's manuals that you need to do-it-yourself.

For Sears professional installation of home appliances and items like garage door openers and water heaters.

**1-800-4-MY-HOME<sup>®</sup>** Anytime, day or night  
(1-800-469-4663) (U.S.A. and Canada)  
[www.sears.com](http://www.sears.com) [www.sears.ca](http://www.sears.ca)

## Our Home

For repair of carry-in products like vacuums, lawn equipment, and electronics, call or go on-line for the nearest **Sears Parts and Repair Center.**

**1-800-488-1222** Anytime, day or night (U.S.A. only)  
[www.sears.com](http://www.sears.com)

To purchase a protection agreement (U.S.A.) or maintenance agreement (Canada) on a product serviced by Sears:

**1-800-827-6655** (U.S.A.) **1-800-361-6665** (Canada)

Para pedir servicio de reparación a domicilio, y para ordenar piezas:

**1-888-SU-HOGAR<sup>®</sup>**  
(1-888-784-6427)

Au Canada pour service en français:

**1-800-LE-FOYER<sup>MC</sup>**  
(1-800-533-6937)  
[www.sears.ca](http://www.sears.ca)



P/No.: 3828FI5859G

© Sears Brands, LLC

® Registered Trademark / ™ Trademark / ℠ Service Mark of Sears Brands, LLC

® Marca Registrada / ™ Marca de Fábrika / ℠ Marca de Servicio de Sears Brands, LLC

MC Marque de commerce / MD Marque d'ÉposÉE de Sears Brands, LLC