

ZANUSSI

DISHWASHER
IT 5614

Contents

For the user

Important safety information	3
Description of the appliance	4
The control panel	4
Before use	5
Setting the water hardness	5
Rinse aid	7
Using your appliance	8
Loading your appliance	8
Adjusting the height of the upper basket	9
Use of detergent	10
Hints and tips	11
Washing programmes	12
Operating sequence	13
Maintenance and cleaning	14
Internal cleaning	14
Cleaning the filters	14
External cleaning	15
Prolonged periods of non-operation	15
Frost precautions	15
Moving the machine	15
Something not working	16
Service and spare parts	17
Protection against flooding	17
Hints for test centres	18
Technical specifications	18

For the installer

Installation instructions	19
Water supply connections	19
Water outlet hose connection	20
Electrical connection	20
Building-in	21

Guide to use the instruction book

The following symbols will be found in the text to guide you throughout the instructions:



Safety instructions

1. 2. 3.

Step by step



Hints and tips



Environmental information



Important safety information

It is most important that this instruction book should be retained with the appliance for future reference. Should the appliance be sold or transferred to another owner, or should you move house and leave the appliance, always ensure that the book is left with the appliance in order that the new owner can get to know the functioning of the appliance and the relevant safety information.

This information has been provided in the interest of your safety. You MUST read it carefully before installing or using the appliance.

Installation

- This appliance is heavy. Care should be taken when moving it.
- It is dangerous to alter the specifications or attempt to modify this product in any way.
- Care must be taken to ensure that the appliance does not stand on the electrical supply cable.
- Any electrical work required to install this appliance should be carried out by a qualified electrician or competent person.
- Any plumbing work required to install this appliance should be carried out by a qualified plumber or competent person.

Child Safety

- This appliance is designed to be operated by adults. Children should not be allowed to tamper with the controls or play with the product.
- Keep all packaging well away from children.
- Keep all detergents in a safe place out of children's reach.


During Use

- Items that are contaminated by petrol, paint, steel or iron debris, corrosive, acidic or alkaline chemicals must not be washed in this dishwasher.
- Under no circumstances should you open the door whilst the appliance is in operation. Always turn off the appliance before opening the door.
- Only use detergent specifically designed for use in dishwashers.
- Long bladed knives stored in an upright position are a potential hazard.
- Long and/or sharp items of cutlery such as carving knives must be positioned horizontally in the upper basket.
- When finishing loading or unloading close the door, as an open door can be a hazard.

- Do not sit or stand on the open door.
- Isolate the appliance from the power supply and turn off the water supply after use.
- Care should be taken when cleaning the bottom door seal and hinge area as any exposed metal edges may cut if care is not taken.
- This product should be serviced by an authorised Service engineer, and only genuine spare parts should be used.
- Under no circumstances should you attempt to repair the machine yourself. Repairs carried out by inexperienced persons may cause injury or serious malfunctioning. Contact your local Service Force Centre. Always insist on genuine spare parts.

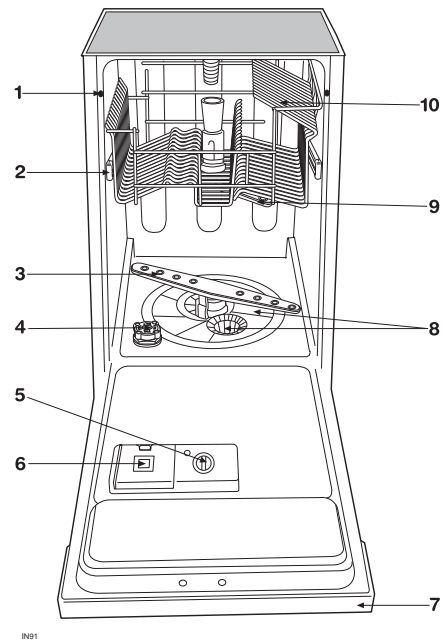
Conservation

In the interest of the environment:

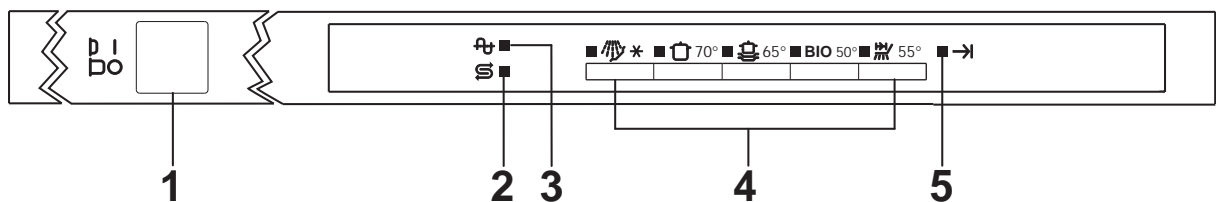
- Materials marked with the symbol  are recyclable.
- Check with your local Council or Environmental Health Office to see if there are facilities in your area for re-cycling this appliance.
- When the appliance is to be scrapped, cut off the power supply cable and make the door closing device unusable to prevent young children from being trapped inside.
- Help to keep your country tidy - use authorised disposal sites for your old appliance.

Description of the appliance

1. Levelling spacers
2. Upper basket stop
3. Lower spray arm
4. Salt container
5. Rinse aid dispenser
6. Detergent dispenser
7. Control panel
8. Filters
9. Upper spray arm
10. Upper basket



The control panel



1. On/Off push button
2. Salt indicator light
3. On/Off indicator light
4. Programme selector buttons
5. End of cycle indicator light

Audible signals have been introduced to help indicate which operations the dishwasher is performing.

Short signal "instruction accepted"

When any of the push buttons are pressed, a short audible signal informs you that the machine has accepted the instruction given.

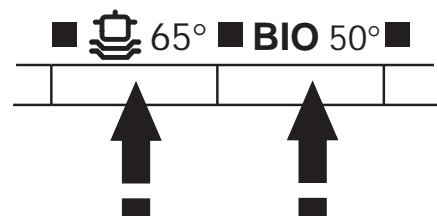
Long signal "programme starting"

A continuous audible signal, heard only when you close the dishwasher door, informs you that the washing programme is starting.

Intermittent signal "end of programme"

An intermittent audible signal, informs you that the wash programme has ended.

If you wish to deactivate these audible signals, press both "Normal 65°" and "BIO 50°" programme buttons simultaneously for about 3 seconds, until the intermittent audible signal can no longer be heard.



If you wish to reactivate these audible signals, press both "Normal 65°" and "BIO 50°" programme buttons simultaneously for about 3 seconds, until the intermittent audible signal is heard.

Before use

Before using your dishwasher for the first time:

1. Ensure that the electrical and water connections comply with the installation instructions
2. Remove all packaging from inside the appliance
3. Set the water softener
4. Pour half a litre of water inside the salt container and then fill with salt
5. Fill the rinse aid dispenser.

Setting the water softener

The dishwasher is equipped with a water softener designed to remove minerals and salts from the water supply, which would have a detrimental or adverse effect on the operation of the appliance.

The higher the content of these salts, the harder your water is.

Water hardness is measured in equivalent scales, German, French degrees and PPM (parts per Million).

The softener should be adjusted according to the hardness of the water in your area. Your local Water Authority can advise you on the hardness of the water in your area.

The dishwasher is factory set at level 2.

If this level is not suitable for your area the softener should be adjusted.





You may change the factory level setting by means of the wash programme selector push buttons. each push button corresponds to a different level.

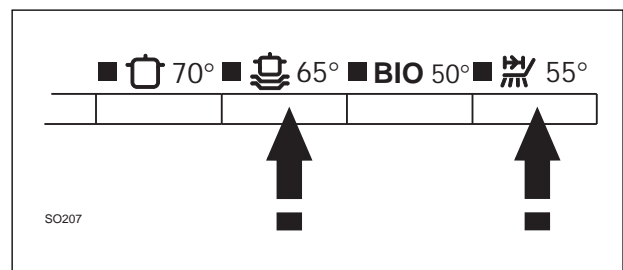
To select a different level proceed as follows:

1. Press the "Normal 65°" and "Quick 55°" programme push buttons simultaneously until you hear the audible signal of "instruction accepted". The pilot light corresponding to the current level flashes.
2. Press the programme push button corresponding to the required level.
3. 5 seconds after the last pressure of a push button, the dishwasher will memorise the new level setting and will return to programme setting mode.

Water hardness			Level	Use of salt
German degrees (°dH)	French degrees (°TH)	PPM (Parts per Million)		
0 - 4	0 - 7	0 - 140	1	NO
5 - 21	8 - 39	141 - 390	2	YES
22 - 28	40 - 50	391 - 500	3	YES
29 - 39	51 - 70	501 - 700	4	YES
40 - 50	71 - 90	701 - 900	5	YES

i If your water hardness is below level 1 it is already soft and therefore there is no need to use salt. In this case adjust the water softener on level 1 without using salt. The salt indicator light on the control panel will always remain off.

Level 1 = "Rinse and hold" push button	
Level 2 = "Intensive 70°" push button	 70°
Level 3 = "Normal 65°" push button	 65°
Level 4 = "Bio 50°" push button	BIO 50°
Level 5 = "Quick 55°" push button	 55°



Rinse aid

Rinse aid is automatically added during the last rinse, ensuring thorough rinsing, and spot and streak free drying. The dispenser, which is positioned inside the door, holds about 110 ml of rinse aid, which is sufficient for 16 - 40 dishwashing programmes, depending upon the dosage setting.

Filling with rinse aid

1. Open the container by turning the lid (A) anticlockwise.
2. Add the rinse aid until the container is completely full. The indicator (B) will be completely dark.
3. Top up the rinse aid when the indicator (B) becomes clear.

Ensure that the lid is closed after every refill.

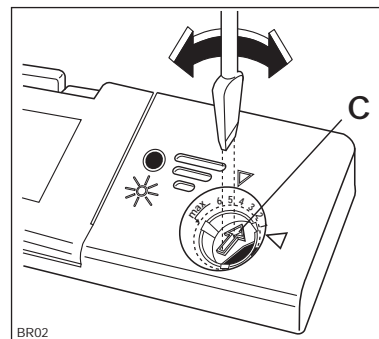
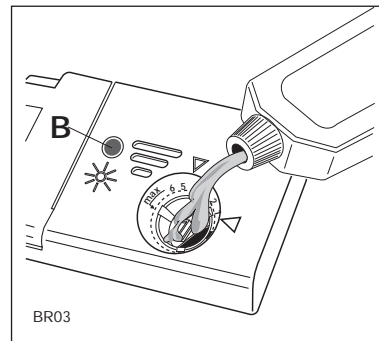
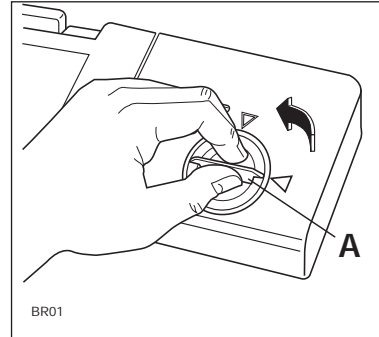
Do not put liquid detergent in the rinse aid compartment. Clean up any rinse aid spilt during filling with an absorbent cloth to avoid excess foaming during the next wash.

Adjusting the dose

According to the finish and drying results obtained, adjust the dose of rinse aid by means of the 6 position selector (C) (position 1 minimum dosage, position 6 maximum dosage).

Start from position 3.

Gradually increase the dose if there are drops of water or lime spots on the dishes after washing. Reduce it if there are sticky whitish streaks on the dishes.



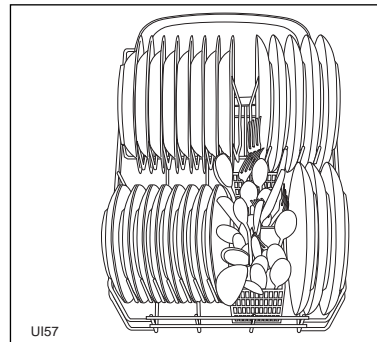
Using your appliance

Loading your appliance

Before placing dishes in the machine, remove any scraps of food, to avoid clogging the filters and consequently reducing the performance.

i Do not load very small items which can fall through the baskets.

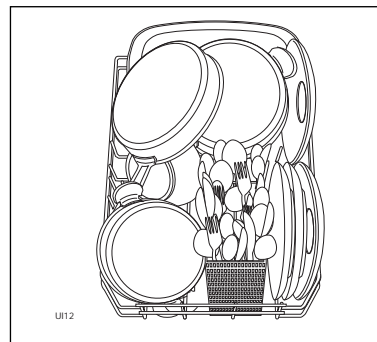
Open the door and slide out the baskets to load the dishes.



The lower basket

The lower basket is designed to take saucepans, lids, plates, salad bowls, cutlery etc.

Serving dishes and large lids should be arranged around the edge of the basket, ensuring that the upper spray arm can turn freely.



The cutlery basket

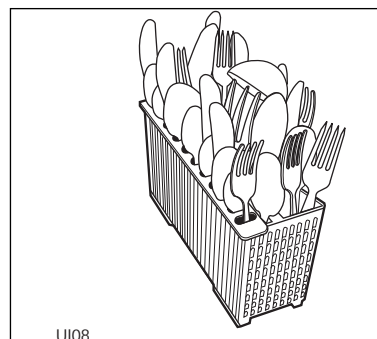
! Long bladed knives stored in an upright position are a potential hazard. Long and/or sharp items of cutlery such as carving knives must be positioned horizontally in the upper basket. Take care when loading or unloading sharp items such as knives.

Cutlery should be placed in the removable cutlery basket with the handles facing downwards. If the handles protrude from the bottom of the basket, obstructing the lower spray arm, load the cutlery with the handles facing upwards.

Mix spoons with other cutlery to prevent them from sticking together.

The cutlery basket can be placed either to the left or to the right of the lower basket.

Arrange spoons, dessert spoons, knives and other small items of cutlery in the rack on the side of the cutlery basket.



The upper basket

The upper basket is designed for plates (dessert plates, saucers, dinner plates of up to 24 cm in diameter), salad bowls, cups and glasses.

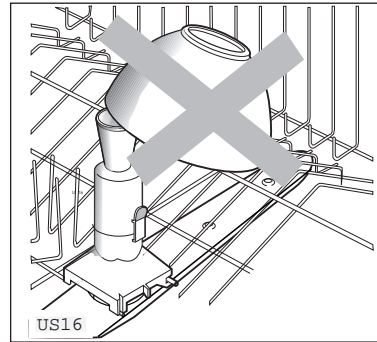
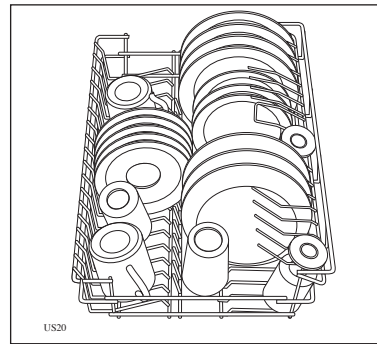
if dishes are loaded in the upper basket, tilt them forwards.

Arrange items on and underneath the fold-down cup racks so that water can reach all surfaces.

Light items (plastic bowls etc.) should be loaded in the upper basket and arranged so they do not move.

i When loading the dishes, ensure that you do not cover the water inlet funnel in the middle of the upper basket.

i Before closing the door, ensure that the spray arms can rotate freely.



Adjusting the height of the upper basket

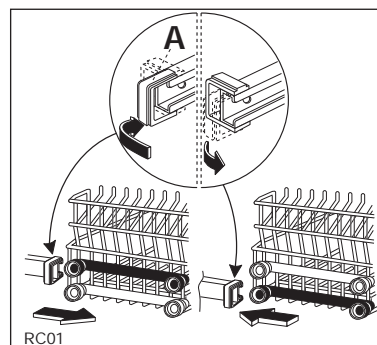
If washing very large plates (over 27 cm and up to 31 cm in diameter) you can load them in the lower basket after moving the upper basket to the higher position.

To move to the higher position proceed as follows:

1. Move the front runner stops (A) of the upper basket outward and slide the basket out.
2. Refit the basket in the higher position and replace the stops (A) in their original position.

i When the top basket is in the higher position it will only take plates up to 20 cm in diameter and you will not be able to use the raised cup racks.

! After loading your machine always close the door, as an open door can be a hazard.

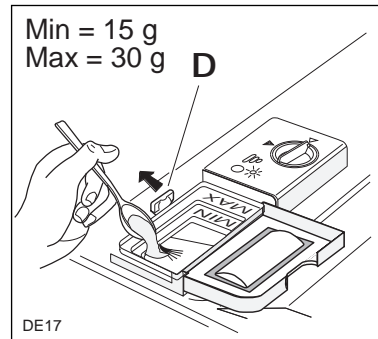


Use of detergent

i Only use detergents specifically designed for use in dishwashers.

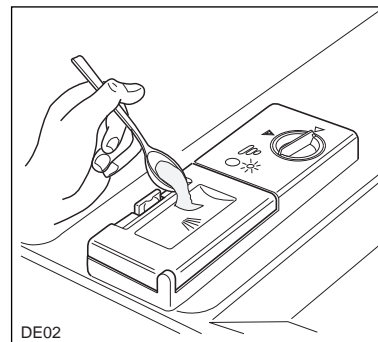
If using powder detergents proceed as follows:

1. Open the dispenser lid by pulling the catch (D).
2. Add the detergent according to the recommended quantity given in the "Washing programmes" chart. As all detergents are not the same, you should consult the instructions on the packet.
3. Always close the lid.
4. If the programme has a prewash add the required detergent over the lid of the dispenser. Follow the recommended quantity of detergent given in the "Washing programmes" chart.



If using detergent in tablets proceed as follows:

1. For all programmes; place 1 tablet inside the detergent dispenser.
2. Always close the lid.
3. For all programmes with prewash; place a portion of a further tablet on the lid of the detergent dispenser.



Insufficient quantities of detergent will produce poor washing results, whereas an excessive amount of detergent will not improve washing results and is also wasteful.

Using no more than the correct amount also contributes to reducing pollution.

Compact detergents with enzymes

In these compact powders the environmentally unfriendly components have been replaced by natural enzymes and other more biodegradable substances.

The enzymes deploy their full dirt dissolving power at a temperature as low as 50°C.

By choosing the "Bio" programmes you can therefore achieve the same cleaning results that would otherwise be achievable only with 65°C programmes and conventional detergents.

These new compact powders are generally phosphate-free.

Hints and tips

To save energy

Place dishes in the machine immediately after every meal and wait until the dishwasher is full before washing.

If necessary run the Rinse and Hold programme (see "Washing Programmes" chart) so that any food scraps do not become caked on the dishes while you are waiting to run the complete wash programme.

Do not prewash dishes under running water.

For best washing results

Before loading, remove all scraps of food and soak very heavily soiled pots and pans.

Arrange saucepans, cups and glasses etc. upside-down.

Tilt items with convex or concave surfaces so that the water drains off easily.

Avoid contact between the dishes as far as possible.

Items not suitable for dishwashers

The following items should not be washed in the dishwasher (unless they are sold as dishwasher proof):

- Cutlery with wooden or horn handles or glued parts
- bronze cutlery
- saucepans with wooden handles
- aluminium ware
- crystal ware
- leaded glass
- plastic items
- antique or fine decorated china

Certain types of decoration can discolour when washed in a dishwasher.

Crystal-ware and plastic objects, if not guaranteed dishwasher proof should be washed by hand.

Certain types of glass can also become opaque after being washed several times in a dishwasher.

A chemical reaction can occur between silver cutlery and stainless steel cutlery. As a precaution, do not wash together.

Iron and cast iron objects can rust and stain other items.





Aluminium tends to go black, copper, pewter and brass tend to stain.



If in doubt check with manufacturer of the item.

When buying new dishes, ensure that they are dishwasher proof.

Washing programmes

Programme	Degree of soil and type of load	Required push buttons	Recommended quantity of detergent		Cycle description
			wash	prewash	
Rinse and Hold	Any. Partial load (to be completed later in the day).	On Off 	/	/	1 cold rinse (to avoid food scraps from sticking together).
Intensive 70°	Heavy soil. Crockery, cutlery, pots and pans	On Off 	20 g	10 g	Hot prewash Main wash up to 70°C 2 cold rinses 1 hot rinse Drying
Normal 65° with prewash	Normal soil. Crockery and cutlery	On Off 	20 g	5 g	Cold prewash Main wash up to 65°C 1 cold rinse 1 hot rinse Drying
* BIO 50° with prewash	Normal soil. Crockery and cutlery	On Off BIO 50°	20 g	5 g	Cold prewash Main wash up to 50°C 1 cold rinse 1 hot rinse Drying
** Quick wash 55°	Light soil. Crockery and party crockery	On Off 	25 g	/	Main wash up to 55°C 1 cold rinse 1 hot rinse

* Testing programme for EN 50242 (see "Hints for Test Centres").

** This is a special programme for quick washing a full load of lightly soiled dishes, glasses and crockery (except pots) so that you may re-use them promptly.

Operating sequence

1. Check the filters

Ensure they are clean and properly positioned (see "Maintenance and cleaning").

2. Press the On/Off push button

The On/Off indicator light comes on.

3. Check that there is salt and rinse aid

4. Load the dishes

Remove any scraps of food.

Pull the lower basket out and arrange the saucepans, plates and cutlery in it.

Pull the upper basket out and arrange the plates, saucers, glasses and cups etc. in it.

Slide the baskets back into the machine.

5. Ensure that the spray arms can rotate freely.

6. Measure out detergent

Add the required amount of detergent into the dispenser according to the dosage quantity given in the "Washing programmes" chart.

Close the detergent dispenser lid.

7. Set the programme

The selection of the programme occurs with the door partially opened.

Depress the programme button which corresponds to the washing programme you wish to select, the corresponding indicator light will flash.

8. Start the programme

Close the dishwasher door. An audible signal advises you that the programme has started. The indicator light which corresponds to the programme under way is now permanently on.

9. At the end of the washing programme

At the end of the programme the dishwasher will stop automatically and an intermittent audible signal informs you that the programme has finished.

The "End of Cycle" indicator light starts flashing.

The On/Off indicator light remains on until the "On/Off" push button is depressed.

10. Switch off the dishwasher

Open the door and switch off the dishwasher by pressing the "On/Off" push button.

Wait a few minutes before removing the dishes; in this way they will be cooler and the drying will be improved.

Empty the lower basket first and then the upper one; this will avoid water dripping from the upper basket onto the dishes in the lower one.



When the washing programme has finished, it is recommended that the dishwasher is unplugged and the water tap turned off.

In general it is not advisable to open the door while the machine is working; if the door is opened however, a safety device ensures that the machine stops.



Important!

Care must be taken if the door is opened during the hot phase or immediately after a programme has finished, as steam may escape.

How to cancel a wash programme

- **If the door has not been closed and the wash programme has not started**, to cancel the programme simply press the push button of a different wash programme.
- **To change a wash programme in progress**, open the door and press the push button corresponding to the programme under way for about 1 second, the relevant indicator light turns off.

The dishwasher is now reset and you can select a new programme.

Maintenance and cleaning

Internal cleaning

Ensure that the seals around the door, the detergent and rinse aid dispensers are cleaned regularly with a damp cloth.

We recommend every 3 months to run a 65°C wash without dishes using detergent.

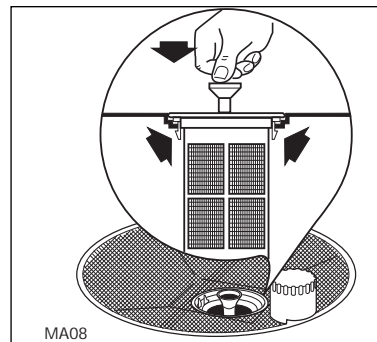
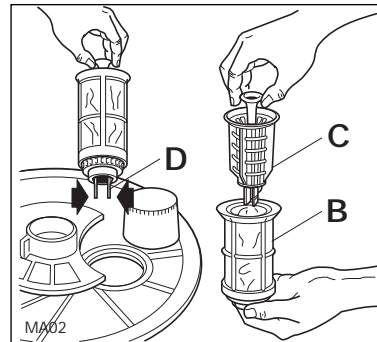
Cleaning the central filters

(After each wash)

Inspect the central filters (B) and (C) and remove any scraps of food with a brush, under running water.

Filters (B) and (C) are both removed by lifting up the outer one (B) (pulling the central funnel upwards); the smaller filter (C) can be removed by pressing the two tongues (D).

Once cleaned, refit the filters by pressing them down until they click into place.

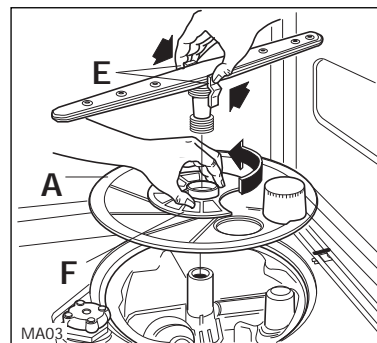


Cleaning the large filter

(Once a month)

Clean the large filter (A) on both sides under running water, using a brush.

To take it out, remove the spray arm by pressing the two tongues (E), turn the ring (F) anticlockwise and then slide the whole part out. Refit the filter following the above instructions in reverse order.



i The dishwasher must not be used without filters. Incorrect repositioning and fitting of the filters will produce poor washing results. Cleaning the filters is vital to ensure correct operation of the machine.

External cleaning

Clean the external surfaces of the machine and control panel with a damp soft cloth. If necessary use only neutral detergents. Never use abrasive products, scouring pads or solvent (acetone, trichloroethylene etc....).

Prolonged periods of non-operation

If you are not using the machine for any period of time you are advised to:

1. Unplug the appliance and then turn off the water.
2. Fill the rinse aid dispenser.
3. Leave the door ajar to prevent the formation of any unpleasant smells.
4. Leave the inside of the machine clean.

Frost precautions

Avoid placing the machine in a location where the temperature is below 0°C. If this is unavoidable, empty the machine, close the appliance door, disconnect the water inlet pipe and empty it.

Moving the machine

If you have to move the machine (moving house etc....):

1. Unplug it.
2. Turn the water tap off.
3. Remove the water inlet and discharge hoses.
4. Pull the machine out together with the hoses.

Avoid over tilting the machine during transportation.

Something not working

Certain problems are due to lack of simple maintenance or oversights, which can be solved easily without calling out an engineer.

The dishwasher is fitted with a number of alarm systems which can help you to quickly determine the cause of any problems.

The dishwasher will not start or stops during operation, all push buttons are inoperative except for the On/Off push button. All lights are off except the On/Off indicator light and one of the programme indicator lights starts flashing.

Press the On/Off push button to switch off the dishwasher and carry out the following suggested corrective actions listed below.

Once the checks have been carried out switch on the dishwasher and start a washing programme, if the alarm reappears, contact your local Service Force Centre.

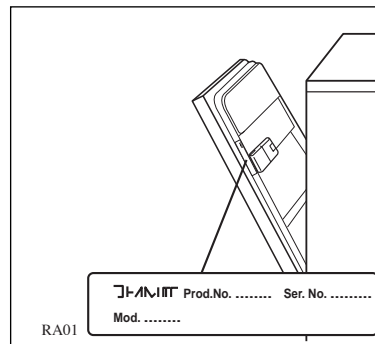
Symptom	Fault code	Solution
The machine will not start		<ul style="list-style-type: none"> ● The door has not been properly closed. ● The plug is not properly inserted in the power socket. ● There is a power failure.
The machine does not fill with water	"Rinse and Hold" programme indicator light flashes	<ul style="list-style-type: none"> ● Ensure the water tap is open. ● Ensure the mains water supply has not been cut off. ● The inlet hose may be squashed or bent. Reposition the hose. ● The inlet hose may be blocked. Switch off the water supply and clean the filter.
The filters are blocked	"Intensive 65°" programme indicator light flashes	Clean the filters (refer to "Maintenance and cleaning").
The dishwasher will not drain	"Quick wash 55°" programme indicator light flashes	<ul style="list-style-type: none"> ● The drain hose may be squashed or bent. Reposition the hose. ● The sink may be blocked. Clear any blockages. ● The drain hose extension is not correct. Follow the instructions for connecting to the waste. ● There is no vent in the end of the drain hose.
General	"Normal 65°" or "BIO 50°" indicator light flashes	<ul style="list-style-type: none"> ● Switch off the dishwasher. Switch it back on and start the programme. If the alarm reappears, call the local Service Force Centre.
The machine is noisy		<ul style="list-style-type: none"> ● Dishes are rattling against each other, refer to "Loading your machine". ● The spray arms are knocking against the dishes. Refer to "Loading your machine".
The door is difficult to close		<ul style="list-style-type: none"> ● The dishwasher is not level, or not properly built-in.
Visible lime deposits or white film on the dishes		<ul style="list-style-type: none"> ● Check that there is salt and that the salt cap is tight. ● Check that the right level of the water softener is setted.
The dishes are not quite dry		<ul style="list-style-type: none"> ● The rinse aid has run out or too little is being used.
The dishes are not clean (poor wash)		<ul style="list-style-type: none"> ● The baskets are too full. ● The dishes have not been arranged properly. ● The spray arms do not rotate ● The spray arms are clogged. ● The filters are clogged. ● The filters are not in the correct position. ● Not enough detergent has been used or it is unsuitable. ● The detergent is old or has gone hard. ● The salt container cap is not properly closed. ● The washing programme selected is too gentle.

If after all these checks, the problem persists, contact your local Service Force Centre, quoting the model and serial number. This information can be found on the rating plate located on the right hand side of the dishwasher door (see picture).

Service and spare parts



This product should be serviced by an authorised Service engineer, and only genuine spare parts should be used. Under no circumstances should you attempt to repair the machine yourself. Repairs carried out by inexperienced persons may cause injury or serious malfunctioning. Contact your local Service Force Centre. Always insist on genuine spare parts.



Protection against flooding

In order to prevent water floods, the machine has been provided with two additional devices, having the following characteristics:

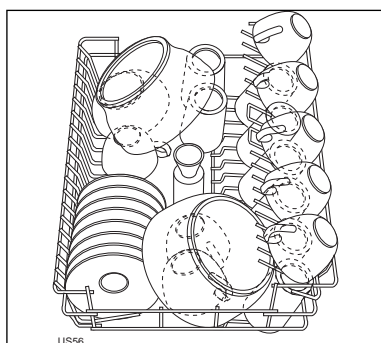
1. In the water inlet hose (see "Water supply connections"). The device comes into operation as a result of any damage to the water inlet hose and stops the water inflow. It functions even with the machine off.
2. In the bottom of the machine to protect against flooding. The device will operate if there are any water leaks in the machine, however it will only operate if the machine is on.

In case of intervention a fault code will appear on the control panel. You are able to recognised by the fact that the indicator light of the "**Rinse and Hold**" programme will start flashing, in this case, turn off the water tap and call the Service Force Centre.

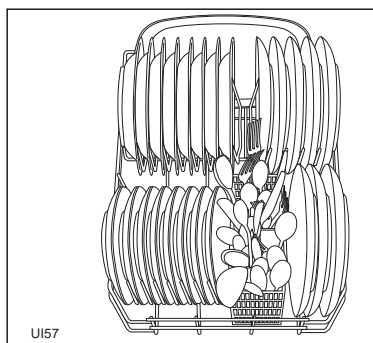
Hints for test centres

Before starting any test it is necessary to fill completely with salt the salt container and with rinse aid the rinse aid dispenser.

Test standard	EN 50242
Reference programme:	BIO 50° with prewash
Load:	8 standard place settings
Rinse aid selector:	position 4
Detergent dosage :	20 g in the dispenser 5 g on the dispenser lid



Arrangement
upper basket



Arrangement
lower basket

Technical specifications

DIMENSIONS	Width	44.6 cm
	Height	81.8 - 87.8 cm
	Max depth	55 cm
	Max depth with open door	111.4 cm
ELECTRICAL CONNECTION MOTOR RATING DURING WASH POWER OF HEATING ELEMENT OVERALL POWER	Voltage	220/230 V - 50 Hz
		200 W
		2800 W
		3000 W
WATER SUPPLY PRESSURE	Minimum	50 kPa (0.5 bar)
	Maximum	800 kPa (8 bar)
CAPACITY		8 place settings

Installation instructions

Remove all packaging before positioning the machine.

If possible, position the machine next to a water tap and a drain.

Water supply connections

This dishwasher may be fed with either hot (max. 60°) or cold water.

Nevertheless we advise you a cold water supply. A hot water supply is not always efficient with very soiled crockery as it shortens the washing programmes a lot.

The water pressure must be within the limits given in the technical specifications.

Your local Water Authority will advise you on the average mains pressure in your area.

The dishwasher features fill and drain hoses which can be turned either to the left or the right to suit the installation.

The locknut must be correctly fitted to avoid water leaks.

Avoid bends or kinks in the hose which could prevent or slow down the water supply.

If the machine is connected to new pipes or pipes which have not been used for a long time, you should run the water for a few minutes before connecting the inlet hose. This will prevent deposits of sand or rust clogging the inlet hose filter.

For making the connection itself, the coupling nut fitted to the machine's supply hose is designed to screw onto either a 3/4 inch gas thread spout, or to a purpose made quick-coupling tap such as the Press-block.

The water supply hose is fitted with a safety device, which prevents water from entering the machine should the inner hose split, due to wear.

The problem is signalled by a red indicator which appears in the window (B - ① ②).

If this happens, close the water tap and have the hose replaced.

The retaining ring (A - ① ②) must be properly fitted so as to avoid water leaks.

Note:

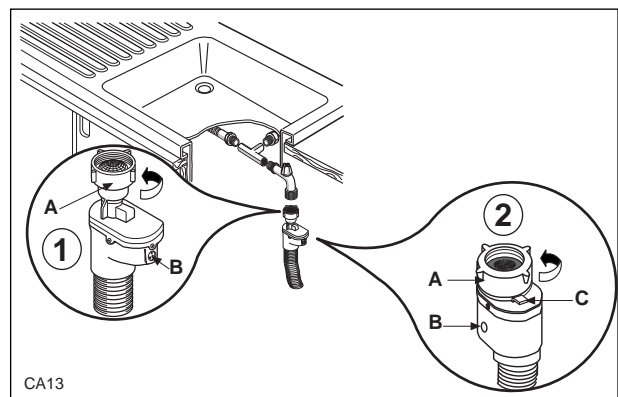
Only for water supply hoses with Lock-fast safety device to prevent inadvertent loosening.

To detach the hose press yellow lever (C - ②) and turn the retaining ring anticlockwise ②.



Any electrical work required to install this appliance should be carried out by a qualified electrician or competent person.

Any plumbing work required to install this appliance should be carried out by a qualified plumber or competent person.



Water outlet hose connection

The end of the drain hose can be connected in the following ways:

1. To the sink outlet siphon, securing it if necessary with a clip.
2. To a stand pipe provided with vent-hole, minimum internal diameter 4 cm.

The waste connection must be at a height of between 30 cm (minimum) and 100 cm (maximum) from the bottom of the dishwasher.

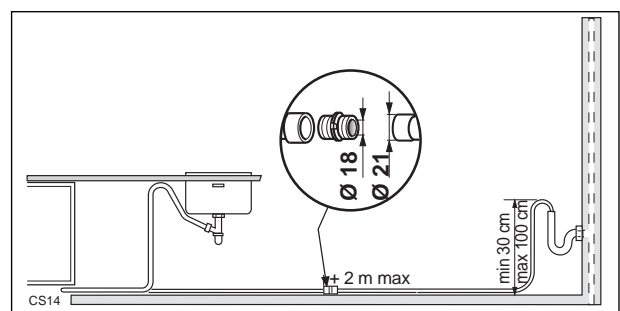
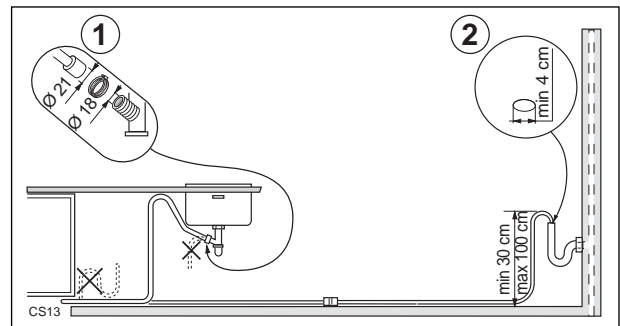
The drain hose can face either to the right or left of the dishwasher

Ensure the hose is not bent or squashed as this could prevent or slow down the discharge of water.

If you use a drain hose extension it must be no longer than 2 metres and its internal diameter must be no smaller than the diameter of the hose provided.

Likewise the internal diameter of the couplings used for connections to the waste outlet must be no smaller than the diameter of the hose provided.

The sink plug must not be in place when the machine is draining as this could cause the water to siphon back into the machine.



Electrical connection

Before plugging the appliance into the wall socket, make sure that:

1. The mains voltage corresponds to the voltage given in the "Technical specifications".
2. The meter, fuses, mains power supply and wall socket can all take the maximum load required. Make sure that the socket and plug are compatible without having to use any type of adaptor. If necessary, have the domestic wiring system socket replaced.



Safety standards require the appliance to be earthed.

The manufacture accepts no liability for failure to observe the above safety precautions.



This appliance complies with the following E.E.C. Directives:

- 73/23 of 19.2.73 (Low Voltage Directive) and subsequent modifications;
- 89/336 of 3.5.89 (Electromagnetic Compatibility Directive) and subsequent modifications.

Building-in

This dishwasher is designed to be fitted under a kitchen counter or worksurface.

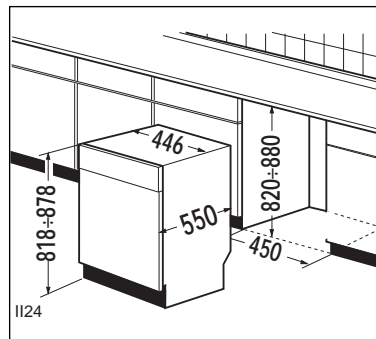
It is essential that the recess dimensions indicated in the diagram are followed.

No further openings for venting of the dishwasher are required, but only to let the water fill and drain hose and power supply cable pass through.

The recess height may be anywhere between 820 and 880 mm from the floor as the dishwasher incorporates adjustable feet (max 60 mm).

A distance of 2 mm should be allowed between the top of the dishwasher and the counter top.

Insert the machine after adjusting height and levelling with the adjustable feet. When inserting the machine, ensure that the water inlet and drain hoses are not kinked or squashed.



Levelling

Good levelling is essential for correct closure and sealing of the door. When the appliance is correctly levelled, the door will not catch on the levelling spacers, either side of the cabinet.

If the door does not close correctly, loosen or tighten the adjustable feet until the machine is perfectly level.

The furniture door

The door on this appliance is designed for the overlay of a panel having the following dimensions:

Width	446 mm
Height	644 - 714 mm max
Thickness	20 mm max
Weight	1.5 - 6 kg max

The height of the panel depends on the height of adjacent kitchen units (see kitchen plinth adjustment).

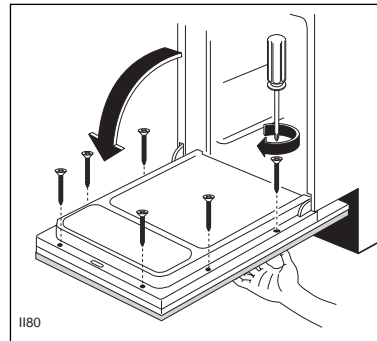
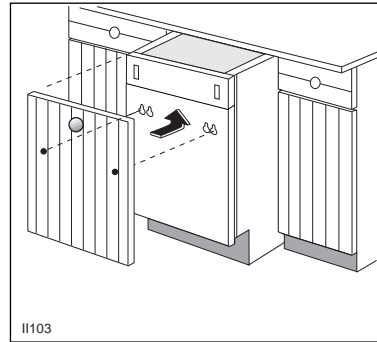
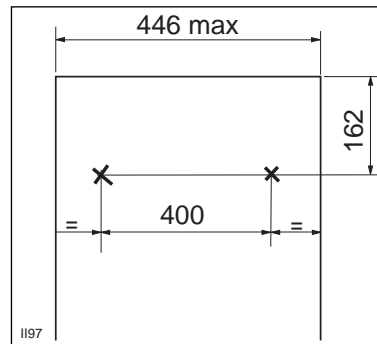


The panel height should be no more than indicated, otherwise complete opening of the door will not be possible as the furniture door panel will hit against the dishwasher plinth.

Mounting the furniture door onto the door

The panel must be fitted with a handle, as the dishwasher handle will be hidden by the panel.

1. Drill the panel with a $\varnothing 2 \times 14$ bit according to the dimensions given in the picture.
2. Screw the two fastening pivots in the holes indicated in the picture.
3. Mount the decor panel by inserting the two fastening pivots into the slotted holes of the door. Lift the decor panel until perfect alignment with the fascia panel is obtained.
4. Once the correct position has been found, open the door and fasten the decor panel by means of the six 4 x 40 screws provided, using the holes through the inner door.

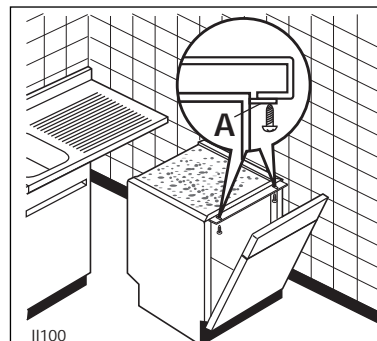


Securing under a counter

Secure the dishwasher to the counter on the front part by means of two 3.5 x 16 screws provided (see fig. - point A).

The dishwasher must be secured against tilting. Therefore, make sure that the counter it is fitted under, is suitably secured to a fixed structure (adjacent kitchen cabinets, wall).

 **Attention!**
The sides of the dishwasher must never be drilled to prevent damage to hydraulic components.



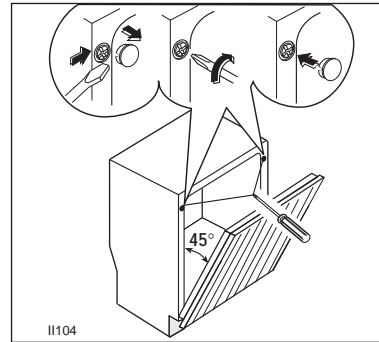
Adjusting the door balance

After fitting the door panel, the adjustment of the door balance may be necessary.

The door of the dishwasher is balanced when it is open in any position.

For this purpose use the two front screws.

- Open the door.
- Remove the caps and screw or unscrew the screws. In this way the tension of the door balancing springs is increased or decreased respectively.
- Insert the caps again.



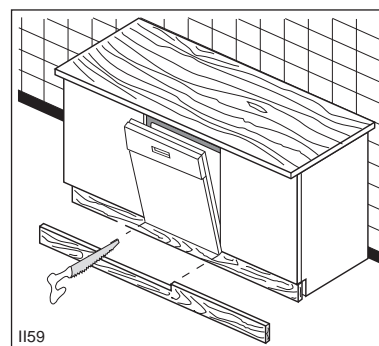
i Important!
The weight of the panel should be within the limits given in "The furniture door" otherwise balancing the door will not be possible

Kitchen plinth adjustment

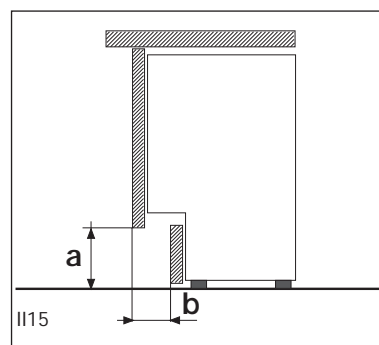
To allow correct opening of the door it is sometimes necessary to cut the kitchen plinth. Refer to the cutting table.

According to dimensions (a) and (b) as shown on the figure, you will find on the following table the depth (x) of the cut to be made on the plinth.

The dimensions (a) and (b) of the table are those most frequently used in the kitchen furnitures.



		Height (a)*								X
		170	160	150	140	130	120	110	100	
Depth (b)*	40	136	131	125	118	110	100	93	85	
	50	135	131	125	118	110	102	92	85	
	60	137	132	125	118	110	102	94	85	
	70	138	134	128	120	110	104	95	85	
	80	/	139	130	124	115	105	98	88	
	90	/	/	138	129	120	110	100	90	
	100	/	/	/	135	125	115	105	95	



(*) dimensions in mm

