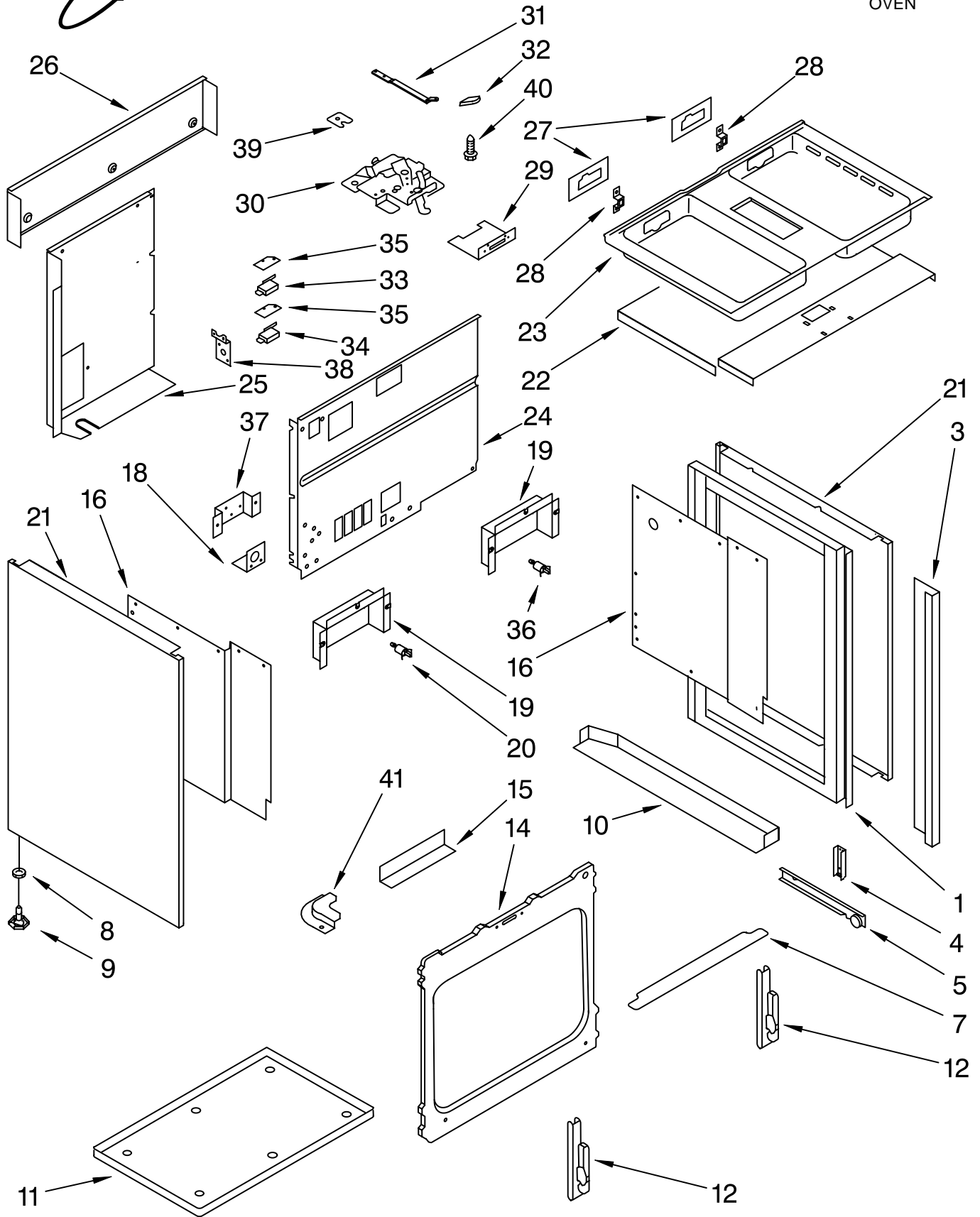




# LOWER OVEN CABINET

For Model: RS373PXWT2

30" ELECTRIC  
DOWNDRAFT  
SELF-CLEAN  
OVEN



FOR ORDERING INFORMATION REFER TO PARTS PRICE LIST

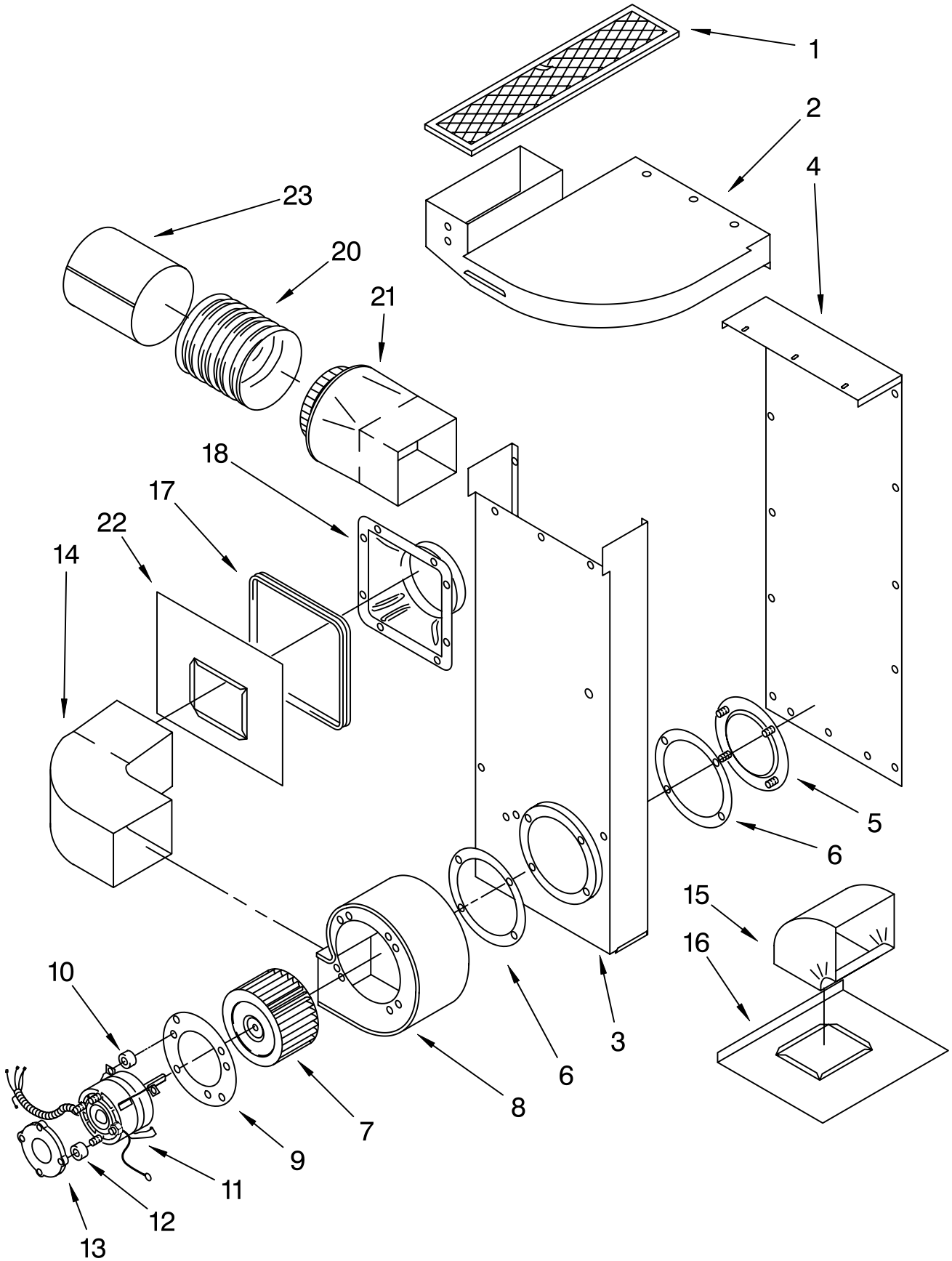
# LOWER OVEN CABINET

For Model: RS373PXWT2

| Illus. No. | Part No. | DESCRIPTION          | Illus. No. | Part No. | DESCRIPTION                | Illus. No. | Part No. | DESCRIPTION                   |
|------------|----------|----------------------|------------|----------|----------------------------|------------|----------|-------------------------------|
| 1          |          | Frame, Side          | 14         | 4362535  | Front Frame                | 28         | 786194   | Bracket, Plug Block (2)       |
|            | 4315113  | L.H.                 | 15         | 4315024  | Heat Shield, Clock         | 29         | 4362599  | Bracket, Mounting Latch       |
|            | 4315112  | R.H.                 | 16         |          | Retainer, Insulation Side  | 30         | 4321025  | Latch, Oven Door              |
| 3          | 4321011  | Trim, Side Panel (2) |            | 4321017  | L.H.                       | 31         | 4320864  | Latch Arm                     |
| 4          | 4321012  | Support, Track (2)   |            | 4321016  | R.H.                       | 32         | 4320863  | Knob Latch                    |
| 5          |          | Track Drawer         | 18         | 4321018  | Bracket, Conduit           | 33         | 786127   | Switch, Latch Upper           |
|            | 4321013  | L.H.                 | 19         | 4321071  | Cover, P.C. Board          | 34         | 786669   | Switch, Latch Lower           |
|            | 4321014  | R.H.                 | 20         | 4315254  | Support, P.C. Board        | 35         | 786380   | Insulator, Latch              |
| 7          | 4315118  | Filler, Front Frame  | 21         |          | Panel, Side                | 36         | 4321026  | Support, Clock P.C. Board (3) |
| 8          | 4157527  | Teenut (4)           |            | 4362585  | R.H.                       | 37         | 4321073  | Bracket, Terminal Board       |
| 9          | 4363180  | Leg, Leveling (4)    |            | 4362588  | L.H.                       | 38         | 786381   | Bracket, Latch                |
| 10         |          | Brace, Bottom        | 22         | 4362603  | Retainer, Top              | 39         | 4321027  | Cover, Latch                  |
|            | 4362935  | L.H.                 | 23         | 4321072  | Burner Box                 | 40         | 786284   | Screw, Latch Knob 8-32 X 5/16 |
|            | 4362923  | R.H.                 | 24         | 4321021  | Retainer, Insulation Rear  | 41         | 4315792  | Anti-Tip Kit                  |
| 11         | 4321070  | Shield, Heat Drawer  | 25         | 4321022  | Cover, Wire Rear           |            |          |                               |
| 12         |          | Hinge, Door          | 26         | 4321023  | Shield, Rear               |            |          |                               |
|            | 786739   | L.H.                 | 27         | 4321024  | Mounting Plate, Plug Block |            |          |                               |
|            | 786374   | R.H.                 |            |          |                            |            |          |                               |

# VENTILATION PARTS

For Model: RS373PXWT2



FOR ORDERING INFORMATION REFER TO PARTS PRICE LIST

# VENTILATION PARTS

For Model: RS373PXWT2

| <b>Illus. No.</b> | <b>Part No.</b> | <b>DESCRIPTION</b>             |
|-------------------|-----------------|--------------------------------|
| 1                 | 4321000         | Filter                         |
| 2                 | 4321053         | Plenum Top                     |
| 3                 | 4321074         | Plenum Rear                    |
| 4                 | 4321054         | Cover, Plenum Rear             |
| 5                 | 4179324         | Orifice                        |
| 6                 | 4179303         | Gasket, Fan Scroll             |
| 7                 | 786155          | Wheel, Blower                  |
| 8                 | 4321055         | Housing, Blower                |
| 9                 | 4314921         | Plate, Motor Mounting          |
| 10                | 786234          | Grommet, Rubber (3)            |
| 11                | 4315281         | Motor Blower                   |
| 12                | 4314926         | Spacer, Motor Cover (4)        |
| 13                | 4314924         | Motor Cover                    |
| 14                | 4321056         | Duct, Wall                     |
| 15                | 4321057         | Duct, Floor                    |
| 16                | 4321058         | Plate, Duct-Floor              |
| 17                | 4321059         | Gasket, Transition Wall-Floor  |
| 18                | 4321060         | Transition, Wall               |
| 20                | 4321061         | Duct Side                      |
| 21                | 786156          | Transition, Side               |
| 22                | 4321063         | Plate, Duct Wall               |
| 23                | 4321062         | Duct, Transition               |
|                   | 786267          | Nut, Motor Cover Retainer (4)  |
|                   | 4314922         | Bolt, Blower Motor (3)         |
|                   | 4314923         | Washer, Blower Motor (3)       |
|                   | 786439          | Nut, Blower Motor Mounting (3) |

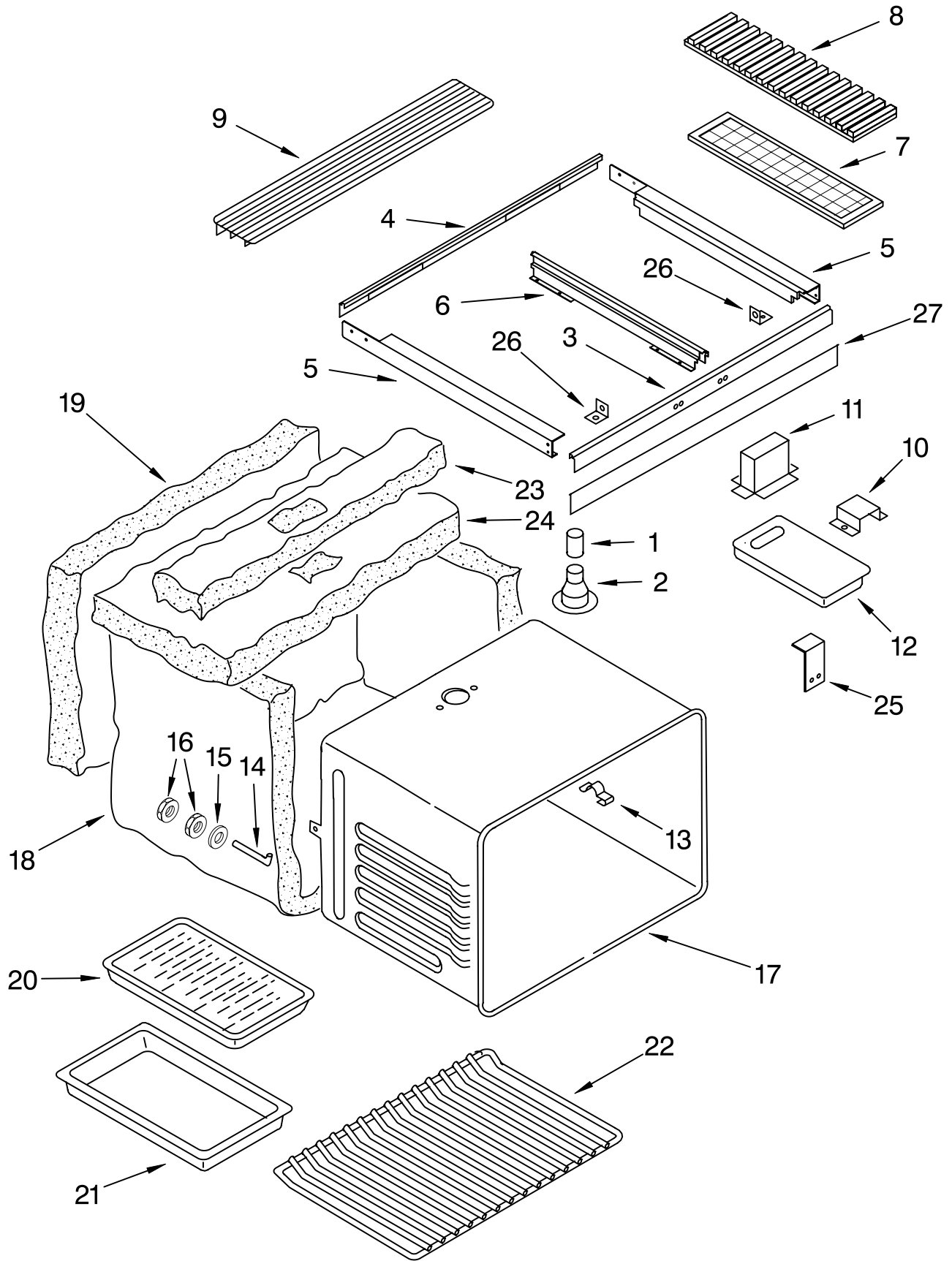
## LITERATURE PARTS

|            |                           |
|------------|---------------------------|
| LIT4320697 | Guide, Use & Care         |
| LIT4320698 | Installation Instructions |
| LIT4321133 | Wiring Diagram            |
| LIT4363198 | Repair Parts List         |

FOR ORDERING INFORMATION REFER TO PARTS PRICE LIST

# MAINTOP AND OVEN PARTS

For Model: RS373PXWT2



FOR ORDERING INFORMATION REFER TO PARTS PRICE LIST

# MAINTOP AND OVEN PARTS

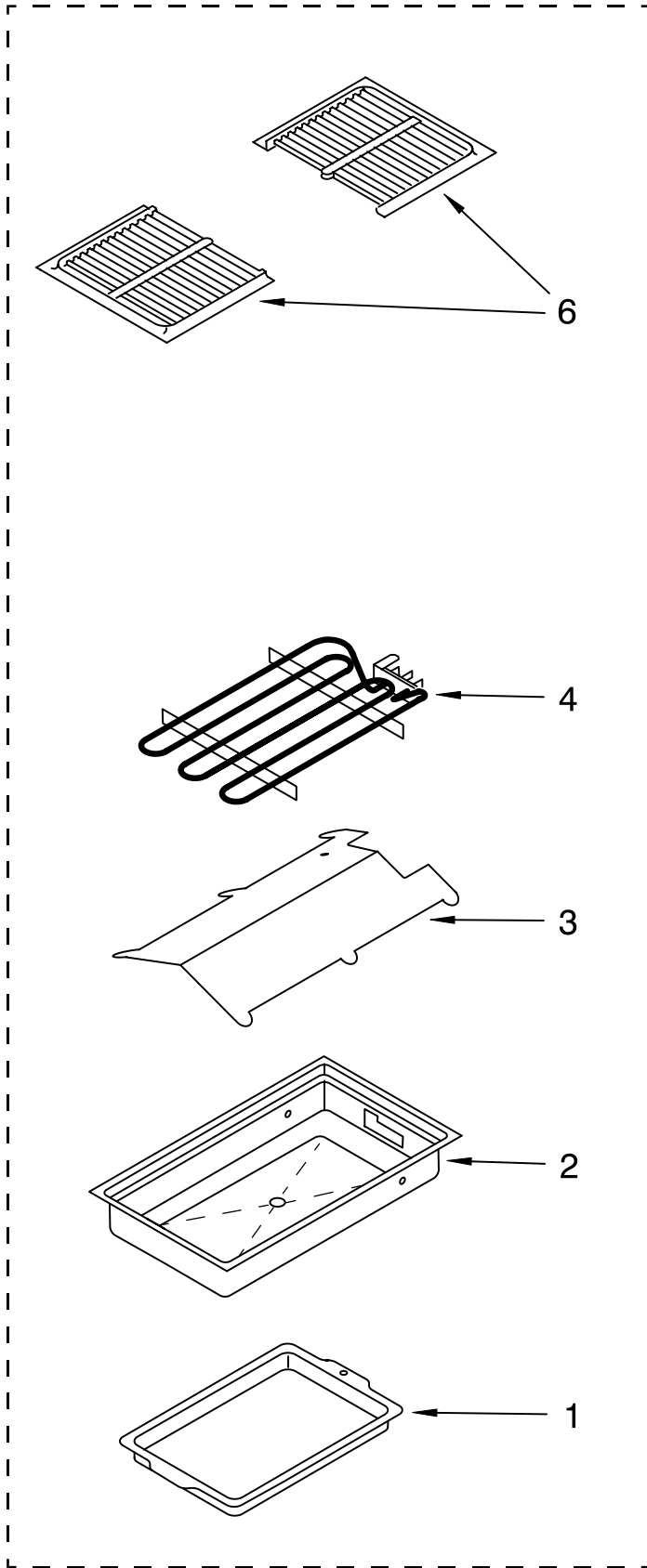
For Model: RS373PXWT2

| <b>Illus. No.</b> | <b>Part No.</b> | <b>DESCRIPTION</b>     |
|-------------------|-----------------|------------------------|
| 1                 | 4315221         | Extension, Vent Tube   |
| 2                 | 4320831         | Eliminator, Smoke      |
| 3                 | 4320998         | Frame, Maintop Front   |
| 4                 | 4321138         | Frame, Maintop Rear    |
| 5                 |                 | Frame, Maintop         |
|                   | 4362591         | L.H. Side              |
|                   | 4362592         | R.H. Side              |
|                   | 4363174         | Trim, Chrome(2)        |
| 6                 | 4320999         | Frame, Maintop Center  |
| 7                 | 4321000         | Filter, Exhaust        |
| 8                 | 4321001         | Cover, Vent            |
| 9                 | 4321137         | Backrail, Lo           |
| 10                | 4321002         | Bracket, Flue Support  |
| 11                | 4315228         | Flue Box, Rear         |
| 12                | 4321003         | Flue Box               |
| 13                | 4363178         | Clip, Thermo-Bulb      |
| 14                | 786350          | Hook-Bolt, Oven Shell  |
| 15                | 786351          | Washer                 |
| 16                | 786352          | Nut, Hex 10-32         |
| 17                | 4362510         | Oven Shell             |
| 18                | 4321005         | Insulation, Wrapper    |
| 19                | 4321006         | Insulation, Back       |
| 20                | 4362695         | Grid, Broiler          |
| 21                | 4315109         | Pan, Broiler           |
| 22                | 786347          | Oven Rack (2)          |
| 23                | 4321007         | Insulation, Door Latch |
| 24                | 4321008         | Insulation, Top        |
| 25                | 4321009         | Bracket, Vent Support  |
| 26                | 4321010         | Bracket, Frame Trim    |
| 27                |                 | Support, Maintop       |
|                   | 4362605         | Front                  |
|                   | 4362606         | Rear                   |

FOR ORDERING INFORMATION REFER TO PARTS PRICE LIST

# ELECTRIC GRILL MODULE

For Model: RS373PXWT2



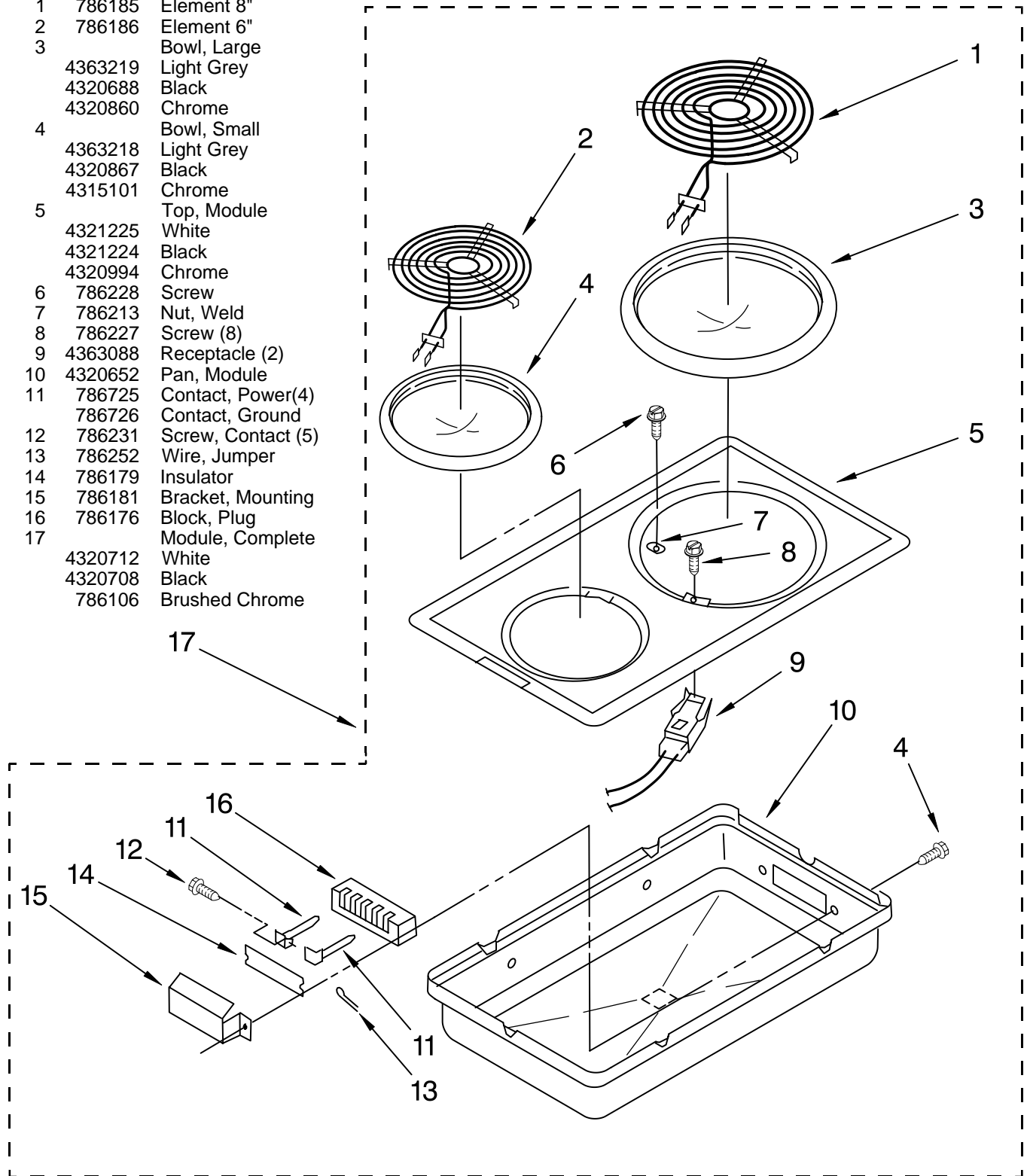
| Illus. No. | Part No. | DESCRIPTION              |
|------------|----------|--------------------------|
| 1          | 786265   | Pan, Grease              |
| 2          | 4320992  | Pan, Module              |
| 3          | 4179156  | Pan, Insert              |
| 4          | 786170   | Element                  |
| 6          | 4157920  | Rack, Grille (2)         |
| 7          | 4320707  | Complete Module<br>Black |
| 8          | 4320993  | Griddle (Optional)       |

FOR ORDERING INFORMATION REFER TO PARTS PRICE LIST

# OPTIONAL ELECTRIC COIL MODULE

For Model: RS373PXWT2

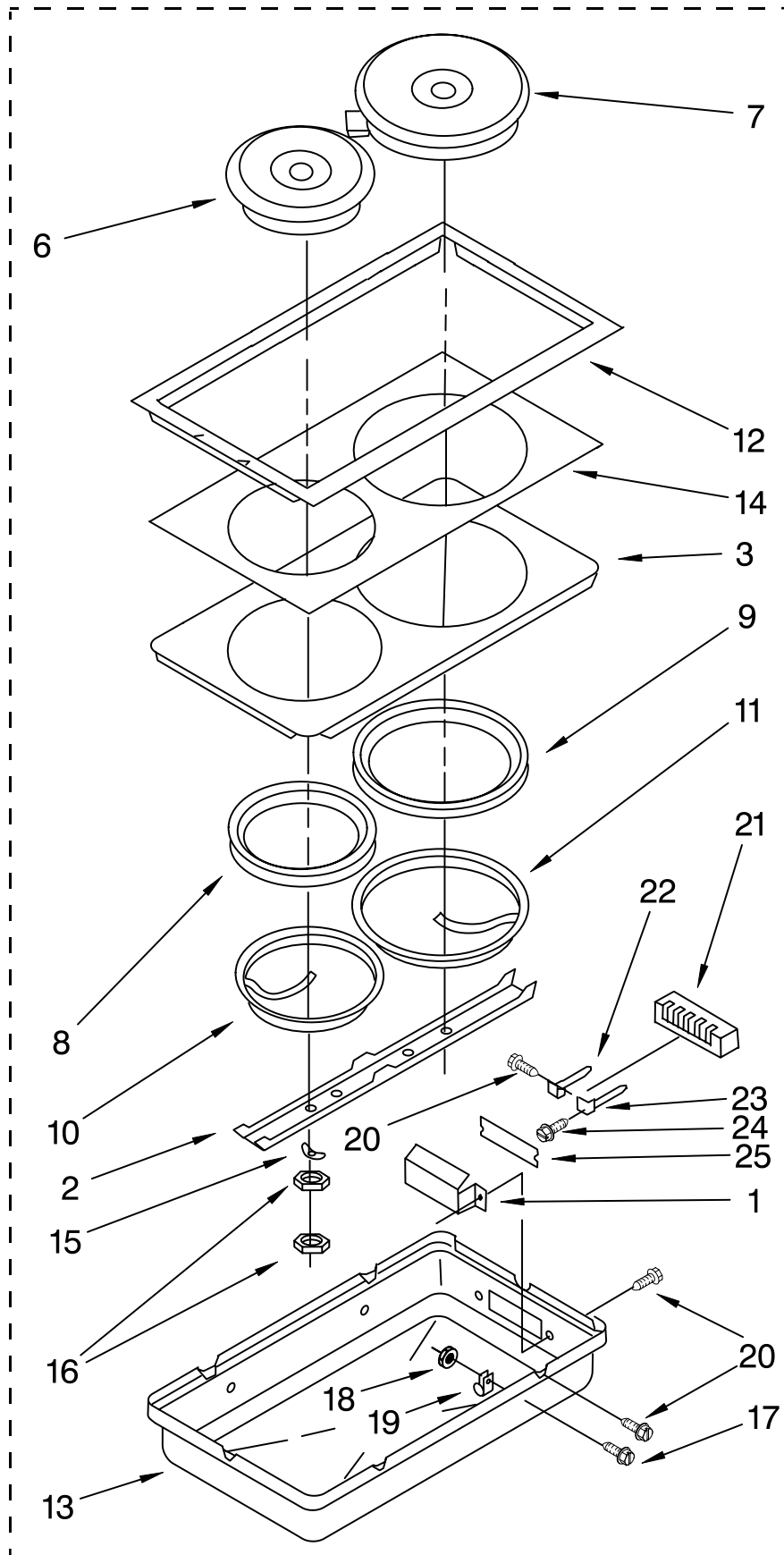
| Illus. No. | Part No. | DESCRIPTION        |
|------------|----------|--------------------|
| 1          | 786185   | Element 8"         |
| 2          | 786186   | Element 6"         |
| 3          |          | Bowl, Large        |
|            | 4363219  | Light Grey         |
|            | 4320688  | Black              |
|            | 4320860  | Chrome             |
| 4          |          | Bowl, Small        |
|            | 4363218  | Light Grey         |
|            | 4320867  | Black              |
|            | 4315101  | Chrome             |
| 5          |          | Top, Module        |
|            | 4321225  | White              |
|            | 4321224  | Black              |
|            | 4320994  | Chrome             |
| 6          | 786228   | Screw              |
| 7          | 786213   | Nut, Weld          |
| 8          | 786227   | Screw (8)          |
| 9          | 4363088  | Receptacle (2)     |
| 10         | 4320652  | Pan, Module        |
| 11         | 786725   | Contact, Power(4)  |
|            | 786726   | Contact, Ground    |
| 12         | 786231   | Screw, Contact (5) |
| 13         | 786252   | Wire, Jumper       |
| 14         | 786179   | Insulator          |
| 15         | 786181   | Bracket, Mounting  |
| 16         | 786176   | Block, Plug        |
| 17         |          | Module, Complete   |
|            | 4320712  | White              |
|            | 4320708  | Black              |
|            | 786106   | Brushed Chrome     |



FOR ORDERING INFORMATION REFER TO PARTS PRICE LIST

# OPTIONAL SOLID ELEMENT MODULE

For Model: RS373PXWT2



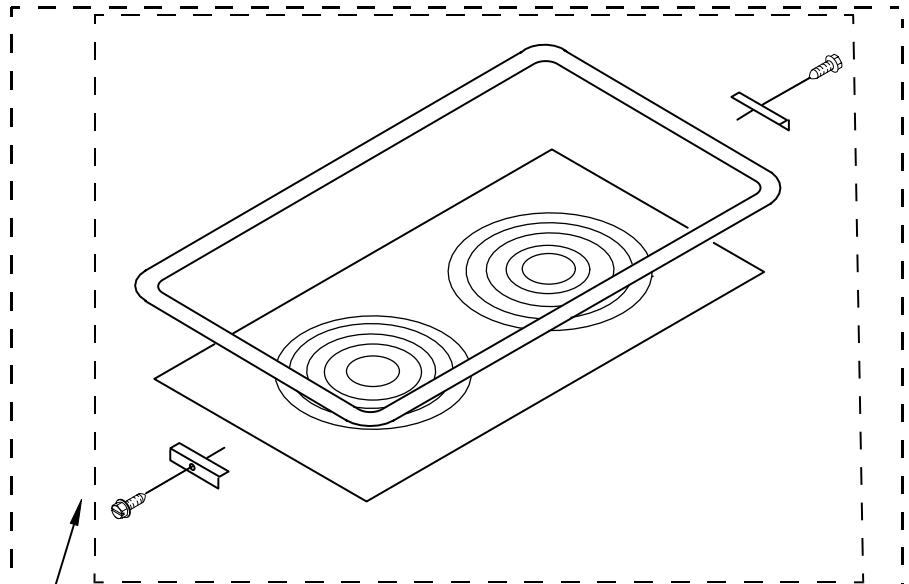
| Illus. No. | Part No. | DESCRIPTION                   |
|------------|----------|-------------------------------|
| 1          | 786707   | Bracket, Plug                 |
| 2          | 786708   | Bracket, Element              |
| 3          | 786709   | Support, Glass                |
| 6          | 4363175  | Element 6"                    |
| 7          | 4363176  | Element 8"                    |
| 8          | 786714   | Gasket Ring 6"                |
| 9          | 786715   | Gasket Ring 8"                |
| 10         | 4320996  | Gasket 6"                     |
| 11         | 4320997  | Gasket 8"                     |
| 12         |          | Trim, Top                     |
|            | 4362527  | White                         |
|            | 4362526  | Black                         |
|            | 4321135  | Chrome                        |
| 13         | 4321136  | Pan Module                    |
| 14         |          | Glass, Top                    |
|            | 4362513  | White                         |
|            | 786120   | Black                         |
| 15         | 786721   | Spring, Leaf(2)               |
| 16         | 786722   | Nut, Hex 6mm (4)              |
| 17         | 786723   | Screw (2)                     |
| 18         | 786272   | Nut, Lock Hex. (2)            |
| 19         | 4157298  | Clamp, Wire (2)               |
| 20         | 4320676  | Screw, Sq. Drive              |
| 21         | 786176   | Block, Plug                   |
| 22         | 786725   | Contact Power (4)             |
| 23         | 786726   | Contact Ground                |
| 24         | 786231   | Screw, Contact (5)            |
| 25         | 786179   | Insulator                     |
| 26         |          | Module, Complete              |
|            | 4363041  | White Frame with White Glass  |
|            | 4363040  | Black Frame with Black Glass  |
|            | 4363042  | Chrome Frame with Black Glass |

FOR ORDERING INFORMATION REFER TO PARTS PRICE LIST

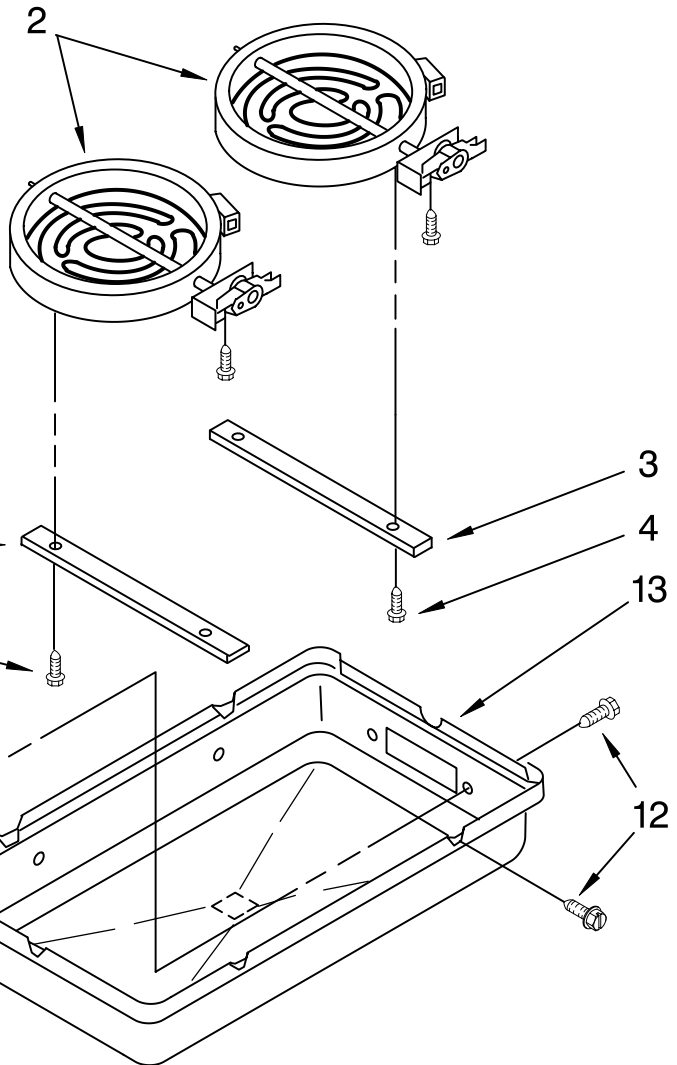
# OPTIONAL GLASS CERAMIC MODULE

For Model: RS373PXWT2

| Illus. No. | Part No. | DESCRIPTION                                  |
|------------|----------|--|
| 1          | 4363127  | Top Assembly<br>White Frame with White Glass |
|            | 4363128  | Black Frame with Black Glass                 |
|            | 4363221  | Chrome Frame with Black Glass                |
| 2          | 4363081  | Element, Heat (2)                            |
| 3          | 786174   | Bracket, Mounting                            |
| 4          | 786230   | Screw (4)                                    |
| 5          | 786176   | Block, Plug                                  |
| 6          | 786725   | Contact, Power (4)                           |
|            | 786726   | Contact, Ground                              |
| 9          | 786231   | Screw, Contact (5)                           |
| 10         | 786179   | Insulator                                    |
| 11         | 786707   | Bracket, Mounting                            |
| 12         | 786227   | Screw (2)                                    |
| 13         | 4364012  | Pan, Module                                  |
| 14         |          | Complete Module                              |
|            | 4363039  | White Frame with White Glass                 |
|            | 4363038  | Black Frame with Black Glass                 |
|            | 4363044  | Chrome Frame with Black Glass                |



1



11

9

6

5

4

3

6

10

2

3

4

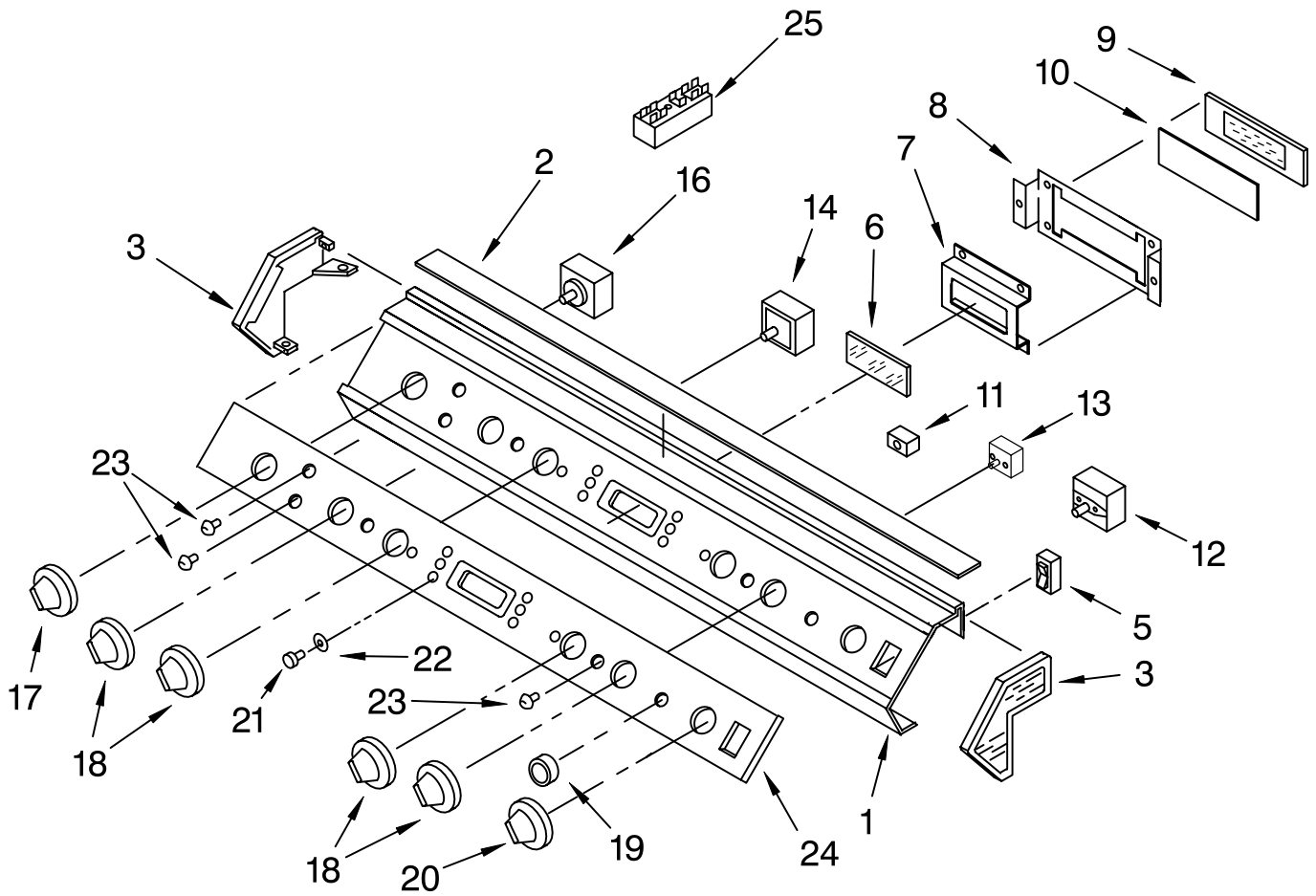
13

12

FOR ORDERING INFORMATION REFER TO PARTS PRICE LIST

# CONTROL PANEL PARTS

For Model: RS373PXWT2



| Illus. No. | Part No. | DESCRIPTION          |
|------------|----------|----------------------|
| 1          | 4363148  | Panel, Control       |
| 2          | 4321033  | Inlay, Top           |
| 3          | 4321034  | Right Hand End Cap   |
|            | 4321035  | Left Hand End Cap    |
| 5          | 4320853  | Switch, Oven Light   |
| 6          | 4321036  | Glass, Clock         |
| 7          | 4321037  | Bracket, Clock Glass |
| 8          | 4321038  | Bracket, Clock       |
|            | 4321039  | Screw, Clock Bracket |

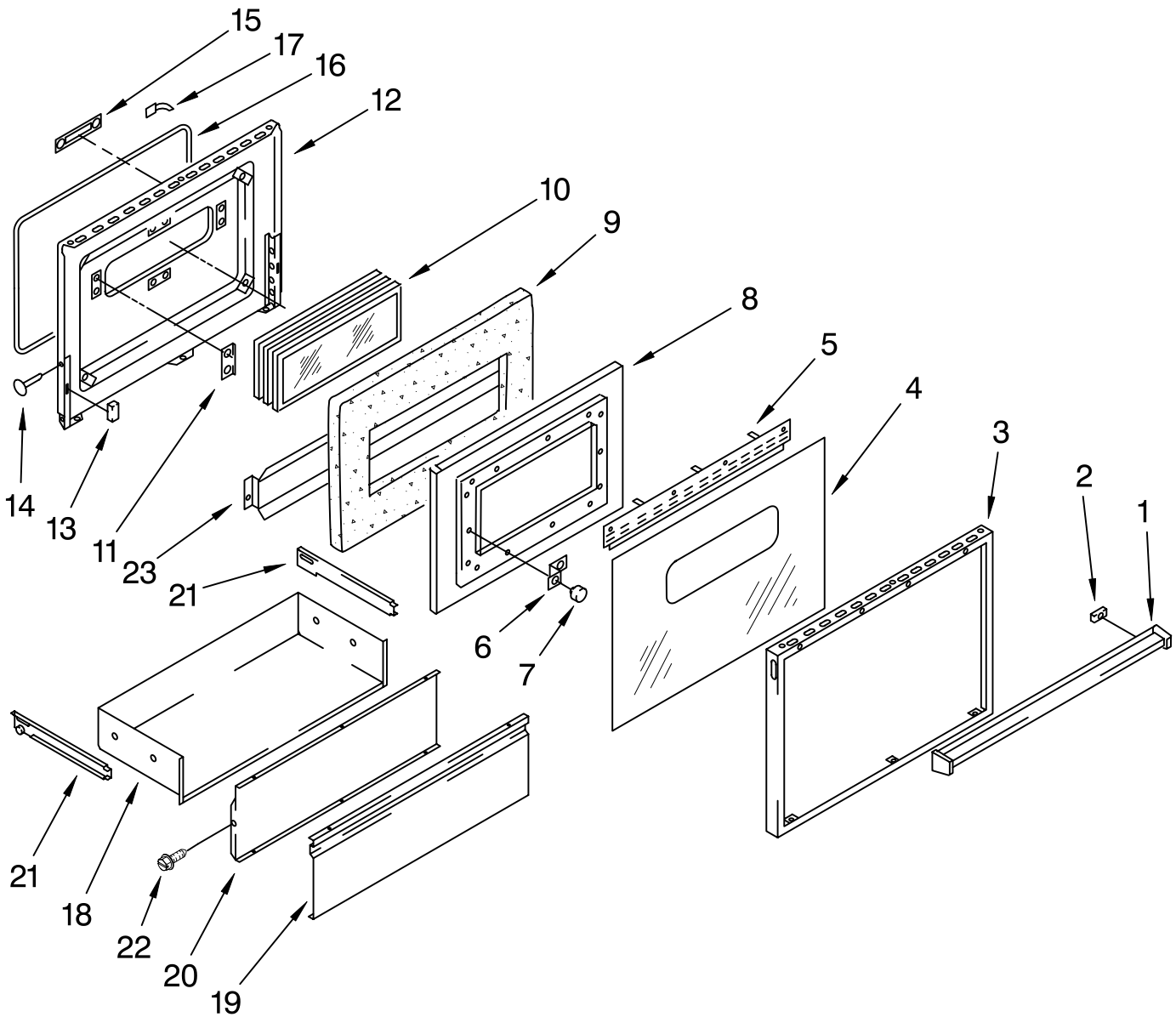
| Illus. No. | Part No. | DESCRIPTION          |
|------------|----------|----------------------|
| 9          | 4321040  | Display, Clock       |
| 10         | 4321041  | Lens- Clock          |
| 11         | 4315016  | Light, Indicator (4) |
| 12         | 4321042  | Switch, Selector     |
|            | 786228   | Screw                |
| 13         | 4321043  | Switch, Fan          |
|            | 786245   | Screw                |
| 14         | 4315607  | Switch, Infinite (4) |
|            | 786228   | Screw                |
| 16         | 4362894  | Control, Thermostat  |
|            | 786228   | Screw                |

| Illus. No. | Part No. | DESCRIPTION               |
|------------|----------|---------------------------|
| 17         | 4363177  | Knob, Thermostat Control  |
| 18         | 4321045  | Knob, Surface Element (4) |
| 19         | 4321046  | Knob, Fan Switch          |
| 20         | 4321047  | Knob, Selector Switch     |
| 21         | 4321048  | Button, Clock (6)         |
| 22         | 4321049  | Bushing, Clock Button     |
| 23         | 4321050  | Lens, Indicator Light (4) |
| 24         | 4363178  | Insert, Control Panel     |
| 25         | 786132   | Block, Terminal           |

FOR ORDERING INFORMATION REFER TO PARTS PRICE LIST

# OVEN DOOR AND DRAWER PARTS

For Model: RS373PXWT2



| Illus. No. | Part No. | DESCRIPTION        |
|------------|----------|--------------------|
| 1          | 4362534  | Handle, Door       |
| 2          | 786410   | Spacer, Handle     |
| 3          | 786417   | Frame              |
| 4          | 4320971  | Glass, Black       |
| 5          | 4320849  | Trim, Door         |
| 6          | 786425   | Support, Glass (5) |
| 7          | 786526   | Bumper, Rubber (4) |

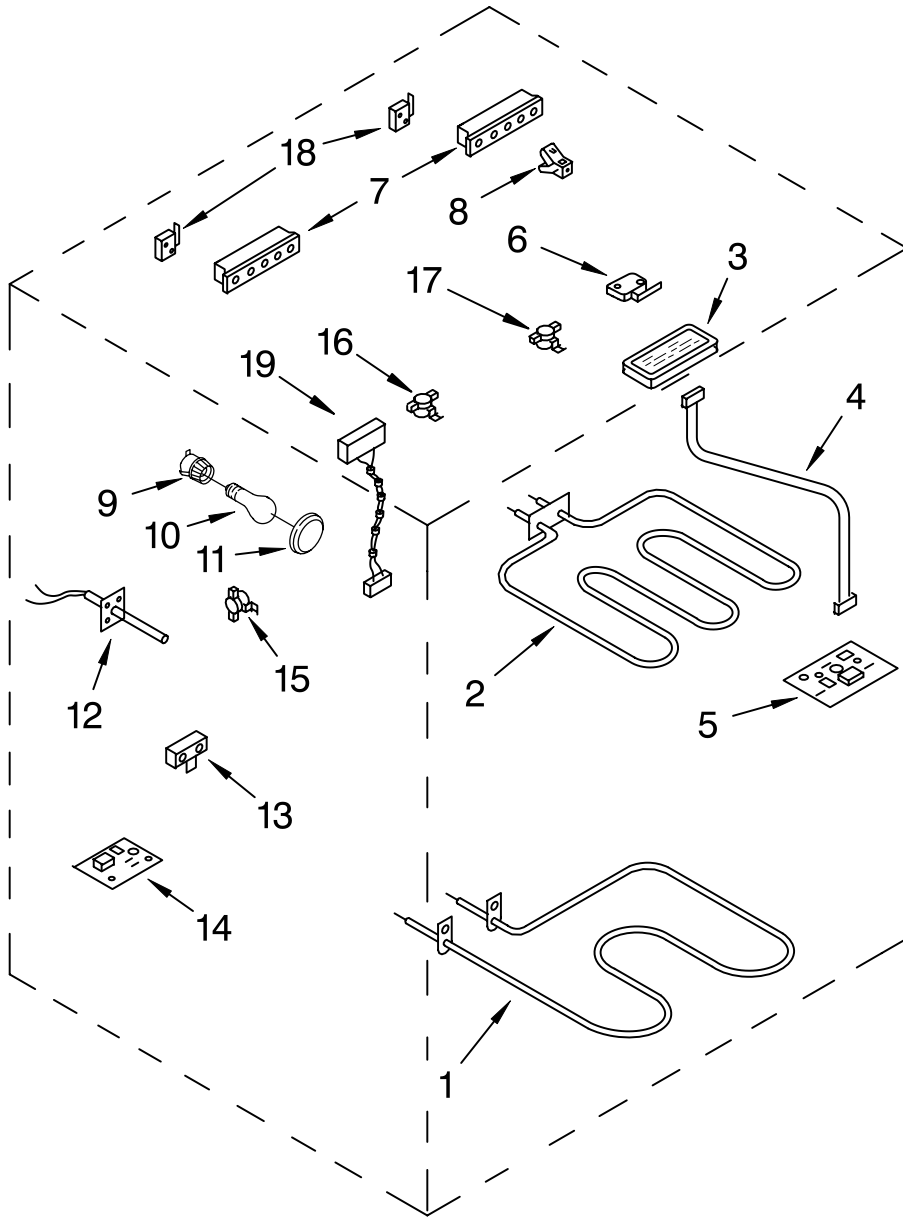
| Illus. No. | Part No. | DESCRIPTION          |
|------------|----------|----------------------|
| 8          | 4320875  | Retainer, Insulation |
| 9          | 4315673  | Insulation           |
| 10         | 4362602  | Window Assembly      |
| 11         | 4179236  | Retainer (4)         |
| 12         | 4320300  | Pad, Door            |
| 13         | 4179237  | Bumper (2)           |
| 14         | 4362533  | Pin-Hinge (2)        |
| 15         | 786671   | Plate, Latch         |

| Illus. No. | Part No. | DESCRIPTION     |
|------------|----------|-----------------|
| 16         | 4320302  | Gasket, Door    |
| 17         | 786426   | Clip            |
| 18         | 4321029  | Drawer, Storage |
| 19         | 4314976  | Panel, Front    |
| 20         | 4315696  | Liner, Front    |
| 21         | 4321030  | Runner          |
|            | 4321031  | L.H.            |
|            | 4321031  | R.H.            |
| 22         | 786756   | Screw (4)       |
| 23         | 4320304  | Baffle, Heat    |

FOR ORDERING INFORMATION REFER TO PARTS PRICE LIST

# ELECTRICAL OVEN PARTS

For Model: RS373PXWT2



| Illus. No. | Part No. | DESCRIPTION                        |
|------------|----------|------------------------------------|
| 1          | 4315236  | Element, Bake                      |
| 2          | 4315235  | Element, Broil                     |
| 3          | 4321040  | Board, Clock                       |
| 4          | 4321065  | Cable, Clock                       |
| 5          | 4321066  | P.C. Board, Power Supply           |
| 6          | 786669   | Switch, Latch                      |
| 7          | 786196   | Plug, Block (2)                    |
| 8          | 786214   | Contact, Element (5 in each block) |
| 9          | 4321075  | Socket, Light                      |
| 10         | 786742   | Bulb                               |
| 11         | 4320959  | Lens, Light                        |
| 12         | 4315255  | Sensor, Oven                       |
| 13         | 4315225  | Block, Thermal                     |
| 14         | 4315256  | P.C. Board, Oven                   |
| 15         | 4321067  | Switch, High Limit                 |
| 16         | 786246   | Switch, Fan                        |
| 17         | 4363179  | Switch, Self-Clean                 |
| 18         | 4179158  | Switch, Fan (2)                    |
| 19         | 4321068  | Harness, Sensor                    |

FOR ORDERING INFORMATION REFER TO PARTS PRICE LIST