

PARTS LIST

for



ELECTRIC SET-IN CONVENTIONAL OVEN

MODEL

RS6100XKW-0
▲

▲W—White, D—New Avocado, C—Coffee,
F—Toast, G—Harvest Gold,
M—Platinum, N—Almond



FOR CUSTOMER SATISFACTION ALWAYS USE
FACTORY SPECIFICATION PARTS



Whirlpool CORPORATION

Benton Harbor, Michigan.

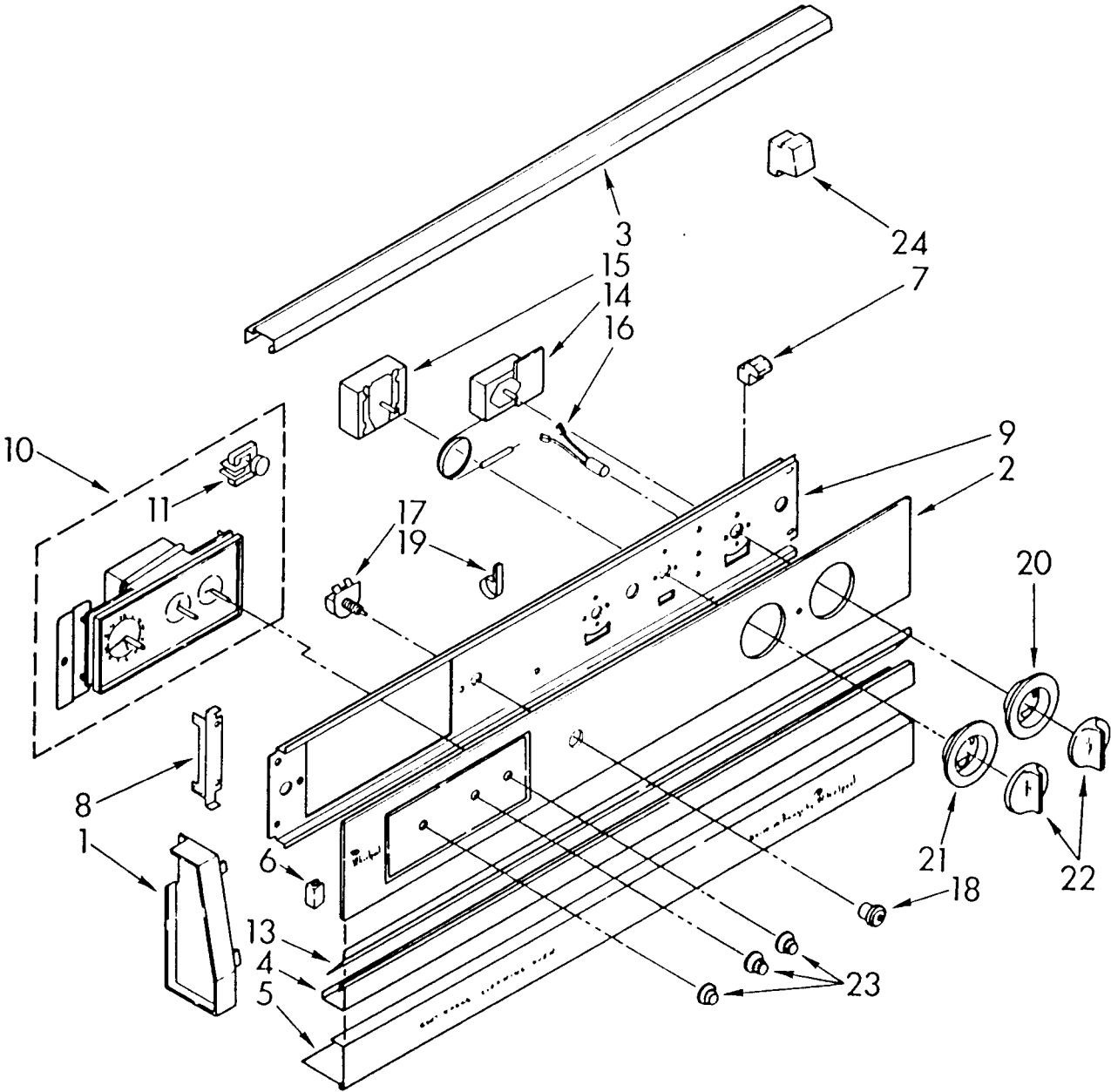
FOR SERVICE INFORMATION
SEE SERVICE (BROWN) FILMCARD(S)

94-A-2

49-F-1

CONTROL PANEL PARTS

For Model: RS6100XKW-0



FOR ORDERING INFORMATION REFER TO PARTS PRICE LIST

the screws and nuts
required to attach a part are listed immediately following that part

1		End Cap
	310826	L.H.
	310827	R.H.
	342043	Screw (2)
	308504	Screw (2)
2	312525	Control Panel, Glass
3	310819	Rail, Top
4	311195	Trim, Center
5	312530	Rail, Bottom
	246132	Screw, 8A x 3/8 (3)
	342043	Screw (4)
6	310842	Channel, Rubber (2)
7	310823	Retainer, Glass (4)
8	310720	Bracket, Control Panel (2)
	98520	Screw (4)
9	310727	Control Bracket
10	312803	Timer
	246132	Screw, 8A x 3/8 (2)
11	309822	Motor, Timer
13	255893	Seal, Backguard
14		Thermostat, Oven
	310861	Alternate
	311495	Alternate
	487384	Screw, 6-32 x 1/4 (2)
15	310866	Switch, Selector (4 Position)
	155023	Screw, 8-32 x 1/4 (2)
16	308753	Light, Indicator (250 V)
17	312581	Switch, Oven Light
	246132	Screw, 8A x 3/8 (4)
18	313030	Bezel, Switch
19	308605	Strain Relief
	246132	Screw, 8A x 3/8
	308609	Strain Relief
	166681	Screw, 10-32 x 5/16
20	311065	Escutcheon, Thermostat
21	311069	Escutcheon, Selector
	254225	Screw, 8 x 1/4 (2)
22	310834	Knob, Control (2)
23	312808	Knob, Timer (3)
24	312752	Top, Support (2)

OVEN PARTS

For Model: RS6100XKW-0



FOR ORDERING INFORMATION REFER TO PARTS PRICE LIST

the screws and nuts

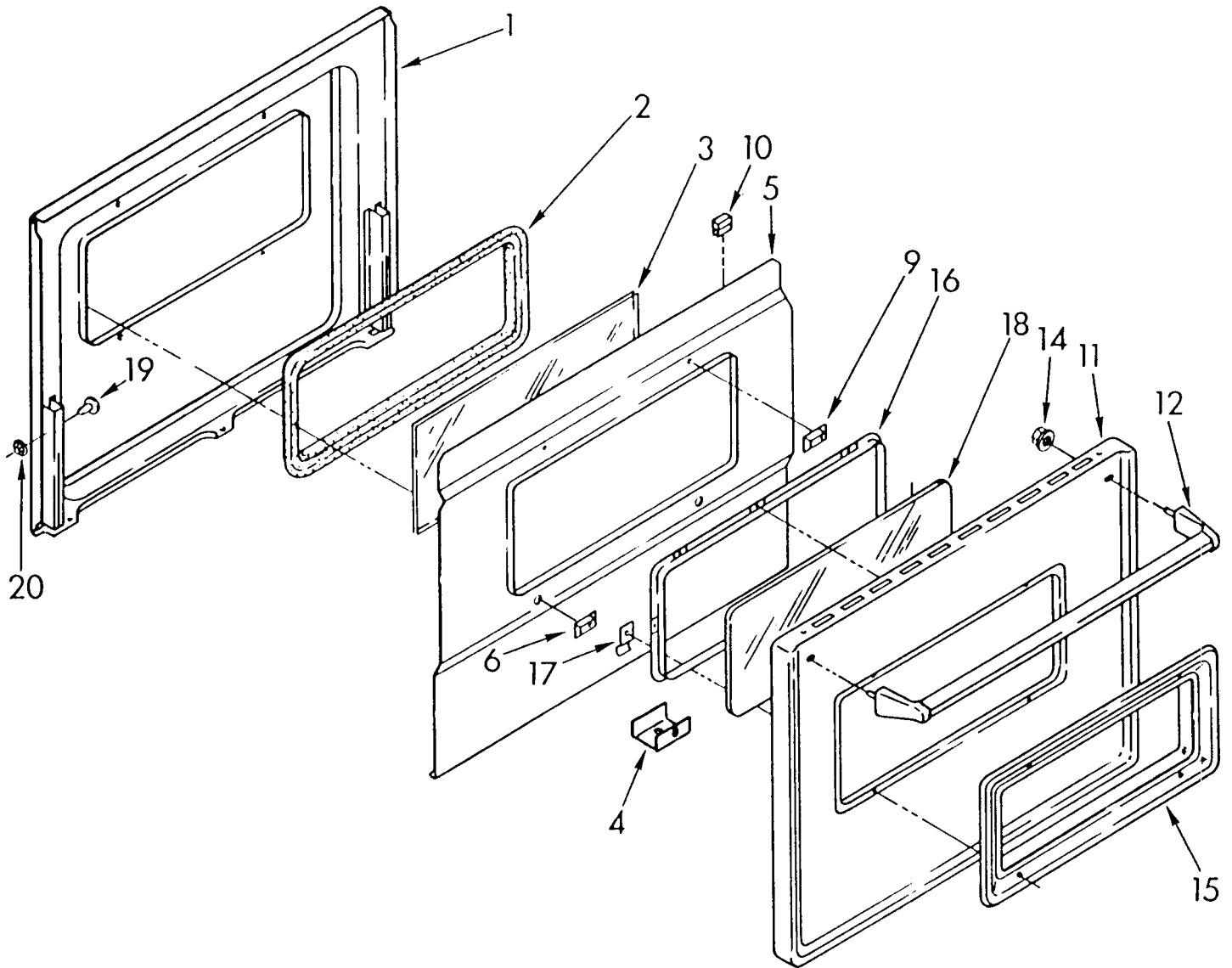
Required To Attach A Part Are Listed Immediately Following That Part.

1	328747	Frame, Front
2	307985	Pin, Hinge Ear (2)
4	308306	Pushnut (2)
5	310770	Insulation Tray
6		Side Wrapper
	311006	Right Side
	311009	Left Side
	253549	Screw, 10A x 1/2 (14)
7	311774	Support, Side Wrapper (4)
	253549	Screw, 10A x 1/2 (4)
	343631	Screw, 10-32 (Ground) (1)
8	310693	Baffle, Top Insulation
	253549	Screw, 10A x 1/2 (2)
9		SIDE TRIM R.S.
	310685	Side Trim R.S.
	253549	Screw, 10A x 1/2 (8)
10	328758	Oven, 30" Conventional
	311056	Screw (3)
11	309107	Heat Seal
12	310713	Bracket, Oven Mounting (2)
	246127	Screw, 10-32 x 5/8 (6)
13	257314	Plug Button
14	258139	Clip, Therm Bulb (2)
15		Hinge, Ear
	328801	Right Side
	328802	Left Side
16	310659	Plate, Side Panel (2)
	308544	Screw, 10-24 x 1/2 (4)
17	329713	Channel Arm (2)
18	307986	Pin, Hinge (2)
19	307594	Retainer Ring (2)
20	311092	Spring, Door Stop (2)
21	311897	Anchor, Spring (2)
22	308127	Spring, Oven Door (2)
23	310835	Extension, Vent
24	310840	Eliminator, Smoke
	343641	Screw, 10-16 x 1/2
	253549	Screw, 10A x 1/2 (2)
25	310662	Plate Cover
	253549	Screw, 10A x 1/2 (2)
26	308180	Unit, Bake
	246127	Screw, 10-32 x 5/8 (2)
27		Unit, Broil
	311714	Alternate
	311713	Alternate
	246127	Screw, 10-32 x 5/8
28		Socket, Oven Light
	307856	Alternate
	310208	Alternate
	308043	Screw, 10-12 x 7/8 (2)
29	311255	Bulb, Oven Light
30	310345	Switch, Door
31		Cover, Side
	310715	Right Side
	310714	Left Side

	253549	Screw, 10A x 1/2 (6)
32	258076	Terminal Block
	112432	Nut (3)
	98445	Screw, 10-16 x 3/4 (2)
33	310458	Cover, Bottom & Top
34	311592	Angle, Support (2)
	253549	Screw, 10A x 1/2 (4)
35	310668	Grill, Bottom
	309029	Screw, Black 8-15 x 1/2 (3)
36	310976	Broil Pan
37	258171	Grid, Broil Pan
38	308173	Rack, Oven (Straight)
39	308172	Rack, Oven (Offset)
40	310459	Panel, Back
	253549	Screw, 10A x 1/2 (6)
41	311012	Cover, Rear
	253549	Screw, 10A x 1/2 (12)

DOOR PARTS

For Model: RS6100XKW-0



FOR ORDERING INFORMATION REFER TO PARTS PRICE LIST

980578

6

49-F-6

the screws and nuts

Required To Attach A Part Are Listed Immediately Following That Part.

1	329687	Liner, Door
	311056	Screw (4)
	338156	Screw, 8A x 1/2 (2)
	307748	Screw, 10A x 3/8 (3)
2	258711	Seal, Pano Glass
3	258988	Glass, Inner 30"
4	309137	Spacer, Door (2)
	307748	Screw, 10A x 1/2 (2)
5	307924	Baffle
6	258990	Spacer, Baffle (2)
	307748	Screw, 10A x 1/2 (2)
9	258990	Spacer, Baffle (2)
	253549	Screw, 10A x 1/2 (2)
10	312783	Bumper, Rubber
11		Panel
	307888	White
	307890	New Avocado
	307894	Harvest Gold
	307892	Coffee
	307896	Almond
	313175	Toast
	313176	Platinum
	309133	Screw, 8A x 5/8
12	311564	Handle, Door
14	308499	Palnut, Handle (2)
15	309173	Window Frame 30"
16	307792	Glass Retainer 30"
17	307731	Clip, Frame
18	307732	Glass, Outer 30"
	313045	Screw, 7-19 x 3/8 (8)
19	312223	Pin, Wedge
20	311896	Pushnut

OPTIONAL PARTS NOT INCLUDED

SPLICING WIRES--25FT. LENGTH

242828	Wire, Black 12 Ga. 150~c
242820	Wire, Black 14 Ga. 150~c
242821	Wire, Blue 14 Ga. 150~c
242822	Wire, Brown 14 Ga. 150~c
242830	Wire, Brown 14 Ga. 200~c
242823	Wire, Green 14 Ga. 150~c
242824	Wire, Orange 14 Ga. 150~c
242829	Wire, Red 12 Ga. 150~c
242825	Wire, Red 14 Ga. 150~c
242831	Wire, Red 14 Ga. 200~c
242826	Wire, White 14 Ga. 150~c
242827	Wire, Yellow 14 Ga. 150~c
242832	Wire, Yellow 14 Ga. 200~c

paint, touch-up (1\2 oz.)

72017	White
72107	Almond
72109	New Avocado
72108	Coffee
72110	Harvest Gold

72112	Toast
72113	Platinum
**51187	White Porcelain (2 Oz.)
paint, pressurized spray (13 oz.)	
350930	White
350956	Almond
261888	New Avocado
261886	Coffee
261890	Harvest Gold
285365	Toast
285366	Platinum
285006	Superior Black
206922	Primer (White)
206925	Leveler (Thinner) (2 Oz.)
paint, bulk (1 qt.)	
*799344	White (Uncut)
*978883	Almond (Uncut)
*261889	New Avocado (Uncut)
*261887	Coffee (Uncut)
*261891	Harvest Gold (Uncut)
*285367	Toast (Uncut)
*285368	Platinum (Uncut)
799351	Thinner (1 Gal.)

*Special Thinner 799351 Required.

refinishing material

799832	Kit, Porcelain Repair (White)
261810	Touch-Up, Oven (1/2 Pt.)
261582	Grease

insulation

261514	Insulation, Fiberglass (1-1/2" x 24" x 120")
240132	Insulation, Fiberglass (2-1/2" x 22" x 120")
241430	Foil, Aluminum Oven (18" x 25")

accessory parts

261825	Console
242985	Rotisserie Kit

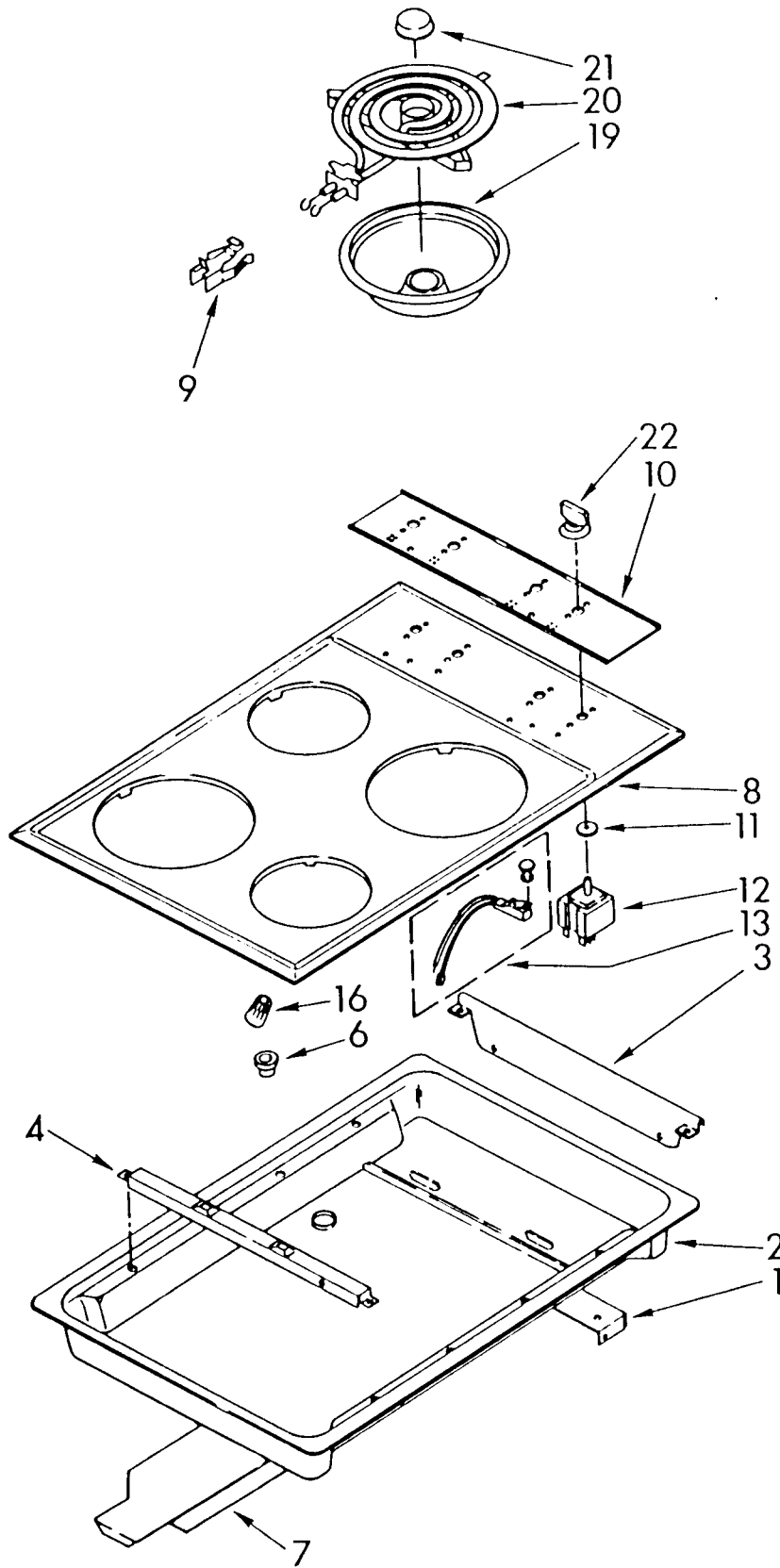
literature parts

311433	Installation Instructions
311409	Guide, Use & Care
308500	Book, Cooking Guide
980578	List, Parts

**Note: Cooktop Surface is Porcelain; All Other Panels Are Painted Surfaces.

COOKTOP PARTS

For Model: RS6100XKW-0



FOR ORDERING INFORMATION REFER TO PARTS PRICE LIST

the screws and nuts

Required To Attach A Part Are Listed Immediately Following That Part.

1	310718	Support, Burner Box (2)
	253549	Screw, 10A x 1/2 (6)
2	311019	Burner Box
	342043	Screw (4)
3	310716	Shield, Switch
	312566	Screw, 8-18 x 1/2 (2)
4	310717	Support, Cooktop
	312566	Screw, 8-18 x 1/2 (2)
	253549	Screw, 10A x 1/2 (4)
6	258109	Bushing
7	310627	Cover, Top Rear
	253549	Screw, 10A x 1/2 (3)
8		Cooktop
	307493	White
	308943	New Avocado
	308944	Harvest Gold
	308945	Coffee
	308946	Almond
	308947	Toast
	308948	Platinum
	166681	Screw, 10-32 x 5/16 (2)
	253549	Screw, 10A x 1/2 (4)
9	258858	Clip, Receptacle (4)
	311932	Screw, 6-32 x 1/4 (4)
10	312519	Panel, Control
11	309839	Seal, Switch
12		Switch, Infinite
	311839	Use W/6" Surface Unit (2)
	311838	Use W/8" Surface Unit (2)
	246406	Screw, 8-32 x 5/16 (8)
13	312860	Indicator Light (2) (Includes Lens)
16	255673	Wire Connector
19		Reflector Pan
	308539	6" (2)
	308540	8" (2)
20		Unit, Surface
	309191	6" Alternate
	309249	6" Alternate
	309185	8" Alternate
	309216	8" Alternate (Includes Illus. 21)
21	309195	Medallion, Surface Unit
22	330190	Knob, Control (4)