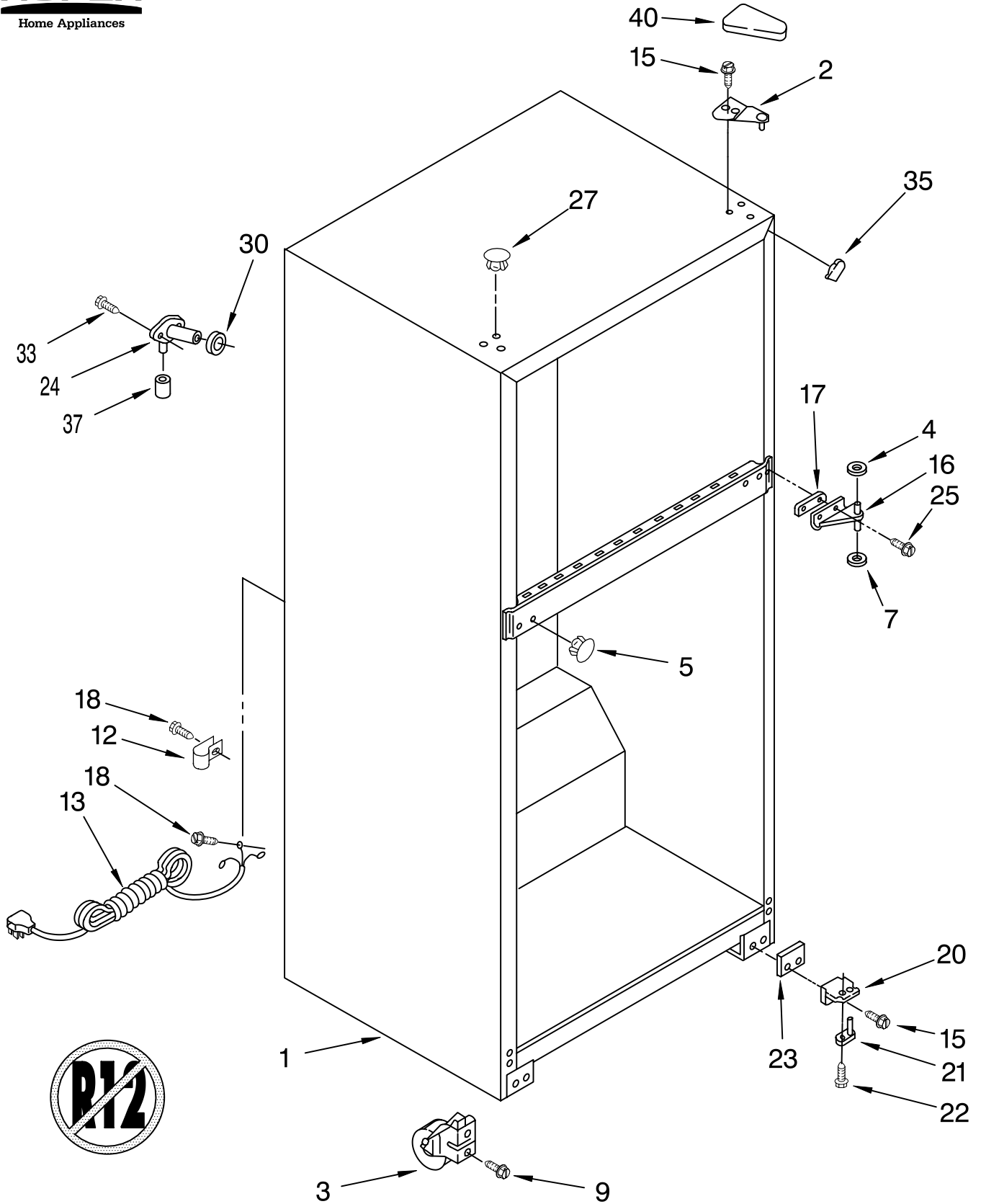


CABINET PARTS

REFRIGERATOR

FOR MODELS: RT14DKXDW01, RT14DKXDN01, RT14DKYDW01, RT14DKYDN01
(White) (Almond) (White) (Almond)



FOR ORDERING INFORMATION REFER TO PARTS PRICE LIST

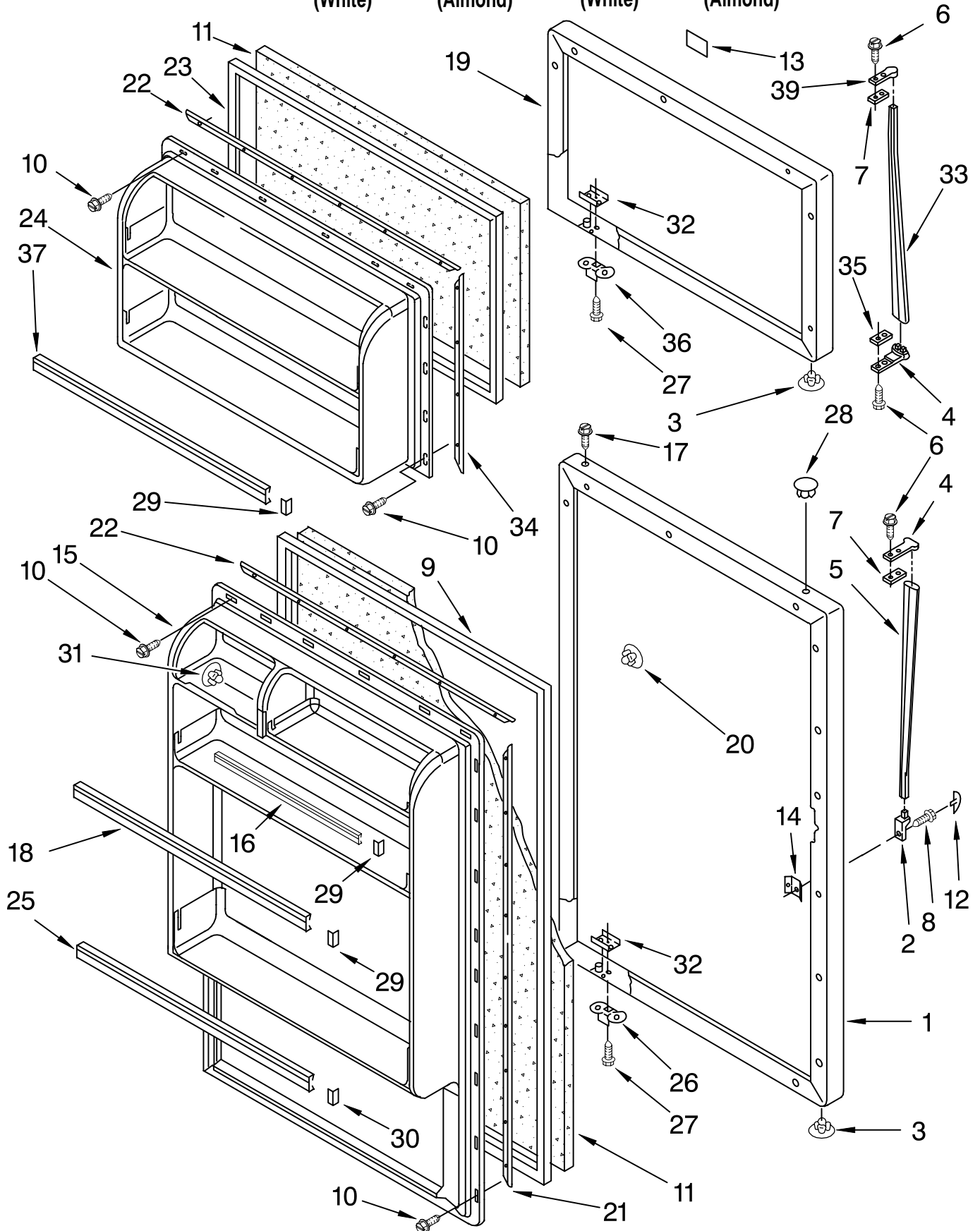
CABINET PARTS

FOR MODELS: RT14DKXDW01, RT14DKXDN01, RT14DKYDW01, RT14DKYDN01
 (White) (Almond) (White) (Almond)

Illus. No.	Part No.	DESCRIPTION
1		Cabinet (Not A Serviceable Part)
2	2157591	Hinge (Top)
3	9790461	Roller-Front
4	487576	Washer (1/16)
5	1129062	Hole Plug
7	487802	Washer (7/64)
9	9791768	Screw
12	549193	Clamp-Cord
13	937360	Cord-Service
15	489367	Screw
16	2166086	Hinge, Center
17	2166043	Shim, Hinge Center
18	489242	Screw
20	2166094	Hinge Butt
21	9791682	Hinge-Pin Bott.
22	488714	Screw
23	2166047	Shim, Bottom Hinge
24	2174760	Fitting, Water Tube
25	489105	Screw
27		Hole Plug (6)
	2151652	White
	2151653	Almond
30	1106508	Seal
33	489084	Screw
35		Corner Filler
	2166003	White
	2166004	Almond
37	487996	Cap
		Bushing
40		Cover-Hinge
	2160403	White
	2160404	Almond

DOOR PARTS

FOR MODELS: RT14DKXDW01, RT14DKXDN01, RT14DKYDW01, RT14DKYDN01
(White) (Almond) (White) (Almond)



FOR ORDERING INFORMATION REFER TO PARTS PRICE LIST

DOOR PARTS

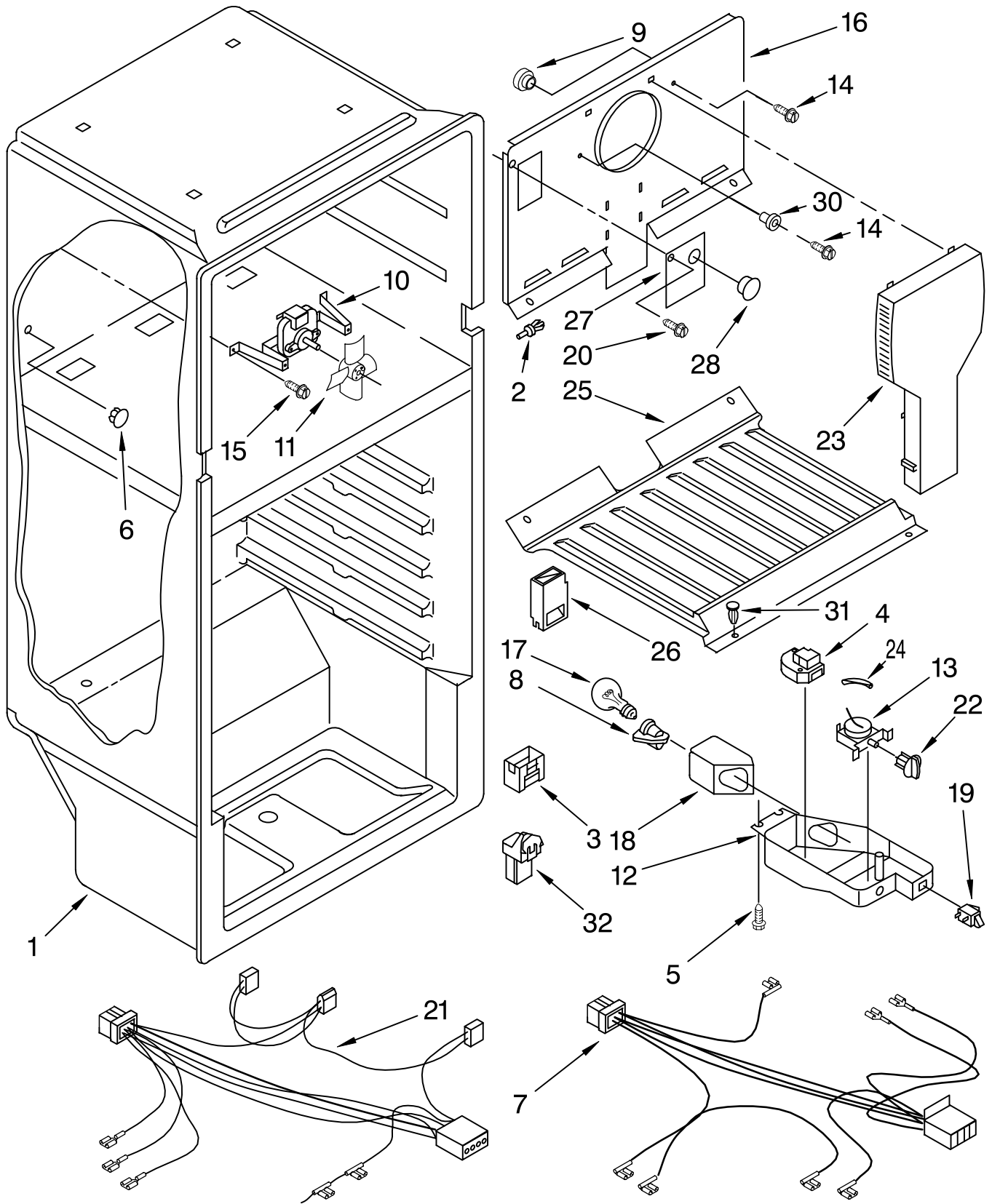
FOR MODELS: RT14DKXDW01, RT14DKXDN01, RT14DKYDW01, RT14DKYDN01
 (White) (Almond) (White) (Almond)

Illus. No.	Part No.	DESCRIPTION	Illus. No.	Part No.	DESCRIPTION	Illus. No.	Part No.	DESCRIPTION
1		Refrigerator Door Panel (Also Order Item 11)	12	1110059	Cover, Screw	23	2166000	Door Gasket, Magnetic
	9790362	White	13	2163676	Nameplate	24	9790358	Interior Door Panel (Freezer)
	9791629	Almond	14	2151669	Screw Anchor	25	2163627	Trim, Door Shelf
2	1110056	End Cap	15	2173725	Interior Door Panel (Refrigerator)	26	2159368	Bracket, Door Stop
3		Hole Plug (2)	16	2163624	Trim, Door Shelf	27	488921	Screw
	534927	White	17	489028	Screw	28		Hole Plug
	989197	Almond	18	2163625	Trim, Door		844478	White
4	1108952	End Cap, Handle	19		Freezer Door Panel (Also Order Item 11)	29	2156007	Plug-Trim
5	1109166	Handle Center		9790364	White	30	2156006	Plug-Trim
6	489006	Screw		9791627	Almond	31	2163372	Hole Plug
7	943187	Shim	20		Hole Plug	32	943185	Tap Plate
8	487909	Screw		1122653	White	33	1111547	Handle, F.C.
9	9790369	Door Gasket, Magnetic		1122654	Almond	34	1122553	Retainer, Gasket
10	489442	Screw	21	1122551	Retainer, Gasket	35	943188	Spacer
11	876029	Foam Insulation (Required When Replacing Exterior Door Panel)	22	1120614	Retainer, Gasket	36	944035	Stop-Door
						37	2163623	Trim-Door (2)
						39	1108955	Handle End

FOR ORDERING INFORMATION REFER TO PARTS PRICE LIST

LINER PARTS

FOR MODELS: RT14DKXDW01, RT14DKXDN01, RT14DKYDW01, RT14DKYDN01
(White) (Almond) (White) (Almond)



FOR ORDERING INFORMATION REFER TO PARTS PRICE LIST

LINER PARTS

FOR MODELS: RT14DKXDW01, RT14DKXDN01, RT14DKYDW01, RT14DKYDN01

Illus. No.	Part No.	DESCRIPTION	(White)	(Almond)	(White)	(Almond)	Illus. No.	Part No.	DESCRIPTION
			Illus. No.	Part No.	DESCRIPTION	Illus. No.			
1		Liner (Not A Serviceable Part)	11	2169141	Fan Blade	22	2175831	Control Knob	
2	939962	Rivet-Plastic	12	2175830	Control Box	23	2174502	Air Tower	
3	2166092	Cover, Air Diffuser	13	2183403	Thermostat	24	1118680	Thermostat Tube Barrier	
4	2162044	Timer, Defrost	14	489450	Screw	25	2174799	Freezer Floor	
5	489174	Screw	15	489242	Screw	26	9790402	Air Diffuser	
6	941839	Hole Plug	16	9790382	Cover-Evaporator	27	2183038	Cover, Hole	
7	9791406	Wire Assy. Control Box	17	946059	Light Bulb	28	1103725	Hole Plug	
8	2162085	Socket, Light	18	9791702	Light Shield	30	2166010	Sleeve	
9	531933	Grommet	19	1118894	Rocker Arm Switch	31	489115	Fastener-Snap In	
10	2166013	Fan Motor & Bracket Assy.	20	489451	Screw	32	2166082	Hood and Foil Assembly	
			21	2183089	Wiring-Freezer				

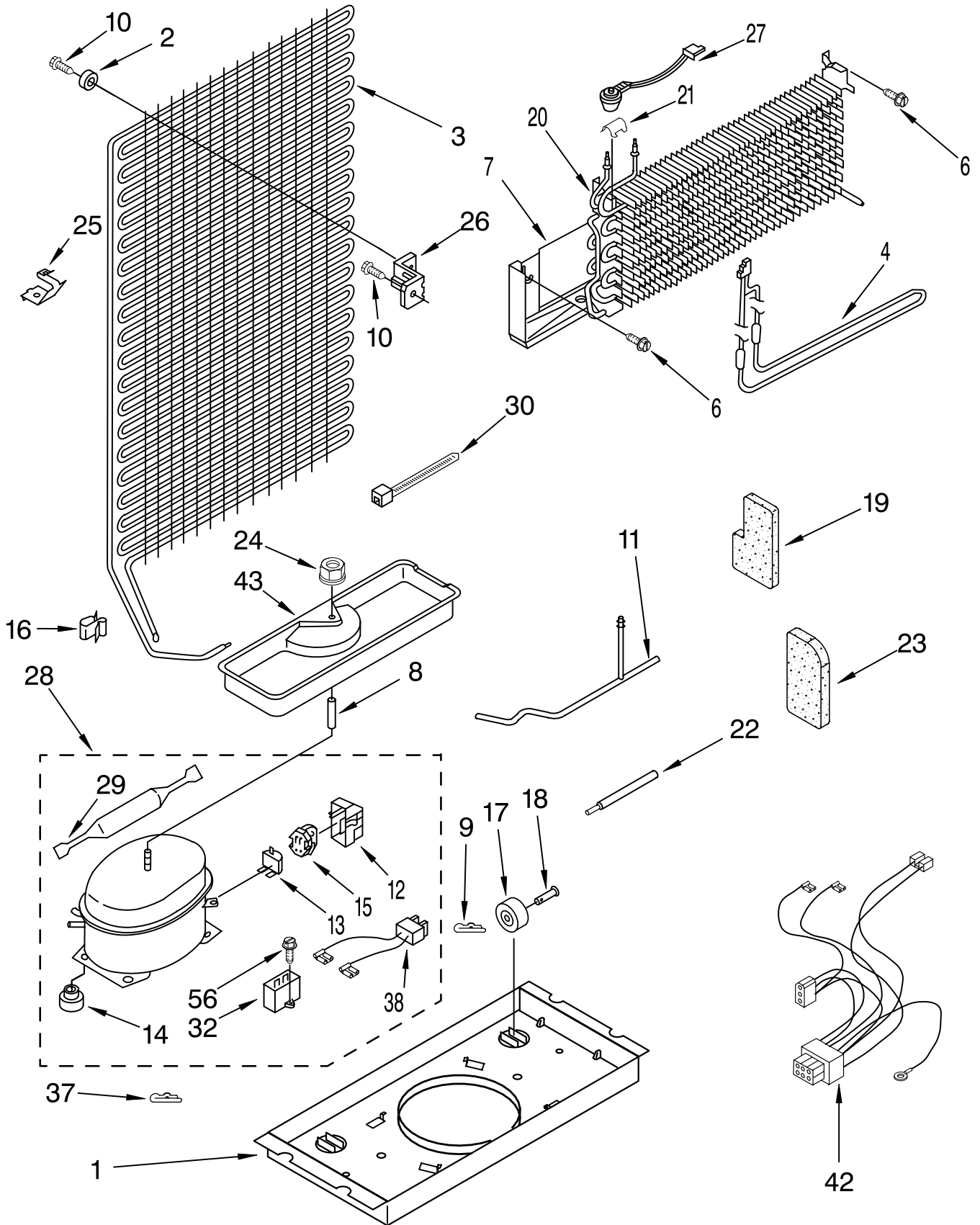
LITERATURE AND OPTIONAL PARTS

Illus. No.	Part No.	DESCRIPTION	Illus. No.	Part No.	DESCRIPTION	Illus. No.	Part No.	DESCRIPTION
Parts Not Illustrated and Optional Parts (Not Included)			Customer Touch-Up Material			LITERATURE PARTS		
Miscellaneous			*350942	Primer, White (13 Oz. Spray Can)	LIT2177036	Service & Wiring Sheet		
978941	Insulation, Fiberglass (63-1/2" x 35-1/2" x 2-5/8")		*350939	Enamel, Black (13 Oz. Spray Can)	LIT2173374	Energy Label		
212643	Sealer, Gum (4 Feet)		*350930	Enamel, White (13 Oz. Spray Can)	LIT2183013	Use & Care Guide		
479502	Tape, Vinyl (3/4" x 108")		*350956	Enamel, Almond (13 Oz. Spray Can)	ICE MAKER FIELD INSTALLABLE			
876305	Kit, Insulation (14 Pcs. 3" x 24" x 48")		72017	Brush Touch-Up Kit (White)	IMKIT94			
876370	Kit, Insulation (2 Pcs. 3" x 24" x 48")		72032	Brush Touch-Up Kit (Black)	TORX SCREW WRENCH			
876029	Kit, Foam Slab (30" x 32-1/2" x 1-1/2")		72107	Brush Touch-Up Kit (Almond)	1117510 Torx Key			
505587	Sealer, Mastic (1 Qt.)		Refinishing Material					
511873	Touch-Up, White Porcelain (2 Oz.)		799344	Enamel, White (1 Qt. Uncut)				
542638	Grease, Silicone (1/2 Oz.)		978883	Enamel, Almond (1 Qt. Uncut)				
542639	Cement, Alumilastic (1-1/4 Oz.)		833938	Kit, Terminal Connector				
606755	Bag, Insulation (36-5/8" x 46")		*Caution: The Spray Paint Is Not To Be Used Where The Paint May Make Contact With The Door Gaskets					
799833	Kit, Evaporator Repair (Aluminum Epoxy)							
799832	Kit, Porcelain Repair (White)							
503695	Cork Sealer (1/4 Pound)							
2148984	Door Reversal Instructions							

FOR ORDERING INFORMATION REFER TO PARTS PRICE LIST

UNIT PARTS

FOR MODELS: RT14DKXDW01, RT14DKXDN01, RT14DKYDW01, RT14DKYDN01
 (White) (Almond) (White) (Almond)



FOR ORDERING INFORMATION REFER TO PARTS PRICE LIST

UNIT PARTS

FOR MODELS: RT14DKXDW01, RT14DKXDN01, RT14DKYDW01, RT14DKYDN01
 (White) (Almond) (White) (Almond)

Illus. No.	Part No.	DESCRIPTION	Illus. No.	Part No.	DESCRIPTION	Illus. No.	Part No.	DESCRIPTION
1	9791635	Support Plate, Compressor	22	2174739	Tube, Process	Following Parts Not Illustrated and Optional Parts Not Included		
2	944772	Bumper	23	2166054	Wedge-Evap.			
3	9790413	Condenser	24	489153	Hex Nut			
4	2176942	Heater, Defrost	25	2172892	Clip, Condenser Mounting			
6	487869	Screw	26	944791	Bracket, Condenser			
7	2166097	Heat Shield	27	2176941	Defrost Bimetal			
8	2176882	Spacer	28	2169441	Compressor (Includes Items 12, 13, 14, 15, 29, 32, 38 & 56) (Also Order 482801)			
9	20150912	Clip-Pin			Installation Kit & 876765 Tube Kit)			
10	488725	Screw	29	2174865	Drier			
11	2174791	Evacuation Tube Assembly	30	2155774	Strap			
12	2162358	Cover	32		Run Capacitor			
13	2154759	Overload (Includes Relay)		2154565	Service			
14		Grommet	37	24364001	Clip, Compressor			
	2163786	Production	38	1127675	Wire Asm.			
	1100826	Service	42	9790416	Wire Assy. Unit			
15		Relay (See Overload)	43	1101002	Tray—Evaporator			
16	939054	Clip, Wire	56	488687	Screw			
17	9791758	Roller						
18	20150911	Pin-Roller						
19	2166053	Wedge-Evap.						
20	2166055	Evaporator Assy.						
21	9791833	Clip						

REFRIGERANT CHARGE

3.75 Ozs.
(R134A)

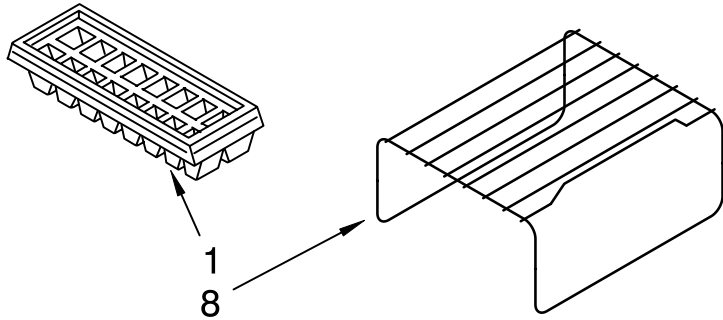


FOR ORDERING INFORMATION REFER TO PARTS PRICE LIST

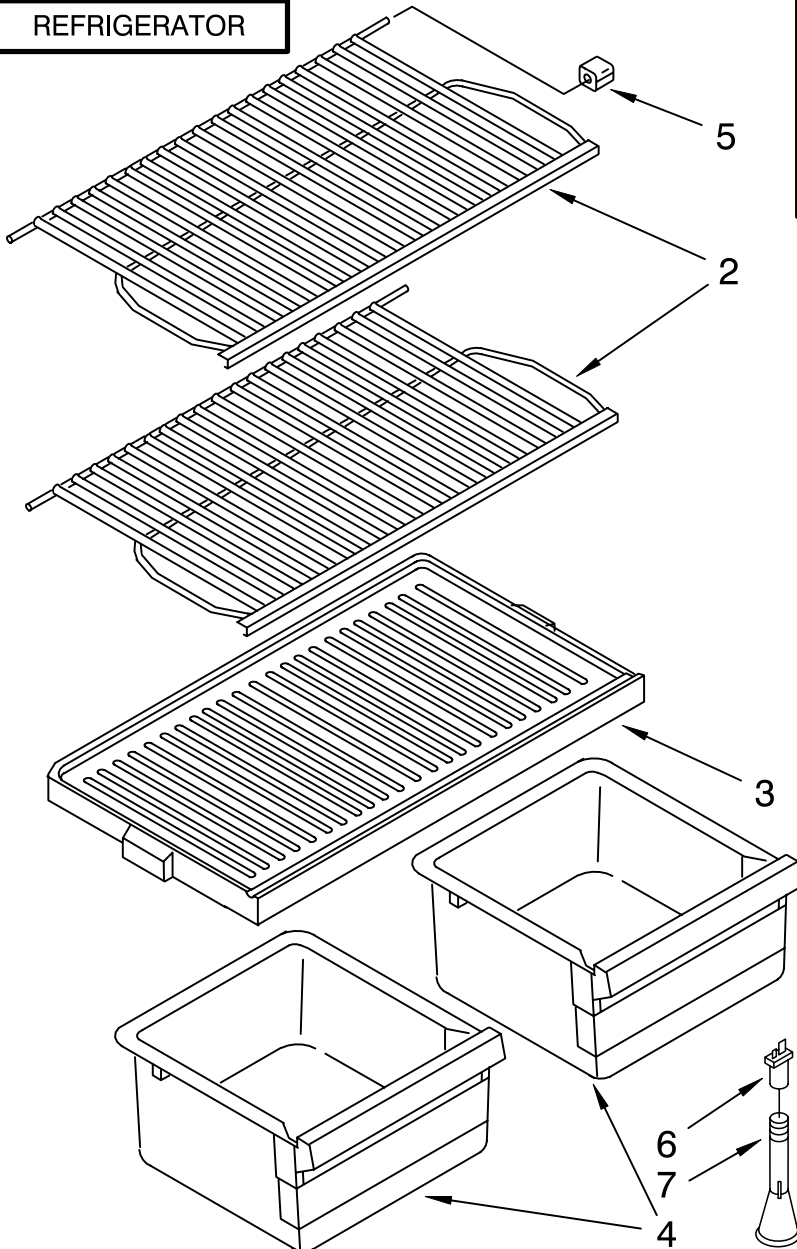
SHELF PARTS

FOR MODELS: RT14DKXDW01, RT14DKXDN01, RT14DKYDW01, RT14DKYDN01
 (White) (Almond) (White) (Almond)

FREEZER



REFRIGERATOR



Illus. No.	Part No.	DESCRIPTION
1	841180	Ice Tray (2)
2	2174846	Shelf (2)
3	2163662	Crisper Cover
4	2163654	Crisper Pan
5	9791835	Thimble (4)
6	9791824	Support, Crisper
7	836410	Post, Crisper
8	2174797	Shelf, Ice Tray

FOR ORDERING INFORMATION REFER TO PARTS PRICE LIST