

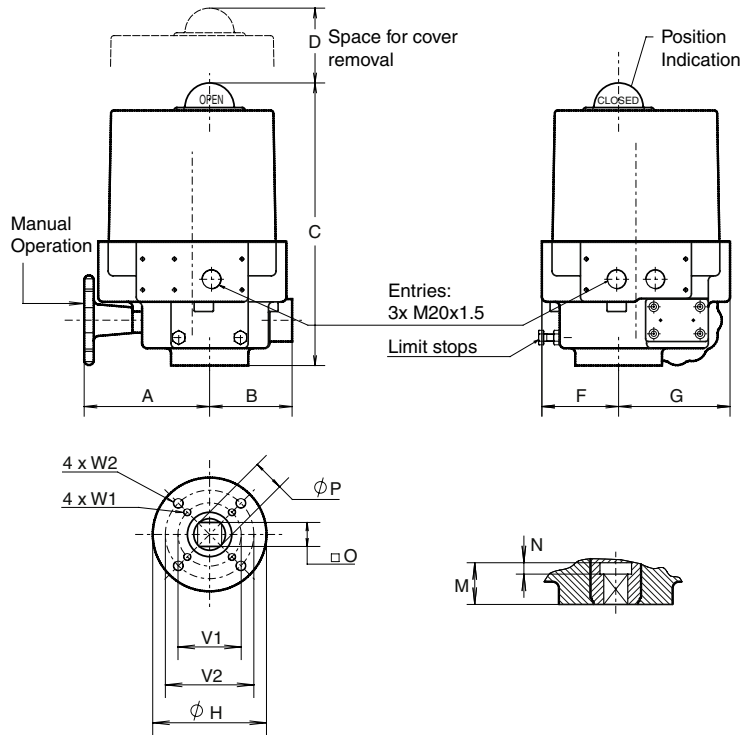
Data sheet

Sheet No.: 5.103 Rev. A

Date: November 2009

DIMENSIONS AND TECHNICAL DETAILS - ELECTRIC ACTUATOR

EL



Description

Type EL electric actuators use worm and wormwheel reduction gearing to provide tight positioning control and the self locking feature necessary for controlling larger valves, in particular butterfly valves.

The housing consists of an aluminium base casting and a steel cover, this contains the drive motor and worm gear assembly, together with the anti-condensation heater and main terminal block.

EL actuators take the full range of control options, they have handwheel geared manual overrides, mechanical end position stops and position indication by a raised dome in the top cover.

General Specification

- Nominal Rotation : 90° - factory set to ±3°
- : Adjustable by limit switches: 10° to 320°
- Enclosure : IP65 (IP67 optional)
- Temperature range : -20° to +70°C
- Electrical connection : By 12 and/or 16 point terminal block
- Finish : Two part polyurethane
all steel parts zinc plated
- Life : 50,000 cycles minimum
- Limit switches : 4x SPDT V3 micro switches
- Torque switches : 2x SPDT V3 micro switches (Not on EL-55)
- Stall protection : By thermostat in motor windings
- Heater : 10 Watt
- Voltages
 - DC : 24VDC or 24VAC
 - AC Single phase : 110-130V 50Hz or 60Hz
 - : 220-240V50Hz or 240-280V 60Hz
 - AC Three phase : 380-415V 50Hz or 415-460V 60Hz

Materials

- Housing : Aluminium alloy
- Cover : Steel
- Drivesleeve : Bronze (Cast Iron)
- Fastenings : Stainless steel

DIM. mm	EL55	EL100	EL150	EL200	EL350	EL500	EL800
A	130	135	135	170	170	195	195
B	60	82	82	109	109	128	128
C	255	292	292	315	315	318	356
D	145	165	165	165	165	165	190
3x E	M20x1.5	M20x1.5	M20x1.5	M20x1.5	M20x1.5	M20x1.5	M20x1.5
F	70	77	77	96	96	123	123
G	95	120	120	140.5	140.5	166	166
H	90	90	90	125	125	150	150
M	27.5	33	33	33	33	48	48
N	9	9	9	9	9	-	-
O max.	14.11	19.11	19.11	19.11	19.11	27.13	27.13
O min.	14.00	19.00	19.00	19.00	19.00	27.00	27.00
P	18	25	25	25	25	36	36
V1	50	50	50	70	70	102	125
V2	70	70	70	102	102	-	-
W1	M6x12	M6x12	M6x12	M8x15	M8x15	M10x18	M12x20
W2	M8x15	M8x15	M8x15	M10x18	M10x18	-	-

Minimum customer switch or contactor rating 16Amp.

Performance		EL55	EL100	EL150	EL200	EL350	EL500	EL800
Torque (Nm)	Break	55	100	150	200	350	500	800
	Run	20	35	53	70	123	175	280
Speed (Sec.)	50Hz	6	7.5	9	13.5	22	25.5	25.5
	110V AC	1.1	2.9	2.9	2.9	2.9	2.9	4.5
	230V AC	0.6	1.7	1.7	1.7	1.7	1.7	2.3
Current (A) (Max.)	24V DC	5	8	8	8	8	8	-
	110V AC	100	225	225	225	225	225	315
	230V AC	72	200	200	200	200	200	305
Power (W)	24V DC	45	118	118	118	118	118	-
	Switches-Indication	4x16A	4x16A	4x16A	4x16A	4x16A	4x16A	4x16A
	Torque SPDT at 110/240VAC	-	2x16A	2x16A	2x16A	2x16A	2x16A	2x16A
Weight (Kg.)		6	11	11	16.5	17	25.5	26
Duty rating		30%	30%	30%	30%	30%	30%	30%

EL-O-MATIC

EMERSON
Process Management