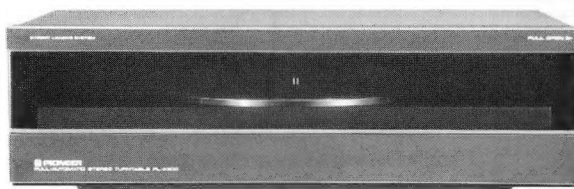


Operating Instructions
Bedienungsanleitung
Mode d'emploi
Istruzioni per l'uso

STEREO TURNTABLE
 STEREO-PLATTENSPIELER
 PLATINE TOURNE-DISQUE STÉRÉO
 GIRADISCHI STEREO

PL-X300

English; Page 1
 Deutsch; Seite 13
 Français; Page 25
 Italiano; Pag. 37



Thank you for buying this Pioneer product. Please read through these operating instructions and then you will know how to operate your model properly. After you have finished reading the instructions, put them away in a safe place for future reference. In accordance with the power and voltage requirements of differing areas, the following model names are used to designate models with differing electrical specifications.

Models	Line voltage
HE, HB, HP, HEZ, NE, NEZ	a.c. 220, 240 volts ~ (Switchable voltage)
WE, WB, WP	a.c. 220—240 volts ~
S, S/G, SS	AC 110, 120, 220, 240 volts (Switchable voltage)
D, D/G	AC 120, 220, 240 volts (Switchable voltage)
R, R/G	AC 110—120, 220—240 volts (Switchable voltage)
KU, KC	AC 120 volts
YP, YB	a.c. 240 volts ~

NOTES:

- The model names are stamped on the packing case.
- These operating instructions are prepared on the basis of the HE model, and they can be used for other models. Although the design of the power plug and the power outlet shown may differ from the actual one, the operating procedures are the same.

WARNING: TO PREVENT FIRE OR SHOCK HAZARD, DO NOT EXPOSE THIS APPLIANCE TO RAIN OR MOISTURE.

IMPORTANT NOTICE

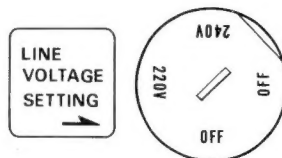
[For U.S.A. and Canadian models]

The serial number for this equipment is located on the rear panel. Please write this serial number on your enclosed warranty card and keep in a secure area. This is for your security.

LINE VOLTAGE SELECTOR SWITCH
 [Only multi voltage models are provided with this switch but U.S.A. and Canada models are not provided with this switch.]

The line voltage selector switch is located on the bottom surface of this turntable. Before your turntable is shipped from the factory, the switch is set to the power requirements of the turntable's destination. Check that it is set properly before plugging the power cord into the outlet. If the voltage is not properly set or if you move to an area where the voltage requirements differ, adjust the selector switch as follows:

- Provide yourself with a medium-sized screwdriver. Insert the tip of the screwdriver into the groove of the selector switch and turn it so that the power voltage marking of your area points to the arrow.



CONTENTS

One-touch auto play,		Maintenance	10
Remote Control	3	Specifications	11
Panel Facilities	4	Troubleshooting	12
Operations Before Use	5		
Record Play	7		

SAFETY INSTRUCTIONS

READ INSTRUCTIONS — All the safety and operating instructions should be read before the appliance is operated.

RETAIL INSTRUCTIONS — The operating instructions should be retained for future reference.

HEED WARNING — All warnings on the appliance and in the operating instructions should be adhered to.

FOLLOW INSTRUCTIONS — All operating and use instructions should be followed.

WATER AND MOISTURE — The appliance should not be used near water — for example, near a bathtub, washbowl, kitchen sink, laundry tub, in a wet basement, or near a swimming pool, etc.

LOCATION — The appliance should be installed in a stable location.

WALL OR CEILING MOUNTING — The appliance should not be mounted to a wall or ceiling.

VENTILATION — The appliance should be situated so that its location or position does not interfere with its proper ventilation. For example, the appliance should not be situated on a bed, sofa, rug, or similar surface that may block the ventilation openings; or, placed in a built-in installation, such as a bookcase or cabinet that may impede the flow of air through the ventilation openings.

HEAT — The appliance should be situated away from heat sources such as radiators, heat registers, stoves, or other appliances (including amplifiers) that produce heat.

POWER SOURCES — The appliance should be connected to a power supply only of the type described in the operating instructions or as marked on the appliance.

POWER-CORD PROTECTION — Power-supply cords should be routed so that they are not likely to be walked on or pinched by items placed upon or against them, paying particular attention to cords at plugs, convenience receptacles, and the point where they exit from the appliance.

POLARIZATION — If your purchased product is provided with a polarized power plug, please read the following instructions. This product is equipped with a polarized alternating current line plug (a plug having one blade wider than the other). This plug will fit into the power outlet only one way. This is a safety feature. If you are unable to insert the plug fully into the outlet, try reversing the plug. If the plug should still fail to fit, contact your electrician to replace your obsolete outlet. Do not defeat the safety purpose of the polarized plug.

CLEANING — The appliance should be cleaned only with a polishing cloth or a soft dry cloth. Never clean with furniture wax, benzene, insecticides or other volatile liquids since they may corrode the cabinet.

POWER LINES — An outdoor antenna should be located away from power lines.

NONUSE PERIODS — The power cord of the appliance should be unplugged from the outlet when left unused for a long period of time.

OBJECT AND LIQUID ENTRY — Care should be taken so that objects do not fall and liquids are not spilled into the enclosure through openings.

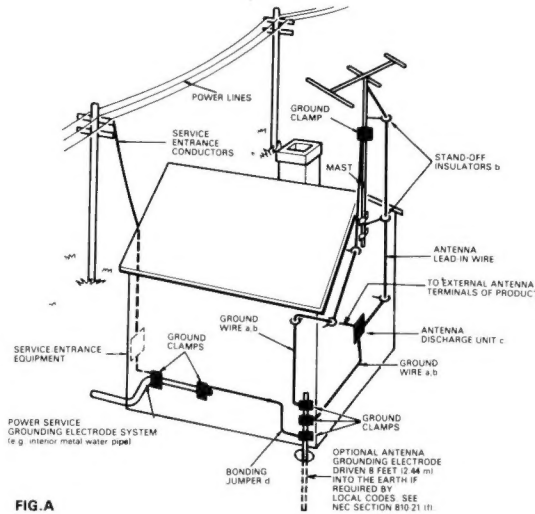
DAMAGE REQUIRING SERVICE — The appliance should be serviced by Pioneer authorized service center or qualified service personnel when:

- The power-supply cord or the plug has been damaged; or
- Objects have fallen, or liquid has been spilled into the appliance; or
- The appliance has been exposed to rain; or
- The appliance does not appear to operate normally or exhibits a marked change in performance; or
- The appliance has been dropped; or the enclosure damaged.

SERVICING — The user should not attempt to service the appliance beyond that described in the operating instructions. For all other servicing, contact the nearest Pioneer authorized service center.

OUTDOOR ANTENNA GROUNDING — If an outside antenna is connected to the antenna terminal, be sure the antenna system is grounded so as to provide some protection against voltage surges and built up static charges.

In the U.S.A. section 810 of the National Electrical Code, ANSI/NEPA No. 70-1984, provides information with respect to proper grounding of the mast and supporting structure, grounding of the lead-in wire to an antenna discharge unit, size of grounding conductors, location of antenna-discharge unit, connection to grounding electrodes, and requirements for the grounding electrode. See Fig. A.



- Use No. 10 AWG (5.3 mm²) copper, No. 8 AWG (8.4 mm²) aluminum, No. 17 AWG (1.0 mm²) copper-clad steel, bronze wire, or larger as ground wire.
- Secure antenna lead-in and ground wires to house with stand-off insulators spaced from 4 feet (1.22 meters) to 6 feet (1.83 meters) apart.
- Mount antenna discharge unit as closely as possible to where lead-in enters house.
- Use jumper wire not smaller than No. 6 AWG (13.3 mm²) copper or equivalent when separate antenna-grounding electrode is used.

FIG. A

IMPORTANT 1



The lightning flash with arrowhead, within an equilateral triangle, is intended to alert the user of the presence of uninsulated "dangerous voltage" within the product's enclosure that may be of sufficient magnitude to constitute a risk of electric shock to persons.



CAUTION:
TO PREVENT THE RISK OF ELECTRIC SHOCK, DO NOT REMOVE COVER (OR BACK). NO USER-SERVICEABLE PARTS INSIDE. REFER SERVICING TO QUALIFIED SERVICE PERSONNEL.



The exclamation point within an equilateral triangle is intended to alert the user of the presence of important operating and maintenance (servicing) instructions in the literature accompanying the appliance.

IMPORTANT 2

If the apparatus is fitted with AC mains power outlet(s), see REAR PANEL FACILITIES for convenient connection of additional Hi-Fi component(s). Make all connections to the AC outlet(s) and the signal terminals first. Connect the plug to the wall socket last, make sure that the power switch is off. Disconnect the wall plug when the equipment is not in (regular) use, e.g. when on vacation.

The power switch is secondary connected and therefore does not separate the unit from mains power in OFF (tonearm is on the rest) position.

FOR USE IN THE UNITED KINGDOM

WARNING: This plug must only be connected to electronic apparatus equipped with suitable sockets. Otherwise cut off and dispose of the plug, and fit an appropriate one in accordance with the instruction below.

The wires in this mains lead are coloured in accordance with the following code:

Blue: Neutral
Brown: Live

As the colours of the wires in the mains lead of this apparatus may not correspond with the coloured marking identifying the terminals in your plug proceed as follows:

The wire which is coloured blue must be connected to the terminal which is marked with the letter N or coloured black.

The wire which is coloured brown must be connected to the terminal which is marked with the letter L or coloured red.

ONE-TOUCH AUTO PLAY, REMOTE CONTROL

When this unit is used in combination with following Pioneer components, you can enjoy "One-touch auto play" which helps in reducing mistakes and the complexity of operations, and "Remote Control Operation," allowing you to operate the unit from a distance.

- Amplifier A-X900*, A-X700
- Tuner F-X700(L)
- Tape deck CT-X700W*, CT-X500
- Turntable PL-X500*, PL-X300
- CD player P-DX700

NOTE:

When using the A-X500 amplifier and F-X500(L), F-X300* tuner, one-touch auto play and remote control operation are not possible.

* Not available in some countries.

ONE-TOUCH AUTO PLAY FUNCTIONS

Auto Function Selection

This function means that manually setting of the amplifier's function switches is not necessary. Merely by performing one of the following actions, the function switch position is changed automatically, and other components are stopped:

- Press the tuner's [STATION CALL] switches to listen to ➡ [TUNER] FM/AM broadcasts
- Press the cassette deck's [REV] or [FWD] switch to play back a tape ➡ [TAPE 1]
- Press the turntable [START/STOP] switch to listen to a record ➡ [PHONO]
- Press the CD (compact disc) player's [PLAY] switch to play a compact disc ➡ [CD]

NOTE:

When using the double cassette deck (CT-X700W) in the tape copy mode to copy tapes, auto function selection is not performed.

Synchro Recording

By setting the cassette deck's [REC] and [PAUSE] switches to the ON position (recording standby mode), recording operations (recording start and stop) are linked automatically to the operation of the turntable and CD player.

Basic Operations in Synchro Recording

Turntable	CD player	Cassette Deck
Tonearm switch to DOWN, or stylus is lowered onto record.	PLAY switch ON (start playback)	Recording begins
Tonearm switch UP, or stylus is raised from surface of record.	STOP or PAUSE switches set to ON (stop playback)	Recording pause

REMOTE CONTROL OPERATIONS

Power ON/OFF (POWER STAND-BY/ON)

Linked to the tuner's power switch ON/OFF operations, other components are also turned ON/OFF.

Volume Control (VOLUME)

This allows you to control the amplifier's sound volume.

Tuner Functions (TUNER)

Allows you to switch between radio broadcasting stations (a total of 12 AM/FM stations can be selected).

CD Player Functions (COMPACT DISC)

Performs playback, stop, pause, track search (lets you look for selected programs).

Cassette Deck Functions (CASSETTE TAPE DECK)

Performs playback, reverse playback, rewind, fast forward, stop, pause, recording, and recording muting (for making non-recorded intervals) functions.

Turntable Functions (PLAYER)

Performs start and stop of playback.

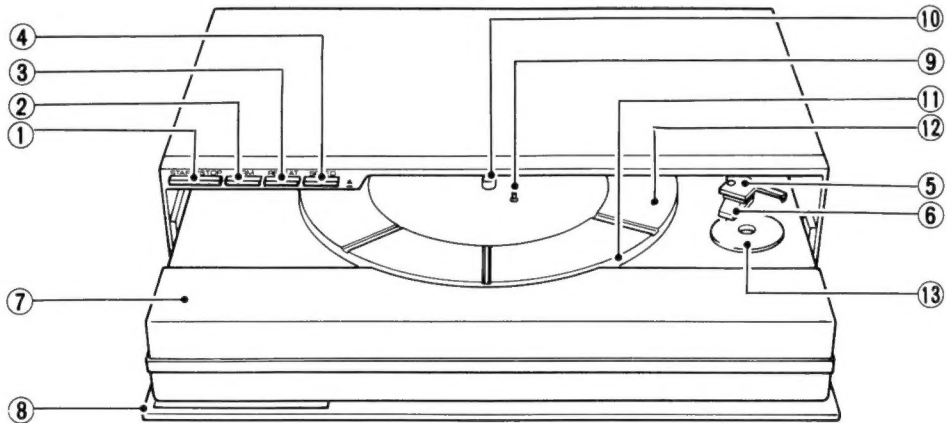
Turns Amplifier [VIDEO/AUX] Switch ON/OFF (VIDEO/AUX)

The operating section for the remote control is included with the tuner.

In addition to the remote control operation, one-touch play (auto function selection, synchro recording) may also be performed with the controls on the main unit.

ENGLISH

PANEL FACILITIES



① START/STOP switch

Press this to start or stop record play.

② ARM ELEVATION switch

- Use this switch for manual play.
- Use this switch to suspend record play temporarily.
- Use this switch when changing the tracks during actual play.

Depressed position:

The tonearm rises (the stylus moves away from the record).

Released position:

The tonearm descends (the stylus is lowered onto the record).

③ REPEAT switch

Set this switch for repeat play. (depressed position)

④ SPEED switch

Set this switch in accordance with the speed of the record which is to be played.

[45] (depressed position): For 45 rpm records.

[33] (released position): For 33-1/3 rpm records.

⑤ Headshell, Tonearm

⑥ Cartridge (PC-5MC)

The cartridge included with the player is an MC (moving coil) type, but with a high output voltage similar to that of an MM (moving magnet) type. For this reason, the output cord should be connected to your amplifier's MM input terminal. If the cord is connected to the amplifier's MC terminal, the sound may be distorted, and proper performance will not be delivered.

⑦ Slide base

⑧ Door

⑨ Record sensing pin

⑩ Platter shaft

⑪ Platter

⑫ Rubber mat

NOTE:

Always use the rubber mat which is supplied as an accessory with this unit. Using any other mat will cause the stylus tip height to change and may result in malfunctioning.

⑬ EP adapter/adapter holder

Slide the EP adapter over the platter shaft when the record you want to play has a large center hole. Keep the adapter on the holder when it is not in use.

NOTE:

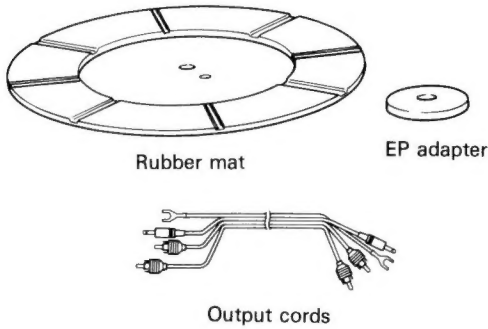
Make sure that you use the EP adapter which is supplied with this unit. Using any other adapter may invite contact with the stylus, with the result that the stylus may be damaged.

OPERATIONS BEFORE USE

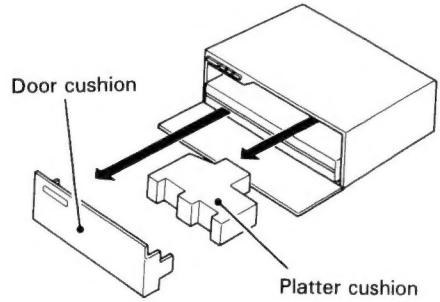
(Before using your turntable, carry out the instructions in Step 1 through Step 2.)

Step 1 ASSEMBLING THE TURNTABLE

(1) Check out the accessories.

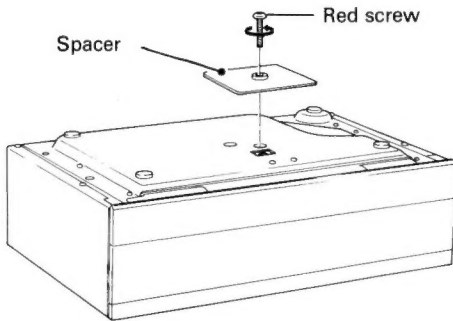


(2) Remove the platter cushion and door cushion inside.



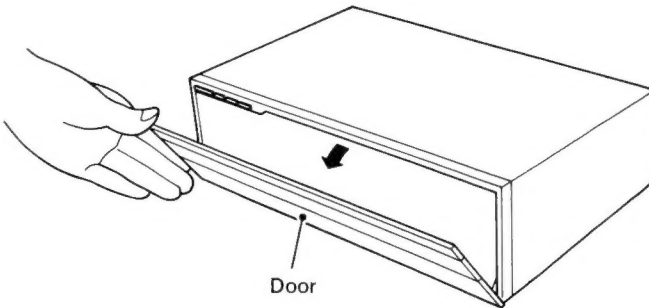
(2) Remove the transit screw and spacer.

- 1 Turn the turntable over and rotate the red screw in the direction of the arrow using an available Phillips head screwdriver to remove it.
- 2 Lift up the spacer and remove it.



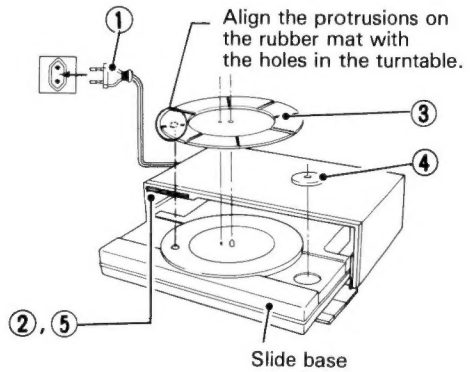
(3) Remove the transit cushions.

- 1 Open the door.

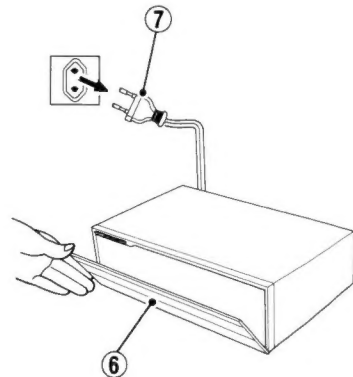


(4) Mount the EP adapter and rubber mat.

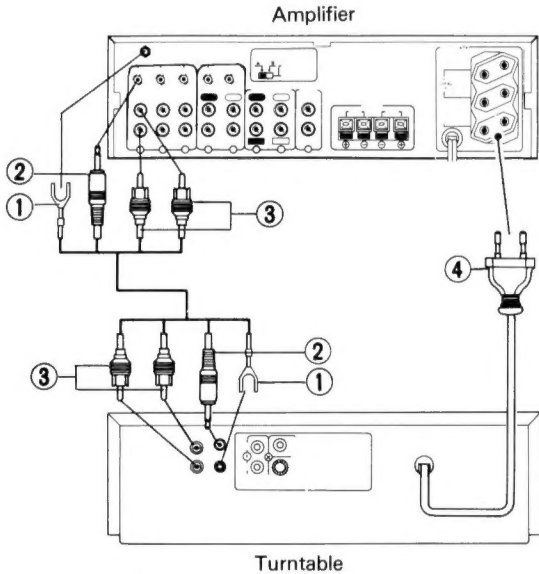
- 1 Connect the power plug to the AC outlet.
- 2 Press the START/STOP switch (the slide base now slides out in front).
- 3 Place the rubber mat on top of the platter.
- 4 Place the EP adapter in the holder.
- 5 Press the START/STOP switch (the slide base moves inside).



- 6 Close the door.
- 7 Disconnect the power cord from the AC outlet.



Step 2 CONNECTING THE TURNTABLE AND AMPLIFIER



(1) Connecting the ground wire

Attach the metal fitting to the turntable and amplifier's GND terminal.

(2) Connecting the auto function selector cord.

When using the Pioneer auto function system stereo amplifier (A-X900, A-X700), this cord is attached between the turntable and the auto function selector terminal on the amplifier.

NOTE:

When using an amplifier other than that with an auto function system, there is no need to attach this cord.

(3) Connecting the output cords

(Connected to terminal marked (1))

Insert the plugs into the unit's PHONO L and R terminals and also into the PHONO INPUT terminals on the amplifier.

- Connect the white plugs to the left (L) channel and the red plugs to the right (R) channel.
- Insert the plugs as far as they will go.

(4) Connecting the power cord

Connect the power plug to the UNSWITCHED auxiliary "AC OUTLET" on the amplifier or to a household power outlet.

AFTER HAVING CARRIED OUT STEPS 1 THROUGH 2, READ THROUGH THE FOLLOWING CHECKPOINTS.

■ **Incorrect connections at installation will lead to trouble.**

- If the equipment is connected improperly, no sound will be heard. If the output cord plugs are not inserted as far as they will go or if the ground wire is not connected, a humming noise will be heard through the speakers.
- If the turntable is installed at an angle, the tonearm will slide on the record and the sound will be distorted. If vibrations are transmitted to the turntable, the sound may be discontinuous or it may tremble, and in some cases howl (a prolonged wailing sound from the speakers) may be heard.

■ **Connection must be made to the amplifier's PHONO MM terminals.**

The cartridge included with the player is an MC (moving coil) type, but with a high output voltage similar to that of an MM (moving magnet) type. For this reason, the output cord should be connected to your amplifier's MM input terminal. If the cord is connected to the amplifier's MC terminal, the sound may be distorted, and proper performance will not be delivered.

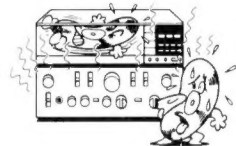
■ **The connecting cords should be given some slack.**

Check that none of the connecting cords are pulled taut after they have been connected. Tautness may lead to cord disconnections and howl.

■ **The load impedance of the accessory cartridge is 50 kilohms.**

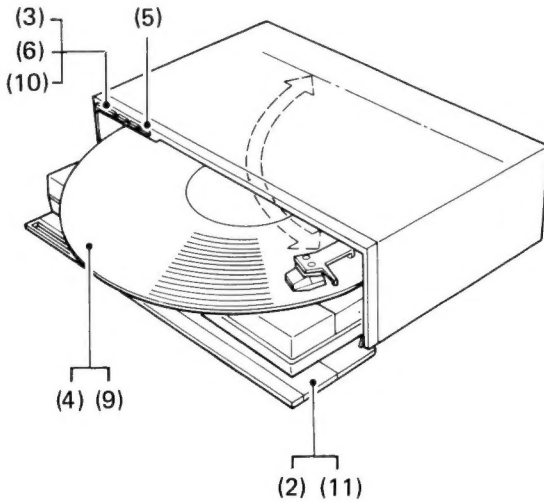
If your stereo amplifier is provided with a selector switch for the cartridge load impedance, set this switch to the cartridge's rated value.

Do not place the turntable on the amplifier or other equipment whose temperature may rise since the heat may cause the records to warp. For operating convenience and for minimizing the effect of vibrations, the turntable should be used installed at the bottom.



RECORD PLAY

RECORD PLAY PROCEDURE (AUTO PLAY)



(1) Set the stereo amplifier to the record play mode.

For details, refer to the Operating Instructions of the stereo amplifier.

(2) Open the door.

(3) Press the START/STOP switch.

The slide base moves out toward you.

(4) Place the record onto the platter.

(5) Press the SPEED switch and set the speed.

(6) Press the START/STOP switch to start play

NOTE:

The tonearm will move across to the 17 cm record position when records other than 30 cm LPs are to be played.

(7) Adjust the volume and tone using the controls on the stereo amplifier.

(8) Play ends.

When the last track is played, the slide base moves out toward you automatically.

(9) Remove the record from the platter.

Repeat the procedure from step (4) when replacing the record with another one which you want to listen to.

NOTE:

The power should not be switched off in this mode. To stop record play, first carry out step (10) and (11), and then switch off the power to the tuner and amplifier.

(10) Press the START/STOP switch.

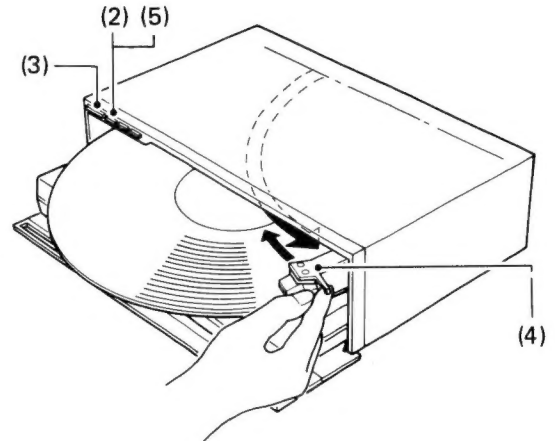
The slide base is retracted.

(11) Close the door.

MANUAL PLAY

Proceed with manual play in the following circumstances:

- When starting play at any track except the first.
- When the size of the record is not standard, making auto play impossible.



(1) Perform steps (1) through (5) of the RECORD PLAY PROCEDURE.

(2) Press the ARM ELEVATION switch to the fully depressed position.

(3) Press the START/STOP switch.

The platter starts rotating and the tonearm moves out.

(4) Move the tonearm with your hand.

NOTE:

- The tonearm cannot be moved to the outside from the stop position, due to the way in which its mechanism works, when step (3) is performed.
- To move the tonearm to the outside from the stop position for playing 25 cm records etc., first perform the following operation and then proceed step (4).

- ① Press the **ARM ELEVATION** switch to the released position. The stylus now descends onto the record.
- ② When play starts, press the **ARM ELEVATION** switch, setting it to the depressed position.
- ③ Move the tonearm with your hand across to the track which you want to listen to.

(5) Press the ARM ELEVATION switch and start record play.

(6) Adjust the volume and tone using the controls on the stereo amplifier.

(7) Play ends.

When the last track has been played, the platter automatically stops rotating and the tonearm returns. Proceed from step (2) when replacing the record with another one which you want to listen to.

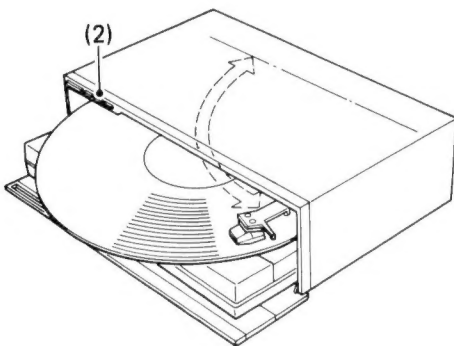
(8) Perform steps (9) through (11) of the RECORD PLAY PROCEDURE.

■ **When changing tracks during play**

- ① Press the **ARM ELEVATION** switch. (The stylus moves away from the record and play is stopped.)
- ② Move the tonearm across to the next track which you want to hear.
- ③ Press the **ARM ELEVATION** switch. (The stylus descends onto the record and play begins.)

REPEAT PLAY

One side of the record is repeatedly played automatically.



(1) Perform steps (1) through (7) of RECORD PLAY PROCEDURE and start auto play.

(2) Press the REPEAT switch to the ON position.

Set the switch to the depressed position.

(3) Play ends. Play is repeated.

When the last track is played, the tonearm automatically returns to the first track and play is repeated. Play is repeated until the repeat play mode is released.

■ **How to release repeat play.**

The repeat play mode is released by pressing the **REPEAT** switch again (setting it to the released position). This establishes the normal auto play mode.

NOTE:

After play ends, perform steps (9) through (11) of the RECORD PLAY PROCEDURE.

OPERATIONS FOR STOPPING PLAY

■ **When stopping play in the middle of a record**

(1) Press the START/STOP switch.

Play is stopped automatically in the following sequence:

- ① The platter stops rotating and the tonearm returns.
- ② The slide base moves out toward you.

(2) Perform steps (9) through (10) of the RECORD PLAY PROCEDURE.

■ **When suspending play temporarily**

(1) Press the ARM ELEVATION switch.

The stylus moves away from the record and play is suspended (the platter keeps rotating).

(2) Press the ARM ELEVATION switch again.

The stylus descends onto the record and play begins again.

RECORD PLAY PRECAUTIONS

- Do not use any platter mat except that supplied.

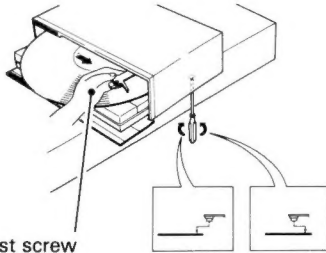
Using any other platter mat or record stabilizer may damage the stylus.

- Do not put your hand underneath the slide base.

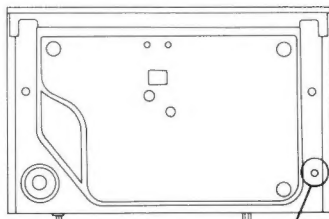
You may pinch your hand when the slide base is retracted inside the unit.

ADJUSTING THE STYLUS DESCENT POSITION

Proceed as follows when the stylus does not descend in the proper position on the record during auto play. While performing the adjustment, take care not to scratch the record with the stylus.



When turning the adjust screw and when confirming that the adjustment has been made properly, gently apply pressure to the tonearm in the direction of the arrow with your left hand.



Adjust screw
(This is located on the bottom panel.)

- (1) Perform steps (1) through (5) of the RECORD PLAY PROCEDURE.

(Place a 30 cm LP on the platter.)

- (2) Press the START/STOP switch and start auto play.

Check the direction and amount of stylus deviation (how many millimeters toward the inside or outside of the record's lead-in groove).

- (3) Set the ARM ELEVATION switch to the depressed position to raise the stylus.

- (4) Press the adjust screw gently using a small slot-head screwdriver in line with the amount and direction of the deviation and adjust as follows:

- Every semi-turn of the screw corrects the stylus descent position by about 9 mm.
- Rotate the screw clockwise if the stylus descends on the outside of the proper position.
- Rotate the screw counterclockwise if the stylus descends on the inside of the proper position.

- (5) Check the adjustment.

After the adjustment, push the headshell lightly toward the outside (direction of the arrow) and check that the stylus comes to rest at the lead-in groove on the outer circumference of the record. (During play the tonearm moves across to this position.)

MAINTENANCE

REPLACING THE STYLUS

- The service life of the stylus on the cartridge supplied ranges from 800 to 1,000 hours.

(If the stylus is used for 1 or 2 hours every day, it will last for one or two years.)

Using a worn or damaged stylus can damage the record and distort the sound reproduced. Remember to replace the stylus at the earliest possible date.

- Always use the PIONEER "PN-5MC" as the replacement stylus.

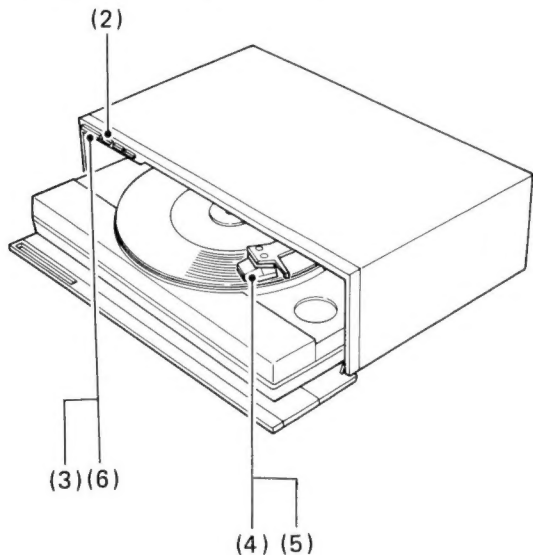
The cartridge used in this turntable was developed by PIONEER and so only the specially designed replacement stylus can be used. It can be purchased at your PIONEER dealer.

- Always obtain the genuine PIONEER replacement stylus.

PIONEER is not able to safeguard against deterioration in performance or possible mechanical trouble if a replacement stylus of another make is used. A genuine PIONEER replacement stylus always comes with the PIONEER mark. Check that this mark is on the stylus before purchasing it.

STYLUS REPLACEMENT PROCEDURE

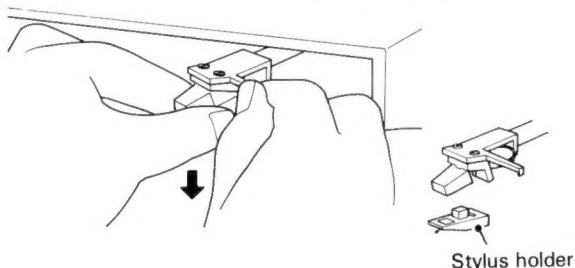
Turn down the stereo amplifier's volume control to the lowest position for this operation.



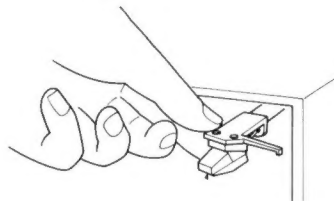
- (1) Perform steps (1) through (4) of RECORD PLAY PROCEDURE.
- (2) Set the ARM ELEVATION switch to the depressed position.

- (3) Press the START/STOP switch and cause the tonearm to move out.
- (4) Remove the stylus from the cartridge.

Hold the stylus holder and pull gently downward.



- (5) Mount the new stylus onto the cartridge.



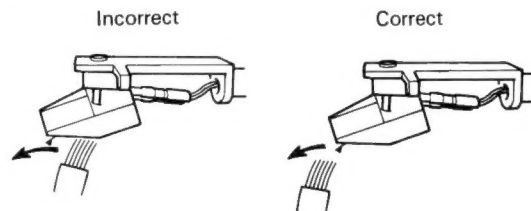
- (6) Press the START/STOP switch and retract the tonearm.

MAINTAINING THE STYLUS

- Use a soft brush

Move the brush toward you to clear off the dust and dirt. Do not use your finger since this will damage the stylus.

An extremely fine copper wire is wound at the base of the stylus attachment on the cartridge accompanying this unit. Since the use of a brush when cleaning the stylus may result in breakage of this fine wire, take great care not to touch the stylus base.



- When the dirt cannot be removed by a brush

Obtain some stylus cleaner from your dealer to remove. Do not allow any of the liquid to come into contact with the plastic parts as they may dissolve.

TROUBLESHOOTING

Incorrect operations are often mistaken for trouble and malfunctions. If you think that there is something wrong with this component, check out the points below. Sometimes, the trouble may lie in another component. Investigate the other components and electrical appliances being used.

If the trouble cannot be rectified even after exercising the checks listed below, ask your nearest PIONEER authorized service center or your dealer to carry out repair work.

Symptom	Possible cause	Remedy	Page no.
No power.	• Power plug is disconnected from outlet.	• Connect to stereo amplifier or wall outlet.	6
	• Stereo amplifier's power switch is OFF when unit's power plug has been plugged into SWITCHED outlet coupled to stereo amplifier's power switch.	• Set stereo amplifier's power switch to ON.	—
No sound.	• Improper output cord connections.	• Connect properly to stereo amplifier.	6
	• Dirty output cord pin plugs or stereo amplifier input jacks.	• Clean away dirt.	—
	• Improper cartridge and stylus mounting.	• Secure stylus and cartridge properly.	10
	• Incorrect stereo amplifier operation.	• Check positions of stereo amplifier's switches.	—
Noise or scratch noise. (crackling sound is heard.)	• Dust or dirt on record surface.	• Clean record with cleaner.	11
	• Warped record or scratches on record.	• Replace record.	—
Intermittent sound.	• Dirty output cord pin plugs or stereo amplifier input jacks.	• Clean away dirt.	—
Distorted sound.	• Dust or dirt on cartridge stylus.	• Clean stylus with brush.	10
	• Worn cartridge stylus.	• Replace stylus.	10
	• Dust or dirt on record surface.	• Clean record with cleaner.	11
	• Warped record or scratches on record.	• Replace record.	—
Howl (prolonged wailing sound heard through speakers when volume is turned up during play).	• Vibrations from speaker systems are being transmitted from floor to the record or cartridge.	• Place the turntable at a distance from speakers.	—
	• Sound pressure of speaker systems is being transmitted to cartridge directly.	• Place the turntable on a sturdy stand.	—
Humming noise (heard from speaker systems).	• Improper output cord or ground wire connections.	• Connect output cords and ground wire properly to stereo amplifier.	6
	• Improper cartridge and stylus mounting.	• Secure stylus and cartridge properly.	10
	• Effects of magnetic flux leakage being felt from stereo amplifier's power transformer, etc.	• Try changing position of stereo amplifier and turntable.	—
Odd sound tempo.	• SPEED switch position does not match rated record speed.	• Set switch to position corresponding to rated record speed (33 or 45).	4
Stylus does not descend onto correct position during play.	• Stylus descent position deviates.	• Adjust position properly.	9
	• Special record is being used.	• Replace record.	—
		• Use MANUAL PLAY	7

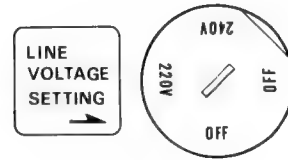
INHALT

Automatische Wiedergabe auf Tastendruck, Fernbedienung	14	Schallplattenwiedergabe	18
Einrichtungen an der Frontplatte	15	Wartung	21
Bedienungsschritte vor der Inbetriebnahme	16	Technische Daten	22
		Fehlersuchtafel	23

NETZSPANNUNGSWAHLSCHALTER

Der Netzspannungswahlschalter befindet sich am Gehäuseboden dieses Plattenspielers. Vor Auslieferung Ihres Plattenspielers aus dem Werk wird dieser Schalter in Übereinstimmung mit der Netzspannung des Bestimmungslandes eingestellt. Bevor Sie den Netzkabelstecker in eine Netzsteckdose stecken, prüfen Sie bitte nach, ob der Schalter richtig eingestellt ist. Wenn die Spannungseinstellung falsch ist oder Sie in ein Gebiet mit anderer Netzspannung umziehen, stellen Sie den Schalter wie folgt ein:

- Nehmen Sie einen Schraubenzieher mittlerer Größe. Stecken Sie die Schraubenzieherspitze in die Wahlschalternut und drehen Sie den Schalter so, daß die Netzspannungsmarkierung Ihres Wohngebiets auf den Pfeil ausgerichtet ist.



AUTOMATISCHE WIEDERGABE AUF TASTENDRUCK, FERNBEDIENUNG

Bei Verwendung dieses Gerätes zusammen mit den folgenden Pioneer-Bausteinen ist "automatische Wiedergabe auf Tastendruck" möglich, so daß weniger Bedienungsfehler gemacht werden und die Bedienungsschritte einfacher sind. Außerdem kann das Gerät mit Hilfe der "Fernbedienung" ferngesteuert werden.

- Verstärker A-X900*, A-X700
- Tuner F-X700(L)
- Kassettenbandgerät CT-X700W*, CT-X500
- Plattenspieler PL-X500*, PL-X300
- Compact-Disc-Spieler P-DX700

Zur Beachtung:

Bei Verwendung des Verstärkers A-X500 und des Tuners F-X500L sind automatische Wiedergabe auf Tastendruck und Fernbedienung nicht möglich.

*In einigen Ländern nicht erhältlich.

FUNKTIONEN FÜR AUTOMATISCHE WIEDERGABE AUF TASTENDRUCK

Automatische Funktionswahl

Durch diese Funktion erübrigt es sich, die Funktionsschalter des Verstärkers manuell einzustellen. Ausführen einer der folgenden Bedienungsschritte genügt, um die Funktionsschalterstellung automatisch zu ändern und andere Bausteine auszuschalten.

- Die Senderabrufschalter (STATION CALL) des Tuners drücken, um UKW/MW-Sendungen empfangen zu können. ➡ [TUNER]
- Den Rücklaufschalter (REV) oder Vorlaufschalter (FWD) des Kassettenbandgerätes drücken, um ein Band wiederzugeben. ➡ [TAPE 1]
- Den START/STOP-Schalter des Plattenspielers drücken, um eine Schallplatte abzuspielen. ➡ [PHONO]
- Den Wiedergabeschalter (PLAY) des Compact-Disc-Spielers drücken, um eine Compact-Disc abzuspielen. ➡ [CD]

Zur Beachtung:

Bei Verwendung des Doppelkassettenbandgerätes (CT-X700W) in der Bandkopier-Betriebstart zum Kopieren von Bändern erfolgt keine automatische Funktionswahl.

Synchronisierte Aufnahme

Bei Einstellung der Schalter für Aufnahme (REC) und Pause (PAUSE) des Kassettenbandgerätes auf ON (Aufnahmebereitschafts-Betriebsart) sind die Aufnahmevorgänge (Beginn und Beendigung der Aufnahme) automatisch mit den Bedienungsvorgängen des Plattenspielers und Compact-Disc-Spielers gekoppelt.

Grundsätzliche Bedienungsschritte für synchronisierte Aufnahme

Plattenspieler	Compact-Disc-Spieler	Kassettenbandgerät
Einstellen des Tonarmliftschalters auf DOWN (Absenken), oder Aufsetzen der Nadel auf die Schallplatte	Einstellen des Wiedergabeschalters (PLAY) auf ON (Beginn der Wiedergabe)	Aufnahme beginnt.
Einstellen des Tonarmliftschalters auf UP (Abheben), oder Abheben der Nadel von der Schallplattenoberfläche	Einstellen des Stoppschalters (STOP) oder Pausenschalters (PAUSE) auf ON (Beendigung der Wiedergabe)	Aufnahmepause.

FERNBEDIENUNGSVORGÄNGE

Ein-/Ausschaltung (POWER STANDBY/ON)

Durch Kopplung mit den Ein-/Ausschaltvorgängen des Tuner-Netzschalters (POWER) werden andere Bausteine ebenfalls ein- bzw. ausgeschaltet.

Lautstärkeregler (VOLUME)

Mit diesem Regler kann die Lautstärke des Verstärkers geregelt werden.

Tunerfunktionen (TUNER)

Diese Funktionen ermöglichen Umschaltung zwischen Sendern. (Insgesamt 12 MW/UKW-Sender können gewählt werden.)

Compact-Disc-Spielerfunktionen (COMPACT DISC)

Diese Funktionen ermöglichen Wiedergabe, Beendigung der Wiedergabe, Pause und Titelsuchlauf (Auffinden gewählter Programme).

Kassettenbandgerätefunktionen (CASSETTE TAPE DECK)

Diese Funktionen ermöglichen Wiedergabe, Rücklauf-Wiedergabe, Rückspulung, Bandlaufhalt, Pause, Aufnahme und Aufnahme-Stummschaltung (zum Schaffen von signalfreien Zwischenräumen).

Plattenspielerfunktionen (PLAYER)

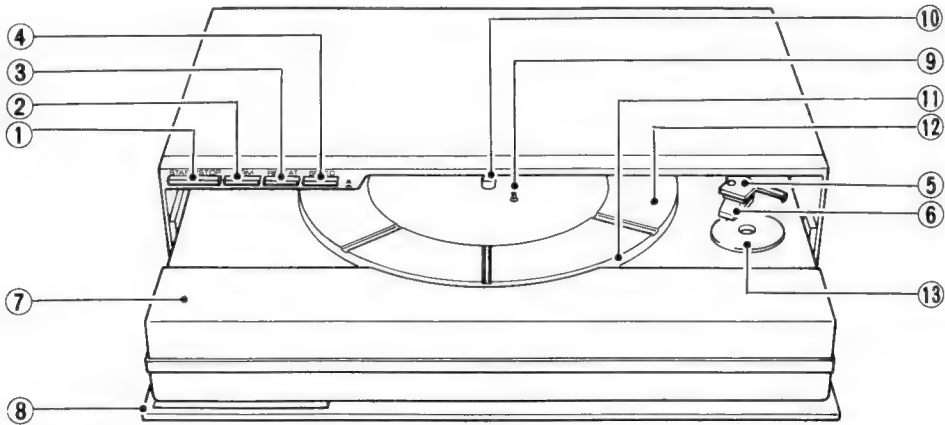
Zum Beginnen und Beenden der Wiedergabe.

Ein-/Ausschaltung des Schalters VIDEO/AUX des Verstärkers

Der Tuner weist einen Betriebsteil für Fernbedienung auf.

Die Bedienungselemente am Hauptgerät ermöglichen außer der Fernbedienung auch Wiedergabe auf Tastendruck (automatische Funktionswahl, synchronisierte Aufnahme).

EINRICHTUNGEN AN DER FRONTPLATTE



① START/STOP-Schalter

Diesen Schalter drücken, um mit der Schallplattenwiedergabe zu beginnen oder diese zu beenden.

② Tonarmliftschalter (ARM ELEVATION)

- Den Schalter für manuelle Wiedergabe betätigen.
 - Den Schalter zum vorübergehenden Unterbrechen der Schallplattenwiedergabe betätigen.
 - Den Schalter ebenfalls betätigen, um bei der eigentlichen Wiedergabe die Titel zu wechseln.
- Niedergedrückte Stellung:
Der Tonarm bewegt sich nach oben. (Die Nadel bewegt sich von der Schallplatte weg.)
- Ausgerastete Stellung:
Der Tonarm bewegt sich nach unten. (Die Nadel wird auf die Schallplatte abgesenkt.)

③ Wiederholschalter (REPEAT)

Diesen Schalter für wiederholtes Abspielen ausrasten.

④ Drehzahlschalter (SPEED)

Diesen Schalter in Übereinstimmung mit der Drehzahl der zum Abspielen vorgesehenen Schallplatte einstellen.

[45] (niedergedrückte Stellung): Für 45 U/min-Schallplatten.

[33] (ausgerastete Stellung): Für 33-1/3 U/min-Schallplatten.

⑤ Tonabnehmerträger, Tonarm

⑥ Tonabnehmersystem (PC-5MC)

Beim Tonabnehmersystem, mit dem der Plattenspieler bestückt ist, handelt es sich um eine elektrodynamische Ausführung, deren Ausgangsspannung jedoch so hoch ist wie diejenige eines Drehmagnet-Tonabnehmersystems. Aus diesem

Grunde sollte das Ausgangskabel an die MM-Eingangsbuchse des verwendeten Verstärkers angeschlossen werden. Wird das Kabel an die MC-Eingangsbuchse des Verstärkers angeschlossen, kann es vorkommen, daß der Klang verzerrt ist und sich keine zufriedenstellende Leistung erzielen läßt.

⑦ Gleitunterteil

⑧ Plattenspielertür

⑨ Schallplatten-Abtaster

⑩ Plattentellerachse

⑪ Plattenteller

⑫ Gummimatte

ZUR BEACHTUNG:

Stets die mit diesem Gerät als Zubehör gelieferte Gummimatte verwenden. Bei Verwendung einer anderen Matte ändert sich die Nadelhöhe, wodurch eine Betriebsstörung verursacht werden kann.

⑬ MITTELSTÜCK FÜR 17 CM-SCHALLPLATTEN/-MITTELSTÜCKHALTER

Das Mittelstück für 17 cm-Schallplatten auf die Plattentellerachse setzen, wenn die zum Abspielen vorgesehene Schallplatte ein großes Mittelloch aufweist.

Das Mittelstück auf dem Halter lassen, wenn es nicht verwendet wird.

ZUR BEACHTUNG:

Unbedingt das mit diesem Gerät gelieferte Mittelstück für 17 cm-Schallplatten verwenden. Bei Verwendung eines anderen Mittelstückes kann die Nadel durch Kontakt beschädigt werden.

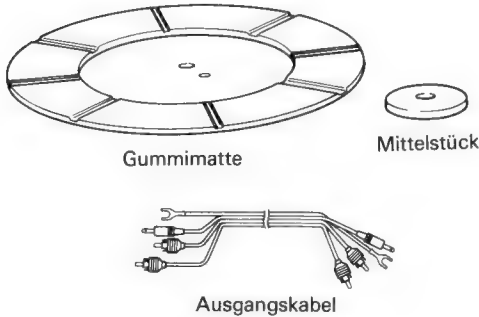
TECHNISCHE

BEDIENUNGSSCHRITTE VOR DER INBETRIEBNAHME

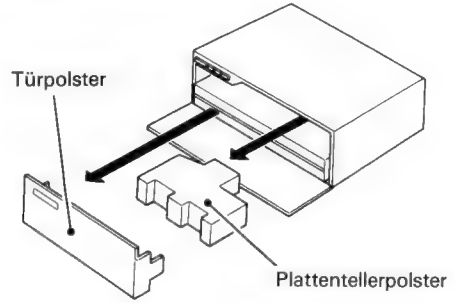
(Vor Inbetriebnahme dieses Plattenspielers die Anweisungen in den Schritten 1 und 2 ausführen)

Schritt 1 ZUSAMMENBAUEN DES PLATTENSPIELERS

(1) Die Zubehöerteile überprüfen.

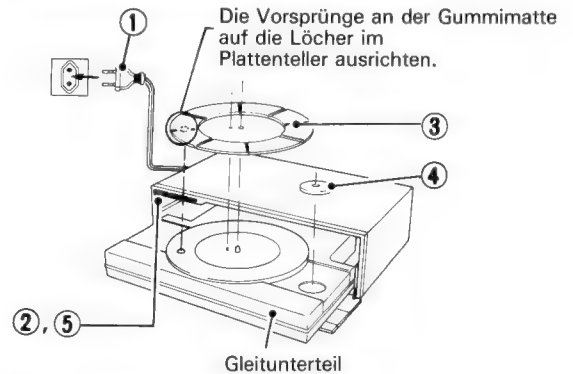


- ② Das Plattentellerpolster und innere Türpolster entfernen.

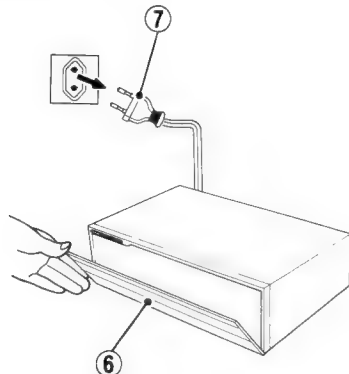


(4) Das Mittelstück für 17 cm-Schallplatten und die Gummimatte anbringen.

- ① Den Netzkabelstecker in eine Netzsteckdose stecken.
- ② Den START/STOP-Schalter drücken. (Der Gleitunterteil bewegt sich jetzt nach vorn heraus.)
- ③ Die Gummimatte auf den Plattenteller legen.
- ④ Das Mittelstück für 17 cm-Schallplatten auf den Halter setzen.
- ⑤ Den START/STOP-Schalter drücken. (Der Gleitunterteil bewegt sich nach innen.)

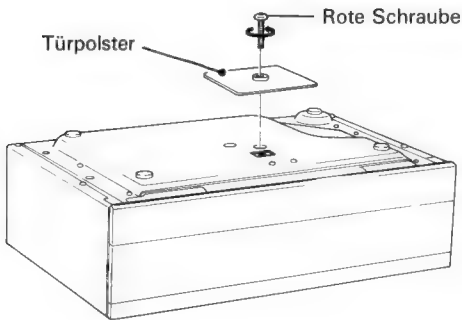


- ⑥ Die Plattenspieltür schließen.
- ⑦ Den Netzkabelstecker aus der Netzsteckdose ziehen.



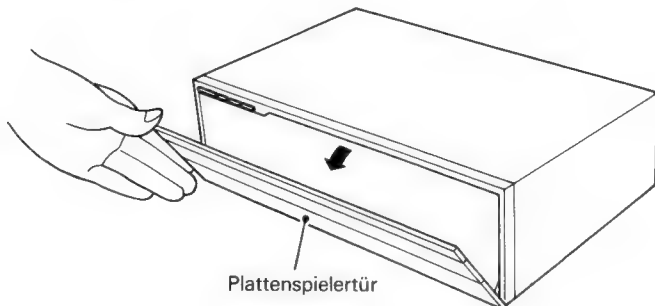
(2) Die Transportschraube und das Abstandsstück entfernen.

- ① Den Plattenspieler umdrehen und die rote Schraube mit einem Kreuzschlitzschraubenzieher zum Entfernen in Pfeilrichtung drehen.
- ② Das Abstandsstück zum Entfernen hochheben.

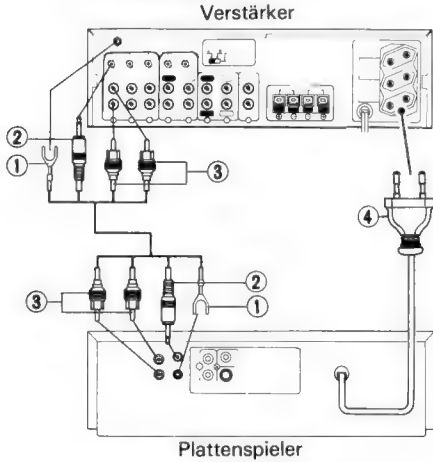


(3) Die Transportpolster entfernen.

- ① Die Plattenspieltür öffnen.



Schritt 2 ANSCHLIESSEN DES PLATTENSPIELERS UND VERSTÄRKERS



(1) Anschließen der Erdleitung

Das Metallstück an der Erdklemme (GND) des Plattenspielers und Verstärkers (für Plattenspielererdung) anbringen.

(2) Anschließen des Kabels für automatische Funktionswahl

Bei Verwendung des Pioneer-Stereo-Verstärkers mit automatischer Funktionswahl (A-X900, A-X700) wird dieses Kabel an den Plattenspieler und an die Funktionsautomatikwahlbuchse des Verstärkers angeschlossen.

Zur Beachtung:

Bei Verwendung eines Verstärkers ohne automatische Funktionswahl braucht dieses Kabel nicht angeschlossen zu werden.

(3) Anschließen der Ausgangskabel (Anschluß an die durch (1) gekennzeichnete Buchse.)

Die Kabelstecker in die linke (L) und rechte (R) Plattenspielerbuchse (PHONO) dieses Gerätes und in die Plattenspieler-Eingangsbuchsen (PHONO INPUT) des Verstärkers stecken.

- Die weißen Stecker in die Buchsen für den linken (L) Kanal und die roten Stecker in die Buchsen für den rechten (R) Kanal stecken.
- Die Stecker bis zum Anschlag hineinstecken.

(4) Anschließen des Netzkabels

Den Netzkabelstecker in den nicht abschaltbaren (UNSWITCHED) Reservenetzanschluss (AC OUTLET) des Verstärkers bzw. in eine Netzsteckdose stecken.

NACH AUSFÜHREN DER SCHRITTE 1 BIS 2 DIE FOLGENDEN PRÜFPUNKTE DURCHLESEN.

- **Falsche Anschlüsse bei der Aufstellung führen zu Betriebsstörungen.**
- Wenn die Geräte nicht richtig angeschlossen werden, erfolgt keine Klangwiedergabe. Werden die Ausgangskabelstecker nicht bis zum Anschlag in die Buchsen gesteckt, oder wird die Erdleitung nicht angeschlossen, ist ein Brummgeräusch über die Lautsprecher zu hören.
- Wird der Plattenspieler schräg aufgestellt, rutscht die Nadel auf der Schallplatte und Klangverzerrung ist die Folge. Wenn Vibrationen auf den Plattenspieler übertragen werden, kann es vorkommen, daß die Klangwiedergabe zeitweilig aussetzt oder schwankt und in manchen Fällen Heulen (ein langanhaltender Heulton von den Lautsprechern) zu hören ist.
- **Der Anschluß muß an die Eingangsbuchsen PHONO MM des Verstärkers vorgenommen werden.**

Beim Tonabnehmersystem, mit dem der Plattenspieler bestückt ist, handelt es sich um eine elektrodynamische Ausführung, deren Ausgangsspannung jedoch so hoch ist wie diejenige eines Drehmagnet-Tonabnehmersystems. Aus diesem Grunde sollte das Ausgangskabel an die MM-Eingangsbuchse des verwendeten Verstärkers angeschlossen werden. Wird das Kabel an die MC-Eingangsbuchse des Verstärkers angeschlossen, kann es vorkommen, daß der Klang verzerrt ist und sich keine zufriedenstellende Leistung erzielen läßt.

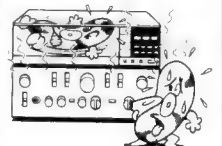
- **Die Belastungsimpedanz des mitgelieferten Tonabnehmersystems beträgt 50 Kiloohm.**

Wenn der verwendete Stereo-Verstärker mit einem Wahlschalter für die Tonabnehmersystem-Belastungsimpedanz ausgestattet ist, diesen Schalter auf den Nennwert des Tonabnehmersystems einstellen.

- **Die Ausgangskabel sollten nicht straff gespannt sein.**

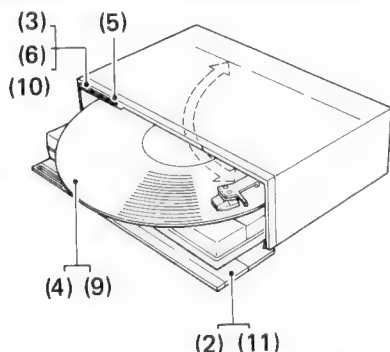
Sicherstellen, daß die Ausgangskabel nach dem Anschließen nicht straff gespannt sind, weil es sonst vorkommen kann, daß diese getrennt werden und Heulen auftritt.

Den Plattenspieler nicht auf den Verstärker oder auf einen anderen Baustein stellen, dessen Temperatur ansteigen kann, um ein Verziehen der Schallplatten durch Wärmeeinwirkung zu verhindern. Für Bedienungskomfort, und um Vibrationseinflüsse auf ein Minimum zu reduzieren, sollte der Plattenspieler unten aufgestellt werden.



SCHALLPLATTENWIEDERGABE

BEDIENUNG FÜR SCHALLPLATTENWIEDERGABE (AUTOMATISCHE WIEDERGABE)



- (1) Den Stereo-Verstärker auf die Betriebsart für Schallplattenwiedergabe einstellen.

Einzelheiten sind in der Bedienungsanleitung des Stereo-Verstärkers angegeben.

- (2) Die Plattenspieltür öffnen.
- (3) Den START/STOP-Schalter drücken.
- Der Gleitunterteil bewegt sich nach vorn heraus.
- (4) Eine Schallplatte auf den Plattenteller legen.
- (5) Den Drehzahl-Schalter (SPEED) drücken und die Drehzahl einstellen.
- (6) Den START/STOP-Schalter drücken, um mit der Wiedergabe zu beginnen.

ZUR BEACHTUNG:

Der Tonarm bewegt sich bis zur Position für 17cm-Schallplatten, wenn andere Schallplatten als 30cm-Langspielplatten abgespielt werden.

- (7) Die Lautstärke und Klangfarbe mit Hilfe der Regler am Stereo-Verstärker einstellen.
- (8) Wiedergabeende

Nach Abspielen des letzten Titels bewegt sich der Gleitunterteil automatisch nach vorn heraus.

- (9) Die Schallplatte vom Plattenteller entfernen.

Die Bedienung ab Schritt (4) wiederholen, wenn die Schallplatte gegen eine andere ausgewechselt wird.

ZUR BEACHTUNG:

Das Gerät sollte in dieser Betriebsart nicht ausgeschaltet werden. Um die Schallplattenwiedergabe zu beenden, zuerst die Schritte (10) und (11) ausführen, dann den Tuner und Verstärker ausschalten.

- (10) Den START/STOP-Schalter drücken.

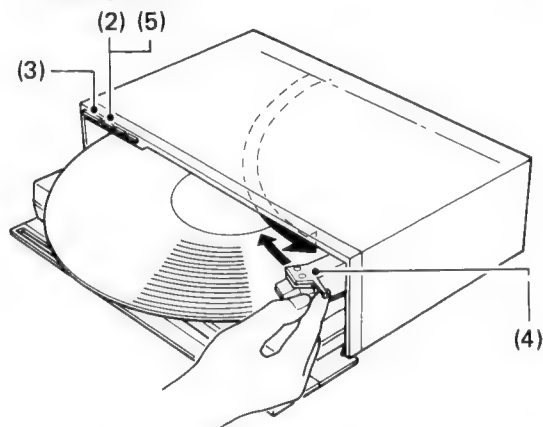
Der Gleitunterteil wird zurückgezogen.

- (11) Die Tür schließen.

MANUELLE WIEDERGABE

Manuelle Wiedergabe ist für die folgenden Fälle vorgesehen:

- Bei Beginn der Wiedergabe ab irgendeinem Titel mit Ausnahme des ersten.
- Wenn die Größe einer Schallplatte nicht normgemäß ist, so daß automatische Wiedergabe unmöglich ist.



- (1) Die Schritte (1) bis (5) des Abschnittes BEDIENUNG FÜR SCHALLPLATTENWIEDERGABE ausführen.
- (2) Den Tonarmliftschalter (ARM ELEVATION) ganz niederdrücken.
- (3) Den START/STOP-Schalter drücken.

Der Plattenteller beginnt sich zu drehen, und der Tonarm bewegt sich heraus.

- (4) Den Tonarm mit der Hand bewegen.

ZUR BEACHTUNG:

- Beim Ausführen des Bedienungsschrittes (3) kann der Tonarm wegen der Funktionsweise des Mechanismus nicht von der Halteposition aus nach außen bewegt werden.
 - Um den Tonarm zum Abspielen von 25cm-Schallplatten usw. von der Halteposition aus nach außen bewegen zu können, zuerst die folgenden Bedienungsschritte und dann den Schritt (4) ausführen.
- ① Den Tonarmliftschalter (ARM ELEVATION) durch Drücken ausrasten. Die Nadel wird jetzt auf die Schallplatte abgesenkt.

- ② Wenn die Wiedergabe beginnt, den Tonarmliftschalter (ARM ELEVATION) niederdrücken.
- ③ Den Tonarm über den zum Abspielen vorgesehenen Titel bewegen.

- (5) Den Tonarmliftschalter (ARM ELEVATION) drücken, um mit der Schallplattenwiedergabe zu beginnen.
- (6) Die Lautstärke und Klangfarbe mit Hilfe der Regler am Stereo-Verstärker einstellen.
- (7) Die Wiedergabe wird beendet.

Nach Abspielen des letzten Titels kommt der Plattenteller automatisch zum Stillstand und der Tonarm kehrt zurück. Mit der Bedienung ab Schritt (2) beginnen, wenn die Schallplatte gegen eine neue ausgetauscht wird.

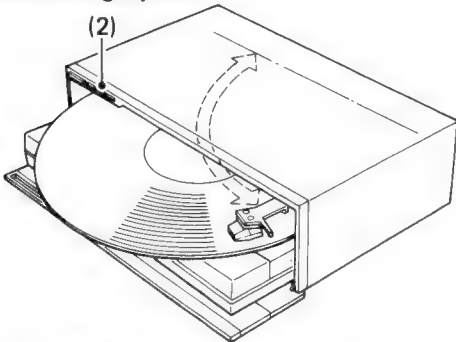
(8) Die Schritte (9) bis (11) des Abschnittes BEDIENUNG FÜR SCHALLPLATTENWIEDERGABE ausführen.

■ Bei Programmwechsel während der Wiedergabe

- ① Den Tonarmliftschalter (ARM ELEVATION) drücken. (Die Nadel bewegt sich von der Schallplatte weg, und die Wiedergabe wird beendet.)
- ② Den Tonarm über den nächsten Titel bewegen, der wiedergegeben werden soll.
- ③ Den Tonarmliftschalter (ARM ELEVATION) drücken. (Die Nadel wird auf die Schallplatte abgesenkt, und die Wiedergabe beginnt.)

WIEDERHOLTE WIEDERGABE

Eine Seite der Schallplatte wird automatisch wiederholt abgespielt.



- (1) Die Schritte (1) bis (7) des Abschnittes BEDIENUNG FÜR SCHALLPLATTENWIEDERGABE ausführen, um mit der automatischen Wiedergabe zu beginnen.

- (2) Den Wiederholschalter (REPEAT) in die Stellung ON (Ein) niederdrücken.

Den Schalter niederdrücken.

- (3) Am Wiedergabeende wird die Wiedergabe wiederholt.

Nach Abspielen des letzten Titels kehrt der Tonarm automatisch zum ersten Titel zurück, und die Wiedergabe wird wiederholt.

Die Wiedergabe wird bis zur Freigabe der Betriebsart für wiederholte Wiedergabe wiederholt.

■ Freigabe der Betriebsart für wiederholte Wiedergabe

Die Betriebsart für wiederholte Wiedergabe wird bei nochmaligem Drücken des Wiederholschalters (REPEAT) freigegeben (Schalter ist ausgerastet). Dadurch wird das Gerät auf die Betriebsart für normale automatische Wiedergabe eingestellt.

ZUR BEACHTUNG:

Nach der Wiedergabe die Schritte (9) bis (11) des Abschnittes BEDIENUNG FÜR SCHALLPLATTENWIEDERGABE ausführen.

BEDIENUNGSSCHRITTE ZUM BEENDEN DER WIEDERGABE

■ Bei Beendigung der Wiedergabe in der Mitte einer Schallplatte

- (1) Den START/STOP-Schalter drücken.

Die Wiedergabe wird in der folgenden Reihenfolge automatisch beendet:

- ① Der Plattenteller kommt zum Stillstand, und der Tonarm kehrt zurück.
- ② Der Gleitunterteil bewegt sich nach vorn heraus.

- (2) Die Schritte (9) bis (10) des Abschnittes BEDIENUNG FÜR SCHALLPLATTENWIEDERGABE ausführen.

■ Bei vorübergehender Unterbrechung der Wiedergabe

- (1) Den Tonarmliftschalter (ARM ELEVATION) drücken.

Die Nadel bewegt sich von der Schallplatte weg, und die Wiedergabe wird unterbrochen. (Der Plattenteller dreht sich weiter.)

- (2) Den Tonarmliftschalter (ARM ELEVATION) nochmals drücken.

Die Nadel wird auf die Schallplatte abgesenkt, und die Wiedergabe beginnt wieder.

HELSINKI

VORSICHTSMASSREGELN FÜR DAS ABSPIELEN VON SCHALLPLATTEN

- Außer der mitgelieferten Plattentellermatte keine andere verwenden.

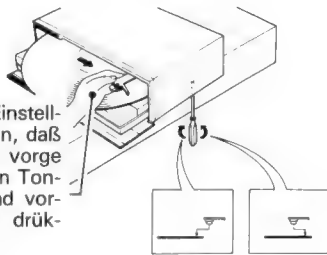
Bei Verwendung einer anderen Plattentellermatte oder Schallplattenstütze kann die Nadel beschädigt werden.

- Die Hand nicht unter den Gleitunterteil schieben.

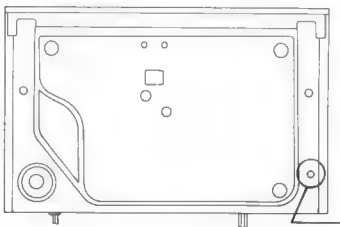
Bei Rückzug des Gleitunterteils in das Gerät kann es vorkommen, daß die Hand festgeklammert wird.

EINSTELLUNG DER NADELAUFSETZPOSITION

Wie folgt vorgehen, wenn die Nadel bei automatischer Wiedergabe nicht auf die richtige Schallplattenposition aufgesetzt wird. Bei dieser Einstellung darauf achten, daß die Schallplatte nicht durch die Nadel verkratzt wird.



Beim Drehen der Einstellschraube und Überprüfen, daß die Einstellung richtig vorgenommen worden ist, den Tonarm mit der linken Hand vorsichtig in Pfeilrichtung drücken.



Einstellschraube
(Diese befindet sich an der Bodenplatte.)

- (3) Den Tonarmliftschalter (ARM ELEVATION) niederdrücken, um die Nadel anzuheben.
- (4) Die Einstellschraube vorsichtig mit einem kleinen Kreuzschlitzschraubenzieher je nach Größe und Richtung der Abweichung drücken und wie folgt einstellen:
 - Bei jeder Halbdrehung der Schraube wird die Nadelaufsetzposition um ungefähr 9 mm berichtigt.
 - Die Schraube im Uhrzeigersinn drehen, wenn die Nadel außerhalb der richtigen Position aufgesetzt wird.
 - Die Schraube entgegen dem Uhrzeigersinn drehen, wenn die Nadel innerhalb der richtigen Position aufgesetzt wird.
- (5) Die Einstellung überprüfen.

Nach der Einstellung den Tonabnehmerträger leicht gegen die Außenseite (in Pfeilrichtung) drücken und nachprüfen, ob die Nadel an der Einlaufrille am Außenumfang der Schallplatte stoppt. (Bei der Wiedergabe bewegt sich der Tonarm bis zu dieser Position.)

(1) Die Schritte (1) bis (5) des Abschnittes BEDIENUNG FÜR SCHALLPLATTENWIEDERGABE ausführen.

(Eine 30cm-Langspielplatte auf den Plattenteller legen.)

- (2) Den START/STOP-Schalter drücken, und mit der automatischen Wiedergabe beginnen.

Nachprüfen, in welcher Richtung und wie weit die Nadel abweicht (wieviele Millimeter innerhalb oder außerhalb der Schallplatten-Einlaufrille).

WARTUNG

AUSWECHSELN DER NADEL

- Die Betriebslebensdauer der Nadel am mitgelieferten Tonabnehmersystem beträgt 800 bis 1000 Stunden.
(Wird die Nadel täglich 1 oder 2 Stunden benutzt, hält sie 1 oder 2 Jahre.)

Bei Verwendung einer abgenutzten oder beschädigten Nadel können die Schallplatten beschädigt und die Klangwiedergabe verzerrt werden. Daher die Nadel möglichst bald auswechseln.

- Besorgen Sie sich als Ersatznadel stets die PIONEER "PN-5MC" im Fachhandel.

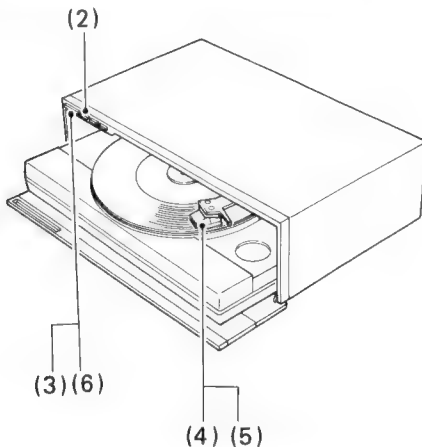
Das Tonabnehmersystem dieses Plattenspielers wurde von PIONEER entwickelt: Deshalb kann der Plattenspieler nur mit unserer Spezial-Ersatznadel bestückt werden. Sie erhalten sie bei Ihrem PIONEER-Fachhändler.

- Verwenden Sie nur eine Original-PIONEER-Ersatznadel.

Bei Verwendung einer Ersatznadel eines anderen Herstellers kann PIONEER nicht für gleichbleibende Klangqualität und Störungsfreiheit garantieren. Eine Original-PIONEER-Ersatznadel trägt stets das PIONEER-Firmenzeichen. Bevor Sie daher eine Ersatznadel kaufen, überzeugen Sie sich bitte, daß sie dieses Firmenzeichen aufweist.

VORGEHEN BEIM NADELWECHSEL

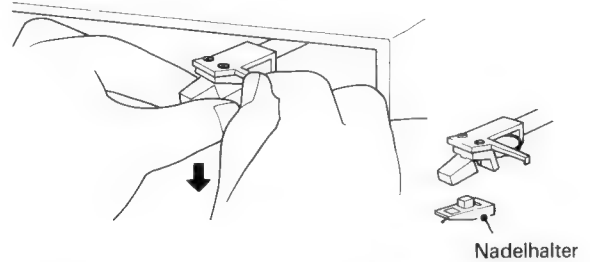
Den Lautstärkeregler des Stereo-Verstärkers für diesen Nadelwechsel ganz zurückdrehen.



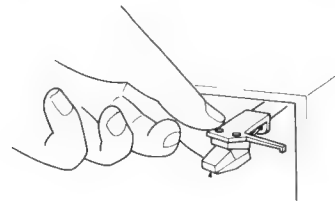
- (1) Die Schritte (1) bis (4) des Abschnittes **BEDIENUNG FÜR SCHALLPLATTENWIEDERGABE** ausführen.
- (2) Den Tonarmliftschalter (ARM ELEVATION) niederdrücken.

- (3) Den **START/STOP-Schalter** drücken, damit sich der Tonarm herausbewegt.
- (4) Die Nadel vom Tonabnehmersystem entfernen.

Den Nadelhalter festhalten und vorsichtig nach unten ziehen.



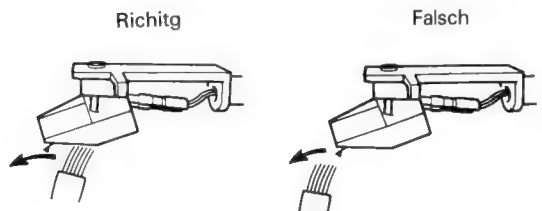
- (5) Die neue Nadel am Tonabnehmersystem anbringen.



- (6) Den **START/STOP-Schalter** drücken, um den Tonarm zurückzubewegen.

WARTEN DER NADEL

- **Einen weichen Pinsel verwenden.**
Den Pinsel nach vorn bewegen, um Staub und Schmutz zu entfernen. Keinen Finger benutzen, weil dadurch die Nadel beschädigt wird.
Ein außerordentlich dünner Kupferdraht ist um den unteren Teil des Nadelträgers an dem mit diesem Gerät gelieferten Tonabnehmersystem gewickelt. Da bei Verwendung eines Pinsels zum Reinigen der Nadel dieser dünne Draht reißen kann, unbedingt darauf achten, den Unterteil der Nadel nicht zu berühren.



- **Wenn der Schmutz nicht mit einem Pinsel entfernt werden kann**

Den Schmutz mit einem im Fachhandel erhältlichen Nadelreiniger entfernen. Darauf achten, daß keine Flüssigkeit auf die Kunststoffteile gelangt, weil sich diese auflösen können.

WARTEN DER SCHALLPLATTEN

- **Einen Schallplattenreiniger guter Qualität verwenden.**

Wenn Schallplatten mit einen trockenen Reiniger (Samt oder Nylonpinsel) gereinigt werden, kann es vorkommen, daß sich diese statisch aufladen und Geräuschentwicklung die Folge ist. Trockene Reinigungsmittel und Sprühmittel zum Entfernen von statischer Aufladung sind wirkungsvoller, um Staub zu beseitigen.

Kondensation

Wird dieser Plattenspieler von einer kalten Umgebung in einen warmen Raum gebracht, oder wenn die Raumtemperatur stark ansteigt, kann sich im Gerät Kondensation bilden, so daß sich dessen Leistung möglicherweise nicht voll ausnutzen läßt. In derartigen Fällen das Gerät ungefähr eine Stunde lang stehen lassen, oder die Raumtemperatur allmählich erhöhen.

TECHNISCHE DATEN

Motor und Plattenteller

Motor	Gleichstrom-Servomotor
Antriebssystem	Riemenantrieb
Drehzahlen	33-1/3 und 45 U/min
Gleichlaufschwankungen	Weniger als 0,045% (WRMS) ±0,065% WTD-Spitze (DIN)
Rumpel-Geräuschspannungsabstand	Mehr als 70 dB (DIN-B) (mit dem Pioneer-Tonabnehmersystem Modell PC-5MC)
Plattenteller	180 mm Durchmesser, aus Aluminiumlegierungs-Spritzguß

Tonarm

Typ

Integrierter, gerader Rohrarm

Technische Daten von PC-5MC

Typ	Elektrodynamisches Tonabnehmersystem
Nadel	0,5 Mil Diamant (PN-5MC)
Ausgangsspannung	2,2 mV (1 kHz, 5 cm/s LAT-Spitze)
Auflagekraft	1,7 bis 2,3 g (richtig: 2 g)
Frequenzgang	10 bis 32 000 Hz
Empfohlene Belastung	50 kΩ
Gewicht	3,3 g

Hilfsfunktionen

Vollautomatische Funktionen auf der Grundlage eines speziell für den Tonarm konzipierten Motors

Automatische Schallplattengrößenwahl (17 cm, 30 cm).

Tonarmliftmechanismus

Eingebaute Antiskatingeinrichtung

Schallplattenerkennung

Allgemeine Daten

Stromversorgung	Netzstrom 220/240 V, (umschaltbar), 50/60 Hz
Leistungsaufnahme	9 W
Abmessungen	320(B) x 98(H) x 210(T) mm
Gewicht	5 kg

Zubehör

Mittelstück für 45 U/min-Schallplatten	1
Bedienungsanleitung	1

ZUR BEACHTUNG:

Änderungen der technischen Daten und äußeren Aufmachung im Sinne von Verbesserungen jederzeit vorbehalten.

FEHLERSUCHTABELLE

Falsche Bedienung wird oft als Störung und Defekt misinterpretiert. Wenn Sie glauben, daß mit Ihrem Plattenspieler etwas nicht in Ordnung ist, überprüfen Sie ihn bitte anhand der untenstehenden Tabelle. Manchmal werden die Störungen von einem anderen Baustein verursacht. Untersuchen Sie den Stereo-Verstärker, die Lautsprecheranlage und sonstige verwendete elektrische Geräte.

Falls die Störung trotz Durchführung der Überprüfungen der Tabelle nicht beseitigt werden kann, lassen Sie den Plattenspieler im nächsten Pioneer-Kundendienstzentrum oder bei Ihrem Fachhändler reparieren.

Störung	Mögliche Ursache	Abhilfe	Seite Nr.
Keine Stromzufuhr.	• Der Netzkabelstecker steckt nicht fest in der Netzsteckdose.	• Den Stecker fest in den Netzanschluß des Stereo-Verstärkers oder in eine Netzsteckdose stecken.	17
	• Der Netzschalter des Stereo-Verstärkers steht auf OFF (Aus), wenn der Netzkabelstecker des Gerätes in den mit dem Netzschalter des Stereo-Verstärkers gekoppelten abschaltbaren Netzanschluß (SWITCHED) gesteckt wird.	• Den Netzschalter des Stereo-Verstärkers auf ON (Ein) einstellen.	—
Kein Ton.	• Falsche Ausgangskabelanschlüsse.	• Richtig den Stereo-Verstärker anschließen.	17
	• Schmutzige Ausgangskabel-Stiftstecker oder Eingangsbuchsen des Stereo-Verstärkers.	• Den Schmutz abwischen.	—
	• Falsche Befestigung des Tonabnehmersystems und der Nadel.	• Die Nadel und das Tonabnehmersystem richtig befestigen.	21
	• Falsche Bedienung des Stereo-Verstärkers.	• Die Stellungen der Schalter des Stereo-Verstärkers überprüfen.	—
Rauschen oder Kratzgeräusch. (Ein Prasselgeräusch ist zu hören.)	• Staub oder Schmutz befindet sich auf der Schallplattenoberfläche.	• Die Schallplatte mit einem Reiniger reinigen.	22
	• Verwellte oder verkratzte Schallplatte.	• Eine andere Schallplatte verwenden.	—
Zeitweilig aussetzende Klangwiedergabe.	• Schmutzige Ausgangskabel-Stiftstecker oder Eingangsbuchsen des Stereo-Verstärkers.	• Den Schmutz abwischen.	—
Verzerrter Klang.	• Schmutz oder Staub befindet sich auf der Abtastnadel.	• Die Nadel mit einem Pinsel reinigen.	21
	• Abgenutzte Abtastnadel.	• Die Nadel auswechseln.	21
	• Schmutz oder Staub befindet sich auf der Schallplattenoberfläche.	• Die Schallplatte mit einem Reiniger reinigen.	22
	• Verwellte oder verkratzte Schallplatte.	• Eine andere Schallplatte verwenden.	—
	• Vibrationen von den Lautsprecherboxen werden über den Boden auf die Schallplatte oder das Tonabnehmersystem übertragen.	• Den Plattenspieler von den Lautsprecherboxen entfernt aufstellen. • Den Plattenspieler auf einen stabilen Ständer stellen.	— —
Heulen (Ein langanhaltender Heulton ist über die Lautsprecher zu hören, wenn die Lautstärke während der Wiedergabe erhöht wird.)	• Schalldruck von den Lautsprecherboxen wird direkt auf das Tonabnehmersystem übertragen.	• Den Plattenspieler an einem anderen Platz aufstellen.	—
Brummgeräusch. (Wird über die Lautsprecherboxen wiedergegeben.)	• Falsche Ausgangskabel- oder Erdleitungsanschlüsse.	• Die Ausgangskabel und Erdleitung richtig an den Stereo-Verstärker anschließen.	17
	• Falsche Befestigung des Tonabnehmersystems und der Nadel.	• Die Nadel und das Tonabnehmersystem richtig befestigen.	21

PIONEER

FEHLERSUCHTABELLE

Störung	Mögliche Ursache	Abhilfe	Seite Nr.
Brummgeräusch. (Wird über die Lautsprecherboxen wiedergegeben.)	<ul style="list-style-type: none"> • Beeinflussung durch Magnetflußableitung vom Netztransformator des Stereo-Verstärkers usw. 	<ul style="list-style-type: none"> • Den Stereo-Verstärker und Plattenspieler anders aufstellen. 	—
Ungewöhnliche Tonhöhe.	<ul style="list-style-type: none"> • Die Einstellung des Drehzahlschalters (SPEED) stimmt nicht mit der Nenn-drehzahl der Schallplatte überein. 	<ul style="list-style-type: none"> • Den Schalter entsprechend der Nenn-drehzahl der Schallplatte einstellen (33 oder 45). 	15
Die Nadel wird bei Wiedergabe nicht auf die richtige Stelle abgesenkt.	<ul style="list-style-type: none"> • Die Nadelaufsetzposition weicht ab. 	<ul style="list-style-type: none"> • Die Aufsetzposition richtig einstellen. 	20
	<ul style="list-style-type: none"> • Eine Spezialschallplatte wird verwendet. 	<ul style="list-style-type: none"> • Eine andere Schallplatte verwenden. • In der manuellen Betriebsart abspielen. 	— 18

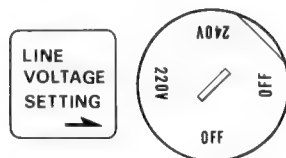
TABLE DES MATIÈRES

Lecture automatique par une touche, télécommand	26	Lecture d'un disque	30
Organes des panneaux	27	Entretien	33
Opérations à effectuer avant utilisation ...	28	Fiche technique	34
		Recherche des causes de pannes	35

SÉLECTEUR DE TENSION SECTEUR

Un sélecteur de tension secteur est prévu sur la surface inférieure du boîtier de cette platine-disque; avant la sortie de cet appareil de nos usines, ce sélecteur a été réglé en fonction de la région de destination mais, avant de brancher la fiche du cordon d'alimentation dans une prise secteur, il y a lieu de vérifier la compatibilité du réglage. Si le réglage du sélecteur ne convient pas à la tension ou si l'on déménage vers une région où la tension est différente, procéder comme suit à un réglage du sélecteur en question:

- Se munir d'un tournevis de taille moyenne, en insérer l'extrémité dans la rainure du sélecteur et tourner celui-ci de sorte que la valeur numérique de la tension de la région d'utilisation se trouve en face de la flèche.



"Pioneer déclare que cet appareil est conforme aux prescriptions de la directive 76/889/EEC (arrêté du 14/01/1980)."

LECTURE AUTOMATIQUE PAR UNE TOUCHE, TÉLÉCOMMANDE

Lorsque cet appareil est utilisé en combinaison avec les composants Pioneer suivants, on peut profiter des fonctions de "Lecture automatique par une touche" et de "Télécommande". La première simplifie les démarches d'exploitation et réduit les risques d'erreur, tandis que la seconde permet de contrôler les appareils à distance.

- Amplificateur A-X900*, A-X700
- Tuner F-X700L
- Magnétocassette CT-X700W*, CT-X500
- Platine-disque PL-X500*, PL-X300
- Lecteur CD P-DX700

NOTE:

La lecture automatique par une touche et la télécommande ne sont pas possibles avec l'amplificateur A-X500 et le tuner F-X500L.

*Pas disponible dans certains pays.

FONCTIONS DE LECTURE AUTOMATIQUE PAR UNE TOUCHE

Sélection automatique de la fonction

Cette fonction rend superflu tout réglage manuel des sélecteurs de fonction de l'amplificateur. En accomplissant simplement l'une des démarches ci-après, la position du sélecteur de fonction change automatiquement et les autres composants sont mis hors service:

- Pousée sur une des touches STATION CALL du tuner pour ➡ [TUNER] écouter les émissions FM/AM
- Pousée sur la touche (REV) ou (FWD) pour reproduire une bande ➡ [TAPE 1]
- Pousée sur la touche (START/STOP) de la platine-disque pour reproduire un disque ➡ [PHONO]
- Pousée sur la touche (PLAY) du lecteur CD pour écouter un compact disc ➡ [CD]

NOTE:

A l'emploi de la magnétocassette double (CT-X700W) pour le copiage d'une bande, la fonction de sélection automatique n'est pas utilisable.

Enregistrement synchronisé

En réglant les touches [REC] et [PAUSE] du magnétocassette à la position ON (mode d'attente à l'enregistrement), les démarches de mise en marche et d'arrêt de l'enregistrement sont automatiquement synchronisées au fonctionnement de la platine-disque ou du lecteur de compact disc.

Démarches fondamentales pour synchronisation d'enregistrement

Platine-disque	Lecteur CD	Magnétocassette
Le bras de lecture s'abaisse ou la pointe de lecture descend sur le disque.	Touche PLAY sur ON (mise en marche de la lecture)	L'enregistrement commence.
Le bras de lecture se relève ou la pointe de lecture se décolle de la surface du disque.	Touche STOP ou PAUSE sur ON (arrêt de la lecture)	L'enregistrement s'arrête.

DÉMARCHES DE TÉLÉCOMMANDE

Mise sous/hors tension (POWER STANDBY/ON)

En synchronisation avec la mise sous/hors tension par l'interrupteur d'alimentation du tuner, les autres composants sont également mis sous ou hors tension.

Réglage de l'intensité sonore (VOLUME)

Cette fonction permet de contrôler le volume sonore de l'amplificateur.

Fonctions du tuner (TUNER)

Permet de choisir entre les stations émettrices (sélection entre 12 stations AM/FM).

Fonctions du lecteur CD (COMPACT DISC)

Accomplit la lecture, l'arrêt, la pause et la recherche des plages (programmes choisis).

Fonctions du magnétocassette (CASSETTE TAPE DECK)

Accomplit les fonctions de lecture, lecture en marche arrière, rebobinage, avance rapide, arrêt, pause, enregistrement, sourdine à l'enregistrement (insertion d'espaces vierges).

Fonctions de la platine-disque (PLAYER)

Accomplit la mise en marche et l'arrêt de la lecture.

Mise sous/hors tension de l'amplificateur (VIDEO/AUX)

Les explications concernant la télécommande sont fournies avec le tuner.

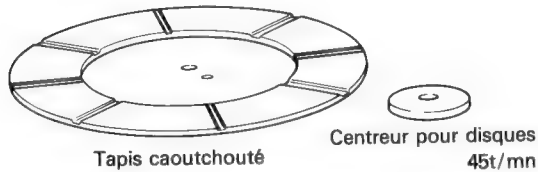
Outre le fonctionnement télécommandé, la lecture par une touche (sélection automatique de fonction, enregistrement synchronisé) est également possible par les commandes de l'unité principale.

OPÉRATION À EFFECTUER AVANT UTILISATION

Avant de mettre la platine en service, effectuer les préparatifs expliqués sous Démarche 1 et Démarche 2.

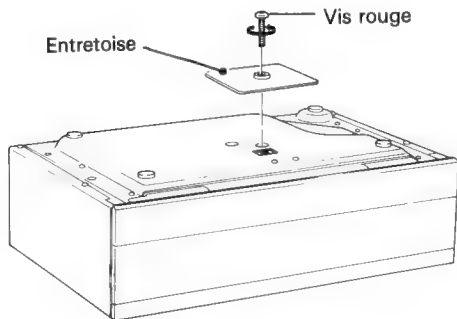
Démarche 1 ASSEMBLAGE DE LA PLATINE

(1) Vérifier la présence des divers accessoires.



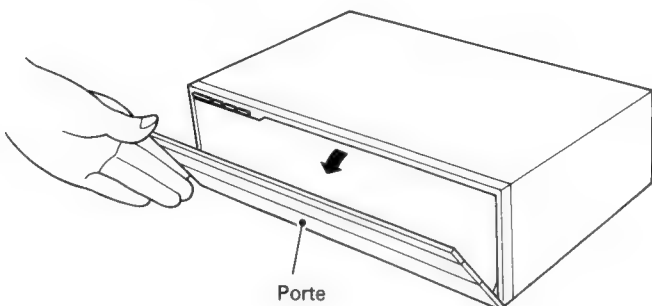
(2) Dépose des vis de transport et de l'entretoise.

- ① Rensover la platine-disque et, à l'aide d'un tournevis à tête cruciforme, déposer la vis rouge en la tournant dans le sens de la flèche.
- ② Soulever l'entretoise pour l'enlever.

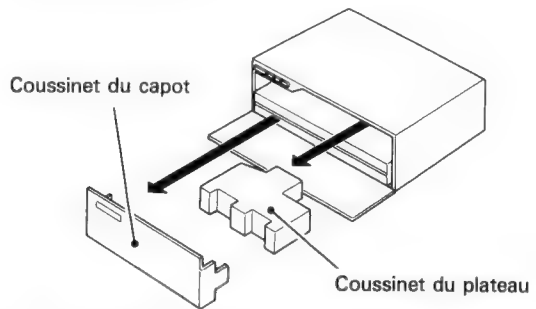


(3) Enlever les coussinets de transport.

- ① Ouvrir la porte.

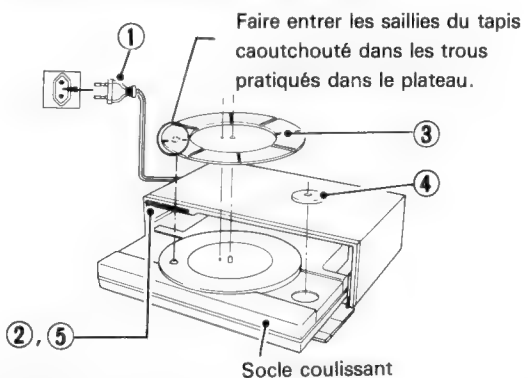


- ② Enlever le coussinet du plateau et le coussinet du capot à l'intérieur.

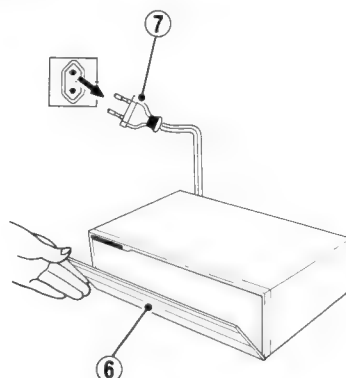


(4) Installer le centreur pour disques 45 t/mn. et le tapis caoutchouté.

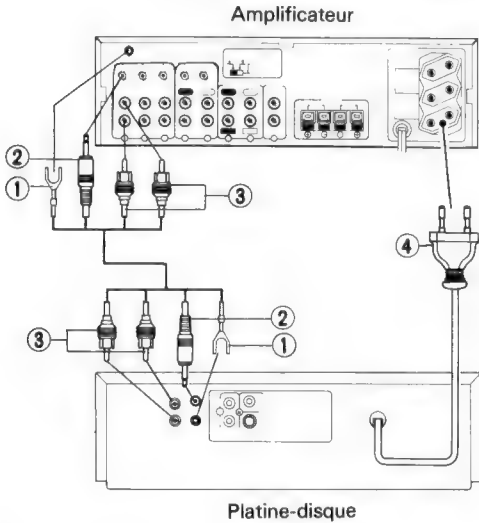
- ① Brancher la fiche du cordon d'alimentation dans une prise secteur.
- ② Appuyer sur l'interrupteur de marche/arrêt (START/STOP), ce qui fait ressortir le socle coulissant vers l'avant.
- ③ Déposer le tapis caoutchouté sur le dessus du plateau.
- ④ Placer le centreur pour disques 45 t/mn. sur son support.
- ⑤ Appuyer sur l'interrupteur START/STOP; le socle coulissant se déplace vers l'intérieur.



- ⑥ Refermer la porte.
- ⑦ Débrancher le cordon d'alimentation au niveau de la prise secteur.



Démarche 2 RACCORDEMENT DE LA PLATINE A L'AMPLIFICATEUR



(1) Branchement du fil de terre

Attacher le raccord métallique sur la borne GND (mise à la terre) de l'amplificateur et de la platine.

(2) Branchement du cordon de sélection automatique de fonction

À l'emploi d'un amplificateur stéréo à sélection automatique de fonction Pioneer (A-X900, A-X700), ce cordon doit être branché entre la platine disque et la borne de sélection automatique de l'amplificateur qui ne possède pas cette fonction.

(3) Branchement des cordons de sortie (Brancher à la borne marquée (1))

Insérer les fiches dans les bornes PHONO L (gauche) et R (droite) de l'appareil, ainsi que dans les bornes PHONO INPUT de l'amplificateur.

- Les fiches blanches se branchent sur le canal gauche (L) et les rouges sur le canal droit (R).
- Insérer les fiches à fond.

(4) Branchement du cordon d'alimentation

Brancher la fiche du cordon d'alimentation dans la prise secteur "AC OUTLET" auxiliaire UNSWITCHED prévue à l'arrière de l'amplificateur ou du tuner ou dans une prise ordinaire.

APRÈS AVOIR EFFECTUÉ LES DÉMARCHES DE (1) À (2), PROCÉDER AUX INSPECTIONS SUIVANTES

■ Toute erreur de branchement devient source d'ennui.

- Si les appareils sont mal raccordés, aucun son ne sera audible. En outre, si les fiches des cordons de sortie ne sont pas insérées à fond sur les bornes ou si le fil de terre n'est pas branché, un ronflement sera perceptible aux enceintes.
- Si la platine n'est pas à l'horizontale, le bras glissera sur le disque et le son sera distordu. Si des vibrations se transmettent à la platine, le son sera parfois interrompu ou instable et, dans certains cas, elles donneront naissance à un "hurlement", c.à.d. un son criard et prolongé, par réaction acoustique des haut-parleurs.

■ Le branchement doit toujours être fait aux bornes d'entrée PHONO MM de l'amplificateur.

La cellule, fournie avec la platine-disque, est du type à bobine mobile (MC), mais sa tension de sortie élevée est semblable à une de type à aimant mobile (MM). Pour cette raison, le cordon de sortie doit être raccordé sur la borne d'entrée MM de l'amplificateur. Si ce cordon est branché sur la borne MC de l'amplificateur, le son risque d'être distordu et l'on n'obtiendra pas des performances de qualité.

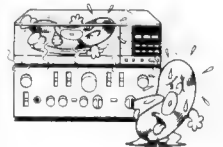
■ Les cordons de raccord ne peuvent pas être tendus.

S'assurer que les cordons ne sont pas étirés lorsqu'ils sont branchés car ils pourraient se déconnecter et donner lieu à un ronflement.

■ L'impédance de charge de la cellule fournie comme accessoire est de 50 k ohms.

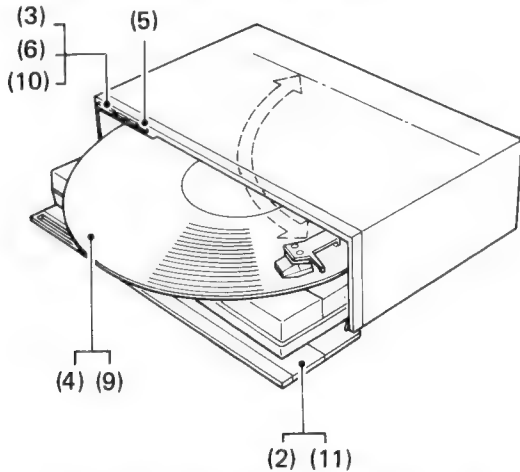
Si l'amplificateur utilisé est pourvu d'un sélecteur permettant de changer l'impédance de charge de la cellule, régler ce sélecteur à la valeur nominale de la cellule utilisée.

Ne pas placer la platine-disque sur un amplificateur ou un autre appareil dont une élévation de la température pourrait gondoler les disques. Pour la facilité de son utilisation et pour réduire l'effet des vibrations, la platine-disque doit être installée dans le bas d'une chaîne.



LECTURE DE DISQUES

LECTURE AUTOMATIQUE



(1) Régler l'amplificateur stéréo en mode de lecture de disques.

Pour les détails, se reporter au Mode d'emploi de l'amplificateur stéréo utilisé.

(2) Ouvrir la porte.

(3) Appuyer sur l'interrupteur START/STOP.

Le socle coulissant se déplace vers soi.

(4) Déposer un disque sur le plateau.

(5) Régler le sélecteur de vitesse (SPEED) à la vitesse requise.

(6) Appuyer sur l'interrupteur de marche/arrêt (START/STOP) pour commencer la lecture du disque.

NOTE:

Le bras de lecture se déplace jusqu'à la position d'un disque de 17 cm lorsque des disques autres que des microsillons de 30 cm doivent être lus.

(7) Ajuster le volume et les tonalités avec les commandes de l'amplificateur stéréo.

(8) À la fin de la lecture.

Lorsqu'est terminée la lecture de la dernière plage du disque, le socle coulissant se déplace vers soi automatiquement.

(9) Enlever le disque placé sur le plateau.

Après avoir remplacé le disque par un autre, répéter les démarches à partir du point (4).

NOTE:

L'alimentation électrique ne pourra pas être coupée pendant ce mode de lecture. Pour arrêter la lecture d'un disque, effectuer tout d'abord les démarches (10) et (11), puis couper l'alimentation électrique du tuner et de l'amplificateur.

(10) Appuyer sur l'interrupteur de marche/arrêt (START/STOP).

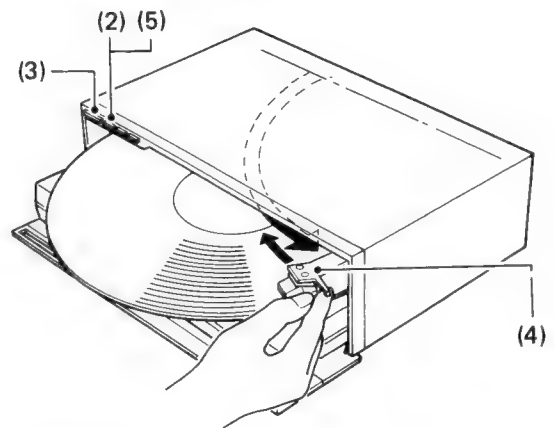
Le socle coulissant se rétracte.

(11) Refermer la porte.

LECTURE MANUELLE

Utiliser le mode de lecture manuelle dans les cas suivants:

- Pour commencer la lecture à n'importe quelle plage sauf la première.
- A la lecture d'un disque d'un diamètre non standard pour lequel la lecture automatique n'est pas possible.



(1) Effectuer les démarches de (1) à (5) sous "LECTURE DE DISQUES".

(2) Appuyer sur l'interrupteur de lève-bras (ARM ELEVATION) à la position enfoncée.

(3) Appuyer sur l'interrupteur de marche/arrêt (START/STOP).

Le plateau commence à tourner et le bras de lecture se déplace vers l'extérieur.

(4) Déplacer le bras de lecture à la main.

NOTE:

Au cours de la démarche expliquée en (3), il est impossible de déplacer le bras de lecture vers l'extérieur à partir de sa position d'arrêt, et ce en raison de son mécanisme interne. Pour écarter le bras vers l'extérieur à partir de la position d'arrêt en vue, par exemple, d'effectuer la lecture d'un disque de 25 cm, procéder tout d'abord à la démarche suivante, puis passer aux explications du point (4).

- ① Appuyer l'interrupteur de lève-bras (ARM ELEVATION) à la position relâchée. La pointe de lecture descend alors sur le disque.

- ② Lorsque la lecture commence, appuyer sur l'interrupteur de lève-bras (ARM) et le placer à la position enfoncée.
- ③ Amener le bras de lecture au-dessus de la plage où l'on désire commencer la lecture.

(5) Appuyer sur l'interrupteur de lève-bras (ARM ELEVATION) pour déclencher la lecture.

(6) Ajuster le volume et les tonalités avec les commandes de l'amplificateur stéréo.

(7) À la fin de la lecture.

Lorsqu'est terminée la lecture de la dernière plage du disque, le plateau s'arrête automatiquement de tourner tandis que le bras revient sur son support. Après avoir remplacé le disque par un autre, répéter les démarches à partir du point (2).

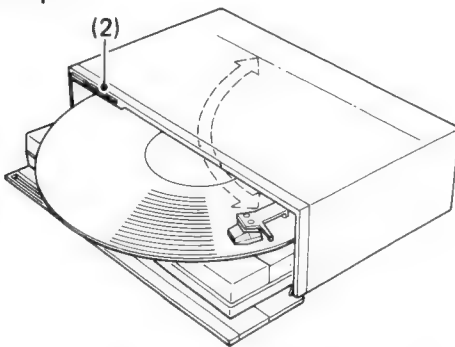
(8) Effectuer les démarches de (9) à (11) sous "LECTURE DE DISQUES".

■ **Pour changer de plage au cours de la lecture**

- ① Appuyer sur l'interrupteur du lève-bras (ARM ELEVATION). La pointe de lecture se décolle de la surface du disque et la lecture est interrompue.
- ② Amener le bras de lecture juste au-dessus de la plage que l'on désire écouter.
- ③ Appuyer sur l'interrupteur de lève-bras (ARM ELEVATION), ce qui fait descendre la pointe sur le disque et commencer la lecture.

LECTURE REPÉTÉE

Répétition automatique de la lecture d'une face d'un disque.



- (1) Effectuer les démarches de (1) à (7) sous "LECTURE DE DISQUES" et procéder à la lecture automatique.**

(2) Enfoncer l'interrupteur de répétition (REPEAT) à la position ON.

Régler l'interrupteur à la position enfoncée.

(3) Lorsque la lecture est terminée, elle reprend au début.

Lorsqu'est terminée la lecture de la dernière plage du disque, le bras revient de lui-même à la première et la lecture recommence.

Ce fonctionnement se répète indéfiniment jusqu'à ce que le mode de lecture soit annulé.

■ **Comment annuler la lecture répétée.**

Le mode de lecture répétée s'annule par une nouvelle poussée sur l'interrupteur REPEAT, de manière à le placer à la position relâchée, ce qui ramène l'appareil au mode de lecture automatique normal.

NOTE:

Après la lecture, effectuer les démarches de (9) à (11) sous "LECTURE DE DISQUES".

DÉMARCHES POUR L'ARRÊT DE LA LECTURE

■ **Arrêt de la lecture au milieu d'un disque**

(1) Appuyer sur l'interrupteur de marche/arrêt (START/STOP).

La lecture s'arrête automatiquement de la manière suivante:

- ① Le plateau s'arrête de tourner et le bras revient sur son support.
- ② Le socle coulissant se déplace vers soi.

(2) Effectuer les démarches de (9) et (10) sous "LECTURE DE DISQUES".

■ **Interruption momentanée de la lecture**

(1) Appuyer sur l'interrupteur de lève-bras (ARM ELEVATION).

La pointe de lecture se décolle de la surface du disque et la lecture est interrompue, tandis que le plateau continue à tourner.

(2) Appuyer sur l'interrupteur de lève-bras (ARM ELEVATION) à nouveau.

La pointe de lecture descend sur la surface du disque et la lecture recommence.

PRÉCAUTIONS À PRENDRE À LA LECTURE DE DISQUES

- Ne jamais utiliser un tapis de plateau différent de celui qui est fourni.

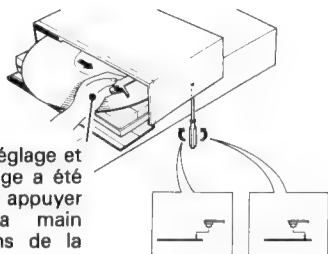
Si l'on utilise un autre tapis ou un stabilisateur de disques différent, on risque d'abîmer la pointe de lecture.

- Ne pas mettre la main sous le socle coulissant.

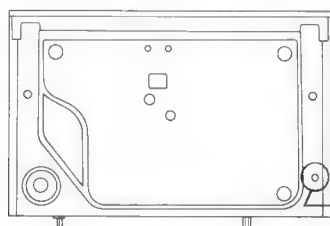
On risque de se coincer la main lorsque le socle coulissant rentre à l'intérieur de l'appareil.

RÉGLAGE DE LA POSITION DE DESCENTE DE LA POINTE DE LECTURE

Si la pointe de lecture ne descend pas à la position exacte sur le disque, effectuer le réglage suivant, en veillant à ne pas endommager le disque par la pointe.



Pour visser la vis de réglage et s'assurer que le réglage a été correctement réalisé, appuyer doucement avec la main gauche, dans le sens de la flèche sur le lève-bras.



Vis de réglage
(Elle se trouve sur le fond de l'appareil.)

(1) Effectuer les démarches de (1) à (5) sous "LECTURE DE DISQUES".

(Déposer un disque microsillon de 30 cm sur le plateau.)

(2) Appuyer sur l'interrupteur de marche/arrêt (START/STOP) pour commencer la lecture automatique.

Observer la direction et le degré de déviation, c.à.d. de combien de millimètres la pointe descend vers l'intérieur ou l'extérieur du sillon d'amorce.

(3) Mettre l'interrupteur de lève-bras (ARM) à la position enfoncée pour relever la pointe.

(4) Agir sur la vis de réglage en procédant délicatement avec un petit tournevis cruciforme et le tourner dans le sens et selon de degré de déviation de la pointe; ajuster comme suit:

- Chaque demi-rotation de la vis correspond à un déplacement de 9 mm environ du point de descente.
- Tourner la vis dans le sens horaire si la pointe descend à l'extérieur du sillon d'amorce.
- Tourner la vis dans le sens contraire si la pointe descend à l'intérieur du sillon d'amorce.

(5) Vérifier l'exactitude du réglage.

Après ce réglage, pousser légèrement la coquille vers l'extérieur (sens de la flèche) et s'assurer que la pointe s'arrête au sillon d'amorce sur la circonférence extérieure du disque. (Pendant la lecture, le bras se déplace au-dessus du disque jusqu'à cette position.)

ENTRETIEN

REPLACEMENT DE LA POINTE DE LECTURE

- L'autonomie de la pointe montée sur la cellule fournie est de 800 à 1 000 heures. (C'est-à-dire qu'à raison d'une utilisation quotidienne d'une à deux heures, elle durera un ou deux ans.)

Etant donné que l'emploi d'une pointe usée ou endommagée abîme les disques et ne donne qu'un son distordu, nous recommandons de remplacer la pointe le plus rapidement possible.

- **Lorsqu'une nouvelle pointe de lecture est nécessaire, se procurer et utiliser la "PN-5MC" de Pioneer.**

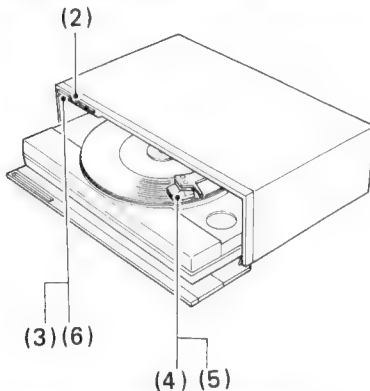
La cellule utilisée sur cette platine tourne-disque a été réalisée par Pioneer; c'est pourquoi on ne l'équipera que de la pointe de lecture Pioneer spécifiée que l'on pourra se procurer chez un concessionnaire Pioneer.

- **Utiliser uniquement une pointe de lecture Pioneer d'origine.**

Pioneer décline toute responsabilité à l'égard d'une baisse des performances ou des défaillances mécaniques rencontrées, s'il est fait usage d'une pointe de lecture d'une autre marque. Une pointe de lecture Pioneer d'origine porte toujours la marque PIONEER et, avant l'achat, on vérifiera sa présence.

REPLACEMENT DE LA POINTE DE LECTURE

Avant ce travail, réduire la commande de volume de l'amplificateur stéréo à sa position minimum.

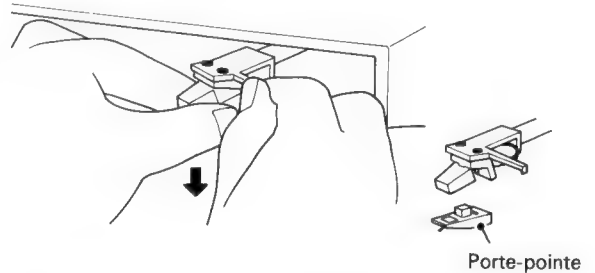


- (1) Effectuer les démarches de (1) à (4) sous "LECTURE DE DISQUES".
- (2) Appuyer sur l'interrupteur de lève-bras (ARM ELEVATION) à la position enfoncée.

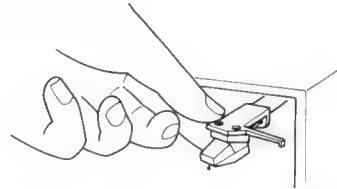
- (3) Appuyer sur l'interrupteur de marche/arrêt (START/STOP) pour faire ressortir le bras.

- (4) Détacher la pointe de la cellule.

Tenir le porte-pointe et le tirer délicatement vers le bas.



- (5) Installer la nouvelle pointe sur la cellule.

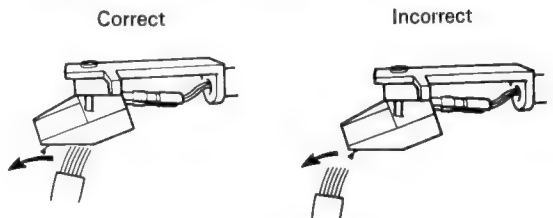


- (6) Appuyer sur l'interrupteur de marche/arrêt (START/STOP) pour faire rentrer le bras.

ENTRETIEN DE LA POINTE DE LECTURE

- **Utiliser un pinceau doux**

Déplacer vers soi le pinceau pour faire disparaître les poussières et ne pas toucher la pointe avec les doigts. Un fil de cuivre extrêmement fin est enroulé sur la base du porte-pointe de la cellule, fournie avec cet appareil. Lors d'un nettoyage de la pointe à l'aide d'un pinceau, prendre bien soin de ne pas briser ce fin fil en touchant la base de la pointe de lecture.



- **Si le pinceau ne suffit pas à enlever la poussière**

Se procurer un produit de nettoyage pour pointe chez un spécialiste, mais, sous peine qu'elles se dissolvent, ne pas en mettre sur les pièces en plastique.

ENTRETIEN DES DISQUES

- **Utiliser un produit de nettoyage pour disques de bonne qualité.**

Le fait de nettoyer les disques avec une brosse de nylon ou de velours résulte souvent en une production d'électricité statique, source de parasites. L'emploi de nettoyeurs liquides ou de vaporisateurs anti-électricité statique est plus efficace pour faire disparaître la poussière.

CONDENSATION

Il peut arriver qu'une condensation se forme à l'intérieur de l'appareil qui ne pourrait plus déployer toutes ses possibilités s'il devait être amené brusquement d'un local froid dans une pièce chauffée ou encore si l'on devait élever rapidement la température de la salle où il se trouve. Dans ce cas, élever progressivement la température ou laisser l'appareil au repos pendant une heure environ dans son nouvel environnement.

FICHE TECHNIQUE

Moteur et platine-disques

Moteur	Servo-moteur CC
Système d'entraînement	Par courroie
Vitesses de rotation	33-1/3 et 45 tr/mn.
Pleurage et scintillement ..	Moins de 0,045% (WRMS) ±0,065% Crête pondérée (DIN)
Rapport signal/bruit	Plus de 70 dB (DIN-B) (avec cellule Pioneer modèle PC-5MC)
Plateau	Alliage d'aluminium moulé 180 mm de diamètre

Bras de lecture

Type	Tube rectiligne intégré
------------	-------------------------

Fiche technique de la PC-5MC

Type	A bobine mobile (MC)
Pointe	Diamant de 0,5 mm (PN-5MC)
Tension de sortie	2,2 mV (1 kHz, 5 cm/s LAT Crête)
Force d'appui	De 1,7 à 2,3 g (valeur recommandée: 2 g)
Réponse de fréquence	De 10 à 32 000 Hz
Charge recommandée	50 kΩ
Poids	3,3 g

Fonctions auxiliaires

Fonctions à automatisation intégrale, basées sur un moteur de conception spéciale pour le bras de lecture. Sélecteur automatique de diamètre de disque (17 cm, 30 cm).
Mécanisme de lève-bras.
Dispositif anti-skating incorporé.
Détection de présence de disque.

Données générales

Alimentation électrique	CA, Sélecteur 220 V/240 V (réglable); 50, 60 Hz
Consommation électrique	9 W
Dimensions	320(L) x 98(H) x 210(D) mm
Poids	5 kg

Accessoires

Centreur pour disques 45 tr/mn	1
Mode d'emploi	1

NOTE:

Spécifications et conception sujettes à modifications sans préavis, par suite d'améliorations.

RECHERCHE DES CAUSES DE PANNES

Des erreurs d'utilisation sont souvent confondues avec des défaillances ou des pannes. En présence d'une difficulté apparente, prière de passer en revue les points suivants. Noter qu'il arrive qu'un autre composant soit à incriminer. Dès lors, examiner aussi tout autre appareil électrique simultanément utilisé.

Si l'on ne parvient pas à remédier à la difficulté, même après examen des suggestions énoncées ci-dessous, s'adresser à un centre de service PIONEER agréé et lui confier tout travail de réparation éventuel.

Symptôme	Cause possible	Remède	N° de page
Pas d'alimentation.	• La fiche du cordon d'alimentation est débranchée de la prise secteur.	• Brancher la fiche du cordon sur l'amplificateur ou une prise secteur.	29
	• L'interrupteur d'alimentation de l'amplificateur se trouve sur OFF, tandis que la platine tourne-disque est branchée dans une prise SWITCHED couplée à l'interrupteur d'alimentation de l'ampli.	• Mettre sur ON l'interrupteur d'alimentation de l'amplificateur stéréo.	—
Absence de son.	• Mauvaise connexion du cordon de sortie.	• Raccorder convenablement sur l'amplificateur stéréo.	29
	• Souillures sur les fiches du cordon de sortie ou sur les prises d'entrée de l'amplificateur stéréo.	• Enlever soigneusement toute saleté.	—
	• Montage inapproprié de la cellule ou de la pointe.	• Fixer convenablement la pointe et la cellule.	33
	• Utilisation inappropriée de l'amplificateur stéréo.	• Vérifier le réglage des diverses commandes de l'amplificateur stéréo.	—
Bruit ou grattements. (On entend un craquement)	• Poussières ou souillure sur la surface du disque.	• Nettoyer le disque avec un produit approprié.	34
	• Disque gondolé ou griffé.	• Remplacer le disque.	—
Son intermittent.	• Souillures sur les fiches du cordon de sortie ou sur les prises d'entrée de l'amplificateur stéréo.	• Enlever toute saleté.	—
Son distordu.	• Poussière ou saleté sur la pointe de la cellule.	• Nettoyer la pointe avec un pinceau.	33
	• Pointe de lecture usée.	• Remplacer la pointe.	33
	• Poussières ou souillure sur la surface du disque.	• Nettoyer le disque avec un produit de nettoyage.	34
	• Disque gondolé ou griffé.	• Remplacer le disque.	—
Hurllement (Son criard et prolongé, perceptible par les enceintes lorsque le volume est augmenté pendant la lecture).	• Les vibrations provenant des enceintes sont transmises par le plancher au disque ou à la cellule.	• Ecarter la platine-disque et les enceintes.	—
	• La pression sonore des enceintes est transmise directement à la cellule.	• Disposer la platine-disque sur une base solide.	—
Ronflement (audible par les enceintes).	• Connexion inappropriée du cordon de sortie ou du câble de mise à la terre sur l'amplificateur stéréo.	• Essayer de changer l'installation de la platine-disque.	—
	• Montage inapproprié de la pointe et de la cellule.	• Brancher correctement le cordon de sortie ou le câble de mise à la terre à l'amplificateur stéréo.	29
	• Effets de fuite de flux magnétique provenant du transformateur de puissance de l'amplificateur stéréo, etc.	• Fixer convenablement la pointe et la cellule.	33
		• Essayer de changer la position respective de la platine-disque et de l'amplificateur stéréo.	—

RECHERCHE DES CAUSES DE PANNES

Symptôme	Cause possible	Remède	N° de page
Tempo sonore irrégulier.	<ul style="list-style-type: none"> La position du sélecteur de vitesse (SPEED) ne convient pas à la vitesse de rotation du disque choisi. 	<ul style="list-style-type: none"> Placer le sélecteur sur la position requise par la vitesse de rotation du disque choisi (33 ou 45) 	27
La pointe ne descend pas à la position correcte pendant la lecture d'un disque.	<ul style="list-style-type: none"> La position de descente de la pointe dévie. 	<ul style="list-style-type: none"> Ajuster convenablement la position de descente. 	32
	<ul style="list-style-type: none"> Un disque spécial est utilisé. 	<ul style="list-style-type: none"> Remplacer le disque. Utiliser la lecture manuelle. 	— 30

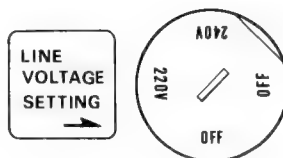
INDICE

Funzionamento automatico ad un tocco, comando a distanza	38	Lettura dei dischi	42
Dispositivi del pannello frontale	39	Manutenzione	45
Operazioni prima dell'uso	40	Dati tecnici	46
		Correzione dei difetti di funzionamento ...	47

SELETTORE DI TENSIONE

Il selettore cambiatensioni è situato sul pannello inferiore del giradischi. Prima della spedizione dell'apparecchio dalla fabbrica esso è stato regolato secondo la tensione del Paese di destinazione, ma è sempre meglio accertarsi che sia posizionato correttamente prima di accendere l'apparecchio. Nel caso non lo fosse o di trasferimento ad una zona a tensione diversa, regolare il selettore nel modo seguente:

- Inserire la punta di un cacciavite nella scanalatura del selettore e girarlo in modo che l'indicazione della tensione corretta si trovi di fronte alla freccia.



"Pioneer dichiara che questo apparecchio è conforme alle prescrizioni della direttiva CEE 82/449E, 76/889-D.M. 9746/9 ottobre 1980."

FUNZIONAMENTO AUTOMATICO AD UN TOCCO, COMANDO A DISTANZA

Usando l'apparecchio in abbinamento ai seguenti componenti Pioneer è possibile avvalersi del "Funzionamento automatico ad un tocco", che riduce le possibilità d'errore e la complessità delle operazioni, e del "Funzionamento col comando a distanza", che permette di manovrare l'apparecchio da distanza.

- Amplificatore A-X900*, A-X700
- Sintonizzatore F-X700L
- Registratore a cassette CT-X700W*, CT-X500
- Giradischi PL-X500*, PL-X300
- Riproduttore CD P-DX700

NOTA:

Se si usa l'amplificatore A-X500 e il sintonizzatore F-X500L o F-X300*, il funzionamento automatico ad un tocco ed il funzionamento col comando a distanza non sono possibili.

**Non disponibile in alcuni Paesi.*

FUNZIONI COL MODO DI FUNZIONAMENTO AUTOMATICO AD UN TOCCO

SELEZIONE AUTOMATICA D'INGRESSO

Questa funzione significa che non è più necessaria la selezione manuale dell'ingresso con i selettori d'ingresso dell'amplificatore. Effettuando semplicemente una delle manovre seguenti, la selezione dell'ingresso avviene automaticamente e gli altri componenti s'arrestano:

- Premere i tasti [STATION CALL] del sintonizzatore per ascoltare le trasmissioni in FM/AM. ➡ [TUNER]
- Premere il tasto d'avanti veloce o di riavvolgimento del registratore a cassette per ascoltare un nastro. ➡ [TAPE 1]
- Premere il tasto di partenza/arresto del giradischi per ascoltare un disco. ➡ [PHONO]
- Premere il tasto di riproduzione del riproduttore CD per ascoltare un Compact Disc. ➡ [CD]

NOTA:

La funzione di selezione automatica dell'ingresso non si attiva durante il modo di riversamento per la copia dei nastri con la doppia piastra di registrazione a cassette (CT-X700W).

Registrazione sincronizzata

Quando si premono i tasti di registrazione e di pausa (modo d'attesa di registrazione), le operazioni di registrazione (partenza ed arresto di registrazione) sono automaticamente asservite al funzionamento del giradischi o del riproduttore CD.

Operazioni fondamentali nel modo di registrazione sincronizzata

Giradischi	Riproduttore CD	Registratore a cassette
Premere l'interruttore di sollevamento del braccio o appoggiare la puntina sul disco.	Premere il tasto di riproduzione (cominciare la lettura del disco).	La registrazione comincia
Premere il tasto di sollevamento del braccio o sollevare la puntina dal disco.	Premere il tasto d'arresto o di pausa (interruzione della lettura).	La registrazione si interrompe

OPERAZIONI DI COMANDO A DISTANZA

Accensione/spegnimento (POWER STANDBY/ON)

Le operazioni d'accensione/spegnimento sono asservite alla manovra dell'interruttore d'alimentazione del sintonizzatore, che accende e spegne anche gli altri componenti.

Controllo di volume (VOLUME)

Permette di controllare il volume del suono dell'amplificatore.

Funzioni del sintonizzatore (TUNER)

Permette di selezionare le stazioni trasmettenti (per un totale di 12 stazioni FM/AM).

Funzioni del riproduttore CD (COMPACT DISC).

Effettua le operazioni di riproduzione, arresto, pausa, ricerca del brano (permette di trovare i brani desiderati).

Funzioni del registratore a cassette (CASSETTE TAPE DECK)

Effettua le operazioni di riproduzione, riproduzione in reverse, riavvolgimento, avanti veloce, arresto, pausa, registrazione e registrazione muta (per creare intervalli non registrati).

Funzioni del giradischi (PLAYER)

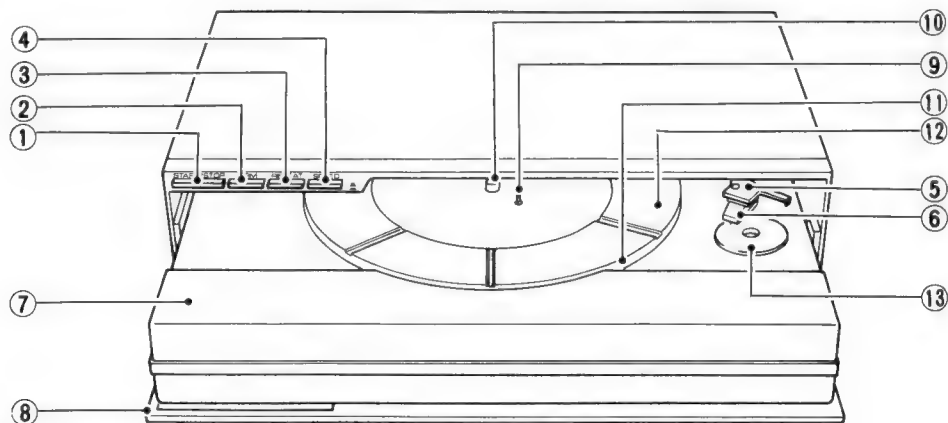
Effettua la partenza e arresto della lettura.

Interruttore d'attivazione/esclusione del selettore d'ingresso video/componente ausiliario dell'amplificatore (VIDEO/AUX)

La sezione di funzionamento del comando a distanza è incorporata nel sintonizzatore.

Oltre che col comando a distanza, il funzionamento ad un tocco (selezione automatica d'ingresso, registrazione sincronizzata) può anche essere effettuato con i comandi dell'apparecchio stesso.

DISPOSITIVI DEL PANNELLO FRONTALE



① Interruttore di partenza/arresto (START/STOP)

Premerlo per cominciare o interrompere la lettura del disco.

② Interruttore di sollevamento del braccio (ARM ELEVATION)

- Usare questo interruttore per cominciare la lettura manuale dei dischi.
- Usare questo interruttore per sospendere temporaneamente la lettura del disco.
- Usarlo anche per cambiare solco durante la lettura del disco.

Interruttore inserito:

Il braccio si alza (la puntina si stacca dal disco).

Interruttore rilasciato:

Il braccio scende (la puntina si posa sul disco).

③ Tasto di ripetizione della lettura (REPEAT)

Per la ripetizione della lettura del disco.

④ Selettore di velocità (SPEED)

Regolare questo interruttore secondo la velocità del disco usato.

(45) (inserito): Per i dischi a 45 giri.

(35) (rilasciato): Per i dischi a 35 giri.

⑤ Conchiglia portatestina, Braccio

⑥ Testina (PC-5MC)

La testina in dotazione a questo giradischi è del tipo MC (bobina mobile), ma ha un'alta tensione d'uscita simile a quella delle testine MM (magnete mobile). Per questo motivo, il cavo d'uscita deve essere collegato al terminale d'ingresso MM dell'amplificatore. Se si collega il cavo al terminale MC, il suono potrebbe risultare distorto e l'apparecchio non fornire le sue prestazioni migliori.

⑦ Base retrattile

⑧ Sportello

⑨ Puntina di rilevamento del disco

⑩ Perno centrale

⑪ Piatto

⑫ Tappetino di gomma

NOTA:

Usare soltanto il tappetino di gomma in dotazione all'apparecchio. Se si usa un altro tipo di tappetino l'altezza della puntina cambia e si potrebbe verificare un difetto di funzionamento.

⑬ Adattatore per dischi EP/contenitore dell'adattatore

Infilare l'adattatore sul perno del piatto usando dischi senza "centro".

Lasciare l'adattatore nel contenitore quando non serve.

NOTA:

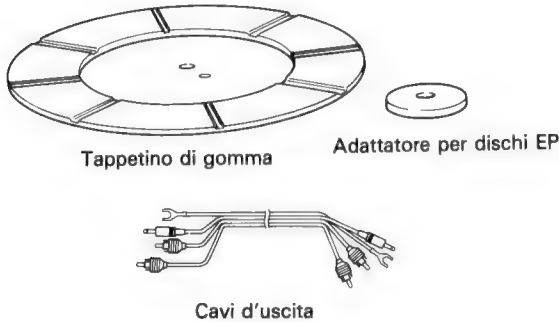
Usare soltanto l'adattatore per dischi EP in dotazione a questo apparecchio. L'impiego di qualsiasi altro adattatore potrebbe causare il contatto con la puntina danneggiandola.

OPERAZIONI PRIMA DELL'USO

(Prima di usare l'apparecchio effettuare le operazioni dei punti 1 e 2.)

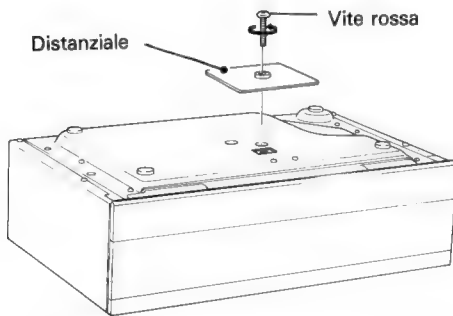
1 MONTAGGIO DEL GIRADISCHI

(1) Controllare gli accessori.



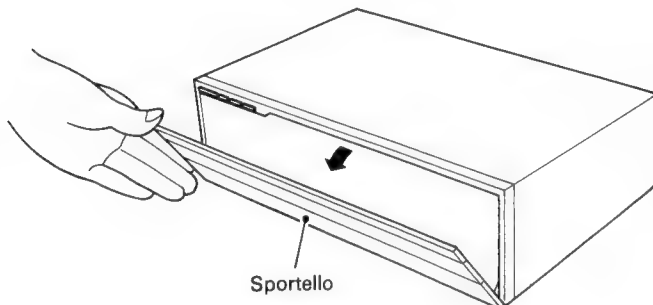
(2) Togliere la vite di trasporto e il distanziale.

- 1 Capovolgere il giradischi e girare la vite rossa nella direzione della freccia mediante il cacciavite a croce accessorio per toglierla.
- 2 Togliere il distanziale sollevandolo.

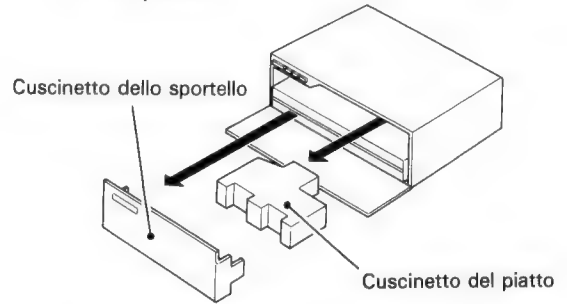


(3) Togliere i cuscinetti di trasporto.

- 1 Aprire lo sportello.

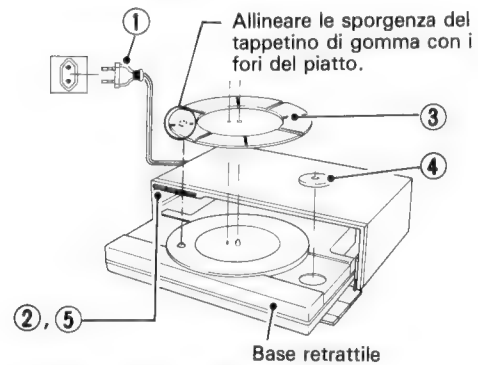


- 2 Togliere dall'interno il cuscinetto del piatto e quello dello sportello.

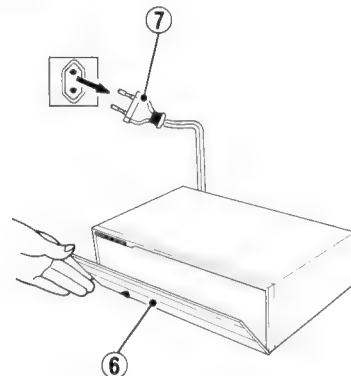


(4) Sistemare sul piatto il tappetino di gomma e l'adattatore per dischi EP.

- 1 Collegare il cavo d'alimentazione alla presa di corrente.
- 2 Premere l'interruttore di partenza/arresto (la base retrattile fuoriesce).
- 3 Sistemare il tappetino di gomma sul piatto.
- 4 Mettere l'adattatore per dischi EP nel suo contenitore.
- 5 Premere l'interruttore di partenza/arresto (la base retrattile rientra).

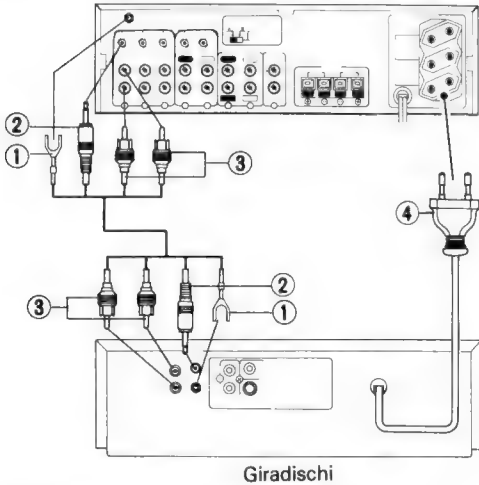


- 6 Chiudere lo sportello.
- 7 Scollegare il cavo d'alimentazione dalla presa di corrente.



2 COLLEGAMENTO DEL GIRADISCHI ALL'AMPLIFICATORE

Amplificatore stereo



Giradischi

(1) Collegamento del filo di massa

Fissare il capocorda al terminale di massa (GND) del giradischi e dell'amplificatore

(2) Collegamento del cavo di selezione automatica dell'ingresso

Usando un amplificatore stereo Pioneer dotato del sistema di selezione automatica dell'ingresso (A-X900, A-X700), collegare questo cavo al terminale di selezione automatica dell'ingresso dell'amplificatore.

NOTA:

Non collegare questo cavo se si usa un amplificatore che non è dotato della funzione di selezione automatica dell'ingresso.

(3) Collegamento dei cavi d'uscita

(Collegati ai terminali contrassegnati (1))

Inserire i connettori nei terminali PHONO L e R dell'apparecchio e in quelli d'ingresso del giradischi (PHONO INPUT) dell'amplificatore.

- Collegare il connettore bianco al canale sinistro (L) e quello rosso al canale destro (R).
- Inserire a fondo i connettori nei terminali.

(4) Collegamento del cavo d'alimentazione

Collegare la spina del cavo d'alimentazione alla presa ausiliaria di corrente alternata UNSWITCHED dell'amplificatore o sintonizzatore, o ad una presa di rete.

DOPO AVER EFFETTUATO LE OPERAZIONI DEI PUNTI DA 1 A 2 CONTROLLARE I PUNTI SEGUENTI.

■ Se i collegamenti e l'installazione non sono corretti si potrebbero verificare dei difetti di funzionamento.

- Se i collegamenti sono sbagliati non si sente alcun suono. Se i connettori dei cavi d'uscita non sono inseriti a fondo o se il filo di massa non è collegato, dai diffusori acustici si sente un ronzio.
- Se il giradischi è installato inclinato, il braccio scivola sul disco e il suono risulta distorto. Se si trasmettono vibrazioni al giradischi, il suono potrebbe diventare discontinuo o tremare e, in alcuni casi, si potrebbe sentire un suono lamentoso prolungato dai diffusori acustici (howl).

■ Collegare ai terminali PHONO MM dell'amplificatore.

La testina in dotazione a questo giradischi è del tipo MC (bobina mobile), ma ha un'alta tensione d'uscita simile a quella delle testine MM (magnete mobile). Per questo motivo, il cavo d'uscita deve essere collegato al terminale d'ingresso MM dell'amplificatore. Se si collega il cavo al terminale MC, il suono potrebbe risultare distorto e l'apparecchio non fornire le sue prestazioni migliori.

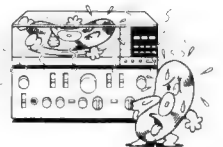
■ I cavi di collegamento devono essere un po' allentati.

Dopo il collegamento controllare che nessuno dei cavi sia teso. Se i cavi sono tesi, essi potrebbero staccarsi o causare "howl".

■ L'impedenza di carico della testina in dotazione all'apparecchio è di 50 k ohm.

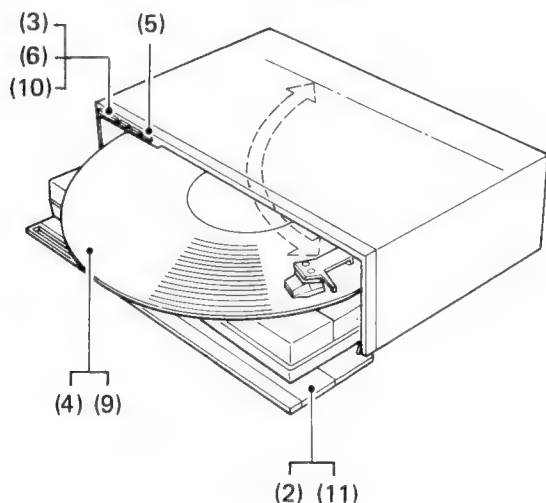
Se l'amplificatore stereo usato è dotato del selettore dell'impedenza di carico della testina, posizionarlo sul valore nominale della testina.

Non sistemare il giradischi sopra l'amplificatore o altro componente la cui temperatura potrebbe alzarsi molto perché il calore potrebbe deformare il disco. Per comodità di manovra e ridurre al minimo l'effetto delle vibrazioni il giradischi deve essere installato in basso.



LETTURA DEI DISCHI

PROCEDIMENTO PER LA LETTURA DEI DISCHI (LETTURA AUTOMATICA)



(1) Preparare l'amplificatore per la lettura dei dischi.

Per i dettagli riferirsi alle istruzioni per l'uso dell'amplificatore stereo.

(2) Aprire lo sportello.

(3) Premere l'interruttore di partenza/arresto.

La base retrattile fuoriesce.

(4) Mettere un disco sul piatto.

(5) Regolare la velocità mediante il selettore di velocità.

(6) Premere l'interruttore di partenza/arresto per cominciare la lettura del disco.

NOTA:

Se si usano dischi LP che non siano di 30 cm il braccio si sposta sulla posizione dei dischi di 17 cm.

(7) Regolare il volume e il tono mediante i controlli dell'amplificatore.

(8) Fine della lettura.

Dopo l'ultimo brano del disco la base retrattile fuoriesce automaticamente.

(9) Togliere il disco dal piatto.

Ripetere il procedimento dal punto (4) se si desidera ascoltare un altro disco.

NOTA:

Non si deve spegnere l'apparecchio a questo punto. Per terminare la lettura dei dischi, effettuare prima le operazioni dei punti (10) e (11) e poi spegnere l'amplificatore e il sintonizzatore.

(10) Premere l'interruttore di partenza/arresto.

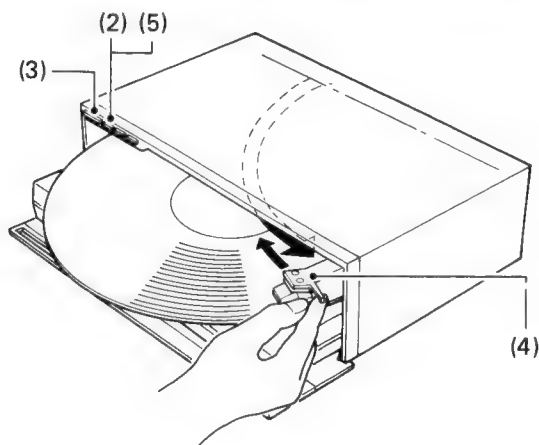
La base retrattile rientra nel mobile.

(11) Chiudere lo sportello.

LETTURA MANUALE

Usare la lettura manuale nei casi seguenti:

- Per cominciare la lettura da qualsiasi solco fuorché quello d'inizio del disco.
- Se il diametro del disco non è standard, ciò che rende impossibile la lettura automatica.



(1) Effettuare le operazioni dei punti da (1) a (5) del paragrafo "PROCEDIMENTO PER LA LETTURA DEI DISCHI".

(2) Premere l'interruttore di sollevamento del braccio.

(3) Premere l'interruttore di partenza/arresto.

Il piatto comincia a girare e il braccio fuoriesce.

(4) Spostare il braccio.

NOTA:

- Per la natura del suo meccanismo il braccio non può essere spostato all'esterno dalla sua posizione d'arresto quando si effettua l'operazione del punto (3).
- Per spostare il braccio all'esterno per la lettura dei dischi di 25 cm, ecc., fare prima l'operazione seguente e poi procedere con l'istruzione del punto (4).

- ① Rilasciare l'interruttore di sollevamento del braccio. La puntina si posa sul disco.
- ② Quando comincia la lettura, inserire l'interruttore di sollevamento del braccio.
- ③ Spostare il braccio per portare la puntina sopra il solco d'inizio del brano che si desidera ascoltare.

(5) Premere l'interruttore di sollevamento del braccio per cominciare la lettura del disco.

(6) Regolare il volume e il tono con i controlli dell'amplificatore.

(7) Fine della lettura.

Dopo la lettura dell'ultimo brano il piatto smette automaticamente di girare e il braccio ritorna in posizione di riposo. Per ascoltare un altro disco procedere come dal punto (2).

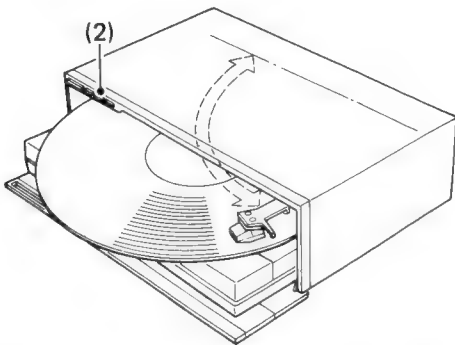
(8) Effettuare le operazioni dei punti da (9) a (11) del paragrafo "PROCEDIMENTO PER LA LETTURA DEI DISCHI".

■ **Per cambiare brano durante la lettura**

- ① Premere l'interruttore di sollevamento del braccio. (La puntina si stacca dal disco interrompendone la lettura.)
- ② Spostare il braccio per portare la puntina sopra il solco d'inizio del brano che si desidera ascoltare.
- ③ Premere l'interruttore di sollevamento del braccio. (La puntina si posa sul disco cominciandone la lettura.)

RIPETIZIONE DELLA LETTURA

La lettura di un lato del disco si ripete automaticamente.



(1) Effettuare le operazioni dei punti da (1) a (7) del paragrafo "PROCEDIMENTO PER LA LETTURA DEI DISCHI" e cominciare la lettura automatica.

(2) Premere l'interruttore di ripetizione.

Inserire l'interruttore.

(3) Fine e ripetizione della lettura.

Dopo la fine dell'ultimo brano il braccio ritorna automaticamente sul primo e la lettura si ripete. La lettura si ripete finché non si rilascia il modo di ripetizione della lettura.

■ **Come rilasciare il modo di ripetizione della lettura.**

Il modo di ripetizione della lettura si rilascia premendo di nuovo l'interruttore di ripetizione (rilasciandolo). Ciò ripristina il modo normale di lettura automatica.

NOTA:

Alla fine della lettura effettuare le operazioni dei punti da (9) a (11) del paragrafo "PROCEDIMENTO PER LA LETTURA DEI DISCHI".

OPERAZIONI DI INTERRUZIONE DELLA LETTURA

■ **Per interrompere la lettura a metà disco**

(1) Premere l'interruttore di partenza/arresto.

La lettura si interrompe automaticamente nella sequenza seguente:

- ① Il piatto smette di girare e il braccio rientra.
- ② La base retrattile si sposta in fuori.

(2) Effettuare le operazioni dei punti da (9) a (10) del paragrafo "PROCEDIMENTO PER LA LETTURA DEI DISCHI".

■ **Per interrompere temporaneamente la lettura**

(1) Premere l'interruttore di sollevamento del braccio.

La puntina si stacca dal disco interrompendone la lettura (il piatto continua a girare).

(2) Premere di nuovo l'interruttore di sollevamento del braccio.

La puntina si posa sul disco continuandone la lettura.

PRECAUZIONI PER LA LETTURA DEI DISCHI

- **Non usare un tappetino del piatto diverso da quello in dotazione all'apparecchio.**

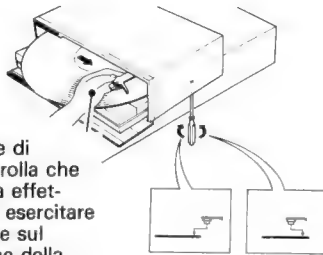
Se si usa un tappetino diverso o uno stabilizzatore dei dischi si potrebbe danneggiare la puntina..

- **Non infilare la mano sotto la base retrattile.**

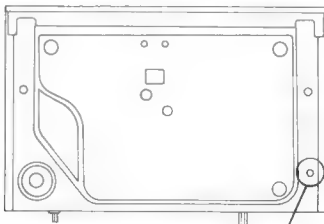
La mano potrebbe infatti rimanervi incastrata quando la base rientra nell'apparecchio.

REGOLAZIONE DEL PUNTO DI DISCESA DELLA PUNTINA

Se la puntina non scende sul punto corretto del disco durante la lettura automatica, procedere nel modo seguente. Effettuando la regolazione fare attenzione a non graffiare il disco con la puntina.



Quando si gira la vite di regolazione e si controlla che la regolazione è stata effettuata correttamente, esercitare una leggera pressione sul braccio nella direzione della freccia con la mano sinistra.



Vite di regolazione
(sul pannello inferiore)

- (1) Effettuare le operazioni dei punti da (1) a (5) del paragrafo "PROCEDIMENTO PER LA LETTURA DEI DISCHI".**

(Mettere un disco di 30 cm sul piatto.)

- (2) Premere l'interruttore di partenza/arresto per cominciare la lettura.**

Controllare di quanto la puntina si discosta e in che direzione (di quanti millimetri all'interno o all'esterno del solco d'inizio del disco).

- (3) Inserire l'interruttore di sollevamento del braccio per sollevare la puntina.**
- (4) Girare delicatamente la vite di regolazione con un piccolo cacciavite piatto secondo l'entità e la direzione della deviazione dal punto di discesa corretto, e regolare nel modo seguente:**

- Ogni mezzo giro della vite corregge il punto di discesa della puntina di 9 mm circa.
- Rotare la vite in senso orario se la puntina si posa all'esterno del punto corretto del disco.
- Rotare la vite in senso antiorario se la puntina si posa all'interno del punto corretto del disco.

- (5) Controllare la regolazione.**

Dopo la regolazione spingere leggermente la conchiglia portatestina verso l'esterno (direzione della freccia) e controllare che la puntina scenda sul solco d'inizio del disco. (Durante la lettura il braccio si sposta su questa posizione.)

MANUTENZIONE

SOSTITUZIONE DELLA PUNTINA

- La durata della puntina della testina in dotazione al giradischi è di 800 ~1.000 ore circa.
(Se si usa il giradischi ogni giorno per 1 ora o 2 essa durerà 1 o 2 anni.)

Se la puntina è consumata o rovinata si rovinano i dischi e il suono viene distorto. Sostituire sempre la puntina al primo segno di consumo.

- Come puntina di ricambio usare soltanto quella Pioneer "PN-5MC".

La testina usata in questo giradischi è stata sviluppata da Pioneer, per cui si deve usare soltanto la puntina di ricambio prescritta che può essere acquistata presso il rivenditore di fiducia.

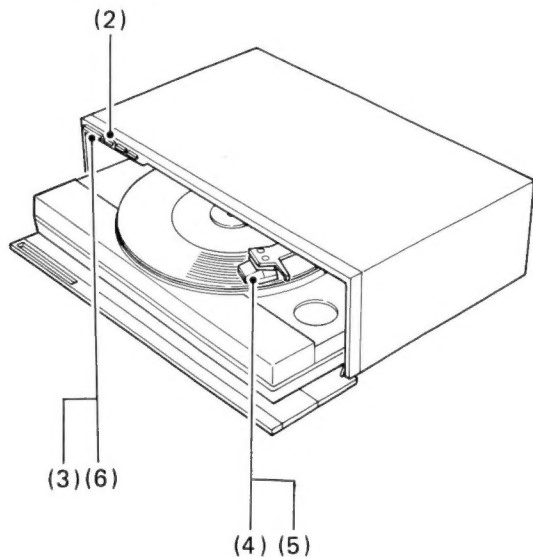
- Usare soltanto puntine di ricambio Pioneer genuine.

Pioneer non può rispondere dello scadimento delle prestazioni o di un eventuale guasto nel caso si usi una puntina di marca diversa.

I ricambi Pioneer genuini portano il marchio Pioneer. Accertarsi sempre che ci sia prima di effettuare l'acquisto.

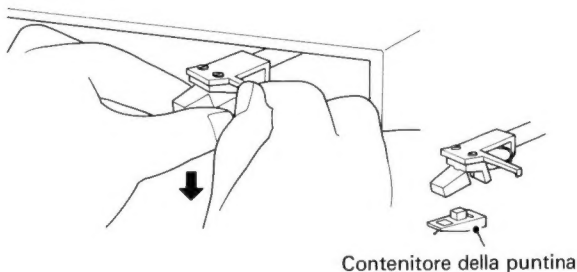
PROCEDIMENTO PER LA SOSTITUZIONE DELLA PUNTINA

Per fare questa operazione abbassare completamente il volume dell'amplificatore.

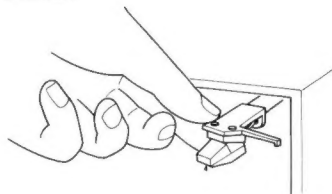


- (2) Inserire l'interruttore di sollevamento del braccio.
- (3) Premere l'interruttore di partenza/arresto per far uscire il braccio.
- (4) Togliere la puntina dalla testina.

Prendere il contenitore della puntina e tirare delicatamente in giù.



- (5) Montare la nuova puntina sulla testina.



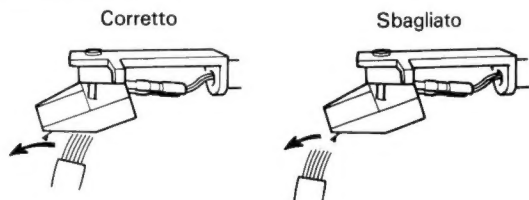
- (6) Premere l'interruttore di partenza/arresto per far rientrare il braccio.

MANUTENZIONE DELLA PUNTINA

- Usare uno spazzolino morbido.

Per togliere la polvere e lo sporco muovere lo spazzolino verso di sé. Non usare il dito perché si potrebbe danneggiare la puntina.

Alla base dell'attacco della puntina della testina in dotazione all'apparecchio è avvolto un filo di rame estremamente sottile. Poiché l'uso di uno spazzolino per la pulizia della puntina potrebbe causare la rottura del filo, fare molta attenzione a non toccare la base della puntina.



- Se non si può togliere lo sporco con lo spazzolino

Togliere lo sporco con un pulitore per puntine in vendita nei negozi audio. Stare attenti che il liquido non tocchi le parti di plastica perché potrebbe deformarle.

- (1) Effettuare le operazioni dei punti da (1) a (4) del paragrafo "PROCEDIMENTO PER LA LETTURA DEI DISCHI".

ITALIANO

MANUTENZIONE DEI DISCHI

- Usare un pulitore per dischi di buona qualità.

Se si puliscono i dischi con un pulitore secco (spazzola di velluto o nylon) si potrebbe generare dell'elettricità statica che causa rumore. Per togliere la polvere sono più efficaci i pulitori umidi e i liquidi antistatici.

CONDENSA

Se si porta il giradischi da una stanza fredda ad una riscaldata o se la temperatura della stanza dove si trova dovesse aumentare improvvisamente, all'interno del giradischi si potrebbe formare della condensa e l'apparecchio non funzionerebbe dovutamente. In tal caso non usare il giradischi per circa un'ora o fare in modo che la temperatura aumenti gradualmente.

DATI TECNICI**Motore e giradischi**

Motore	In c.c. Servocontrollato
Sistema di trasmissione	Trazione a cinghia
Velocità	33-1/3 e 45 giri/min.
Wow e flutter	Inferiore allo 0,045% (WRMS) ±0,065% picco WTD (DIN)
Rapporto segnale/rumore	Superiore a 70 dB (DIN-B) (con testina Pioneer modello PC-5MC)
Piatto	180 mm di diametro, in pressofusione di lega d'alluminio

Braccio

Tipo	Dritto integrato
------------	------------------

Dati tecnici della testina PC-5MC

Tipo	Bobina mobile
Puntina	Diamante di 0,5 mil (PN-5MC)
Tensione d'uscita	2,2 mV (1 kHz, 5 cm/picco LAT.)
Pressione di lettura	1,7 g—2,3 g (2 g ottimale)
Risposta in frequenza	10—32.000 Hz
Carico raccomandato	50 kΩ
Peso	3,3 g

Funzioni accessorie

Funzioni completamente automatiche basate sul motore progettato appositamente per il braccio
Selettore automatico del diametro del disco (17 cm, 30 cm)
Meccanismo di sollevamento del braccio
Antiskating incorporato
Rivelazione della presenza del disco

Altri

Alimentazione	C.a. 220/240 V, (commutabili), 50/60 Hz
Assorbimento di corrente	9 W
Dimensioni	320(L) x 98(A) x 210(P) mm
Peso	5 kg

Accessori

Riduttore EP	1
Istruzioni per l'uso	1

NOTA:

Dati tecnici e formato soggetti a modifiche senza avviso.

CORREZIONE DEI DIFETTI DI FUNZIONAMENTO

Spesso si confonde un errore di manovra per un difetto o guasto dell'apparecchio. Se si pensa che qualcosa non funzioni, controllare i punti elencati sotto. A volte il difetto è causato da un altro componente. Controllare l'amplificatore stereo, il sistema dei diffusori acustici e le altre apparecchiature elettriche usate.

Se non si riesce a correggere il difetto dopo il controllo, rivolgersi al rivenditore di fiducia o ad un concessionario Pioneer autorizzato.

Sintomo	Causa probabile	Rimedio	Pag.
Non c'è corrente.	• Il cavo d'alimentazione è scollegato.	• Collegarlo alla presa ausiliaria di corrente dell'amplificatore o ad una presa di rete.	41
	• L'interruttore d'alimentazione dell'amplificatore è disinserito e il cavo d'alimentazione del giradischi è collegato alla sua presa ausiliaria di corrente.	• Inserire l'interruttore d'alimentazione dell'amplificatore.	—
Nessun suono.	• Collegamento sbagliato dei cavi d'uscita.	• Collegarli correttamente all'amplificatore stereo.	41
	• Connettori PIN sporchi dei cavi di collegamento o terminali d'ingresso sporchi dell'amplificatore.	• Togliere via lo sporco.	—
	• Montaggio sbagliato della testina o della puntina.	• Fissare correttamente la testina o la puntina.	45
	• Manovra sbagliata dell'amplificatore.	• Controllare la posizione dei controlli dell'amplificatore.	—
Rumore o rumore di graffi (si sentono scariche)	• Disco impolverato o sporco.	• Pulire il disco con un pulitore.	46
	• Disco ondulato o graffiato.	• Sostituirlo.	—
Suono intermittente.	• Connettori PIN dei cavi d'uscita o terminali d'ingresso dell'amplificatore sporchi.	• Togliere via lo sporco.	—
Suono distorto.	• Polvere o sporco sulla puntina.	• Pulire la puntina con uno spazzolino.	45
	• Puntina consumata.	• Sostituirla.	45
	• Disco impolverato o sporco.	• Pulire il disco con un pulitore.	46
	• Disco ondulato o graffiato.	• Sostituirlo.	—
Howl (suono lamentoso prolungato che si sente dai diffusori quando si alza il volume durante la lettura del disco).	• Le vibrazioni dal sistema dei diffusori vengono trasmesse dal pavimento al disco o alla testina.	• Allontanare il giradischi dai diffusori.	—
		• Sistemare il giradischi su una base solida.	—
	• La pressione sonora del sistema dei diffusori viene trasmessa direttamente alla puntina.	• Provare a cambiare la sistemazione del giradischi.	—
Ronzio (dai diffusori).	• Collegamento sbagliato dei cavi d'uscita o del filo di massa.	• Collegare correttamente i cavi d'uscita e il filo di massa all'amplificatore.	41
	• Montaggio sbagliato della testina o della puntina.	• Fissare correttamente la testina o la puntina.	45
	• Effetti di perdita di flusso magnetico avvertiti dal trasformatore dell'amplificatore, ecc.	• Provare a cambiare la sistemazione dell'amplificatore e del giradischi.	—
Tempo strano della musica.	• La posizione del selettore di velocità non corrisponde alla velocità nominale del disco.	• Mettere il selettore sulla posizione corrispondente alla velocità nominale del disco (33 o 45).	39
La puntina non scende sulla posizione corretta durante la lettura automatica.	• Il punto di discesa della puntina non è corretto.	• Regolare la posizione correttamente.	44
	• Si usa un disco speciale.	• Sostituirlo.	—
		• Effettuare la lettura del disco nel modo manuale.	42

PIONEER ELECTRONIC CORPORATION 4-1, Meguro 1-Chome, Meguro-ku, Tokyo 153, Japan
PIONEER ELECTRONICS (USA) INC. P.O. Box 1760, Long Beach, California 90801 U.S.A.,
TEL: (800) 421-1404, (800) 237-0424
PIONEER ELECTRONIC (EUROPE) N.V. Keetberglaan 1, 2740 Beveren, Belgium TEL: 03/775-28-08
PIONEER ELECTRONICS AUSTRALIA PTY. LTD. 178-184 Boundary Road, Braeside, Victoria 3195, Australia
TEL: (03) 580-9911