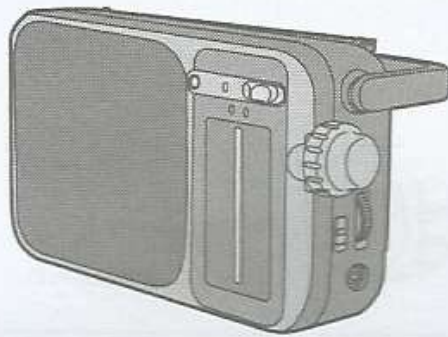


Panasonic®

FM-AM 2-BAND RECEIVER

RF-2400D

Owner's Manual



Thank you for purchasing this product.

For optimum performance and safety, please read these instructions carefully.

Please keep this manual for future reference.

If you have any questions, visit

www.panasonic.ca/english/support

Panasonic Canada Inc.

5770 Ambler Drive,
Mississauga, Ontario,
L4W 2T3

www.panasonic.com

© Panasonic Entertainment & Communication Co., Ltd. 2017-2022
Printed in Indonesia



TQBM0073-1

L0117CH1082

The model number and serial number of this product can be found on either the back or the bottom of the unit. Please note them in the space provided below and keep for future reference.

MODEL NUMBER _____ RF-2400D _____

SERIAL NUMBER _____

User memo:

DATE OF PURCHASE _____

DEALER NAME _____

DEALER ADDRESS _____

TELEPHONE NUMBER _____



CAUTION

RISK OF ELECTRIC SHOCK
DO NOT OPEN



CAUTION: TO REDUCE THE RISK OF ELECTRIC SHOCK, DO NOT REMOVE SCREWS.
NO USER-SERVICEABLE PARTS INSIDE.
REFER SERVICING TO QUALIFIED SERVICE PERSONNEL.



The lightning flash with arrowhead symbol, within an equilateral triangle, is intended to alert the user to the presence of uninsulated "dangerous voltage" within the product's enclosure that may be of sufficient magnitude to constitute a risk of electric shock to persons.



The exclamation point within an equilateral triangle is intended to alert the user to the presence of important operating and maintenance (servicing) instructions in the literature accompanying the appliance.

Certified to CAN/CSA STD C22.2 No.60065.

Safety precautions

WARNING!

- To reduce the risk of fire, electric shock or product damage,
 - Do not expose this unit to rain, moisture, dripping or splashing.
 - Do not place objects filled with liquids, such as vases, on this unit.
 - Use only the recommended accessories.
 - Do not remove covers.
 - Do not repair this unit by yourself. Refer servicing to qualified service personnel.
- The power plug is the disconnecting device. Install this unit so that the power plug can be unplugged from the socket outlet immediately.

CAUTION!

- Remove the batteries if the unit is not to be used for a long time.
- Insert so the poles (+ and –) match those in the unit.
- Do not mix old and new batteries.
- Do not use different types of batteries at the same time.
- Do not break open or short-circuit the battery.
- Do not charge the alkaline or manganese battery.
- Do not use the battery if the cover has peeled off.
- Do not heat or expose to flame.
- Do not leave the battery(ies) in a car exposed to direct sunlight for a long period of time with doors and windows closed.
- Danger of explosion if battery is incorrectly replaced. Replace only with the type recommended by the manufacturer.
- When disposing of the batteries, please contact your local authorities or dealer and ask for the correct method of disposal.

Small objects

- The knobs (e.g., [TUNING] knob) can come off when pulled hard. To prevent children from swallowing the knob, do not pull it off.

Supplied accessories

Check and identify the supplied accessories.

Use numbers indicated in parentheses when asking for replacement parts. (Product numbers correct as of Jan 2017. This may be subject to change.)

To order accessories, call the dealer from whom you have made your purchase.

1 AC power supply cord
(K2CB2CB00021)

Panasonic Canada Inc.

5770 Ambler Drive, Mississauga, Ontario L4W 2T3

PANASONIC PRODUCT – LIMITED WARRANTY

Panasonic Canada Inc. warrants this product to be free from defects in material and workmanship under normal use and for a period as stated below from the date of original purchase agrees to, at its option either (a) repair your product with new or refurbished parts, (b) replace it with a new or a refurbished equivalent value product, or (c) refund your purchase price. The decision to repair, replace or refund will be made by Panasonic Canada Inc.

Panasonic BD/DVD Product	One (1) year, parts and labour
Panasonic Audio Receivers	One (1) year, parts and labour
Home Theater Systems Product	One (1) year, parts and labour

This warranty is given only to the original purchaser, or the person for whom it was purchased as a gift, of a Panasonic brand product mentioned above sold by an authorized Panasonic dealer in Canada and purchased and used in Canada, which product was not sold "as is", and which product was delivered to you in new condition in the original packaging.

IN ORDER TO BE ELIGIBLE TO RECEIVE WARRANTY SERVICE HEREUNDER, A PURCHASE RECEIPT OR OTHER PROOF OF DATE OF ORIGINAL PURCHASE, SHOWING AMOUNT PAID AND PLACE OF PURCHASE IS REQUIRED

LIMITATIONS AND EXCLUSIONS

This warranty **ONLY COVERS** failures due to defects in materials or workmanship, and **DOES NOT COVER** normal wear and tear or cosmetic damage. The warranty **ALSO DOES NOT COVER** damages which occurred in shipment, or failures which are caused by products not supplied by Panasonic Canada Inc., or failures which result from accidents, misuse, abuse, neglect, mishandling, misapplication, alteration, faulty installation, set-up adjustments, misadjustment of consumer controls, improper maintenance, power line surge, lightning damage, modification, introduction of sand, humidity or liquids, commercial use such as hotel, office, restaurant, or other business or rental use of the product, or service by anyone other than an Authorized Servicer, or damage that is attributable to acts of God.

Dry cell batteries are also excluded from coverage under this warranty.

THIS EXPRESS, LIMITED WARRANTY IS IN LIEU OF ALL OTHER WARRANTIES, EXPRESS OR IMPLIED, INCLUDING ANY IMPLIED WARRANTIES OF MERCHANTABILITY AND FITNESS FOR A PARTICULAR PURPOSE. IN NO EVENT WILL PANASONIC CANADA INC. BE LIABLE FOR ANY SPECIAL, INDIRECT OR CONSEQUENTIAL DAMAGES RESULTING FROM THE USE OF THIS PRODUCT OR ARISING OUT OF ANY BREACH OF ANY EXPRESS OR IMPLIED WARRANTY. (As examples, this warranty excludes damages for lost time, travel to and from the Authorized Servicer, loss of or damage to media or images, data or other memory or recorded content. This list of items is not exhaustive, but for illustration only.)

In certain instances, some jurisdictions do not allow the exclusion or limitation of incidental or consequential damages, or the exclusion of implied warranties, so the above limitations and exclusions may not be applicable. This warranty gives you specific legal rights and you may have other rights which vary depending on your province or territory.

WARRANTY SERVICE

For product operation, repairs and information assistance, please visit our Support page:

www.panasonic.ca/english/support

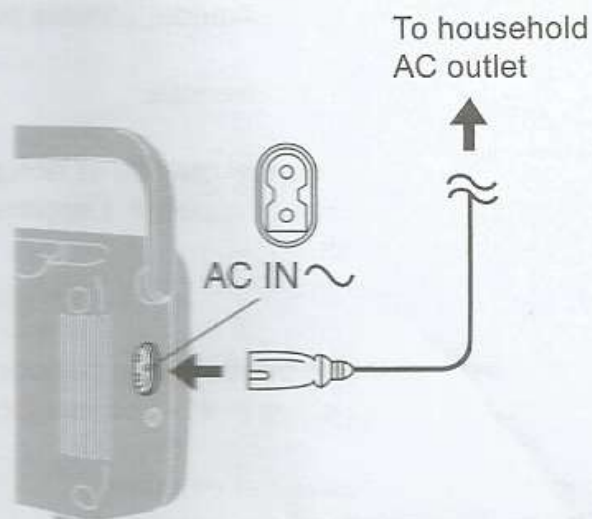
IF YOU SHIP THE PRODUCT TO A SERVICENTRE

Carefully pack and send prepaid, adequately insured and preferably in the original carton. Include details of the defect claimed, and proof of date of original purchase.

Power Supply

■ Connecting AC power supply cord

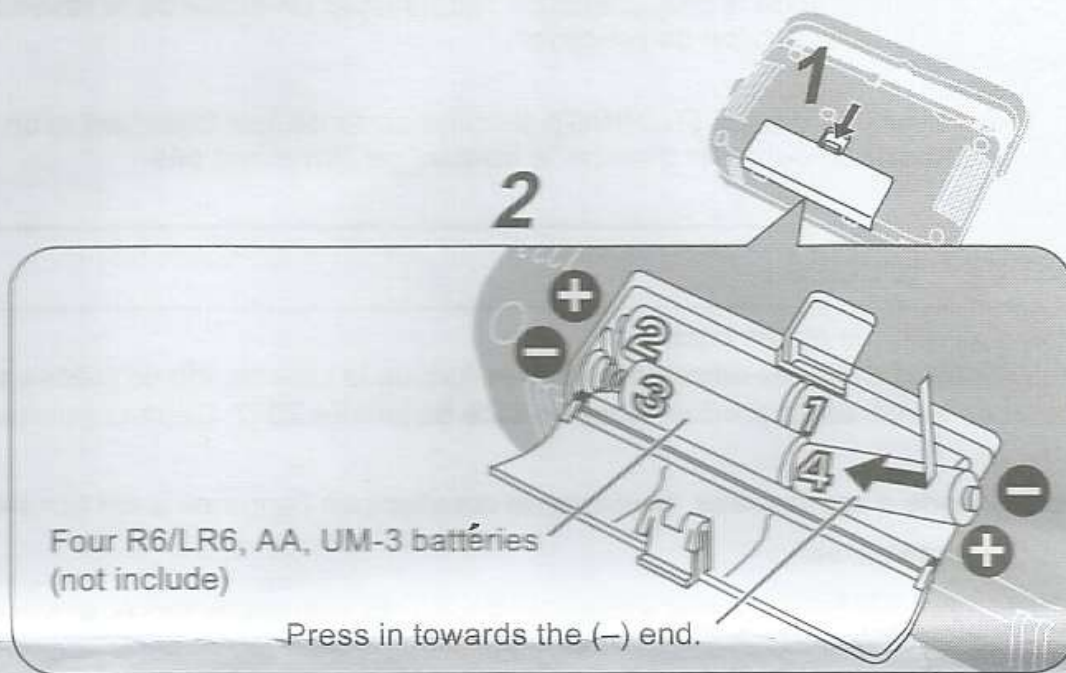
The included AC power supply cord is for use with this unit only. Do not use it with other equipment.



■ Using dry cell batteries (not included)

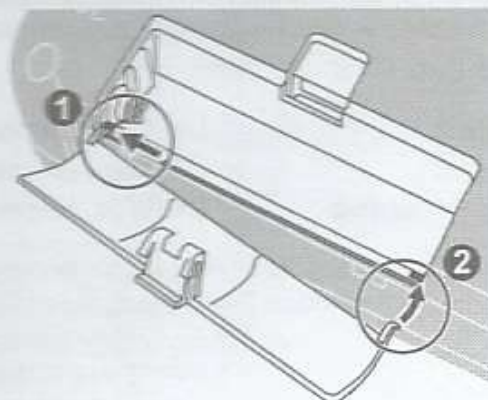
Unplug the AC power supply cord from the household AC outlet and the AC IN socket on the unit.

- 1** Open the battery lid.
- 2** Insert batteries in the designated order.



■ If the battery lid comes loose

Insert the protrusions on the lid into the cutouts on both sides of the compartment.



Specifications

Frequency range

FM 87 – 108 MHz

AM 520 – 1710 kHz

Output jack Earphone, \varnothing 3.5 mm ($\frac{1}{8}$ "), 8 Ω

Speaker 10 cm (4"), 4 Ω (Full range)

Power requirement

AC 120 V, 60 Hz

Battery 6 V (Four R6/LR6, AA, UM-3 batteries)

Power consumption 3 W

Dimension (WxHxD) 234 x 122 x 82 mm
(9 $\frac{1}{4}$ " x 4 $\frac{3}{4}$ " x 3 $\frac{1}{4}$ ")

Mass 690 g (1 lb. 8.3 oz.) (without batteries)

Battery life:

	Alkaline (LR6)	Manganese (R6)
FM	Approx. 52 H	Approx. 21 H
AM	Approx. 55 H	Approx. 20 H

Power consumption in standby mode: 0.4 W

Note:

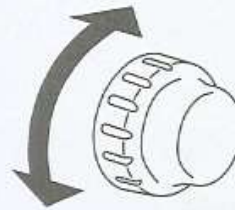
Specifications are subject to change without notice. Mass and dimensions are approximate.

Listening to the Radio

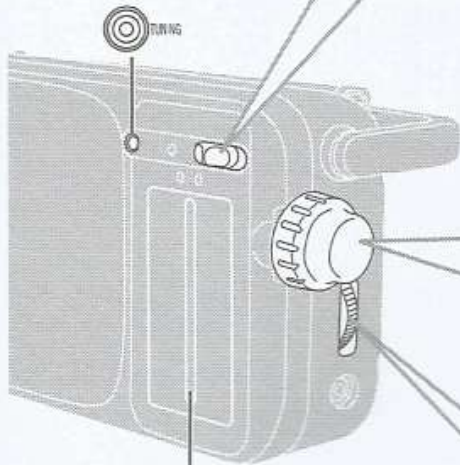
1 Set [OFF/BAND] to FM or AM.



2 Tune to a station.



3 Adjust the volume.



Luminous bar: Collects light from lighting equipment and the sun, and glows when the environment becomes dark.

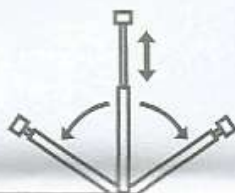
■ To turn the radio off

Set [OFF/BAND] to OFF.
OFF indicator turns orange.

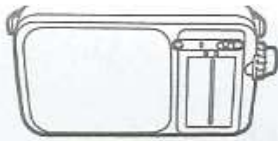


■ To adjust the antennas

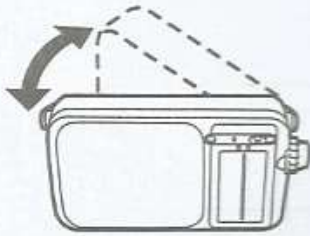
FM



Pull out the telescopic antenna and adjust its length and angle for optimum reception.



AM

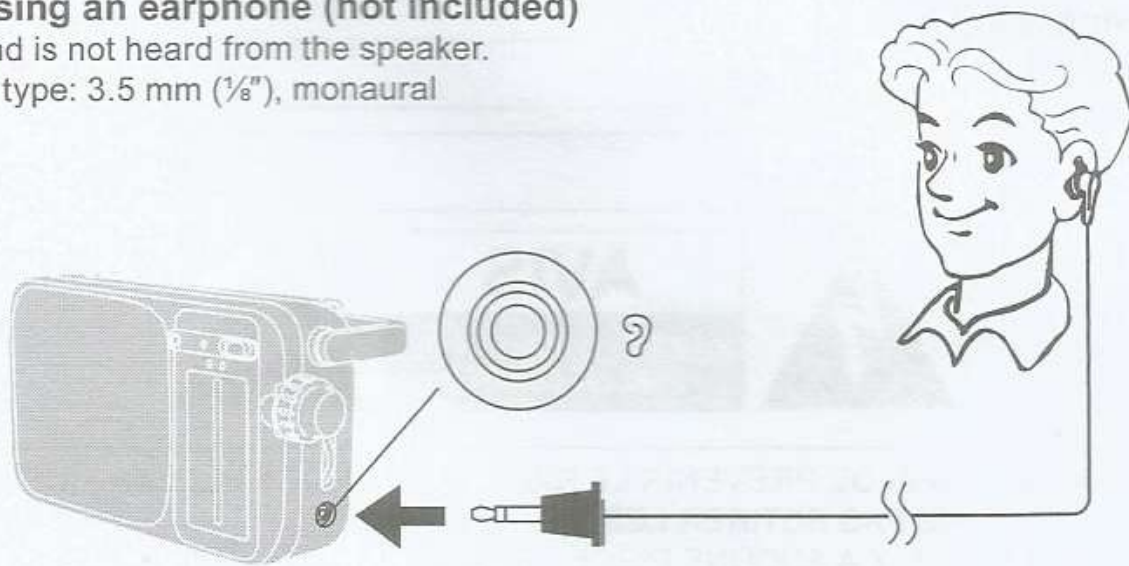


The unit has a built-in ferrite antenna, so try various directions for optimum reception.

■ Using an earphone (not included)

Sound is not heard from the speaker.

Plug type: 3.5 mm (1/8"), monaural



Maintenance

To clean this unit, use a soft, dry cloth.

If the surfaces are extremely dirty, use a soft cloth dipped in a soap-and-water solution or a weak detergent solution.

- Never use alcohol, paint thinner or benzine to clean this unit.
- Before using chemically treated cloth, read the instructions that came with the cloth carefully.