

OLYMPUS

MAINTENANCE MANUAL

OEV201U/E

(DETAILED)

INTRODUCTION

Repairs of this product require high-grade special knowledge and technique. We recommend to contact the Olympus agent in your country when the product goes out of order.

For remodeling or repairs to be done by the agent or person not authorized by us, we will not warrant the product and not be liable for any result.

CONTENTS

1.	SPECIFICATION -----	1-1 - 1-2
2.	CONNECTION DIAGRAM -----	2-1 - 2-5
3.	CIRCUIT DIAGRAM -----	3-1 - 3-5
4.	TROUBLESHOOTING -----	4-1 - 4-2
5.	DISASSEMBLY DRAWING -----	5-1 - 5-10
6.	PART LIST -----	6-1 - 6-23

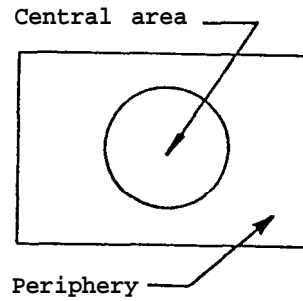
1. SPECIFICATIONS

1. System : 525 lines per picture, 60 fields per seconds
interlaced, PAL/SECAM/NTSC 3.58/NTSC 4.43
2. Power Source : OEV201 AC 100V, 60Hz/50Hz
OEV201 U AC 120V, 60Hz/50Hz
OEV201 E AC 220V, 60Hz/50Hz
3. Max Amps : 1.8A
4. Picture Tube : 184 (11-24/32x15-11/16)Sq.inches (19" diagonal),
High Resolution
CRT 0.43mm Dot Pitch, 90-degree deflection
5. Speaker Output : 1.5W (Typ)
6. Video/Audio Terminals : (LINE A & S-Video switchable/LINE B)

Video Input : 1.0Vp-p, 75 Ω or HIGH impedance (Auto)
BNC type connector
Video Through Out : Automatic Termination Opener, BNC type connector
Audio Input : 0.5Vrms, 22K Ω or more, phono type connector
Audio Through Out : Phono type connector
S-Video Input : Y signal 1.0Vp-p, C signal 0.286Vp-p, 75 Ω or
HIGH impedance (Manual), MINI DIN 4P type
connector
S-Video Output : Y signal 1.0Vp-p, C signal 0.286Vp-p, 75 Ω or
HIGH impedance (Manual), MINI DIN 4P type
connector
7. Component : (RGB)

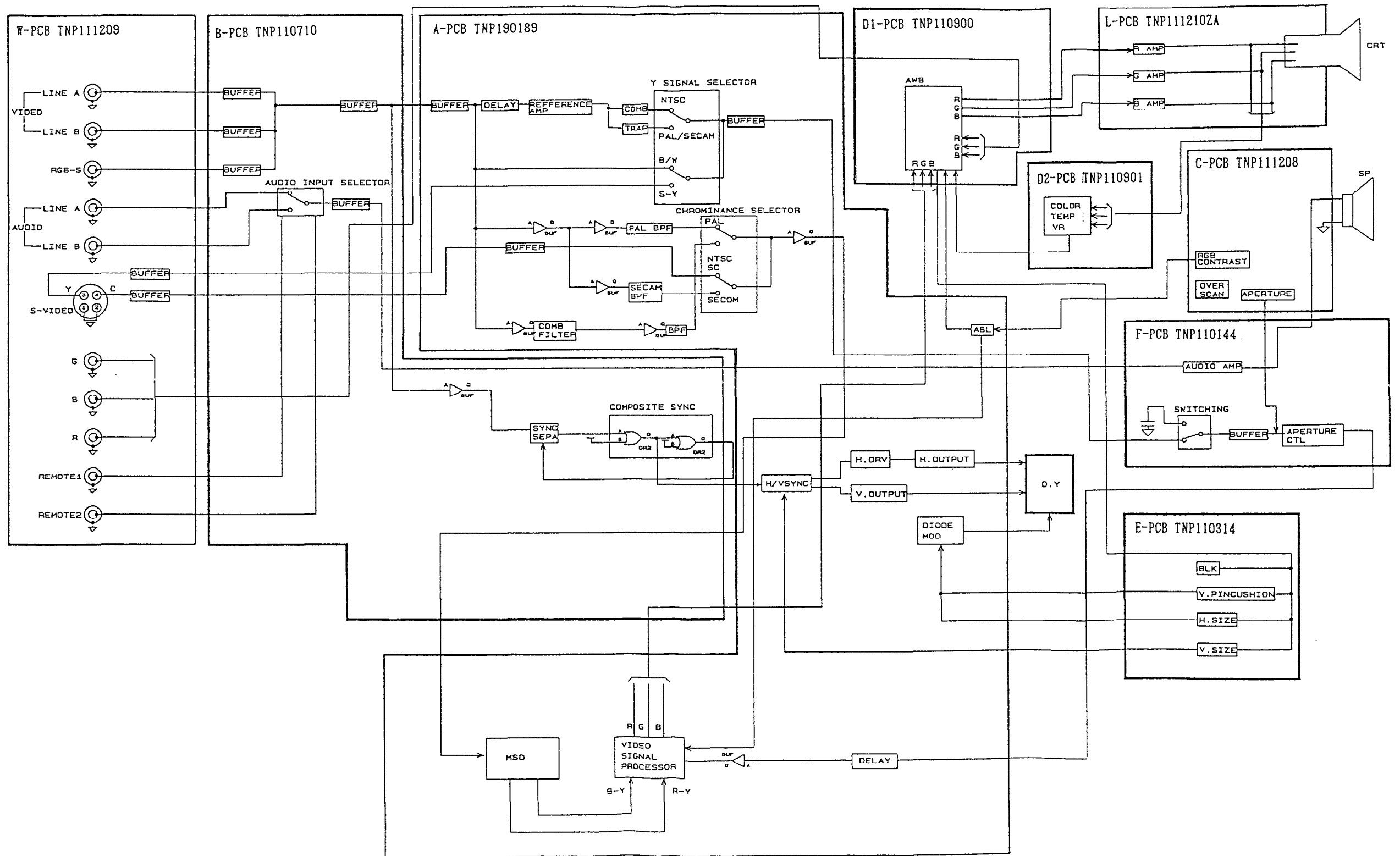
RGB Input R ; 0.7Vp-p, 75 Ω BNC type connector
G ; 0.7Vp-p, 75 Ω BNC type connector
B ; 0.7Vp-p, 75 Ω BNC type connector
Sync.; 0.3V - 4Vp-p, 75 Ω BNC type connector
RGB Through Output R ; BNC type connector
G ; BNC type connector
B ; BNC type connector
Sync.; BNC type connector
8. Resolution : More than 700 TV lines (Horizontal)
9. Picture Linearity : Vertical within $\pm 7\%$, Horizontal within $\pm 7\%$
10. Color Temperature : 6500K, 9300K (switchable)

11. Convergence Error
Central area ; Less than 1.0mm
Periphery ; Less than 1.6mm

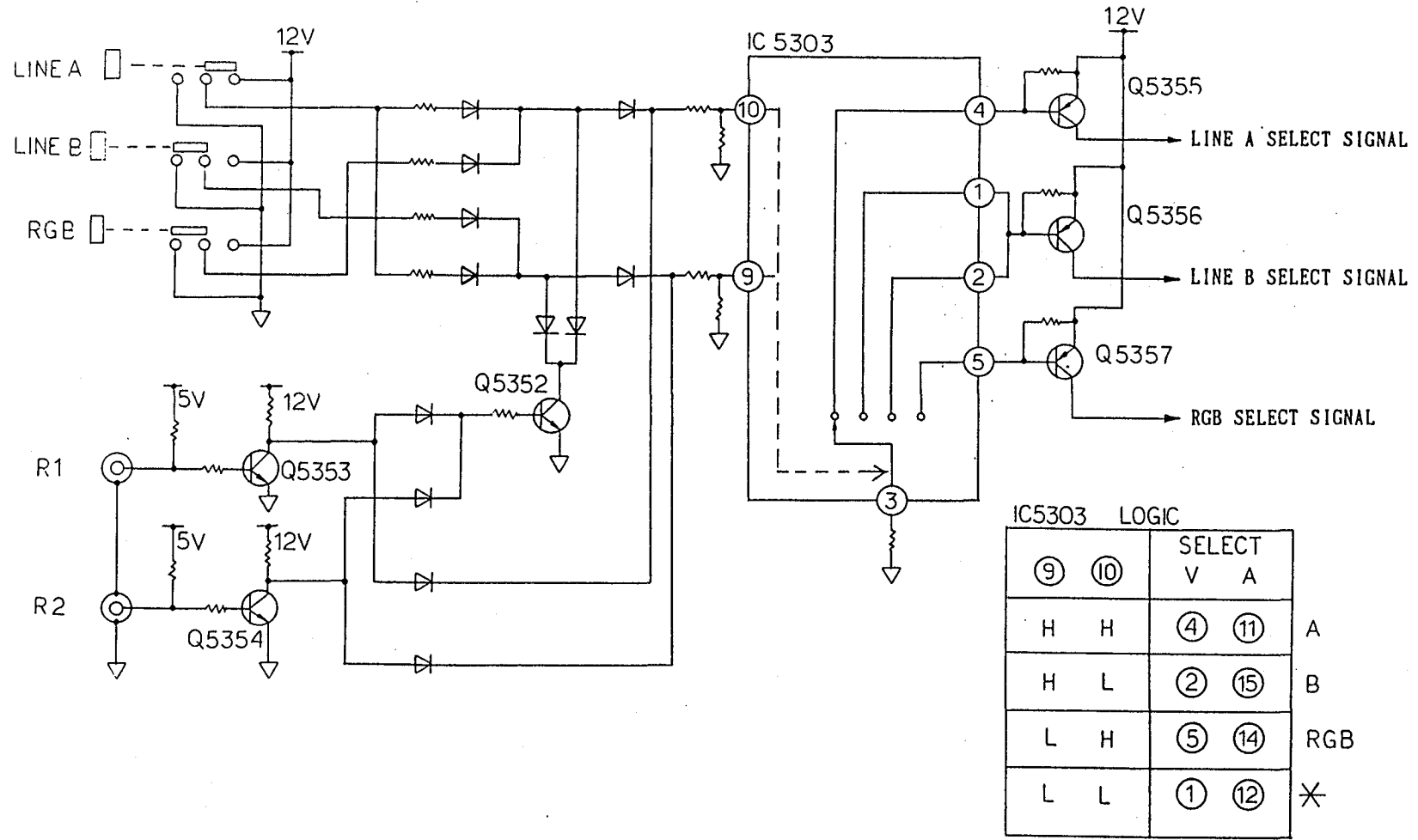


12. Dimensions :
Width ; 17-21/32 inches (448mm)
Depth ; 20-31/32 inches (532mm)
Height ; 16-5/16 inches (414mm)
13. Weight : 27.5Kg
14. Operating Temperature : 32° F - 104° F (0°C - +40°C)
15. Operating Humidity : 30% - 85%
16. Warm Up : 30 minutes to meet specification
17. Accessory : AC Power cord
: Front cover

2. CONNECTION DIAGRAM



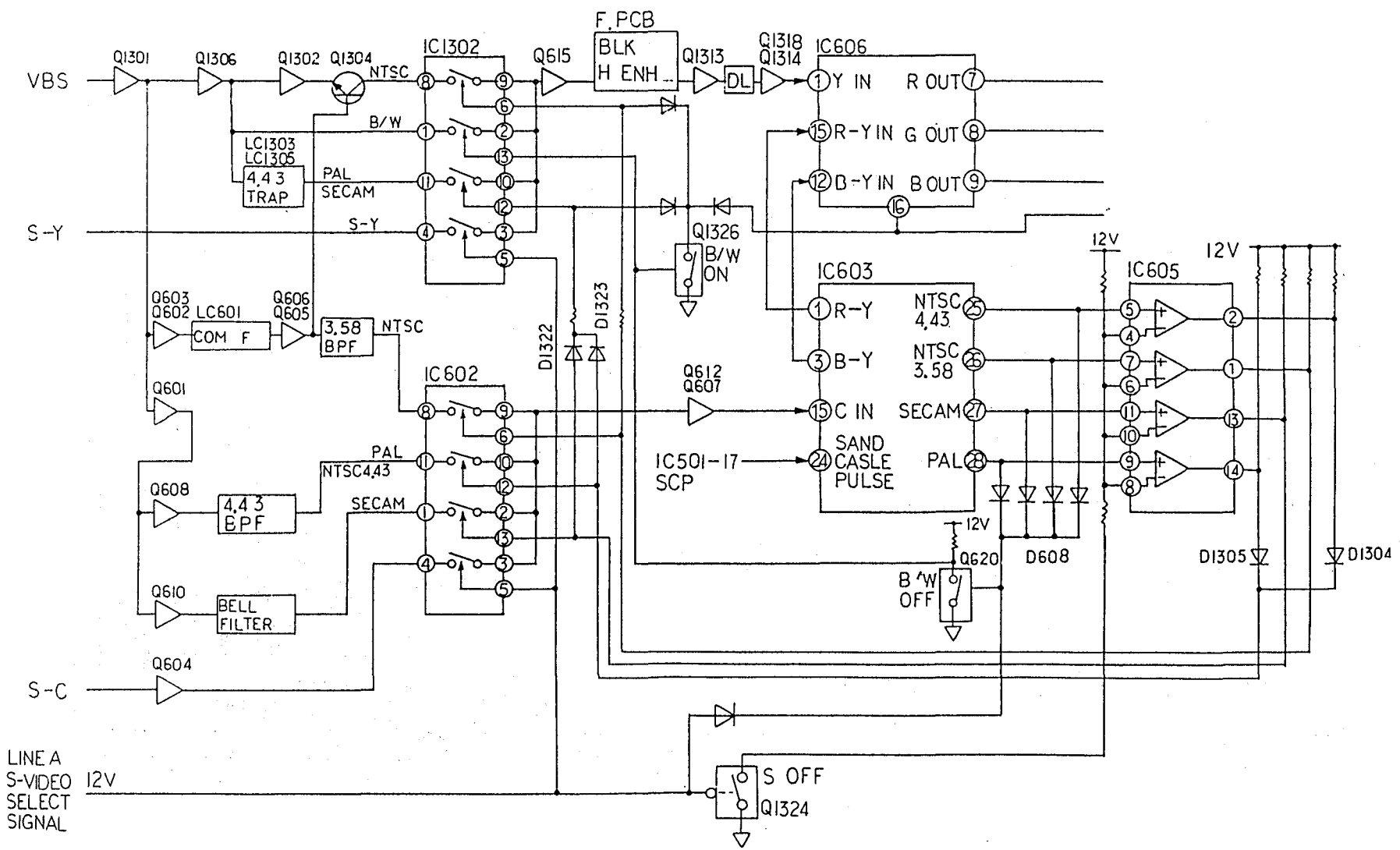
Block Diagram-2



IC5303 LOGIC

⑨	⑩	SELECT		
		V	A	
H	H	④	⑪	A
H	L	②	⑮	B
L	H	⑤	⑭	RGB
L	L	①	⑫	✕

Block Diagram-4



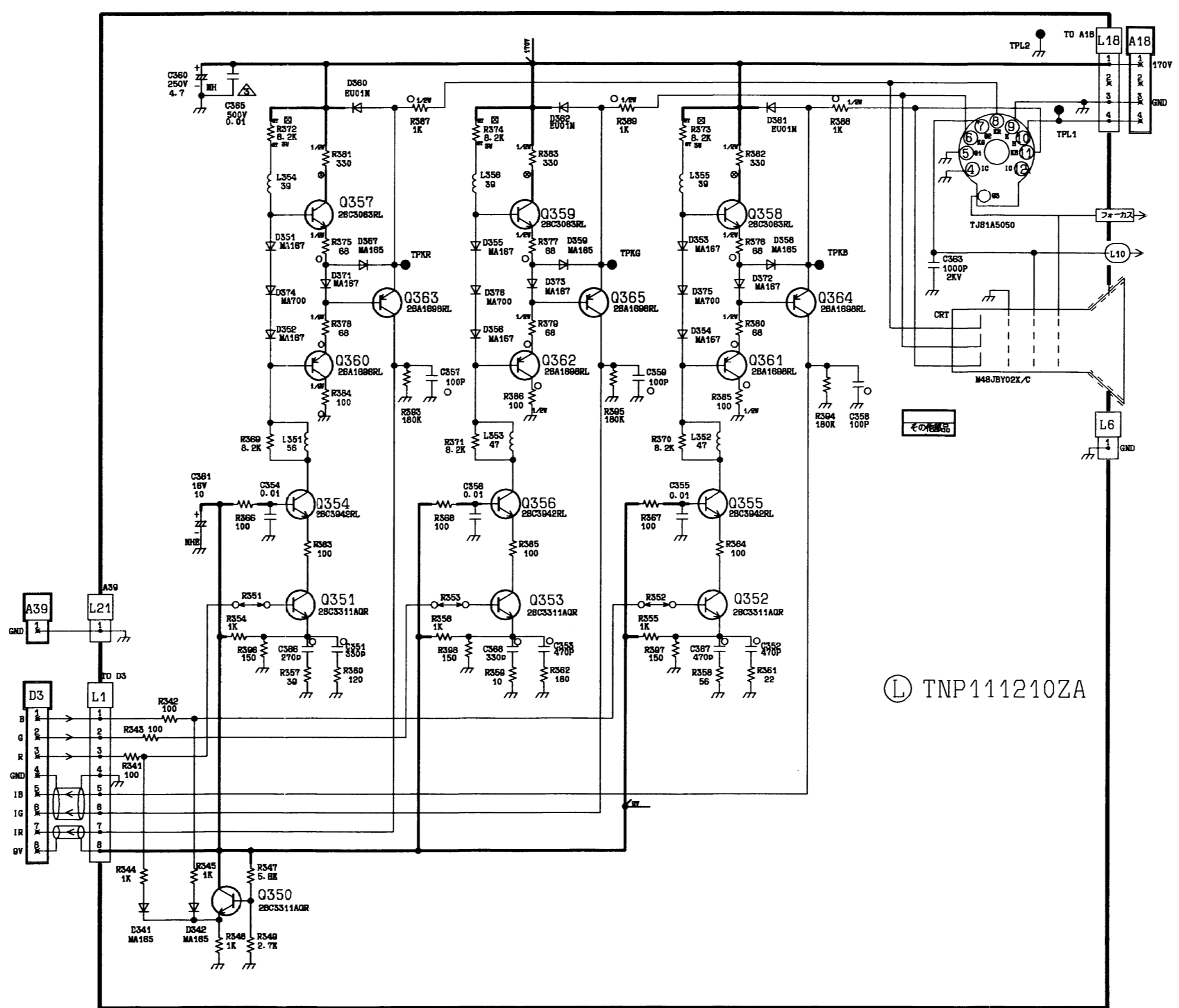
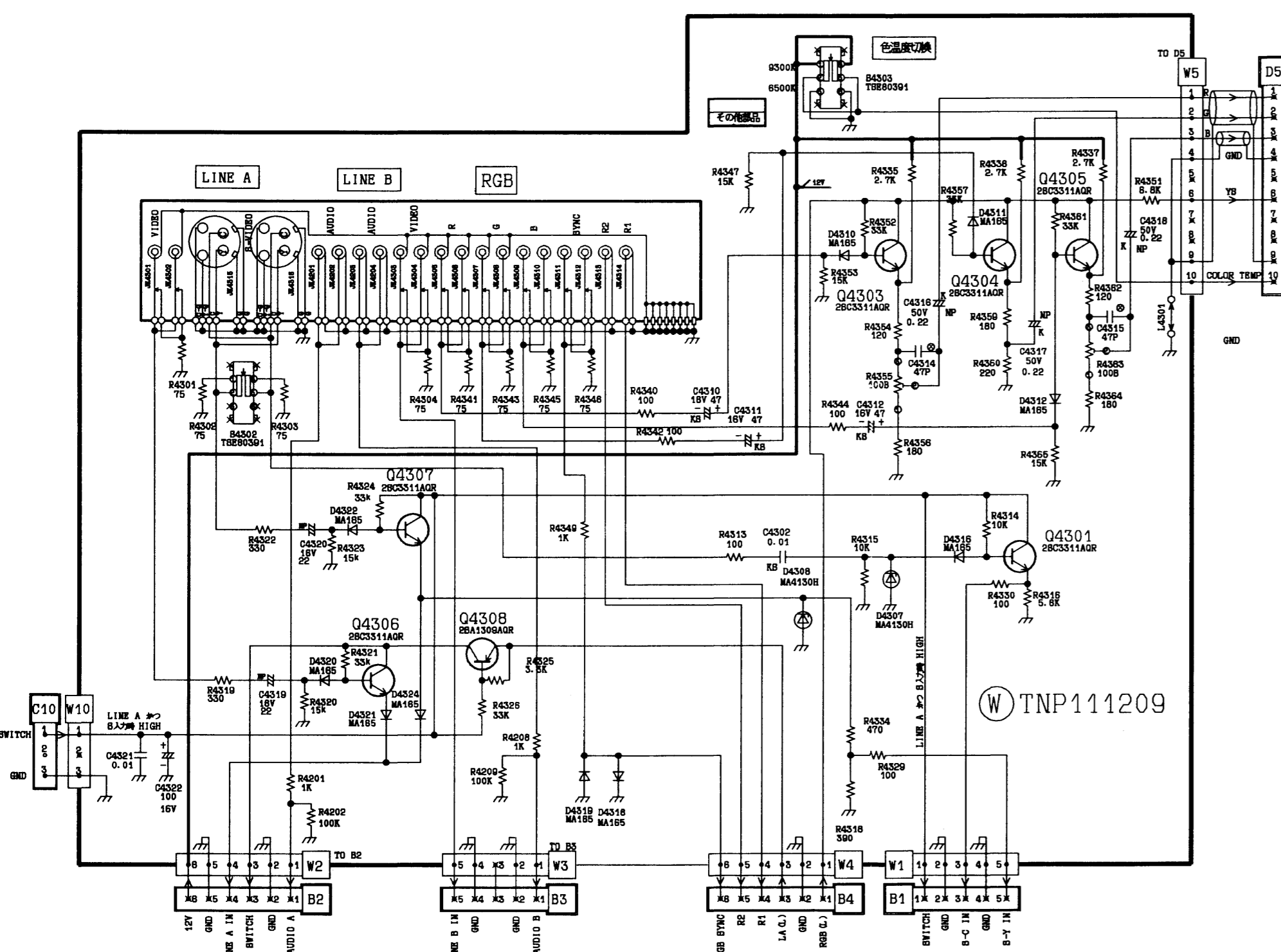
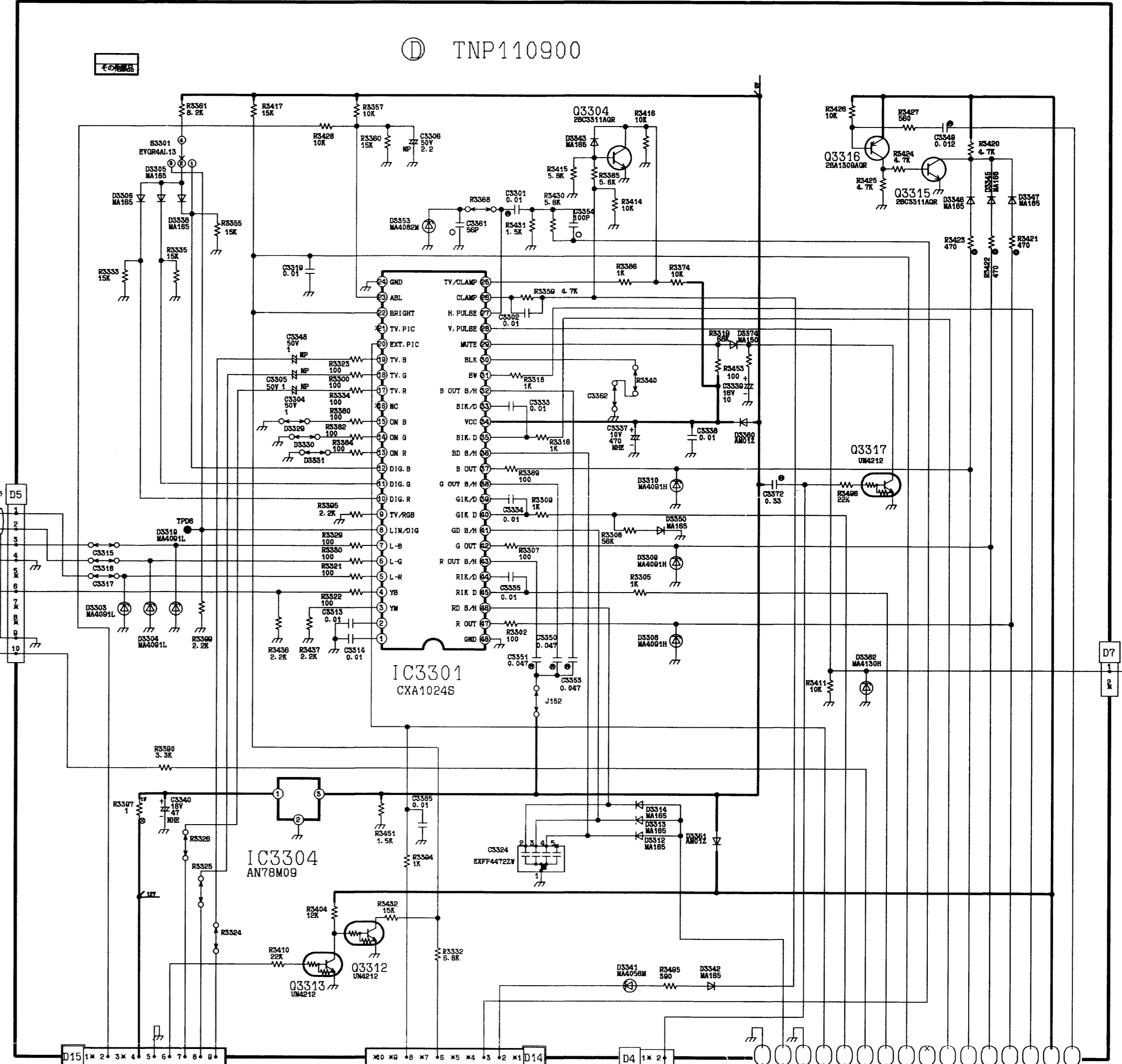
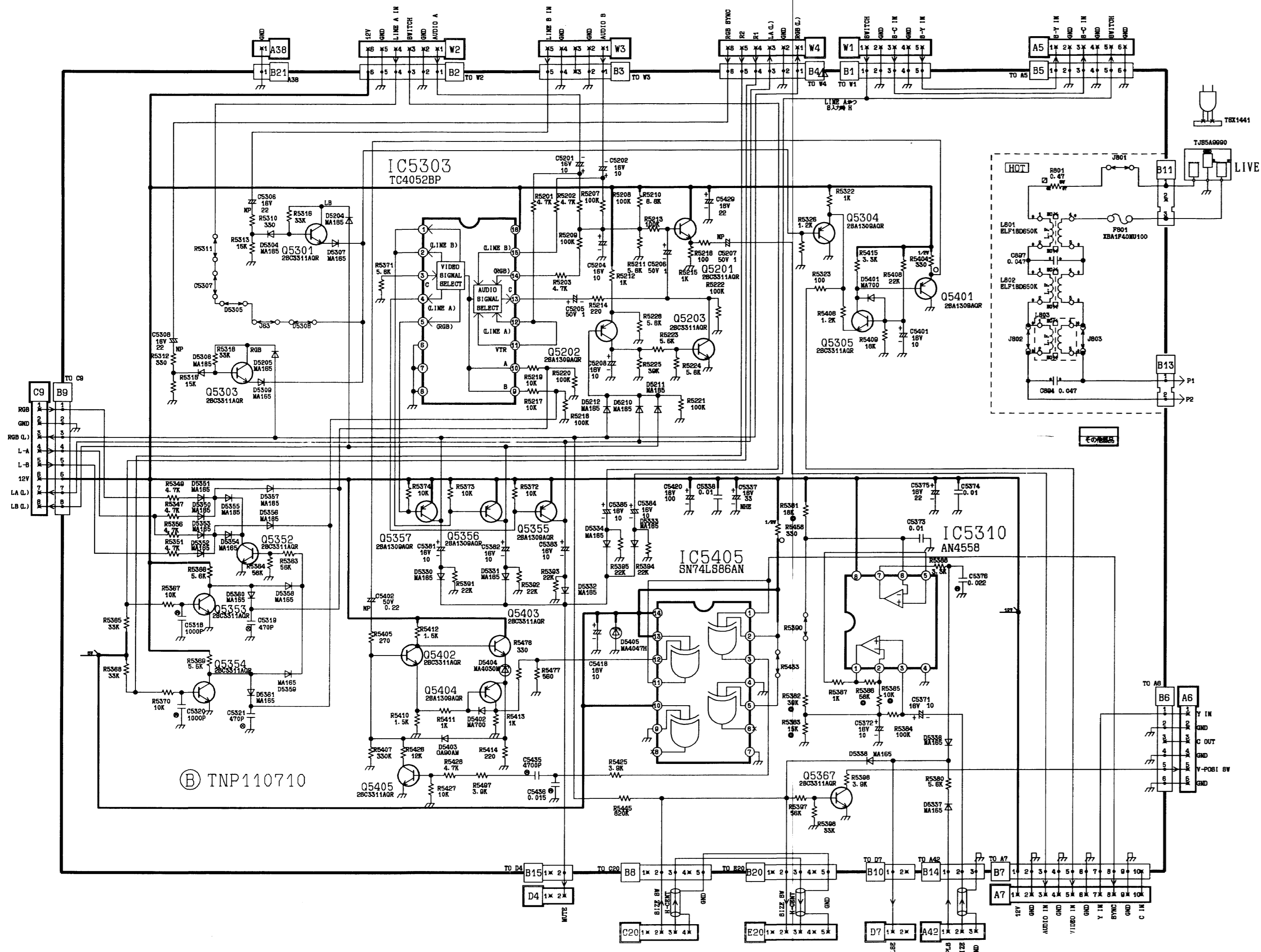
3. CIRCUIT DIAGRAM

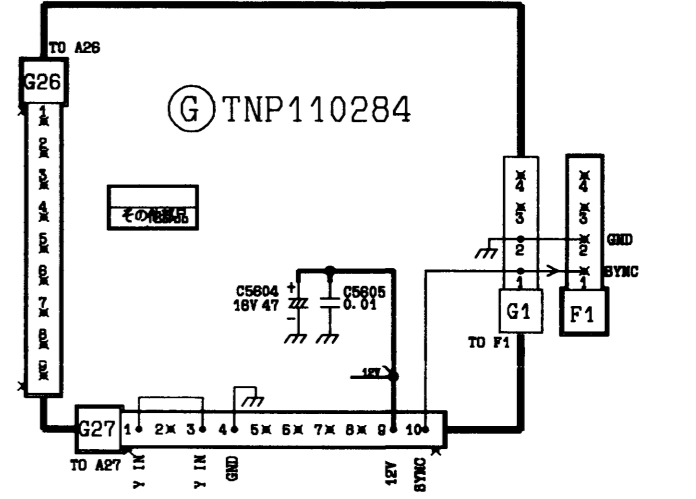
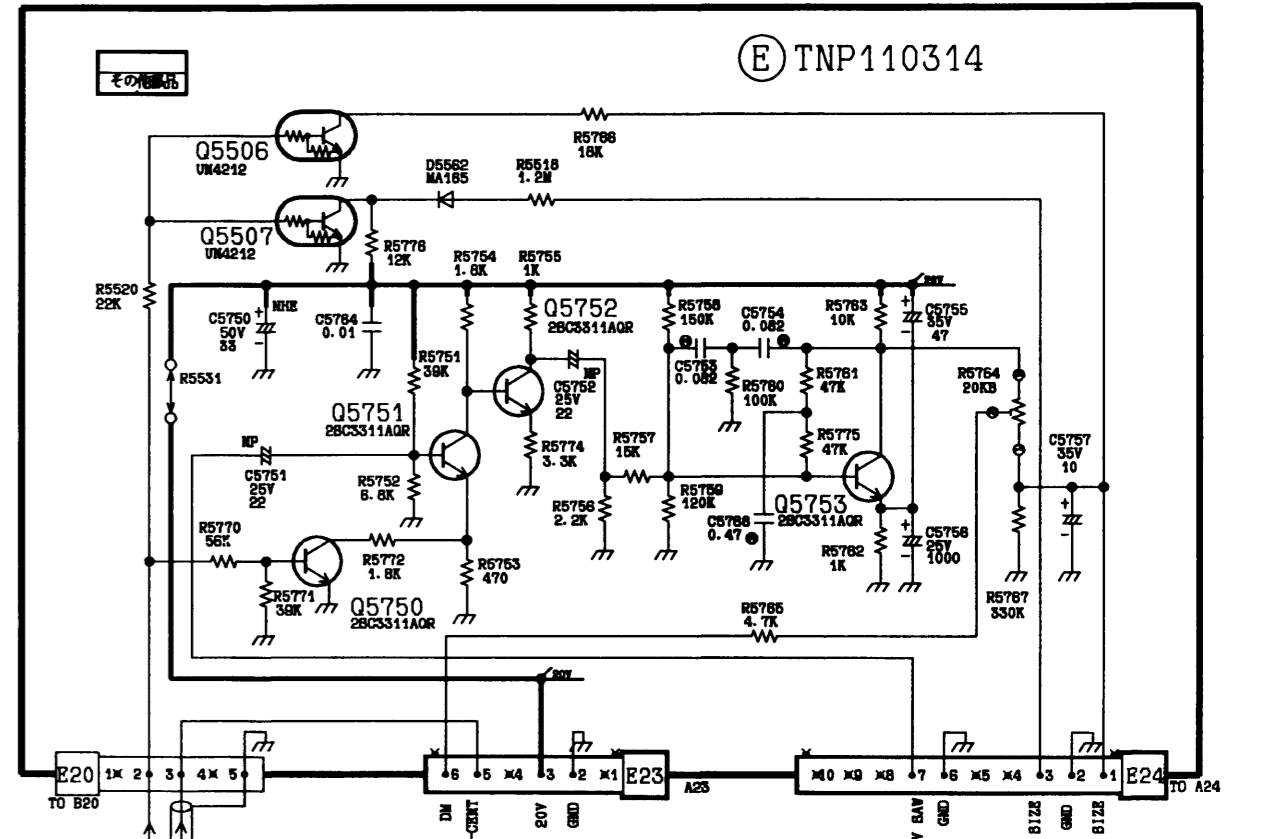
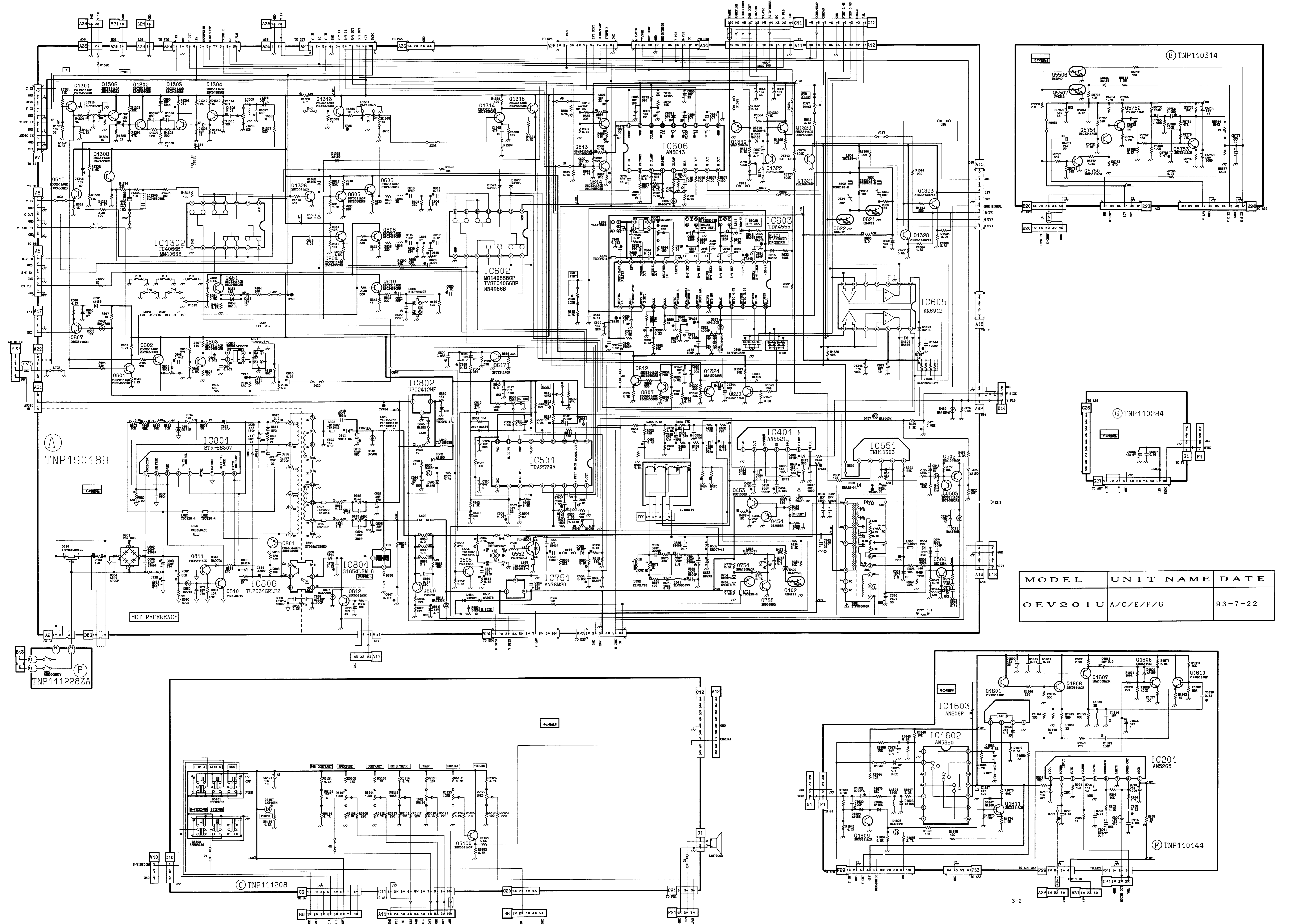
OEV201U ----- B/D/L/W

OEV201U ----- A/C/E/F/G

OEV201E ----- B/D/L/W

OEV201E ----- A/C/E/F/G



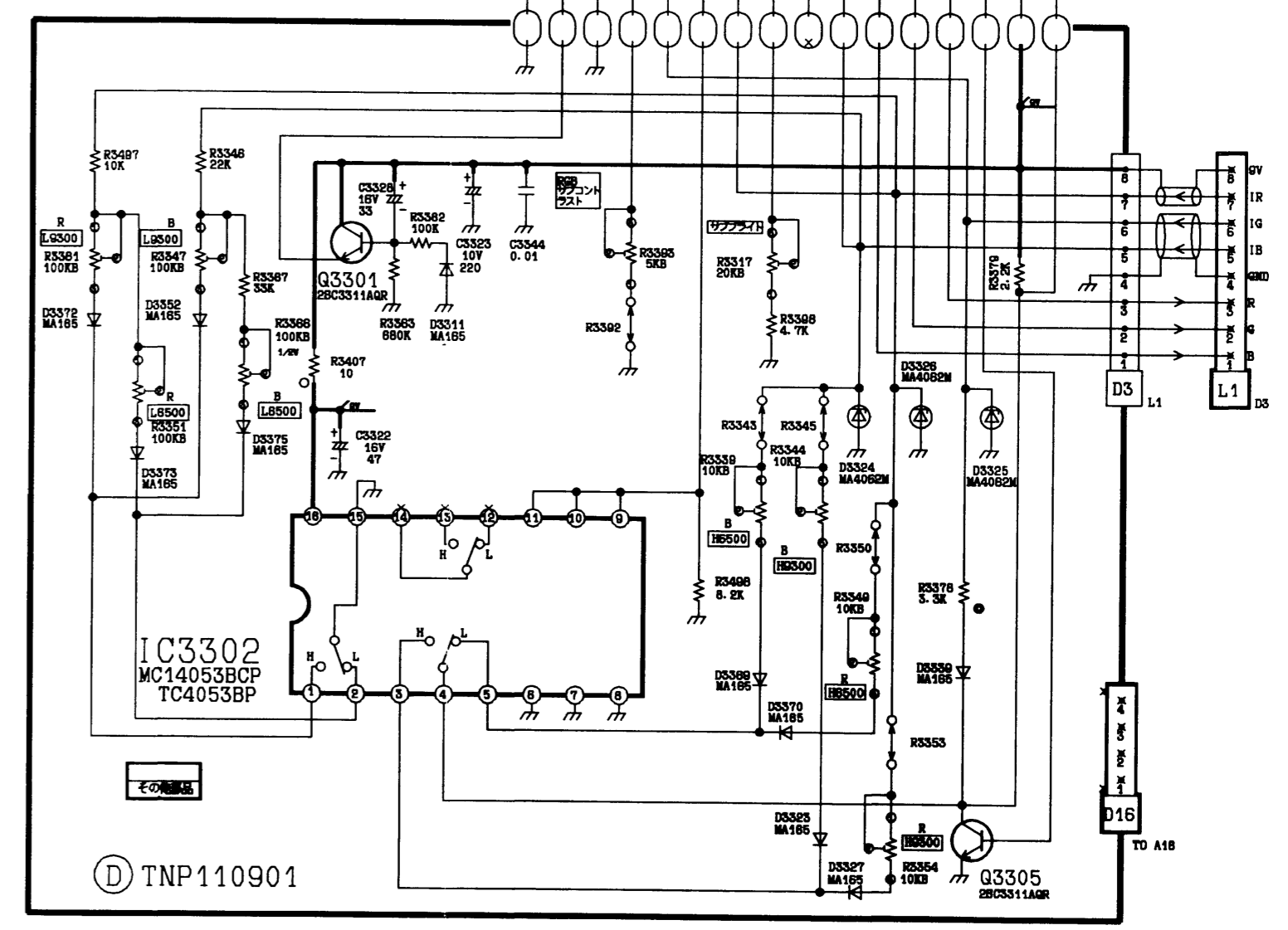
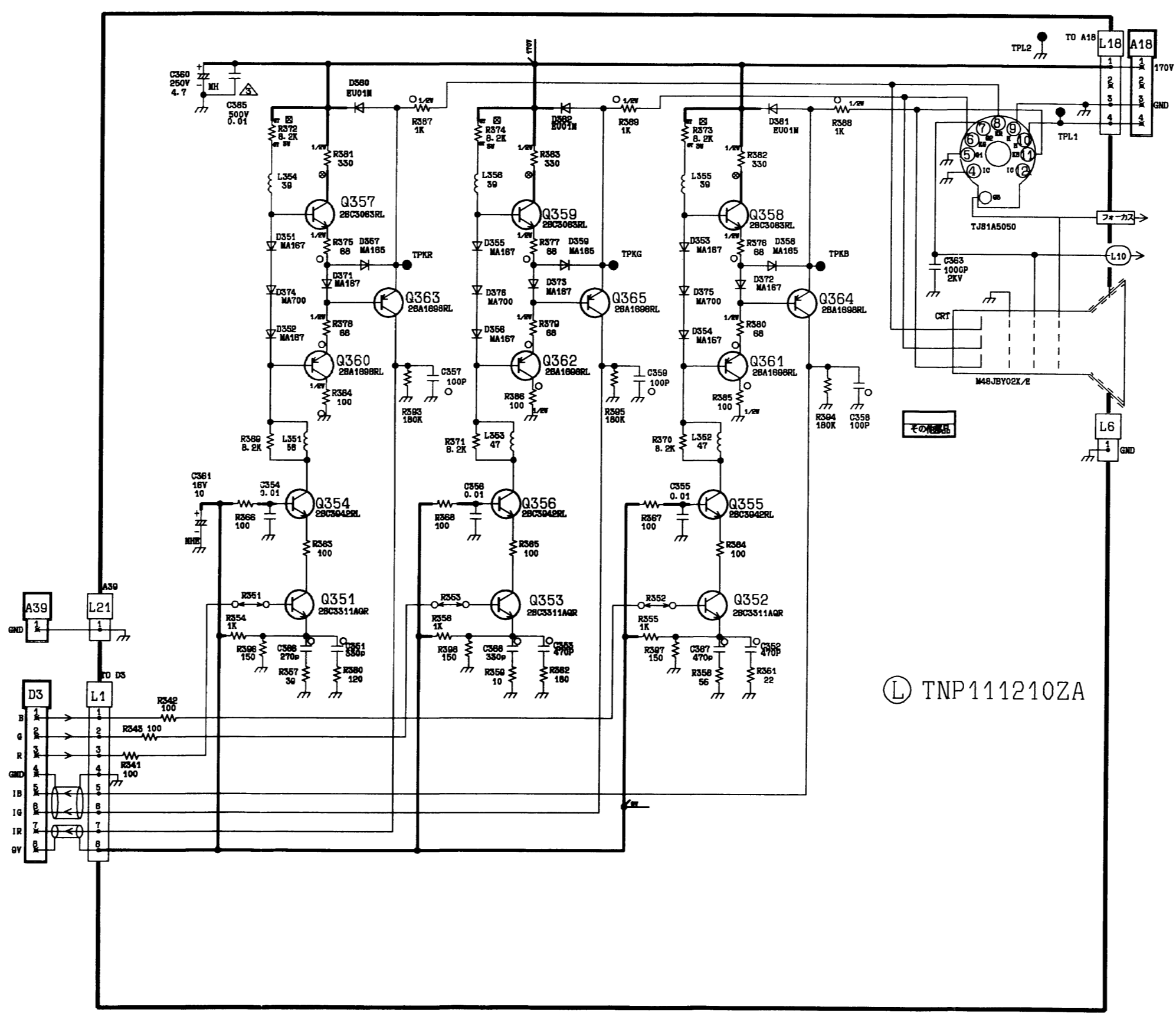
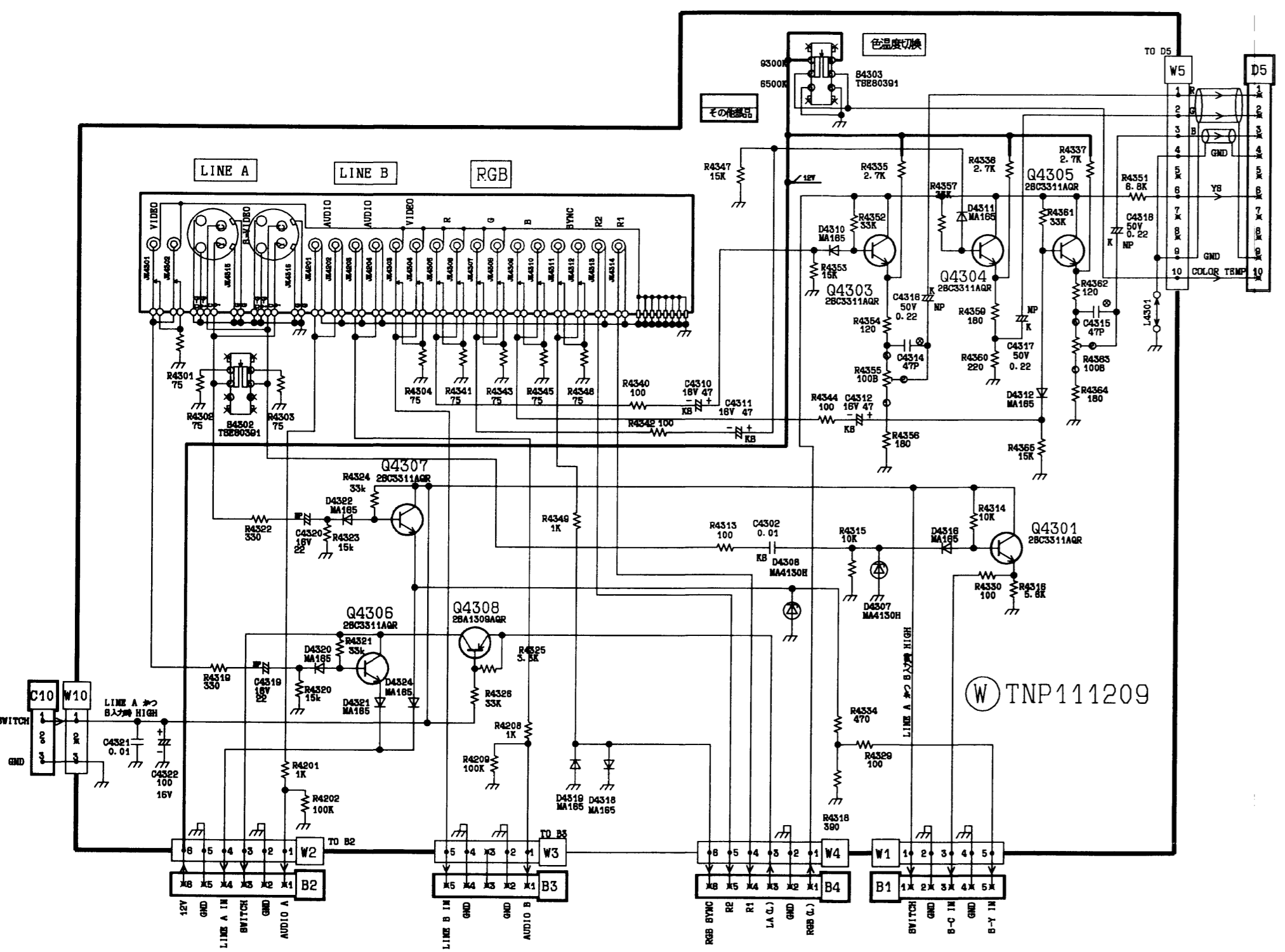
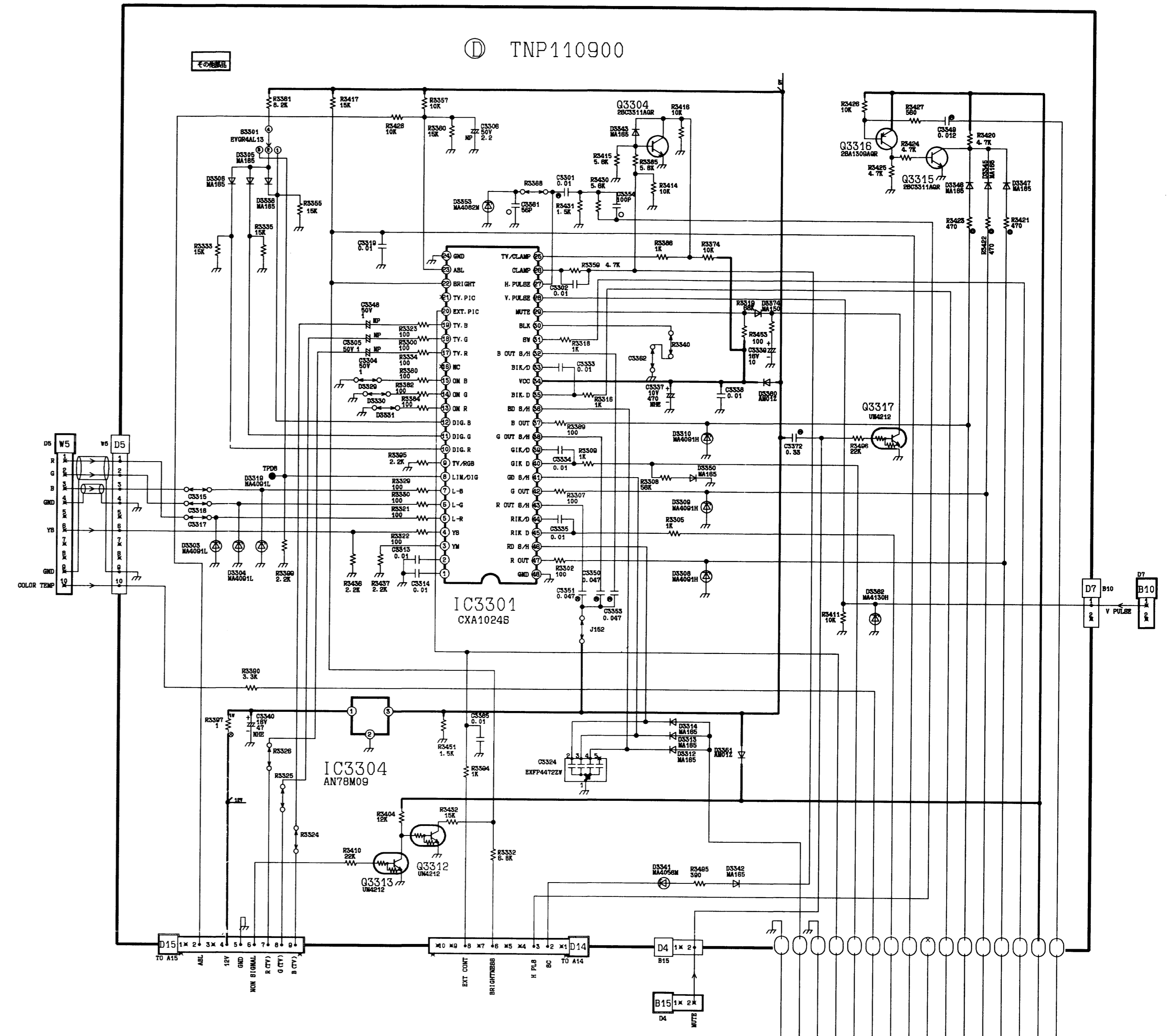
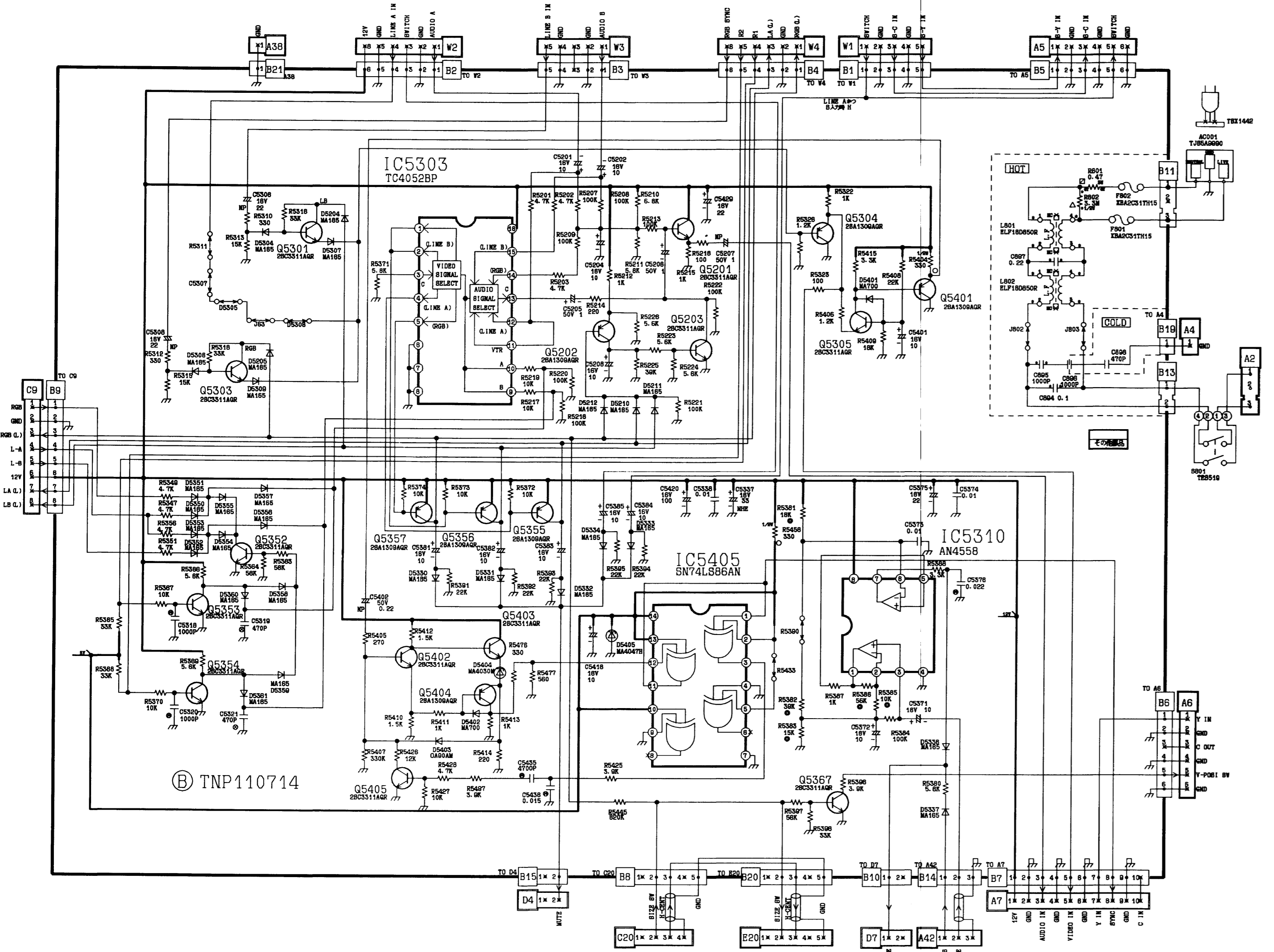


MODEL	UNIT NAME	DATE
OEV201U	A/C/E/F/G	93-7-22

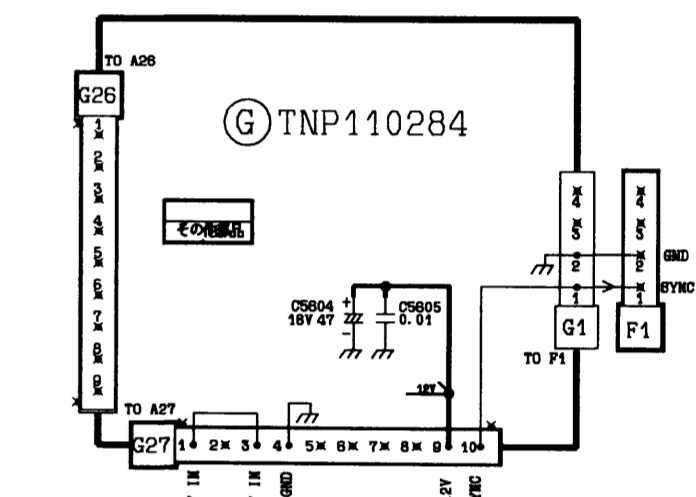
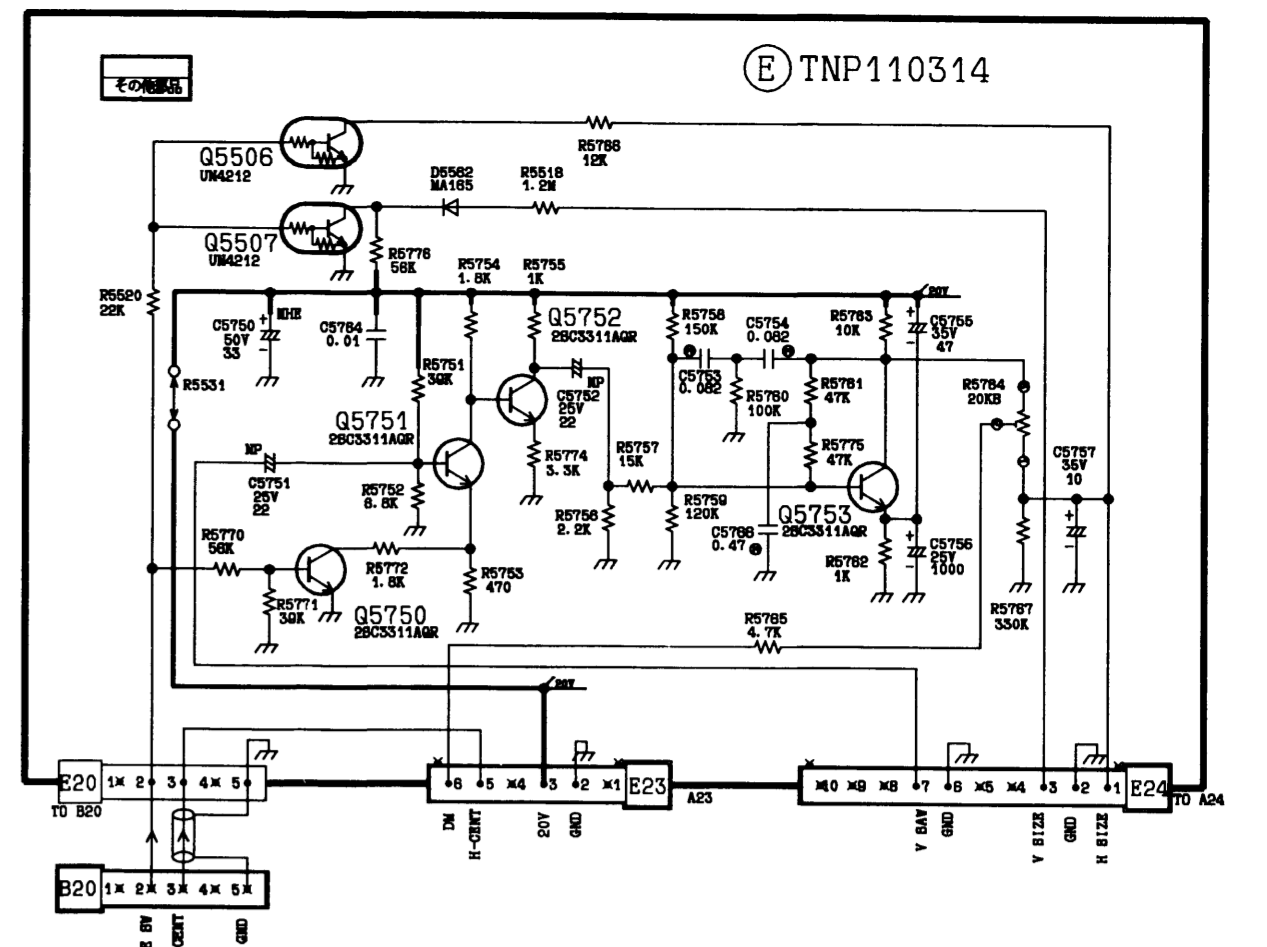
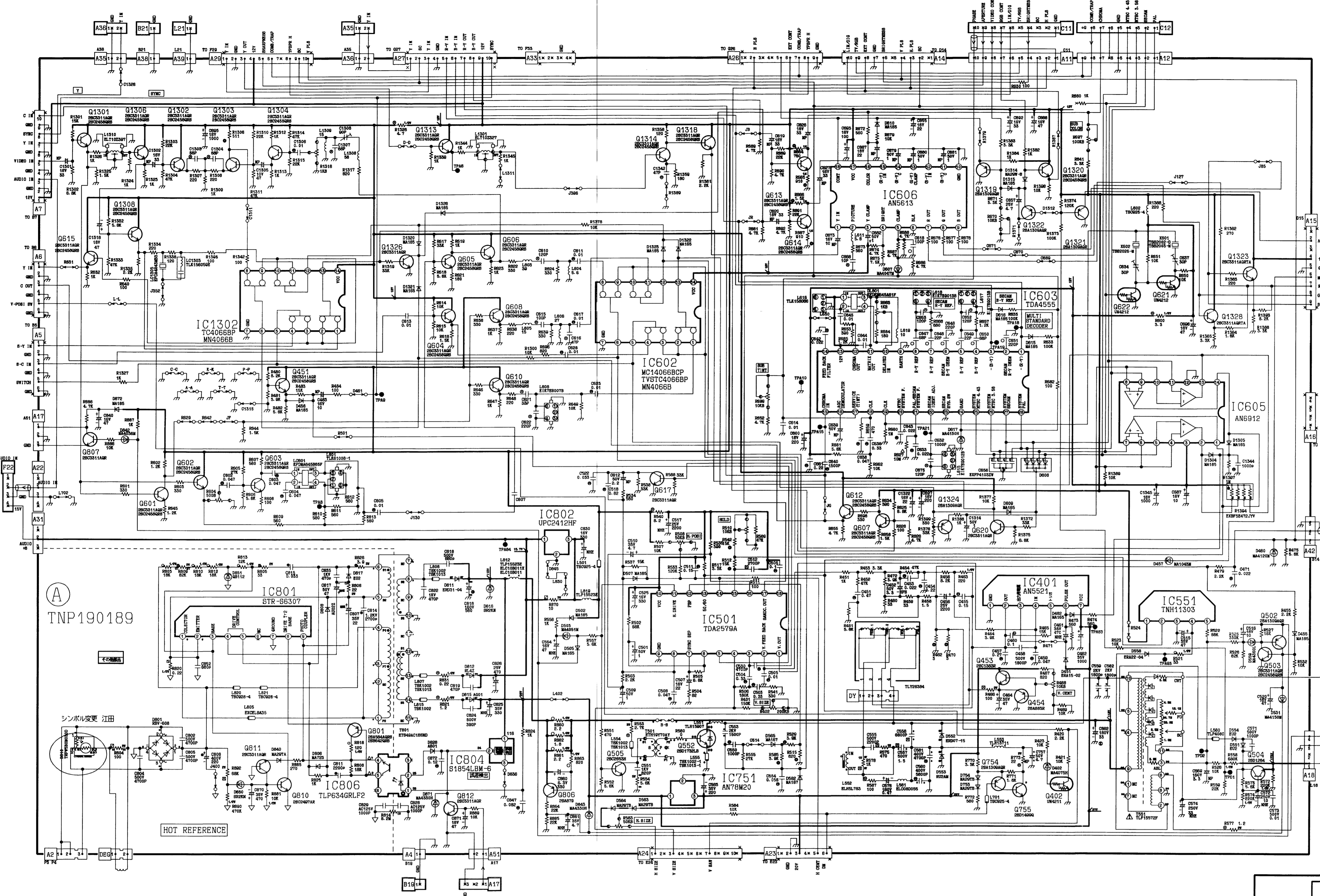
(A) TNP190189

(P) TNP1112282A

(C) TNP111208

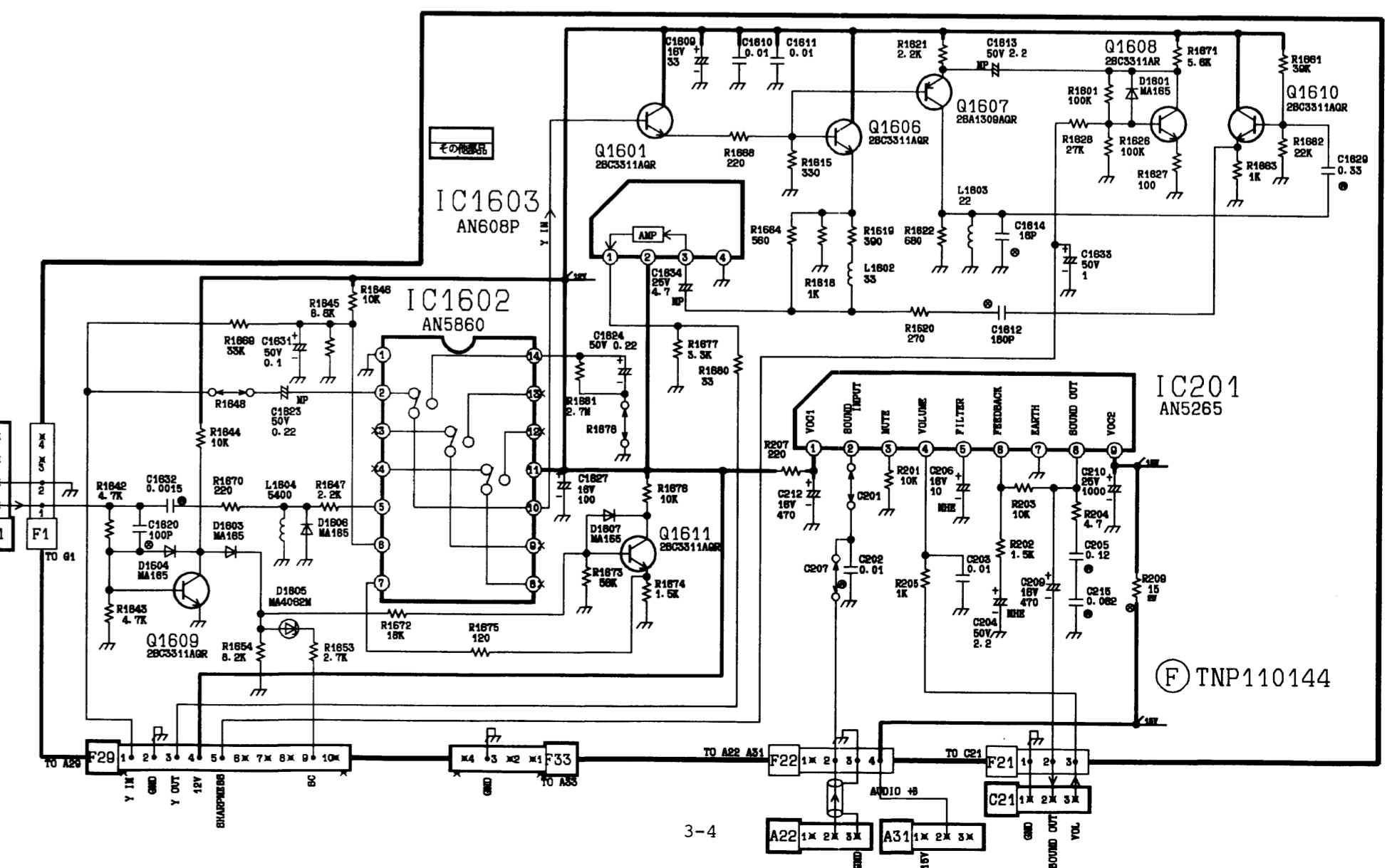
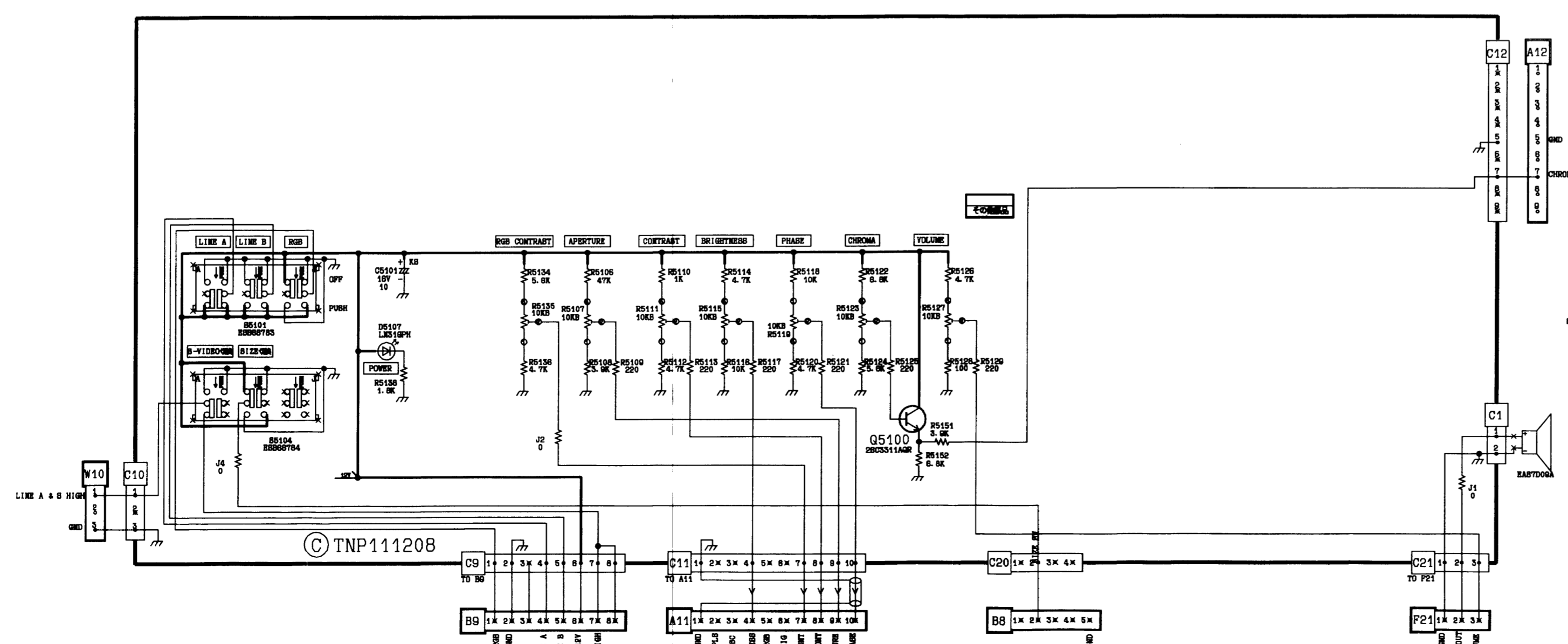


MODEL	UNIT NAME	DATE
OEV201E	B/D/L/W	94-01-31

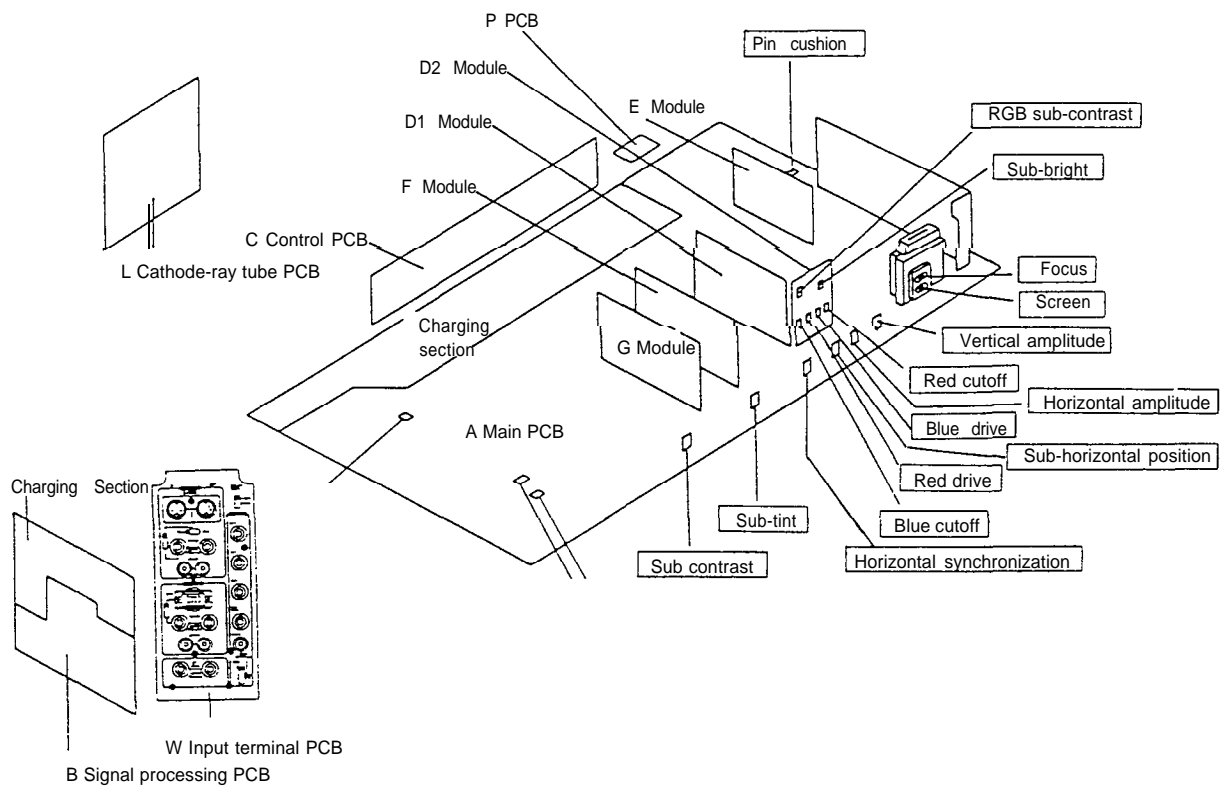


(A) TNP190189

MODEL	UNIT NAME	DATE
OEV201E	A/C/E/F/G	94-01-31



Layout of PCBs



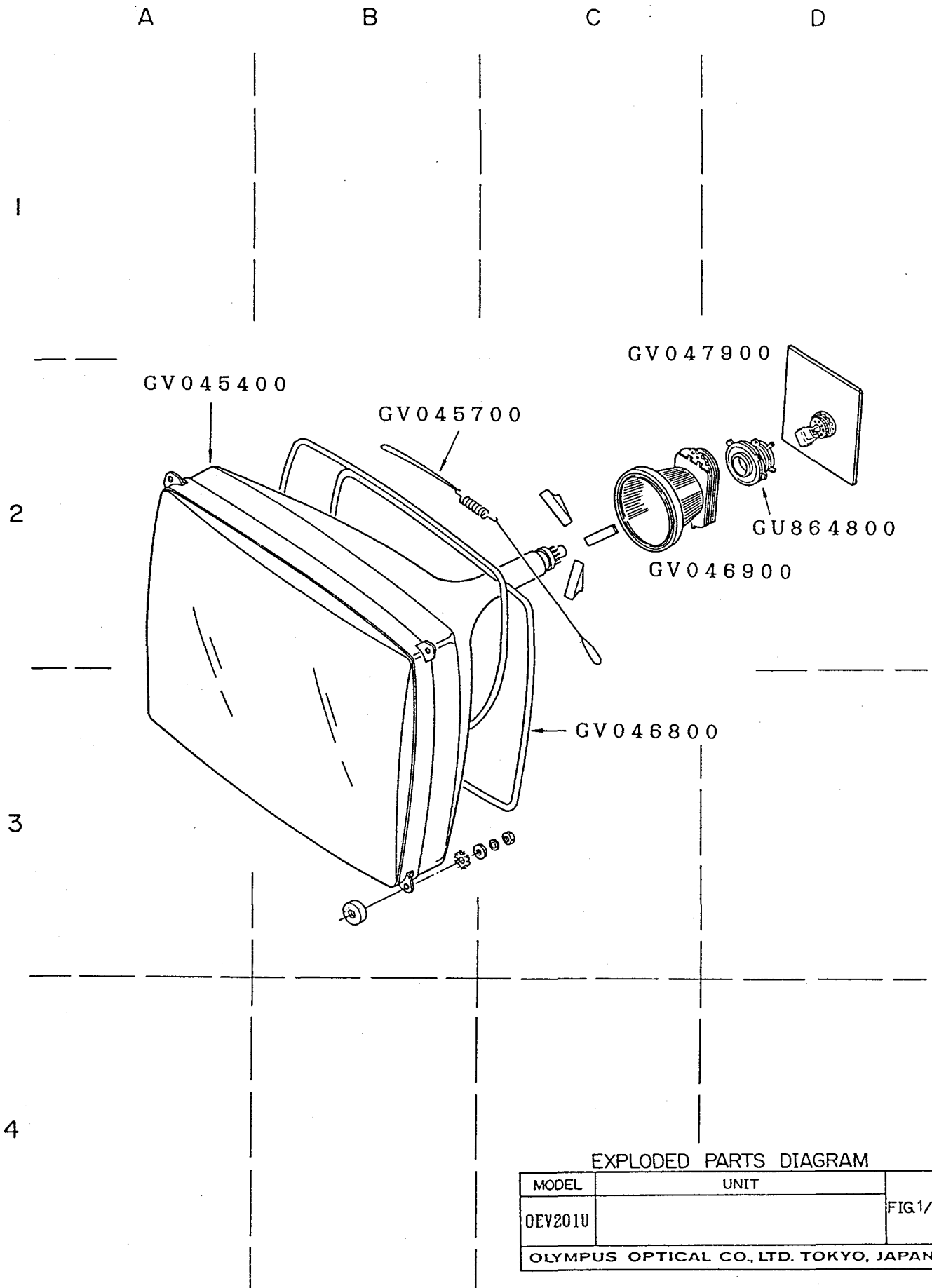
4. TROUBLESHOOTING

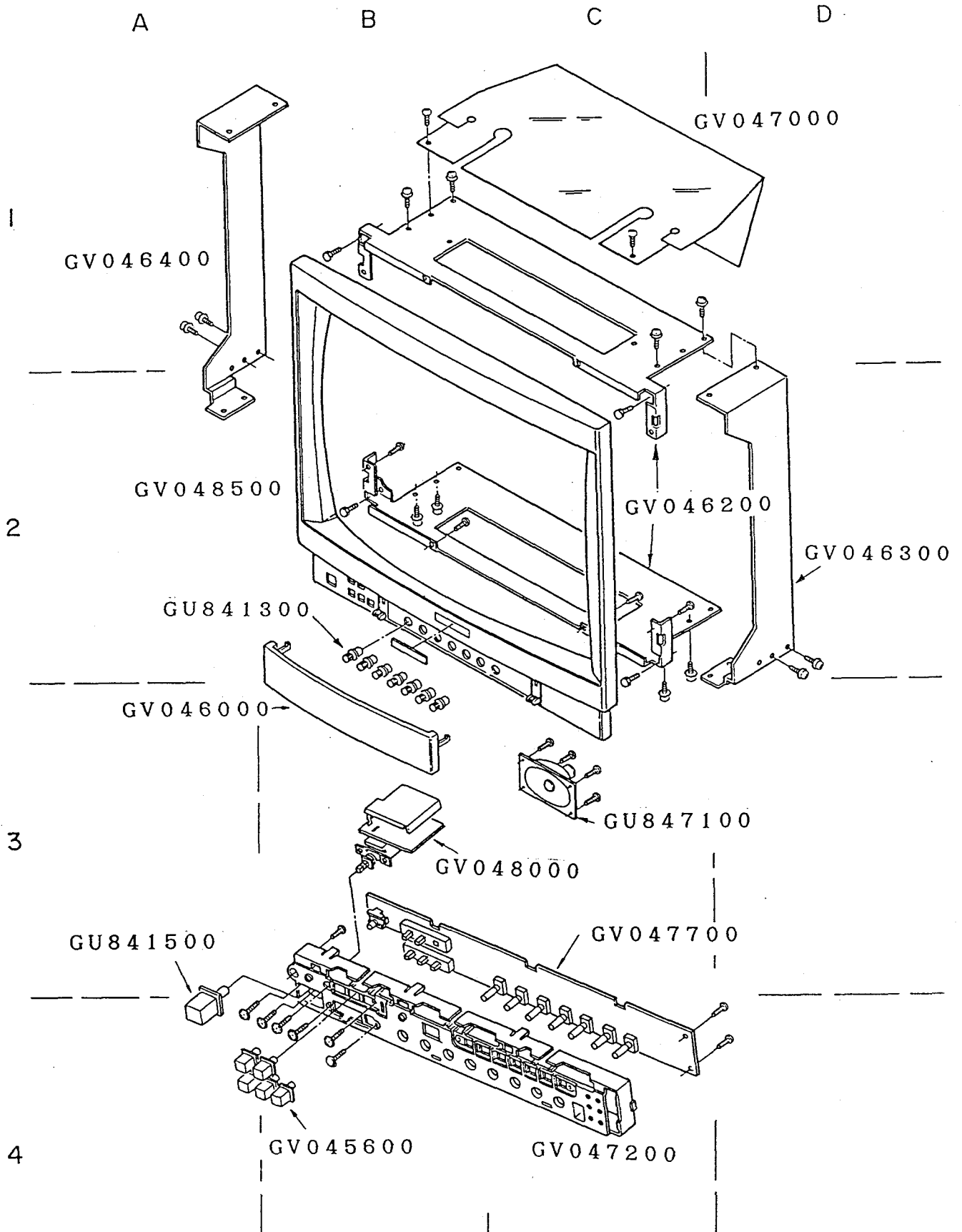
- If a defect is not corrected even after checking or adjusting the items listed below, contact the sales shop.
- Be sure to disconnect the power cord plug before opening the unit cover when checking or adjusting.
- The unit internal mechanism includes the part containing and very dangerous. Never repair the unit inside. Call the qualified serviceman.
- The unit is connected to a medical equipment. Never use the other parts than the specified repair parts.

Symptom	Check point.
1. No power even if the power switch is turned on. (The power supply LED does not light.)	① Check if the AC outlet is powered. ② Open the cover and check if the fuse is blown. ③ Contact the shop.
2. Power is supplied with the LED lit, but no image appear.	① Check the LINE A/B/RGB signal selector switch. ② When no image appears with LINE A, check the VBS/S-VIDEO selector switch. ③ When no image appears with RGB, check if the SYNC terminal is supplied with the sync signal. ④ Contact the shop.
3. Abnormal color in a part or periphery of an image.	① Check if there is a magnetized device near the TV. ② Demagnetize by using a demagnetizer. ③ Contact the shop.
4. Blurred white character for the RGB signal.	① Check if the Blur appears with the VBS signal of the same image. If not, check the signal source. ② Contact the shop.
5. Abnormal color of a whole image	① With the VBS or S-VIDEO signal in the NTSC system. check the setting of PHASE. ② With the RGB signal. check if any signal wire is broken. ③ Contact the shop.
6. Too bright image.	① With the S-VIDEO signal, check if the terminating switch is ON. ② With the VBS or RGB signal, check if any cable is connected to the signal connector 'OUT'. If so, check the circuit is terminated at the end of that cable. ③ Check the setting of CONTRAST and BRIGHTNESS. ④ Contact the shop.
7. Too dark image	① Check the setting of CONTRAST and BRIGHTNESS. ② Check if terminating is duplicated. ③ Contact the shop.

Symptom	Check point.
8. Image is not colored with the S-VIDEO signal.	① Check the color signal side of the signal cable for a broken wire, ② Contact the shop.
9. Image is chipped in the upper/lower and left/right ends.	① Check if the overscan switch is set to the magnification position. ② Contact the shop.
10. The image center is displaced sideways	① Check if the setting of H-CENT is deviated. ② Contact the shop.
11. The image width is too large or small.	① Adjust the WIDTH control on the rear panel. ② Contact the shop.
12. The image height is too tall or low.	① Adjust the HEIGHT control on the rear panel. ② Contact the shop.
13. The image center is displaced vertically.	① Adjust the V. Conter control. (R468). ② Contact the shop.
14. The image vertical line curves.	① Adjust the V. Pinc control (R764). ② Contact the shop.
15. The LED is not changed even if the LINE A/B/RGB signal selector switch is changed over.	① Check if any thing is connected to the REMOTE terminal on the rear panel. ② Contact the shop.
16. Bluish image.	① Check if the color temperature setting switch is set to '9300° K' on the rear panel. ② Contact the shop.
17. The image color is too thin with the VBS/S-VIDEO signal.	① Check the setting of CHROMA. ② Contact the shop.

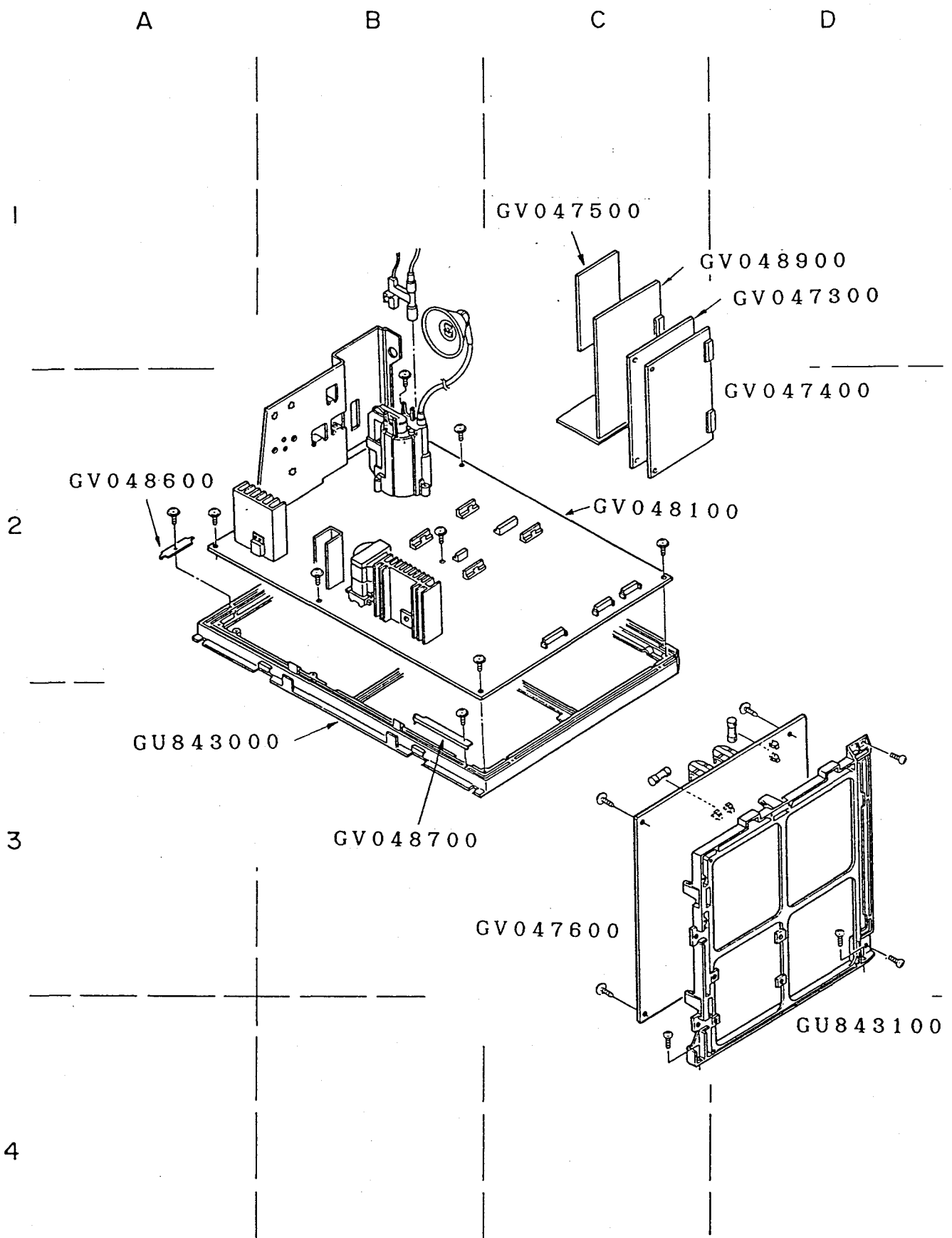
5. DISASSEMBLY DRAWING





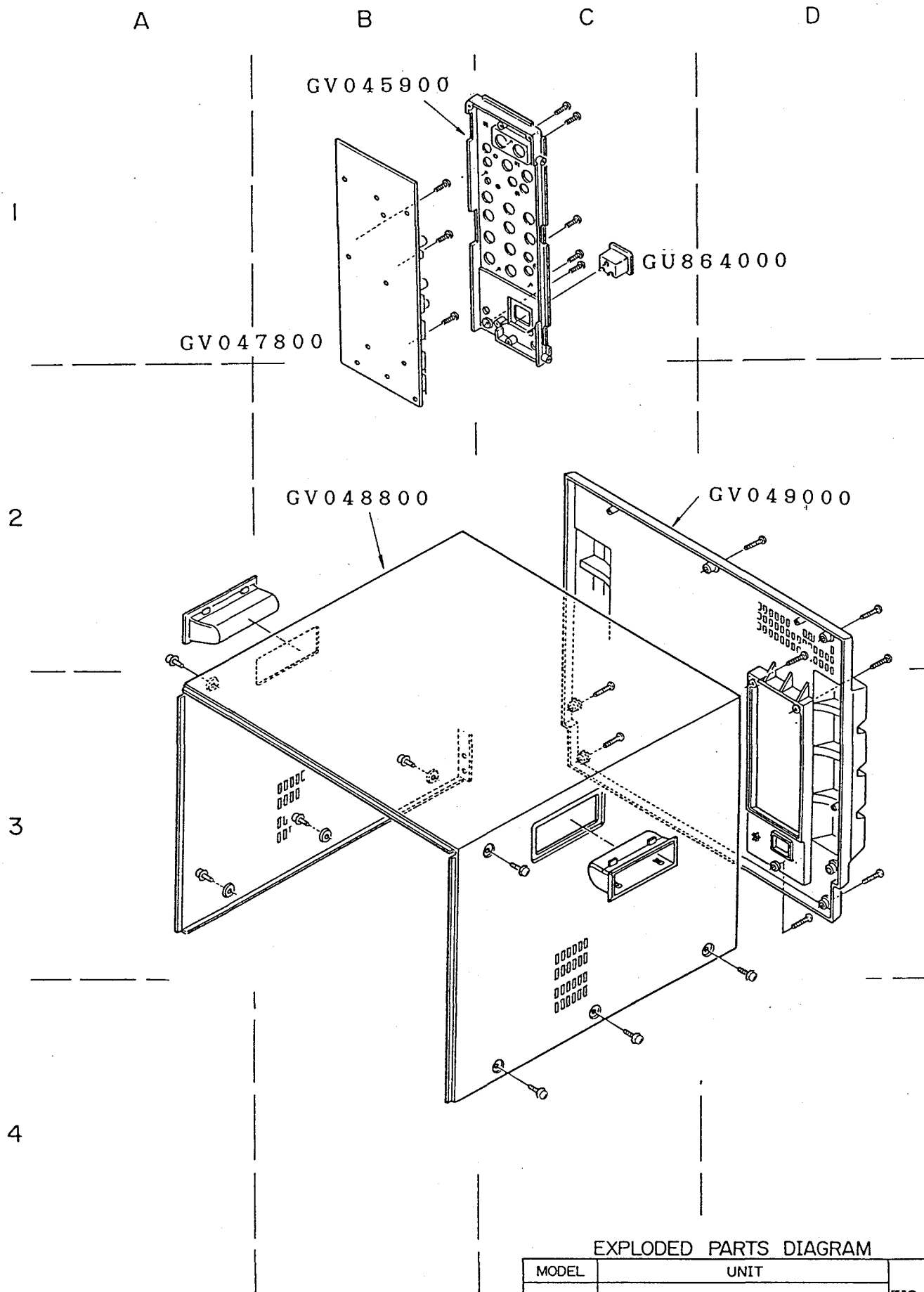
EXPLODED PARTS DIAGRAM

MODEL	UNIT	FIG. 2/5
OEY201U		
OLYMPUS OPTICAL CO., LTD. TOKYO, JAPAN		



EXPLODED PARTS DIAGRAM

MODEL	UNIT	
0EV201U		FIG.3/5
OLYMPUS OPTICAL CO., LTD. TOKYO, JAPAN		



EXPLODED PARTS DIAGRAM

MODEL	UNIT	FIG. 4/5
0EV201U		
OLYMPUS OPTICAL CO., LTD. TOKYO, JAPAN		

A

B

C

D

1

2

3

4

GV046500

GV046700

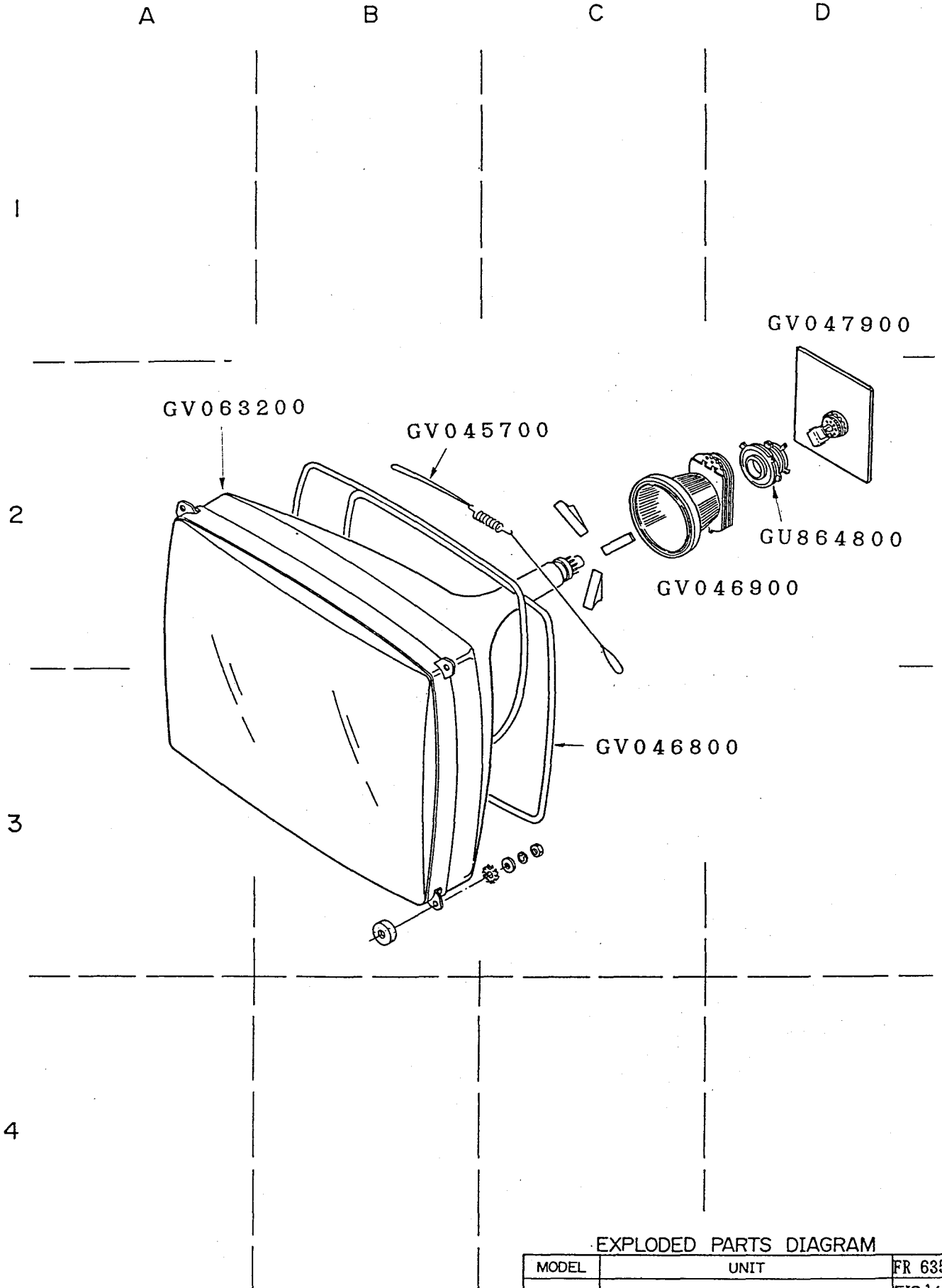
GV046600

GV046100

GV045500

EXPLODED PARTS DIAGRAM

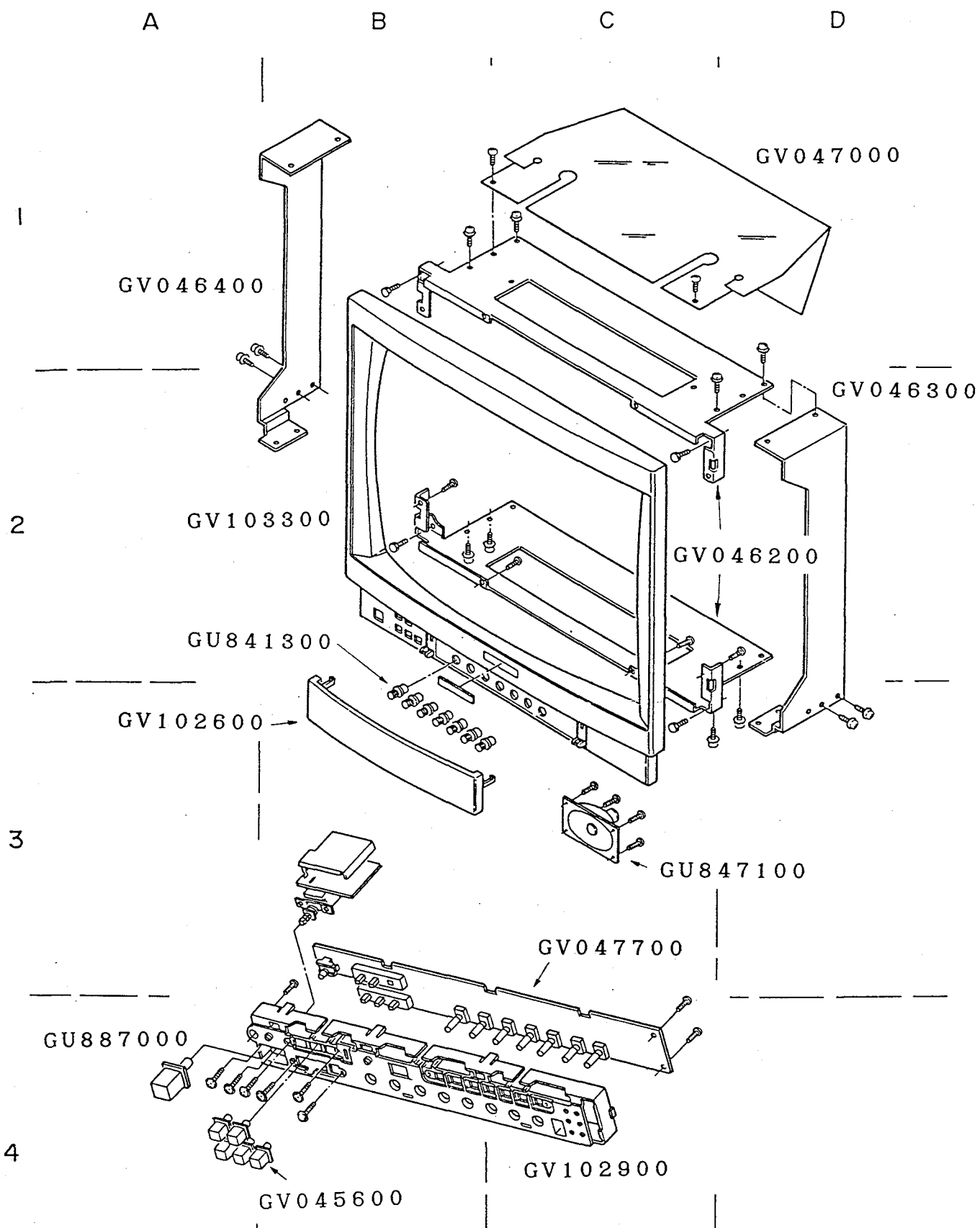
MODEL	UNIT	FIG. 5/5
0EV201U		
OLYMPUS OPTICAL CO., LTD. TOKYO, JAPAN		



EXPLODED PARTS DIAGRAM

MODEL	UNIT	FR 635
0EV201E	CRT	FIG. 1/5
OLYMPUS OPTICAL CO., LTD. TOKYO, JAPAN		

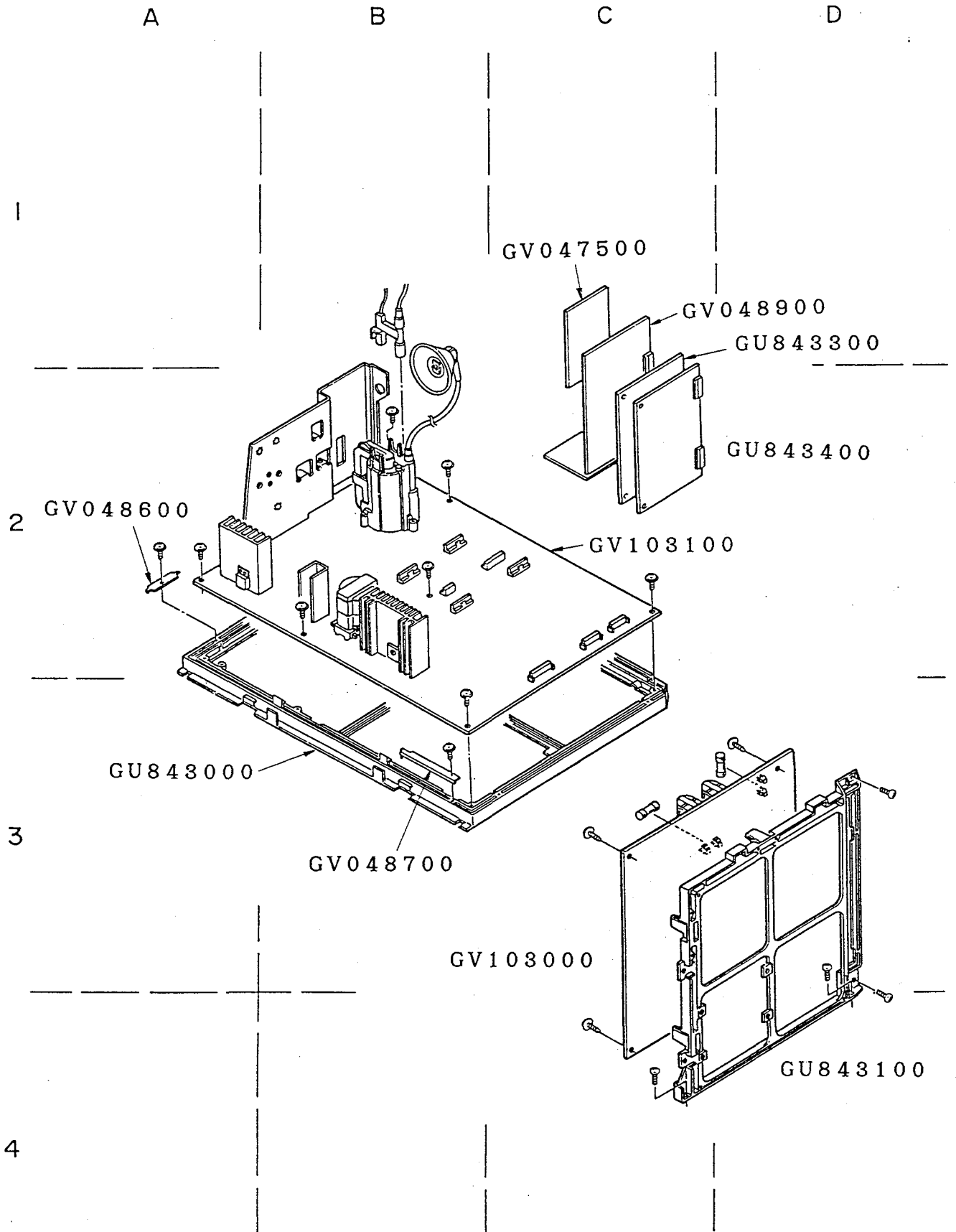
2.94



EXPLODED PARTS DIAGRAM

MODEL	UNIT	FR 635
OEV201E	FRONT	FIG 2/5
OLYMPUS OPTICAL CO., LTD. TOKYO, JAPAN		

2.94



EXPLODED PARTS DIAGRAM

MODEL	UNIT	FR 635
0EV201E	PRINT ASSY	FIG 3/5
OLYMPUS OPTICAL CO., LTD. TOKYO, JAPAN		

2.94

A

B

C

D

1

2

3

4

GV045900

GV047800

GU864000

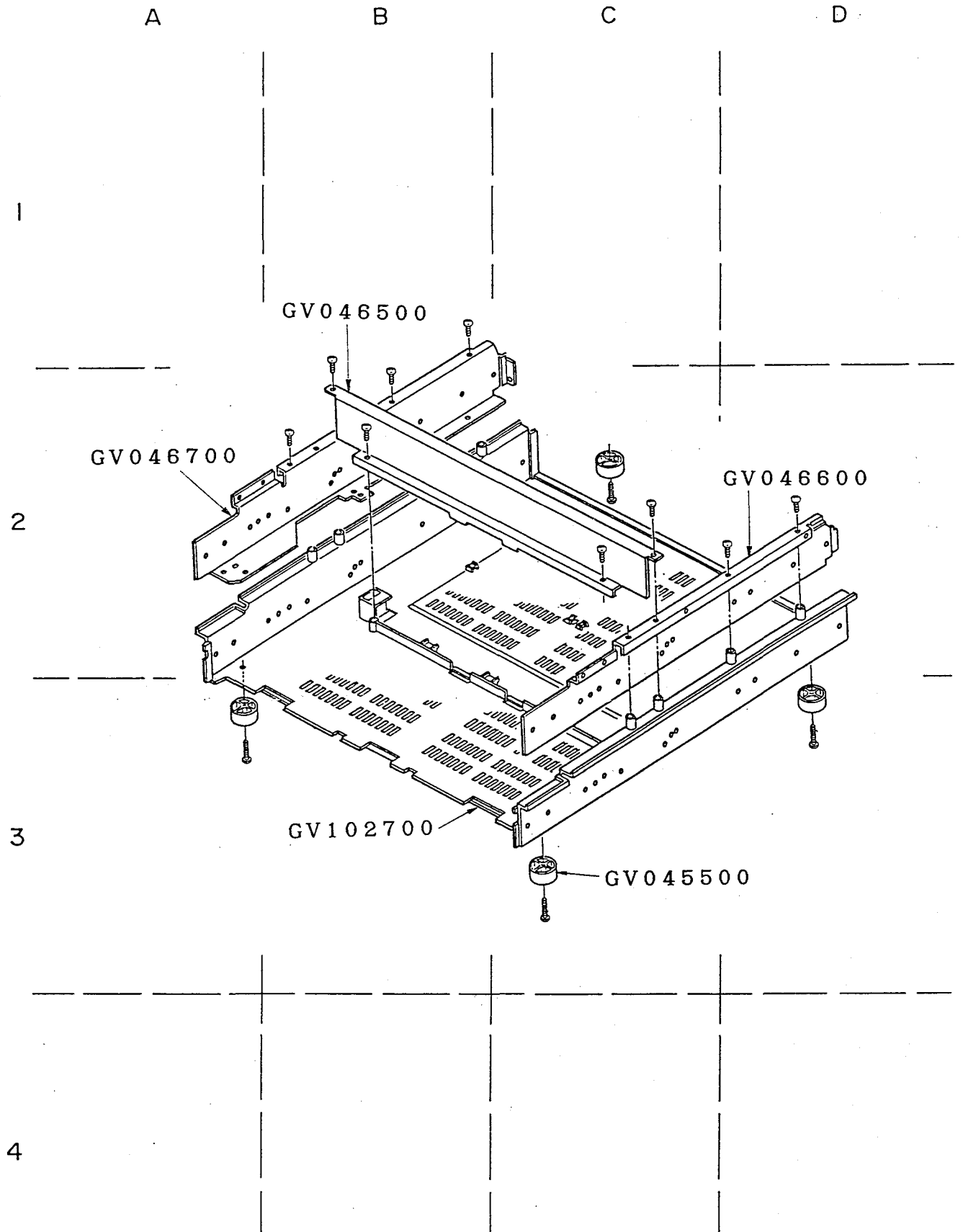
GV103400

GV103500

EXPLODED PARTS DIAGRAM

MODEL	UNIT	FR 635
OEV201E	REAR PANEL	FIG. 4/5
OLYMPUS OPTICAL CO., LTD. TOKYO, JAPAN		

2.94



EXPLODED PARTS DIAGRAM

MODEL	UNIT	FR 635
OEV201E	BOTTOM PLATE	FIG 5/5
OLYMPUS OPTICAL CO., LTD. TOKYO, JAPAN		

2.94

6. PART LIST

OEV201U

PARTS No.	CR No.	PARTS NAME E.	INDEX SPECIFICATION	ABC ?!
GU841300	0	KNOB	TBX8750102	A
GU841500	0	PUSH BUTON	TBX8780501	A
GU841900	0	PROTECTOR	TKK139625	A
GU842000	0	HANDLE	TKK69279-4	A
GU842800	0	POWER SW BARRIER	TMK33532	A
GU843000	0	CHASSIS FRAME	TMX13101-2	A
GU843100	0	B PRINT FRAME	TMX13102	A
GU843300	0	F PRINT ASSY	TNP110144CZ	A <2>
GU844200	0	EARTH LABEL	TQF81735	A
GU844300	0	POWER CORD	TSX1441	A
GU844800	0	D.Y USE WEDGE	TMM17514	A
GU844900	0	PERMALLOY	TXFMK01H55	A
GU847100	0	SPEAKER	EAS7D09A	A
GU864800	0	CONVERGENCE	TLC2061	A
GU886200	0	FERRITE CORE	KR06TT261329	A
GU886300	0	FERRITE CORE	KR06TT281815	A
GV045400	0	CATHODERAY TUBE	M48JBY02X/C	A
GV045500	0	SET LEG	TBL131303	A
GV045600	0	PUSH BUTTON	TBX1484600	A
GV045700	0	CRT SPRING	TES1208	A
GV045800	0	BACK COVER SHEET	TKK139647	A
GV045900	0	TERMINAL PANEL	TKP1314201-2	A
GV046100	0	BOTTOM PLATE	TKX139801	A
GV046200	0	CRT MOUNT U/D	TKZ138234	A
GV046300	0	CRT MOUNT R	TKZ138235	A
GV046400	0	CRT MOUNT L	TKZ138236	A
GV046500	0	METAL MOUNT BOTTOM	TKZ138880	A
GV046600	0	METAL MOUNT BOTTOM R	TKZ148951	A
GV046700	0	METAL MOUNT BOTTOM L	TKZ148952	A
GV046800	0	DE MAGNETIZING COIL	TLK139025A	A
GV046900	0	DEFLECTION YOKE	TLY26384	A
GV047000	0	CRT BARRIER	TMK87523	A
GV047100	0	CRT CUSHION	TMM407-4	A
GV047200	0	FRONT BRACKET	TMW13111	A
GV047400	0	G PRINT ASSY	TNP110284CZ	A
GV047500	0	E PRINT ASSY	TNP110314DZ	A
GV047600	0	B PRINT ASSY	TNP110710BZ	A
GV047700	0	C PRINT ASSY	TNP111208	A
GV047800	0	W PRINT ASSY	TNP111209	A
GV047900	0	L PRINT ASSY	TNP111210ZA	A
GV048000	0	P PRINT ASSY	TNP111228ZA	A
GV048100	0	A PRINT ASSY	TNP190189	A
GV048200	0	POWER CORD LABEL	TQF34752	A
GV048300	0	LABEL	TQF54270	A
GV048400	0	FERRITE CORE	TSK1018	A
GV048500	0	FRONT FRAME	TTE130001-1	A <4>
GV048600	0	PCB SIDE HOLDER	TUX14552	A
GV048700	0	PCB FRONT HOLDER	TUX14553	A
GV048800	0	CABINET	TXAKC1MES2	A
GV048900	0	D PRINT ASSY	TXANP1DMES2	A
GV049000	0	REAR PANEL	TXFKU01MES2	A
GV049100	0	DOOR PLASTIC BAG	XZB10X28C03	A
GV061200	0	FUSE HOLDER	TJC6319	A
GV102600	0	DOOR	TKP13A1601-1	A <2>
GV049200	T551	FLYBACK TRANS.	TLF15572F	A
GV058500	T801	TRANS.	ETS49AC1E6ND	A
GU862100	0	CRT SOCKET	TJS1A5050	B
GU864000	0	AC INLET	TJS5A9990	B
GU861800	A11	10P CONNECTOR	TJS118670	B
GV049300	A12	9P CONNECTOR	TJS118660	B
GU864100	A14	10P CONNECTOR	TJS6A8160	B
GU864400	A15	9P CONNECTOR	TJS6A8570	B
GU864300	A16	4P CONNECTOR	TJS6A8560	B

OEV201U

PARTS No.	CR No.	PARTS NAME E.	INDEX SPECIFICATION	ABC ?!
GU861400	A17	3P CONNECTOR	TJS118600	B
GU861500	A18	4P CONNECTOR	TJS118610	B
GU861500	A22	4P CONNECTOR	TJS118610	B
GU863900	A23	6P CONNECTOR	TJS5A9490	B
GU864100	A24	10P CONNECTOR	TJS6A8160	B
GU864400	A26	9P CONNECTOR	TJS6A8570	B
GU864100	A27	10P CONNECTOR	TJS6A8160	B
GU864100	A29	10P CONNECTOR	TJS6A8160	B
GU861400	A31	3P CONNECTOR	TJS118600	B
GU864300	A33	4P CONNECTOR	TJS6A8560	B
GU861300	A35	2P CONNECTOR	TJS118590	B
GU861300	A36	2P CONNECTOR	TJS118590	B
GU861400	A42	3P CONNECTOR	TJS118600	B
GU862900	A5	6P CONNECTOR	TJS1A9790	B
GU861300	A51	2P CONNECTOR	TJS118590	B
GU862900	A6	6P CONNECTOR	TJS1A9790	B
GU863000	A7	10P CONNECTOR	TJS1A9830	B
GU862800	B1	5P CONNECTOR	TJS1A9780	B
GU861300	B10	2P CONNECTOR	TJS118590	B
GU861400	B14	3P CONNECTOR	TJS118600	B
GU861300	B15	2P CONNECTOR	TJS118590	B
GU862900	B2	6P CONNECTOR	TJS1A9790	B
GU861600	B20	5P CONNECTOR	TJS118620	B
GU862800	B3	5P CONNECTOR	TJS1A9780	B
GU862900	B4	6P CONNECTOR	TJS1A9790	B
GU863200	B5	6P CONNECTOR	TJS2A8350	B
GU863200	B6	6P CONNECTOR	TJS2A8350	B
GU863300	B7	10P CONNECTOR	TJS2A8390	B
GU861600	B8	5P CONNECTOR	TJS118620	B
GU861700	B9	8P CONNECTOR	TJS118650	B
GU861300	C1	2P CONNECTOR	TJS118590	B
GU861400	C10	3P CONNECTOR	TJS118600	B
GU861800	C11	10P CONNECTOR	TJS118670	B
GV049300	C12	9P CONNECTOR	TJS118660	B
GU850300	C1308	TRIMMER CAPACITOR	ECRHA090N41	B
GU849800	C1344	POLYESTER CAPACITOR	ECQB1H102JF	B
GU861500	C20	4P CONNECTOR	TJS118610	B
GU861400	C21	3P CONNECTOR	TJS118600	B
GU857300	C3324	CR COMBINATION	EXFP4472ZW	B
GU847600	C360	ELECTROLYTIC CAPACITOR	ECEA2EG4R7S	B
GU848400	C363	CERAMIC CAPACITOR	ECKD3D102KBN	B
GV049400	C456	ELECTROLYTIC CAPACITOR	ECEA1EU222	B
GU882400	C458	CERAMIC CAPACITOR	ECKD2H182KB2	B
GV049500	C461	ELECTROLYTIC CAPACITOR	ECEA1VGE471	B
GV049600	C462	ELECTROLYTIC CAPACITOR	ECEA1VU102	B
GV049700	C464	ELECTROLYTIC CAPACITOR	ECEA1VU470	B
GV049700	C515	ELECTROLYTIC CAPACITOR	ECEA1VU470	B
GV050700	C522	POLYESTER CAPACITOR	ECQV1H333JZ	B
GU849800	C5318	POLYESTER CAPACITOR	ECQB1H102JF	B
GU849800	C5320	POLYESTER CAPACITOR	ECQB1H102JF	B
GU849800	C550	POLYESTER CAPACITOR	ECQB1H102JF	B
GV049800	C551	CERAMIC CAPACITOR	ECKD3A821KBP	B
GU848500	C553	CERAMIC CAPACITOR	ECKD3D152JBN	B
GV049900	C554	POLYESTER CAPACITOR	ECQV1H563JZ	B
GU848000	C555	CERAMIC CAPACITOR	ECKDZH222KB2	B
GV050000	C557	POLYPROPYLENE CAPACITOR	ECWF2H155JNB	B
GU850500	C558	POLYPROPYLENE CAPACITOR	ECWH12H682JS	B
GV050100	C559	CERAMIC CAPACITOR	ECKD3D182JBN	B
GU850100	C560	POLYESTER CAPACITOR	ECQM4562JZ	B
GU850000	C561	POLYESTER CAPACITOR	ECQM4472JZ	B
GV050100	C562	CERAMIC CAPACITOR	ECKD3D182JBN	B
GU847400	C569	ELECTROLYTIC CAPACITOR	ECEA2CN3R3E	B
GU882200	C571	CERAMIC CAPACITOR	ECKD2H102KB2	B

OEV201U

PARTS No.	CR No.	PARTS NAME E.	INDEX SPECIFICATION	ABC ?!
GU847700	C572	ELECTROLYTIC CAPACITOR	ECEA2EGE100	B
GU882300	C573	CERAMIC CAPACITOR	ECKD2H103ZU	B
GU847800	C574	ELECTROLYTIC CAPACITOR	ECEAZE330	B
GV049700	C5755	ELECTROLYTIC CAPACITOR	ECEA1VU470	B
GV050300	C576	ELECTROLYTIC CAPACITOR	ECEA2CGR47	B
GU860800	C634	TRIMMER CAPACITOR	TCRHA030E11	B
GU860800	C637	TRIMMER CAPACITOR	TCRHA030E11	B
GU857200	C656	CR COMBINATION	EXFP4103ZW	B
GU847200	C668	CERAMIC CAPACITOR	ECCF1H100DC	B
GU882800	C802	CERAMIC CAPACITOR	ECKD2H472PU7	B
GU882800	C804	CERAMIC CAPACITOR	ECKD2H472PU7	B
GU882800	C805	CERAMIC CAPACITOR	ECKD2H472PU7	B
GU849700	C806	ELECTROLYTIC CAPACITOR	ECOS2DG471M	B
GV050400	C807	ELECTROLYTIC CAPACITOR	ECEA1VGE220	B
GV050500	C811	POLYESTER CAPACITOR	ECQB1H222JF	B
GV050600	C814	POLYESTER CAPACITOR	ECWH12H272JS	B
GV050700	C815	POLYESTER CAPACITOR	ECQV1H333JZ	B
GV050800	C816	CERAMIC CAPACITOR	ECKD2H681KB2	B
GV050900	C817	ELECTROLYTIC CAPACITOR	ECEA1HGE470	B
GV051000	C818	ELECTROLYTIC CAPACITOR	ECOS2CA561BB	B
GU848100	C819	CERAMIC CAPACITOR	ECKD2H471KB2	B
GU882900	C822	CERAMIC CAPACITOR	ECKD3A471KBP	B
GU882600	C824	CERAMIC CAPACITOR	ECKD2H391KB2	B
GV051200	C825	ELECTROLYTIC CAPACITOR	ECEA1VGE331	B
GV051300	C826	ELECTROLYTIC CAPACITOR	ECEA1EF471	B
GU848800	C828	CERAMIC CAPACITOR	ECKDWS102MEJ	B
GU848800	C829	CERAMIC CAPACITOR	ECKDWS102MEJ	B
GU882900	C835	CERAMIC CAPACITOR	ECKD3A471KBP	B
GV051400	C852	CERAMIC CAPACITOR	ECKF1H681KB	B
GU847300	C862	ELECTROLYTIC CAPACITOR	ECEA160V33Z	B
GV051500	C870	ELECTROLYTIC CAPACITOR	ECEA1VU471	B
GU849700	C875	ELECTROLYTIC CAPACITOR	ECOS2DG471M	B
GU850200	C894	POLYESTER CAPACITOR	ECQU2A473MN	B
GU850200	C897	POLYESTER CAPACITOR	ECQU2A473MN	B
GU861700	C9	8P CONNECTOR	TJS118650	B
GV051900	D1304	DIODE	MA165	B
GV051900	D1305	DIODE	MA165	B
GU858100	D1314	DIODE	MA29WB	B
GV051900	D1315	DIODE	MA165	B
GV051900	D1320	DIODE	MA165	B
GV051900	D1321	DIODE	MA165	B
GV051900	D1322	DIODE	MA165	B
GV051900	D1323	DIODE	MA165	B
GV051900	D1326	DIODE	MA165	B
GV052800	D14	10P CONNECTOR	TJS6A8170	B
GU863400	D15	9P CONNECTOR	TJS5A8150	B
GV051900	D1601	DIODE	MA165	B
GV051900	D1603	DIODE	MA165	B
GV051900	D1604	DIODE	MA165	B
GU858800	D1605	DIODE	MA4062M	B
GV051900	D1606	DIODE	MA165	B
GV051900	D1607	DIODE	MA165	B
GU863500	D2	4P CONNECTOR	TJS5A8170	B
GU862600	D3	8P CONNECTOR	TJS1A8140	B
GU859200	D3303	DIODE	MA4091L	B
GU859200	D3304	DIODE	MA4091L	B
GV051900	D3305	DIODE	MA165	B
GV051900	D3306	DIODE	MA165	B
GU859100	D3308	DIODE	MA4091H	B
GU859100	D3309	DIODE	MA4091H	B
GU859100	D3310	DIODE	MA4091H	B
GV051900	D3311	DIODE	MA165	B
GV051900	D3312	DIODE	MA165	B

OEV201U

PARTS No.	CR No.	PARTS NAME E.	INDEX SPECIFICATION	ABC ?!
GV051900	D3313	DIODE	MA165	B
GV051900	D3314	DIODE	MA165	B
GU859200	D3319	DIODE	MA4091L	B
GV051900	D3323	DIODE	MA165	B
GU858800	D3324	DIODE	MA4062M	B
GU858800	D3325	DIODE	MA4062M	B
GU858800	D3326	DIODE	MA4062M	B
GV051900	D3327	DIODE	MA165	B
GV051900	D3338	DIODE	MA165	B
GV051900	D3339	DIODE	MA165	B
GU858700	D3341	DIODE	MA4056M	B
GV051900	D3342	DIODE	MA165	B
GV051900	D3343	DIODE	MA165	B
GV051900	D3345	DIODE	MA165	B
GV051900	D3346	DIODE	MA165	B
GV051900	D3347	DIODE	MA165	B
GV051900	D3350	DIODE	MA165	B
GV051900	D3352	DIODE	MA165	B
GU859000	D3353	DIODE	MA4082H	B
GV051700	D3360	DIODE	AM01Z	B
GV051700	D3361	DIODE	AM01Z	B
GU859400	D3362	DIODE	MA4130H	B
GV051900	D3369	DIODE	MA165	B
GV051900	D3370	DIODE	MA165	B
GV051900	D3372	DIODE	MA165	B
GV051900	D3373	DIODE	MA165	B
GV051800	D3374	DIODE	MA150	B
GV051900	D3375	DIODE	MA165	B
GV052000	D351	DIODE	MA167	B
GV052000	D352	DIODE	MA167	B
GV052000	D353	DIODE	MA167	B
GV052000	D354	DIODE	MA167	B
GV052000	D355	DIODE	MA167	B
GV052000	D356	DIODE	MA167	B
GV051900	D357	DIODE	MA165	B
GV051900	D358	DIODE	MA165	B
GV051900	D359	DIODE	MA165	B
GU855100	D360	DIODE	TVSEU01N	B
GU855100	D361	DIODE	TVSEU01N	B
GU855100	D362	DIODE	TVSEU01N	B
GV052000	D371	DIODE	MA167	B
GV052000	D372	DIODE	MA167	B
GV052000	D373	DIODE	MA167	B
GU859800	D374	DIODE	MA700	B
GU859800	D375	DIODE	MA700	B
GU859800	D376	DIODE	MA700	B
GU862200	D4	2P CONNECTOR	TJSLA8080	B
GU858900	D402	DIODE	MA4075H	B
GU859400	D4307	DIODE	MA4130H	B
GU859400	D4308	DIODE	MA4130H	B
GV051900	D4310	DIODE	MA165	B
GV051900	D4311	DIODE	MA165	B
GV051900	D4312	DIODE	MA165	B
GV051900	D4316	DIODE	MA165	B
GV051900	D4318	DIODE	MA165	B
GV051900	D4319	DIODE	MA165	B
GV051900	D4320	DIODE	MA165	B
GV051900	D4321	DIODE	MA165	B
GV051900	D4322	DIODE	MA165	B
GV051900	D4324	DIODE	MA165	B
GU851700	D451	DIODE	ERA15-02	B
GV051900	D455	DIODE	MA165	B
GV051900	D456	DIODE	MA165	B

OEV201U

PARTS No.	CR No.	PARTS NAME E.	INDEX SPECIFICATION	ABC ?!
GU857500	D457	DIODE	MA1043M	B
GU859300	D460	DIODE	MA4120M	B
GV051900	D462	DIODE	MA165	B
GU862700	D5	10P CONNECTOR	TJS1A8160	B
GV051900	D502	DIODE	MA165	B
GU858600	D503	DIODE	MA4051M	B
GV051900	D505	DIODE	MA165	B
GV051900	D507	DIODE	MA165	B
GU857400	D5107	DIODE (LED)	LN31GPH	B
GV051900	D5204	DIODE	MA165	B
GV051900	D5205	DIODE	MA165	B
GV051900	D5210	DIODE	MA165	B
GV051900	D5211	DIODE	MA165	B
GV051900	D5212	DIODE	MA165	B
GV051900	D5304	DIODE	MA165	B
GV051900	D5306	DIODE	MA165	B
GV051900	D5307	DIODE	MA165	B
GV051900	D5309	DIODE	MA165	B
GU859500	D531	DIODE	MA4150M	B
GV051900	D5330	DIODE	MA165	B
GV051900	D5331	DIODE	MA165	B
GV051900	D5332	DIODE	MA165	B
GV051900	D5333	DIODE	MA165	B
GV051900	D5334	DIODE	MA165	B
GV051900	D5336	DIODE	MA165	B
GV051900	D5337	DIODE	MA165	B
GV051900	D5350	DIODE	MA165	B
GV051900	D5351	DIODE	MA165	B
GV051900	D5352	DIODE	MA165	B
GV051900	D5353	DIODE	MA165	B
GV051900	D5354	DIODE	MA165	B
GV051900	D5355	DIODE	MA165	B
GV051900	D5356	DIODE	MA165	B
GV051900	D5357	DIODE	MA165	B
GV051900	D5358	DIODE	MA165	B
GV051900	D5359	DIODE	MA165	B
GV051900	D5360	DIODE	MA165	B
GV051900	D5361	DIODE	MA165	B
GU859800	D5401	DIODE	MA700	B
GU859800	D5402	DIODE	MA700	B
GU860100	D5403	DIODE	OA90AM	B
GU858200	D5404	DIODE	MA4030M	B
GU858400	D5405	DIODE	MA4047H	B
GU868400	D551	DIODE	TVSEU2	B
GU852000	D552	DIODE	ERDO7-15	B
GU868700	D553	DIODE	TVSRU2AM	B
GU868400	D554	DIODE	TVSEU2	B
GV051900	D5562	DIODE	MA165	B
GU851800	D558	DIODE	ERA22-04	B
GU859700	D559	DIODE	MMA4360L	B
GV052000	D562	DIODE	MA167	B
GV052100	D563	DIODE	MA29T-B	B
GV052100	D564	DIODE	MA29T-B	B
GV052000	D565	DIODE	MA167	B
GU858500	D607	DIODE	MA4047M	B
GU847000	D608	DIODE	DAN401	B
GV051900	D609	DIODE	MA165	B
GV051900	D610	DIODE	MA165	B
GV051900	D615	DIODE	MA165	B
GV051900	D616	DIODE	MA165	B
GU859400	D617	DIODE	MA4130H	B
GU862200	D7	2P CONNECTOR	TJS1A8080	B
GVO52100	D753	DIODE	MA29T-B	B

OEV201U

PARTS No	CR No.	PARTS NAME E.	INDEX SPECIFICATION	ABC	?!</th>
GV052100	D754	DIODE	MA29T-B	B	
GU860200	D801	DIODE	RBV-608	B	
GV052200	D806	DIODE	MA723	B	
GV052300	D808	DIODE	AU02Z	B	
GV052400	D810	POSISTOR	TRPW5BOM030D	B	
GV052500	D811	DIODE	ERD31-04	B	
GU860300	D812	DIODE	RL4Z	B	
GU868200	D815	DIODE	AG01	B	
GU868800	D816	DIODE	TVSSR2KN	B	
GU868400	D817	DIODE	TVSEU2	B	
GU846700	D828	DIODE	AS01	B	
GU858000	D840	DIODE	MA29T-A	B	
GU858300	D842	DIODE	MA4036M	B	
GU859600	D843	DIODE	MA4330H	B	
GU868800	D850	DIODE	TVSSR2KN	B	
GV052600	D851	DIODE	TVSQB112	B	
GU859600	D871	DIODE	MA4330H	B	
GV051900	D872	DIODE	MA165	B	
GU850700	DL601	DELAY LINE	EFDEN645A61F	B	
GU862500	E20	5P CONNECTOR	TJS18110	B	
GV052700	E23	6P CONNECTOR	TJS5A9500	B	
GV052800	E24	10P CONNECTOR	TJS6A8170	B	
GU862400	F1	4P CONNECTOR	TJS1A8100	B	
GU862300	F21	3P CONNECTOR	TJS1A8090	B	
GU862400	F22	4P CONNECTOR	TJS1A8100	B	
GV052800	F29	10P CONNECTOR	TJS6A8170	B	
GV052900	F33	4P CONNECTOR	TJS6A8710	B	
GV053000	F801	FUSE	XBALF40NU100	B	
GU862400	G1	4P CONNECTOR	TJS1A8100	B	
GV053100	G26	9P CONNECTOR	TJS6A8720	B	
GV052800	G27	10P CONNECTOR	TJS6A8170	B	
GU868900	IC1302	INTEGRATED CIRCUIT	TC4066BP	B	<3>
GU846200	IC1602	INTEGRATED CIRCUIT	AN5860	B	
GU846300	IC1603	INTEGRATED CIRCUIT	AN608P	B	
GU845900	IC201	INTEGRATED CIRCUIT	AN5265	B	<1>
GU846900	IC3301	INTEGRATED CIRCUIT	CXA1024S	B	
GU859900	IC3302	INTEGRATED CIRCUIT	TC4053B	B	
GU846500	IC3304	INTEGRATED CIRCUIT	AN78M09	B	
GU846000	IC401	INTEGRATED CIRCUIT	AN5521	B	
GU860900	IC501	INTEGRATED CIRCUIT	TDA2579A	B	
GU860700	IC5303	INTEGRATED CIRCUIT	TC4052BP	B	
GU845800	IC5310	INTEGRATED CIRCUIT	AN4558	B	
GU860500	IC5405	INTEGRATED CIRCUIT	SN74LS86AN	B	
GU866800	IC551	CIRCUIT BOARD (HIC)	TNH11303	B	
GU868900	IC602	INTEGRATED CIRCUIT	TC4066BP	B	<3>
GU861000	IC603	INTEGRATED CIRCUIT	TDA4555	B	
GU846400	IC605	INTEGRATED CIRCUIT	AN6912	B	
GU846100	IC606	INTEGRATED CIRCUIT	AN5613	B	
GU846600	IC751	INTEGRATED CIRCUIT	AN78M20	B	
GV053200	IC801	INTEGRATED CIRCUIT	STR-S6307	B	
GU869000	IC802	INTEGRATED CIRCUIT	UPC2412HF	B	
GV053300	IC804	INTEGRATED CIRCUIT	S1854LBM-6	B	
GU865700	IC806	INTEGRATED CIRCUIT	TLP634GR	B	
GU864200	JK4201	2P PHONE CONNECTOR	TJS6A8420	B	
GU864200	JK4204	2P PHONE CONNECTOR	TJS6A8420	B	
GU862000	JK4301	BNC CONNECTOR	TJS1A4330	B	
GU862000	JK4302	BNC CONNECTOR	TJS1A4330	B	
GU862000	JK4303	BNC CONNECTOR	TJS1A4330	B	
GU862000	JK4304	BNC CONNECTOR	TJS1A4330	B	
GU862000	JK4305	BNC CONNECTOR	TJS1A4330	B	
GU862000	JK4306	BNC CONNECTOR	TJS1A4330	B	
GU862000	JK4307	BNC CONNECTOR	TJS1A4330	B	
GU862000	JK4308	BNC CONNECTOR	TJS1A4330	B	

OEV201U

PARTS No.	CR No.	PARTS NAME E.	INDEX SPECIFICATION	ABC ?!
GU862000	JK4309	BNC CONNECTOR	TJS1A4330	B
GU862000	JK4310	BNC CONNECTOR	TJS1A4330	B
GU862000	JK4311	BNC CONNECTOR	TJS1A4330	B
GU862000	JK4312	BNC CONNECTOR	TJS1A4330	B
GU864600	JK4313	2P PHONE CONNECTOR	TJS6A9320	B
GU864700	JK4315	4P. DIN CONNECTOR	TJS8A9040	B
GU864700	JK4316	4P. DIN CONNECTOR	TJS8A9040	B
GU861700	L1	8P CONNECTOR	TJS118650	B
GU851500	L1301	COIL	ELT10Z327	B
GU866700	L1308	PEAKING COIL	TLT560K991K	B
GU866000	L1309	PEAKING COIL	TLT150K991K	B
GU851600	L1310	COIL	ELT10Z397	B
GU866300	L1602	PEAKING COIL	TLT330K991K	B
GU866100	L1603	PEAKING COIL	TLT220K991K	B
GU866600	L1604	PEAKING COIL	TLT542K991K	B
GU861500	L18	4P CONNECTOR	TJS118610	B
GU866700	L351	PEAKING COIL	TLT560K991K	B
GU866500	L352	PEAKING COIL	TLT470K991K	B
GU866500	L353	PEAKING COIL	TLT470K991K	B
GU866400	L354	PEAKING COIL	TLT390K991K	B
GU866400	L355	PEAKING COIL	TLT390K991K	B
GU866400	L356	PEAKING COIL	TLT390K991K	B
GU867100	L501	FERRITE CORE	TSC925-4	B
GU865000	L551	COIL	TLH15907	B
GU851400	L552	COIL	ELH5L783	B
GU864900	L553	CHOKE COIL	TLH13711	B
GU867700	L554	FERRITE CORE	TSK1002-1	B
GU867700	L555	FERRITE CORE	TSK1002-1	B
GU865600	L560	CHOKE COIL	TLP408	B
GU851200	L561	COIL	ELC08D055	B
GU865400	L601	DEGAUSS COIL	TLK61008-1	B
GU867100	L602	FERRITE CORE	TSC925-4	B
GU866400	L603	PEAKING COIL	TLT390K991K	B
GU865800	L604	PEAKING COIL	TLT056K991K	B
GU866000	L605	PEAKING COIL	TLT150K991K	B
GU866200	L606	PEAKING COIL	TLT270K991K	B
GU851100	L608	COIL	EIS7ES007B	B
GU865800	L611	PEAKING COIL	TLT056K991K	B
GU850900	L615	COIL	EIK7EG012B	B
GU865300	L616	DEGAUSS COIL	TLK158066	B
GU851000	L617	COIL	EIK7EG013B	B
GU851000	L618	COIL	EIK7EG013B	B
GU865900	L619	PEAKING COIL	TLT100K991K	B
GU867100	L701	FERRITE CORE	TSC925-4	B
GU851300	L801	LINE FILTER	ELF18D650K	B
GU851300	L802	LINE FILTER	ELF18D650K	B
GV053400	L805	COIL	EXCELSA35	B
GU867700	L807	FERRITE CORE	TSK1002-1	B
GU867700	L808	FERRITE CORE	TSK1002-1	B
GU884100	L812	COIL	ELC10B011	B
GU867700	L815	FERRITE CORE	TSK1002-1	B
GU884100	L819	COIL	ELC10B011	B
GV053500	L820	COIL	TSC928-4	B
GV053500	L821	COIL	TSC928-4	B
GU867100	L830	FERRITE CORE	TSC925-4	B
GU865200	LC1303	DEGAUSS COIL	TLK156059E	B
GU850600	LC1305	CERAMIC FILTER	EFCA4R43MB3	B
GU850800	LC601	DELAY LINE	EFDMA645B85F	B
GV053700	Q1301	TRANSISTOR	2SC3311A	B
GV053700	Q1302	TRANSISTOR	2SC3311A	B
GV053700	Q1303	TRANSISTOR	2SC3311A	B
GV053700	Q1304	TRANSISTOR	2SC3311A	B
GV053700	Q1306	TRANSISTOR	2SC3311A	B

OEV201U

PARTS No.	CR No.	PARTS NAME E.	INDEX	SPECIFICATION	ABC	?!<2><1><2>
GV053700	Q1308	TRANSISTOR		2SC3311A	B	
GV053700	Q1313	TRANSISTOR		2SC3311A	B	
GV053700	Q1314	TRANSISTOR		2SC3311A	B	
GV053700	Q1318	TRANSISTOR		2SC3311A	B	
GV054000	Q1319	TRANSISTOR		2SA1309A	B	
GV053700	Q1320	TRANSISTOR		2SC3311A	B	
GV054000	Q1321	TRANSISTOR		2SA1309A	B	
GV054000	Q1322	TRANSISTOR		2SA1309A	B	
GV053700	Q1323	TRANSISTOR		2SC3311A	B	
GV054000	Q1324	TRANSISTOR		2SA1309A	B	
GV053700	Q1326	TRANSISTOR		2SC3311A	B	
GV053700	Q1328	TRANSISTOR		2SC3311A	B	
GV053700	Q1601	TRANSISTOR		2SC3311A	B	
GV053700	Q1606	TRANSISTOR		2SC3311A	B	
GV054000	Q1607	TRANSISTOR		2SA1309A	B	
GV053700	Q1608	TRANSISTOR		2SC3311A	B	
GV053700	Q1609	TRANSISTOR		2SC3311A	B	
GV053700	Q1610	TRANSISTOR		2SC3311A	B	
GV053700	Q1611	TRANSISTOR		2SC3311A	B	
GV053700	Q3301	TRANSISTOR		2SC3311A	B	
GV053700	Q3304	TRANSISTOR		2SC3311A	B	
GV053700	Q3305	TRANSISTOR		2SC3311A	B	
GV054100	Q3312	TRANSISTOR		UN4212	B	
GV054100	Q3313	TRANSISTOR		UN4212	B	
GV053700	Q3315	TRANSISTOR		2SC3311A	B	
GV054000	Q3316	TRANSISTOR		2SA1309A	B	
GV054100	Q3317	TRANSISTOR		UN4212	%	
GV053700	Q351	TRANSISTOR		2SC3311A	B	
GV053700	Q352	TRANSISTOR		2SC3311A	B	
GV053700	Q353	TRANSISTOR		2SC3311A	B	
GU845400	Q354	TRANSISTOR		2SC3942	B	
GU845400	Q355	TRANSISTOR		2SC3942	B	
GU845400	Q356	TRANSISTOR		2SC3942	B	
GU845300	Q357	TRANSISTOR		2SC3063	B	
GU845300	Q358	TRANSISTOR		2SC3063	B	
GU845300	Q359	TRANSISTOR		2SC3063	B	
GU887500	Q360	TRANSISTOR		2SB1011	B	
GU887500	Q361	TRANSISTOR		2SB1011	B	
GU887500	Q362	TRANSISTOR		2SB1011	B	
GU887500	Q363	TRANSISTOR		2SB1011	B	
GU887500	Q364	TRANSISTOR		2SB1011	B	
GU887500	Q365	TRANSISTOR		2SB1011	B	
GV053600	Q402	TRANSISTOR		UN4211	B	
GV053700	Q4301	TRANSISTOR		2SC3311A	B	
GV053700	Q4303	TRANSISTOR		2SC3311A	B	
GV053700	Q4304	TRANSISTOR		2SC3311A	B	
GV053700	Q4305	TRANSISTOR		2SC3311A	B	
GV053700	Q4306	TRANSISTOR		2SC3311A	B	
GV053700	Q4307	TRANSISTOR		2SC3311A	B	
GV054000	Q4308	TRANSISTOR		2SA1309A	B	
GV053700	Q451	TRANSISTOR		2SC3311A	B	
GV053800	Q453	TRANSISTOR		2SC1383-R	B	<2>
GV053900	Q454	TRANSISTOR		2SA683-R	B	<1><2>
GV054000	Q502	TRANSISTOR		2SA1309A	B	
GV053700	Q503	TRANSISTOR		2SC3311A	B	
GU845500	Q504	TRANSISTOR		2SD1264	B	
GU845200	Q505	TRANSISTOR		2SC2653HLB	B	
GV053700	Q5100	TRANSISTOR		2SC3311A	B	
GV053700	Q5201	TRANSISTOR		2SC3311A	B	
GV054000	Q5202	TRANSISTOR		2SA1309A	B	
GV053700	Q5203	TRANSISTOR		2SC3311A	B	
GV053700	Q5301	TRANSISTOR		2SC3311A	B	
GV053700	Q5302	TRANSISTOR		2SC3311A	B	

OEV201U

PARTS No.	CR No.	PARTS NAME E.	INDEX SPECIFICATION	ABC	?!>
GV053700	Q5303	TRANSISTOR	2SC3311A	B	
GV054000	Q5304	TRANSISTOR	2SA1309A	B	
GV053700	Q5305	TRANSISTOR	2SC3311A	B	
GV053700	Q5352	TRANSISTOR	2SC3311A	B	
GV053700	Q5353	TRANSISTOR	2SC3311A	B	
GV053700	Q5354	TRANSISTOR	2SC3311A	B	
GV054000	Q5355	TRANSISTOR	2SA1309A	B	
GV054000	Q5356	TRANSISTOR	2SA1309A	B	
GV054000	Q5357	TRANSISTOR	2SA1309A	B	
GV053700	Q5367	TRANSISTOR	2SC3311A	B	
GV054000	Q5401	TRANSISTOR	2SA1309A	B	
GV053700	Q5402	TRANSISTOR	2SC3311A	B	
GV053700	Q5403	TRANSISTOR	2SC3311A	B	
GV054000	Q5404	TRANSISTOR	2SA1309A	B	
GV053700	Q5405	TRANSISTOR	2SC3311A	B	
GV054100	Q5506	TRANSISTOR	UN4212	B	
GV054100	Q5507	TRANSISTOR	UN4212	B	
GU845700	Q552	TRANSISTOR	2SD1732LBTV	B	<1>
GV053700	Q5750	TRANSISTOR	2SC3311A	B	
GV053700	Q5751	TRANSISTOR	2SC3311A	B	
GV053700	Q5752	TRANSISTOR	2SC3311A	B	
GV053700	Q5753	TRANSISTOR	2SC3311A	B	
GV053700	Q601	TRANSISTOR	2SC3311A	B	
GV053700	Q602	TRANSISTOR	2SC3311A	B	
GV053700	Q603	TRANSISTOR	2SC3311A	B	
GV053700	Q604	TRANSISTOR	2SC3311A	B	
GV053700	Q605	TRANSISTOR	2SC3311A	B	
GV053700	Q606	TRANSISTOR	2SC3311A	B	
GV053700	Q607	TRANSISTOR	2SC3311A	B	
GV053700	Q608	TRANSISTOR	2SC3311A	B	
GV053700	Q610	TRANSISTOR	2SC3311A	B	
GV053700	Q612	TRANSISTOR	2SC3311A	B	
GV053700	Q613	TRANSISTOR	2SC3311A	B	
GV053700	Q614	TRANSISTOR	2SC3311A	B	
GV053700	Q615	TRANSISTOR	2SC3311A	B	
GV053700	Q617	TRANSISTOR	2SC3311A	B	
GV053700	Q620	TRANSISTOR	2SC3311A	B	
GV054100	Q621	TRANSISTOR	UN4212	B	
GV054100	Q622	TRANSISTOR	UN4212	B	
GV054000	Q754	TRANSISTOR	2SA1309A	B	
GV054200	Q755	TRANSISTOR	2SD1499	B	
GV054300	Q801	TRANSISTOR	2SA564A	B	
GV054400	Q806	TRANSISTOR	2SA879	B	
GV053700	Q807	TRANSISTOR	2SC3311A	B	
GU845100	Q810	TRANSISTOR	2SC2497AR	B	<1>
GV053700	Q811	TRANSISTOR	2SC3311A	B	
GV053700	Q812	TRANSISTOR	2SC3311A	B	
GV054500	R1306	METAL FILM RESISTOR	EROS2CKF5110	B	
GU856000	R1316	RESISTOR	EVND4AA00B13	B	
GV054600	R1328	FUSE RESISTOR	ERQ12HJ4R7	B	
GU857100	R1394	RR COMBINATION	EXBF5E472J	B	
GU854100	R209	FUSE RESISTOR	ERQ2CJP150S	B	
GU856600	R3317	RESISTOR	EVTTF4CA00B24	B	
GU856400	R3339	RESISTOR	EVTTF4CA00B14	B	
GU856400	R3344	RESISTOR	EVTTF4CA00B14	B	
GU856500	R3347	RESISTOR	EVTTF4CA00B15	B	
GU856400	R3349	RESISTOR	EVTTF4CA00B14	B	
GU856500	R3351	RESISTOR	EVTTF4CA00B15	B	
GU856400	R3354	RESISTOR	EVTTF4CA00B14	B	
GU856500	R3366	RESISTOR	EVTTF4CA00B15	B	
GV054700	R3378	METAL FILM RESISTOR	EROS2CKF3301	B	
GU856500	R3381	RESISTOR	EVTTF4CA00B15	B	
GU856700	R3393	RESISTOR	EVTTF4CA00B53	B	

OEV201U

PARTS No.	CR No.	PARTS NAME E.	INDEX	SPECIFICATION	ABC ?!
GU854000	R3397	FUSE RESISTOR	ERQ1CJP1R0S		B
GV054800	R3407	CARBON RESISTOR	ERDS1FJ100		B
GV054900	R3421	METAL FILM RESISTOR	EROS2CKF4700		B
GV054900	R3422	METAL FILM RESISTOR	EROS2CKF4700		B
GV054900	R3423	METAL FILM RESISTOR	EROS2CKF4700		B
GU853000	R372	METAL FILM RESISTOR	ERG3SJ822H		B
GU853000	R373	METAL FILM RESISTOR	ERG3SJ822H		B
GU853000	R374	METAL FILM RESISTOR	ERG3SJ822H		B
GV055000	R375	CARBON RESISTOR	ERDS1FJ680		B
GV055000	R376	CARBON RESISTOR	ERDS1FJ680		B
GV055000	R377	CARBON RESISTOR	ERDS1FJ680		B
GV055000	R378	CARBON RESISTOR	ERDS1FJ680		B
GV055000	R379	CARBON RESISTOR	ERDS1FJ680		B
GV055000	R380	CARBON RESISTOR	ERDS1FJ680		B
GU853200	R381	FUSE RESISTOR	ERQ12AJ331P		B
GU853200	R382	FUSE RESISTOR	ERQ12AJ331P		B
GU853200	R383	FUSE RESISTOR	ERQ12AJ331P		B
GV055100	R384	CARBON RESISTOR	ERDS1FJ101		B
GV055100	R385	CARBON RESISTOR	ERDS1FJ101		B
GV055100	R386	CARBON RESISTOR	ERDS1FJ101		B
GV055200	R387	CARBON RESISTOR	ERDS1FJ102		B
GV055200	R388	CARBON RESISTOR	ERDS1FJ102		B
GV055200	R389	CARBON RESISTOR	ERDS1J102		B
GU855800	R402	RESISTOR	EVND1A00B25		B
GU855400	R4355	RESISTOR	EVN38CA00B12		B
GU855400	R4363	RESISTOR	EVN38CA00B12		B
GV055300	R462	CARBON RESISTOR	EROS2CKF3R00		B
GV055400	R466	METAL FILM RESISTOR	ERG2SJ101H		B
GU856100	R468	RESISTOR	EVND4AA00B14		B
GV055300	R470	CARBON RESISTOR	EROS2CKF300		B
GU855900	R508	RESISTOR	EVND1AA00B54		B
GU855500	R510	RESISTOR	EVND1AA00B14		B
GU855300	R5107	RESISTOR	EVJ06AF25B14		B
GU855200	R5111	RESISTOR	EVJ02WF25B14		B
GU855300	R5115	RESISTOR	EVJ06AF25B14		B
GU855300	R5119	RESISTOR	EVJ06AF25B14		B
GV055500	R512	METAL FILM RESISTOR	EROS2CKF1502		B
GU855300	R5123	RESISTOR	EVJ06AF25B14		B
GU855200	R5127	RESISTOR	EVJ02WF25B14		B
GU855200	R5135	RESISTOR	EVJ02WF25B14		B
GV055600	R515	METAL FILM RESISTOR	EROS2CKF8200		B
GV055700	R521	CARBON RESISTOR	ERDSFJ330		B
GV058600	R529	METAL FILM RESISTOR	EROS2CKF3901		B
GV055800	R5381	METAL FILM RESISTOR	EROS2CKF1802		B
GV055900	R5382	METAL FILM RESISTOR	EROS2CKF3902		B
GV058800	R5383	METAL FILM RESISTOR	EROS2CKF1202		B
GV056000	R5385	METAL FILM RESISTOR	EROS2CKF1002		B
GV056100	R5386	METAL FILM RESISTOR	EROS2CKF5602		B
GU853900	R540	FUSE RESISTOR	ERQ14AJ8R2P		B
GV056200	R5404	CARBON RESISTOR	ERDS1FJ331		B
GV058700	R542	METAL FILM RESISTOR	ERQ25CKF1502		B
GV056200	R5458	CARBON RESISTOR	ERDS1FJ331		B
GV056300	R553	FUSE RESISTOR	ERQ3CJ272		B
GU853100	R554	METAL FILM RESISTOR	ERG5ZJ562		B
GU855900	R563	RESISTOR	EVND1AA00B54		B
GU852600	R575	METAL FILM RESISTOR	ERGLSJ471P		B
GU855700	R5764	RESISTOR	EVND1AA00B24		B
GV056400	R577	FUSE RESISTOR	ERQ2CJP1R2S		B
GU852500	R578	METAL FILM RESISTOR	ERGLANJ102		B
GV058600	R585	METAL FILM RESISTOR	EROS2CKF3901		B
GU853700	R587	FUSE RESISTOR	ERQ14AJ101P		B
GU853400	R600	FUSE RESISTOR	ERQ12HJ3R3		B
GU856200	R604	RESISTOR	EVND4AA00B52		B

OEV201U

PARTS No.	CR No.	PARTS NAME E.	INDEX SPECIFICATION	ABC ?!
GU851900	R627	SOLID RESISTOR	ERC14GK106	B
GU856000	R663	RESISTOR	EVND4AA00B13	B
GV056500	R664	METAL FILM RESISTOR	EROS2CKF7500	B
GV056600	R665	METAL FILM RESISTOR	EROS2CKF9100	B
GV056700	R666	METAL FILM RESISTOR	EROS2CKF1501	B
GV056600	R667	METAL FILM RESISTOR	EROS2CKF9100	B
GU855500	R670	RESISTOR	EVND1AA00B14	B
GU886000	R697	RESISTOR	EVND4AA00B15	B
GU855500	R699	RESISTOR	EVND1AA00B14	B
GU854200	R773	FUSE RESISTOR	ERQ2CJP220S	B
GU852300	R801	WIRE WOUND RESISTOR	ERF5AKR47	B
GV056800	R803	CARBON RESISTOR	ERDS1FJ183	B
GU852400	R804	WIRE WOUND RESISTOR	ERF5ZJ101	B
GV056900	R805	METAL FILM RESISTOR	ERG2ANJ330	B
GV057000	R806	WIRE WOUND RESISTOR	ERF2AJ220	B
GV057100	R808	METAL FILM RESISTOR	ERDS2TJ183	B
GV057200	R809	METAL FILM RESISTOR	ERG2SJ823H	B
GV058900	R810	CARBON RESISTOR	ERDS1FJ183	B
GV058900	R812	CARBON RESISTOR	ERDS1FJ183	B
GV057300	R813	CARBON RESISTOR	ERDS1FJ123	B
GU884500	R814	CARBON RESISTOR	ERD75TAJ825	B
GV057400	R816	CARBON RESISTOR	ERDS1FJ121	B
GU854600	R820	WIRE WOUND RESISTOR	ERW12PKR22	B
GU853300	R821	FUSE RESISTOR	ERQ12HJ1R2	B
GV057500	R825	CARBON RESISTOR	ERDSL TJ102	B
GV057600	R826	FUSE RESISTOR	ERQ3CJ3R9	B
GU853500	R831	FUSE RESISTOR	ERQ12HKR22	B
GU869200	R860	CARBON RESISTOR	ERDS1FJ2R2	B
GU869200	R861	CARBON RESISTOR	ERDS1FJ2R2	B
GV057700	R862	CARBON RESISTOR	ERDS1FJ1R8	B
GV057800	R863	CARBON RESISTOR	ERDS1FJ821	B
GV057900	R870	WIRE WOUND RESISTOR	EEF3AJ100	B
GV058000	R881	CARBON RESISTOR	ERDS1TJ103	B
GV058100	R885	CARBON RESISTOR	ERD25TJ271	B
GV058200	R890	CARBON RESISTOR	ERDS1TJ474	B
GU884900	R892	METAL FILM RESISTOR	ERG2SJ683	B
GU856300	S3301	SWITCH	EVQR4AL13	B
GU867500	S4302	SWITCH	TSE80391	B
GU867500	S4303	SWITCH	TSE80391	B
GV058300	S5101	SWITCH	ESB68783	B
GV058400	S5104	SWITCH	ESB68784	B
GU854800	S801	SWITCH	ESB99857V	B
GU854900	T501	TRANS.	ETH19Y70AY	B
GU863100	W1	5P CONNECTOR	TJS2A8340	B
GU862300	W10	3P CONNECTOR	TJS1A8090	B
GU863200	W2	6P CONNECTOR	TJS2A8350	B
GU863100	W3	5P CONNECTOR	TJS2A8340	B
GUB63200	W4	6P CONNECTOR	TJS2A8350	B
GUB62700	W5	10P CONNECTOR	TJS1A8160	B
GU867900	X601	CRYSTAL OSCILLATOR	TSS2002-D	B
GU868000	X602	CRYSTAL OSCILLATOR	TSS2026-M	B
	0	NUT	THN2933-9	C
	0	SCREW	XTB4+10A	C
	0	SCREW	XTB4+12J	C
	0	SCREW	XTB4+15A	C
	0	SCREW	XTB4+15AFZ	C
	0	SCREW	XTB4+15JFZ	C
	0	SCREW	XTB4+20JFZ	C
	0	SCREW	XTV3+10A	C
	0	SCREW	XTV3+10AFZ	C
	0	SCREW	XTV3+12A	C
	0	SCREW	XTV3+6J	C
	0	SCREW	XTV3+8J	C

OEV201E

PARTS No.	CR No.	PARTS NAME E.	INDEX SPECIFICATION	ABC ?!
GU841300	0	KNOB	TBX8750102	A
GU841900	0	PROTECTOR	TKK139625	A
GU842000	0	HANDLE	TKK69279-4	A
GU843000	0	CHASSIS FRAME	TMX13101-2	A
GU843100	0	B PRINT FRAME	TMX13102	A
GU843300	0	F PRINT ASSY	TNP110144CZ	A
GU843400	0	G PRINT ASSY	TNP110284BZ	A
GU844200	0	EARTH LABEL	TQF81735	A
GU844800	0	D.Y USE WEDGE	TMM17514	A
GU844900	0	PERMALLOY	TXFMK01H55	A
GU847100	0	SPEAKER	EAS7D09A	A
GU861100	0	FUSE HOLDER	TJC6320	A
GU864800	0	CONVERGENCE	TLC2061	A
GU881000	0	POWER CORD LABEL	TQF34790	A
GU881100	0	HI VOLTAGE MARK LABEL	TQF34791	A
GU886200	0	FERRITE CORE	KR06TT261329	A
GU886300	0	FERRITE CORE	KR06TT281815	A
GU887100	0	POWER CORD	TSX1442	A
GV045500	0	SET LEG	TBL131303	A
GV045600	0	PUSH BUTTON	TBX1484600	A
GV045700	0	CRT SPRING	TES1208	A
GV045800	0	BACK COVER SHEET	TKK139647	A
GV045900	0	TERMINAL PANEL	TKP1314201-2	A
GV046200	0	CRT MOUNT U/D	TKZ138234	A
GV046300	0	CRT MOUNT R	TKZ138235	A
GV046400	0	CRT MOUNT L	TKZ138236	A
GV046500	0	METAL MOUNT BOTTOM	TKZ138880	A
GV046600	0	METAL MOUNT BOTTOM R	TKZ148951	A
GV046700	0	METAL MOUNT BOTTOM L	TKZ148952	A
GV046830	0	DE MAGNETIZING COIL	TLK139025A	A
GV046900	0	DEFLECTION YOKE	TLY26384	A
GV047000	0	CRT BARRIER	TMK87523	A
GV047100	0	CRT CUSHION	TMM407-4	A
GV047500	0	E PRINT ASSY	TNP110314DZ	A
GV047700	0	C PRINT ASSY	TNP111208	A
GV047800	0	W PRINT ASSY	TNP111209	A
GV047900	0	L PRINT ASSY	TNP111210ZA	A
GV048300	0	LABEL	TQF54270	A
GV048400	0	FERRITE CORE	TSK1018	A
GV048600	0	PCB SIDE HOLDER	TUX14552	A
GV048700	0	PCB FRONT HOLDER	TUX14553	A
GV048900	0	D PRINT ASSY	TXANP1DMES2	A
GV049100	0	DOOR PLASTIC BAG	XZB10X28C03	A
GV063200	0	CATHODERAY TUBE	M48JBY02X/E	A
GV102500	0	DOOR CLIPPER	TKK158528	A
GV102600	0	DOOR	TKP13A1601-1	A
GV102700	0	BOTTOM PLATE	TKX139801-1	A
GV102800	0	POWER SW BARRIER	TMK33582	A
GV102900	0	FRONT BRACKET	TMW13112	A
GV103000	0	B PRINT ASSY	TNP110714AZ	A
GV103100	0	A PRINT ASSY	TNP190189AZ	A
GV103200	0	WARNING LABEL	TQF54289	A
GV103300	0	FRONT FRAME	TTE130006	A
GV103400	0	CABINET	TXAKC1MES1	A
GV103500	0	REAR PANEL	TXFKU01MES1	A
GV049200	T551	FLYBACK TRANS.	TLF15572F	A
GV058500	T801	TRANS.	ETS49AC1E6ND	A
GU887000		SWITCH	TSE519	B
GU862100	0	CRT SOCKET	TJSLA5050	B
GU864000	0	AC INLET	TJS5A9990	B
GU861800	A11	10P CONNECTOR	TJS118670	B
GV049300	A12	9P CONNECTOR	TJS118660	B
GU864100	A14	10P CONNECTOR	TJS6A8160	B

OEV201E

PARTS No.	CR No.	PARTS NAME E.	INDEX SPECIFICATION	ABC ?!
GU864400	A15	9P CONNECTOR	TJS6A8570	B
GU864300	A16	4P CONNECTOR	TJS6A8560	B
GU861400	A17	3P CONNECTOR	TJS118600	B
GU861500	A18	4P CONNECTOR	TJS118610	B
GU861500	A22	4P CONNECTOR	TJS118610	B
GU863900	A23	6P CONNECTOR	TJS5A9490	B
GU864100	A24	10P CONNECTOR	TJS6A8160	B
GU864400	A26	9P CONNECTOR	TJS6A8570	B
GU864100	A27	10P CONNECTOR	TJS6A8160	B
GU864100	A29	10P CONNECTOR	TJS6A8160	B
GU861400	A31	3P CONNECTOR	TJS118600	B
GU864300	A33	4P CONNECTOR	TJS6A8560	B
GU861300	A35	2P CONNECTOR	TJS118590	B
GU861300	A36	2P CONNECTOR	TJS118590	B
GU861400	A42	3P CONNECTOR	TJS118600	B
GU862900	A5	6P CONNECTOR	TJS1A9790	B
GU861300	A51	2P CONNECTOR	TJS118590	B
GU862900	A6	6P CONNECTOR	TJS1A9790	B
GU863000	A7	10P CONNECTOR	TJS1A9830	B
GU862800	B1	5P CONNECTOR	TJS1A9780	B
GU861300	B10	2P CONNECTOR	TJS118590	B
GU861400	B14	3P CONNECTOR	TJS118600	B
GU861300	B15	2P CONNECTOR	TJS118590	B
GU862900	B2	6P CONNECTOR	TJS1A9790	B
GU861600	B20	5P CONNECTOR	TJS118620	B
GU862800	B3	5P CONNECTOR	TJS1A9780	B
GU862900	B4	6P CONNECTOR	TJS1A9790	B
GU863200	B5	6P CONNECTOR	TJS2A8350	B
GU863200	B6	6P CONNECTOR	TJS2A8350	B
GU863300	B7	10P CONNECTOR	TJS2A8390	E
GU861600	B8	5P CONNECTOR	TJS118620	E
GU861700	B9	8P CONNECTOR	TJS118650	B
GU861300	C1	2P CONNECTOR	TJS118590	B
GU861400	C10	3P CONNECTOR	TJS118600	B
GU861800	C11	10P CONNECTOR	TJS118670	B
GV049300	C12	9P CONNECTOR	TJS118660	B
GU850300	C1308	TRIMMER CAPACITOR	ECRHA090N41	B
GU849800	C1344	POLYESTER CAPACITOR	ECQB1H102JF	B
GU861500	C20	4P CONNECTOR	TJS118610	B
GU861400	C21	3P CONNECTOR	TJS118600	B
GU857300	C3324	CR COMBINATION	EXFP4472ZW	B
GU847600	C360	ELECTROLYTIC CAPACITOR	ECEA2EG4R7S	B
GU848400	C363	CERAMIC CAPACITOR	ECKD30102KBN	B
GV049400	C456	ELECTROLYTIC CAPACITOR	ECEA1EU222	B
GU882400	C458	CERAMIC CAPACITOR	ECKD2H182KB2	B
GV049500	C461	ELECTROLYTIC CAPACITOR	ECEA1VGE471	B
GV049600	C462	ELECTROLYTIC CAPACITOR	ECEA1VU102	B
GV049700	C464	ELECTROLYTIC CAPACITOR	ECEA1VU470	B
GV049700	C515	ELECTROLYTIC CAPACITOR	ECEA1VU470	B
GV050700	C522	POLYESTER CAPACITOR	ECQV1H333JZ	B
GU849800	C5318	POLYESTER CAPACITOR	ECQB1H102JF	B
GU849800	C5320	POLYESTER CAPACITOR	ECQB1H102JF	B
GU849800	C550	POLYESTER CAPACITOR	ECQB1H102JF	B
GV049800	C551	CERAMIC CAPACITOR	ECKD3d821KBP	B
GU848500	C553	CERAMIC CAPACITOR	ECKD3D152JBN	B
GV049900	C554	POLYESTER CAPACITOR	ECQV1H563JZ	B
GU848000	C555	CERAMIC CAPACITOR	ECKD2H222KB2	B
GV050000	C557	POLYPROPYLENE CAPACITOR	ECWF2H155JNB	B
GU850500	C558	POLYPROPYLENE CAPACITOR	ECWH12H682JS	B
GV050100	C559	CERAMIC CAPACITOR	ECKD3D1BZJBN	B
GU850100	C560	POLYESTER CAPACITOR	ECQM4562JZ	B
GU850000	C561	POLYESTER CAPACITOR	ECQM4472JZ	B
GU847400	C569	ELECTROLYTIC CAPACITOR	ECEA2CN3R3SE	B

OEV201E

PARTS No.	CR No.	PARTS NAME E.	INDEX SPECIFICATION	ABC ?!
GU882200	C571	CERAMIC CAPACITOR	ECKD2H102KB2	B
GU847700	C572	ELECTROLYTIC CAPACITOR	ECEA2EGE100	B
GU882300	C573	CERAMIC CAPACITOR	ECKDBH103ZU	B
GU847800	C574	ELECTROLYTIC CAPACITOR	ECEA2EGE330	B
GV049700	C5755	ELECTROLYTIC CAPACITOR	ECEA1VU470	B
GV050300	C576	ELECTROLYTIC CAPACITOR	ECEA2CGR47	B
GU860800	C634	TRIMMER CAPACITOR	TCRHA030E11	B
GU860800	C637	TRIMMER CAPACITOR	TCRHA030E11	B
GU857200	C656	CR COMBINATION	EXFP4103ZW	B
GU847200	C668	CERAMIC CAPACITOR	ECCF1H100DC	B
GU882800	C802	CERAMIC CAPACITOR	ECKD2H472PU7	B
GU882800	C804	CERAMIC CAPACITOR	ECKD2H472PU7	B
GU882800	C805	CERAMIC CAPACITOR	ECKD2H472PU7	B
GU883400	C806	ELECTROLYTIC CAPACITOR	ECOS2CG221N	B
GV050400	C807	ELECTROLYTIC CAPACITOR	ECEA1VGE220	B
GV050500	C811	POLYESTER CAPACITOR	ECQB1H222JF	B
GV050600	C814	POLYPROPYLENE CAPACITOR	ECWH12H272JS	B
GV050700	C815	POLYESTER CAPACITOR	ECQV1H333JZ	B
GV050800	C816	CERAMIC CAPACITOR	ECKD2H681KB2	B
GV050900	C817	ELECTROLYTIC CAPACITOR	ECEA1HGE470	B
GV051000	C818	ELECTROLYTIC CAPACITOR	ECOS2CA561BB	B
GU848100	C819	CERAMIC CAPACITOR	ECKD2H471KB2	B
GU882900	C822	CERAMIC CAPACITOR	ECKD3A471KBP	B
GU882600	C824	CERAMIC CAPACITOR	ECKD2H391KB2	B
GV051200	C825	ELECTROLYTIC CAPACITOR	ECEA1VGE331	B
GV051300	C826	ELECTROLYTIC CAPACITOR	ECEA1EF471	B
GU883200	C828	CERAMIC CAPACITOR	ECKDWS102ME	B
GU883200	C829	CERAMIC CAPACITOR	ECKDWS102ME	B
GU882900	C835	CERAMIC CAPACITOR	ECKD3A471KBP	B
GV051400	C852	CERAMIC CAPACITOR	ECKF1H681KB	B
GU847305	C862	ELECTROLYTIC CAPACITOR	ECEA160V33Z	B
GV051500	C870	ELECTROLYTIC CAPACITOR	ECEA1VU471	B
GU883600	C894	POLYESTER CAPACITOR	ECQU2A104MN	B
GU883200	C895	CERAMIC CAPACITOR	ECKDWS102ME	B
GU883200	C896	CERAMIC CAPACITOR	ECKDWS102ME	B
GU883700	C897	POLYESTER CAPACITOR	ECQU2A224MN	B
GU883300	C898	CERAMIC CAPACITOR	ECKDWS471MB	B
GU861700	C9	8P CONNECTOR	TJS118650	B
GV051900	D1304	DIODE	MA165	B
GV051900	D1305	DIODE	MA165	B
GU858100	D1314	DIODE	MA29WB	B
GV051900	D1315	DIODE	MA165	B
GV051900	D1320	DIODE	MA165	B
GV051900	D1321	DIODE	MA165	B
GV051900	D1322	DIODE	MA165	B
GV051900	D1323	DIODE	MA165	B
GV051900	D1326	DIODE	MA165	B
GV052800	D14	10P CONNECTOR	TJS6A8170	B
GU863400	D15	9P CONNECTOR	TJS5A8150	B
GV051900	D1601	DIODE	MA165	B
GV051900	D1603	DIODE	MA165	B
GV051900	D1604	DIODE	MA165	B
GU858800	D1605	DIODE	MA4062M	B
GV051900	D1606	DIODE	MA165	B
GV051900	D1607	DIODE	MA165	B
GU863500	D2	4P CONNECTOR	TJS5A8170	B
GU862600	D3	8P CONNECTOR	TJS1A8140	B
GU859200	D3303	DIODE	MA4091L	B
GU859200	D3304	DIODE	MA4091L	B
GV051900	D3305	DIODE	MA165	B
GV051900	D3306	DIODE	MA165	B
GU859100	D3308	DIODE	MA4091H	B
GU859100	D3309	DIODE	MA4091H	B

OEV201E

PARTS No.	CR No.	PARTS NAME E.	INDEX SPECIFICATION	ABC ?!
GU859100	D3310	DIODE	MA4091H	B
GV051900	D3311	DIODE	MA165	B
GV051900	D3312	DIODE	MA165	B
GV051900	D3313	DIODE	MA165	B
GV051900	D3314	DIODE	MA165	B
GU859200	D3319	DIODE	MA4091L	B
GV051900	D3323	DIODE	MA165	B
GU858800	D3324	DIODE	MA4062M	B
GU858800	D3325	DIODE	MA4062M	B
GU858800	D3326	DIODE	MA4062M	B
GV051900	D3327	DIODE	MA165	B
GV051900	D3338	DIODE	MA165	B
GV051900	D3339	DIODE	MA165	B
GU858700	D3341	DIODE	MA4056M	B
GV051900	D3342	DIODE	MA165	B
GV051900	D3343	DIODE	MA165	B
GV051900	D3345	DIODE	MA165	B
GV051900	D3346	DIODE	MA165	B
GV051900	D3347	DIODE	MA165	B
GV051900	D3350	DIODE	MA165	B
GV051900	D3352	DIODE	MA165	B
GU859000	D3353	DIODE	MA4082M	B
GV051700	D3360	DIODE	AM01Z	B
GV051700	D3361	DIODE	AM01Z	B
GU859400	D3362	DIODE	MA4130H	B
GV051900	D3369	DIODE	MA165	B
GV051900	D3370	DIODE	MA165	B
GV051900	D3372	DIODE	MA165	B
GV051900	D3373	DIODE	MA165	B
GV051800	D3374	DIODE	MA150	B
GV051900	D3375	DIODE	MA165	B
GV052000	D351	DIODE	MA167	B
GV052000	D352	DIODE	MA167	B
GV052000	D353	DIODE	MA167	B
GV052000	D354	DIODE	MA167	B
GV052000	D355	DIODE	MA167	B
GV052000	D356	DIODE	MA167	B
GV051900	D357	DIODE	MA165	B
GV051900	D358	DIODE	MA165	B
GV051900	D359	DIODE	MA165	B
GU855100	D360	DIODE	TVSEU01N	B
GU855100	D361	DIODE	TVSEU01N	B
GU855100	D362	DIODE	TVSEU01N	B
GV052000	D371	DIODE	MA167	B
GV052000	D372	DIODE	MA167	B
GV052000	D373	DIODE	MA167	B
GU859800	D374	DIODE	MA700	B
GU859800	D375	DIODE	MA700	B
GU859800	D376	DIODE	MA700	B
GU862200	D4	2P CONNECTOR	TJS1A8080	B
GU858900	D402	DIODE	MA4075H	B
GU859400	D4307	DIODE	MA4130H	B
GU859400	D4308	DIODE	MA4130H	B
GV051900	D4310	DIODE	MA165	B
GV051900	D4311	DIODE	MA165	B
GV051900	D4312	DIODE	MA165	B
GV051900	D4316	DIODE	MA165	B
GV051900	D4318	DIODE	MA165	B
GV051900	D4319	DIODE	MA165	B
GV051900	D4320	DIODE	MA165	B
GV051900	D4321	DIODE	MA165	B
GV051900	D4322	DIODE	MA165	B
GV051900	D4324	DIODE	MA165	B

OEV201E

PARTS No.	CR No.	PARTS NAME E.	INDEX SPECIFICATION	ABC ?!
GU851700	D451	DIODE	ERA15-02	B
GV051900	D455	DIODE	MA165	B
GV051900	D456	DIODE	MA165	B
GU857500	D457	DIODE	MA1043M	B
GU859300	D460	DIODE	MA4120M	B
GV051900	D462	DIODE	MA165	B
GU862700	D5	10P CONNECTOR	TJS1A8160	B
GV051900	D502	DIODE	MA165	B
GU858600	D503	DIODE	MA4051M	B
GV051900	D505	DIODE	MA165	B
GV051900	D507	DIODE	MA165	B
GU857400	D5107	DIODE (LED)	LN31GPH	B
GV051900	D5204	DIODE	MA165	B
GV051900	D5205	DIODE	MA165	B
GV051900	D5210	DIODE	MA165	B
GV051900	D5211	DIODE	MA165	B
GV051900	D5212	DIODE	MA165	B
GV051900	D5304	DIODE	MA165	B
GV051900	D5306	DIODE	MA165	B
GV051900	D5307	DIODE	MA165	B
GV051900	D5309	DIODE	MA165	B
GU859500	D531	DIODE	MA4150M	B
GV051900	D5330	DIODE	MA165	B
GV051900	D5331	DIODE	MA165	B
GV051900	D5332	DIODE	MA165	B
GV051900	D5333	DIODE	MA165	B
GV051900	D5334	DIODE	MA165	B
GV051900	D5336	DIODE	MA165	B
GV051900	D5337	DIODE	MA165	B
GV051900	D5350	DIODE	MA165	B
GV051900	D5351	DIODE	MA165	B
GV051900	D5352	DIODE	MA165	B
GV051900	D5353	DIODE	MA165	B
GV051900	D5354	DIODE	MA165	B
GV051900	D5355	DIODE	MA165	B
GV051900	D5356	DIODE	MA165	B
GV051900	D5357	DIODE	MA165	B
GV051900	D5358	DIODE	MA165	B
GV051900	D5359	DIODE	MA165	B
GV051900	D5360	DIODE	MA165	B
GV051900	D5361	DIODE	MA165	B
GU859800	D5401	DIODE	MA700	B
GU859800	D5402	DIODE	MA700	B
GU860100	D5403	DIODE	QA90AM	B
GU858200	D5404	DIODE	MA4030M	B
GU858400	D5405	DIODE	MA4047H	B
GU868400	D551	DIODE	TVSEU2	B
GU852000	D552	DIODE	ERD07-15	B
GU868700	D553	DIODE	TVSRU2AM	B
GU868400	D554	DIODE	TVSEU2	B
GV051900	D5562	DIODE	MA165	B
GU851800	D558	DIODE	ERA22-04	B
GU859700	D559	DIODE	MA4360L	B
GV052000	D562	DIODE	MA167	B
GV052100	D563	DIODE	MA29T-B	B
GV052100	D564	DIODE	MA29T-B	B
GV052000	D565	DIODE	MA167	B
GU858500	D607	DIODE	MA4047M	B
GU847000	D608	DIODE	DAN401	B
GV051900	D609	DIODE	MA165	B
GV051900	D610	DIODE	MA4165	B
GV051900	D615	DIODE	MA165	B
GV051900	D616	DIODE	MA165	B

OEV201E

PARTS No.	CR No.	PARTS NAME E.	INDEX SPECIFICATION	ABC ?!
GU859400	D617	DIODE	MA4130H	B
GU862200	D7	2P CONNECTOR	TJS1A8080	B
GV052100	D753	DIODE	MA29T-B	B
GV052100	D754	DIODE	MA29T-B	B
GU860200	D801	DIODE	RBV-608	B
GV052200	D806	DIODE	MA723	B
GV052300	D808	DIODE	AU02Z	B
GU886900	D810	POSISTOR	TRPW5BON120D	B
GV052500	D811	DIODE	ERD31-04	B
GU860300	D812	DIODE	RL4Z	B
GU868200	D815	DIODE	AG01	B
GU868800	D816	DIODE	TVSSR2KN	B
GU868400	D817	DIODE	TVSEU2	B
GU846700	D828	DIODE	AS01	B
GU858000	D840	DIODE	MA29T-A	B
GU858300	D842	DIODE	MA4036M	B
GU859600	D843	DIODE	MA4330H	B
GU857800	D845	DIODE	MA182	B
GU868800	D850	DIODE	TVSSR2KN	B
GV052600	D851	DIODE	TVSQB112	B
GU859600	D871	DIODE	MA4330H	B
GV051900	D872	DIODE	MA165	B
GU850700	DL601	DELAY LINE	EFDEN645A61F	B
GU862500	E20	5P CONNECTOR	TJS1A8110	B
GU863800	E23	6P CONNECTOR	TJS5A8760	B
GU863600	E24	10P CONNECTOR	TJS5A8520	B
GU862400	F1	4P CONNECTOR	TJS1A8100	B
GU862300	F21	3P CONNECTOR	TJS1A8090	B
GU862400	F22	4P CONNECTOR	TJS1A8100	B
GU863600	F29	10P CONNECTOR	TJS5A8520	B
GU863500	F33	4P CONNECTOR	TJS5A8170	B
GU887400	F801	FUSE	XBA2C31TH15	B
GU887400	F802	FUSE	XBA2C31TH15	B
GU862400	G1	4P CONNECTOR	TJS1A8100	B
GU863400	G26	9P CONNECTOR	TJS5A8150	B
GU863600	G27	10P CONNECTOR	TJS5A8520	B
GU868900	IC1302	INTEGRATED CIRCUIT	TC4066BP	B <3>
GU846200	IC1602	INTEGRATED CIRCUIT	AN5860	B
GU846300	IC1603	INTEGRATED CIRCUIT	AN608P	B
GU845900	IC201	INTEGRATED CIRCUIT	AN5265	B <1>
GU846900	IC3301	INTEGRATED CIRCUIT	CXA1024S	B
GU859900	IC3302	INTEGRATED CIRCUIT	TC4053B	B
GU846500	IC3304	INTEGRATED CIRCUIT	AN78M09	B
GU846000	IC401	INTEGRATED CIRCUIT	AN5521	B
GU860900	IC501	INTEGRATED CIRCUIT	TDA2579A	B
GU860700	IC5303	INTEGRATED CIRCUIT	TC4052BP	B
GU845800	IC5310	INTEGRATED CIRCUIT	AN4558	B
GU860500	IC5405	INTEGRATED CIRCUIT	SN74LS86AN	B
GU866800	IC551	CIRCUIT BOARD (HIC)	TNH11303	B
GU868900	IC602	INTEGRATED CIRCUIT	TC4066BP	B <3>
GU861000	IC603	INTEGRATED CIRCUIT	TDA4555	B
GU846400	IC605	INTEGRATED CIRCUIT	AN6912	B
GU846100	IC606	INTEGRATED CIRCUIT	AN5613	B
GU846600	IC751	INTEGRATED CIRCUIT	AN78M20	B
GV053200	IC801	INTEGRATED CIRCUIT	STR-S6307	B
GU869000	IC802	INTEGRATED CIRCUIT	UPC2412HF	B
GV053300	IC804	INTEGRATED CIRCUIT	S1854LBM-6	B
GU865700	IC806	INTEGRATED CIRCUIT	TLP634GR	B
GU864200	JK4201	2P PHONE CONNECTOR	TJS6A8420	B
GU864200	JK4204	2P PHONE CONNECTOR	TJS6A8420	B
GU862000	JK4301	BNC CONNECTOR	TJS1A4330	B
GU862000	JK4302	BNC CONNECTOR	TJS1A4330	B
GU862000	JK4303	BNC CONNECTOR	TJS1A4330	B

OEV201E

PARTS No.	CR No.	PARTS NAME E.	INDEX SPECIFICATION	ABC ?!
GU859400	D617	DIODE	MA4130H	B
GU862200	D7	2P CONNECTOR	TJS1A8080	B
GV052100	D753	DIODE	MA29T-B	B
GV052100	D754	DIODE	MA29T-B	B
GU860200	D801	DIODE	RBV-608	B
GV052200	D806	DIODE	MA723	B
GV052300	D808	DIODE	AU02Z	B
GU886900	D810	POSISTOR	TRPWSB0N120D	B
GV052500	D811	DIODE	ERD31-04	B
GU860300	D812	DIODE	RL4Z	B
GU868200	D815	DIODE	AG01	B
GU868800	D816	DIODE	TVSSR2KN	B
GU868400	D817	DIODE	TVSEU2	B
GU846700	D828	DIODE	AS01	B
GU858000	D840	DIODE	MA29T-A	B
GU858300	D842	DIODE	MA4036M	B
GU859600	D843	DIODE	MA4330H	B
GU857800	D845	DIODE	MA182	B
GU868800	D850	DIODE	TVSSR2KN	B
GV052600	D851	DIODE	TVSQB112	B
GU859600	D871	DIODE	MA4330H	B
GV051900	D872	DIODE	MA165	B
GU850700	DL601	DELAY LINE	EPDEN645A61F	B
GU862500	E20	5P CONNECTOR	TJS1A8110	B
GU863800	E23	6P CONNECTOR	TJS5A8760	B
GU863600	E24	10P CONNECTOR	TJS5A8520	B
GU862400	F1	4P CONNECTOR	TJS1A8100	B
GU862300	F21	3P CONNECTOR	TJS1A8090	B
GU862400	F22	4P CONNECTOR	TJS1A8100	B
GU863600	F29	10P CONNECTOR	TJS5A8520	B
GU863500	F33	4P CONNECTOR	TJS5A8170	B
GU887400	F801	FUSE	XBA2C31TH15	B
GU887400	F802	FUSE	XBA2C31TH15	B
GU862400	G1	4P CONNECTOR	TJS1A8100	B
GU863400	G26	9P CONNECTOR	TJS5A8150	B
GU863600	G27	10P CONNECTOR	TJS5A8520	B
GU886600	IC1302	INTEGRATED CIRCUIT	MN4066B	B
GU846200	IC1602	INTEGRATED CIRCUIT	AN5860	B
GU846300	IC1603	INTEGRATED CIRCUIT	AN608P	B
GU845900	IC201	INTEGRATED CIRCUIT	AN5265	B
GU846900	IC3301	INTEGRATED CIRCUIT	CXA1024S	B
GU859900	IC3302	INTEGRATED CIRCUIT	TC4053B	B
GU846500	IC3304	INTEGRATED CIRCUIT	AN78M09	B
GU846000	IC401	INTEGRATED CIRCUIT	AN5521	B
GU860900	IC501	INTEGRATED CIRCUIT	TD2579A	B
GU860700	IC5303	INTEGRATED CIRCUIT	TC4052BP	B
GU845800	IC5310	INTEGRATED CIRCUIT	AN4558	B
GU860500	IC5405	INTEGRATED CIRCUIT	SN74LS86AN	B
GU866800	IC551	CIRCUIT BOARD (HIC)	TNH11303	B
GU886600	IC602	INTEGRATED CIRCUIT	MN4066B	B
GU861000	IC603	INTEGRATED CIRCUIT	TDA4555	B
GU846400	IC605	INTEGRATED CIRCUIT	AN6912	B
GU846100	IC606	INTEGRATED CIRCUIT	AN5613	B
GU846600	IC751	INTEGRATED CIRCUIT	AN78M20	B
GV053200	IC801	INTEGRATED CIRCUIT	STR-S6307	B
GU869000	IC802	INTEGRATED CIRCUIT	UPC2412HF	B
GV053300	IC804	INTEGRATED CIRCUIT	S1854LBM-6	B
GU865700	IC806	INTEGRATED CIRCUIT	TLP634GR	B
GU864200	JK4201	2P PHONE CONNECTOR	TJS6A8420	B
GU864200	JK4204	2P PHONE CONNECTOR	TJS6A8420	B
GU862000	JK4301	BNC CONNECTOR	TJS1A4330	B
GU862000	JK4302	BNC CONNECTOR	TJS1A4330	B
GU862000	JK4303	BNC CONNECTOR	TJS1A4330	B

<1>

OEV201E

PARTS No.	CR No.	PARTS NAME E.	INDEX	SPECIFICATION	ABC ?!
GU862000	JK4304	BNC CONNECTOR		TJS1A4330	B
GU862000	JK4305	BNC CONNECTOR		TJS1A4330	B
GU862000	JK4306	BNC CONNECTOR		TJS1A4330	B
GU862000	JK4307	BNC CONNECTOR		TJS1A4330	B
GU862000	JK4308	BNC CONNECTOR		TJS1A4330	B
GU862000	JK4309	BNC CONNECTOR		TJS1A4330	B
GU862000	JK4310	BNC CONNECTOR		TJS1A4330	B
GU862000	JK4311	BNC CONNECTOR		TJS1A4330	B
GU862000	JK4312	BNC CONNECTOR		TJS1A4330	B
GU864600	JK4313	2P PHONE CONNECTOR		TJS6A9320	B
GU864700	JK4315	4P. DIN CONNECTOR		TJS8A9040	B
GU864700	JK4316	4P. DIN CONNECTOR		TJS8A9040	B
GU861700	L1	8P CONNECTOR		TJS118650	B
GU851500	L1301	COIL		ELT10Z327	B
GU866700	L1308	PEAKING COIL		TLT560K991K	B
GU866000	L1309	PEAKING COIL		TLT150K991K	B
GU851600	L1310	COIL		ELT10Z397	B
GU866300	L1602	PEAKING COIL		TLT330K991K	B
GU866100	L1603	PEAKING COIL		TLT220K991K	B
GU866600	L1604	PEAKING COIL		TLT542K991K	B
GU861500	L18	4P CONNECTOR		TJS118610	B
GU866700	L351	PEAKING COIL		TLT560K991K	B
GU866500	L352	PEAKING COIL		TLT470K991K	B
GU866500	L353	PEAKING COIL		TLT470K991K	B
GU866400	L354	PEAKING COIL		TLT390K991K	B
GU866400	L355	PEAKING COIL		TLT390K991K	B
GU866400	L356	PEAKING COIL		TLT390K991K	B
GU867100	L501	FERRITE CORE		TSC925-4	B
GU865000	L551	COIL		TLH15907	B
GU851400	L552	COIL		ELHSL783	B
GU864900	L553	CHOKE COIL		TLH13711	B
GU867700	L554	FERRITE CORE		TSK1002-1	B
GU867700	L555	FERRITE CORE		TSK1002-1	B
GU865600	L560	FERRITE CORE		TLP408	B
GU851200	L561	COIL		ELC08D055	B
GU865400	L601	COIL		TLK61008-1	B
GU867100	L602	FERRITE CORE		TSC925-4	B
GU866400	L603	PEAKING COIL		TLT390K991K	B
GU865800	L604	PEAKING COIL		TLT056K991K	B
GU866000	L605	PEAKING COIL		TLT150K991K	B
GU866200	L606	PEAKING COIL		TLT270K991K	B
GU851100	L608	COIL		EIS7ES007B	B
GU865800	L611	PEAKING COIL		TLT056K991K	B
GU850900	L615	COIL		EIK7EG012B	B
GU865300	L616	COIL		TLK158066	B
GU851000	L617	COIL		EIK7EG013B	B
GU851000	L618	COIL		EIK7EG013B	B
GU865900	L619	PEAKING COIL		TLT100K991K	B
GU867100	L701	FERRITE CORE		TSC925-4	B
GV103600	L801	LINE FILTER		ELF18D850R	B
GV103600	L802	LINE FILTER		ELF18D850R	B
GV053400	L805	COIL		EICELSA35	B
GU867700	L807	FERRITE CORE		TSK1002-1	B
GU867700	L808	FERRITE CORE		TSK1002-1	B
GU884100	L812	COIL		ELC10B011	B
GU867700	L815	FERRITE CORE		TSK1002-1	B
GU884100	L819	COIL		ELC10B011	B
GV053500	L820	COIL		TSC928-4	B
GV053500	L821	COIL		TSC928-4	B
GU865200	LC1303	COIL		TLK156059E	B
GU850600	LC1305	CERAMIC FILTER		EFCA4R43MB3	B
GV103700	LC601	DELAY LINE		EFDBN645B85T	B
GV053700	Q1301	TRANSISTOR		2SC3311A	B

OEV201E

PARTS No.	CR No.	PARTS NAME E.	INDEX	SPECIFICATION	ABC ?!
GV053700	Q1302	TRANSISTOR		2SC3311A	B
GV053700	Q1303	TRANSISTOR		2SC3311A	B
GV053700	Q1304	TRANSISTOR		2SC3311A	B
GV053700	Q1306	TRANSISTOR		2SC3311A	B
GV053700	Q1308	TRANSISTOR		2SC3311A	B
GV053700	Q1313	TRANSISTOR		2SC3311A	B
GV053700	Q1314	TRANSISTOR		2SC3311A	B
GV053700	Q1318	TRANSISTOR		2SC3311A	B
GV054000	Q1319	TRANSISTOR		2SA1309A	B
GV053700	Q1320	TRANSISTOR		2SC3311A	B
GV054000	Q1321	TRANSISTOR		2SA1309A	B
GV054000	Q1322	TRANSISTOR		2SA1309A	B
GV053700	Q1323	TRANSISTOR		2SC3311A	B
GV054000	Q1324	TRANSISTOR		2SA1309A	B
GV053700	Q1326	TRANSISTOR		2SC3311A	B
GV053700	Q1328	TRANSISTOR		2SC3311A	B
GV053700	Q1601	TRANSISTOR		2SC3311A	B
GV053700	Q1606	TRANSISTOR		2SC3311A	B
GV054000	Q1607	TRANSISTOR		2SA1309A	B
GV053700	Q1608	TRANSISTOR		2SC3311A	B
GV053700	Q1609	TRANSISTOR		2SC3311A	B
GV053700	Q1610	TRANSISTOR		2SC3311A	B
GV053700	Q1611	TRANSISTOR		2SC3311A	B
GV053700	Q3301	TRANSISTOR		2SC3311A	B
GV053700	Q3304	TRANSISTOR		2SC3311A	B
GV053700	Q3305	TRANSISTOR		2SC3311A	B
GV054100	83312	TRANSISTOR		UN4212	B
GV054100	Q3313	TRANSISTOR		UN4212	B
GV053700	Q3315	TRANSISTOR		2SC3311A	B
GV054000	Q3316	TRANSISTOR		2SA1309A	B
GV054100	Q3317	TRANSISTOR		UN4212	B
GV053700	Q351	TRANSISTOR		2SC3311A	B
GV053700	Q352	TRANSISTOR		2SC3311A	B
GV053700	Q353	TRANSISTOR		2SC3311A	B
GU845400	Q354	TRANSISTOR		2SC3942	B
GU845400	Q355	TRANSISTOR		2SC3942	B
GU845400	Q356	TRANSISTOR		2SC3942	B
GU845300	Q357	TRANSISTOR		2SC3063	B
GU845300	Q358	TRANSISTOR		2SC3063	B
GU845300	Q359	TRANSISTOR		2SC3063	B
GU887500	Q360	TRANSISTOR		2SB1011	B
GU887500	Q361	TRANSISTOR		2SB1011	B
GU887500	Q362	TRANSISTOR		2SB1011	B
GU887500	Q363	TRANSISTOR		2SB1011	B
GU887500	Q364	TRANSISTOR		2SB1011	B
GU887500	Q365	TRANSISTOR		2SB1011	B
GV053600	Q402	TRANSISTOR		UN4211	B
GV053700	Q4301	TRANSISTOR		2SC3311A	B
GV053700	Q4303	TRANSISTOR		2SC3311A	B
GV053700	Q4304	TRANSISTOR		2SC3311A	B
GV053700	Q4305	TRANSISTOR		2SC3311A	B
GV053700	Q4306	TRANSISTOR		2SC3311A	B
GV053700	Q4307	TRANSISTOR		2SC3311A	B
GV054000	Q4308	TRANSISTOR		2SA1309A	B
GV053700	Q451	TRANSISTOR		2SC3311A	B
GV053800	Q453	TRANSISTOR		2SC1383-R	B <2>
GV053900	Q454	TRANSISTOR		2SA683-R	B <2>
GV054000	Q502	TRANSISTOR		2SA1309A	B
GV053700	Q503	TRANSISTOR		2SC3311A	B
GU845500	Q504	TRANSISTOR		2SD1264	B
GU845200	Q505	TRANSISTOR		2SC2653HLB	B
GV053700	Q5100	TRANSISTOR		2SC3311A	B
GV053700	Q5201	TRANSISTOR		2SC3311A	B

OEV201E

PARTS No.	CR No.	PARTS NAME E.	INDEX	SPECIFICATION	ABC	?!>
GV054000	Q5202	TRANSISTOR		2SA1309A	B	
GV053700	Q5203	TRANSISTOR		2SC3311A	B	
GV053700	Q5301	TRANSISTOR		2SC3311A	B	
GV053700	Q5302	TRANSISTOR		2SC3311A	B	
GV053700	Q5303	TRANSISTOR		2SC3311A	B	
GV054000	Q5304	TRANSISTOR		2SA1309A	B	
GV053700	Q5305	TRANSISTOR		2SC3311A	B	
GV053700	Q5352	TRANSISTOR		2SC3311A	B	
GV053700	Q5353	TRANSISTOR		2SC3311A	B	
GV053700	Q5354	TRANSISTOR		2SC3311A	B	
GV054000	Q5355	TRANSISTOR		2SA1309A	B	
GV054000	Q5356	TRANSISTOR		2SA1309A	B	
GV054000	Q5357	TRANSISTOR		2SA1309A	B	
GV053700	Q5367	TRANSISTOR		2SC3311A	B	
GV054000	Q5401	TRANSISTOR		2SA1309A	B	
GV053700	Q5402	TRANSISTOR		2SC3311A	B	
GV053700	Q5403	TRANSISTOR		2SC3311A	B	
GV054000	Q5404	TRANSISTOR		2SA1309A	B	
GV053700	Q5405	TRANSISTOR		2SC3311A	B	
GV054100	Q5506	TRANSISTOR		UN4212	B	
GV054100	Q5507	TRANSISTOR		UN4212	B	
GU845700	Q552	TRANSISTOR		2SD1732LBTV	B	<1>
GV053700	Q5750	TRANSISTOR		2SC3311A	B	
GV053700	Q5751	TRANSISTOR		2SC3311A	B	
GV053700	Q5752	TRANSISTOR		2SC3311A	B	
GV053700	Q5753	TRANSISTOR		2SC3311A	B	
GV053700	Q601	TRANSISTOR		2SC3311A	B	
GV053700	Q602	TRANSISTOR		2SC3311A	B	
GV053700	Q603	TRANSISTOR		2SC3311A	B	
GV053700	Q604	TRANSISTOR		2SC3311A	B	
GV053700	Q605	TRANSISTOR		2SC3311A	B	
GV053700	Q606	TRANSISTOR		2SC3311A	B	
GV059700	Q607	TRANSISTOR		2SC3311A	B	
GV053700	Q608	TRANSISTOR		2SC3311A	B	
GV053700	Q610	TRANSISTOR		2SC3311A	B	
GV053700	Q612	TRANSISTOR		2SC3311A	B	
GV053700	Q613	TRANSISTOR		2SC3311A	B	
GV053700	Q614	TRANSISTOR		2SC3311A	B	
GV053700	Q615	TRANSISTOR		2SC3311A	B	
GV053700	Q617	TRANSISTOR		2SC3311A	B	
GV053700	Q620	TRANSISTOR		2SC3311A	B	
GV054100	Q621	TRANSISTOR		UN4212	B	
GV054100	Q622	TRANSISTOR		UN4212	B	
GV054000	Q754	TRANSISTOR		2SA1309A	B	
GV054200	Q755	TRANSISTOR		2SD1499	B	
GV054300	Q801	TRANSISTOR		2SA564A	B	
GV054400	Q806	TRANSISTOR		2SA879	B	
GV053700	Q807	TRANSISTOR		2SC3311A	B	
GU845100	Q810	TRANSISTOR		2SC2497AR	B	<1>
GV053700	Q811	TRANSISTOR		2SC3311A	B	
GV053700	Q812	TRANSISTOR		2SC3311A	B	
GV054500	R1306	METAL FILM RESISTOR		EROS2CKF5110	B	
GU856000	R1316	RESISTOR		EVND4AA00B13	B	
GV054600	R1328	FUSE RESISTOR		ERQ12HJ4R7	B	
GU857100	R1394	RR COMBINATION		EXBF5E472J	B	
GU854100	R209	FUSE RESISTOR		ERQ2CJP150S	B	
GU856600	R3317	RESISTOR		EVTTF4CA00B24	B	
GU856400	R3339	RESISTOR		EVTTF4CA00B14	B	
GU856400	R3344	RESISTOR		EVTTF4CA00B14	B	
GU856500	R3347	RESISTOR		EVTTF4CA00B15	B	
GU856400	R3349	RESISTOR		EVTTF4CA00B14	B	
GU856500	R3351	RESISTOR		EVTTF4CA00B15	B	
GU856400	R3354	RESISTOR		EVTTF4CA00B14	B	

OEV201E

PARTS No.	CR No.	PARTS NAME E.	INDEX SPECIFICATION ABC ?!
GU856500	R3366	RESISTOR	EVTF4CA00B15 B
GV054700	R3378	METAL FILM RESISTOR	EROS2CKF3301 B
GU856500	R3381	RESISTOR	EVTF4CA00B15 B
GU856700	R3393	RESISTOR	EVTF4CA00B53 B
GU854000	R3397	FUSE RESISTOR	ERQ1CJP1R0S B
GV054800	R3407	CARBON RESISTOR	ERDS1FJ100 B
GV054900	R3421	METAL FILM RESISTOR	EROS2CKF4700 B
GV054900	R3422	METAL FILM RESISTOR	EROS2CKF4700 B
GV054900	R3423	METAL FILM RESISTOR	EROS2CKF4700 B
GU885200	R372	METAL FILM RESISTOR	ERG3SJ822H B
GU885200	R373	METAL FILM RESISTOR	ERG3SJ822H B
GU885200	R374	METAL FILM RESISTOR	ERG3SJ822H B
GV055000	R375	CARBON RESISTOR	ERDS1FJ680 B
GV055000	R376	CARBON RESISTOR	ERDS1FJ680 B
GV055000	R377	CARBON RESISTOR	ERDS1FJ680 B
GV055000	R378	CARBON RESISTOR	ERDS1FJ680 B
GV055000	R379	CARBON RESISTOR	ERDS1FJ680 B
GV055000	R380	CARBON RESISTOR	EBDS1FJ680 B
GU853200	R381	FUSE RESISTOR	ERQ12AJ331P B
GU853200	R382	FUSE RESISTOR	ERQ12AJ331P B
GU853200	R383	FUSE RESISTOR	ERQ12AJ331P B
GV055100	R384	CARBON RESISTOR	ERDS1FJ101 B
GV055100	R385	CARBON RESISTOR	ERDS1FJ101 B
GV055100	R386	CARBON RESISTOR	ERDS1FJ101 B
GV055200	R387	CARBON RESISTOR	ERDS1FJ102 B
GV055200	R388	CARBON RESISTOR	ERDS1FJ102 B
GV055200	R389	CARBON RESISTOR	ERDS1FJ102 B
GU855800	R402	RESISTOR	EVND1AA00B25 B
GU855400	R4355	RESISTOR	EVN38CA00B12 B
GU855400	R4363	RESISTOR	EVN38CA00B12 B
GV055300	R462	METAL FILM RESISTOR	EROS2CKFSR00 B
GV055400	R466	METAL FILM RESISTOR	ERG2SJ101H B
GU856100	R468	RESISTOR	EVND4AA00B14 E
GV055300	R470	METAL FILM RESISTOR	EROS2CKF3R00 B
GU855900	R508	RESISTOR	EVND1AA00B54 B
GU855500	R510	RESISTOR	EVND1AA00B14 B
GU855300	R5107	RESISTOR	EVJ06AF25B14 B
GU855200	R5111	RESISTOR	EVJ02WF25B14 B
GU855300	R5115	RESISTOR	EVJ06AF25B14 B
GU855300	R5119	RESISTOR	EVJ06AF25B14 B
GV055500	R512	METAL FILM RESISTOR	EROS2CKF1502 E
GU855300	R5123	RESISTOR	EVJ06AF25B14 B
GU855200	R5127	RESISTOR	EVJ02WF25B14 B
GU855200	R5135	RESISTOR	EVJ02WF25B14 B
GV055600	R515	METAL FILM RESISTOR	EROS2CKF8200 B
GV055700	R521	CARBON RESISTOR	ERDS1FJ330 B
GV058600	R529	METAL FILM RESISTOR	EROS2CKF3901 B
GV055800	R5381	METAL FILM RESISTOR	EROS2CKF1802 B
GV055900	R5382	METAL FILM RESISTOR	EROS2CKF3902 B
GV058800	R5383	METAL FILM RESISTOR	EROS2CKF1202 B
GV056000	R5385	METAL FILM RESISTOR	EROS2CKF1002 B
GV056100	R5386	METAL FILM RESISTOR	EROS2CKF5602 B
GU853900	R540	FUSE RESISTOR	ERQ14AJ8R2P B
GV056200	R5404	CARBON RESISTOR	ERDS1FJ331 B
GV058700	R542	METAL FILM RESISTOR	ER025CKF1502 B
GV056200	R5458	CARBON RESISTOR	ERDS1FJ331 B
GV056300	R553	FUSE RESISTOR	ERQ3CJ272 B
GU853100	R554	METAL FILM RESISTOR	ERG5ZJ562 B
GU855900	R563	RESISTOR	EVND1AA00B54 B
GU852600	R575	METAL FILM RESISTOR	ERG1SJ471P B
GU855700	R5764	RESISTOR	EVND1AA00B24 B
GV056400	R577	FUSE RESISTOR	ERQBCJP1R2S B
GU852500	R578	METAL FILM RESISTOR	ERGLANJ102 B

OEV201E

PARTS No.	CR No.	PARTS NAME E.	INDEX	SPECIFICATION	ABC	?!
GV058600	R585	METAL FILM RESISTOR		EROS2CKF3901	B	
GU853700	R587	FUSE RESISTOR		ERQ14AJ101P	B	
GU853400	R600	FUSE RESISTOR		ERQ12HJ3R3	B	
GU856200	R604	RESISTOR		EVND4AA00B52	B	
GU851900	R627	SOLID RESISTOR		ERC14GK106	B	
GU856000	R663	RESISTOR		EVND4AA00B13	B	
GV056500	R664	METAL FILM RESISTOR		EROS2CKF7500	B	
GV056600	R665	METAL FILM RESISTOR		EROS2CKF9100	B	
GV056700	R666	METAL FILM RESISTOR		EROS2CKF1501	B	
GV056600	R667	METAL FILM RESISTOR		EROS2CKF9100	B	
GU855500	R670	RESISTOR		EVND1AA00B14	B	
GU886000	R697	RESISTOR		EVND4AA00B15	B	
GU855500	R699	RESISTOR		EVND1AA00B14	B	
GU854200	R773	FUSE RESISTOR		ERQ2CJP220S	B	
GV056800	R803	CARBON RESISTOR		ERDS1FJ183	B	
GU852400	R804	WIRE WOUND RESISTOR		ERFSZJ101	B	
GV056900	R805	METAL FILM RESISTOR		ERG2ANJ330	B	
GV057000	R806	WIRE WOUND RESISTOR		ERF2AJ220	B	
GV057200	R809	METAL FILM RESISTOR		ERG2SJ823H	B	
GV056800	R810	CARBON RESISTOR		ERDS1FJ183	B	
GV056800	R812	CARBON RESISTOR		ERDS1FJ183	B	
GV057300	R813	CARBON RESISTOR		ERDS1FJ123	B	
GU884500	R814	CARBON RESISTOR		ERD75TAJ825	B	
GV057400	R816	CARBON RESISTOR		ERDS1FJ121	B	
GU854600	R820	WIRE WOUND RESISTOR		ERW12PKR22	B	
GU853300	R821	FUSE RESISTOR		ERQ1ZHJ1R2	B	
GV057600	R826	FUSE RESISTOR		ERQ3CJ3R9	B	
GU853500	R831	FUSE RESISTOR		ERQ12HKR22	B	
GU869200	R860	CARBON RESISTOR		ERDS1FJ2R2	B	
GU869200	R861	CARBON RESISTOR		ERDS1FJ2R2	B	
GV057700	R862	CARBON RESISTOR		ERDS1FJ1R8	B	
GV057800	R863	CARBON RESISTOR		ERDS1FJ821	B	
GV057900	R870	WIRE WOUND RESISTOR		ERF3AJ100	B	
GV058000	R881	CARBON RESISTOR		ERDS1TJ103	B	
GV058200	R890	CARBON RESISTOR		ERDS1TJ474	B	
GU884900	R892	METAL FILM RESISTOR		ERG2SJ683	B	
GU856300	S3301	SWITCH		EVQR4AL13	B	
GU867500	S4302	SWITCH		TSE80391	B	
GU867500	S4303	SWITCH		TSE80391	B	
GV058300	S5101	SWITCH		ESB68783	B	
GV058400	S5104	SWITCH		ESB68784	B	
GU854900	T501	TRANS.		ETH19Y70AY	B	
GU863100	W1	5P CONNECTOR		TJS2A8340	B	
GU862300	W10	3P CONNECTOR		TJS1A8090	B	
GU863200	W2	6P CONNECTOR		TJS2A8350	B	
GU863100	W3	5P CONNECTOR		TJS2A8340	B	
GU863200	W4	6P CONNECTOR		TJS2A8350	B	
GU862700	W5	10P CONNECTOR		TJS1A8160	B	
GU867900	X601	CRYSTAL OSCILLATOR		TSS2002-D	B	
GU868000	X602	CRYSTAL OSCILLATOR		TSS2026-M	B	
	0	NUT		THN2933-2	C	
	0	SCREW		XTB4+10A	C	
	0	SCREW		XTB4+12J	C	
	0	SCREW		STB4+15A	C	
	0	SCREW		STB4+15AFZ	C	
	0	SCREW		XTB4+15JFZ	C	
	0	SCREW		STB4+20JFZ	C	
	0	SCREW		XTVS+10A	C	
	0	SCREW		XTV3+10AFZ	C	
	0	SCREW		XTV3+12A	C	
	0	SCREW		XTV3+6J	C	
	0	SCREW		STV3+8J	C	
	0	SCREW		XTV3+8JFZ	C	

OLYMPUS

OLYMPUS OPTICAL CO., LTD.

San-Ei Building, 22-2, Nishi Shinjuku 1-chome, Shinjuku-ku, Tokyo, Japan

OLYMPUS OPTICAL CO., (EUROPA) GMBH

Wendenstrasse 14-16, D-20097 Hamburg, Germany
(Letters: Postfach 104908, D-20034 Hamburg, Germany)

OLYMPUS AMERICA INC.

4 Nevada Drive, Lake Success, N. Y. 11042-1179, U.S.A.

KEYMED (MEDICAL & INSTRUMENT EQUIPMENT) LTD.

KeyMed House, Stock Road, Southend-on-Sea, Essex SS2 5QH, United Kingdom

OLYMPUS SINGAPORE PTE LTD

BLK 211, Henderson Road No. 13-03, Henderson Industrial Park, Singapore 0315