

HP Volume Shadowing for OpenVMS

OpenVMS Alpha 7.3-2

This manual supersedes Compaq Volume Shadowing for OpenVMS Version 7.3-1.



Manufacturing Part Number: AA-PVXMJ -TE

September 2003

© Copyright 2003 Hewlett-Packard Development Company, L.P.

Legal Notice

Proprietary computer software. Valid license from HP required for possession, use or copying. Consistent with FAR 12.211 and 12.212, Commercial Computer Software, Computer Software Documentation, and Technical Data for Commercial Items are licensed to the U.S. Government under vendor's standard commercial license.

The information contained herein is subject to change without notice. The only warranties for HP products and services are set forth in the express warranty statements accompanying such products and services. Nothing herein should be construed as constituting an additional warranty. HP shall not be liable for technical or editorial errors or omissions contained herein.

Oracle® is a registered US trademark of Oracle Corporation, Redwood City, California.

UNIX® is a registered trademark of The Open Group.

ZK5423

The HP OpenVMS documentation set is available on CD-ROM.

1. Introduction to Volume Shadowing for OpenVMS

Overview	15
Volume Shadowing Tasks and Operations	17
Hardware Environment	18
Memory Requirements	18
Supported Devices	19
Supported Configurations	20
Maximum Number of Shadow Sets	20
Shadowing System Disks	21
Using Minicopy in a Mixed-Version OpenVMS Cluster System	21
Using Minicopy in a Mixed-Architecture OpenVMS Cluster System	22
Shadow Sets, Bound Volume Sets, and Stripe Sets	22
Dynamic Volume Expansion	22
Using the /SIZE Qualifier With the INITIALIZE Command	23
When to Increase the Expansion Limit on Each Volume	23
Shadowing Disks Across an OpenVMS Cluster System	23
Installation	24

2. Configuring Your System for High Data Availability

Levels of High Data Availability Using Volume Shadowing	25
Repair and Recovery from Failures	26
Shadow Set Configurations	28

3. Preparing to Use Volume Shadowing

Configuration Tasks	35
Licensing Volume Shadowing for OpenVMS	36
Volume Shadowing Parameters	37
Guidelines for Using Volume Shadowing Parameters	38
Write Bitmap System Parameters	41
Setting System Parameters	42
Displaying System Parameters	43
Booting from a System Disk Shadow Set	43
Booting Satellite Nodes from an MSCP Served System Disk Shadow Set	44

4. Creating and Managing Shadow Sets Using DCL Commands

Allocating Devices	49
Creating a Shadow Set	49
Using INITIALIZE/SHADOW/ERASE to Streamline the Formation of a Shadow Set	50
Benefits and Side Effects of Using /ERASE	51
Requirements for Using INITIALIZE/SHADOW	51
INITIALIZE/SHADOW Examples	52
MOUNT Command Qualifiers for Shadowing	52
MOUNT Command Qualifiers Specific to Shadowing	53
Additional MOUNT Command Qualifiers Used for Shadowing	55
Creating a Shadow Set With /NOASSIST	56
Creating a Shadow Set With /SYSTEM and With /CLUSTER	56

Contents

Adding Shadow Set Members	57
Adding a Disk to an Existing Shadow Set.....	57
Creating a Two-Member Shadow Set and Adding a Third Member	57
Checking Status of Potential Shadow Set Members With /CONFIRM	57
Checking Status of Potential Shadow Set Members With /NOCOPY	58
Mounting a Shadow Set on Other Nodes in the Cluster	59
Reconstructing a Shadow Set With /INCLUDE	59
Mounting a Former Shadow Set Member as a Nonshadowed Disk.....	60
Specifying Disaster-Tolerant Management Attributes (Alpha Only)	60
How to Use the Multiple-Site SET DEVICE and DISMOUNT Command Qualifiers	66
Managing Copy and Merge Operations (Alpha Only)	67
Using /DEMAND_MERGE to Start a Merge Operation	71
SHOW SHADOW Management Functions	71
Removing Members and Dissolving Shadow Sets	73
Removing Members from Shadow Sets	73
Dissolving Shadow Sets	74
Dismounting Shadow Sets in Site-Specific Shutdown Procedures	74
Dismounting and Remounting With One Less Member for Backup	75
Displaying Information About Shadow Sets	75
Listing Shadow Sets	76
Listing Shadow Set Members	76
SHOW DEVICE Examples for Shadow Set Information	77
Using ANALYZE/DISK/SHADOW to Examine a Shadow Set.....	80
Displaying Shadow Set Information With SDA	82
Obtaining Shadow Set Information With F\$GETDVI	85

5. Creating and Managing Shadow Sets with System Services

Using \$MOUNT to Create and Mount Shadow Sets	89
\$MOUNT Shadow Set Item Codes	90
MNT\$_FLAGS Item Code	90
MNT\$_SHANAM Item Code	91
MNT\$_SHAMEM Item Code.....	91
Points to Remember When Constructing a \$MOUNT Item List	92
Using \$MOUNT to Mount Volume Sets	92
Using \$DISMOU to Dismount Shadow Sets	93
Removing Members from Shadow Sets	93
Dismounting and Dissolving Shadow Sets	94
Setting \$DISMOU Flags for Shadow Set Operations.....	95
Evaluating Condition Values Returned by \$DISMOU and \$MOUNT	96
Using \$GETDVI to Obtain Information About Shadow Sets	96
\$GETDVI Shadow Set Item Codes	97
Obtaining the Device Names of Shadow Set Members	99

6. Ensuring Shadow Set Consistency

Shadow Set Consistency	101
Copy Operations.....	103

Unassisted Copy Operations	104
Assisted Copy Operations	104
Merge Operations	105
Unassisted Merge Operations	106
Assisted Merge Operations	106
Controlling HSC Assisted Copy and Minimerge Operations.....	108
What Happens to a Shadow Set When a System Fails?	109
Examples of Copy and Merge Operations.....	110

7. Using Minicopy for Backing Up Data (Alpha)

What Is Minicopy?	113
Different Uses for Copy and Minicopy	114
Why Use Minicopy?	115
Procedure for Using Minicopy.....	117
Minicopy Restrictions	117
Creating Write Bitmaps	119
Creating a Write Bitmap With DISMOUNT.....	119
Creating a Write Bitmap With MOUNT	119
Starting a Minicopy Operation	119
Master and Local Write Bitmaps	120
System Parameters for Managing Write Bitmap Messages and Shadow Set Limit	120
Managing Write Bitmaps With DCL Commands.....	121
Determining Write Bitmap Support and Activity.....	121
Displaying Write Bitmap IDs	122
Displaying Write Bitmap Status of Cluster Members	122
Deleting Write Bitmaps	123
Performance Implications of Write Bitmaps	123
Guidelines for Using a Shadow Set Member for Backup.....	123
Removing a Shadow Set Member for Backup.....	124
Data Consistency Requirements	124
Application Activity	124
RMS Considerations.....	124
Mapped Files.....	125
Database Systems.....	125
Base File System.....	126
\$QIO File Access and VIOC.....	126
Multiple Shadow Sets.....	126
Host-Based RAID	126
OpenVMS Cluster Operation.....	126
Testing.....	126
Restoring Data	126
Revalidation of Data Consistency Methods.....	127

8. Performing System Management Tasks on Shadowed Systems

Upgrading the Operating System on a System Disk Shadow Set.....	129
Procedure for Upgrading Your Operating System	129

Contents

Modifying Data on Individual Shadow Set Members	132
Performing Backup Operations on a Shadow Set	133
Restrictions on BACKUP Procedures	134
Using Copy Operations to Create a Backup	135
Using the OpenVMS Backup Utility	135
Using BACKUP/IMAGE on a Shadow Set	136
Crash Dumping to a Shadowed Disk	138

9. Performance Information for Volume Shadowing

Factors That Affect Performance of a Shadow Set	141
Performance During Steady State	141
Performance During Copy and Merge Operations	142
Improving Performance of Unassisted Merge Operations	144
Improving Performance for Merge and Copy Operations	145
Effects on Performance	145
Guidelines for Managing Shadow Set Performance	146
Striping (RAID) Implementation	147

A. Messages

Mount Verification Messages	149
OPCOM Message	149
Shadow Server Messages	150
VOLPROC Messages	152

Glossary	155
-----------------------	------------

Index	157
--------------------	------------

Table 1-1. Main Volume Shadowing Tasks, Operation Name, and Related Software	17
Table 2-1. Types of Failures.	27
Table 3-1. Volume Shadowing Parameters	37
Table 3-2. SHADOWING Parameter Settings	38
Table 3-3. System Parameter Settings for Multipath Shadow Sets	40
Table 3-4. Write Bitmap System Parameters.	42
Table 4-1. MOUNT Command Qualifiers (Shadowing Specific)	53
Table 4-2. Additional MOUNT Command Qualifiers (Not Shadowing Specific)	55
Table 4-3. SET DEVICE Command Qualifiers for Multiple-Site Shadow Set Members.	60
Table 4-4. SET SHADOW Command Qualifiers for Multiple-Site Shadow Set Members.	68
Table 4-5. ANALYZE/DISK/SHADOW Command Qualifiers	81
Table 4-6. F\$GETDVI Item Codes for Volume Shadowing	86
Table 5-1. \$DISMOU Flag Options	95
Table 5-2. SYS\$GETDVI Item Codes	97
Table 6-1. Information in the Storage Control Block (SCB)	102
Table 7-1. Comparison of Minicopy and Full Copy Performance.	115
Table 7-2. Comparison of Minicopy and Hardware-Assist (DCD) Copy Performance	116
Table 9-1. RAID Levels	147

Figure 1-1. Virtual Unit	15
Figure 1-2. Elements of a Shadow Set	16
Figure 1-3. Shadow Sets Accessed Through the MSCP Server	24
Figure 2-1. Levels of Availability	26
Figure 2-2. Configuration of a Shadow Set (One System, One Adapter)	29
Figure 2-3. Configuration of a Shadow Set (One System, Two Adapters)	29
Figure 2-4. Configuration of a Shadow Set (OpenVMS Cluster, Dual Adapters)	30
Figure 2-5. Configuration of a Shadow Set (Highly Available OpenVMS Cluster)	31
Figure 2-6. Configuration of a Shadow Set (Multiple Star Couplers, Multiple HSJ Controllers)	32
Figure 2-7. Configuration of a Shadowed FDDI Multiple-Site Cluster	33
Figure 2-8. Configuration of a Shadowed Fibre Channel Multiple-Site Cluster	34
Figure 3-1. Booting Satellite Nodes	46
Figure 4-1. Multiple-Site OpenVMS Cluster System With FC and LAN Interconnects	66
Figure 7-1. Application Writes to a Shadow Set	113
Figure 7-2. Application Writes to a Write Bitmap	114
Figure 7-3. Member Returned to the Shadow Set (Virtual Unit)	114

Preface

This manual explains how to use HP Volume Shadowing for OpenVMS to replicate data transparently on multiple disks and to provide high data availability.

Intended Audience

This book is intended for system managers and system users who want to:

- Understand how Volume Shadowing for OpenVMS works
- Configure shadowed data storage subsystems to maximize data availability
- Set up and manage shadow sets
- Enhance shadow set performance

Although you do not need any previous volume shadowing experience to use the volume shadowing software or this documentation, you do need a familiarity with the OpenVMS operating system, the OpenVMS Mount utility or OpenVMS system services, and setting system parameters.

Document Structure

The manual consists of the following chapters and appendix:

Chapter	Contents
Chapter 1	Introduces Volume Shadowing for OpenVMS and describes how it provides high data availability.
Chapter 2	Illustrates various shadow set configurations.
Chapter 3	Describes how to set up a volume shadowing environment, including information about setting shadowing system parameters, booting a system that uses a system disk in a shadow set, and booting satellite nodes from a shadowed system disk.
Chapter 4	Describes how to use DCL commands to create, mount, dismount, and dissolve shadow sets. The chapter also describes how to use the SHOW DEVICES command, the System Dump Analyzer, and the F\$GETDVI lexical function to obtain information about shadow sets on a running system.
Chapter 5	Describes how to use the OpenVMS system services in a user-written program to create and manage shadow sets. The chapter also describes how to use the \$GETDVI system service to obtain information about shadow sets.
Chapter 6	Describes how the copy and merge operations maintain data consistency and availability during changes in shadow set membership.
Chapter 7	Describes how the minicopy operation can be used, in a carefully controlled environment, to shorten the time required for a member to be returned to a shadow set. Typically, the member is removed for backing up data.
Chapter 8	Describes how to perform system management tasks on shadow sets, including performing backup and upgrade operations, performing shadowing operations in OpenVMS Cluster systems, and handling crash dumps on the shadow set.

Chapter	Contents
Chapter 9	Includes helpful information and guidelines for achieving better performance from shadow sets.
Appendix A	Lists messages related to volume shadowing that are returned by the Mount utility and the VOLPROC, shadow server, and OPCOM facilities.
Glossary	Lists the terms used in this manual with definitions.

Related Documents

The following documents contain information related to this manual:

- OpenVMS License Management Utility Manual
- OpenVMS Cluster Systems
- Guidelines for OpenVMS Cluster Configurations
- HP OpenVMS DCL Dictionary
- HP OpenVMS System Manager's Manual
- HP OpenVMS System Management Utilities Reference Manual
- OpenVMS Alpha System Analysis Tools Manual
- HP OpenVMS System Services Reference Manual

For additional information about HP OpenVMS products and services, see the following World Wide Web address:

<http://www.hp.com/go/openvms>

Reader's Comments

HP welcomes your comments on this manual.

Please send comments to either of the following addresses:

Internet: openvmsdoc@hp.com

Postal Mail:
Hewlett-Packard Company
OSSG Documentation Group
ZK03-4/U08
110 Spit Brook Road
Nashua, NH 03062-2698

How to Order Additional Documentation

For information about how to order additional documentation, visit the following World Wide Web address :

<http://www.hp.com/go/openvms>

Conventions

The following conventions may be used in this manual:

Convention	Meaning
Ctrl/x	A sequence such as Ctrl/x indicates that you must hold down the key labeled Ctrl while you press another key or a pointing device button.
PF1 x	A sequence such as PF1 x indicates that you must first press and release the key labeled PF1 and then press and release another key (x) or a pointing device button.
Return	In examples, a key name in bold indicates that you press that key.
...	A horizontal ellipsis in examples indicates one of the following possibilities: <ul style="list-style-type: none">– Additional optional arguments in a statement have been omitted.– The preceding item or items can be repeated one or more times.– Additional parameters, values, or other information can be entered.
.	A vertical ellipsis indicates the omission of items from a code example or command format; the items are omitted because they are not important to the topic being discussed.
()	In command format descriptions, parentheses indicate that you must enclose choices in parentheses if you specify more than one.
[]	In command format descriptions, brackets indicate optional choices. You can choose one or more items or no items. Do not type the brackets on the command line. However, you must include the brackets in the syntax for OpenVMS directory specifications and for a substring specification in an assignment statement.
	In command format descriptions, vertical bars separate choices within brackets or braces. Within brackets, the choices are optional; within braces, at least one choice is required. Do not type the vertical bars on the command line.
{ }	In command format descriptions, braces indicate required choices; you must choose at least one of the items listed. Do not type the braces on the command line.
bold type	Bold type represents the introduction of a new term. It also represents the name of an argument, an attribute, or a reason.
italic type	Italic type indicates important information, complete titles of manuals, or variables. Variables include information that varies in system output (Internal error number), in command lines (/PRODUCER=name), and in command parameters in text (where (dd) represents the predefined par code for the device type).
UPPERCASE TYPE	Uppercase type indicates a command, the name of a routine, the name of a file, or the abbreviation for a system privilege.

Convention	Meaning
Example	This typeface indicates code examples, command examples, and interactive screen displays. In text, this type also identifies URLs, UNIX command and pathnames, PC-based commands and folders, and certain elements of the C programming language.
-	A hyphen at the end of a command format description, command line, or code line indicates that the command or statement continues on the following line.
numbers	All numbers in text are assumed to be decimal unless otherwise noted. Nondecimal radices—binary, octal, or hexadecimal—are explicitly indicated.

1 Introduction to Volume Shadowing for OpenVMS

This chapter introduces Volume Shadowing for OpenVMS and describes how volume shadowing, sometimes referred to as disk mirroring, achieves high data availability.

Overview

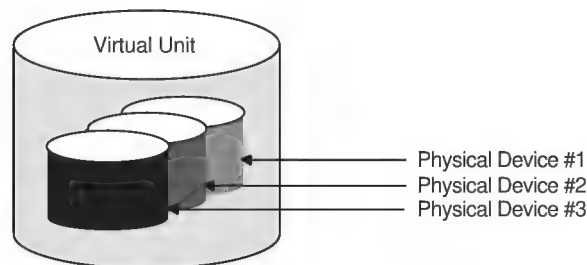
Volume Shadowing for OpenVMS ensures that data is available to your applications and end users by duplicating data on multiple disks. Because the same data is recorded on multiple disk volumes, if one disk fails, the remaining disk or disks can continue to service I/O requests.

An implementation of RAID 1 (redundant arrays of independent disks) technology, Volume Shadowing for OpenVMS prevents a disk device failure from interrupting system and application operations. By duplicating data on multiple disks, volume shadowing transparently prevents your storage subsystems from becoming a single point of failure because of media deterioration or communication path failure, or through controller or device failure.

Any entity that is designated as a disk class device to OpenVMS is a device that can be used in a shadow set. You can mount one, two, or three identical-size disk volumes, including the system disk, to form a **shadow set**. Starting with OpenVMS Alpha Version 7.3-2, disk volumes can differ in the number of physical blocks (see "Supported Devices" on page 19). Each disk in the shadow set is a shadow set **member**. Volume Shadowing for OpenVMS logically binds the shadow set disks together and represents them as a single virtual device called a **virtual unit**, as shown in Figure 1-1. This means that the multiple members of the shadow set, represented by the virtual unit, appear to applications and users as a single, highly available disk.

Note that the term disk and device are used interchangeably throughout this manual to refer to a disk volume. A disk volume is a disk that was prepared for use by placing a new file structure on it.

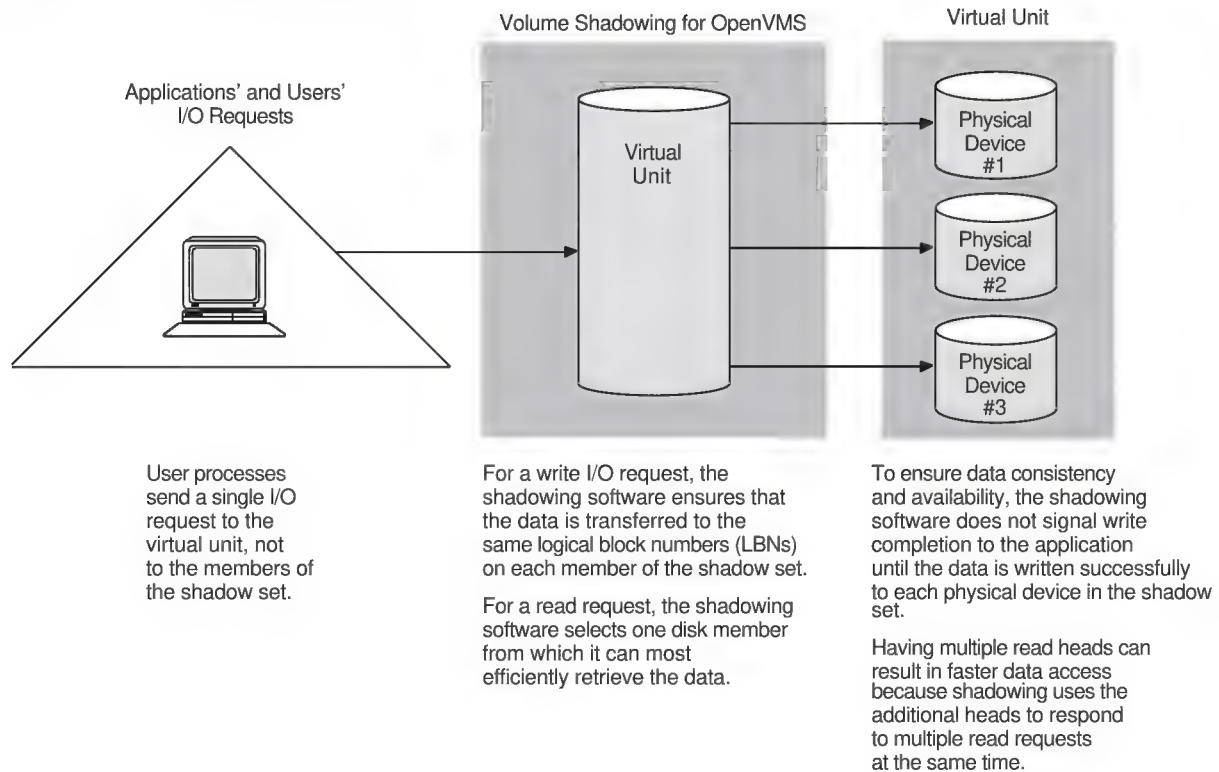
Figure 1-1 **Virtual Unit**



ZK5156AGE

Figure 1-2 shows how Volume Shadowing for OpenVMS propagates data through the virtual unit to three individual shadow set members.

Overview

Figure 1-2 Elements of a Shadow Set

ZK5879AGE

An additional benefit of volume shadowing is its potential role in repairing data. For example, if data on a shadow set member becomes unreadable, the shadowing software can read the data from another member. Before the good data is returned to the process, it is written to the member that could not originally read it.

NOTE Remember that volume shadowing protects against hardware problems that cause a disk volume to be a single point of failure for both applications and systems that use the disk. Volume shadowing does not provide for recovery from software-related incidents, such as the accidental deletion of files or errant software corrupting the contents of a disk file. Do not use volume shadowing as a substitute for regular backup or journaling.

Prior to OpenVMS Version 6.2, two forms of volume shadowing were supported: host-based, also known as phase II shadowing, and controller-based, also known as phase I shadowing. Starting with OpenVMS Version 6.2, controller-based shadowing was discontinued --- Volume Shadowing for OpenVMS is host based only. Consequently, the term Phase II is no longer used in this manual.

Applications and users read and write data to and from a shadow set using the same commands and program language syntax and semantics that are used for nonshadowed I/O operations. System managers manage and monitor shadow sets using the same commands and utilities they use for nonshadowed disks. The only difference is that access is through the virtual unit, not to individual disk.

Volume Shadowing Tasks and Operations

The primary volume shadowing operations used to create shadow sets and to maintain consistent data on each member are mount, copy, assisted copy, minicopy (introduced with OpenVMS Version 7.3), merge, and minimerge. When these operations are in progress, the system continues to process read and write requests, thus providing continuous availability.

All volume shadowing operations, except for merges and minimerges, are under the control of the system manager. Merges and minimerges are started automatically by the volume shadowing software if a hardware or software failure occurs that could affect the consistency of the data on the shadow set members.

System managers turn on volume shadowing with the SHADOWING system parameter. They can control the number of concurrent merge or copy operations on a given node by the SHADOW_MAX_COPY system parameter. These volume shadowing system parameters, and all other system parameters used with volume shadowing, are described in “Volume Shadowing Parameters” on page 37 and in “Write Bitmap System Parameters” on page 41.

Volume Shadowing for OpenVMS is never invoked directly. Instead, you invoke the DCL commands MOUNT and DISMOUNT. The MOUNT command works with the volume shadowing software to create shadow sets. The DISMOUNT command works with the volume shadowing software to remove shadow set members and to dissolve entire shadow sets.

HSJ and HSC controllers, when present in a configuration, provide software assists for the minimerge and assisted copy operations.

OpenVMS also provides a programming interface for creating and managing shadow sets with the \$MOUNT, \$DISMOU, and \$GETDVI system services. This programming interface is described in Chapter 5, “Creating and Managing Shadow Sets with System Services,” on page 89.

Table 1-1 shows the main volume shadowing tasks, the operations associated with them, and the software used to perform the operation. These operations are described in more detail in Chapter 4, Chapter 6, and Chapter 7.

Table 1-1 Main Volume Shadowing Tasks, Operation Name, and Related Software

Task	Operation	Software Used
Create a single-member shadow set.	Mount	MOUNT/SHADOW command with the SHADOWING system parameter set.
Create a multiple-member shadow set	Mount and copy	MOUNT/SHADOW command with the SHADOWING system parameter set. When a second or third member is added, the shadowing software starts a copy operation automatically.
Remove a member from a shadow set.	Dismount a device	DISMOUNT command.
Dissolve a shadow set.	Dismount the shadow set (specify its virtual unit name)	DISMOUNT command.

Table 1-1 Main Volume Shadowing Tasks, Operation Name, and Related Software (Continued)

Task	Operation	Software Used
Ensure that the data is identical on all shadow set members in the event of a hardware failure.	Merge or minimerge	Shadowing software does this automatically when it detects a hardware or software failure. If an HSJ or HSC controller is present in the configuration, a minimerge might be done.
Return a dismounted shadow set member to the shadow set.	Copy, assisted copy, or minicopy	MOUNT command, with shadowing software that initiates either a copy or, if properly configured, a minicopy.

Hardware Environment

Volume Shadowing for OpenVMS does not depend on specific hardware in order to operate. All shadowing functions, with the exception of minicopy, can be performed on Alpha and VAX computers using the OpenVMS operating system. The minicopy operation can be performed only on an OpenVMS Alpha system. However, an OpenVMS VAX system can be a member of an OpenVMS Cluster system that uses this feature.

Volume shadowing requires a minimum of:

- One CPU
- One mass storage controller
- One of the following kinds of disk drives:
 - Digital Storage Architecture (DSA)
 - Small Computer Systems Interface (SCSI)
 - Fibre Channel

The following sections generically describe hardware support. See the HP Volume Shadowing for OpenVMS Software Product Description (SPD 27.29.xx) for more information.

Memory Requirements

Starting with OpenVMS Version 7.3, the following additional memory is required to run Volume Shadowing for OpenVMS:

- 24 KB per node are required on OpenVMS Alpha systems; 5 KB per node are required on OpenVMS VAX systems for the default settings of the SHADOW_MAX_UNIT system parameter. These requirements are in effect even if you do not use Volume Shadowing for OpenVMS, unless you change the default setting.

If this memory is not available, the node will not boot.

- 4.5 KB per shadow set per node is required.

This amount of memory is required before a write bitmap can be created. If this memory is not available, the mount fails (that is, the shadow set is not mounted on the node). The MOUNT command that fails will issue the following message:

```
%MOUNT-F-INSMEM, insufficient dynamic memory
```

- For every gigabyte of storage of a shadow set member, 2.0 KB per node is required for the write bitmaps for each shadow set mounted on a node. (Each shadow set can have up to six write bitmaps.) When calculating memory requirements, note that a two-member shadow set with 50 GB per member counts as 50 GB, not 100 GB.

For example, for a shadow set with 200 GB of storage per member, 420 KB of memory is required for its write bitmaps for every node in the cluster. If this memory is not available on the node where the write bitmap request occurs, the write bitmap is not created.

If the master write bitmap is created but sufficient memory is not available on another node on which the shadow set is subsequently mounted, a local write bitmap is not created. If the `WBM_OPCOM_LVL` system parameter is set to 1 (the default) or 2, the following OPCOM message is displayed:

```
Unable to allocate local bitmap - running in degraded mode.
```

Writes from nodes without local bitmaps are registered with the node on which the shadow set was first mounted.

These memory requirements are cumulative. For example, a system with 10 shadow sets mounted, with each shadow set consisting of 50-GB member disks, would require an additional 1,119 KB of memory. The calculation follows:

- 24 KB per node (regardless of whether you use volume shadowing)
- 45 KB (10 shadow sets x 4.5 KB per unit mounted on the system)
- 1000 KB (50 x 2.0 KB (per GB of disk size) x 10 shadow sets)
- 1069 KB total memory required

Supported Devices

The requirements for the physical disks that form a shadow set follow:

- Starting with OpenVMS Alpha Version 7.3-2, different size devices can be used to form a shadow set. This functionality is called dissimilar device shadowing (DDS). To use DDS, all systems that have mounted a shadow set whose members differ in size must be running OpenVMS Alpha Version 7.3-2.

Prior to OpenVMS Alpha Version 7.3-2, Volume Shadowing for OpenVMS required that all members of a shadow set be the same size, that is, that each member have the exact same number of blocks. The rapid advance of disk technology has made this requirement impractical. The flexibility of using different size devices outweighs the space that will be unused on the larger device.

Operationally, shadowing dissimilar devices means that you can add a larger disk device to an existing shadow set. The shadow set retains the file system size of the original shadow set. After adding a larger disk, if you remove a smaller disk, the geometry (cylinders, tracks, and sections) of the shadow set changes to the smallest remaining disk, but the logical volume size (that is, the file system size) is not changed.

All members of the shadow set must have a `MAXBLOCK` size equal to or greater than the logical volume size stored in the storage control block `SCB$L_VOLSIZE` of the shadow set. All mounted members will have this value. When the smaller volume is no longer needed, or if you need to increase the file system size of the shadow set, you can use the dynamic volume expansion (DVE) feature introduced in OpenVMS Alpha Version 7.3-2. Together, the features of DDS and DVE enable you to continually grow a logical volume without ever having to take it offline again. For more information about DVE, see “Dynamic Volume Expansion” on page 22.

Supported Configurations

You can determine the block size for each disk with the `SHOW DEVICE /FULL` command. The block size is displayed as `Total blocks nnnnnnnn`.

- Disks must be Files-11 On-Disk Structure Level 2 (ODS-2) or On-Disk Structure Level 5 (ODS-5) data disks. The Files-11 structure prepares a volume to receive and store data so that the operating system can locate it easily. Volume shadowing accepts I/O requests from users and applications through the Files-11 interface and shadows data to the individual shadow set members.
- Disks and controllers must be one of the following types:
 - StorageWorks Fibre Channel
 - StorageWorks SCSI
 - MSCP (mass storage control protocol) conformant
- Disk volumes cannot have hardware write protection enabled. Hardware write protection stops volume shadowing software from maintaining identical volumes.
- SCSI disks that do not implement READL and WRITEL have limited support because these disks do not provide for shadowing data repair (disk bad block errors) features. Such disks can cause members to be removed from the shadow set, if certain error conditions arise that cannot be corrected. See “Using SDA to Obtain Information About Third-Party SCSI Devices” on page 84 for how to determine whether a SCSI disk supports READL and WRITEL commands.

Supported Configurations

Volume Shadowing for OpenVMS provides data availability across the full range of configurations---from single nodes to large OpenVMS Cluster systems---so you can provide data availability where you need it most.

There are no restrictions on the location of shadow set members beyond the valid disk configurations defined in the SPDs for the OpenVMS operating system and for OpenVMS Cluster systems:

- For the OpenVMS Operating System: SPD 25.01.xx
- For OpenVMS Cluster Software: SPD 29.78.xx

If an individual disk volume is already mounted as a member of an active shadow set, the disk volume cannot be mounted as a standalone disk on another node.

Maximum Number of Shadow Sets

You can mount a maximum of 500 disks in two- or three-member shadow sets on a standalone system or in an OpenVMS Cluster system. A limit of 10,000 single member shadow sets is allowed on a standalone system or on an OpenVMS Cluster system. Dismounted shadow sets, unused shadow sets, and shadow sets with no write bitmaps allocated to them are included in this total. These limits are independent of controller and disk type. The shadow sets can be mounted as public or private volumes.

Starting with OpenVMS Version 7.3, the `SHADOW_MAX_UNIT` system parameter is available for specifying the maximum number of shadow sets that can exist on a node. For more information about `SHADOW_MAX_UNIT`, see “Volume Shadowing Parameters” on page 37 and “Guidelines for Using Volume Shadowing Parameters” on page 38.

Shadowing System Disks

You can shadow system disks as well as data disks. Thus, a system disk need not be a single point of failure for any system that boots from that disk. System disk shadowing becomes especially important for OpenVMS Cluster systems that use a common system disk from which multiple computers boot. Volume shadowing makes use of the OpenVMS distributed lock manager, and the quorum disk must be accessed before locking is enabled. Note that you cannot shadow quorum disks.

Alpha and VAX systems can share data on shadowed data disks, but separate system disks are required --- one for Alpha systems and one for VAX systems.

Obtaining Dump Files of Shadowed System Disk When Minicopy Is Used

If you use a minicopy operation to return a member to the shadow set and you are running OpenVMS Alpha Version 7.2-2 or Version 7.3, you must perform additional steps to access the dump file (SYSDUMP.DMP) from a system disk shadow set. This section describes these steps.

Starting with OpenVMS Alpha Version 7.3-1, this procedure is not required because of the /SHADOW_MEMBER qualifier that was introduced for the System Dump Analyzer (SDA). SDA (referenced in step 2) is the OpenVMS utility for analyzing dump files and is documented in the OpenVMS System Analysis Tools Manual.

When the primitive file system writes a crash dump, the writes are not recorded in the write bitmap data structure. Therefore, perform the following steps:

1. Check the console output at the time of the system failure to determine which device contains the system dump file.

The console displays the device to which the crash dump was written. That shadow set member contains the only full copy of that file.

2. Assign a low value to the member to which the dump was written by issuing the following command:

```
$ SET DEVICE/READ_COST=nnn $allo_class$ddcu
```

By setting the read cost to a low value on that member, any reads done by SDA or by the SDA command COPY are directed to that member. HP recommends setting /READ_COST to 1.

3. After you have analyzed or copied the system dump, you must return the read cost value of the shadow set member to the previous setting --- either the default setting assigned automatically by the volume shadowing software or the value you had previously assigned. If you do not, all read I/O is directed to the member with the READ_COST setting of 1, which can unnecessarily degrade read performance.

To change the READ_COST setting of a shadow set member to its default value, issue the following command:

```
$ SET DEVICE/READ_COST=0 DSAnnnn
```

Using Minicopy in a Mixed-Version OpenVMS Cluster System

To use the minicopy feature in a mixed-version OpenVMS Cluster system, every node in the cluster must use a version of OpenVMS that contains this feature. Minicopy is supported on OpenVMS Alpha Version 7.2-2, OpenVMS Alpha Version 7.3, and OpenVMS Alpha Version 7.3-1. OpenVMS VAX Version 7.3 provides limited support.

Using Minicopy in a Mixed-Architecture OpenVMS Cluster System

If you intend to use the minicopy feature in a mixed-architecture OpenVMS Cluster system, HP advises you to set the SHADOW_MAX_COPY system parameter to zero on all VAX systems. This setting prevents a copy from being performed on a VAX when the intent was to perform a minicopy on an Alpha. In a mixed-architecture cluster, it is possible, although highly unlikely, that a VAX system could be assigned the task of adding a member to a shadow set. Because a VAX system cannot perform a minicopy, it would perform a full copy instead. For more information about SHADOW_MAX_COPY, see “Volume Shadowing Parameters” on page 37.

Shadow Sets, Bound Volume Sets, and Stripe Sets

Shadow sets also can be constituents of a bound volume set or a stripe set. A bound volume set consists of one or more disk volumes that have been bound into a volume set by specifying the /BIND qualifier with the MOUNT command. “Shadowing Disks Across an OpenVMS Cluster System” on page 23 describes shadowing across OpenVMS Cluster systems. “Striping (RAID) Implementation” on page 147 contains more information about striping and how RAID (redundant arrays of independent disks) technology relates to volume shadowing.

Dynamic Volume Expansion

The basis of dynamic volume expansion is the one-time allocation of extra bitmap space to the maximum size that will ever be used on this volume. The current limit is 1 TB. The one-time allocation of extra bitmap space can be performed either at disk initialization time with the INITIALIZE/LIMIT command or on a mounted volume with the SET VOLUME/LIMIT command. By allocating extra bitmap space, you can later expand the logical volume size while the device is mounted by using SET VOLUME volume-name/SIZE=xxx command. (The logical volume size is the amount of disk space allocated to the file system.) For example, you might prepare a disk for 1 TB of storage (by allocating 1 TB of bitmap space) but use only 18 GB today. Next year, you might increase it to 36 GB, and so on, until you reach the maximum of 1 TB. By allocating the maximum size for storage on the disk, you can later increase the size of the volume without stopping the application or dismounting a disk.

To use the SET VOLUME/LIMIT command to allocate extra bitmap space, the disk must be mounted privately. However, once allocated, the volume can be expanded while the disk is mounted as shareable (MOUNT/SHARE).

You can allocate additional bitmap space whether or not the physical volume has room for expansion. The commands for allocating extra bitmap size and for expanding the volume size are available in OpenVMS Alpha Version 7.3-2. Volumes that use DVE can be used by any AlphaServer or VAX system running OpenVMS Version 7.2 or later. The following command allocates extra bitmap size on a new volume:

```
$ INITIALIZE/LIMIT $1$DGAnnn: ! Allocates 1 TB bitmap
```

The following command allocates extra bitmap size on a mounted volume:

```
$ SET VOLUME/LIMIT $1$DGAnnn
```

The default /LIMIT size for both commands is 1 TB, which is also the maximum size currently supported on OpenVMS. In special circumstances, you may want to specify less.

When additional physical storage is made available (either by adding a larger device to the shadow set and removing the smaller member, or by increasing the size on the storage subsystem), you can then enter the following command to increase the volume size:

```
$ SET VOLUME $1$DGAnnn/SIZE=xxxx
```

In this command syntax, *xxxx* represents the number of blocks.

NOTE If the volume of a shadow set is expanded to be larger than the physical size of a member, the smaller member can no longer be added back to the shadow set.

Using the /SIZE Qualifier With the INITIALIZE Command

You can use the /SIZE qualifier to create a file system that is smaller than the current physical size of the volume. If you have a 36-GB disk and you anticipate adding an 18-GB disk in the future, then you could initialize the disk with the following command:

```
$ INIT/SIZE=36000000 $1$DGAnnn
```

When to Increase the Expansion Limit on Each Volume

If you are adding a new volume to your system, increase the expansion limit on the volume when you initialize the disk with INITIALIZE/LIMIT. To increase the expansion limit on volumes already in use, plan to increase the expansion limit during the next convenient maintenance period using the command SET VOLUME/LIMIT.

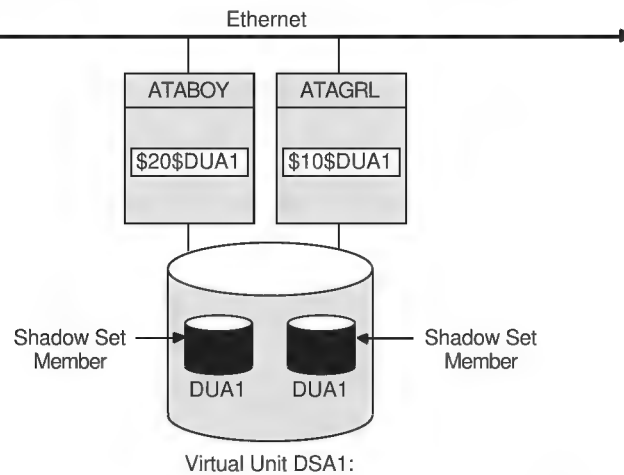
When you use the /LIMIT qualifier with the INITIALIZE or SET VOLUME command, you increase the BITMAP.SYS file by a few hundred blocks, which gives you much greater flexibility in the future. (If INITIALIZE/LIMIT is used, the default cluster size (for /CLUSTER_SIZE) is 8. This value controls how much space the bitmap occupies.) You can later expand the volume (using the SET VOLUME volume-name/SIZE=*xxxx* command) while the device is still mounted if your storage requirements grow unexpectedly.

Shadowing Disks Across an OpenVMS Cluster System

The host-based implementation of volume shadowing allows disks that are connected to multiple physical controllers to be shadowed in an OpenVMS Cluster system. There is no requirement that all members of a shadow set be connected to the same controller. Controller independence allows you to manage shadow sets regardless of their controller connection or their location in the OpenVMS Cluster system and helps provide improved data availability and flexible configurations.

For clusterwide shadowing, members can be located anywhere in an OpenVMS Cluster system and served by MSCP servers across any supported OpenVMS Cluster interconnect, including the CI (computer interconnect), Ethernet (10/100 and Gigabit), ATM, Digital Storage Systems Interconnect (DSSI), and Fiber Distributed Data Interface (FDDI). For example, OpenVMS Cluster systems using FDDI and wide area network services can be hundreds of miles apart, which further increases the availability and disaster tolerance of a system.

Figure 1-3 shows how shadow-set members are on line to local adapters located on different nodes. In the figure, a disk volume is local to each of the nodes ATABOY and ATAGRL. The MSCP server provides access to the shadow set members over the Ethernet. Even though the disk volumes are local to different nodes, the disks are members of the same shadow set. A member that is local to one node can be accessed by the remote node via the MSCP server.

Figure 1-3 Shadow Sets Accessed Through the MSCP Server

ZK2024AG E

The shadowing software maintains shadow sets in a distributed fashion on each node that mounts the shadow set in the OpenVMS Cluster system. In an OpenVMS Cluster environment, each node creates and maintains shadow sets independently. The shadowing software on each node maps each shadow set, represented by its virtual unit name, to its respective physical units. Shadow sets are not served to other nodes. When a shadow set must be accessed by multiple nodes, each node creates an identical shadow set. The shadowing software maintains clusterwide membership coherence for shadow sets mounted on multiple nodes. For shadow sets that are mounted on an OpenVMS Cluster system, mounting or dismounting a shadow set on one node in the cluster does not affect applications or user functions executing on other nodes in the system. For example, you can dismount the shadow set from one node in an OpenVMS Cluster system and leave the shadow set operational on the remaining nodes on which it is mounted.

Installation

Volume Shadowing for OpenVMS is a System Integrated Product (SIP) that you install at the same time that you install the operating system. Volume Shadowing requires its own license that is separate from the OpenVMS base operating system license. To use the volume shadowing software, you must install this license. All nodes booting from shadowed system disks must have shadowing licensed and enabled. See the instructions included in your current OpenVMS upgrade and installation manual.

See "Licensing Volume Shadowing for OpenVMS" on page 36 for more information about licensing Volume Shadowing for OpenVMS.

2 Configuring Your System for High Data Availability

System availability is a critical requirement in most computing environments. A dependable environment enables users to interact with their system when they want and in the way they want.

Levels of High Data Availability Using Volume Shadowing

A key component of overall system availability is availability or accessibility of data. Volume Shadowing for OpenVMS provides high levels of data availability by allowing shadow sets to be configured on a single-node system or on an OpenVMS Cluster system, so that continued access to data is possible despite failures in the disk media, disk drive, or disk controller. For shadow sets whose members are local to different OpenVMS Cluster nodes, if one node serving a shadow set member shuts down, the data is still accessible through an alternate node.

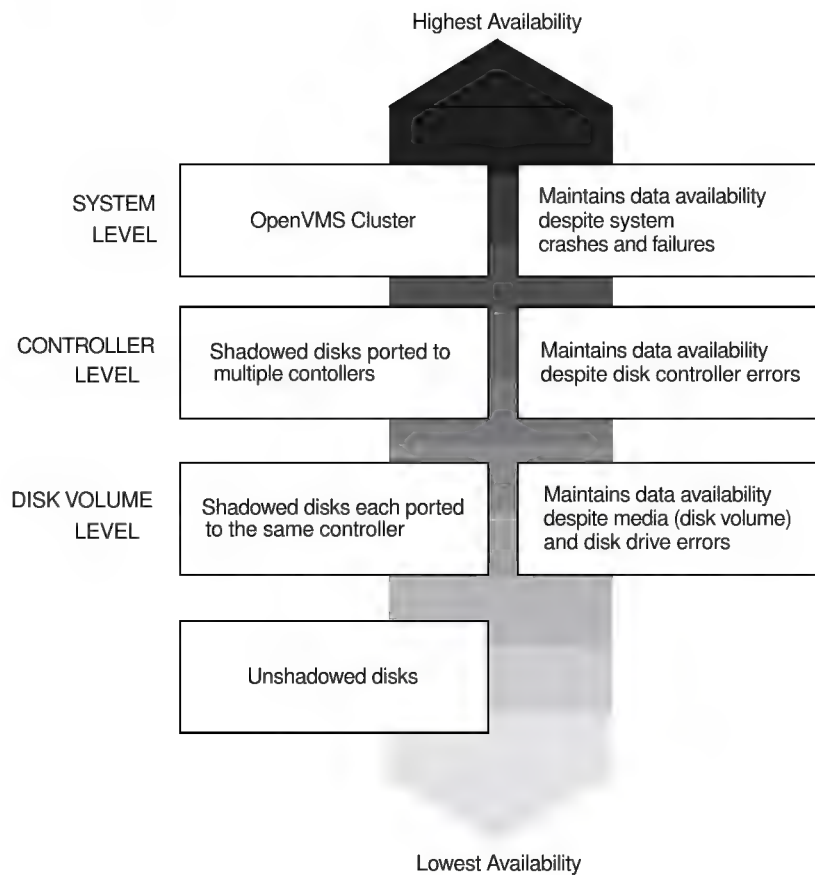
You can create a virtual unit, the system representation of a shadow set, that consists of only one disk volume. However, you must mount two or more disk volumes in order to “shadow,” that is, to maintain multiple copies of the same data. This configuration protects against either failure of a single disk drive or deterioration of a single volume. For example, if one member fails out of a shadow set, the remaining member can be used as a **source** disk whose data can be accessed by applications at the same time the data is being copied to a newly mounted **target** disk. Once the data is copied, both disks contain identical information and the target disk becomes a source member of the shadow set.

Using two controllers provides a further guarantee of data availability in the event of a single-controller failure. When setting up a system with volume shadowing, you should connect each disk drive to a different controller I/O channel whenever possible. Separate connections help protect against either failure of a single controller or of the communication path used to access it.

Using an OpenVMS Cluster system (as opposed to a single-node environment) and multiple controllers provides the greatest data availability. Disks that are connected to different local controllers and disks that are MSCP-served by other OpenVMS systems can be combined into a single shadow set, provided the disks are compatible and no more than three are combined.

Figure 2-1 provides a qualitative, high-level classification of how you can achieve increasing levels of physical data availability in different types of configurations.

Figure 2-1 **Levels of Availability**



VM-0702A-AI

“Repair and Recovery from Failures” describes how you can configure your shadowed system to achieve high data availability despite physical failures.

Repair and Recovery from Failures

Volume shadowing failures, some of which are automatically recoverable by the volume shadowing software, are grouped into the following categories:

- Controller errors
- Device errors
- Data errors
- Connectivity failures

The handling of shadow set recovery and repair depends on the type of failure that occurred and the hardware configuration. In general, devices that are inaccessible tend to fail over to other controllers whenever possible. Otherwise, they are removed from the shadow set. Errors that occur as a result of media defects can often be repaired automatically by the volume shadowing software.

Table 2-1 describes these failure types and recovery mechanisms.

Table 2-1 **Types of Failures**

Type	Description
Controller error	Results from a failure in the controller. If the failure is recoverable, processing continues and data availability is not affected. If the failure is nonrecoverable, shadow set members connected to the controller are removed from the shadow set, and processing continues with the remaining members. In configurations where disks are dual-pathed between two controllers, and one controller fails, the shadow set members fail over to the remaining controller and processing continues.
Device error	Signifies that the mechanics or electronics in the device failed. If the failure is recoverable, processing continues. If the failure is nonrecoverable, the node that detects the error removes the device from the shadow set.
Data errors	Results when a device detects corrupt data. Data errors usually result from media defects that do not cause the device to be removed from a shadow set. Depending on the severity of the data error (or the degree of media deterioration), the controller takes one of the following actions: <ul style="list-style-type: none"> • Corrects the error and returns valid data. • Corrects the data and, depending on the device and controller implementation, may revector it to a new logical block number (LBN). • Returns a parity error status to Volume Shadowing, which means the data cannot be read without error. <p>When data cannot be corrected by the controller, volume shadowing will attempt to replace the lost data by retrieving it from another shadow set member and writing the data to the member with the error. This repair operation is synchronized within the cluster and with the application I/O stream. If the operation fails, then the member with the error is removed from the shadow set.</p>

Table 2-1 Types of Failures (Continued)

Type	Description
Connectivity failures	<p>When a connectivity failure occurs, the first node to detect the failure must decide how to recover from the failure in a manner least likely to affect the availability or consistency of the data. As each node discovers the recoverable device failure, it determines its course of action as follows:</p> <ul style="list-style-type: none"> • If at least one member of the shadow set is accessible by the node that detected the error, that node will attempt to recover from the failure. The node repeatedly attempts to access the failed shadow set member within the period of time specified by the system parameter SHADOW_MBR_TMO. (This time period could be either the default setting or a different value previously set by the system manager.) If access to the failed disk is not established within the time specified by SHADOW_MBR_TMO, the disk is removed from the shadow set. • If no members of a shadow set can be accessed by the node, that node does not attempt to make any adjustments to the shadow set membership. Rather, it assumes that another node, which does have access to the shadow set, will make appropriate corrections. <p>The node will attempt to access the shadow set members until the period of time designated by the system parameter MVTIMEOUT expires. (This time period could be the default setting or a different value previously set by the system manager.) After the time expires, all application I/O is returned with the following error status message:</p> <pre style="margin-left: 40px;">-SYSTEM-F-VOLINV, Volume is not software enabled</pre>

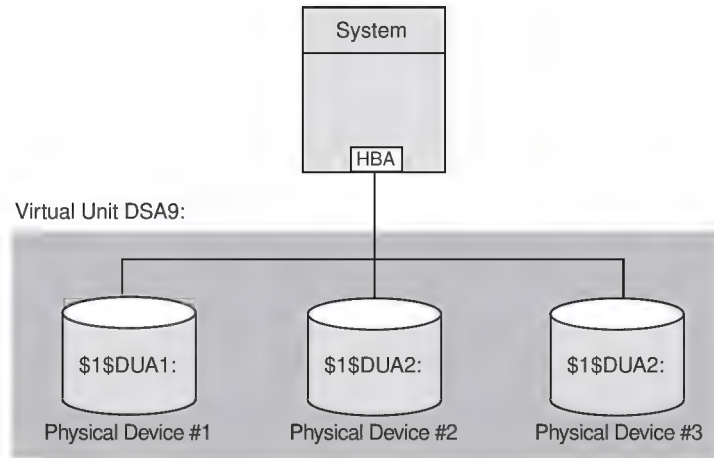
Shadow Set Configurations

To illustrate the various levels of data availability obtainable through Volume Shadowing for OpenVMS, this section provides a representative sample of hardware configurations. Figure 2-2 through Figure 2-7 show possible system configurations for shadow sets. The hardware used to describe the sample systems, while intended to be representative, is hypothetical; they should be used only for general observations about availability and not as a suggestion for any specific configurations or products.

In all the following examples, the shadow set members use the \$allocation-dass\$ddcu: naming convention. The virtual unit uses the DSA_n: format, where _n represents a number between 0 and 9999. These naming conventions are described in more detail in “Creating a Shadow Set” on page 49.

Figure 2-2 shows one system with one host-based adapter (HBA). The shadow set consists of three disks. This configuration provides coverage against media errors and against the failure of one or two disks.

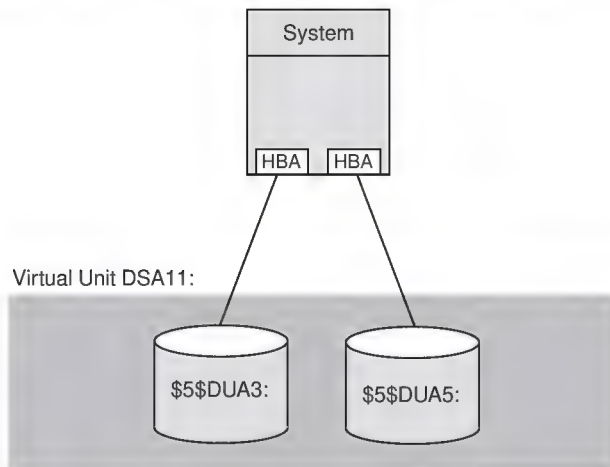
Figure 2-2 Configuration of a Shadow Set (One System, One Adapter)



VM-0554A-AI

Figure 2-3 shows one system with two adapters. In this configuration, each disk in the shadow set is connected to a different adapter. In addition to providing coverage against media errors or disk failures, this type of configuration provides continued access to data in spite of the failure of either one of the adapters.

Figure 2-3 Configuration of a Shadow Set (One System, Two Adapters)

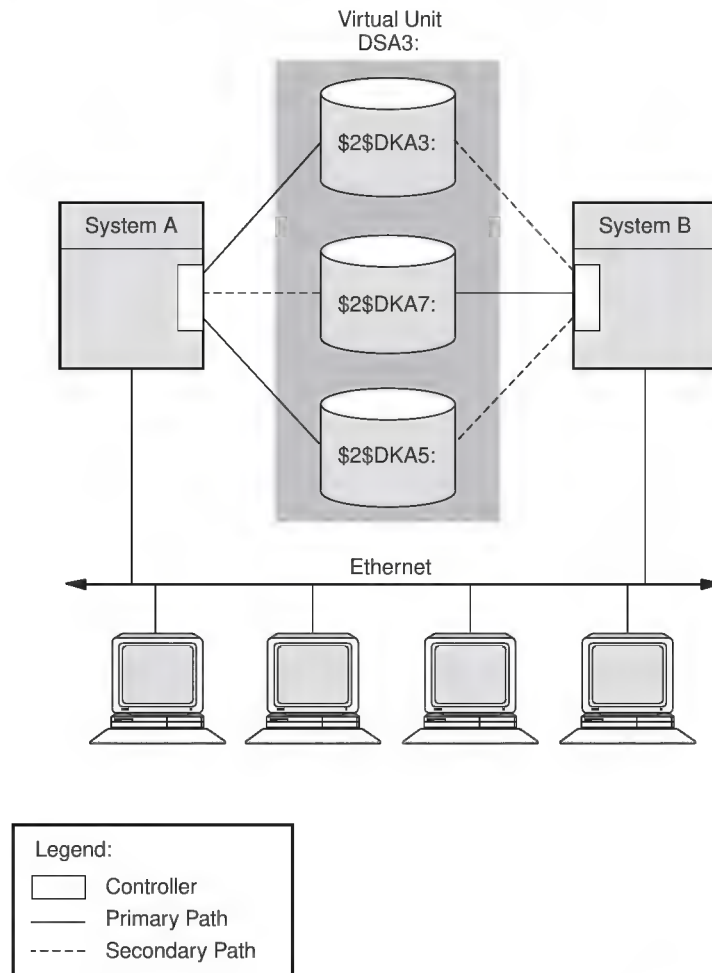


VM-0555A-AI

Figure 2-4 shows two systems, both connected to the same three-member shadow set. Each shadow set member is connected by dual paths to two adapters. The shadow set is accessible with either one or both systems operating. In this configuration, a disk can be on line to only one adapter at a time. For example, \$2\$DKA5 is on line (primary path) to System A. As a result, System B accesses \$2\$DKA5 by means of the MSCP server on System A. If System A fails, \$2\$DKA5 fails over to the adapter on System B.

Different members of the shadow set can fail over between adapters independently of each other. The satellite nodes access the shadow set members by means of the MSCP servers on each system. Satellites access all disks over primary paths, and failover is handled automatically.

Figure 2-4 Configuration of a Shadow Set (OpenVMS Cluster, Dual Adapters)

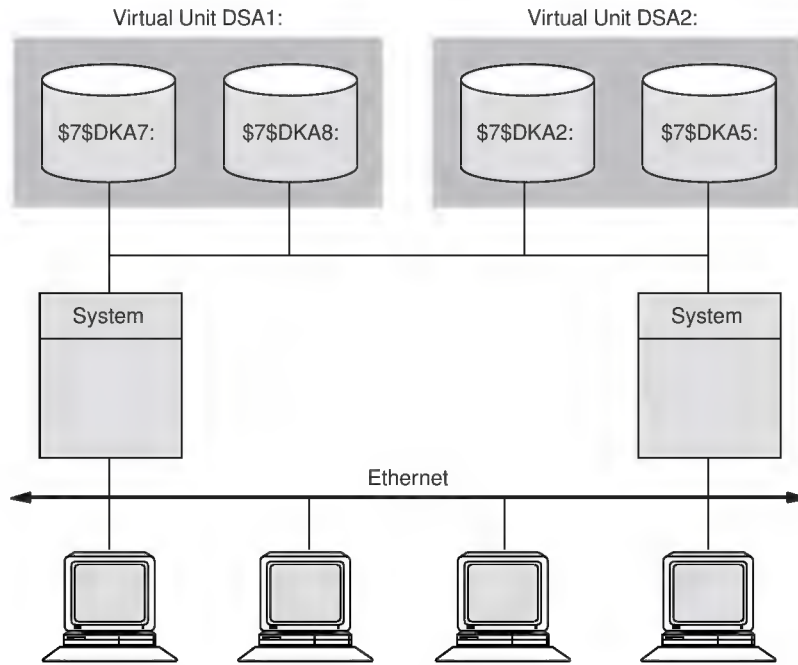


VM-0556A-AI

Figure 2-5 shows an OpenVMS Cluster system with two systems connected to multiple disks. Virtual units DSA1: and DSA2: represent the two shadow sets and are accessible through either system. This configuration offers both an availability and a performance advantage. The shadow sets in this configuration are highly available because the satellite nodes have access through either system. Thus, if one system fails, the satellites can access the shadowed disks through the remaining system.

In addition, this configuration offers a performance advantage by using another interconnect for I/O traffic that is separate from the Ethernet. In general, you can expect better I/O throughput from this type of configuration than from an Ethernet-only OpenVMS Cluster system.

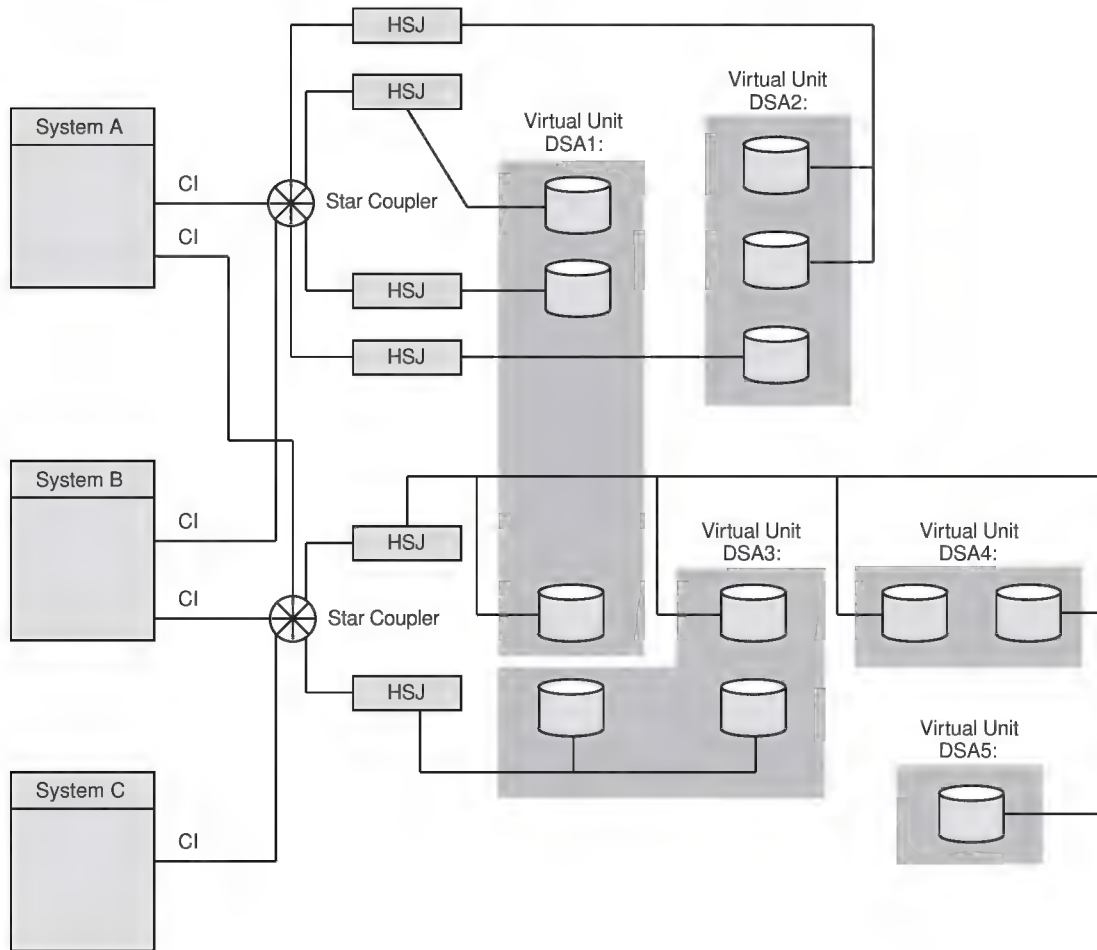
Figure 2-5 Configuration of a Shadow Set (Highly Available OpenVMS Cluster)



VM-0557A-A1

Figure 2-6 illustrates how shadowed disks can be located anywhere in an OpenVMS Cluster system. The figure presents a cluster system with three nodes, multiple HSJ controllers, and multiple shadow sets that are accessible by any node. The shadow sets are accessible when three nodes, two nodes, and, in some cases, only one node is operating. The exception is if System A and System B fail, leaving only System C running. In this case, access to the secondary star coupler is lost, preventing access to the DSA2: shadow set. Note that DSA1: would still be accessible, but it would be reduced to a one-member shadow set.

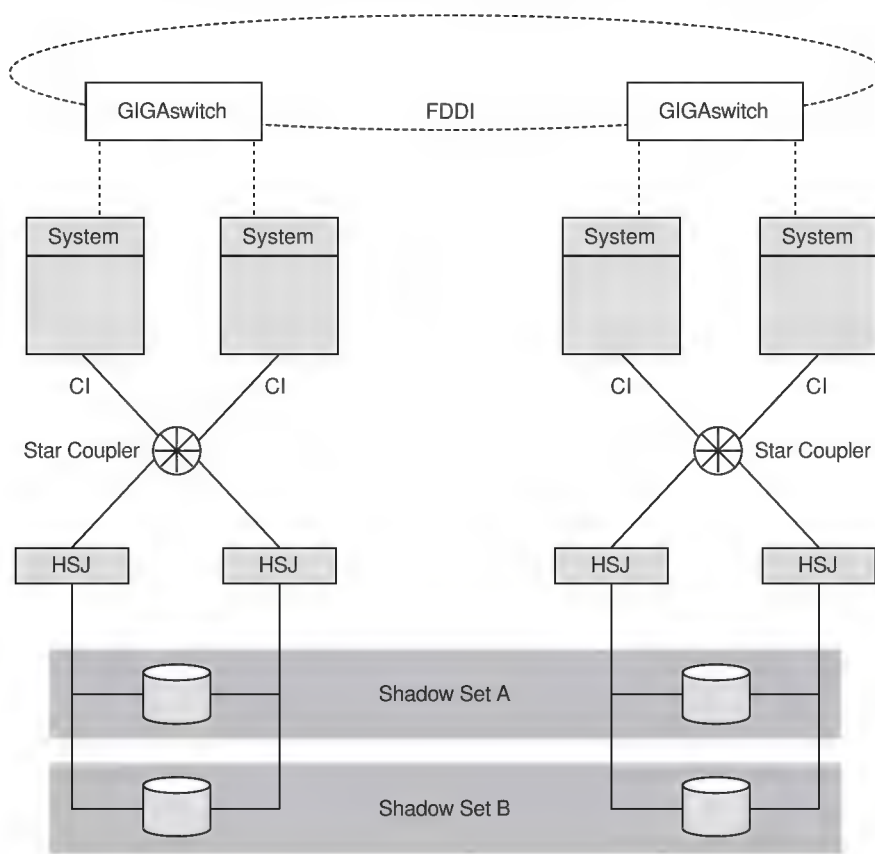
Figure 2-6 Configuration of a Shadow Set (Multiple Star Couplers, Multiple HSJ Controllers)



VM-0405A-A1

Figure 2-7 illustrates how the FDDI (Fiber Distributed Data Interface) interconnect allows you to shadow data disks over long distances. Members of each shadow set are configured between two distinct and widely separated locations --- a multiple-site OpenVMS Cluster system. The OpenVMS systems and shadowed disks in both locations function as a single OpenVMS Cluster system and shadow set configuration. If a failure occurs at either site, the critical data is still available at the remaining site.

Figure 2-7 Configuration of a Shadowed FDDI Multiple-Site Cluster

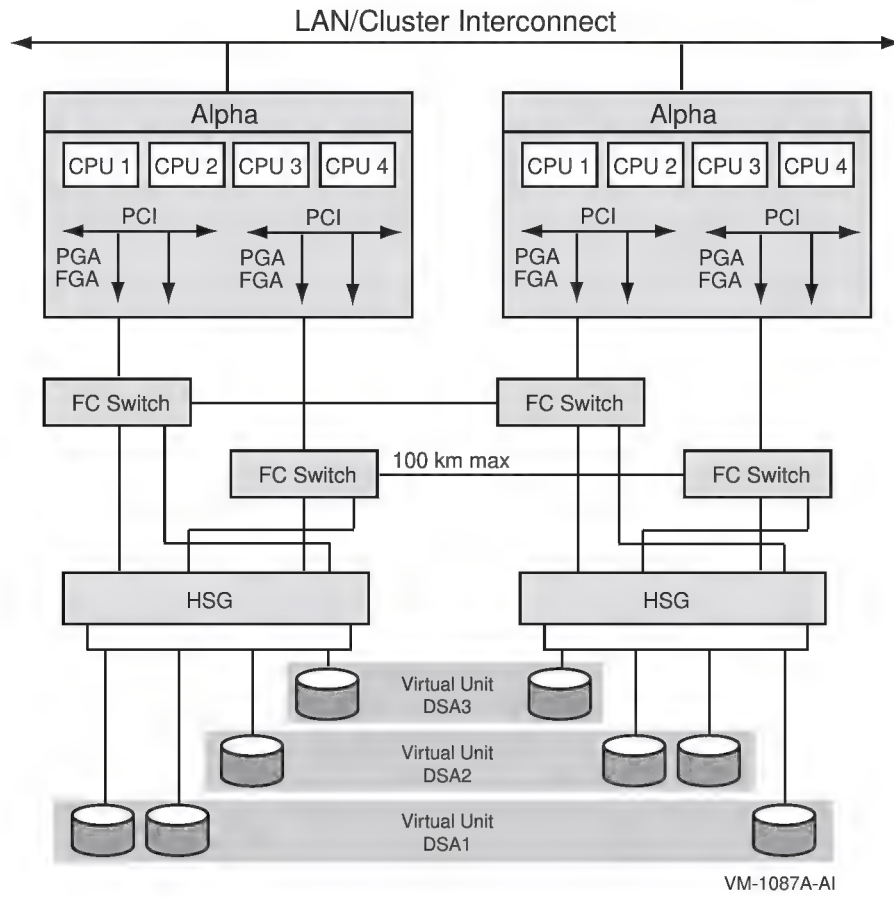


VM-0701A-AI

NOTE Systems other than satellite nodes are unable to boot from disks that are located remotely across an Ethernet or FDDI LAN. Therefore, these systems require local access to their system disk. Note that this restriction limits the ability to create system disk shadow sets across an FDDI or Ethernet LAN.

Figure 2-8 shows the use of shared Fibre Channel storage in a multiple-site OpenVMS Cluster system with shadowed disks. Members of the shadow set are configured between two widely separated locations. The configuration is similar to Figure 2-7, except that the systems at each site use shared Fibre Channel storage.

Figure 2-8 Configuration of a Shadowed Fibre Channel Multiple-Site Cluster



3 Preparing to Use Volume Shadowing

This chapter explains the system management tasks required for using volume shadowing on your system, including licensing, setting system parameters, and booting.

Configuration Tasks

Once you have determined how to configure your shadow set, perform the following steps:

1. Select which of your disk drives you want to shadow. Prepare the selected volumes for mounting by physically placing the volumes in the drives (for removable media disks). Ensure the disks are not write locked.
2. Consider whether or not you want to initialize the volumes you have chosen to shadow. Do not initialize volumes that contain useful data.

If you are creating a new shadow set, you can initialize one volume at a time, or multiple volumes with one command, which can streamline the creation of a shadow set (see “Using INITIALIZE/SHADOW/ERASE to Streamline the Formation of a Shadow Set” on page 50). When you initialize one volume at a time, you can give it a volume label that you want to use for the shadow set. When you later mount additional volumes into the shadow set, each volume will be initialized and will be given the same volume label automatically.

3. Install the Volume Shadowing for OpenVMS licenses. See “Licensing Volume Shadowing for OpenVMS” on page 36 for more information.
4. Set the SHADOWING parameter to enable volume shadowing on each node that will use volume shadowing. See “Volume Shadowing Parameters” on page 37 for more information.
Setting the SHADOWING parameter requires that you reboot the system.
5. Set the ALLOCLASS parameter to a nonzero value. This parameter enables the use of allocation classes in device names. You must include a nonzero allocation class in the device name of shadowed disks. For more information, see “Creating a Shadow Set” on page 49.
6. Dismount the disk drives you selected for the shadow set and remount them (along with the additional shadow set disk drives) as shadow set members. Note that:
 - You do not need to change the device volume labels and logical names.
 - If you use mount command files, ensure that the commands mount the physical devices using the appropriate naming syntax for virtual units (DSAn:).

For more information on the MOUNT command, see Chapter 4.

System disks can be shadowed. All nodes booting from that system disk must have shadowing licensed and enabled.

Licensing Volume Shadowing for OpenVMS

To use the volume shadowing product, you must purchase the license separately from the OpenVMS operating system even though the volume shadowing software is part of the OpenVMS operating system.

Volume shadowing licenses are available in two options:

- Per disk license, which enables you to license each disk that you plan to include in the shadow set. One example of how this option might be more cost effective is in a cluster where you intend to shadow only a small number of disks.
- Capacity license (per CPU), which may be more attractive to those who have larger systems with many more disks to shadow.

Both options work on the same system or in an OpenVMS Cluster that contains both Alpha and VAX computers.

After licensing the OpenVMS operating system by registering a OpenVMS Product Authorization Key (PAK), you must license Volume Shadowing for OpenVMS with a separate volume shadowing PAK. The PAK provides information that defines the Volume Shadowing for OpenVMS license contract you have with HP. Obtain a PAK from your HP sales representative.

When you enter information from the PAK into the online LICENSE database, the OpenVMS License Management Facility (LMF) authorizes the use of volume shadowing.

If you have a per disk license, you must register and activate a license for each shadowed disk. Starting with Volume Shadowing for OpenVMS Version 7.1, a license check for each disk that is shadowed using the per-disk volume shadowing license is included. Per-disk volume shadowing licenses apply to full shadow set members only. When the number of shadow set members exceeds the number of per-disk licenses for five minutes, shadowing issues an OPCOM warning message. You can have this message also sent to an e-mail account by defining the system logical SHADOW_SERVER\$MAIL_NOTIFICATION to a standard OpenVMS Mail address or an internet address. An invalid address will not generate a failure message.

Shadowing issues notification again 59 minutes after noncompliant shadow set members are mounted. One minute later, shadow set members are automatically removed from shadow sets until the number of members equals the number of licenses. Members are removed systematically from multiple-member shadow sets; single-member shadow sets will not be affected.

Disks that are the target of a copy operation do not consume a license unit until the copy is complete. Thus it is always possible to obtain a copy of a single-member shadow set.

If you are using capacity licenses, you must register and activate a license for Volume Shadowing for OpenVMS on each node that mounts a shadow set, including satellites in an OpenVMS Cluster system. If you do not register and activate nodes or disks that will use volume shadowing, subsequent shadow set mount operations will not succeed and will display the error messages like the one in Example 3-1.

Example 3-1 Nodes Not Registered to Use Volume Shadowing

```
%LICENSE-E-NOAUTH, DEC VOLSHAD use is not authorized on this node
-LICENSE-F-NOLICENSE, no license is active for this software product
-LICENSE-I-SYSMGR, please see your system manager
```

For more information about the License Management Facility, refer to the OpenVMS Operating System Software Product Description (SPD 25.01.xx).

You can also consult the OpenVMS License Management Utility Manual.

After you register the volume shadowing PAK, you must set the shadowing parameters on each node where you want to enable shadowing.

Volume Shadowing Parameters

Table 3-1 lists the system parameters that are required to specify the use of Volume Shadowing for OpenVMS and the system parameters you can use to tailor the shadowing software on your system. These parameters were introduced with OpenVMS Version 7.1, except for ALLOCLASS, which was introduced earlier, and SHADOW_MAX_UNIT, which was introduced in OpenVMS Version 7.3. The term **dynamic** in Table 3-1 means that the active value can be changed on a running system. For more information about setting system parameters, see the HP OpenVMS System Manager's Manual.

OpenVMS Version 7.3 introduced four write bitmap system parameters (described in Table 3-4) and the volume shadowing system parameter SHADOW_MAX_UNIT. These system parameters support the shadowing minicopy operation, which is described in Chapter 7.

Table 3-1 **Volume Shadowing Parameters**

Parameter	Function	Range	Default	Dynamic
ALLOCLASS	Specifies the device allocation class for the system. When using Volume Shadowing for OpenVMS, a nonzero value is required.	0-255	0	No
SHADOWING	A value of 2 enables volume shadowing. See Table 3-4 on page 42 for a description of parameter values.	0, 2 ¹	0	No
SHADOW_MAX_COPY	Limits the number of concurrent merge or copy operations on a given node.	0—200	4	Yes
SHADOW_MAX_UNIT	Specifies the maximum number of shadow sets that can exist on a node. Dismounted shadow sets, unused shadow sets, and shadow sets with no write bitmaps allocated to them are included in this total.	10—10,000	100 on VAX; 500 on Alpha	No
SHADOW_MBR_TMO	Controls the amount of time the system tries to fail over physical members of a shadow set.	1—65,535 seconds	120	Yes
SHADOW_SITE_ID	On an Alpha system, allows a system manager to define a site value, which volume shadowing uses to determine the best device to perform reads, thereby improving performance.	1-255	No	Yes

Table 3-1 Volume Shadowing Parameters (Continued)

Parameter	Function	Range	Default	Dynamic
SHADOW_SYS_DISK	Allows system disk to be a shadow set and, optionally, enables a minimerge to occur. If a minimerge is enabled, the system must also be configured for writing to a nonshadowed, nonsystem disk of your choice.	0, 1, 4097 ¹	0	Yes
SHADOW_SYS_TMO	Controls the amount of time members of a system disk shadow set have to return to the set.	1--65,535 seconds	120	Yes
SHADOW_SYS_UNIT	Contains the virtual unit number of the system disk.	0--9999	0	No
SHADOW_SYS_WAIT	This parameter applies only to shadow sets that are currently mounted in the cluster. Controls the amount of time a booting system will wait for all members of a mounted system disk shadow set to become available.	1--65,535 seconds	480	Yes

¹ All other values are reserved for use by HP.

Guidelines for Using Volume Shadowing Parameters

This section provides guidelines for using volume shadowing parameters.

ALLOCLASS

The ALLOCLASS parameter is used to specify an allocation class that forms part of a device name. The purpose of allocation classes is to provide unique and unchanging device names. When using Volume Shadowing for OpenVMS on a single system or on an OpenVMS Cluster system, a nonzero allocation class value is required for each physical device in the shadow set. For more information about using allocation classes, see the OpenVMS Cluster Systems manual.

SHADOWING

The SHADOWING parameter enables or disables volume shadowing on your system, as shown in Table 3-2.

Table 3-2 SHADOWING Parameter Settings

Setting	Effect
0	Shadowing is not enabled. This is the default value.
2	Enables host-based shadowing. This setting provides shadowing of all disks that are located on a standalone system or on an OpenVMS Cluster system. Set SHADOWING to 2 on every node that will mount a shadow set, including satellite nodes.

SHADOW_MAX_COPY

The SHADOW_MAX_COPY parameter controls how many parallel copy and merge operations are allowed on a given node. (Copy and merge operations are described in Chapter 6.) This parameter provides a way to limit the number of copy and merge operations in progress at any one time.

The value of SHADOW_MAX_COPY can range from 0 to 200. The default value is specific to the OpenVMS version. You can determine the default value by looking at the parameter setting. When the value of the SHADOW_MAX_COPY parameter is 4, and you mount five multivolume shadow sets that all need a copy operation, only four copy operations can proceed. The fifth copy operation must wait until one of the first four copies completes.

Consider the following when choosing a value for the SHADOW_MAX_COPY parameter:

- CPU power
- Disk controller bandwidth
- Interconnect controller bandwidth
- Other work loads on the system

For example, the default value of 4 may be too high for a small node. (In particular, satellite nodes should have SHADOW_MAX_COPY set to a value of 0.) Too low a value for SHADOW_MAX_COPY unnecessarily restricts the number of operations your system can effectively handle and extends the amount of time it takes to merge all of the shadow sets.

SHADOW_MAX_COPY is a dynamic parameter. Changes to the parameter affect only future copy and merge operations; current operations (pending or already in progress) are not affected.

SHADOW_MAX_UNIT

The SHADOW_MAX_UNIT specifies the number of shadow sets that can exist on a node and determines the memory reserved for the write bitmap for each shadow set. (See “Memory Requirements” on page 18.) The important thing to note about this value is that any shadow set that has been created, regardless of whether it is in use, is included in this total. Because this is not a dynamic system parameter, you should be very careful when determining the value to use. If you need to change this parameter, you must reboot the system.

The default value for OpenVMS Alpha systems is 500; the default value for OpenVMS VAX systems is 100.

CAUTION Any MOUNT command that attempts to create more shadow sets than the maximum specified for the node will fail.

Note that this parameter does not affect the naming of shadow sets. For example, with the default value of 100, a device name such as DSA999 is still valid.

SHADOW_MBR_TMO

The SHADOW_MBR_TMO parameter controls the amount of time the system tries to fail over physical members of a shadow set before removing them from the set. SHADOW_MBR_TMO is a dynamic parameter that you can change on a running system.

With the SHADOW_MBR_TMO parameter, you specify the number of seconds, from 1 to 65,535, during which recovery of a shadow set member is attempted.

NOTE The value of SHADOW_MBR_TMO should not exceed the value of the parameter MVTIMEOUT.

Volume Shadowing Parameters

If you specify zero, a default delay is used. The default delay is specific to the version of OpenVMS running on your system. For shadow sets in an OpenVMS Cluster configuration, the value of SHADOW_MBR_TMO should be set to the same value on each node.

Determining the correct value for SHADOW_MBR_TMO is a trade-off between rapid recovery and high availability. If rapid recovery is required, set SHADOW_MBR_TMO to a low value. This ensures that failing shadow set members are removed from the shadow set quickly and that user access to the shadow set continues. However, removal of shadow set members reduces data availability and, after the failed member is repaired, a full copy operation is required when it is mounted back into the shadow set.

If high availability is paramount, set SHADOW_MBR_TMO to a high value. This allows the shadowing software additional time to regain access to failed members. However, user access to the shadow set is stalled during the recovery process. If recovery is successful, access to the shadow set continues without the need for a full copy operation, and data availability is not degraded. Setting SHADOW_MBR_TMO to a high value may be appropriate when shadow set members are configured across LANs that require lengthy bridge recovery time.

Shadowing uses a timer to adhere to the number of seconds specified by the SHADOW_MBR_TMO parameter. For directly connected SCSI devices that have been powered down or do not answer to polling, the elapsed time before a device is removed from a shadow set can take several minutes.

The use of default settings for certain system parameters may lead to the occasional removal of shadow set members (systems that are using Volume Shadowing for OpenVMS) that are configured for multipath support. Therefore, when configuring multipath shadow sets using Volume Shadowing for OpenVMS, follow the recommendations shown in Table 3-3.

Table 3-3 System Parameter Settings for Multipath Shadow Sets

System Parameter	Recommended Setting
MSCP_CMD_TMO	60 as a minimum. The value of 60 is appropriate for most configurations. Some configurations may require a higher setting.
SHADOW_MBR_TMO	At least 3 x MSCP_CMD_TMO
SHADOW_SYS_TMO	At least 3 x MSCP_CMD_TMO
MVTIMEOUT	At least 4 x SHADOW_MBR_TMO

NOTE The recommended setting for MVTIMEOUT, as shown in Table 3-3, represents a doubling of an earlier recommendation published for OpenVMS Alpha Version 7.3.

SHADOW_SYS_DISK

A SHADOW_SYS_DISK parameter value of 1 enables shadowing of the system disk. A value of 0 disables shadowing of the system disk. A value of 4097 enables a minimerge. The default value is 0.

If you enable a minimerge of the system disk, you must also configure your system to write a dump to a nonshadowed, nonsystem disk of your choice. This is known as dump off system disk (DOSD). For more information on DOSD, see the HP OpenVMS System Manager's Manual, Volume 2: Tuning, Monitoring, and Complex Systems.

In addition, you should specify a system-disk, shadow-set virtual unit number with the SHADOW_SYS_UNIT system parameter, unless the desired system disk virtual unit number is DSA0.

SHADOW_SYS_TMO

You can use the SHADOW_SYS_TMO parameter in two ways: during the booting process and during normal operations. SHADOW_SYS_TMO is a dynamic parameter that you can change on a running system.

During the booting process, you can use this parameter on the first node in the cluster to boot and to create a specific shadow set. If the proposed shadow set is not currently mounted in the cluster, use this parameter to extend the time a booting system will wait for all former members of the system disk shadow set to become available.

The second use of this parameter comes into effect once the system successfully mounts the shadow set and begins normal operations. Just as the SHADOW_MBR_TMO parameter controls the time the operating system waits for failing members of an application disk shadow set to rejoin the shadow set, the SHADOW_SYS_TMO parameter controls how long the operating system will wait for failing members of a system disk shadow set. All nodes using a particular system disk shadow set should have their SHADOW_SYS_TMO parameter equal to the same value, after normal operations begin. Therefore, after booting, this parameter applies only to members of the system disk shadow set.

The default value is OpenVMS version specific. You can set a range of up to 65,535 seconds if you want the system to wait longer than the default for all members to join the shadow set.

SHADOW_SYS_UNIT

The SHADOW_SYS_UNIT parameter, which must be used when the SHADOW_SYS_DISK parameter is set to 1, contains the virtual unit number of the system disk.

The SHADOW_SYS_UNIT parameter is an integer value that contains the virtual unit number of the system disk. The default value is 0. The maximum value allowed is 9999. This parameter is effective only when the SHADOW_SYS_DISK parameter has a value of 1. This parameter must be set to the same value on all nodes that boot off a particular system disk shadow set. SHADOW_SYS_UNIT is not a dynamic parameter.

SHADOW_SYS_WAIT

Use the SHADOW_SYS_WAIT parameter to extend the time a booting system will wait for all current members of a mounted system disk shadow set to become available to this node. SHADOW_SYS_WAIT is a dynamic parameter that you can change on a running system (for debugging purposes only). The shadow set must already be mounted by at least one other cluster node for this parameter to take effect. The default value is 256 seconds. Change this parameter to a higher value if you want the system to wait more than the 256-second default for all members to join the shadow set. This parameter has a range of 1 through 65,535 seconds.

Write Bitmap System Parameters

Starting with OpenVMS Version 7.3, system parameters are available for managing update traffic between a master write bitmap and its corresponding local write bitmaps in an OpenVMS Cluster system. Another system parameter controls whether write bitmap system messages are sent to the operator console and, if they are to be sent, the volume of messages. These system parameters are dynamic; that is, they can be

Write Bitmap System Parameters

changed on a running system. They are shown in Table 3-4 and described in detail in “System Parameters for Managing Write Bitmap Messages and Shadow Set Limit” on page 120. These system parameters support the minicopy operation (see Chapter 7).

Table 3-4 Write Bitmap System Parameters

Parameter	Meaning	Unit	Min	Max ¹	Default
WBM_MSG_INT	In single-message mode, the time interval between assessment of the most suitable write bitmap message mode. In buffered-message mode, the maximum time a message waits before it is sent.	msec	10	-1	10
WBM_MSG_UPPER	The upper threshold for the number of messages sent during the test interval that will initiate buffered-message mode.	msgs/interval	0	-1	100
WBM_MSG_LOWER	The lower threshold for the number of messages sent during the test interval that will initiate single-message mode.	msgs/interval	0	-1	10
WBM_OM_LVL	Controls whether write bitmap messages are provided to the operator console: 0 means messages are turned off; 1 means messages are provided when write bitmaps are started, deleted, and renamed, and when the SCS message mode (buffered or single) changes; 2 means that all messages for a setting of 1 are provided along with detailed messages for debugging purposes.	n/a	0	2	1

¹ The maximum value of -1 corresponds to the maximum positive value that can be represented by a longword.

Setting System Parameters

To set or modify volume shadowing parameters, edit the [SYS.n.SYSEXE]MODPARAMS.DAT file or the appropriate AUTOGEN include file. After editing the file, execute SYS\$UPDATE:AUTOGEN as described in the HP OpenVMS System Manager’s Manual, Volume 2: Tuning, Monitoring, and Complex Systems. If you have an OpenVMS Cluster system, ensure that the system parameters are updated on each node. Example 3-2 illustrates a MODPARAMS.DAT file that includes assignment statements to set shadowing parameters.

Example 3-2 MODPARAMS.DAT File

```

.
.
.
! Volume Shadowing Parameters:
SHADOWING=2           ! Enables phase II shadowing

SHADOW_SYS_DISK=1    ! Enables system disk shadowing

SHADOW_SYS_UNIT=7    ! Specifies 7 as the virtual unit number
                     ! of the system disk

```

```
SHADOW_MAX_COPY=4      ! Specifies that 4 parallel copies can occur at one time

SHADOW_MBR_TMO=120    ! Allows 120 seconds for physical members to fail over
                       ! before removal from the shadow set

.
.
.
```

See the HP OpenVMS System Manager’s Manual, Volume 2: Tuning, Monitoring, and Complex Systems for complete information about invoking AUTOGEN and specifying the appropriate command qualifiers to perform the desired AUTOGEN operations.

Displaying System Parameters

It is sometimes useful to use the SYSGEN command SHOW to display the values of system parameters. You do not need special privileges to invoke the SYSGEN utility. You can use either a qualifier or the name of a system parameter with the SHOW command, or you can use the SHOW/ALL command to display information about all system parameters. (Enter HELP SHOW at the SYSGEN> prompt for more information about the SHOW command.) The following example illustrates how you can check the current default, minimum, and maximum values for the SHADOWING parameter.

```
$ MCR SYSGEN
SYSGEN> SHOW SHADOWING
Parameter Name      Current  Default  Minimum  Maximum  Unit      Dynamic
-----
SHADOWING           2        0        0        3      Coded-value
```

SYSGEN>

Booting from a System Disk Shadow Set

When multiple nodes boot from a common system disk shadow set, ensure that all nodes specify a physical disk that is a source member of the system disk shadow set.

At boot time, the volume shadowing software attempts to construct a complete system disk shadow set based on the shadowing membership information contained in the **storage control block (SCB)** of the boot device. The SCB is an ODS-2 or ODS-5 file system data structure that resides on each storage device and contains information about shadow set membership (described in “Shadow Set Consistency” on page 101). Depending on what information is in the SCB at boot time, the following scenarios are possible:

- If the boot device was not formerly a member of a shadow set, the system creates a new shadow set containing only the boot device. You can manually mount additional disks into the shadow set after the system boot procedure completes. (See the Caution that follows.)
- If the boot device is already a valid member of an existing shadow set (for instance, if it is already an up-to-date member of a shadow set mounted by another node in the cluster), the shadowing software automatically locates all the members of the set.
- When booting the first node in a cluster, information stored in the SCB of the physical boot device is used to locate other members of the shadow set and to create the complete system disk shadow set.

Booting Satellite Nodes from an MSCP Served System Disk Shadow Set

- The shadowing software detects boot attempts from a physical disk that is inconsistent with currently active shadow set members. In this case, the boot attempt detects the existence of the other shadow set members and determines (using the information in the SCB) that the boot device is not a valid member of the shadow set. When this occurs, the boot attempt fails with a SHADBOOTFAIL bugcheck message on the system console, and a dump file is written to the boot device.

The system bugchecks because it can boot only from a currently valid member of the system disk shadow set. If the boot device fails out of or is otherwise removed from the system disk shadow set, you must either mount the boot device back into the shadow set (and wait for the copy operation to complete) or modify the boot command file to boot from a current shadow set member.

The boot process automatically locates all the members of a system disk shadow set. You should not add system disk shadow set members in startup procedures as formerly recommended when phase I shadowing was supported.

CAUTION Do not add members to a system disk shadow set in startup procedures. Doing so can result in loss of data under the following circumstances:

1. A system is operating normally with a multiple member system disk shadow set.
2. The original boot device is removed from the shadow set but remains as a functioning disk.
3. The system continues with the remaining members.
4. The system is shut down or it fails.
5. The system is rebooted using the original boot device (which is now out of date).
6. The boot process determines that the boot device is not consistent with the other shadow set members and, therefore, does not add them into the shadow set. This behavior preserves the up-to-date data on the other members.
7. A MOUNT command in the startup procedure adds the other shadow set members to the system disk shadow set.
8. A copy operation from the boot device to the other shadow set members is initiated, thereby overwriting them.

If the boot device fails, the following console warning message displays:

```
virtual-unit: does not contain the member named to VMB.  
System may not reboot.
```

After the boot device has been repaired, manually add it back into the system disk shadow set.

Booting Satellite Nodes from an MSCP Served System Disk Shadow Set

The OpenVMS operating system uses the Maintenance Operations Procedure (MOP) protocol to boot satellite nodes. MOP protocol support is provided by either the LANACP process controlled by the LANCP utility or by DECnet software controlled by the NCP or NCL utilities. You must specify the name of the satellite's system disk using LANCP, NCP, or NCL commands (depending on which you are using to boot satellites). If the system disk is shadowed, the commands should specify the virtual unit or the virtual unit logical name rather than any physical unit.

The MOP server accesses the system disk shadow set (using the virtual unit defined) to perform downline load operations to the satellite. These operations include downline loading the physical boot device name to the satellite. When downline loading is complete, the satellite is able to connect to an MSCP server and access the physical boot device directly. The satellite's shadowing parameters are then used in the same way as a nonsatellite node.

You can use the `SYS$MANAGER:CLUSTER_CONFIG_LAN.COM` procedure or the `SYS$MANAGER:CLUSTER_CONFIG.COM` procedure to set MOP server, MSCP server, and satellite parameters automatically. When configuring satellite nodes with the cluster configuration command procedure, you can specify a shadowed system disk virtual unit as the satellite's system disk. The cluster configuration command procedure then automatically sets the satellite's system parameters `SHADOW_SYS_DISK` and `SHADOW_SYS_UNIT` for you. The values of these parameters are transferred automatically to the system parameter file `VAXVMSYS.PAR` for VAX satellites and to `ALPHAVMSYS.PAR` for Alpha satellites. (See the OpenVMS Cluster Systems manual for more information about using this command procedure.)

Example 3-3 shows the commands to enter to display the LANCP satellite database entries.

Example 3-3 LANCP Database Example of a Satellite Node

```
$ MCR LANCP
LANCP> LIST DEVICE/MOPDLL

Device Listing, permanent database:
--- MOP Downline Load Service Characteristics ---
Device      State      Access Mode      Client              Data Size
-----
ESA0        Disabled  NoExclusive      NoKnownClientsOnly 246 bytes
FCA0        Disabled  NoExclusive      NoKnownClientsOnly 246 bytes

LANCP> EXIT
```

For DECnet-Plus commands, see the DECnet-Plus documentation.

Example 3-4 shows the NCP commands you should enter on a MOP server to display a satellite DECnet database entry. Note that the load assist parameter displays the shadow set virtual unit name that downline loads the satellite node `HIWAY1`. Example 3-4 uses an explicit virtual unit name. However, you might prefer to use a logical name that translates to the virtual unit.

Example 3-4 DECnet Database Example of a Satellite Node

```
$ MCR NCP
NCP> SHOW NODE HIWAY1 CHAR
Node Volatile Characteristics as of 12-MAR-2000 14:53:59

Remote node = 19.891 (HIWAY1)

Hardware address      = 03-03-03-03-03-BC
Tertiary loader       = SYS$SYSTEM:TERTIARY_VMB.EXE
Load Assist Agent     = SYS$SHARE:NISCS_LAA.EXE
Load Assist Parameter = DSA1:

NCP> EXIT
```

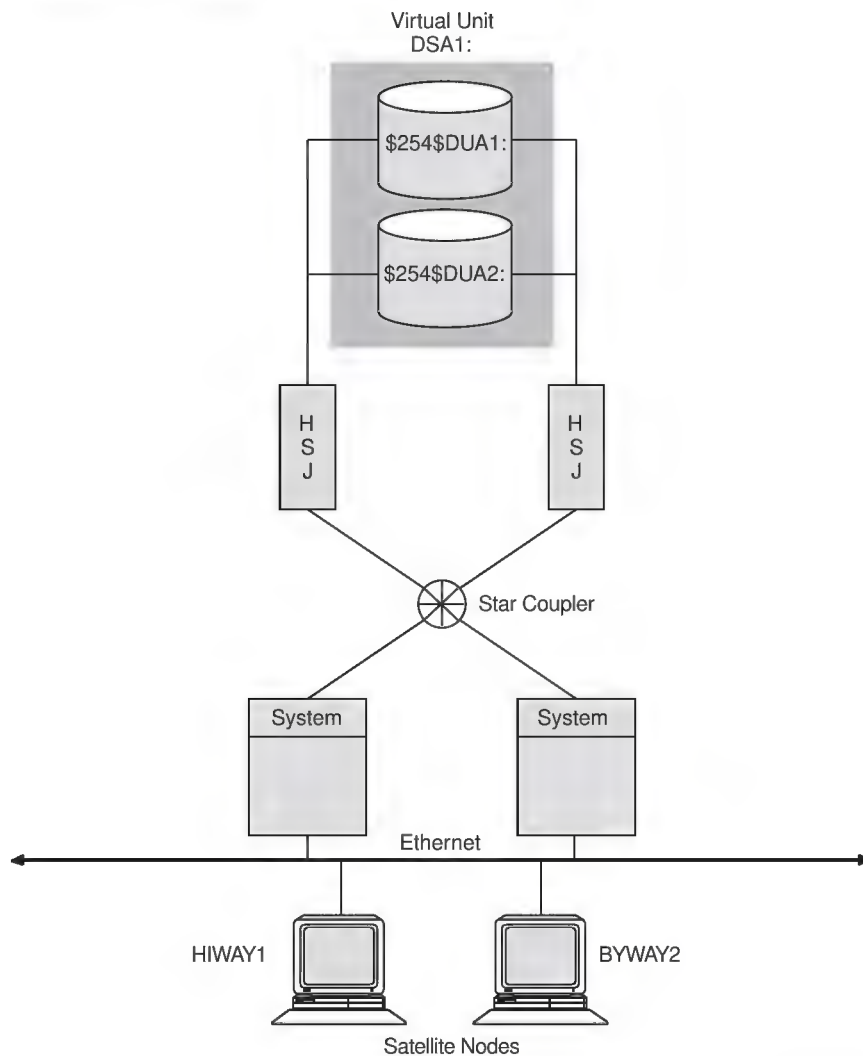
You may need to adjust the settings of the `SHADOW_MBR_TMO` and `SHADOW_MAX_COPY` parameters on satellite nodes. These parameters are not automatically set by the cluster configuration command procedure. See "Volume Shadowing Parameters" on page 37 for more information.

Booting Satellite Nodes from an MSCP Served System Disk Shadow Set

The cluster configuration command procedure automatically enables shadowing on satellite nodes when you want to shadow the system disk. If you do not want to shadow the system disk but need to enable shadowing, you must do so manually after the cluster configuration command procedure completes. Set shadowing parameters in the satellite node's MODPARAMS.DAT file and execute AUTOGEN as described in "Volume Shadowing Parameters" on page 37 and in "Setting System Parameters" on page 42.

Figure 3-1 shows two satellite nodes with shadowed system disk volumes located in an OpenVMS Cluster system configuration. In this configuration, the devices \$254\$DUA1 and \$254\$DUA2 make up a two-member shadow set. The satellites HIWAY1 and BYWAY2 access shadow set members across the Ethernet via the MSCP servers in the two boot nodes.

Figure 3-1 Booting Satellite Nodes



VM-0658A-A1

Booting Satellite Nodes from an MSCP Served System Disk Shadow Set

When a satellite node in Figure 3-1 is booted, the boot node (MOP server) downline loads initial bootstrap code from the virtual unit DSA1. The boot node points the satellite to use either \$254\$DUA1 or \$254\$DUA2 as a boot device for the remainder of the boot process. Note that the boot node must have the virtual unit mounted. The satellite then forms the system disk shadow set locally according to the shadow set membership information stored in the SCB on the boot device.

The following SHOW DEVICES command displays how the shadow set appears after the satellite node HIWAY1 is booted. In this example, the physical disk devices are accessed through the MSCP server node BTNODE.

\$ SHOW DEVICES DSA1

Device Name	Device Status	Error Count	Volume Label	Free Blocks	Trans Count	Mnt Cnt
DSA1:	Mounted	0	MYVOLUME	181779	194	37
\$254\$DUA1: (BTNODE)	ShadowSetMember	0	(member of DSA1:)			
\$254\$DUA2: (BTNODE)	ShadowSetMember	0	(member of DSA1:)			

\$

4 Creating and Managing Shadow Sets Using DCL Commands

This chapter describes how to create, mount, dismount, and dissolve shadow sets using interactive DCL commands. It also describes how to use the DCL command `SET DEVICE` to specify management attributes for shadow set members located at different sites in a multiple-site OpenVMS Cluster system. In addition, it describes how to use the DCL command `SHOW DEVICE` and the lexical function `F$GETDVI` to access current information about the state of shadow sets.

Volume Shadowing for OpenVMS improves data availability by ensuring that corresponding logical block numbers (LBNs) on multiple disk volumes contain the same information. Upon receiving a command to mount or dismount disks in a shadow set, the volume shadowing software may need to reconcile data differences and ensure that corresponding LBNs contain the same information.

An understanding of the copy and merge operations used for data reconciliation is essential to the discussions in this chapter. Therefore, you may find it helpful to refer to Chapter 6 to understand how Volume Shadowing for OpenVMS ensures data availability and consistency during changes in shadow set membership.

Allocating Devices

To avoid the possibility of another user mounting a particular device before you enter the `MOUNT` command, you can optionally allocate the device before issuing the `MOUNT` command. Use the DCL command `ALLOCATE` to provide your process with exclusive access to a physical device until you either deallocate the device or terminate your process. Optionally, you can associate a logical name with the device. The format for the `ALLOCATE` command is as follows:

```
ALLOCATE device-name[:] logical-name[:]
```

Creating a Shadow Set

To create a shadow set, you must use the `MOUNT` command with the `/SHADOW` qualifier to mount at least one physical disk into a shadow set and assign a virtual unit name to the set, as shown in Example 4-1.

Example 4-1 Creating a Shadow Set

```
$ MOUNT DSA23:/SHADOW=$4$DUA9:volume-label logical-name
```

This example forms a shadow set represented by the virtual unit `DSA23`, and includes one shadow set member, `4DUA9`. To create a shadow set, you must observe the following rules:

- Use the `DSAn:` format to specify the shadow set virtual unit, where `n` represents a unique number from 0 through 9999. If you do not include a number after the `DSA` prefix, `MOUNT` automatically assigns the highest unit number available. Numbering starts at 9999 and decrements to 0; the first virtual unit mounted is numbered 9999, the second 9998, and so on.

Using INITIALIZE/SHADOW/ERASE to Streamline the Formation of a Shadow Set

- Each virtual unit number must be unique across the system, regardless of whether or not the unit is mounted for public (mounted with the /SYSTEM qualifier) or private access. Virtual units are named independently of the controllers involved.
- The /SHADOW qualifier is required when specifying a physical device. You must name at least one physical device as a parameter to the /SHADOW qualifier. Although one-member shadow sets are valid, you should mount one or two additional disks in order for the shadowing software to maintain duplicate data. Adding disks to an existing shadow set is discussed in “Adding Shadow Set Members” on page 57.
- Use a nonzero allocation class for each physical device in the shadow set. Use the allocation class naming format *\$allocation-class\$ddcu*, where:

- *allocation-class* is a numeric value from 1 to 255.
- *dd* describes the device type of the physical device (for example, DU, DK, or DG).
- *c* is a letter from A to Z that represents the controller designation.
- *u* is the unit number of the device.

See OpenVMS Cluster Systems for more information about allocation classes.

- Specify a 1- to 12-character volume label for the virtual unit.
- Optionally, specify a 1- to 255-alphanumeric-character logical name string for the shadow set.

In addition, you can specify /SYSTEM, /GROUP, or /CLUSTER to make the shadow set available to all users of a system, all members of a group, or all nodes in a cluster on which shadowing is enabled.

To create a three-member shadow set, you can add two members in a single MOUNT command to an existing one-member shadow set. This method optimizes the I/O operation because both members are copied at the same time. (See the example in “Creating a Shadow Set With /SYSTEM and With /CLUSTER” on page 56.)

You can also streamline the process of creating a shadow set by initializing multiple devices in one command, using INITIALIZE/SHADOW/ERASE, as described in “Using INITIALIZE/SHADOW/ERASE to Streamline the Formation of a Shadow Set” on page 50.

Upon receiving a command to create a shadow set, the volume shadowing software may perform a copy or a merge operation to reconcile data differences. If you are not sure which disks might be targets of copy operations, you can specify the /CONFIRM or /NOCOPY qualifiers as a precaution against overwriting important data when you mount a disk. These and other MOUNT command qualifiers are discussed in “MOUNT Command Qualifiers for Shadowing” on page 52.

Using INITIALIZE/SHADOW/ERASE to Streamline the Formation of a Shadow Set

On OpenVMS Alpha systems, you can use the DCL command INITIALIZE with the /SHADOW and /ERASE command qualifiers to initialize multiple members of a future shadow set. Initializing multiple members in this way eliminates the requirement of a full copy when you later create a shadow set.

The INITIALIZE command with the /SHADOW and /ERASE qualifiers performs the following operations:

- Formats up to six devices with one command, so that any three can be subsequently mounted together as members of a new host-based shadow set.
- Writes a label on each volume.

- Deletes all information from the devices except for the system files and leaves each device with identical file structure information.

All former contents of the disks are lost.

You can then mount up to three of the devices that you have initialized in this way as members of a new host-based shadow set.

Benefits and Side Effects of Using /ERASE

HP strongly recommends that you use the /ERASE qualifier. By using the /ERASE qualifier, a subsequent merge operation will be substantially reduced.

If you omit the /ERASE qualifier, then the portions of the volume that do not contain file system data structures will contain indeterminate data. This data can differ from one shadow set member to another. Make sure to take this into account when using utilities that compare all of the LBNs between shadow set members.

The next time a full merge operation occurs, the presence of this indeterminate data will cause the merge to take much longer than it would have without use of the INITIALIZE/SHADOW/ERASE command. When this full merge completes, the LBNs will contain identical data, and the storage control block (SCB) will no longer indicate that the /ERASE qualifier was omitted from the INITIALIZE/SHADOW command.

Note, however, that a side effect of using /ERASE is that the ERASE volume attribute is set. In effect, each file on the volume is erased when it is deleted. Another side effect is that an INITIALIZE/ERASE operation is always slower than an INITIALIZE/NOERASE operation. The disks are erased sequentially, which effectively doubles or triples the time it takes for the command to complete. If the disks are large, consider performing multiple, simultaneous INITIALIZE/ERASE commands (with the /SHADOW qualifier) to erase the disks. After all the command have completed, then perform an INITIALIZE/SHADOW command with the /ERASE qualifier.

You can remove the ERASE volume attribute by issuing the SET VOLUME/NOERASE_ON_DELETE command.

For more information about these DCL commands and qualifiers, see the HP OpenVMS DCL Dictionary.

Requirements for Using INITIALIZE/SHADOW

Starting with OpenVMS Alpha Version 7.3-2, shadow set members can differ in size, that is, they can have different nonzero values for `Total Blocks`. If devices of different sizes are specified in the INITIALIZE command, and /SIZE or /LIMIT or both are omitted, the default values for these qualifiers take effect. The default value for /SIZE (for the logical volume size for the device) is the smallest member's MAXBLOCK value. The default value for /LIMIT (for future expansion) is the largest member's MAXBLOCK value, which will be used to compute the expansion limit.

You can view the `Total Blocks` value by entering the SHOW DEVICE/FULL command. If a device has never been mounted or initialized on this system, the SHOW DEVICE/FULL command for the device does not display a value for `Total Blocks`. To correct this condition, either mount and then dismount the device, or initialize the device. The `Total Blocks` value is then displayed by SHOW DEVICE/FULL.

The use of INITIALIZE/SHADOW requires the VOLPRO privilege.

Note that the INITIALIZE/SHADOW command should not be used to initialize a disk to be added to an existing shadow set, since there is no benefit to be gained.

The format of this command follows:

```
INITIALIZE/SHADOW=(device_name1, device_name2, device_name3) label
```

MOUNT Command Qualifiers for Shadowing

INITIALIZE/SHADOW Examples

The following example shows the correct use of this command. Note that the command specifies multiple devices on the same line.

```
$ INITIALIZE /ERASE /SHADOW=( $4$DKA1300, $4$DKA1301 ) NONVOLATILE

$ MOUNT/SYS DSA42 /SHAD=( $4$DKA1300 , $4$DKA1301 ) NONVOLATILE
%MOUNT-I-MOUNTED, NONVOLATILE MOUNTED ON _DSA42:
%MOUNT-I-SHDWMEMSUCC, _$4$DKA1300: (WILD3) IS NOW A VALID MEMBER OF THE SHADOW SET
%MOUNT-I-SHDWMEMSUCC, _$4$DKA1301: (WILD4) IS NOW A VALID MEMBER OF THE SHADOW SET
$ SHO DEV DSA42:
```

DEVICE NAME	DEVICE STATUS	ERROR COUNT	VOLUME LABEL	FREE BLOCKS	TRANS COUNT	MNT CNT
DSA42:	MOUNTED	0	NONVOLATILE	5799600	1	1
\$4\$DKA1300: (WILD3)	SHADOWSETMEMBER	0	(MEMBER OF DSA42:)			
\$4\$DKA1301: (WILD4)	SHADOWSETMEMBER	0	(MEMBER OF DSA42:)			

The following example shows an incorrect use of this command. Do not use a separate command to initialize each device.

```
$ INITIALIZE /ERASE /SHADOW= $4$DKA1300 NONVOLATILE
$ INITIALIZE /ERASE /SHADOW= $4$DKA1301 NONVOLATILE

$ MOUNT/SYS DSA42 /SHAD=( $4$DKA1300 , $4$DKA1301 ) NONVOLATILE
%MOUNT-I-MOUNTED, NONVOLATILE MOUNTED ON _DSA42:
%MOUNT-I-SHDWMEMSUCC, _$4$DKA1300: (WILD3) IS NOW A VALID MEMBER OF THE SHADOW SET
%MOUNT-I-SHDWMEMSUCC, _$4$DKA1301: (WILD4) IS NOW A VALID MEMBER OF THE SHADOW SET
$ SHO DEV DSA42:
```

DEVICE NAME	DEVICE STATUS	ERROR COUNT	VOLUME LABEL	FREE BLOCKS	TRANS COUNT	MNT CNT
DSA42:	MOUNTED	0	NONVOLATILE	5799600	1	1
\$4\$DKA1300: (WILD3)	ShadowSetMember	0	(member of DSA42:)			
\$4\$DKA1301: (WILD4)	ShadowCopying	0	(copy trgt DSA42: 0% copied)			

MOUNT Command Qualifiers for Shadowing

This section briefly describes the MOUNT command qualifiers that are useful for shadow set management. Refer also to the HP OpenVMS System Management Utilities Reference Manual for complete information about these and other DCL commands.

You must use the /SHADOW qualifier when you create a new shadow set or when you add a member to an existing shadow set. You can also use the optional qualifiers described in Table 4-1 and in Table 4-2. These qualifiers require the VOLPRO and OPER privileges, or your user identification code (UIC) must match the owner UIC of the volume being mounted. To mount a shadow set throughout the system, you must also have the SYSNAM privilege. In addition, the MOUNT/POLICY=[NO]MINICOPY[=OPTIONAL] command requires the LOG_IO privilege.

Detailed examples and descriptions of how to use these qualifiers are included in “Adding Shadow Set Members” on page 57. In addition to the shadowing-specific qualifiers described in Table 4-1, the /NOASSIST, /SYSTEM, /GROUP, and /CLUSTER qualifiers are also frequently used when mounting shadow sets, as described in Table 4-2 and in “Additional MOUNT Command Qualifiers Used for Shadowing” on page 55.

MOUNT Command Qualifiers Specific to Shadowing

Table 4-1 describes the MOUNT command qualifiers that are specific to shadowing.

Table 4-1 MOUNT Command Qualifiers (Shadowing Specific)

Qualifier	Function
/[NO]CONFIRM	Controls whether the Mount utility issues a request to confirm a copy operation when mounting a shadow set. The default is /NOCONFIRM.
/[NO]COPY	Enables or disables copy operations on physical devices named when mounting or adding to a shadow set. The default is /COPY.
/[NO]INCLUDE	Automatically mounts and reinstates a shadow set to the way it was before the shadow set was dissolved. The default is /NOINCLUDE.
/OVERRIDE= NO_FORCED_ ERROR	Directs the Mount utility to proceed with shadowing, even though the device or controller does not support forced error handling. Using unsupported SCSI disks can cause members to be removed from a shadow set if certain error conditions arise that cannot be corrected, because some SCSI disks do not implement READL and WRITEL commands that support disk bad-block repair. If the SCSI device does not support READL and WRITEL commands, the SCSI disk class driver sets a NOFE (no forced error) bit in a System Dump Analyzer display. See “Using SDA to Obtain Information About Third-Party SCSI Devices” on page 84 for more information.
/OVERRIDE= SHADOW_ MEMBERSHIP	Mounts a former shadow set member and zeroes the disk's shadow set generation number so that the disk is no longer marked as having been a member of the shadow set.

Table 4-1 MOUNT Command Qualifiers (Shadowing Specific) (Continued)

Qualifier	Function
/POLICY= [NO]MINICOPY [=OPTIONAL]	<p>Controls the setup and use of the shadowing minicopy function. This qualifier requires LOG_IO privilege.</p> <p>The meaning of [NO]MINICOPY[=OPTIONAL] depends on the status of the shadow set. If the shadow set is not mounted, either on a standalone system or on any cluster member, and MINICOPY=OPTIONAL is specified, the shadow set is mounted and a write bitmap is created. (A write bitmap enables a shadowing minicopy operation.) MOUNT/POLICY=MINICOPY[=OPTIONAL] must be specified on the initial mount of a shadow set, either on a standalone system or in a cluster, to enable the shadowing minicopy operation.</p> <p>The OPTIONAL keyword allows the mount to continue, even if the system was unable to start the write bitmap. A bitmap could fail to start properly because of an improperly dismounted shadow set, a shadow set that requires a merge operation, or various resource problems. If the OPTIONAL keyword is omitted and the system is unable to start the write bitmap, the shadow set will not be mounted.</p> <p>If you specify /POLICY=MINICOPY=OPTIONAL and the shadow set was already mounted on another node in the cluster without this qualifier and keyword, the MOUNT command will succeed but a write bitmap will not be created.</p> <p>If NOMINICOPY is specified, the shadow set will be mounted but a write bitmap will not be created.</p> <p>If a former member of the the shadow set is returned to the shadow set, which has minicopy enabled, then a minicopy is started instead of a full copy. This is the default behavior and will occur even if you omit /POLICY=MINICOPY[=OPTIONAL]. If a minicopy successfully starts and then fails for some reason, a full copy will be performed.</p> <p>If a minicopy cannot be started and the keyword OPTIONAL was omitted, the mount will fail.</p> <p>If NOMINICOPY is specified, then a minicopy will not be performed, even if one is possible.</p>
/POLICY= REQUIRE_ MEMBERS	<p>Controls whether every physical device specified with the /SHADOW qualifier must be accessible when the MOUNT command is issued in order for the MOUNT command to take effect. The proposed members are either specified in the command line or found on the disk by means of the /INCLUDE qualifier. The behavior, without this qualifier, is that if one or more members is not accessible for any reason (such as a connectivity failure), then the virtual unit will be created with the members that are accessible. This option is especially useful in the recovery of disaster-tolerant clusters because it ensures that the correct membership is selected after an event.</p>

Table 4-1 MOUNT Command Qualifiers (Shadowing Specific) (Continued)

Qualifier	Function
/POLICY= VERIFY_LABEL	<p>Requires that any member to be added to the shadow set have a volume label of SCRATCH_DISK.</p> <p>This helps ensure that the wrong disk is not added to a shadow set by mistake. If you plan to use VERIFY_LABEL, then before using this qualifier you must either initialize the disk to be added to the set with the label SCRATCH_DISK, or specify a label for the disk with the command SET VOLUME/LABEL.</p> <p>The default behavior is NOVERIFY_LABEL, which means that the volume label of the copy targets will not be checked. This is the same behavior that occurred before the introduction of this qualifier. The volume label of the copy targets will not be checked.</p>
/SHADOW= (physical-device- name[:][,...])	<p>Directs the Mount utility to bind the specified physical devices into a shadow set represented by the virtual unit named in the command.</p>

CAUTION Do not use the /OVERRIDE≡IDENTIFICATION or /NOMOUNT_VERIFICATION qualifiers when mounting shadow sets. Using either of these qualifiers can result in loss of data.

If you mount a shadow set with the /OVERRIDE≡IDENTIFICATION qualifier, individual shadow set members start with different volume labels, which can cause a volume to lose data.

If you specify the /NOMOUNT_VERIFICATION qualifier, the shadow set becomes unusable at the first state change of the shadow set.

Additional MOUNT Command Qualifiers Used for Shadowing

The MOUNT command qualifiers described in this section are not specific to shadowing but can be very useful when creating shadow sets. These additional qualifiers are described in Table 4-2 and in the examples that follow.

Table 4-2 Additional MOUNT Command Qualifiers (Not Shadowing Specific)

Qualifier	Function
/NOASSIST	<p>Successfully mounts a shadow set if at least one of the devices included in the MOUNT command is available for mounting. In the absence of this qualifier, if one of the devices specified to be mounted is not available for mounting, the shadow set will not be mounted.</p>
/SYSTEM	<p>Makes the volume available to all users on the system. Use this qualifier when you add a disk to an existing shadow set. If the /CLUSTER qualifier was used when the shadow set was created, the use of /SYSTEM will make the new member of the shadow set available to all nodes in the cluster that already have the shadow set mounted.</p>
/GROUP	<p>Makes the volume available to all users with the same group number in their UICs as the user entering the MOUNT command. You must have GRPNAM and SYSNAM user privileges to mount group and system volumes.</p>

Table 4-2 Additional MOUNT Command Qualifiers (Not Shadowing Specific)

Qualifier	Function
/CLUSTER	Creates the virtual unit automatically on every node in the cluster on which shadowing is enabled. Use this qualifier if the shadow set is to be accessed across the cluster. You must have the SYSNAM privilege to use this qualifier. Using /CLUSTER automatically includes the /SYSTEM qualifier, making the shadow set available to all users on the system.

Creating a Shadow Set With /NOASSIST

You may occasionally find it useful to specify the /NOASSIST qualifier on the MOUNT command. For example, you can use the MOUNT/NOASSIST command in startup files to avoid failure of a MOUNT command when a device you specify in the command is not available. The /NOASSIST qualifier can be used in startup files because operator intervention is impossible during startup.

The MOUNT/NOASSIST qualifier can successfully mount the shadow set as long as at least one of the devices included in the MOUNT command is available for mounting. Example 4-2 shows an example of the /NOASSIST qualifier and the resulting messages when one of the members included in the command is not available for mounting.

Example 4-2 Using the /NOASSIST Qualifier

```
$ MOUNT/SYS DSA65:/SHADOW=($4$DIA6,$4$DIA5) GALEXY/NOASSIST
%MOUNT-I-MOUNTED, GALEXY mounted on _DSA65:
%MOUNT-I-SHDWMEMSUC, _$4$DIA6: (READY) is now a valid member of the shadowset
%MOUNT-I-SHDWMEMFAIL, $4$DIA5 failed as a member of the shadow set
-SYSTEM-F-VOLINV, volume is not software enabled
```

Even though device \$4\$DIA5 is not available for mounting, the MOUNT command continues to create the shadow set with \$4\$DIA6 as its only member. If the command did not include the /NOASSIST qualifier, the MOUNT command would not mount the shadow set.

Creating a Shadow Set With /SYSTEM and With /CLUSTER

When you create a shadow set, you must specify either the /SYSTEM qualifier or the /CLUSTER qualifier, or both (see Table 4-2) to provide access for all users on a single system or on a cluster.

In Example 4-3, if the shadow set (identified by its virtual unit name DSA2) is not currently mounted, the first command creates a shadow set with one shadow set member; the second command adds two more members to the same shadow set. An automatic copy operation causes any data on the second and third volumes to be overwritten as the shadow set members are added.

In the second MOUNT command, you need only specify the /SYSTEM when you add the \$6\$DIA5 and \$6\$DIA6 devices to the shadow set. Do not use /CLUSTER. These disks are added with the same status that the shadow set currently has, which in this case is clusterwide access.

Example 4-3 Using the /CLUSTER Qualifier

```
$ MOUNT DSA2: /CLUSTER /SHADOW=$6$DIA4: PEAKSISLAND DISK$PEAKSISLAND
$ MOUNT DSA2: /SYSTEM/SHADOW=($6$DIA5:,$6$DIA6:) PEAKSISLAND DISK$PEAKSISLAND
```

Adding Shadow Set Members

Once a shadow set is created, you can add and remove individual members by mounting or dismounting physical disk devices. The shadowing software allows you to add and remove shadow set members at any time, transparently to user processes or applications running on the system.

Adding a Disk to an Existing Shadow Set

Example 4-4 shows how to add the disk \$4\$DUA3 to the DSA23 shadow set.

Example 4-4 Adding a Disk to an Existing Shadow Set

```
$ MOUNT/CONFIRM/SYSTEM DSA23: /SHADOW=( $4$DUA9, $4$DUA3) volume-label
```

The command in Example 4-4 specifies both the currently active shadow set member (\$4\$DUA9) and the new member (\$4\$DUA3). Although it is not necessary to include them when mounting additional physical devices, you can specify current shadow set members without affecting their membership state.

Note that when you add volumes to an existing shadow set mounted across an OpenVMS Cluster system, the shadowing software automatically adds the new members on each OpenVMS Cluster node.

Creating a Two-Member Shadow Set and Adding a Third Member

Example 4-5 shows how to create a two-member shadow set with the first command and how to add another member to the shadow set with the second command.

Example 4-5 Creating a Shadow Set and Adding Third Member

```
$ MOUNT/SYSTEM DSA4: /SHADOW = ( $3$DIA7:, $3$DIA8:) FORMERSELF
%MOUNT-I-MOUNTED, FORMERSELF mounted on DSA4:
%MOUNT-I-SHDWMEMSUCC, _$3$DIA7: (DISK300) is now a valid member of
the shadow set
%MOUNT-I-SHDWMEMSUCC, _$3$DIA8: (DISK301) is now a valid member of
the shadow set

$ MOUNT/SYSTEM DSA4: /SHADOW = $3$DIA6: FORMERSELF
%MOUNT-I-SHDWMEMCOPY, _$3$DIA6: (DISK302) added to the shadow set
with a copy operation
```

In this example, the first command creates a shadow set whose virtual unit name is DSA4. The member disks are \$3\$DIA7 and \$3\$DIA8. The second command mounts the disk \$3\$DIA6 and adds it to shadow set DSA4. The shadow set now includes three members: \$3\$DIA6, \$3\$DIA7, and \$3\$DIA8. In this example, when you add \$3\$DIA6 after the shadow set already exists, the added volume becomes the target of a copy operation.

Checking Status of Potential Shadow Set Members With /CONFIRM

When you add a disk to an existing shadow set, a copy operation is necessary. Volume shadowing automatically performs the copy operation, unless you use the /CONFIRM qualifier or the /NOCOPY qualifier. When you specify the /CONFIRM qualifier, as shown in Example 4-6, the MOUNT command displays the targets of copy operations and prompts for permission before the operations are performed. This precaution can prevent the erasure of important data. For more information about copy operations, see Chapter 6.

Adding Shadow Set Members

Example 4-6 Using the /CONFIRM Qualifier

```
$ MOUNT/CONFIRM DSA23: /SHADOW=($1$DUA4:,$1$DUA6:) SHADOWVOL
%MOUNT-F-SHDWCOPYREQ, shadow copy required
Virtual Unit - DSA23 Volume Label - SHADOWVOL

Member                Volume Label Owner UIC
$1$DUA6: (LOVE)       SCRATCH      [100,100]
Allow FULL shadow copy on the above member(s)? [N]: NO
$
```

This command instructs MOUNT to build a shadow set with the specified devices and to prompt for permission to perform any copy operations.

Because a copy operation is necessary, the virtual unit name and the volume label are displayed.

The display also includes the physical device name, the volume label, and the volume owner of the potential shadow set member that requires the copy operation.

A response of No causes MOUNT to quit without mounting or copying.

Checking Status of Potential Shadow Set Members With /NOCOPY

When you specify more than one disk, the shadowing software automatically determines the correct copy operation to perform in order to make shadow set members consistent with each other (see “Copy Operations” on page 103 for details). The Mount utility interprets information recorded on each member to determine whether a member requires a copy operation, a merge operation, or no copy operation. If you are not sure which disks might be targets of copy operations, you can specify the /CONFIRM qualifier or the /NOCOPY qualifier as a precaution against overwriting important data when you mount a disk. With the /NOCOPY qualifier, you disable the copy operation.

Example 4-7 shows how to use the /NOCOPY qualifier to check the status of potential shadow set members before any data is erased.

Example 4-7 Using the /NOCOPY Qualifier

```
$ MOUNT/NOCOPY DSA2: /SHADOW=($1$DUA4:,$1$DUA6:,$1$DUA7:) -
_$ SHADOWVOL DISK$SHADOWVOL

%MOUNT-F-SHDWCOPYREQ, shadow copy required
%MOUNT-I-SHDWMEMFAIL, DUA7: failed as a member of the shadow set
%MOUNT-F-SHDWCOPYREQ, shadow copy required

$ MOUNT/COPY DSA2: /SHADOW=($1$DUA4:,$1$DUA6:,$1$DUA7:) -
_$ SHADOWVOL DISK$SHADOWVOL
%MOUNT-I-MOUNTED, SHADOWVOL mounted on _DSA2:
%MOUNT-I-SHDWMEMSUCC, _$1$DUA4: (VOLUME001) is now a valid member of
the shadow set
%MOUNT-I-SHDWMEMSUCC, _$1$DUA6: (VOLUME002) is now a valid member of
the shadow set
%MOUNT-I-SHDWMEMCOPY, _$1$DUA7: (VOLUME003) added to the shadow set
with a copy operation
```

The first command in this example instructs MOUNT to build a shadow set, with the specified devices, but only if a copy or merge operation is not required.

In this example, MOUNT did not build the shadow set because the specified disk, loaded on device \$1\$DUA7, required a copy operation. At this point, you can verify that the volume in device \$1\$DUA7 does not contain any useful data.

If the device does not contain valuable data, you can reenter the MOUNT command, as shown in this example, and include the /COPY qualifier. This command instructs MOUNT to mount a shadow set and to proceed with the necessary copy or merge operation.

The resulting MOUNT status messages show that the shadow set is successfully mounted. The \$1\$DUA7 device is currently the target of a copy operation; it will attain full shadow set membership when the copy operation completes.

Mounting a Shadow Set on Other Nodes in the Cluster

If a shadow set is already mounted on one or more nodes in an OpenVMS Cluster system, the /SHADOW qualifier is not required when you mount the same shadow set on other nodes in the cluster. For example, if DSA42 is already mounted in the cluster when a new node is brought into the cluster, you can use the following command to mount DSA42 on the new node:

```
$ MOUNT/SYS DSA42: volume-label logical-name
```

Upon receiving this command, the volume shadowing software creates the shadow set on the new node with the same members that currently exist on other nodes in the cluster.

Reconstructing a Shadow Set With /INCLUDE

Example 4-8 shows how to reconstruct a shadow set. The volume shadowing software determines which disk volumes are former members of the shadow set.

Example 4-8 Reconstructing Shadow Sets With /INCLUDE

```
$ MOUNT /SYSTEM DSA4/SHAD=($4$DIA1, $4$DIA2, $4$DIA3) NEWDISK
%MOUNT-I-MOUNTED, NEWDISK mounted on _DSA4:
%MOUNT-I-SHDWMEMSUCC, _$4$DIA1: (DISK01) is now a valid member
of the shadow set
%MOUNT-I-SHDWMEMCOPY, _$4$DIA2: (DISK02) added to the shadow set
with a copy operation
%MOUNT-I-SHDWMEMCOPY, _$4$DIA3: (DISK03) added to the shadow set
with a copy operation
$ DISMOUNT DSA4
$
$ MOUNT DSA4:/SYSTEM/SHAD=$4$DIA1 NEWDISK/INCLUDE
%MOUNT-I-MOUNTED, NEWDISK mounted on _DSA4:
%MOUNT-I-SHDWMEMSUCC, _$4$DIA1: (DISK01) is now a valid member of the shadow set
%MOUNT-I-AUTOMEMCOPY, _$4$DIA2: (DISK02) automatically added to the shadow set
%MOUNT-I-AUTOMEMCOPY, _$4$DIA3: (DISK03) automatically added to the shadow set
```

The first command in this example creates the shadow set represented by DSA4. The shadow set consists of three shadow set members: \$4\$DIA1, \$4\$DIA2, and \$4\$DIA3.

After all copy operations have completed, the DISMOUNT command dissolves the shadow set.

The /INCLUDE qualifier shown in the second MOUNT command triggers the MOUNT command to reconstruct the shadow set back to the way it was before the shadow set was dissolved. The MOUNT command must specify the original virtual unit name (DSA4) and at least one of the original shadow set members (\$4\$DIA1). The Mount utility reads the membership list on \$4\$DIA1 (specified in the first MOUNT command) to determine that \$4\$DIA2 and \$4\$DIA3 are also members of the shadow set.

Because the shadow set was properly dismounted, the shadow set members are in a consistent state. The MOUNT status messages indicate that the shadow set devices are added back into the shadow set without the need for copy operations.

Mounting a Former Shadow Set Member as a Nonshadowed Disk

Occasionally, you will need to mount a physical shadow set member as a nonshadowed disk. By default, when a shadow set member is mounted outside a shadow set, the Mount utility automatically write-locks the disk. This provides a safeguard against accidental modification, thereby allowing the disk to be remounted into a shadow set at a later time.

To override this default behavior, include the /OVERRIDE=SHADOW_MEMBERSHIP qualifier on the MOUNT command as shown in Example 4-9:

Example 4-9 Mounting Former Shadow Set Member as Nonshadowed Disk

```
$ MOUNT/OVERRIDE=SHADOW_MEMBERSHIP $4$DUA20: WORKDISK
```

This command ignores shadow set membership status and mounts a former shadow set member on \$4\$DUA20 as a nonshadowed disk with write access.

Specifying Disaster-Tolerant Management Attributes (Alpha Only)

Starting with OpenVMS Alpha Version 7.3, qualifiers to the DCL command SET DEVICE are provided for specifying management attributes for shadow set members located at different sites. By using these qualifiers, system managers can override the default volume shadowing actions that can occur when the systems at one site of a disaster-tolerant OpenVMS Cluster configuration fail. These qualifiers, described in Table 4-3, are designed primarily for use in a configuration that uses Fibre Channel for a site-to-site storage interconnect. They can be used in other configurations as well. The SET DEVICE command requires the OPER privilege. Note that the SET SHADOW command, described in Table 4-4, also offers these qualifiers.

Similarly, the DCL command DISMOUNT has been enhanced by the addition of the qualifier /FORCE_REMOVAL ddcu:. This qualifier has been added for the same purpose — to give system managers greater control of shadow set members located at different sites. For more information about this qualifier, see “Removing Members from Shadow Sets” on page 73.

Table 4-3 SET DEVICE Command Qualifiers for Multiple-Site Shadow Set Members

Qualifier	Function
/ABORT_VIRTUAL_UNIT DSAAnnn:	Use this qualifier when you know that the unit cannot be recovered. When you use this qualifier, the shadow set must be in mount verification. The shadow set aborts mount verification immediately on the node from which the command is issued. If the shadow set is not in mount verification, this command returns the error %SYSTEM-E-UNSUPPORTED, unsupported operation or function. After this command completes, the shadow set must still be dismounted. Use the following command to dismount the shadow set: \$ DISMOUNT/ABORT DSAAnnn

Table 4-3 SET DEVICE Command Qualifiers for Multiple-Site Shadow Set Members (Continued)

Qualifier	Function
/COPY_SOURCE (ddcu:, DSAAnnnn:)	<p>Specifies whether one (ddcu:) or both (DSAAnnnn:) source members of a shadow set are used as the source for read data during full copy operations, when a third member is added to the shadow set. This affects only copy operations that do not use DCD operations.</p> <p>Some storage controllers, such as the HSG80, have a read-ahead cache, which significantly improves single-disk read performance. Copy operations normally alternate reads between the two source members, which effectively nullifies the benefits of the read-ahead cache. This qualifier lets you force all reads from a single source member for a copy operation.</p> <p>If the shadow set (DSAAnnnn:) is specified, then all reads for full copy operations will be performed from the disk that is the current “master” member, regardless of physical location of the disk.</p> <p>If a shadow set member (ddcu:) is specified, that member will be used as the source of all copy operations. This allows you to choose a local source member, rather than a remote master member.</p>
/FORCE_REMOVAL ddcu:	<p>Expels the specified shadow set member from the shadow set.</p> <p>If connectivity to a device has been lost and the shadow set is in mount verification, this qualifier causes the member to be expelled from the shadow set immediately.</p> <p>If the shadow set is not currently in mount verification, no immediate action is taken. If connectivity to a device has been lost but the shadow set is not in mount verification, this qualifier lets you flag the member to be expelled from the shadow set, as soon as it does enter mount verification. .</p> <p>The specified device must be a member of a shadow set that is mounted on the node where the command is issued</p>
/MEMBER_TIMEOUT =n ddcu:	<p>Specifies the timeout value to be used for shadow set member.</p> <p>The value supplied by this qualifier overrides the SYSGEN parameter SHADOW_MBR_TMO for this specific device. Each member of a shadow set can be assigned a different MEMBER_TIMEOUT value.</p> <p>The valid range for n is 1 to 16,777,215 seconds.</p> <p>The device specified must be a member of a shadow set that is mounted on the node where the command is issued.</p> <p>After you have applied this qualifier to a member, the setting remains in effect as long as the member is part of the shadow set. If the member is removed from the shadow set and later returned, this qualifier must be specified again.</p>

Table 4-3 SET DEVICE Command Qualifiers for Multiple-Site Shadow Set Members (Continued)

Qualifier	Function
/MVTIMEOUT= <i>n</i> DSA <i>nnnn</i> :	<p>Specifies the mount verification timeout value to be used for this shadow set, specified by its virtual unit name (DSA<i>nnnn</i>).</p> <p>The value supplied by this qualifier overrides the SYSGEN parameter MVTIMEOUT for this specific shadow set.</p> <p>The valid range for <i>n</i> is 1 to 16,777,215 seconds. The specified shadow set must be mounted on the node where the command is issued.</p> <p>After you have applied this qualifier, the setting remains in effect as long as the shadow set is mounted. If the shadow set is dismounted and later remounted, this qualifier must be specified again</p>

Table 4-3 SET DEVICE Command Qualifiers for Multiple-Site Shadow Set Members (Continued)

Qualifier	Function
/READ_COST= <i>n</i> ddcu:	<p>Enables you to modify the default cost assigned to each shadow set member. By modifying the assignments, you can bias the reads in favor of one member of a two-member shadow set, or, in the case of three-member shadow sets, in favor of one or two members of the set over the remaining members. The specified device must be a shadow set member that is mounted on the node where the command is issued.</p> <p>The valid range for the specified cost is 1 to 65,535 units.</p> <p>The value supplied by the /READ_COST qualifier overrides the default assignment. The shadowing driver adds the value of the current queue depth of the shadow set member to the READ_COST value and then reads from the member with the lowest value.</p> <p>The shadowing driver assigns default READ_COST values to shadow set members when each member is initially mounted. The default value depends on the device type and its configuration relative to the system mounting it. The following list of device types is ordered by the default READ_COST assignments, from the lowest cost to the highest cost:</p> <ul style="list-style-type: none"> • DECram device • Directly connected device in the same physical location • Directly connected device in a remote location • DECram served device • Default value for other served devices <p>The value supplied by the /READ_COST qualifier overrides the default assignment. The shadowing driver adds the value of the current queue depth of the shadow set member to the READ_COST value and then reads from the member with the lowest value.</p> <p>Different systems in the cluster can assign different costs to each shadow set member.</p> <p>If the /SITE command qualifier has been specified, the shadowing driver takes site values into account when it assigns default READ_COST values. In order for the shadowing software to determine whether a device is in the category of "directly connected device in a remote location," the /SITE command qualifier must have been applied to both the shadow set and the shadow set member.</p> <p>Reads requested for a shadow set from a system at site 1 are performed from a shadow set member that is also at site 1. Reads requested for the same shadow set from site 2 can read from the member located at site 2.</p> <p>After you have applied this qualifier to a member, the setting remains in effect as long as the member is part of the shadow set. If the member is removed from the shadow set and later returned, this qualifier must be specified again.</p>

Table 4-3 **SET DEVICE Command Qualifiers for Multiple-Site Shadow Set Members (Continued)**

Qualifier	Function
/READ_COST=n DSAxxxx	The valid range for n is any number. The value supplied has no inherent meaning. The purpose of this qualifier is to switch the read cost setting for all shadow set members back to the default read cost settings established automatically by the shadowing software. The specified shadow set (DSAxxxx) must be mounted on the node where the command is issued.

Table 4-3 SET DEVICE Command Qualifiers for Multiple-Site Shadow Set Members (Continued)

Qualifier	Function
/SITE = (n, logical-name) (ddcu:, DSAnnnn:)	<p>Indicates to the shadowing driver the site location of the specified shadow set (DSAannnn:) or shadow set member (ddcu:).</p> <p>The SHADOW_SITE_ID system parameter defines the default site location of the shadow set. You can override the default location of the shadow set with the /SITE qualifier.</p> <p>To simplify the use of this qualifier, you can define logical names for the site locations in the SYLOGICALS.COM command procedure prior to using /SITE. (This qualifier is also available with the SET SHADOW command, although SET SHADOW does not support the use of logical names.)</p> <p>The valid range for the site location, represented by n, is 1 through 255.</p> <p>After you apply this qualifier, the setting remains in effect until you change it either with this command or with the SET SHADOW/SITE command. If the member is removed from the shadow set and later returned, this qualifier must be specified again.</p> <p>The following example first shows how to define the site locations and then shows how to use the /SITE qualifier:</p> <pre> \$ DEFINE/SYSTEM/EXEC ZKO 1 \$ DEFINE/SYSTEM/EXEC LKG 2 \$! \$! At the ZKO site ... \$ MOUNT/SYSTEM DSA0:/SHAD=(\$1\$DGA0:,\$1\$DGA1:) TEST \$ SET DEVICE/SITE=ZKO DSA0: \$! \$ At the LKG site... \$ MOUNT/SYSTEM DSA0:/SHAD=(\$1\$DGA0:,\$1\$DGA1:) TEST \$ SET DEVICE/SITE=LKG DSA0: \$! \$! At both sites, the following would be used: \$ SET SHADOW/SITE=ZKO \$1\$DGA0: \$ SET SHADOW/SITE=LKG \$1\$DGA1: </pre> <p>In this example, \$1\$DGA0: is the physically local device and will be the preferred device for reads.</p> <p>In a Fibre Channel configuration, shadow set members at different sites are directly attached to the system. The distinction of local and remote for multiple-site Fibre Channel configurations does not exist for the Volume Shadowing and cluster software.</p>

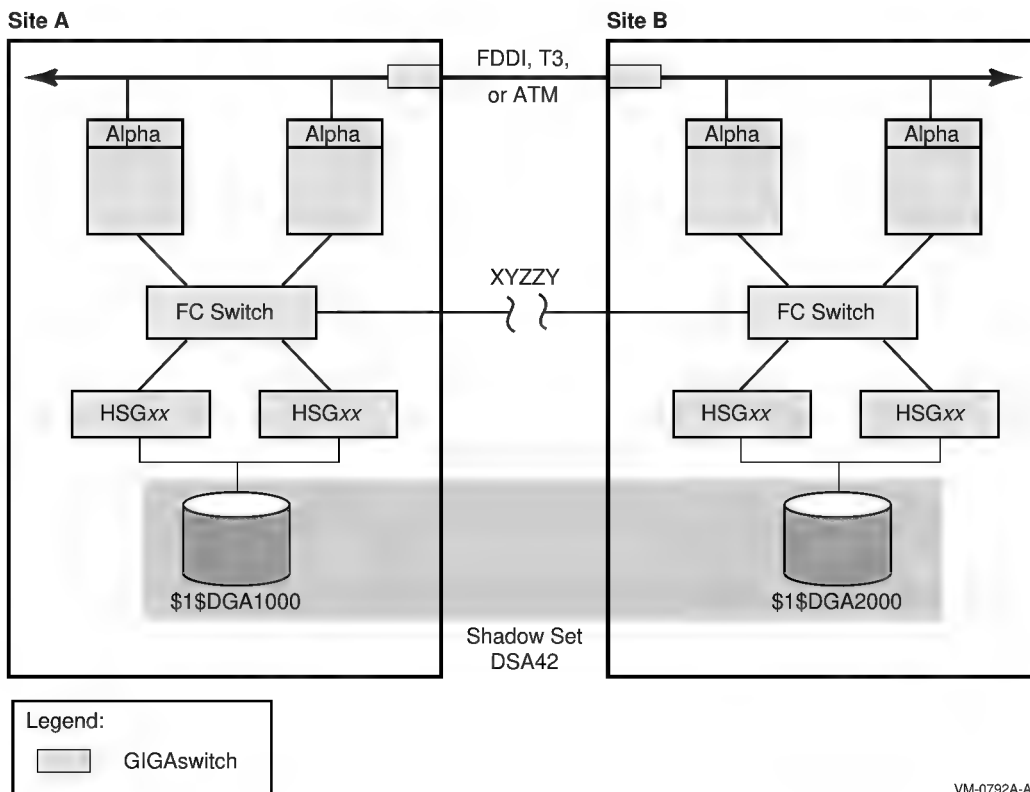
How to Use the Multiple-Site SET DEVICE and DISMOUNT Command Qualifiers

Figure 4-1 depicts a typical multiple-site cluster using Fibre Channel. The figure illustrates the steps required to recover one site manually when the site-to-site storage interconnect fails. These steps must be taken for multiple-site OpenVMS Cluster systems that are running:

- Earlier versions of OpenVMS (prior to OpenVMS Alpha Version 7.3-1) that do not support MSCP failover to a served path
- Versions of OpenVMS Alpha that support MSCP failover to a served path (Version 7.3-1 and higher) but serve only a subset of their disks.

If you have chosen to serve only a subset of the disks in your configuration, you must use this configuration method for site recovery for the disks that are not served. One reason to serve only a subset of your disks is that failover of the served disks, from a Fibre Channel interconnect to the LAN interconnects and the inter-site link, can put a very heavy load on these interconnects, which can seriously degrade performance.

Figure 4-1 Multiple-Site OpenVMS Cluster System With FC and LAN Interconnects



To prevent the shadowing driver from automatically recovering shadow sets from connection-related failures, you must perform the following three configuration tasks prior to any failure:

1. Every device that is a member of a multiple-site shadow set must have its MEMBER_TIMEOUT setting raised to a high value, using the following command:

```
$ SET DEVICE /MEMBER_TIMEOUT=x ddcu:
```

This command will override the SHADOW_MBR_TMO value, which would normally be used for a shadow set member. A value for x of 259200 would be a 72-hour wait time.

2. Every shadow set that spans multiple sites must have its mount verification timeout setting raised to a very high value, higher than the MEMBER_TIMEOUT settings for each member of the shadow set.

Use the following command to increase the mount verification timeout setting for the shadow set:

```
$ SET DEVICE /MVTIMEOUT=y DSAxxxx
```

The y value of this command should always be greater than the x value of the SET DEVICE/MEMBER_TIMEOUT=x ddcu: command.

The SET DEVICE /MVTIMEOUT =y command will override the MVTIMEOUT value, which would normally be used for the shadow set. A value for y of 262800 would be a 73-hour wait.

3. Every shadow set and every shadow set member must have a site qualifier. As already noted, a site qualifier will ensure that the read cost is correctly set. The other critical factor is three-member shadow sets. When they are being used, the site qualifier will ensure that the master member of the shadow set will be properly maintained.

Figure 4-1 shows a shadow set DSA42, whose members are devices \$1\$DGA1000 and \$1\$DGA2000. Systems at Site A or Site B have direct access to all devices at both sites via Fibre Channel connections. XYZZY is a theoretical point between the two sites. If the Fibre Channel connection were to break at this point, each site could access different "local" members of DSA42 without error.

For the purpose of this example, Site A will be the sole site chosen to retain access to the shadow set.

The following steps must be taken to recover the shadow set at Site A.

1. On Site A, issue the following command:

```
$ DISMOUNT /FORCE_REMOVAL=$1$DGA2000:
```

Once the command has completed, the shadow set will be available for use only at site A.

2. On Site B, issue the following command:

```
$ SET DEVICE /ABORT_VIRTUAL_UNIT DSA42:
```

Once the command has completed, the shadow set status will be MntVerifyTimeout.

3. Next, issue the following command to free up the shadow set:

```
$ DISMOUNT/ABORT DSA42:
```

These steps must be taken for all affected multiple-site shadow sets.

Managing Copy and Merge Operations (Alpha Only)

Copies and merges performed by the volume shadowing software are regulated automatically by the locking software and by the setting of SHADOW_MAX_COPIES. Many customers want greater control over the order of copies and merges; they also want to be able to specify on which nodes copy operations will take place.

The SET SHADOW command, introduced in OpenVMS Alpha Version 7.3-2, provides these controls. All SET SHADOW qualifiers pertain to shadow sets, and some can also be applied to individual shadow set members, as described in Table 4-4. The qualifiers remain in effect until the device (shadow set or shadow set member) is dismounted. If the device is remounted (in the case of a shadow set member, returned to the shadow set from which it was dismounted), the qualifier must be specified again. The SET SHADOW command requires the VOLPRO privilege.

Managing Copy and Merge Operations (Alpha Only)

These qualifiers act upon the shadow set or the shadow set member that you specify, as described in Table 4-4. The following example shows how to specify qualifiers for a shadow set (DSAnnnn:):

```
$ SET SHADOW DSAnnnn:/qualifier/qualifier
```

Some of these qualifiers are also available for the SET DEVICE command, as shown in Table 4-3, and perform the same function. If the qualifier is also available for the SET DEVICE command, it is noted here.

Table 4-4 SET SHADOW Command Qualifiers for Multiple-Site Shadow Set Members

Qualifier	Function
/ABORT_VIRTUAL_UNIT DSAnnnn:	<p>Aborts mount verification immediately, provided the shadow set is in mount verification on the node where the command is issued. If the shadow set is not in mount verification, this command returns the error %SYSTEM-E-UNSUPPORTED, unsupported operation or function.</p> <p>This qualifier is intended for use when the shadow set cannot be recovered. After this command completes, the shadow set must still be dismounted. To do so, use the following command:</p> <p>\$ DISMOUNT/ABORT DSAnnnn:</p> <p>This qualifier is also available for the SET DEVICE command.</p>
/COPY_SOURCE {ddcu:, DSAnnnn:}	<p>Controls whether one (ddcu:) or both (DSAnnnn) source members of a shadow set are used as the source for read data during full copy operations when a third member is added to the shadow set. This qualifier affects only copy operations that do not use disk copy data (DCD) commands.</p> <p>Some storage controllers, such as the HSG80, have a read-ahead cache, which significantly improves single-disk read performance. Copy operations normally alternate reads between the two source members, which effectively nullifies the benefits of the read-ahead cache. This qualifier lets you force all reads from a single, specified source member for a copy operation.</p> <p>If only a shadow set (DSAnnnn) is specified, all reads for full copy operations will be performed from the disk that is the current "master" member, regardless of physical location of the disk.</p> <p>If a shadow set member (ddcu:) is specified, that member will be used as the source of all copy operations. This allows you to choose a local source member rather than a remote master member.</p> <p>This qualifier is also available for the SET DEVICE command.</p>
/DEMAND_MERGE	<p>Initiates a merge operation on the specified shadow set. This qualifier is useful if the shadow set was created with the INITIALIZE/SHADOW command without the use of the /ERASE qualifier. For more information about this qualifier, see "Using /DEMAND_MERGE to Start a Merge Operation" on page 71.</p>

Table 4-4 SET SHADOW Command Qualifiers for Multiple-Site Shadow Set Members (Continued)

Qualifier	Function
/FORCE_REMOVAL ddcu	<p>Expels the specified shadow set member from the shadow set.</p> <p>If connectivity to a device has been lost and the shadow set is in mount verification, this qualifier causes the member to be expelled from the shadow set immediately.</p> <p>If the shadow set is not currently in mount verification, no immediate action is taken. If connectivity to a device has been lost but the shadow set is not in mount verification, this qualifier lets you flag the member to be expelled from the shadow set as soon as it does enter mount verification.</p> <p>The specified device must be a member of a shadow set that is mounted on the node where the command is issued.</p>
/LOG	<p>Instructs the volume shadowing software to display a brief message that confirms that the SET SHADOW command completed. If /OUTPUT is also specified, this information is written to the output file.</p>
/MEMBER_TIMEOUT =n ddcu:	<p>Specifies the timeout value to be used for a shadow set member. The value supplied by this qualifier overrides the system parameter SHADOW_MBR_TMO for this specific device. Each member of a shadow set can be assigned a different MEMBER_TIMEOUT value.</p> <p>The valid range for n is 1 to 16777215 seconds.</p> <p>The specified device must be a member of a shadow set that is mounted on the node where the command is issued. This qualifier is also available for the SET DEVICE command.</p>
/MVTIMEOUT=n DSAnnnn:	<p>Specifies the mount verification timeout value to be used for this shadow set, specified by its virtual unit name, DSAnnnn:.</p> <p>The value supplied by this qualifier overrides the value specified by the system parameter MVTIMEOUT for this specific shadow set.</p> <p>The valid range for n is 1 to 16777215 seconds. The specified shadow set must be mounted on the node where the command is issued.</p> <p>After you apply this qualifier, the setting remains in effect as long as the shadow set is mounted. If the shadow set is dismounted and later remounted, this qualifier must be specified again.</p> <p>This qualifier is also available for the SET DEVICE command.</p>
/OUTPUT=file-name	<p>Outputs any messages to the specified file.</p>

Table 4-4 SET SHADOW Command Qualifiers for Multiple-Site Shadow Set Members (Continued)

Qualifier	Function
/READ_COST=n ddcu:	<p>Enables you to modify the default “cost” assigned to each member of a shadow set. By modifying the assignments, you can bias the reads in favor of one member of a two-member shadow set, or, in the case of three-member shadow sets, in favor of one or two members of the set over the remaining members.</p> <p>The device specified must be a member of a shadow set that is mounted on the node where the command is issued.</p> <p>The valid range for n is 1 to 65,535 units.</p> <p>The shadowing driver assigns default READ_COST values to shadow set members when each member is initially mounted. The default value depends on the device type and its configuration relative to the system mounting it. The following list of device types is ordered by the default READ_COST assignments, from the lowest cost to the highest cost:</p> <ul style="list-style-type: none"> • DECram device • Directly connected device in the same physical location • Directly connected device in a remote location • DECram served device • Default value for other served devices <p>The value supplied by the /READ_COST qualifier overrides the default assignment. The shadowing driver adds the value of the current queue depth of the shadow set member to the READ_COST value and then reads from the member with the lowest value.</p> <p>After you have applied this qualifier to a member, the setting remains in effect as long as the member is part of the shadow set. If the member is removed from the shadow set and later returned, this qualifier must be specified again.</p> <p>Different systems in the cluster can assign different costs to each shadow set member.</p> <p>If the /SITE command qualifier has been specified, the shadowing driver takes site values into account when it assigns default READ_COST values. In order for the shadowing software to determine whether a device is in the category of “directly connected device in a remote location,” the /SITE command qualifier must have been applied to both the shadow set and the shadow set member.</p> <p>Reads requested for a shadow set from a system at site 1 are performed from a shadow set member that is also at site 1. Reads requested for the same shadow set from site 2 can read from the member located at site 2.</p> <p>This qualifier is also available for the SET DEVICE command.</p>

Table 4-4 SET SHADOW Command Qualifiers for Multiple-Site Shadow Set Members (Continued)

Qualifier	Function
/READ_COST =n DSAAnnnn:	<p>Switches the read cost setting for all shadow set members back to the default read cost settings established automatically by the shadowing software.</p> <p>The valid range for n is any number.</p> <p>The value supplied has no inherent meaning. DSAAnnnn must be a shadow set that is mounted on the node from which this command is issued.</p> <p>This qualifier is also available for the SET DEVICE command.</p>
/SITE =n (ddcu:, DSAAnnnn:)	<p>Sets the site value either for the shadow set, represented by its virtual unit name, or for a specified shadow set member. (This qualifier is also available for the SET DEVICE command.)</p> <p>The SHADOW_SITE_ID system parameter defines the default site location of the shadow set. You can override the default location of the shadow set with this qualifier. The valid range for the site location, represented by n is 1 through 255.</p> <p>After you apply this qualifier, the setting remains in effect until you change it either with this command or with the SET DEVICE/SITE command.</p> <p>This qualifier can improve read performance because the member that is physically local to the system will be the preferred disk from which to read, provided that you specify the /SITE qualifier for each shadow set member and for the shadow set.</p> <p>This qualifier is also available for use with the SET SHADOW command, although SET SHADOW does not support the use of logical names.)</p>

Using /DEMAND_MERGE to Start a Merge Operation

The /DEMAND_MERGE qualifier was created to force a merge operation on shadow sets that were created with the INITIALIZE/SHADOW command without specifying the /ERASE qualifier. The /DEMAND_MERGE qualifier ensures that all blocks not in use by active files are the same. The system manager can enter this command at a convenient time. If the /ERASE qualifier was not used when the shadow set was created with /INITIALIZE/SHADOW, and the SET SHADOW/DEMAND_MERGE command has not been executed, then the higher overhead of a full merge operation on this shadow set will be encountered after a system failure.

System managers can also use the SET SHADOW/DEMAND_MERGE command if the ANALYZE/DISK/SHADOW command found differences between the members of the shadow set (see "Using ANALYZE/DISK/SHADOW to Examine a Shadow Set" on page 80).

SHOW SHADOW Management Functions

The SHOW SHADOW command reports on the status of the specified shadow set and indicates whether a merge or copy operation is required, depending on the qualifier that you specify. If a merge or copy operation is required, this command reports whether it is pending or in progress. The qualifiers are described in this section. To use this command, specify the shadow set's virtual unit name, followed by the qualifiers you want to use, as shown in the following example:

```
$ SHOW SHADOW DSAAnnnn:/qualifier/qualifier/
```

/ACTIVE

This qualifier returns one of three possible states:

- Merge or copy is not required
- Copy is in progress on node nnnnx at LBN xxxx
- Merge is in progress on node nnnnx

/COPY

This qualifier returns one of three possible states:

- Copy is not required
- Copy is pending
- Copy is in progress on node nnnnx at LBN xxxx

/MERGE

This qualifier returns one of three possible states:

- Merge is not required
- Merge is pending
- Merge is in progress on node nnnnx at LBN xxxx

/OUTPUT=file-name

This qualifier outputs any messages to the specified file.

Example 4-10 shows sample output from the SHOW SHADOW command:

Example 4-10 SHOW SHADOW Sample Output

```
$ SHOW SHADOW DSA716:
```

```
_DSA716: TST716
Virtual Unit SCB Status: 0001 - normal
Local Virtual Unit Status: 00000010 - Local Read

Total Devices      2      VU_UCB      810419C0
Source Members    2      SCB LBN      000009C8
Act Copy Target    0      Generation   00A15F90
Act Merge Target   0      Number       EDA9D786
Last Read Index    0      VU Site Value      5
Master Mbr Index   0      VU Timeout Value  3600
Copy Hotblocks     0      Copy Collisions    0
SCP Merge Repair Cnt 0      APP Merge Repair Cnt 0

Device $252$DUA716      Master Member
Index 0 Status 000000A0  src,valid
Ext. Member Status 00
Read Cost 42      Site 5
Member Timeout 120   UCB 8116FF80

Device $252$DUA1010
Index 1 Status 000000A0  src,valid
Ext. Member Status 00
```

Read Cost	500	Site 3
Member Timeout	120	UCB 811DD500

Removing Members and Dissolving Shadow Sets

You can remove shadow set members and dissolve shadow sets with the DCL command DISMOUNT. You must have GRPNAM and SYSNAM user privileges to dismount group and system volumes. You must also have the LOG_IO user privilege to use the /POLICY=[NO]MINICOPY [=OPTIONAL] qualifier).

The DISMOUNT command has the following format:

```
DISMOUNT {device-name[:] virtual-unit-name}
```

The action taken differs depending on whether you specify an individual shadow set member or the shadow set (by its virtual unit name) on the DISMOUNT command:

- If you specify the device name of a shadow set member, only that member is dismounted, and the remaining shadow set members continue servicing I/O requests.
- If you specify a shadow set virtual unit, all shadow set members are dismounted and the shadow set is dissolved.

To dismount a shadow set that is mounted across an OpenVMS Cluster system, include the /CLUSTER qualifier with the DISMOUNT command. If you dismount a shadow set without including the /CLUSTER qualifier, only the node from which you issued the command dismounts the shadow set. The shadow set remains operational on the other OpenVMS Cluster nodes that have the shadow set mounted.

If the disks on your system are neither SCSI nor Fibre Channel disks, you can use the /NOUNLOAD qualifier on the DISMOUNT command to prevent the disk volume or volumes from spinning down. The devices remain in a ready state. If you specify the /UNLOAD qualifier when dismounting a virtual unit, the disk volumes are physically spun down after the shadow set is dissolved. See the HP OpenVMS DCL Dictionary for more information about using the DISMOUNT command and its qualifiers.

Removing Members from Shadow Sets

To remove an individual member from a shadow set, specify the name of the physical device with the DISMOUNT command. For example:

```
$ DISMOUNT $5$DUA7:
```

When you dismount an individual shadow set member, all outstanding I/O operations are completed and the member is removed from the set.

Starting with OpenVMS Alpha Version 7.3, the /FORCE_REMOVAL ddcu: qualifier is available. If connectivity to a device has been lost and the shadow set is in mount verification, /FORCE_REMOVAL ddcu: can be used to immediately expel a named shadow set member (ddcu:) from the shadow set. If you omit this qualifier, the device is not dismounted until mount verification completes. Note that this qualifier cannot be used in conjunction with the /POLICY=[NO]MINICOPY [=OPTIONAL] qualifier.

The device specified must be a member of a shadow set that is mounted on the node where the command is issued.

Removing Members and Dissolving Shadow Sets

The /FORCE_REMOVAL qualifier gives system managers greater control of shadow sets whose members are located at different sites in an OpenVMS Cluster configuration. SET DEVICE and SET SHADOW command qualifiers are also available for specifying disaster-tolerant management attributes for shadow set members, as described in “Specifying Disaster-Tolerant Management Attributes (Alpha Only)” on page 60 and in “Managing Copy and Merge Operations (Alpha Only)” on page 67.

NOTE You cannot dismount a device if it is the only source member in a shadow set. All shadow sets must have at least one valid source member. If you try to dismount the only source member device, the DISMOUNT command fails and returns the message:

```
%DISM-F-SRCMEM, Only source member of shadow set cannot be dismounted
```

The only way to dismount the last source member of a shadow set is to dissolve the shadow set by specifying the virtual unit name on the DISMOUNT command.

Dissolving Shadow Sets

The way you dissolve a shadow set depends on whether it is mounted on a single system or on two or more systems in an OpenVMS Cluster system. In both cases, you use the DISMOUNT command. If the shadow set is mounted on a single system, you will dissolve the shadow set by specifying its virtual unit name with the DISMOUNT command. If the shadow set is mounted in a cluster, you must include the /CLUSTER qualifier to dissolve the DSA36 shadow set across the cluster. For example:

```
$ DISMOUNT /CLUSTER DSA36:
```

Dismounting the shadow set can be done only after all files are closed, thereby ensuring that the dismounted disks are fully consistent from a file system perspective. The dismount operation marks the shadow set members as being properly dismounted so that a rebuild is not required the next time the disks are mounted. However, if a merge operation was either pending or in progress, then the dismount operation marks the shadow set members as being improperly dismounted and requires a merge operation.

NOTE If you dismount a virtual unit while a copy operation is in progress for the shadow set, the copy operation aborts and the shadow set is dissolved. You receive OPCOM messages similar to those in the following example:

```
$ DISMOUNT DSA9999:
%%%%%%%%%%%% OPCOM 24-MAR-1990 20:29:57.52 %%%%%%%%%%%%%
$7$DUA6: (WRKDSK) has been removed from shadow set.
%%%%%%%%%%%% OPCOM 24-MAR-1990 20:29:57.68 %%%%%%%%%%%%%
$7$DUA56: (PLADSK) has been removed from shadow set.
%%%%%%%%%%%% OPCOM 24-MAR-1990 20:29:57.88 %%%%%%%%%%%%%
Message from user SYSTEM on SYSTEMX
```

Dismounting Shadow Sets in Site-Specific Shutdown Procedures

Site-specific shutdown command procedures can be created for each system in your cluster, as described in the OpenVMS System Manager’s Manual. The default SHUTDOWN.COM procedure that ships with the operating system performs a DISMOUNT/ABORT/OVERRIDE=CHECKS operation on all mounted volumes. If files are left open on any mounted shadow sets, a merge operation will be required for these shadow sets when the system is rebooted.

To prevent such unnecessary merge operations, HP recommends that you modify each site-specific SYSHUTDOWN.COM command procedure to dismount the shadow sets without using the DISMOUNT/ABORT/OVERRIDE=CHECKS qualifiers. If open files are found, they should be closed.

Dismounting and Remounting With One Less Member for Backup

As discussed in “Dissolving Shadow Sets” on page 74, the virtual unit can be dismounted on the system or across an OpenVMS Cluster system. To ensure that the virtual unit has been dismounted correctly, the following steps are recommended:

1. Issue the MOUNT/NOWRITE command, followed by the SHOW DEVICE command, for example:

```
$ MOUNT/NOWRITE DSA42: /SHADOW=($4$DUA3,$4$DUA4,$4$DUA5) volume-label
$ SHOW DEVICE DSA42:
```

2. Observe that the virtual unit is in a steady state; that is, all members are consistent and no copy or merge operation is in progress. If a copy or merge operation is in progress, you must wait for the operation to complete.
3. When the virtual unit is in a steady state, remove a member from the shadow set with the DISMOUNT command, as shown in the following example:

```
$ DISMOUNT $4$DUA5
```

4. Dismount the virtual unit and then remount it with one less member, as shown by the following command:

```
$ DISMOUNT DSA42:
$ MOUNT/SYS DSA42: /SHADOW=($4$DUA3,$4$DUA4) volume-label
```

The shadow set member that was removed can now be used for a backup operation of the virtual unit.

NOTE If your application must run continuously (that is, you cannot dismount the virtual unit without disrupting your business), you can still remove a shadow set member that you plan to return later to the shadow set. Your application and recovery procedures must be designed to ensure data consistency, as described in “Guidelines for Using a Shadow Set Member for Backup” on page 123.

Displaying Information About Shadow Sets

You can use the DCL command SHOW DEVICE or the F\$GETDVI lexical function to get information about a shadow set virtual unit and the physical volumes that make up the members. You can also use the System Dump Analyzer (SDA) to get more information about shadow sets.

The following sections describe how to use these tools to examine volume shadowing virtual units and shadow set members. See also the HP OpenVMS DCL Dictionary for a full description of how to use the SHOW DEVICE command and the F\$GETDVI lexical function. See the OpenVMS Alpha System Analysis Tools Manual and the OpenVMS VAX System Dump Analyzer Manual for more information about how to use SDA on OpenVMS Alpha and OpenVMS VAX systems, respectively.

You can use any of the SHOW DEVICE qualifiers when you examine shadow sets (by specifying a shadow set's virtual unit name) or shadow set members.

NOTE Because shadow sets are created and maintained individually on each node in the OpenVMS Cluster, the SHOW DEVICE display does not list shadow sets that have been created on only remote nodes.

Listing Shadow Sets

Use SHOW DEVICE in the following format to display information about shadow sets:

```
SHOW DEVICE [virtual-unit-name[:]]
```

The variable virtual-unit-name replaces device-name as the SHOW DEVICE command parameter for shadow sets. Use the virtual unit naming format DSA:n.

As with any SHOW DEVICE command, the colon is optional. Note also that you can specify a complete virtual unit name (or a portion of a virtual unit name) just as you can with device names. If you omit the virtual unit number, SHOW DEVICE lists all the shadow set virtual units that represent shadow set member disks of the type specified. If you truncate a device name (for example, if you specify D), SHOW DEVICE lists all the devices and all the virtual units that begin with the letters you entered (in this case, D).

When you specify the virtual unit number, SHOW DEVICE displays the names of the shadow set members it represents. If you use the /FULL qualifier, SHOW DEVICE displays full information about the shadow set and all the associated shadow set members.

Because individual shadow set members that are mounted for systemwide or clusterwide access are not allocated or mounted in the traditional sense, a SHOW DEVICE command with the /ALLOCATED or /MOUNTED qualifiers displays only virtual units.

Listing Shadow Set Members

Use the same format for the SHOW DEVICE command with shadow set members as you use with other physical devices. The command lists all shadow set members of the device name you specify.

Because shadow set members are not mounted in a traditional sense and they all have the same device characteristics, SHOW DEVICE displays most of the relevant data with the associated virtual unit. Listings of shadow set members include information about current membership status.

If a shadow set is undergoing a copy or a merge operation, the display resulting from the SHOW DEVICE command includes the percentage of the disk that has been copied or merged. The SHOW DEVICE information is available on all nodes that have the shadow set mounted.

The SHOW DEVICE display indicates the exact percentage of the disk that has been copied. The node that is managing the copy operation knows precisely how far the copy or merge operation has progressed, and periodically notifies the other nodes in the OpenVMS Cluster of the progress. Thus, the other nodes in the cluster know approximately the percentage copied. When you enter the SHOW DEVICE command from a node other than the one where the copy or merge operation is taking place, the number indicating the percentage copied in the SHOW DEVICE output lags (by a small percentage) the actual percentage copied.

Note that if a copy and a merge operation are occurring at the same time in the same shadow set, the number indicating the percentage merged remains static until the copy completes. Then the merge operation proceeds to completion.

SHOW DEVICE Examples for Shadow Set Information

The following examples of output from the SHOW DEVICE command illustrate the types of shadow set information you can obtain, such as shadow set membership and the status of each shadow set member during copy and merge operations. For examples of output for write bitmaps used with the minicopy operation, see “Managing Write Bitmaps With DCL Commands” on page 121.

Examples

\$ SHOW DEVICE D

Device Name	Device Status	Error Count	Volume Label	Free Blocks	Trans Count	Mnt Cnt
DSA0:	Mounted	0	SHADOWDISK	8694	151	1
DSA9999:	Mounted	0	APPARTITION	292971	1	1
\$4\$DUA0: (SYSTEMX)	Online	0				
\$4\$DUA8: (HSJ001)	ShadowSetMember	0	(member of DSA0:)			
\$4\$DUA10: (SYSTEMX)	ShadowSetMember	0	(member of DSA9999:)			
\$4\$DUA11: (SYSTEMX)	ShadowSetMember	0	(member of DSA9999:)			
\$4\$DUA12: (SYSTEMX)	ShadowSetMember	0	(member of DSA9999:)			
\$4\$DUA89: (HSJ002)	ShadowSetMember	0	(member of DSA0:)			

By truncating the device name, you cause the SHOW DEVICE command to list all the devices and all the virtual units on the local node that begin with the letters you entered (in this case, D). This example shows that two virtual units, DSA0 and DSA9999, are active. Both shadow sets are in a steady state. The device status “ShadowSetMember” indicates that the shadow set is in a steady state—the shadow set members are consistent with each other.

\$ SHOW DEVICE DSA8

Device Name	Device Status	Error Count	Volume Label	Free Blocks	Trans Count	Mnt Cnt
DSA8:	Mounted	0	APPARTITION	890937	1	1
\$11\$DUA8: (SYSTEMX)	ShadowSetMember	0	(member of DSA8:)			
\$11\$DUA89: (SYSTEMY)	ShadowSetMember	0	(member of DSA8:)			

This example shows the membership and status of the shadow set represented by the DSA8 virtual unit. The SHOW DEVICE display provides information not only about the virtual unit DSA8, but also about the physical devices \$11\$DUA8 and \$11\$DUA89 that are members of the shadow set. The device status “ShadowSetMember” indicates that the shadow set is in a steady state—the shadow set members are consistent with each other. The shadow set members are being served by OpenVMS Cluster nodes SYSTEMX and SYSTEMY.

\$ SHOW DEVICE DSA

Device Name	Device Status	Error Count	Volume Label	Free Blocks	Trans Count	Mnt Cnt
DSA7:	Mounted	0	PHANTOM	27060	35	7
DSA8:	Mounted	0	APPARTITION	890937	4	6

You might specify DSA on the SHOW DEVICE command to request information about all the shadow sets on the local node. Entering a generic virtual unit name, such as DSA, as a parameter produces a display of all virtual units representing shadow sets mounted on the local system. This example shows that two shadow sets are mounted on the local node, represented by the virtual units DSA7 and DSA8.

\$ SHOW DEVICE \$11\$DUA8:

Device Name	Device Status	Error Count	Volume Label	Free Blocks	Trans Count	Mnt Cnt
-------------	---------------	-------------	--------------	-------------	-------------	---------

Displaying Information About Shadow Sets

```

DSA8:                Mounted          0 APPARTITION      890937      1  1
$11$DUA8:  (HSJ001) ShadowSetMember  0 (member of DSA8:)
$11$DUA89:  (HSJ002) ShadowSetMember  0 (member of DSA8:)
    
```

Although the SHOW DEVICE command specifies the name of a single device, the resulting display includes information about the membership and status of the shadow set represented by the DSA8 virtual unit to which the \$11\$DUA8 device belongs. The device status "ShadowSetMember" indicates that the shadow set is in a steady state--the shadow set members are consistent with each other. The shadow set members are accessed through the node named HSJ 001.

\$ SHOW DEVICE \$11\$DUA8:

```

Device              Device      Error   Volume      Free  Trans  Mnt
  Name              Status      Count   Label      Blocks Count  Cnt
DSA8:              Mounted          0 APPARTITION  890937    1  1
$11$DUA8:  (HSJ001) ShadowSetMember  0 (member of DSA8:)

$11$DUA89: (HSJ002) ShadowCopying  0 (copy trgt DSA8:  48% copied)
    
```

The output from this SHOW DEVICE command shows a shadow set that is in a transient state. The device status "ShadowCopying" indicates that the physical device \$11\$DUA89 is the target of a copy operation, and 48% of the disk has been copied. The device \$11\$DUA8 is the source member for the copy operation.

\$ SHOW DEVICE DSA8

```

Device              Device      Error   Volume      Free  Trans  Mnt
  Name              Status      Count   Label      Blocks Count  Cnt
DSA8:              Mounted          0 APPARTITION  890937    1  12
$11$DUA8:  (HSJ001) ShadowCopying  0 (copy trgt DSA8:  5% copied)
$11$DUA89: (HSJ002) ShadowMergeMbr  0 (merging DSA8:   0% merged)
    
```

This example shows how the SHOW DEVICE command displays a shadow set during a copy operation after a node in an OpenVMS Cluster system fails. In this example, the shadow set members are located on different nodes in the cluster, and one node on which the shadow set is mounted fails. At the time of the failure, the shadow set was in a transient state, with the \$11\$DUA8 device undergoing a copy operation. The SHOW DEVICE command shows the state of the shadow set during the copy operation, before the merge operation occurs.

At the same time the \$11\$DUA89 shadow set member is acting as the source member for the copy operation, \$11\$DUA89 also accepts and performs I/O requests from applications running on the OpenVMS Cluster system. Once the copy operation completes, a merge operation automatically starts. See Chapter 6 for more information about merge operations.

The next example shows how the SHOW DEVICE command display looks during the merge operation.

\$ SHOW DEVICE DSA8

```

Device              Device      Error   Volume      Free  Trans  Mnt
  Name              Status      Count   Label      Blocks Count  Cnt
DSA8:              Mounted          0 APPARTITION  890937    1  1
$11$DUA8:  (HSJ001) ShadowMergeMbr  0 (merging DSA8:  78% merged)
$11$DUA89: (HSJ002) ShadowMergeMbr  0 (merging DSA8:  78% merged)
    
```

The SHOW DEVICE command produces a display similar to this example when a shadow set is in a transient state because of a merge operation. The merge operation is 78% complete.

\$ SHOW DEV D

Device Name	Device Status	Error Count	Volume Label	Free Blocks	Trans Count	Mnt Cnt
DSA456: (FUSS)	Mounted	0	AUDITINGDISK	123189	225	17
\$11\$DIA1: (LIBEN)	Online	0				
\$11\$DJA16: (GALEXI)	Online	0				
\$11\$DJA128: (GALEXI)	Mounted wrtlck	0	CORPORATEVOL	164367	1	18
\$11\$DJA134: (GALEXI)	Mounted	0	WORKVOLUME	250344	1	16
\$11\$DUA1: (FUSS)	Mounted	0	MAR24DISKVOL	676890	1	18
\$11\$DUA2: (FUSS)	ShadowSetMember	0	(member of DSA456:)			
\$11\$DUA7: (BLISS)	Online	0	(remote shadow member)			
\$11\$DUA11: (LIBEN)	Mounted	0	RMSFILES	621183	1	18
\$11\$DUA13: (BLISS)	Mounted	0	RESIDENTVOL	525375	1	18

This example shows how the SHOW DEVICE command displays remote shadow set members. In this display, the device \$11\$DUA7, whose description is "remote shadow member," is a member of a shadow set that is not mounted on this system.

\$ SHOW DEVICE/FULL DSA80

Disk DSA80:, device type MSCP served SCSI disk, is online, mounted, file-oriented device, shareable, available to cluster, error logging is enabled.

Error count	0	Operations completed	138
Owner process	"	Owner UIC	[SHADOW]
Owner process ID	00000000	Dev Prot	S:RWED,O:RWED,G:RWED,W:RWED
Reference count	1	Default buffer size	512
Total blocks	891072	Sectors per track	51
Total cylinders	1248	Tracks per cylinder	14
Volume label	"SHADTEST1"	Relative volume number	0
Cluster size	3	Transaction count	1
Free blocks	890937	Maximum files allowed	111384
Extend quantity	5	Mount count	4
Mount status	System	Cache name	"_DSA2010:XQPCACHE"
Extent cache size	64	Maximum blocks in extent cache	89093
File ID cache size	64	Blocks currently in extent cache	0
Quota cache size	0	Maximum buffers in FCP cache	216

Volume status: subject to mount verification, file high-water marking, write-through caching enabled.
 Volume is also mounted on BLASTA, CNASTA, SHASTA.

Disk \$255\$DUA56:, device type MSCP served SCSI disk, is online, member of shadow set DSA80:, error logging is enabled.

Error count	0	Shadow member operation count	301
Host name	"SHASTA"	Host type, avail	VAX 6000-320,yes
Allocation class	255		

Volume status: volume is a merge member of the shadow set.

Disk \$255\$DUA58:, device type MSCP served SCSI disk, is online, member of shadow set DSA80:, error logging is enabled.

Error count	0	Shadow member operation count	107
-------------	---	-------------------------------	-----

Displaying Information About Shadow Sets

```
Host name           "SHASTA"      Host type, avail   VAX 6000-320,yes
Allocation class    255
```

Volume status: volume is a merge member of the shadow set.

This example shows how the SHOW DEVICE/FULL command displays detailed information about the shadow set and its members. Notice that both members, \$255\$DUA56 and \$255\$DUA58, are merge members. "Displaying Shadow Set Information With SDA" on page 82 shows what this shadow set looks like when it is examined using the System Dump Analyzer.

Using ANALYZE/DISK/SHADOW to Examine a Shadow Set

The /SHADOW qualifier for the ANALYZE/DISK utility can be used to examine either a specified range of blocks in a shadow set or the entire contents of a shadow set. The ANALYZE/DISK/SHADOW command is useful if the INITIALIZE/SHADOW command was used without the /ERASE qualifier to initialize a shadow set. Another use of ANALYZE/DISK/SHADOW is to exercise the I/O subsystem.

In the unlikely event a discrepancy is found, the shadowset's clusterwide write lock is taken on the shadow set, and the blocks are reread. If a discrepancy is still present, the file name is displayed and the data block containing the discrepancy is dumped to the screen or to a file if /OUTPUT was specified. If no discrepancy is found on the second read, then the error is considered transient (a write was in flight to that disk block). Although the transient error is logged in the summary, verification that all members contained the same information is considered a success.

Differences outside the file system are expected if INITIALIZE/SHADOW was used without the /ERASE qualifier to initialize a shadow set. Differences are also expected in the following system files:

- SWAPFILE*.*
- PAGEFILE*.*
- SYSDUMP.DMP
- SYS\$ERRLOG.DMP

Table 4-5 describes the qualifiers for the ANALYZE/DISK/SHADOW command.

Table 4-5 ANALYZE/DISK/SHADOW Command Qualifiers

Qualifier	Function
/BLOCKS={START:n,COUNT:x,END:y), FILE_SYSTEM, ALL}	<p>Compare only the range specified. The options are:</p> <ul style="list-style-type: none"> START:n = Number of the first block to be analyzed; the default is the first block. COUNT:x = Number of blocks to be analyzed. This option is an alternative to the END option; you can specify both. END:y = Number of the last block to be analyzed; the default is the last block of the volume. FILE_SYSTEM = Blocks currently in use by valid files on the disk. This is the default. ALL = All blocks on the disk. <p>You can specify START/END/COUNT and either ALL or FILE_SYSTEM. For example, if you specify /BLOCKS=(START, END, COUNT:100, ALL), the software checks the first 100 blocks on the disk, regardless of whether they are in use by the file system.</p> <p>If you specify /BLOCKS=(START, END, COUNT:100, FILE_SYSTEM), the software checks only those blocks in the first 100 blocks that are in use by valid files on the disk.</p>
/BRIEF	Displays only the logical block number (LBN) if a difference is found. Without this qualifier, if differences exist for an LBN, the hexadecimal data of that block will be displayed for each member.
/[NO]IGNORE	Ignore "special" files, which are likely to have some blocks with different data. These differences are not unusual and can be ignored. These special files are SWAPFILE*.*, PAGEFILE*.*, SYSDUMP.DMP, and SYS\$ERRLOG.
/OUTPUT=file-name	Outputs the information to the specified file.
/STATISTICS	Display only the header and footer. The best use of this is with /OUTPUT.

Example 4-11 shows the use of the ANALYZE/DISK/SHADOW command with the /BRIEF and /BLOCK qualifiers.

Example 4-11 ANALYZE/DISK/SHADOW Sample Output

```
$ ANALYZE/DISK/SHADOW/BRIEF/BLOCK=COUNT=1000 DSA716:
Starting to check _DSA716: at 14-MAY-2003 13:42:52.43
Members of shadow set _DSA716: are _$252$MDA0: _$252$DUA716:
and the number of blocks to be compared is 1000.
Checking LBN #0 (approx 0%)
Checking LBN #127 (approx 12%)
Checking LBN #254 (approx 25%)
Checking LBN #381 (approx 38%)
Checking LBN #508 (approx 50%)
Checking LBN #635 (approx 63%)
Checking LBN #762 (approx 76%)
Checking LBN #889 (approx 88%)
```


Displaying Information About Shadow Sets

```
Fcopy Targets      0      Generation Num  28D47C20      Master FL          empty
Mcopy Targets     2      00935BC7      Restart FL         empty
Last Read Index   1      Virtual Unit Id 00000000
Master Index      0      12610050
```

----- SHAD Device summary for Virtual Unit DSA80 -----

```
Device $255$DUA56
Index 0 Device Status   A6 merge,cip,src,valid
UCB 810510D0      VCB 81400A00      Unit Id. 12A10038 000000FF
Merge LBN 0004B94D
Device $255$DUA58
Index 1 Device Status   A6 merge,cip,src,valid
UCB 81051260      VCB 81439800      Unit Id. 12A1003A 000000FF
Merge LBN 0004B94D
```

SDA> **exit**

The SDA utility's SHOW DEVICE command first displays device characteristics of the DSA80 virtual unit and the addresses of data structures. SDA then displays the DSA80 virtual unit status and the status of the individual shadow set members. Notice how the device status for each member reflects that the unit is in a merge state. For example, \$255\$DUA56 is shown with the following device status:

```
Device $255$DUA56
Index 0 Device Status   A6 merge, cip, src , valid

UCB 810510D0      VCB 81400A00      Unit Id. 12A10038 000000FF
Merge LBN 0004B94D
```

This information translates to the following:

- merge — \$255\$DUA56 is marked for a merge operation.
- cip — Copy in progress. In this example, a merge operation is in progress
- src — \$255\$DUA56 is considered asource member for the read operations.
- valid — The SCB information on \$255\$DUA56 is considered valid.

Notice also how both devices \$255\$DUA56 and \$255\$DUA58 show that, at the time the SDA took this “snapshot” of the shadow set, the merge operation is merging at LBN 0004B94D.

The following example shows an SDA display of the same shadow set when \$255\$DUA56 is a merge member and \$255\$DUA58 is the recipient of a copy operation. A shadow set can be in this merge/copy state when a node that has the shadow set mounted crashes while a member in the shadow set is undergoing a copy operation. Volume shadowing automatically marks the member undergoing the copy operation so that it receives a merge operation after the copy operation completes. This ensures consistency across the shadow set.

The example first shows output for one shadow set member, using the DCL command SHOW DEVICE \$255\$DUA58; then the example shows the output for the entire shadow set, using the SDA command SHOW DEVICE DSA80. (SDA is invoked by the ANALYZE/SYSTEM command.)

\$ **SHOW DEVICE \$255\$DUA58**

```
Device          Device      Error   Volume      Free  Trans  Mnt
 Name           Status     Count  Label       Blocks Count  Cnt
DSA80:         Mounted    0      SHADTEST1   890937  1     3

$255$DUA56:   (SHASTA)  ShadowMergeMbr    0 (merging DSA80:  0% merged)
$255$DUA58:   (SHASTA)  ShadowCopying     0 (copy trgt DSA80: 9% copied )
```

Creating and Managing Shadow Sets Using DCL Commands
Displaying Information About Shadow Sets

\$ ANALYZE/SYSTEM

VAX/VMS System analyzer

SDA> **SHOW DEVICE DSA80**

I/O data structures

 DSA80 RA81 UCB address: 810B7F50

Device status: 00021810 online,valid,unload,lcl_valid
 Characteristics: 1C4D4008 dir,fod,shr,avl,mnt,elg,idv,odv,rnd
 00082021 clu,mscp,loc,vrt

Owner UIC [004000,000015]	Operation count	130	ORB address	810B8080
PID 00000000	Error count	0	DDB address	813F49F0
Alloc. lock ID 009C2595	Reference count	1	DDT address	810EBBB8
Alloc. class 0	Online count	1	VCB address	810BE3F0
Class/Type 01/15	BOFF	0000	CRB address	8129EB10
Def. buf. size 512	Byte count	0000	PDT address	810121A0
DEVDEPEND 04E00E33	SVAPTE	00000000	CDDB address	813F4360
DEVDEPEND2 00000000	DEVSTS	0004	SHAD address	8111D460
FLCK index 34	RWAITCNT	0000	I/O wait queue	empty
DLCK address 00000000				

Shadow Device status: 0004 nocnvr

----- Shadow Descriptor Block (SHAD) 8111D460 -----

Virtual Unit status: 0061 normal,copying,merging

Members	1	Act user IRPs	0	VU UCB	810B7F50
Devices	2	SCB LBN	0006CC63	Master FL	empty
Fcopy Targets	1	Generation Num	7B7BE060	Restart FL	empty
Mcopy Targets	0		00935BC4		
Last Read Index	0	Virtual Unit Id	00000000		
Master Index	0		12610050		

----- SHAD Device summary for Virtual Unit DSA80 -----

Device \$255\$DUA56
 Index 0 Device Status A2 merge,src,valid
 UCB 810510D0 VCB 81400A00 Unit Id. 12A10038 000000FF
 Merge LBN FFFFFFFF
 Device \$255\$DUA58
 Index 1 Device Status 87 fcopy,merge,cip,valid
 UCB 81051260 VCB 81439800 Unit Id. 12A1003A 000000FF
 Copy LBN 00033671

In this example, in the SHAD Device summary for Virtual Unit DSA80 display, the device status (fcopy) for \$255\$DUA58 shows that it is the target of a full copy operation. The source of the operation is \$255\$DUA56; notice that the Merge LBN line for \$255\$DUA56 shows a series of Fs (FFFFFFFF). This notation indicates that a merge operation must be done after the copy operation completes. The Copy LBN line for the target disk \$255\$DUA58 shows that the copy operation is currently copying at LBN 00033671.

Using SDA to Obtain Information About Third-Party SCSI Devices

When you mount a SCSI disk, the SCSI disk class driver, DKDRIVER, checks the device-specific parameters to see whether the disk supports READL/WRITE commands.

If a SCSI disk does not support READL and WRITEL commands, DKDRIVER sets a NOFE (no forced error) bit to indicate that the disk cannot support the shadowing data repair (disk bad block errors) capability. You can use the SDA command SHOW DEVICE to check for the NOFE flag in the Characteristics field of the SDA display.

For SCSI devices that support READL and WRITEL operations, SDA displays a Characteristics field that does not contain the NOFE flag, similar to the following example:

Example 4-12 SDA Display of Third-Party SCSI Device

```
SDA> SHOW DEVICE DKA200:
I/O data structures
-----
COLOR$DKA200          Generic_DK          UCB address:  806EEAF0

Device status:  00021810  online,valid,unload,lcl_valid
Characteristics: 1C4D4008  dir,fod,shr,avl,mnt,elg,idv,odv,rnd
                  01010281  clu,srv,nnm,scsi
```

The Characteristics field does not show a NOFE bit set; therefore, device DKA200 can support shadowing data repair.

Obtaining Shadow Set Information With F\$GETDVI

The F\$GETDVI lexical function provides another method for obtaining information about devices mounted in shadow sets. Using F\$GETDVI, you can obtain general device and volume information and specific information about the shadow set status of the device or volume. For example, you can determine the following types of information:

- Whether a device is a shadow set virtual unit or a shadow set member
- Whether a copy operation is in progress on a device
- What type of copy operation is in progress on a device
- The name of the virtual unit that represents the shadow set of which the particular device is a member
- The entire membership of a shadow set, including the virtual unit and all of the members

You can use the F\$GETDVI lexical function interactively at the DCL command level or in a DCL command procedure. You can also use the \$GETDVI system service with volume shadowing (see “Using \$GETDVI to Obtain Information About Shadow Sets” on page 96).

The format for the F\$GETDVI lexical function is as follows:

F\$GETDVI (device-name,item)

You supply two arguments to the F\$GETDVI lexical function: a physical device name and the name of an item that specifies the type of information you want to obtain.

NOTE If you use the file-system-related item codes with the \$GETDVI system service to obtain meaningful system information (such as FREEBLOCK information) for a shadow set, you should specify the virtual unit name with the \$GETDVI service. If you specify the device name of one of the shadow set members, the \$GETDVI service returns a value of 0.

Displaying Information About Shadow Sets

Table 4-6 lists the items specific to volume shadowing that you can supply as arguments to the F\$GETDVI lexical function. It shows the type of information returned by each item and the data types of the return values. (The HP OpenVMS DCL Dictionary lists all the item codes that you can supply as an argument to F\$GETDVI.)

Table 4-6 F\$GETDVI Item Codes for Volume Shadowing

Item	Return Type	Information Returned
SHDW_CATCHUP_COPYING	String	Returns TRUE or FALSE to indicate whether the device is a member that is the target of a copy operation.
SHDW_COPIER_NODE	String	The name of the node that is actively performing the copy or merge operation.
SHDW_DEVICE_COUNT	Longword	The total number of devices in the virtual unit, including devices being added as copy targets.
SHDW_GENERATION	Quadword	The current internal revision number for the virtual unit. This value is subject to change.
SHDW_MASTER	String	Returns TRUE or FALSE to indicate whether the device is a virtual unit.
SHDW_MASTER_MBR	String	The name of the master member unit that will be used for merge and copy repair operations and for shadow set recovery operations.
SHDW_MASTER_NAME	String	Returns the name of the virtual unit that represents the shadow set of which the specified device is a member. F\$GETDVI returns a null string if the specified device is not a member or is, itself, a virtual unit.
SHDW_MBR_COPY_DONE	Longword	The percent of the copy operation completed on this member unit.
SHDW_MBR_COUNT	Longword	The number of full source members in the virtual unit. Devices being added as copy targets are not full source members.
SHDW_MBR_MERGE_DONE	Longword	The percent of the merge operation completed on this member unit.
SHDW_MBR_READ_COST	Longword	The current value set for the member unit. This value can be modified to use a user-specified value.
SHDW_MEMBER	String	Returns TRUE or FALSE to indicate whether the device is a shadow set member.
SHDW_MERGE_COPYING	String	Returns TRUE or FALSE to indicate whether the device is a member that is a merge member of the shadow set.
SHDW_MINIMERGE_ENABLE	Longword interpreted as a Boolean	A value of TRUE indicates that the virtual unit will undergo a minimerge, not a full merge, if a system in the cluster crashes.

Table 4-6 F\$GETDVI Item Codes for Volume Shadowing (Continued)

Item	Return Type	Information Returned
SHDW_NEXT_MBR_NAME	String	Returns the device name of the next member in the shadow set. If you specify a virtual unit, F\$GETDVI returns the device name of a member of the shadow set. If you specify the name of a shadow set member with the device name and item arguments, F\$GETDVI returns the name of the "next" member or a null string if there are no more members. To determine all the members of a shadow set, first specify the virtual unit to F\$GETDVI; on subsequent calls, specify the member name returned by the previous F\$GETDVI call until it has finished, when it returns a null member name.
SHDW_READ_SOURCE	String	The name of the member unit that will be used for reads at this time. The unit with the lowest sum total of its queue length and read cost is used. This is a dynamic value.
SHDW_SITE	Longword	Returns as a longword the site value for the specified device. This value is set by the SET DEVICE or SET SHADOW command.
SHDW_TIMEOUT	Longword	The user-specified timeout value set for the device. If the user has not set a value by using the SETSHOSHADOW utility, the value of the SYSGEN parameter SHADOW_MBR_TMO is used for member units and the value of MVTIMEOUT is used for virtual units.

Example

To check a device for possible shadow set membership, you could include the following DCL command in a command procedure:

```
$ IF F$GETDVI("WRKD$:", "SHDW_MEMBER") THEN GOTO SHADOW_MEMBER
```

If WRKD\$ (a logical name for a disk) is a shadow set member, then F\$GETDVI returns the string TRUE and directs the procedure to the volume labeled SHADOW_MEMBER.

See the HP OpenVMS DCL Dictionary for additional information about the F\$GETDVI lexical function.

5 Creating and Managing Shadow Sets with System Services

This chapter describes how to create, mount, dismount, and dissolve shadow sets using the \$MOUNT and \$DISMOU system services. It also describes how to use the \$GETDVI system service to access current information about the state of shadow sets. For complete information about these OpenVMS system services, refer to the HP OpenVMS System Services Reference Manual.

Using \$MOUNT to Create and Mount Shadow Sets

You can create and mount shadow sets using the \$MOUNT system service in a user-written program. Program calls to \$MOUNT that create, mount, or add devices to shadow sets use the same syntax. To direct the system to perform any mount operation, you construct a \$MOUNT item list. The item list specifies the virtual unit that represents the shadow set and the members (physical devices) that the shadow set contains.

The call to the \$MOUNT system service has the following format:

```
SYS$MOUNT itm1st
```

Example 5-1 illustrates MACRO-32 statements that produce a \$MOUNT system service item list to create and mount a shadow set.

Example 5-1 Item List to Create and Mount a Shadow Set

```
DSA23: .ASCID /DSA23:/
MEMBER001: .ASCID /$4$DUA9:/
MEMBER002: .ASCID /$4$DUA5:/

VOLUME_LABEL: .ASCID /MYVOLUME/
VOLUME_LOGNM: .ASCID /DISK$MYVOLUME/

        .MACRO .ITEM, SIZE, CODE, BUFFER, RETURN=0
        .WORD SIZE, CODE
        .ADDRESS BUFFER, RETURN
        .ENDM .ITEM

ITMLST: .ITEM 6, MNT$_SHANAM, DSA23
        .ITEM 8, MNT$_SHAMEM, MEMBER001
        .ITEM 8, MNT$_SHAMEM, MEMBER002

        .ITEM 8, MNT$_VOLNAM, VOLUME_LABEL
        .ITEM 13, MNT$_LOGNAM, VOLUME_LOGNM
        .LONG 0
```

The following list describes the elements in Example 5-1:

- Notice that the virtual unit item descriptor occurs first. This item descriptor specifies DSA23 as the name of the virtual unit. See “Creating a Shadow Set” on page 49 for the proper naming syntax for the virtual unit and shadow set members.

\$MOUNT Shadow Set Item Codes

- The virtual unit item descriptor is followed by two member-unit item descriptors. Because Volume Shadowing for OpenVMS automatically determines the type of operation (copy or merge) necessary before disks can join a shadow set, all of the devices are mounted with MNT\$_SHAMEM item descriptors. These item descriptors specify that the physical devices, \$4\$DUA9 and \$4\$DUA5, are to join the shadow set represented by DSA23.
- The member item descriptors are followed by an item descriptor that specifies MYVOLUME as the volume label for the shadow set.
- The last item descriptor specifies DISK\$MYVOLUME as the logical name for the shadow set.

Later, if you want to add another device to the shadow set, you make another call to \$MOUNT that specifies an item list that contains the name of the virtual unit and the name of the device you want to add to the shadow set. Example 5-2 shows how to add the physical device \$4\$DUA10: to the shadow set created in Example 5-1.

Example 5-2 Item List to Add a Member to a Shadow Set

```

DSA23:  .ASCID /DSA23:/

MEMBER003:  .ASCID /$4$DUA10:/
VOLUME_LABEL:  .ASCID /MYVOLUME/
VOLUME_LOGNM:  .ASCID /DISK$MYVOLUME/

        .MACRO  .ITEM, SIZE, CODE, BUFFER, RETURN=0
        .WORD   SIZE, CODE
        .ADDRESS BUFFER, RETURN
        .ENDM   .ITEM

ITMLST:  .ITEM  6,  MNT$_SHANAM, DSA23

        .ITEM  9,  MNT$_SHAMEM, MEMBER003
        .ITEM  8,  MNT$_VOLNAM, VOLUME_LABEL
        .ITEM  13, MNT$_LOGNAM, VOLUME_LOGNM
        .LONG   0
    
```

“\$MOUNT Shadow Set Item Codes” on page 90 briefly describes the \$MOUNT shadow set item codes and discusses how to construct a valid \$MOUNT item list. For a complete description of the \$MOUNT service and all its item codes, refer to the HP OpenVMS System Services Reference Manual.

\$MOUNT Shadow Set Item Codes

This section briefly describes the SYS\$MOUNT item codes that are useful for shadow set management. Refer to the HP OpenVMS System Services Reference Manual for complete information about SYS\$MOUNT, item codes, and other system services.

MNT\$_FLAGS Item Code

The MNT\$_FLAGS item code specifies a longword bit vector in which each bit specifies an option for the mount operation. The buffer must contain a longword, which is the bit vector.

The `$MNTDEF` macro defines symbolic names for each option (bit) in the bit vector. You construct the bit vector by specifying the symbolic names for the desired options in a logical OR operation. The following list describes the symbolic names for each shadow set option:

- `MNT$M_INCLUDE` automatically reconstructs a shadow set to the state it was in before the shadow set was dissolved (because of dismounting or system failure). Use this option when mounting a complete shadow set.
- `MNT$M_NOCOPY` disables automatic copy operations on all physical devices being mounted or added to a shadow set. This option prevents accidental loss of data that could occur if an unintended device is added to the shadow set.
- `MNT$M_MINICOPY_REQUIRED` means that `$MOUNT` fails if minicopy has not been enabled on the disk.
- `MNT$M_MINICOPY_OPTIONAL` means that `$MOUNT` continues even if minicopy has not been enabled on the disk.
- `MNT$M_OVR_SHAMEM` allows you to mount former shadow set members outside of the shadow set. If you do not specify this option, `$MOUNT` automatically mounts the volume write-locked to prevent accidental deletion of data. To specify this option, you must either own the volume or have the `VOLPRO` privilege.

When you use this option, the shadow set generation number is erased from the volume. If you then remount the volume in the former shadow set, `$MOUNT` considers it an unrelated volume and marks it for a copy operation.

- `MNT$M_REQUIRE_MEMBERS` controls whether every physical device specified with the `/SHADOW` qualifier must be accessible when the `MOUNT` command is issued in order for the `$MOUNT` system service to take effect.
- `MNT$M_VERIFY_LABELS` requires that any member to be added to the shadow set have a volume label of `SCRATCH_DISK`. This helps ensure that the wrong disk is not added to a shadow set. If you plan to use `VERIFY_LABELS`, you must assign the disk a label first. You can do this either by initializing the disk to be added to the set with the label `SCRATCH_DISK` or by specifying a label for the disk with the `SET VOLUME/LABEL` command. The default is `NOVERIFY_LABEL`, which means that the volume label of the copy targets will not be checked. This default behavior is the same that occurred prior to the introduction of this option.

MNT\$_SHANAM Item Code

Specifies the name of the virtual unit to be mounted. The buffer is a 1- to 64-character string containing the virtual unit name in the format `DSAn`. This string can also be a logical name; if it is a logical name, it must translate to a virtual unit name. An item list must include at least one `MNT$_SHANAM` item descriptor.

If you are mounting a volume set containing more than one shadow set, you must include one `MNT$_SHANAM` item descriptor for each virtual unit included in the volume set.

MNT\$_SHAMEM Item Code

Specifies the name of a physical device to be mounted into a shadow set. The shadowing software adds the device to the shadow set represented by the virtual unit specified in the `MNT$_SHANAM` item descriptor. The `MNT$_SHAMEM` descriptor is a 1- to 64-character string containing the device name. The string can be a physical device name or a logical name; if it is a logical name, it must translate to a physical device name.

Using \$MOUNT to Mount Volume Sets

An item list must contain at least one item descriptor specifying a member; this item descriptor must appear after the MNT\$_SHANAM item descriptor.

Points to Remember When Constructing a \$MOUNT Item List

Here are some important points to remember when you construct a \$MOUNT item list:

- Every item list that mounts a shadow set must contain at least one item descriptor that specifies the virtual unit and at least one item descriptor that specifies a member.
- The item descriptor that specifies the virtual unit must come before the item descriptors that specify the members contained in the shadow set. Then, you can specify any number of members that are to be represented by that virtual unit by using the MNT\$_SHAMEM item code.
- When mounting a volume set, your item list must contain an item descriptor for each virtual unit. The virtual unit item descriptor must be followed by item descriptors specifying the members to be represented by that virtual unit.
- When you mount a shadow set, the system determines whether a device requires a copy or merge operation before it can join the shadow set. Therefore, you can use the MNT\$_SHAMEM item code to specify any member, regardless of the operation the device requires.

Using \$MOUNT to Mount Volume Sets

When mounting volume sets, always list the volume with the largest storage capacity first. You should name the largest volume first because the volume set and directory information goes on the first volume listed in a MOUNT command line. A small-capacity disk may not have adequate storage for the volume and directory information.

Example 5-3 shows the MACRO-32 statements required to produce a \$MOUNT system service item to mount a volume set that contains two shadow sets.

Example 5-3 Item List to Create and Mount a Volume Set

```

DSA23: .ASCID /DSA23:/
DSA51: .ASCID /DSA51:/
MEMBER009: .ASCID /$4$DUA9:/
MEMBER005: .ASCID /$4$DUA5:/
MEMBER010: .ASCID /$4$DUA10:/
MEMBER012: .ASCID /$4$DUA12:/
MEMBER003: .ASCID /$4$DUA3:/
MEMBER034: .ASCID /$4$DUA34:/
VOLUME_WORK1: .ASCID /WORK1/
VOLUME_WORK2: .ASCID /WORK2/
VOLUME_LOGNM: .ASCID /WRKD$/

        .MACRO .ITEM, SIZE, CODE, BUFFER, RETURN=0
        .WORD  SIZE, CODE
        .ADDRESS BUFFER, RETURN
        .ENDM  .ITEM

ITMLST: .ITEM 6, MNT$_SHANAM, DSA23
        .ITEM 8, MNT$_SHAMEM, MEMBER009
        .ITEM 8, MNT$_SHAMEM, MEMBER005
        .ITEM 9, MNT$_SHAMEM, MEMBER010

```

```
.ITEM 5, MNT$_VOLNAM, VOLUME_WORK1
.ITEM 6, MNT$_SHANAM, DSA51
.ITEM 9, MNT$_SHAMEM, MEMBER012
.ITEM 8, MNT$_SHAMEM, MEMBER003
.ITEM 9, MNT$_SHAMEM, MEMBER034
.ITEM 5, MNT$_VOLNAM, VOLUME_WORK2
.ITEM 5, MNT$_LOGNAM, VOLUME_LOGNM
.LONG
```

The following list describes the elements in Example 5-3:

- Notice that the virtual unit item descriptor for the first volume in the volume set occurs first. This item descriptor specifies DSA23 as the name of the first virtual unit in the volume set.
- The virtual unit item descriptor is followed by item descriptors for each of the devices or members that are to be represented by the first virtual unit: \$4\$DUA9, \$4\$DUA5, and \$4\$DUA10.
- The member item descriptors are followed by an item descriptor that specifies the volume label for the first shadow set in the volume set as WORK1.
- Following the descriptors for the first shadow set in the volume set are similar item descriptors for the second shadow set in the volume set. These item descriptors specify the second virtual unit as DSA51; the devices as \$4\$DUA12, \$4\$DUA3, and \$4\$DUA34; and the volume label as WORK2.
- The last item descriptor specifies the logical name for the entire volume set as WRKD\$.

Using \$DISMOU to Dismount Shadow Sets

You can use the \$DISMOU system service to perform the following three shadow set operations:

- Remove a member from a shadow set
- Remove a member from a shadow set for a minicopy operation (as described in “Guidelines for Using a Shadow Set Member for Backup” on page 123)
- Dismount a shadow set across a cluster from a single node
- Dismount and dissolve a shadow set

The call to the \$DISMOU system service has the following format:

```
SYS$DISMOU devnam, flags
```

The action that \$DISMOU takes depends in part on whether you specify a shadow set virtual unit or a shadow set member in the **devnam** argument.

For a complete description of the \$DISMOU service and its arguments, refer to the HP OpenVMS System Services Reference Manual.

Removing Members from Shadow Sets

If you want to remove a single member from a shadow set, you must make a call to \$DISMOU. In the **devnam** argument, you should specify the name of the shadow set member you want to remove. The specified member is spun down unless you specify the DMT\$M_NOUNLOAD option in the **flags** argument.

The MACRO-32 code in Example 5-4 demonstrates a call to \$DISMOU that removes the member \$2\$DUA9 from a shadow set.

Using \$DISMOU to Dismount Shadow Sets

Example 5-4 Removing a Member from a Shadow Set

```

$DMTDEF
FLAGS: .LONG DMT$M_NOUNLOAD
MEMBER001: .ASCID /$2$DUA9:/
.
.
.

$DISMOU_S -
devnam = MEMBER001, -
flags = FLAGS
.
.
.
.END

```

Dismounting and Dissolving Shadow Sets

If you want to dismount a shadow set on a single node, you must make a call to \$DISMOU. In the **devnam** argument, you should specify the name of the virtual unit that represents the shadow set you want to dismount. If you want to dismount the shadow set clusterwide, specify the DMT\$M_CLUSTER option in the **flags** argument of the call.

When you dismount a shadow set on a single node in an OpenVMS Cluster system, and other nodes in the OpenVMS Cluster still have the shadow set mounted, none of the shadow set members contained in the shadow set are spun down, even if you have not specified the DMT\$M_NOUNLOAD flag. After this call completes, the shadow set is unavailable on the node from which the call was made. The shadow set is still available to other nodes in the cluster that have the shadow set mounted.

If the node on which the shadow set is being dismounted is the only node that has the shadow set mounted, the shadow set dissolves. The shadow set member devices are spun down unless you specify the DMT\$M_NOUNLOAD flag.

The MACRO-32 code in Example 5-5 demonstrates how to use the \$DISMOU system service to dismount the shadow set represented by the virtual unit DSA23.

Example 5-5 Dismounting and Dissolving a Shadow Set Locally

```

$DMTDEF
FLAGS: .LONG 0
DSA23: .ASCID /DSA23:/
.
.
.

$DISMOU_S -
devnam = DSA23, -
flags = FLAGS
.
.
.
.END

```

When a shadow set is dissolved:

- Each of the former shadow set members can be mounted as a single disk for other purposes.

Each volume, however, continues to be marked as having been part of a shadow set. After you dissolve a shadow set, each volume retains the volume shadowing generation number that identifies it as being a former shadow set member (unless you remount the volume outside of the shadow set). Volumes marked as having been part of a shadow set are automatically software write-locked to prevent accidental deletion of data. You cannot mount these volumes for writing outside of a shadow set unless you use the MNT\$M_OVR_SHAMEM option with the system service MNT\$_FLAGS item code.

- The virtual unit changes to an offline state.

The MACRO-32 code in Example 5-6 demonstrates a call to the \$DISMOU system service to perform a dismount across the cluster. When the shadow set is dismounted from the last node, the shadow set is dissolved.

Example 5-6 Dismounting and Dissolving a Shadow Set Across the Cluster

```
$DMTDEF
FLAGS: .LONG DMT$M_CLUSTER
DSA23: .ASCID /DSA23:/
.
.
.

$DISMOU_S -
devnam = DSA23, -
flags = FLAGS
.
.
.
.END
```

You must specify the DMT\$M_CLUSTER option with the **flags** argument if you want the shadow set dismounted from every node in the cluster. When each node in the cluster has dismounted the shadow set (the number of hosts having the shadow set mounted reaches zero), the volume shadowing software dissolves the shadow set.

Setting \$DISMOU Flags for Shadow Set Operations

Table 5-1 lists the options for the \$DISMOU **flags** argument and describes the shadow set operations that use these options. For a full description of each of these flag options, refer to the description of the \$DISMOU service in the HP OpenVMS System Services Reference Manual.

Table 5-1 \$DISMOU Flag Options

Option	Description
DMT\$M_MINICOPY_REQUIRED	\$DISMOU fails if minicopy has not been enabled on the disk.
DMT\$M_MINICOPY_OPTIONAL	\$DISMOU takes place, regardless of whether minicopy is enabled on the disk.
DMT\$M_FORCE	If connectivity to a device has been lost and the shadow set is in mount verification, this flag causes a named shadow set member to be immediately expelled from the shadow set.
DMT\$M_UNLOAD	Valid for all shadowing-related requests.
DMT\$M_CLUSTER	Valid for all shadowing-related requests.

Table 5-1 \$DISMOU Flag Options (Continued)

Option	Description
DMT\$M_ABORT	Honored for virtual units, ignored for members.
DMT\$M_UNIT	Ignored for virtual units and their members.

Evaluating Condition Values Returned by \$DISMOU and \$MOUNT

This section discusses the condition values returned by the \$DISMOU and \$MOUNT system services that pertain to mounting and using shadow sets. For a complete list of the condition values returned by these services, refer to the HP OpenVMS System Services Reference Manual.

If \$MOUNT returns the condition value SS\$_BADPARAM, your item list probably contains one of the following errors:

- The virtual unit specified in one of your MNT\$_SHANAM item descriptors contains a name other than DSA.n:.
- A MNT\$_SHAMEM item descriptor appears in the item list before any MNT\$_SHANAM item descriptor.
- Your item list contains a MNT\$_SHANAM item descriptor, but it is not followed by the item descriptor MNT\$_SHAMEM.
- A MNT\$_DEVNAM item descriptor appears in the item list in the middle of a series of item descriptors that specify a single shadow set. You can construct a volume set that contains one or more nonshadowed disks, as well as one or more shadow sets. However, when you use the MNT\$_DEVNAM item descriptor to specify the nonshadowed disk, it must not appear between the MNT\$_SHANAM item descriptor that specifies a virtual unit and the item descriptors that specify the members of the shadow set that the virtual unit represents.
- The following list contains possible status messages that \$MOUNT can return when mounting and using shadow sets:
 - SS\$_VOLINV (label mismatched)
 - SS\$_SHACHASTA (shadow state change occurred during a mount operation)
 - SS\$_MEDOFL (physical unit not accessible)
 - SS\$_INCSHAMEM (physical disk incompatible for shadow set)

See also Appendix A for shadowing-related status messages.

Using \$GETDVI to Obtain Information About Shadow Sets

The \$GETDVI system service is useful for obtaining information about the shadow set devices on your system. Through the use of the shadow set item codes, you can determine the following types of information:

- Whether a device is a shadow set virtual unit or a shadow set member

- Whether a device is the target of a copy or merge operation
- The name of the virtual unit that represents the shadow set of which the particular device is a member
- The entire membership of a shadow set, including the virtual unit and all of the members
- Whether or not a member has been removed from the shadow set

The call to \$GETDVI has the following format:

```
SYS$GETDVI [efn],[chan],[devnam],itmlst,[iosb],[astadr],[astprm],[nullarg]
```

For a complete description of the \$GETDVI and \$GETDVIW services and their arguments, refer to the HP OpenVMS System Services Reference Manual.

NOTE If you use the file-system-related item codes with the \$GETDVI system service to obtain meaningful system information (such as FREEBLOCK information) for a shadow set, you should specify the virtual unit name with the \$GETDVI service. If you specify the device name of one of the shadow set members, the \$GETDVI service returns a value of 0.

\$GETDVI Shadow Set Item Codes

Table 5-2 lists the information returned by the \$GETDVI shadow set item codes.

Table 5-2 SYSS\$GETDVI Item Codes

Item Code	Function
DVI\$_SHDW_CATCHUP_COPYING	Returns a Boolean longword. The value 1 indicates that the device is the target of a copy operation.
DVI\$_SHDW_COPIER_NODE	Returns the name of the node that is actively performing either the copy or the merge operation, as a string
DVI\$_SHDW_DEVICE_COUNT	Returns the total number of devices in the virtual unit, including devices being added as copy targets, as a longword
DVI\$_SHDW_GENERATION	Returns the current, internal revision number of the virtual unit, as a quadword.
DVI\$_SHDW_MASTER	Returns a Boolean longword. The value 1 indicates that the device is a virtual unit.
DVI\$_SHDW_MASTER_MBR	Returns the name of the master member unit that is used for merge and copy repair operations and for shadow set recovery operations, as a string.
DVI\$_SHDW_MASTER_NAME	When the specified device is a shadow set member, \$GETDVI returns the virtual unit name for the shadow set of which it is a member. Because shadow set device names can include up to 64 characters, the buffer length field of this item descriptor should specify 64 (bytes). If you specify a virtual unit or a device that is not a shadow set member, \$GETDVI returns a null string.

Table 5-2 SYS\$GETDVI Item Codes (Continued)

Item Code	Function
DVI\$_SHDW_MBR_COPY_DONE	Returns the percentage of the copy operation that is complete on the current member unit, as a longword.
DVI\$_SHDW_MBR_COUNT	Returns the number of full source members in the virtual unit, as a longword. Devices added as copy targets are not full source members.
DVI\$_SHDW_MBR_MERGE_DONE	Returns the percentage of the merge operation that has been completed on the member, as a longword.
DVI\$_SHDW_MBR_READ_COST	Returns the current value set for the member unit, as a longword. This value can be modified to use a customer-specified value.
DVI\$_SHDW_MEMBER	Returns a Boolean longword. The value 1 indicates that the device is a shadow set member.
DVI\$_SHDW_MERGE_COPYING	Returns a Boolean longword. The value 1 indicates that the device is a merge member of the shadow set.
DVI\$_SHDW_MINIMERGE_ENABLE	Returns a longword interpreted as a Boolean. A value of TRUE indicates that the virtual unit will undergo a minimerge, not a full merge, if a system in the cluster fails.
DVI\$_SHDW_NEXT_MBR_NAME	Returns the device name of the next member in the shadow set. If you specify a virtual unit, \$GETDVI returns the member device names in the shadow set. If you specify the name of a device that is neither a virtual unit nor a shadow set member, \$GETDVI returns a null string. Because shadow set device names can include up to 64 characters, the buffer length field of this item descriptor should specify 64 (bytes).
DVI\$_SHDW_READ_SOURCE	Returns the name of the member unit that is used for reads, at this point in time, as a longword. DVI\$_SHDW_READ_SOURCE uses the unit that has the lowest value of the sum of its queue length and read cost for reads. This is a dynamic value.
DVI\$_SHDW_SITE	Returns as a longword the site value for the specified value. This value is set by the SET DEVICE or SET SHADOW command.
DVI\$_SHDW_TIMEOUT	Returns the customer-specified timeout value set for the device, as a long word. If you do not set a value by way of the SETSHOWSHADOW utility, the SYSGEN parameter SHADOW_MBR_TWO is used for member units and MVTIMEOUT is used for virtual units.

Obtaining the Device Names of Shadow Set Members

To obtain the device names of all members of a shadow set, you must make a series of calls to \$GETDVI. In your first call to \$GETDVI, you can specify either the virtual unit that represents the shadow set or the device name of a member of the shadow set.

Virtual Unit Names

If your first call specifies the name of the virtual unit, the item list should contain a DVI\$_SHDW_NEXT_MBR_NAME item descriptor into which \$GETDVI returns the name of the lowest-numbered member of the shadow set. The **devnam** argument of the next call to \$GETDVI should specify the device name returned in the previous call's DVI\$_SHDW_NEXT_MBR_NAME item descriptor. This second call's item list should contain a DVI\$_SHDW_NEXT_MBR_NAME item descriptor to receive the name of the next-highest-numbered unit in the shadow set. You should repeat these calls to \$GETDVI until \$GETDVI returns a null string, which means that there are no more members in the shadow set.

Shadow Set Member Names

If your first call specifies the device name of a shadow set member, you must determine the name of the virtual unit that represents the shadow set before you can obtain the device names of all members contained in the shadow set. Therefore, if your first call specifies a member, it should also specify an item list that contains a DVI\$_SHDW_MASTER_NAME item descriptor. \$GETDVI returns to this descriptor the name of the virtual unit that represents the shadow set. You can now make the series of calls to \$GETDVI described in "Virtual Unit Names" on page 99. The **devnam** argument of each call specifies the name of the device returned in the previous call's DVI\$_SHDW_NEXT_MBR_NAME item descriptor. You repeat these calls until \$GETDVI returns a null string, indicating that there are no more members in the shadow set.

6 Ensuring Shadow Set Consistency

Volume shadowing performs four basic functions. The two most important, as with any disk I/O subsystem, are to satisfy read and write requests. The other two functions, copy and merge, are required for shadow set maintenance.

Copy and merge operations are the cornerstone of achieving data availability. Under certain circumstances, Volume Shadowing for OpenVMS must perform a copy or a merge operation to ensure that corresponding LBNs on all shadow set members contain the same information. Although volume shadowing automatically performs these operations, this chapter provides an overview of their operation.

Copy and merge operations occur at the same time that applications and user processes read and write to active shadow set members, thereby having a minimal effect on current application processing.

Shadow Set Consistency

During the life of a shadow set, the state of any shadow set member relative to the rest of the members of the shadow set can vary. The shadow set is considered to be in a steady state when all of its members are known to contain identical data. Changes in the composition of the shadow set are inevitable because:

- Disk drives occasionally need corrective maintenance.
- New disks are added to replace other disks.
- System failures occur, requiring merge operations to take place within the shadow set.
- Controllers fail, requiring maintenance.
- System management functions, such as backup, are required.

For example, suppose an operator dismounts a member of a shadow set and then remounts the member back into the shadow set. During the member's absence, the remaining members of the shadow set may have experienced write operations. Thus, the information on the member being remounted into the shadow set will differ from the information on the rest of the shadow set. Therefore, a copy (or minicopy) operation is required.

As another example, consider a situation where a shadow set is mounted by several systems in an OpenVMS Cluster configuration. If one of those systems fails, the data on the members of the shadow set may differ because of outstanding or incomplete write operations issued by the failed system. The shadowing software resolves this situation by performing a merge operation.

In any event, copy and merge operations allow volume shadowing to preserve the consistency of the data written to the shadow set. A shadow set is considered to be in a **transient state** when one or more of its members are undergoing a copy or a merge operation.

Additionally, volume shadowing maintains shadow set consistency by:

- Maintaining consistent data on shadow set members by automatically detecting and replacing bad blocks on one shadow set member and rewriting those bad blocks with good data from another shadow set member.

Shadow Set Consistency

- Notifying all nodes when a member is added or removed from a shadow set, and ensuring the shadow set membership is consistent clusterwide.

Volume shadowing uses two internal mechanisms to coordinate shadow set consistency:

- Storage control blocks (SCBs)

Volume shadowing uses a storage control block (SCB) as a primary method for controlling shadow set membership. Each physical disk contains an SCB in which the shadowing software records the names of all the current members of the shadow set. Each time the composition of the shadow set changes, the SCB on all members is updated. This feature simplifies clusterwide membership coordination and is also used by the MOUNT qualifier /INCLUDE to reconstruct a shadow set.

- Shadow set generation number

Volume shadowing uses a shadow set generation number as a primary method of determining shadow set member validity and status. A shadow set generation number is an incrementing value that is stored on every member of a shadow set. Each time a membership change occurs to the shadow set (members are mounted, dismounted, or fail), the generation number on the remaining members is incremented. Thus, if a shadow set's generation number is 100 and a member is dismounted from the set, the generation numbers on the remaining members are incremented to 101. The removed member's generation number remains at 100. When mounting shadow sets, the shadowing software uses the generation numbers, found in the SCB on the physical units, to determine the need for and direction of copy operations.

Table 6-1 lists some of the information contained in the SCB.

Table 6-1 Information in the Storage Control Block (SCB)

SCB Information	Function
Volume label	Identifies a unique name for the volume. Every member of a shadow set must use the same volume label.
BACKUP revision number	A BACKUP/IMAGE restoration rearranges the location of data on a volume and sets a revision number to record this change. The Mount utility (MOUNT) checks the revision number of the proposed shadow set member against the numbers on current or other proposed shadow set members. If the revision number differs, the shadowing software determines whether a copy or merge operation is required to bring the data on the less current members up to date.
Volume shadowing generation number	When a member joins a shadow set, it is marked with a volume shadowing generation number. You can zero the generation number by using the /OVERRIDE=SHADOW_MEMBERSHIP qualifier with the MOUNT command.
Mount and dismount status	The SCB mount status field is used as a flag that is set when a volume is mounted and cleared when it is dismounted. There is also a count of the number of nodes that have mounted the shadow set write-enabled. The MOUNT command checks this field when a disk is mounted. If the flag is set, this indicates that the disk volume was incorrectly dismounted. This will occur in the event of system failure. When mounting shadow sets that were incorrectly dismounted, or where the write count field is not correct, the shadowing software automatically initiates merge operations.

Upon receiving a command to mount a shadow set, the volume shadowing software immediately determines whether a copy or a merge operation is required; if either is required, the software automatically performs the operation to reconcile data differences. If you are not sure which disks might be targets of copy operations, you can specify the /CONFIRM or /NOCOPY qualifiers when you use the MOUNT command. To disable performing any copy operations, use the /NOCOPY qualifier. If you mount a shadow set interactively, use the /CONFIRM qualifier to instruct MOUNT to display the targets of copy operations and request permission before the operations are performed.

When you dismount an individual shadow set member, you produce a situation similar to a hardware disk failure. Because files remain open on the virtual unit, the removed physical unit is marked as not being properly dismounted.

After one of the devices is removed from a shadow set, the remaining shadow set members have their generation number incremented, identifying them as being more current than the former shadow set member. This generation number aids in determining the correct copy operation if you remount the member into a shadow set.

Copy Operations

The purpose of a copy operation is to duplicate data on a source disk to a target disk. At the end of a copy operation, both disks contain identical information, and the target disk becomes a complete member of the shadow set. Read and write access to the shadow set continues while a disk or disks are undergoing a copy operation.

The DCL command MOUNT initiates a copy operation when a disk is added to an existing shadow set. A copy operation is simple in nature: A source disk is read and the data is written to the target disk. This is usually done in multiple block increments referred to as LBN ranges. In an OpenVMS Cluster environment, all systems that have the shadow set mounted know about the target disk and include it as part of the shadow set. However, only one of the OpenVMS systems actually manages the copy operation.

Two complexities characterize the copy operation:

- Handling user I/O requests while the copy operation is in progress
- Dealing with writes to the area that is currently being copied without losing the new write data

Volume Shadowing for OpenVMS handles these situations differently depending on the operating system version number and the hardware configuration. For systems running software earlier than OpenVMS Version 5.5-2, the copy operation is performed by an OpenVMS node and is known as an **unassisted** copy operation (see “Unassisted Copy Operations” on page 104).

With Version 5.5-2 and later, the copy operation includes enhancements for shadow set members that are configured on controllers that implement new copy capabilities. These enhancements enable the controllers to perform the copy operation and are referred to as **assisted** copies (see “Assisted Copy Operations” on page 104).

OpenVMS Version 7.3 introduced the host-based minicopy operation. Minicopy and its enabling technology, write bitmaps, are fully implemented on OpenVMS Alpha systems. OpenVMS VAX systems can write to shadow sets that use this feature. For more information about the minicopy operation, see Chapter 7.

Volume Shadowing for OpenVMS supports both assisted and unassisted shadow sets in the same cluster. Whenever you create a shadow set, add members to an existing shadow set, or boot a system, the shadowing software reevaluate's each device in the changed configuration to determine whether the device is capable of supporting the copy assist.

Copy Operations

Unassisted Copy Operations

Unassisted copy operations are performed by an OpenVMS system. The actual transfer of data from the source member to the target is done through host node memory. Although unassisted copy operations are not CPU intensive, they are I/O intensive and consume a small amount of CPU bandwidth on the node that is managing the copy. An unassisted copy operation also consumes interconnect bandwidth.

On the system that manages the copy operation, user and copy I/Os compete evenly for the available I/O bandwidth. For other nodes in the cluster, user I/Os proceed normally and contend for resources in the controller with all the other nodes. Note that the copy operation may take longer as the user I/O load increases.

The volume shadowing software performs an unassisted copy operation when it is not possible to use the assisted copy feature (see “Assisted Copy Operations” on page 104). The most common cause of an unassisted copy operation is when the source and target disk or disks are not on line to the same controller subsystem. For unassisted copy operations, two disks can be active targets of an unassisted copy operation simultaneously, if the members are added to the shadow set on the same command line. Disks participating in an unassisted copy operation may be on line to any controller anywhere in a cluster.

During any copy operation, a logical barrier is created that moves across the disk, separating the copied and uncopied LBN areas. This barrier is known as a **copy fence**. The node that is managing the copy operation knows the precise location of the fence and periodically notifies the other nodes in the cluster of the fence location. Thus, if the node performing the copy operation shuts down, another node can continue the operation without restarting at the beginning.

Read I/O requests to either side of the copy fence are serviced only from a source shadow set member.

Write I/O requests before or at the fence are issued in parallel to all members of the shadow set.

Write I/O requests, after the fence, are completed first to source members, then to copy target members.

The time and amount of I/O required to complete an unassisted copy operation depends heavily on the similarities of the data on the source and target disks. It can take at least two and a half times longer to copy a member containing dissimilar data than it does to complete a copy operation on a member containing similar data.

Assisted Copy Operations

Unlike an unassisted copy, an assisted copy does not transfer data through the host node memory. The actual transfer of data is performed within the controller, by direct disk-to-disk data transfers, without having the data pass through host node memory. Thus, the assisted copy decreases the impact on the system, the I/O bandwidth consumption, and the time required for copy operations.

Shadow set members must be accessed from the same controller in order to take advantage of the assisted copy. The shadowing software controls the copy operation by using special MSCP copy commands, called disk copy data (DCD) commands, to instruct the controller to copy specific ranges of LBNs. For an assisted copy, only one disk can be an active target for a copy at a time.

For OpenVMS Cluster configurations, the node that is managing the copy operation issues an MSCP DCD command to the controller for each LBN range. The controller then performs the disk-to-disk copy, thus avoiding consumption of interconnect bandwidth.

By default, the Volume Shadowing for OpenVMS software (beginning with OpenVMS Version 5.5–2) and the controller automatically enable the copy assist if the source and target disks are accessed through the same HSC or HSJ controller.

Shadowing automatically disables the copy assist if:

- The source and target disks are not accessed using the same controller.

In the case of dual-ported disks, you can use the \$QIO SET PREFERRED PATH feature to force both disks to be accessed via the same controller. See the PREFER program in SYS\$EXAMPLES and refer to the HP OpenVMS I/O User's Reference Manual for more information about setting a preferred path.

- The shadow set is mounted on a controller that does not support the copy assist.
- The shadow set member is mounted on an HSC controller with the copy assist disabled. (HSC controllers are the only controllers on which you can disable copy assists.)
- The number of assisted copies specified by the DCD connection limit, only on HSC controllers, has been reached, at which point additional copies will be performed unassisted.

See "Controlling HSC Assisted Copy and Minimerge Operations" on page 108 for information about disabling and reenabling the assisted copy capability.

Merge Operations

The purpose of either a full merge or a minimerge operation is to compare data on shadow set members and to ensure that all of them contain identical data on every logical block (each block is identified by its logical block number [LBN]). A full merge or minimerge operation is initiated if either of the following events occurs:

- A system failure results in the possibility of incomplete writes.

For example, if a write request is made to a shadow set but the system fails before a completion status is returned from all the shadow set members, it is possible that:

- All members might contain the new data.
- All members might contain the old data.
- Some members might contain new data and others might contain old data.

The exact timing of the failure during the original write request defines which of these three scenarios results. When the system recovers, Volume Shadowing for OpenVMS ensures that corresponding LBNs on each shadow set member contain the same data (old or new). It is the responsibility of the application to determine if the data is consistent from its point of view. The volume might contain the data from the last write request or it might not, depending on when the failure occurred. The application should be designed to function properly in both cases.

- If a shadow set enters mount verification with outstanding write I/O in the driver's internal queue, and the problem is not corrected before mount verification times out, the systems on which the timeout occurred require other systems that have the shadow set mounted to put the shadow set into a merge transient state.

For example, if the shadow set were mounted on eight systems and mount verification timed out on two of them, those two systems would each check their internal queue for write I/O. If one were found, the shadow set would enter a merge transient state.

The merge operation is managed by one of the OpenVMS systems that has the shadow set mounted. The members of a shadow set are physically compared to each other to ensure that they contain the same data. This is done by performing a block-by-block comparison of the entire volume. As the merge proceeds, any blocks that are different are made the same — either both old or new — by means of a copy operation. Because the shadowing software does not know which member contains newer data, any full member can be the **source** member of the merge operation.

Merge Operations

A full merge operation can be a very lengthy procedure. During the operation, application I/O continues but at a slower rate.

A minimerge operation can be significantly faster. By using information about write operations that were logged in volatile controller storage, the minimerge is able to merge only those areas of the shadow set where write activity was known to have occurred. This avoids the need for the entire volume scan that is required by full merge operations, thus reducing consumption of system I/O resources.

The shadowing software always selects one member as a **logical master** for any merge operation, across the OpenVMS Cluster. Any difference in data is resolved by a propagation of the information from the merge master to all the other members.

The system responsible for doing the merge operation on a given shadow set, updates the **merge fence** for this shadow set after a range of LBNs is reconciled. This fence “proceeds” across the disk and separates the merged and unmerged portions of the shadow set.

Application read I/O requests to the merged side of the fence can be satisfied by any source member of the shadow set. Application read I/O requests to the unmerged side of the fence are also satisfied by any source member of the shadow set; however, any potential data differences---discovered by doing a data compare operation---are corrected on all members of the shadow set before returning the data to the user or application that requested it.

This method of dynamic correction of data inconsistencies during read requests allows a shadow set member to fail at any point during the merge operation without impacting data availability.

Volume Shadowing for OpenVMS supports both assisted and unassisted merge operations in the same cluster. Whenever you create a shadow set, add members to an existing shadow set, or boot a system, the shadowing software reevaluates each device in the changed configuration to determine whether it is capable of supporting the merge assist.

Unassisted Merge Operations

For systems running software earlier than OpenVMS Version 5.5-2, the merge operation is performed by the system and is known as an **unassisted** merge operation.

To ensure minimal impact on user I/O requests, volume shadowing implements a mechanism that causes the merge operation to give priority to user and application I/O requests.

The shadow server process performs merge operations as a background process, ensuring that when failures occur, they minimally impact user I/O. A side effect of this is that unassisted merge operations can often take an extended period of time to complete, depending on user I/O rates. Also, if another node fails before a merge completes, the current merge is abandoned and a new one is initiated from the beginning.

Note that data availability and integrity are fully preserved during merge operations regardless of their duration. All shadow set members contain equally valid data.

Assisted Merge Operations

Starting with OpenVMS Version 5.5-2, the merge operation includes enhancements for shadow set members that are configured on controllers that implement **assisted** merge capabilities. The assisted merge operation is also referred to as a **minimerge**. The minimerge feature significantly reduces the amount of time needed to perform merge operations. Usually, the minimerge completes in a few minutes. HSC and HSJ controllers support minimerge.

By using information about write operations that were logged in controller memory, the minimerge is able to merge only those areas of the shadow set where write activity was known to have been in progress. This avoids the need for the total read and compare scans required by unassisted merge operations, thus reducing consumption of system I/O resources.

Controller-based write logs contain information about exactly which LBNs in the shadow set had write I/O requests outstanding (from a failed node). The node that performs the assisted merge operation uses the write logs to merge those LBNs that may be inconsistent across the shadow set. No controller-based write logs are maintained for a one member shadow set. No controller-based write logs are maintained if only one OpenVMS system has the shadow set mounted.

NOTE The shadowing software does not automatically enable a minimerge on a system disk because of the requirement to consolidate crash dump files on a nonsystem disk.

Dump off system disk (DOSD) is supported on both OpenVMS VAX and OpenVMS Alpha, starting with OpenVMS VAX Version 6.2 and OpenVMS Alpha Version 7.1. If DOSD is enabled, the system disk can be minimerged.

The minimerge operation is enabled on nodes running OpenVMS Version 5.5-2 or later. Volume shadowing automatically enables the minimerge if the controllers involved in accessing the physical members of the shadow set support it. See the HP Volume Shadowing for OpenVMS Software Product Description (SPD 27.29.xx) for a list of supported controllers. Note that minimerge operations are possible even when shadow set members are connected to different controllers. This is because write log entries are maintained on a per controller basis for each shadow set member.

Volume Shadowing for OpenVMS automatically disables minimerges if:

- The shadow set is mounted on a cluster node that is running an OpenVMS release earlier than Version 5.5-2.
- A shadow set member is mounted on a controller running a version of firmware that does not support minimerge.
- A shadow set member is mounted on a controller that has performance assists disabled.
- If any node in the cluster, with a shadow set mounted, is running a version of Volume Shadowing that has minimerge disabled.
- The shadow set is mounted on a standalone system. (Minimerge operations are not enabled on standalone systems.)
- The shadow set is mounted on only one node in the OpenVMS Cluster.

The following transient conditions can also cause a minimerge operation to be disabled:

- If an unassisted merge operation is already in progress when a node fails.

In this situation, the shadowing software cannot interrupt the unassisted merge operation with a minimerge.

- When not enough write log entries are available in the controllers.

The number of write log entries available is determined by controller capacity. The shadowing software dynamically determines when there are enough entries to maintain write I/O information successfully. If the number of available write log entries is too low, shadowing temporarily disables logging for that shadow set, and it returns existing available entries on this and every node in the cluster. After some time has passed, shadowing will attempt to reenables write logging on this shadow set.

A controller retains a write log entry for each write I/O request until that entry is deleted by shadowing, or the controller is restarted.

Controlling HSC Assisted Copy and Minimerge Operations

A multiple-unit controller shares its write log entries among multiple disks. This pool of write log entries is managed by the shadowing software. If a controller runs out of write log entries, shadowing disables minimerges and will perform an unassisted merge operation, should a node leave the cluster without first dismounting the shadow set. Note that write log exhaustion does not typically occur with disks on which the write logs are not shared.

- When the controller write logs become inaccessible for one of the following reasons, a minimerge operation is not possible.
 - Controller failure causes write logs to be lost or deleted.
 - A device that is dual ported to multiple controllers fails over to its secondary controller. (If the secondary controller is capable of maintaining write logs, the minimerge operations are reestablished quickly.)

Controlling HSC Assisted Copy and Minimerge Operations

This section describes how to control assisted copy and minimerge operations on an HSC controller. It is not possible to control these operations on an HSJ controller.

To disable both the merge and copy performance assists on the HSC controller, follow these steps on each HSC controller for which you want to disable the assists:

1. Press Ctrl/C to get to the HSC prompt.
2. When the HSC> prompt appears on the terminal screen, enter the following commands:

```
HSC> RUN SETSHO
SETSHO> SET SERVER DISK/NOHOST_BASED_SHADOWING
SETSHO-I Your settings require an IMMEDIATE reboot on exit.
SETSHO> EXIT
SETSHO-Q Rebooting HSC. Press RETURN to continue, CTRL/Y to abort:
```

After you issue these commands, the HSC controller automatically reboots:

```
INIPIO-I Booting...
```

To reenble the assists, follow the same procedure on your HSC controller, but use the /HOST_BASED_SHADOWING qualifier on the SET SERVER DISK command.

Use the HSC command SHOW ALL to see whether the assists are enabled or disabled. The following example shows a portion of the SHOW ALL display that indicates the shadowing assists status:

```
HSC> SHOW ALL
.
.
.
5-Jun-1997 16:42:51.40 Boot: 21-Feb-1997 13:07:19.47 Up: 2490:26
Version: V860 System ID: %X000011708247 Name: HSJNOT
Front Panel: Secure HSC Type: HSC90
.
.
.
Disk Server Options:
  Disk Caching: Disabled
  Host Based Shadowing Assists: Enabled
  Variant Protocol: Enabled
```

```
Disk Drive Controller Timeout: 2 seconds  
Maximum Sectors per Track: 74 sectors  
Disk Copy Data connection limit: 4      Active:0
```

.
. .
.

What Happens to a Shadow Set When a System Fails?

When a system, controller, or disk failure occurs, the shadowing software maintains data availability by performing the appropriate copy, merge, or minimerge operation. The following subsections describe the courses of action taken when failures occur. The course of action taken depends on the event and whether the shadow set is in a steady state or a transient state.

Transitions from Steady State

When a shadow set is in a steady state, the following transitions can occur:

- If you mount a new disk into a steady state shadow set, the shadowing software performs a copy operation to make the new disk a full shadow set source member.
- If a failure occurs on a standalone system (the system crashes), on a steady state shadow set, the shadow set SCB reflects that the shadow set has been incorrectly dismantled. When the system is rebooted and the set is remounted, a copy operation is not necessary, but a merge operation is necessary and initiated.
- If a failure occurs in a cluster, the shadow set is merged by a remaining node that has the shadow set mounted:
 - If performance assists are enabled, and the controller-based write logs are available, the shadowing software performs a minimerge.
 - If performance assists are not enabled, the shadowing software performs a merge operation.

Once the transition completes, the disks contain identical information and the shadow set returns to a steady state.

Transitions During Copy and Minicopy Operations

The following list describes the transitions that can occur to a shadow set that is undergoing a copy or minicopy operation. The transitions apply to both forms of copy operations except where noted:

- If you mount an additional disk into the shadow set that is already undergoing a copy operation, the shadowing software finishes the original copy operation before it begins another copy operation on the newly mounted disk.
- When a shadow set on a standalone system is undergoing a copy operation and the system fails, the copy operation aborts and the shadow set is left with the original members. For a standalone system, there is no recourse except to reboot the system and reinitiate the shadow set copy operation with a MOUNT command.
- When a shadow set is mounted on more than one node in the cluster and is undergoing a copy operation, if the node performing the copy operation dismantles the virtual unit, another node in the cluster that has that shadow set mounted will continue the copy operation automatically.

Examples of Copy and Merge Operations

If a shadow set is undergoing a minicopy operation when this occurs, the minicopy will not continue. Instead, a full copy will continue from the point where the minicopy stopped, and all the remaining blocks will be copied.

- If a shadow set is mounted on more than one node in the cluster and is undergoing a copy operation, should the node performing the copy operation fail, another node in the cluster that has that shadow set mounted will continue the copy operation automatically.

When a node failure occurs during a shadow set copy operation, merge behavior depends on whether or not the shadowing performance assists are enabled.

- If minimerge is enabled and can be performed, the shadowing software interrupts the copy operation to perform a minimerge and then resumes the copy operation.
- If the minimerge is not enabled, the shadowing software marks the set as needing a merge operation and finishes the copy operation before beginning the merge operation.

Transitions During Minimerge Operations

When a shadow set is undergoing a minimerge operation, the following transitions can occur:

- If a new member is mounted into a shadow set when a minimerge operation is in progress, the minimerge is completed before the copy operation is started.
- If another system failure occurs before a pending minimerge has completed, the action taken depends on whether or not the shadowing performance assists are enabled and if the controller-based write logs are available.
 - If performance assists are enabled and if the controller-based write logs are available for the last node failure, the shadowing software restarts the minimerge from the beginning and adds new LBNs to the write log file based on the entries taken from the nodes that failed.
 - If performance assists are disabled, the shadowing software reverts to a merge operation. The performance assists might be disabled if the controller runs out of write logs or if a failover occurs from a controller with write logs to one that does not.

Transitions During Merge Operations

The following list describes the transitions that can occur to the shadow set that is undergoing a merge operation when performance assists are not available:

- If you add a new disk to a shadow set that is undergoing a merge operation, the shadowing software interrupts the merge operation to perform a copy operation. The merge operation resumes when the copy operation is completed.
- If a node failure occurs when the shadow set is performing a merge operation, the shadowing software abandons the current merge operation and starts a new merge operation.

Examples of Copy and Merge Operations

Example 6-1 shows what happens when you create a shadow set by mounting two disk volumes that have never been a part of a shadow set. Because neither disk volume has been a part of a shadow set, the Mount utility (MOUNT) assumes that the first disk named in the MOUNT command is the source member. When the Mount utility checks the volume labels on the disks, it discovers that they are different from each other, and the utility automatically performs a copy operation.

In this example, DSA0 is the virtual unit name, \$1\$DUA8 and \$1\$DUA89 are the names of the disk volumes, and SHADOWDISK is the volume label.

Example 6-1 Copy Operation: Creating a New Shadow Set

```
$ MOUNT DSA0: /SHADOW=($1$DUA8:,$1$DUA89:) SHADOWDISK
%MOUNT-I-MOUNTED, SHADOWDISK mounted on _DSA0:
%MOUNT-I-SHDWMEMSUCC, _$1$DUA8: (FUSS) is now a valid member
of the shadow set
%MOUNT-I-SHDWMEMCOPY, _$1$DUA89: (FUSS) added to the shadow
set with a copy operation
```

\$ SHOW DEVICE DSA0:

Device Name	Device Status	Error Count	Volume Label	Free Blocks	Trans Count	Mnt Cnt
DSA0:	Mounted	0	SHADOWDISK	890937	1	1
\$1\$DUA8:	(FUSS) ShadowSetMember	0	(member of DSA0:)			
\$1\$DUA89:	(FUSS) ShadowCopying	0	(copy trgt DSA0: 1% copied)			

The SHOW DEVICE display in Example 6-1 shows the shadow set during the copy operation (transient state). Because the SCB information on \$1\$DUA8 and \$1\$DUA89 indicates that these devices have never been part of a shadow set, the shadowing software uses the first device named in the command line (\$1\$DUA8) as the source of the copy operation. The device status “ShadowSetMember” indicates that the \$1\$DUA8 device is a source shadow set member, and “ShadowCopying” indicates that the physical device \$1\$DUA89 is the target of a copy operation.

Suppose you want to add a new member to an existing shadow set, and the device you add is a previous member of this same shadow set. In this case, the volume label of the new member matches that of the current shadow set members, but the new member's MOUNT generation number is out of date compared with those of the current members. Thus, the Mount utility automatically performs a copy operation on that member.

Example 6-2 shows the format of the MOUNT command and MOUNT status messages returned when you add the \$3\$DIA12 device to the shadow set represented by the DSA9999 virtual unit. Notice that you do not need to list the member units currently in the shadow set on the MOUNT command line.

Example 6-2 Copy Operation: Adding a Member to an Existing Shadow Set

```
$ MOUNT /SYSTEM DSA9999: /SHADOW=$3$DIA12: AXP_SYS_071
%MOUNT-I-MOUNTED, AXP_SYS_071 mounted on _DSA9999:
%MOUNT-I-SHDWMEMCOPY, _$3$DIA12: (SHAD03) added to the shadow
set with a copy operation
```

\$ SHOW DEVICE DSA9999:

Device Name	Device Status	Error Count	Volume Label	Free Blocks	Trans Count	Mnt Cnt
DSA9999:	Mounted	0	AXP_SYS_071	70610	1	1
\$3\$DIA7:	(BGFUSS) ShadowSetMember	0	(member of DSA9999:)			
\$3\$DIA5:	(SHAD03) ShadowSetMember	0	(member of DSA9999:)			
\$3\$DIA12:	(SHAD03) ShadowCopying	0	(copy trgt DSA9999: 0% copied)			

Example 6-3 shows what happens when a three-member shadow set is dissolved on one node and then is immediately remounted on another node. When the Mount utility checks the volume information on each member, it finds that the volume information is consistent across the shadow set. Thus, a copy operation is not necessary when the shadow set is mounted.

Examples of Copy and Merge Operations

In Example 6-3, DSA10 is the virtual unit and \$3\$DUA10, \$3\$DUA11, and \$3\$DUA12 are the member volumes. The first part of the example displays the output from a SHOW DEVICE command, which shows that the shadow set is mounted and in a steady state. Then the user dismounts the DSA10 shadow set and immediately remounts it.

Example 6-3 No Copy Operation: Rebuilding a Shadow Set

```
$ SHOW DEVICE D

Device          Device          Error   Volume          Free  Trans  Mnt
  Name          Status          Count   Label           Blocks Count  Cnt
DSA10:          Mounted          0      VAX_SYS_071     292971  1    1
$3$DUA10:      (MYNODE)       ShadowSetMember  0  (member of DSA10:)
$3$DUA11:      (MYNODE)       ShadowSetMember  0  (member of DSA10:)
$3$DUA12:      (MYNODE)       ShadowSetMember  0  (member of DSA10:)

$ DISMOUNT /NOUNLOAD DSA10:
%%%%%%%%%%%% OPCOM 24-MAR-1997 20:26:41.40 %%%%%%%%%%%%%
$3$DUA10: (MYNODE) has been removed from shadow set.
%%%%%%%%%%%% OPCOM 24-MAR-1997 20:26:41.69 %%%%%%%%%%%%%
$3$DUA11: (MYNODE) has been removed from shadow set.
%%%%%%%%%%%% OPCOM 24-MAR-1997 20:26:41.69 %%%%%%%%%%%%%
$3$DUA12: (MYNODE) has been removed from shadow set.
%%%%%%%%%%%% OPCOM 24-MAR-1997 20:26:41.69 %%%%%%%%%%%%%

$ MOUNT /SYSTEM DSA10: /SHADOW=($3$DUA10:, $3$DUA11:, $3$DUA12:) VAX_SYS_071
%MOUNT-I-MOUNTED, VAX_SYS_071 mounted on _DSA10:
%MOUNT-I-SHDWMEMSUC, _$3$DUA10: (MYNODE) is now a valid member of
the shadow set
%MOUNT-I-SHDWMEMSUC, _$3$DUA11: (MYNODE) is now a valid member of
the shadow set
%MOUNT-I-SHDWMEMSUC, _$3$DUA12: (MYNODE) is now a valid member of
the shadow set

$
```

Example 6-4 shows the output from the SHOW DEVICE command at the time of the merge operation.

When a system fails, the volume information is left in a state that shows that each shadow set member was not properly dismounted. If you issue the MOUNT command again after the node reboots, the shadowing software automatically performs a merge operation on the shadow set.

Example 6-4 Merge Operation: Rebuilding a Shadow Set

```
$ SHOW DEVICE DSA42:

Device          Device          Error   Volume          Free  Trans  Mnt
  Name          Status          Count   Label           Blocks Count  Cnt
DSA42:          Mounted          0      ATHRUZ          565997  1    1

$4$DUA2:      (MYNODE)       ShadowMergeMbr  0  (merging DSA42: 0% merged)
$4$DUA42:      (YRNODE)       ShadowMergeMbr  0  (merging DSA42: 0% merged)
```

7 Using Minicopy for Backing Up Data (Alpha)

This chapter describes the minicopy feature of Volume Shadowing for OpenVMS introduced in OpenVMS Version 7.3. Minicopy and its enabling technology, write bitmaps, are fully implemented on OpenVMS Alpha systems. OpenVMS VAX nodes can write to shadow sets that use this feature but they can neither create master write bitmaps nor manage them with DCL commands. In a mixed-architecture OpenVMS Cluster system, only one Alpha system is required in order to use minicopy.

The primary purpose of minicopy is to shorten the time it takes to return a shadow set member to the shadow set. The shadow set member is typically removed for the purpose of backing up the data and is then returned to membership in the shadow set.

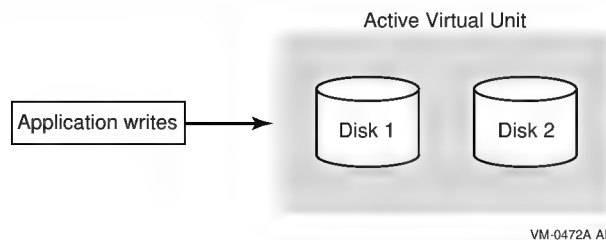
What Is Minicopy?

A minicopy operation is a streamlined copy operation. Minicopy ensures that the data on a shadow set member, when returned to the shadow set, is identical to the data in the shadow set.

A write bitmap tracks writes to a shadow set and is used to direct a minicopy operation when a shadow set member is returned to the shadow set.

Prior to the removal of a shadow set member, application writes are sent directly to the shadow set (also known as the virtual unit), as shown in Figure 7-1.

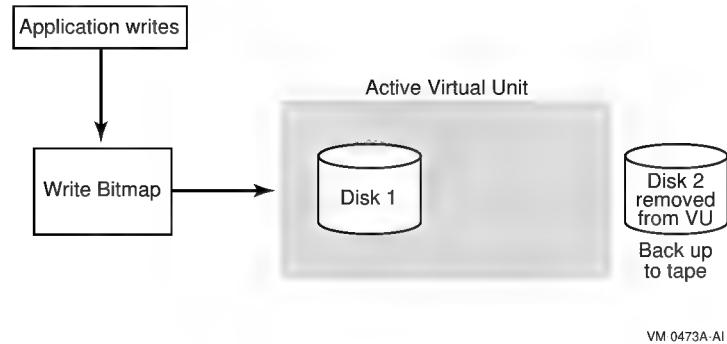
Figure 7-1 **Application Writes to a Shadow Set**



If you specify the minicopy qualifier (`/POLICY=MINICOPY[=OPTIONAL]`) when you dismount a shadow set member, a write bitmap is created. Subsequent writes to the shadow set are recorded by the write bitmap. Note that the write bitmap records only the logical block numbers (LBNs) of the associated writes, not the contents. The address is noted by setting one or more bits in a write bitmap; each bit corresponds to a range of 127 disk blocks.

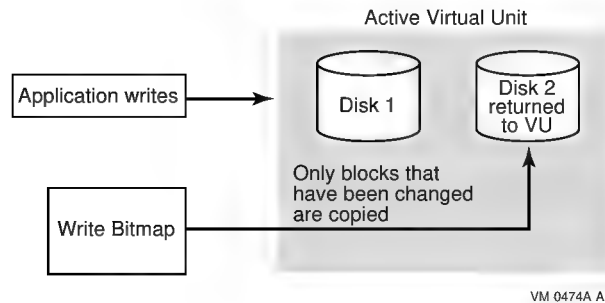
When data is written to any block in the range of 127 blocks, the bit in the write bitmap that corresponds to that range is set. After the bit or bits are set, the data is written to the shadow set, as shown in Figure 7-2.

Figure 7-2 Application Writes to a Write Bitmap



When the member is returned to the shadow set, the write bitmap is used to direct the minicopy operation, as shown in Figure 7-3. While the minicopy operation is taking place, the application continues to read and write to the shadow set.

Figure 7-3 Member Returned to the Shadow Set (Virtual Unit)



With the minicopy function, a full copy is no longer required when a member is returned to its shadow set, provided that the system managers follow the guidelines provided in “Guidelines for Using a Shadow Set Member for Backup” on page 123. Note that, in this chapter, copy and full copy mean the same thing.

Several DCL commands can be used to manage write bitmaps. System parameters are provided for managing the write bitmap updates in an OpenVMS Cluster system and for setting an upper limit on shadow sets per node.

Different Uses for Copy and Minicopy

Prior to the introduction of minicopy, the copy operation was used for two purposes: to add members to a virtual unit, and to restore a member to the shadow set from which it was removed. In order for a member to rejoin the shadow set, its data must be made to match the data on the shadow set.

The copy operation is the principal method for creating a multiple member shadow set. (You can also use the DCL command INITIALIZE/SHADOW to create an empty multi-member shadow set.) The minicopy operation is now the preferred method for returning a member to a shadow set.

Typically, the reason for removing a shadow set member is to back up the data onto tape or disk.

To use a shadow set member to perform a backup operation, a system manager must perform the following steps:

- Using the SHOW DEVICE command, verify that the virtual unit is not marked for a merge operation.
- Stop the application I/O

The method for doing this is specific to the application and the computing environment.

- Remove a shadow set member
- Reactivate the application
- Back up the data of the shadow set member to disk or tape

While the backup is progressing, the application is writing data to the remaining members of the shadow set.

- Return the shadow set member to the shadow set when the backup is complete.

NOTE For detailed information about the conditions under which this form of backup is supported, see “Guidelines for Using a Shadow Set Member for Backup” on page 123.

Why Use Minicopy?

The minicopy operation can be used at the discretion of the system manager and at a time chosen by the system manager.

Because minicopy can significantly reduce the time it takes to return a member to a shadow set, it gives system managers greater flexibility in scheduling the removal and return of a shadow set member, and it improves availability.

The time needed to perform a minicopy is proportional to the amount of change that occurred to a shadow set in the disk's absence. A shorter copy time gives sites more flexibility in managing backups.

Table 7-1 shows the results from one series of tests, comparing full copy and minicopy times for shadow sets over a spectrum of write activity. The results presented in Table 7-1 and Table 7-2 should be used only as an indication of the performance gain you may experience using minicopy.

Table 7-1 Comparison of Minicopy and Full Copy Performance

Percentage of Bits Set	Time for Full Copy (seconds)	Time for Minicopy (seconds)	Minicopy Time as Percentage of Full Copy Time
100%	4196.09	3540.21	84.4%
90%	3881.95	3175.92	81.8%
80%	3480.50	2830.47	81.3%
75%	3290.67	2614.87	79.5%

Table 7-1 Comparison of Minicopy and Full Copy Performance (Continued)

Percentage of Bits Set	Time for Full Copy (seconds)	Time for Minicopy (seconds)	Minicopy Time as Percentage of Full Copy Time
70%	3194.05	2414.03	75.6%
60%	2809.06	2196.60	78.2%
50%	2448.39	1759.67	71.9%
40%	2076.52	1443.44	69.5%
30%	1691.51	1039.90	61.5%
25%	1545.94	775.35	50.2%
20%	1401.21	682.67	48.7%
15%	1198.80	554.06	46.2%
10%	1044.33	345.78	33.1%
5%	905.88	196.32	21.7%
2%	712.77	82.79	11.6%
1%	695.83	44.90	6.5%

Table 7-2 shows the results from another series of tests, comparing performance times of a hardware assisted copy (using MSCP disk copy data (DCD) commands on an HSJ controller) with a minicopy over a spectrum of write activity.

Table 7-2 Comparison of Minicopy and Hardware-Assist (DCD) Copy Performance

Percentage of Bits Set	DCD Copy Time (seconds)	Time for Minicopy (seconds)	Minicopy Time as Percentage of DCD Copy Time
100%	1192.18	1181.61	99.1%
90%	1192.18	1097.03	92.0%
80%	1192.18	979.06	82.1%
70%	1192.18	862.66	72.4%
60%	1192.18	724.61	60.8%
50%	1192.18	627.24	52.6%
40%	1192.18	490.70	41.2%
30%	1192.18	384.45	32.3%

Table 7-2 Comparison of Minicopy and Hardware-Assist (DCD) Copy Performance (Continued)

Percentage of Bits Set	DCD Copy Time (seconds)	Time for Minicopy (seconds)	Minicopy Time as Percentage of DCD Copy Time
20%	1192.18	251.53	21.1%
10%	1192.18	128.11	10.7%
5%	1192.18	71.00	6.0%
0%	1192.18	8.32	0.7%

Procedure for Using Minicopy

To use the minicopy operation:

1. Start a write bitmap.

A write bitmap is started by specifying the new qualifier `/POLICY=MINICOPY[=OPTIONAL]` to the `DISMOUNT` command when removing a member from a shadow set. You can also start a write bitmap with the `MOUNT` command when mounting a shadow set less one or two members, as described in “Creating a Write Bitmap With `MOUNT`” on page 119.

2. Use the write bitmap for a minicopy operation when you return the shadow set member to the shadow set.

If a write bitmap exists for the shadow set, a minicopy operation is invoked by default by the following `MOUNT` command:

```
$ MOUNT DSA42/SHAD=$4$DUA42 volume-label
```

To guarantee that only a minicopy takes place, use the `/POLICY=MINICOPY` qualifier, as shown in the following example:

```
$ MOUNT DSA42/SHAD=$4$DUA42 volume-label/POLICY=MINICOPY
```

If a write bitmap does not exist for a minicopy, the mount fails.

When a minicopy operation is completed, the write bitmap associated with the disk is deleted.

For a detailed description of how to use `/POLICY=MINICOPY[=OPTIONAL]` with the `MOUNT` and `DISMOUNT` commands, see “Creating Write Bitmaps” on page 119 and “Starting a Minicopy Operation” on page 119.

Minicopy Restrictions

The following restrictions apply to the use of minicopy:

Minicopy Restrictions

- Minicopy can be used in an OpenVMS Cluster only when all nodes in the cluster are running either OpenVMS Alpha Version 7.2--2 or OpenVMS Version 7.3 (or later), or a combination of these versions. OpenVMS VAX Version 7.3 can support and contribute to the bitmap that is mastered by an OpenVMS Alpha node. If you attempt to use earlier versions of OpenVMS in the cluster, the minicopy feature is disabled.

- The write bitmap can be used only once.

For example, if you dismount a three-member shadow set consisting of D1, D2, and D3, and you then mount only D1 with the `/POLICY=MINICOPY[=OPTIONAL]` qualifier, a write bitmap is created. When you mount either D2 or D3 back into the shadow set, a minicopy is performed. When you mount the remaining member into the shadow set, a full copy is performed.

To avoid the requirement of a full copy on the second member, dismount shadow set members one at a time, using `/POLICY=MINICOPY` for each. In that way, you will have a write bitmap for each shadow set member. When you return each disk to the shadow set, you will be able to do a minicopy for each.

- You cannot prioritize which member is updated by a minicopy operation if you specify two members in the same MOUNT command.

To ensure that the minicopy occurs immediately, specify only one shadow set member in each MOUNT command. Wait for the minicopy to start, then add the next member with another MOUNT command.

- If a shadow set is already marked by the volume shadowing software for a merge operation, the merge operation occurs, and a write bitmap is not created.
- Unused write bitmaps for a virtual unit remain in memory when the virtual unit is dismounted. When the virtual unit is mounted again, they are automatically deleted.

You can delete excess write bitmaps with the `DELETE` command, as described in “Deleting Write Bitmaps” on page 123.

- Misleading error message

When you attempt to start a write bitmap and dismount a shadow set member (with `DISMOUNT/POLICY=MINICOPY[=OPTIONAL]`), the following error message is displayed if the shadow set member is in a merge operation or is a copy target:

```
%DISM-F-SRCMEM, only source member of shadow set cannot be dismounted
```

A more meaningful error message is planned for a future version of minicopy.

- If a node with one or more master bitmaps shuts down or crashes, the bitmaps on the node are deleted. Therefore, the shadow sets whose master bitmaps were deleted will not be able to use a minicopy operation. Instead, a full copy will be performed.
- If a shadow set member leaves the set because of an error or timeout, a write bitmap will not be available. A write bitmap is only available for a minicopy when a shadow set member is explicitly dismounted.
- If you intend to use the minicopy feature in a mixed-architecture OpenVMS Cluster system, HP advises you to set the `SHADOW_MAX_COPY` system parameter to zero on all VAX systems. This setting prevents a copy from being performed on a VAX when the intent was to perform a minicopy on an Alpha. In a mixed-architecture cluster, it is possible, although highly unlikely, that a VAX system could be assigned the task of adding a member to a shadow set. Because a VAX system cannot perform a minicopy, it would perform a full copy instead. For information about `SHADOW_MAX_COPY`, see “Volume Shadowing Parameters” on page 37.
- For systems running OpenVMS Alpha Version 7.2--2 or 7.3, additional steps are required to access the dump file from a system disk shadow set in which a minicopy operation was used to return a member to the shadow set. For more information, see “Obtaining Dump Files of Shadowed System Disk When Minicopy Is Used” on page 21.

Creating Write Bitmaps

The DCL commands DISMOUNT and MOUNT are used for creating write bitmaps. The MOUNT command is used for starting a minicopy operation using a write bitmap (see “Starting a Minicopy Operation” on page 119).

Creating a Write Bitmap With DISMOUNT

To create a write bitmap, you must specify the /POLICY=MINICOPY[=OPTIONAL] qualifier with the DISMOUNT command. If you specify /POLICY=MINICOPY=OPTIONAL, a write bitmap is created if there is sufficient memory. The disk is dismounted, regardless of whether a write bitmap is created.

The following example shows the use of the POLICY=MINICOPY=OPTIONAL qualifier with the DISMOUNT command:

```
$ DISMOUNT $4$DUA1 /POLICY=MINICOPY=OPTIONAL
```

This command removes \$4\$DUA1 from the shadow set and starts logging writes to a write bitmap, if possible.

If you specify /POLICY=MINICOPY only (that is, if you omit =OPTIONAL) and there is not enough memory on the node to create a write bitmap, the dismount fails.

Creating a Write Bitmap With MOUNT

You can create a write bitmap with the MOUNT command under the following conditions:

- The shadow set that was previously mounted was correctly dismounted.
A multiple member shadow set must have been mounted before on the same node, on another node in the same cluster, or on another node outside the cluster.
- The shadow set is not currently mounted on any other node in the cluster (if the node on which you are mounting the shadow set is in a cluster).
- When you mount the shadow set, you mount it minus one member.
- You specify the /POLICY=MINICOPY[=OPTIONAL] qualifier to the MOUNT command.

The write bitmap created with this command is used for a minicopy operation when you later mount one of the former members of the shadow set into the set.

If you specify the /POLICY=MINICOPY=OPTIONAL qualifier and the shadow set is already mounted on another node in the cluster, the MOUNT command succeeds but a write bitmap is not created.

Starting a Minicopy Operation

If a write bitmap exists for a shadow set member, a minicopy operation starts by default when you specify the MOUNT command to return a shadow set member to the shadow set. This is equivalent to using the /POLICY=MINICOPY=OPTIONAL qualifier to the MOUNT command. If a write bitmap is not available, a full copy occurs.

An example of using the /POLICY=MINICOPY=OPTIONAL qualifier with the MOUNT command follows:

Master and Local Write Bitmaps

```
$ MOUNT DSA5/SHAD=$4$DUA0/POLICY=MINICOPY=OPTIONAL volume-label
```

If the shadow set (DSA5) is already mounted and a write bitmap exists for this shadow set member (\$4\$DUA0), the command adds the device \$4\$DUA0 to the shadow set with a minicopy operation. If a write bitmap is not available, this command adds \$4\$DUA0 with a full copy.

To ensure that a MOUNT command succeeds only if a minicopy can take place, specify /POLICY=MINICOPY only (that is, omit =OPTIONAL). If a write bitmap is not available, the mount will fail.

Master and Local Write Bitmaps

In an OpenVMS Cluster system, a **master write bitmap** is created on the node that issues the DISMOUNT or MOUNT command that creates the write bitmap. When a master write bitmap is created, a **local write bitmap** is automatically created on all other nodes in the cluster on which the shadow set is mounted, provided the nodes have sufficient memory.

A master write bitmap contains a record of all the writes to the shadow set from every node in the cluster that has the shadow set mounted. A local write bitmap tracks all the writes that the local node issues to a shadow set.

Note that if a node with a local bitmap writes to the same logical block number (LBN) of a shadow set more than once, only the LBN of the first write is sent to the master write bitmap. The minicopy operation uses the LBN for the update, not the number of changes to the same LBN.

When there is not enough memory on a node to create a local write bitmap, the node sends a message for each write directly to the master write bitmap. This will degrade application write performance.

System Parameters for Managing Write Bitmap Messages and Shadow Set Limit

System parameters are available for managing the update traffic between a master write bitmap and its corresponding local write bitmaps in an OpenVMS Cluster system. Another new system parameter controls whether write bitmap system messages are sent to the operator console and if they are to be sent, the volume of messages. These system parameters are dynamic, that is, they can be changed on a running system. They are shown in Table 3-4.

In addition, a new volume shadowing system parameter, SHADOW_MAX_UNIT, is provided for specifying the maximum number of shadow sets that can exist on a node. This parameter is described in Table 3-1.

The system parameters for managing write bitmap message traffic control whether the messages are buffered and then packaged in a single SCS message to update the master write bitmap or whether each one is sent immediately. The system parameters are used to set the upper and lower thresholds of message traffic and a time interval during which the traffic is measured.

The writes issued by each remote node are, by default, sent one by one in individual SCS messages to the node with the master write bitmap. This is known as **single-message mode**.

If the writes sent by a remote node reach an upper threshold of messages during a specified interval, single-message mode switches to **buffered-message mode**. In buffered-message mode, the messages (up to nine) are collected for a specified interval and then sent in one SCS message. During periods of increased message traffic, grouping multiple messages to send in one SCS message to the master write bitmap is generally more efficient than sending each message separately.

Managing Write Bitmaps With DCL Commands

The SHOW DEVICE, SHOW CLUSTER, and DELETE commands have been extended for managing write bitmaps.

Determining Write Bitmap Support and Activity

You can find out whether a write bitmap exists for a shadow set by using the DCL command SHOW DEVICE/FULL device-name. If a shadow set supports write bitmaps, **device supports bitmaps** is displayed along with either **bitmaps active** or **no bitmaps active**. If the device does not support write bitmaps, no message pertaining to write bitmaps is displayed.

The following command example shows that no write bitmap is active:

```
$ SHOW DEVICE/FULL DSA0
```

```
Disk DSA0:, device type RAM Disk, is online, mounted, file-oriented device,
shareable, available to cluster, error logging is enabled, device supports
bitmaps (no bitmaps active).
```

Error count	0	Operations completed	47
Owner process	""	Owner UIC	[SYSTEM]
Owner process ID	00000000	Dev Prot	S:RWPL,O:RWPL,G:R,W
Reference count	2	Default buffer size	512
Total blocks	1000	Sectors per track	64
Total cylinders	1	Tracks per cylinder	32
Volume label	"TST0"	Relative volume number	0
Cluster size	1	Transaction count	1
Free blocks	969	Maximum files allowed	250
Extend quantity	5	Mount count	1
Mount status	System	Cache name	"_\$252\$DUA721:XQPCACHE"
Extent cache size	64	Maximum blocks in extent cache	96
File ID cache size	64	Blocks currently in extent cache	0
Quota cache size	0	Maximum buffers in FCP cache	404
Volume owner UIC	[SYSTEM]	Vol Prot	S:RWCD,O:RWCD,G:RWCD,W:RWCD

```
Volume Status: ODS-2, subject to mount verification, file high-water marking,
write-back caching enabled.
```

```
Disk $252$MDA0:, device type RAM Disk, is online, member of shadow set DSA0:.
```

Error count	0	Shadow member operation count	128
Allocation class	252		

```
Disk $252$MDA1:, device type RAM Disk, is online, member of shadow set DSA0:.
```

Error count	0	Shadow member operation count	157
Allocation class	25		

Displaying Write Bitmap IDs

You can find out the ID of each write bitmap on a node with the DCL command `SHOW DEVICE/BITMAP device-name`. The `/BITMAP` qualifier cannot be combined with other `SHOW DEVICE` qualifiers except `/FULL`. The `SHOW DEVICE/BITMAP` display can be brief or full; brief is the default.

If no bitmap is active, no bitmap ID is displayed. The phrase **no bitmaps active** is displayed.

The following example shows a `SHOW DEVICE/BITMAP` display:

```
$ SHOW DEVICE/BITMAP DSA1
Device      BitMap      Size      Percent of
Name        ID          (Bytes)   Full Copy
DSA1:      00010001   652      11%
```

The following example shows a `SHOW DEVICE/BITMAP/FULL` display:

```
$ SHOW DEVICE DSA12/BITMAP/FULL
Device  Bitmap  Size  Percent of Active  Creation      Master  Cluster  Local  Delete  Bitmap
Name    ID      (bytes) Full Copy      Date/Time    Node    Size    Set    Pending Name
-----
DSA12: 00010001 652   11%          Yes  5-MAY-2000 13:30...300F2  127     2%    No    SHAD$TEST
```

NOTE The bitmap name, which is only displayed when you specify `SHOW/DEVICE/FULL`, takes the form of `SHAD$volume-name`, followed by many (about 30) unreadable characters. These unreadable characters are used internally to represent the generation number of the bitmap, the time it was created, and other details. The bitmap name is only used internally. The bitmap ID is used by system managers.

Displaying Write Bitmap Status of Cluster Members

You can specify bitmap information in the `SHOW CLUSTER` display by issuing the `ADD BITMAPS` command, as shown in the following example:

```
$ SHOW CLUSTER/CONTINUOUS
```

```
Command > ADD BITMAPS
Command > ADD CSID
```

```
View of Cluster from system ID 57348 node: WPCM1 14-FEB-2000 13:38:53
```

SYSTEMS		MEMBERS		
NODE	SOFTWARE	CSID	STATUS	BITMAPS
CSGF1	VMS X6TF	300F2	MEMBER	MINICOPY
HSD30Y	HSD YA01	300E6		
HS1CP2	HSD V31D	300F4		
CSGF2	VMS X6TF	300D0	MEMBER	MINICOPY

In this example, `MINICOPY` means that nodes `CSGF1` and `CSGF2` are capable of supporting minicopy operations. If a cluster node does not support minicopy, the term `UNSUPPORTED` replaces `MINICOPY` in the display, and the minicopy function is disabled in the cluster.

Deleting Write Bitmaps

After a minicopy operation is completed, the corresponding write bitmap is automatically deleted.

There may be times when you would like to delete one or more bitmaps. Reasons for deleting bitmaps include the following:

- To recover the memory consumed by a write bitmap
- To stop the recording of the write bitmap

You can delete write bitmaps with the DCL command `DELETE` with the `/BITMAP` qualifier. You use the `bitmap` qualifier to specify the ID of the bitmap you want to delete. For example:

```
$ DELETE/BITMAP/LOG 00010001
```

```
%DELETE-I-DELETED, 00010001 deleted
```

Performance Implications of Write Bitmaps

There are two aspects of write bitmaps that affect performance; the message traffic that occurs between local and master write bitmaps and the size requirements of each bitmap.

The message traffic can be adjusted by changing the message mode. Single message mode is the default. Buffered message mode can improve overall system performance, but the time to record each process's write in the master write bitmap usually takes longer. These modes are described in detail in "System Parameters for Managing Write Bitmap Messages and Shadow Set Limit" on page 120.

Additional memory is required to support write bitmaps, as described in "Memory Requirements" on page 18. Depending on the memory usage of your system, it may require additional memory.

Guidelines for Using a Shadow Set Member for Backup

Volume Shadowing for OpenVMS can be used as an online backup mechanism. With proper application design and proper operating procedures, shadow set members removed from mounted shadow sets constitute a valid backup.

To obtain a copy of a file system or application database for backup purposes using Volume Shadowing for OpenVMS, the standard recommendation has been to determine that the virtual unit is not in a merge state, to dismount the virtual unit, then to remount the virtual unit minus one member. Prior to OpenVMS Version 7.3, there was a documented general restriction on dismounting an individual shadow set member for backup purposes from a virtual unit that is mounted and in active use. This restriction relates to data consistency of the file system, application data, or database located on that virtual unit, at the time the member is removed.

However, HP recognizes that this restriction is unacceptable when true 24x7 application availability is a requirement, and that it is unnecessary if appropriate data-consistency measures can be ensured through a combination of application software and system management practice.

Removing a Shadow Set Member for Backup

With currently supported OpenVMS releases, DISMOUNT can be used to remove members from shadow sets for the purpose of backing up data, provided that the following requirements are met:

- The shadow set must not be in a merge state. HP also recommends that the shadow set not have a copy operation in progress.
- Adequate redundancy must be maintained after member removal. HP recommends that the active shadow set never be reduced to less than two members; alternatively, the shadow sets should employ controller mirroring or RAID 5.

Follow these steps to remove the member:

1. Establish data consistency over the virtual units through system management procedures or application software, or both. This is a complex topic and is the subject of most of the rest of this chapter.
2. Ensure that the requirements regarding merge state and adequate redundancy are met.
3. Remove the members to be backed up from the virtual units.
4. Terminate the data consistency measures taken in step 1.

Data Consistency Requirements

Removal of a shadow set member results in what is called a **crash-consistent copy**. That is, the copy of the data on the removed member is of the same level of consistency as what would result if the system had failed at that instant. The ability to recover from a crash-consistent copy is ensured by a combination of application design, system and database design, and operational procedures. The procedures to ensure recoverability depend on application and system design and will be different for each site.

The conditions that might exist at the time of a system failure range from no data having been written, to writes that occurred but were not yet written to disk, to all data having been written. The following sections describe components and actions of the operating system that may be involved if a failure occurs and there are outstanding writes, that is, writes that occurred but were not written to disk. You must consider these issues when establishing procedures to ensure data consistency in your environment.

Application Activity

To achieve data consistency, application activity should be suspended and no operations should be in progress. Operations in progress can result in inconsistencies in the backed-up application data. While many interactive applications tend to become quiet if there is no user activity, the reliable suspension of application activity requires cooperation in the application itself. Journaling and transaction techniques can be used to address in-progress inconsistencies but must be used with extreme care. In addition to specific applications, miscellaneous interactive use of the system that might affect the data to be backed up must also be suspended.

RMS Considerations

Applications that use RMS file access must be aware of the following issues.

Caching and Deferred Writes

RMS can, at the application's option, defer disk writes to some time after it has reported completion of an update to the application. The data on disk will be updated in response to other demands on the RMS buffer cache and to references to the same or nearby data by cooperating processes in a shared file environment.

Writes to sequential files are always buffered in memory and are not written to disk until the buffer is full.

End of File

The end-of-file pointer of a sequential file is normally updated only when the file is closed.

Index Updates

The update of a single record in an indexed file may result in multiple index updates. Any of these updates can be cached at the application's option. Splitting a shadow set with an incomplete index update will result in inconsistencies between the indexes and data records. If deferred writes are disabled, RMS orders writes so that an incomplete index update may result in a missing update but never in a corrupt index. However, if deferred writes are enabled, the order in which index updates are written is unpredictable.

Run-Time Libraries

The I/O libraries of various languages use a variety of RMS buffering and deferred write options. Some languages allow application control over the RMS options.

\$FLUSH

Applications can use the \$FLUSH service to guarantee data consistency. The \$FLUSH service guarantees that all updates completed by the application (including end of file for sequential files) have been recorded on the disk.

J ournaling and Transactions

RMS provides optional roll-forward, roll-back, and recovery unit journals, and supports transaction recovery using the OpenVMS transaction services. These features can be used to back out in-progress updates from a removed shadow set member. Using such techniques requires careful data and application design. It is critical that virtual units containing journals be backed up along with the base data files.

Mapped Files

OpenVMS allows access to files as backing store for virtual memory through the process and global section services. In this mode of access, the virtual address space of the process acts as a cache on the file data. OpenVMS provides the \$UPDSEC service to force updates to the backing file.

Database Systems

Database management systems, such as those from Oracle®, are well suited to backup by splitting shadow sets, since they have full journaling and transaction recovery built in. Before dismounting shadow set members, an Oracle database should be put into "backup mode" using SQL commands of the following form:

```
ALTER TABLESPACE tablespace-name BEGIN BACKUP;
```

This command establishes a recovery point for each component file of the tablespace. The recovery point ensures that the backup copy of the database can subsequently be recovered to a consistent state. Backup mode is terminated with commands of the following form:

```
ALTER TABLESPACE tablespace-name END BACKUP;
```

It is critical to back up the database logs and control files as well as the database data files.

Base File System

The base OpenVMS file system caches free space. However, all file metadata operations (such as create and delete) are made with a “careful write-through” strategy so that the results are stable on disk before completion is reported to the application. Some free space may be lost, which can be recovered with an ordinary disk rebuild. If file operations are in progress at the instant the shadow member is dismounted, minor inconsistencies may result that can be repaired with ANALYZE/DISK. The careful write ordering ensures that any inconsistencies do not jeopardize file integrity before the disk is repaired.

\$QIO File Access and VIOC

OpenVMS maintains a virtual I/O cache (VIOC) to cache file data. However, this cache is write through. OpenVMS Version 7.3 introduces extended file cache (XFC), which is also write through.

File writes using the \$QIO service are completed to disk before completion is reported to the caller.

Multiple Shadow Sets

Multiple shadow sets present the biggest challenge to splitting shadow sets for backup. While the removal of a single shadow set member is instantaneous, there is no way to remove members of multiple shadow sets simultaneously. If the data that must be backed up consistently spans multiple shadow sets, application activity must be suspended while all shadow set members are being dismounted. Otherwise, the data will not be crash consistent across the multiple volumes. Command procedures or other automated techniques are recommended to speed the dismount of related shadow sets. If multiple shadow sets contain portions of an Oracle database, putting the database into backup mode ensures recoverability of the database.

Host-Based RAID

The OpenVMS software RAID driver presents a special case for multiple shadow sets. A software RAID set may be constructed of multiple shadow sets, each consisting of multiple members. With the management functions of the software RAID driver, it is possible to dismount one member of each of the constituent shadow sets in an atomic operation. Management of shadow sets used under the RAID software must always be done using the RAID management commands to ensure consistency.

OpenVMS Cluster Operation

All management operations used to attain data consistency must be performed for all members of an OpenVMS Cluster system on which the affected applications are running.

Testing

Testing alone cannot guarantee the correctness of a backup procedure. However, testing is a critical component of designing any backup and recovery process.

Restoring Data

Too often, organizations concentrate on the backup process with little thought to how their data will be restored. Remember that the ultimate goal of any backup strategy is to recover data in the event of a disaster. Restore and recovery procedures must be designed and tested as carefully as the backup procedures.

Revalidation of Data Consistency Methods

The discussion in this section is based on features and behavior of OpenVMS Version 7.3 (and higher) and applies to prior versions as well. Future versions of OpenVMS may have additional features or different behavior that affect the procedures necessary for data consistency. Sites that upgrade to future versions of OpenVMS must reevaluate their procedures and be prepared to make changes or to employ nonstandard settings in OpenVMS to ensure that their backups remain consistent.

Using Minicopy for Backing Up Data (Alpha)

Guidelines for Using a Shadow Set Member for Backup

8 Performing System Management Tasks on Shadowed Systems

This chapter explains how to accomplish system maintenance tasks on a standalone system or an OpenVMS Cluster system that uses volume shadowing.

Upgrading the Operating System on a System Disk Shadow Set

It is important to upgrade the operating system at a time when your system can afford to have its shadowing support disabled. This is because you cannot upgrade to new versions of the OpenVMS operating system on a shadowed system disk. If you attempt to upgrade a system disk while it is an active member of a shadow set, the upgrade procedure will fail.

Procedure for Upgrading Your Operating System

This procedure is divided into four parts:

- Preparing a shadowed system disk for the upgrade.
- Performing the upgrade.
- Enabling volume shadowing on the upgraded system.
- Booting other nodes in an OpenVMS Cluster system from the upgraded disk.

Preparing a Shadowed System Disk

1. On OpenVMS Cluster systems, choose the node on which you want to perform the upgrade.
2. Create a nonshadowed system disk to do the upgrade using either of these methods:
 - Prepare a copy of the current system disk to use as the target of the upgrade procedure. See “Using Copy Operations to Create a Backup” on page 135.
 - Use BACKUP to create a compressed copy of the shadow set on a single scratch disk (a disk with no useful data). See “Using BACKUP/IMAGE on a Shadow Set” on page 136 for an example.
3. Enter the MOUNT/OVERRIDE=`SHADOW_MEMBERSHIP` command on the upgrade disk to zero the shadowing-specific information on the storage control block (SCB) of the disk. Do not mount the disk for systemwide or clusterwide access; omit the /SYSTEM and /CLUSTER qualifiers on the MOUNT command line.
4. Use the DCL command SET VOLUME/LABEL=`volume-label device-spec[:]` to change the label on the upgrade disk. (The SET VOLUME/LABEL command requires write access [W] to the index file on the volume. If you are not the volume owner, you must have either a system UIC or the SYSPRV privilege.) For OpenVMS Cluster systems, ensure that the volume label is a unique name across the cluster.

NOTE If you need to change the volume label of a disk that is mounted across the cluster, be sure you change the label on all nodes in the OpenVMS Cluster system. For example, you could propagate the volume label change to all nodes in the cluster with one SYSMAN utility command, after you define the environment as the cluster:

```
SYSMAN> SET ENVIRONMENT/CLUSTER
SYSMAN> DO SET VOLUME/LABEL=new-label disk-device-name:
```

5. Ensure that the boot command line or file boots from the upgrade disk. The manner in which you store the boot command information depends on the processor on which you are working. For more information about storing boot commands, see the instructions in your hardware installation guide, the upgrade and installation supplement for your VAX computer, or the upgrade and installation manual for your Alpha computer.

If volume shadowing is enabled on the node, disable it according to the instructions in step 6. Otherwise, proceed to Performing the Upgrade.

6. Prepare to perform the upgrade procedure by disabling system disk shadowing (if it is enabled) on the node to be upgraded.

NOTE You cannot perform an upgrade on a shadowed system disk. If your system is set up to boot from a shadow set, you must disable shadowing the system disk before performing the upgrade. This requires changing SYSGEN parameter values interactively using the SYSGEN utility.

Invoke SYSGEN by entering the following command:

```
$ RUN SYS$SYSTEM:SYSGEN
```

On OpenVMS Alpha systems, enter the following:

```
SYSGEN> USE upgrade-disk: [SYSn.SYSEXE]ALPHAVMSSYS.PAR
SYSGEN>
```

On OpenVMS VAX systems, enter the following:

```
SYSGEN> USE upgrade-disk: [SYSn.SYSEXE]VAXVMSSYS.PAR
SYSGEN>
```

The USE command defines the system parameter file from which data is to be retrieved. You should replace the variable *upgrade-disk* with the name of the disk to be upgraded. For the variable *n* in [SYS*n*.SYSEXE], use the system root directory you want to boot from (this is generally the same root you booted from before you started the upgrade procedure).

Disable shadowing of the system disk by setting the SYSGEN parameter SHADOW_SYS_DISK to 0, as follows:

```
SYSGEN> SET SHADOW_SYS_DISK 0
```

On OpenVMS Alpha systems, enter:

```
SYSGEN> WRITE upgrade-disk: [SYSn.SYSEXE]ALPHAVMSSYS.PAR
```

On OpenVMS VAX systems, enter:

```
SYSGEN> WRITE upgrade-disk: [SYSn.SYSEXE]VAXVMSSYS.PAR
```

Type EXIT or press Ctrl/Z to exit the SYSGEN utility and return to the DCL command level.

You must also change parameters in the MODPARAMS.DAT file before shutting down the system. Changing parameters before shutdown ensures that the new system parameter values take effect when AUTOGEN reads the MODPARAMS.DAT file and reboots the nodes. Edit

```
upgrade-disk:[SYSn:SYSEXE]MODPARAMS.DAT to set SHADOWING and SHADOW_SYS_DISK to 0.
```

Even if you plan to use the upgraded system disk to upgrade the operating system on other OpenVMS Cluster nodes, you should complete the upgrade on one node before altering parameters for other nodes. Proceed to Performing the Upgrade.

Performing the Upgrade

1. Boot from and perform the upgrade on the single, nonshadowed disk. Follow the upgrade procedure described in the OpenVMS upgrade and installation manual.
2. If you are upgrading a system that already has the volume shadowing software installed and licensed, then skip to Part 3.

Otherwise, you must register the Volume Shadowing for OpenVMS Product Authorization Key (PAK) or keys. PAK registration is described in the release notes and cover letter supplied with your installation kit.

Enabling Volume Shadowing on the Upgraded System

Once the upgrade is complete and the upgraded node has finished running AUTOGEN, you can enable shadowing for the upgraded node using the following steps.

1. Invoke the System Generation utility (SYSGEN) by entering the following command:

```
$ RUN SYS$SYSTEM:SYSGEN
SYSGEN> USE CURRENT
SYSGEN>
```

The USE CURRENT command initializes the SYSGEN work area with the source information from the current system parameter file on disk. (To find out the current value of system parameters, use the SHOW command [for example, SHOW SHADOWING] to see the current system parameter values as well as the minimum, maximum, and default values of the parameters.)

To enable shadowing, set the system parameter SHADOWING to 2. If the system disk is to be a shadow set, set the system parameter SHADOW_SYS_DISK to 1, and set the SHADOW_SYS_UNIT parameter to the unit number of the virtual unit, as follows (assume the system disk virtual unit is DSA54):

```
SYSGEN> SET SHADOWING 2
SYSGEN> SET SHADOW_SYS_DISK 1
SYSGEN> SET SHADOW_SYS_UNIT 54
SYSGEN> WRITE CURRENT
```

Type EXIT or press Ctrl/Z to exit the SYSGEN utility and return to the DCL command level.

2. To ensure that volume shadowing is enabled each time AUTOGEN executes, edit the SYS\$SYSTEM:MODPARAMS.DAT file to set the shadowing parameters. For OpenVMS Cluster systems, set system parameters in MODPARAMS.DAT on each node that uses volume shadowing. See Chapter 3 for more information about editing the MODPARAMS.DAT file.
3. Shut down the system on which you performed the upgrade, and reboot.

Booting Other Nodes in the OpenVMS Cluster System from the Upgraded Disk

If other nodes boot from the upgraded disk, the OpenVMS upgrade procedure automatically upgrades and runs AUTOGEN on each node when it is booted. The procedure for booting other nodes from the upgraded disk differs based on whether the upgraded disk has been made a shadow set.

1. If the upgraded disk is not yet a shadow set:
 - a. Disable shadowing (if it is enabled) for the system disk on the nodes to be upgraded.
 - b. Alter the boot files for those nodes so they boot from the upgraded disk.
 - c. Make sure the system parameters in the node-specific SYS\$SYSTEM:MODPARAMS.DAT files are correct (as described in “Setting System Parameters” on page 42). When the OpenVMS upgrade procedure invokes AUTOGEN, it will use these parameter settings.
 - d. Boot the nodes from the upgraded disk.
2. If the upgraded disk is already a shadow set member, additional steps are required:
 - a. For each node to be booted from the upgraded disk, edit VAXVMSSYS.PAR for VAX systems and ALPHAVMSSYS.PAR for Alpha systems, and MODPARAMS.DAT to enable system disk shadowing. Set SHADOWING to 2, SHADOW_SYS_DISK to 1, and SHADOW_SYS_UNIT to the number of the system disk's virtual unit name. Remember to modify the files on the upgraded disk, not on the system disk, prior to upgrade.
 - b. Modify the computer console so that the system boots from the upgraded disk.

On VAX computers, depending on which model you have, you can alter the boot file on the console media or use a console command to change nonvolatile RAM.

On Alpha computers, you can use the SET BOOTDEF_DEV console command. For more information, see the hardware information or the upgrade and installation manual for your system.
 - c. Boot each node. With shadowing enabled in each node's ALPHAVMSSYS.PAR or VAXVMSSYS.PAR on the upgraded disk, the node will be able to boot from the shadowed (upgraded) system disk.

Once you have successfully upgraded the system or systems and you have completed other postupgrade work (such as layered product installations), perform the following steps:

1. Mount additional shadow set members into the shadow set, if necessary. Do not use a command procedure to add members to a system disk shadow set. For more information, see “Booting from a System Disk Shadow Set” on page 43.
2. Back up your new system disk shadow set. If you usually use online BACKUP for this task, you can use one of the procedures described in “Performing Backup Operations on a Shadow Set” on page 133. If you usually use standalone BACKUP at this point, refer to “Restrictions on BACKUP Procedures” on page 134.

Modifying Data on Individual Shadow Set Members

Generally, users and applications access a shadow set through the virtual unit. Occasionally, you may want to change the data on an individual shadow set member and then pass the changed data to other shadow set members.

The following series of commands demonstrates how you can dissolve and recreate the shadow set to perform specialized processes on one shadow set member and transfer the change to the other shadow set members.

The following command mounts a shadow set with three shadow set members:

```
$ MOUNT DSA9:/SHADOW=($45$DUA2:,$45$DUA4:,$45$DUA8:) MAX1
```

The following command dissolves the shadow set mounted in the previous command and makes the individual shadow set members available:

```
$ DISMOUNT DSA9:
```

The following command mounts one former shadow set member as a disk volume outside of the shadow set:

```
$ MOUNT/OVERRIDE=SHADOW_MEMBERSHIP $45$DUA2: MAX1
```

In this command, in order to have write access, you must use the /OVERRIDE=SHADOW_MEMBERSHIP qualifier to zero the shadow set generation number. At this point, the disk is mounted as a nonshadowed volume and can be modified as required.

Before creating a new shadow set, dismount the \$45\$DUA2 physical disk, as follows:

```
$ DISMOUNT/NOUNLOAD $45$DUA2
$ MOUNT DSA9:/SHADOW=$45$DUA2: MAX1
```

The second command recreates the shadow set with \$45\$DUA2 as the only member.

Note that mounting \$45\$DUA2 with the /OVERRIDE=SHADOW_MEMBERSHIP qualifier automatically zeroed the volume shadowing generation number. If you were to specify all the former members of the shadow set in the same command line, the MOUNT command would consider \$45\$DUA2 an unrelated volume and would determine that it requires a copy operation. This would overwrite the earlier modifications.

To save the current contents of \$45\$DUA2, add the other two former shadow set members to the new shadow set with a subsequent MOUNT command:

```
$ MOUNT DSA9:/SHADOW=($45$DUA4:,$45$DUA8:) MAX1
```

In this command, \$45\$DUA4 and \$45\$DUA8 are added to the shadow set DSA9. This recreates the original shadow set, except that each shadow set member now has the benefit of the changed data that was done to the single shadow set member.

Performing Backup Operations on a Shadow Set

You should think of a shadow set as a single, highly available disk. As such, backup techniques for nonshadowed disks apply to shadow set virtual units. However, to preserve the consistency and integrity of the shadow set, avoid removing a physical member of the shadow set without dismounting the virtual unit unless you have scrupulously followed the guidelines in “Guidelines for Using a Shadow Set Member for Backup” on page 123. If you leave some disk members of a shadow set active during the backup operation, data integrity is compromised because some disks in the shadow set may have files open. Refer to “Dismounting and Remounting With One Less Member for Backup” on page 75 for information about obtaining a member of a shadow set for the source of a backup operation.

The following list describes options that are available when backing up shadow sets that are not available with nonshadowed disks.

Performing Backup Operations on a Shadow Set

- To obtain a defragmented backup of a shadowed disk, begin by closing files and stopping application access to the disks. Dismount the virtual unit to dissolve the shadow set. Use the /NOUNLOAD qualifier to avoid spinning down the members of the shadow set. Remount the virtual unit as a private device, and use BACKUP/IMAGE (see “Using BACKUP/IMAGE on a Shadow Set” on page 136) with the virtual unit as the source of the backup operation. This is the recommended method of backing up shadow sets.
- To minimize the amount of time that data is unavailable to applications, consider remounting the shadow set with one less member (see “Dismounting and Remounting With One Less Member for Backup” on page 75). Then back up the dismounted member. This technique keeps the shadow set in service at the same time that you perform a backup operation. Once the backup is complete, remount the member into the shadow set. The shadowing software performs a copy, or minicopy, operation to make that member consistent with the other members of the shadow set.

If a spare disk of the type present in the shadow set is available, consider mounting the spare disk into the shadow set to minimize the time that the shadow set runs with reduced membership. Then, the member that served as the source of the backup can become a spare disk.

- To ensure complete integrity of the backup of the system disk, you must shut down the systems that boot from it. For system disk shadow sets, you should also dismount the virtual unit by any other systems that have it mounted. Then remount the virtual unit as a private device on one of the systems that was not shut down, and use it as the source for a BACKUP/IMAGE operations (see “Using BACKUP/IMAGE on a Shadow Set” on page 136).

In addition, to provide system disk shadowing quickly as you perform a backup operation, remount the shadow set minus one member. Back up that member and either remount it into the shadow set or mount a spare disk. You can use standalone BACKUP (VAX) or the menu-driven BACKUP procedure (Alpha) on one of the systems that is down while the other systems are rebooted.

- To do an incremental backup, use the virtual unit, not a single member of the shadow set. This is because incremental backups alter information in file headers. If you perform an incremental backup on a removed member of a shadow set, that member needs to be the target of a copy operation.

HSC BACKUP and RESTORE techniques are not recommended for saving and restoring the contents of a shadow set member. These HSC utilities are applicable to the disk geometry only, not to the OpenVMS file system. Although HSC BACKUP and RESTORE techniques save and restore the contents of an entire disk volume (including blocks that may not be in use by the file system on that volume), they do not save and restore specific files, groups of files, directories, or subdirectories. In addition, these utilities do not defragment a disk. Moreover, the utilities cannot restore the context of a shadow set virtual unit.

The following sections describe several approaches to shadow set backup operations.

Restrictions on BACKUP Procedures

On VAX systems, accessing shadow sets from standalone BACKUP is not supported. The command procedures supplied with OpenVMS for building standalone BACKUP kits are designed to prevent standalone BACKUP from using volume shadowing improperly. However, these checks can easily be overridden by a well-informed and sufficiently privileged user.

Note the following restrictions for standalone BACKUP on VAX systems that use volume shadowing:

- Do not boot standalone BACKUP from an alternative root on a shadowed system disk while other nodes are booting from the same shadowed system disk. If you do this, the boot attempt will fail.
- Standalone BACKUP does not mount virtual units. This makes access to virtual units impossible from standalone BACKUP.

- Do not assume that standalone BACKUP prevents you from accessing a shadow set member unit. You must prevent standalone BACKUP from sending output to a disk mounted on any other OpenVMS Cluster member, either as a directly accessible disk or as the member of a shadow set.

On Alpha computers, the same restrictions apply. You cannot use the standalone, menu-driven procedure included on the OpenVMS Alpha operating system distribution compact disc to perform BACKUP operations on shadow sets.

Using Copy Operations to Create a Backup

This example shows how to use volume shadowing copy operations to create an offline identical disk volume that you can then use as a backup of your shadow set. The following command creates a shadow set with one shadow set member:

```
$ MOUNT DSA0:/SHADOW=$1$DUA10: SHADOWFACTS
%MOUNT-I-MOUNTED, SHADOWFACTS mounted on _DSA0:
%MOUNT-I-SHDWMEMSUCC, _$1$DUA10: (DISK01) is now a
                        valid member of the shadow set
```

The following command adds a second member, \$1\$DUA11, to the shadow set:

```
$ MOUNT DSA0:/SHADOW=$1$DUA11: SHADOWFACTS
%MOUNT-I-SHDWMEMCOPY, _$1$DUA11: (DISK02) added to the shadow
                        set with a copy operation
```

At this point you must wait for the copy operation to complete before dismounting the shadow set. When the copy operation is complete, messages are sent to the system console and to any operators enabled to receive them.

The following command dismounts the shadow set, leaving \$1\$DUA10 and \$1\$DUA11 with logically identical volumes:

```
$ DISMOUNT DSA0:
```

At this point you can re-create the shadow set with one of the volumes and keep the other as a backup, or use it as a source for the backup operation.

Using the OpenVMS Backup Utility

Generally you can use the OpenVMS Backup utility (BACKUP) with shadow sets as you do with regular volumes. (See the HP OpenVMS System Manager's Manual for a description of how to back up volumes.) You can create BACKUP save sets or copies from shadow sets by using the shadow set virtual unit name instead of a physical device name as the input specifier. However, you cannot always restore to a shadow set by listing the virtual unit name as an output specifier. The main restriction to any backup restoration is that you cannot mount the target volume with the /FOREIGN qualifier. The proper procedure for a BACKUP/IMAGE restoration is described in "Using BACKUP/IMAGE on a Shadow Set" on page 136.

The format for a BACKUP command is as follows:

```
BACKUP input-specifier output-specifier
```

The format is the same as for any BACKUP operation. The following command, for example, designates a virtual unit for the input specifier:

```
$ BACKUP/RECORD DSA2:[*...]/SINCE=BACKUP MTA0:23DEC.BCK
$ BACKUP/RECORD DSA2:[*...]/SINCE=BACKUP MTA0:23DEC.BCK
```

This command saves all files on the shadow set DSA2 that have been created or modified since the last backup and records the current time as their new backup date.

Using BACKUP/IMAGE on a Shadow Set

You must take special precautions when you restore a shadow set from a BACKUP/IMAGE save set. (See the HP OpenVMS System Manager's Manual and the HP OpenVMS System Management Utilities Reference Manual for a description of BACKUP/IMAGE operations with physical volumes.) A BACKUP/IMAGE operation marks the target volume as more current than the other shadow set members. This designates it as the source of copy operations if you re-create the shadow set with it.

Although you can create BACKUP save sets or copies from shadow set virtual units, you cannot mount your shadow set with the /FOREIGN qualifier to allow a BACKUP/IMAGE restoration.

You should either restore to a physical disk and then re-create the shadow set with the restored disk as a shadow set member (Example 2) or, if the save operation was a copy to a compatible disk, re-create the shadow set with that disk as a member (Example 3). The target of the BACKUP/IMAGE operation becomes the source of copy operations if you re-create the shadow set with it.

Example 1

This example shows how to perform a backup on a former shadow set member after you rebuild the shadow set.

```
$ MOUNT DSA0:/SHADOW=($1$DUA10:, $1$DUA11:) GHOSTVOL
%MOUNT-I-MOUNTED, GHOSTVOL      mounted on _DSA0:
%MOUNT-I-SHDWMEMSUCC, _$1$DUA10: (DISK01) is now a valid
                             member of the shadow set
%MOUNT-I-SHDWMEMSUCC, _$1$DUA11: (DISK02) is now a valid
                             member of the shadow set
```

The previous command mounts the shadow set DSA0. Make sure all copy operations are finished before you dismount the shadow set by using the following command:

```
$ DISMOUNT DSA0:
```

This command dismounts the shadow set.

```
$ MOUNT/SYSTEM DSA0/SHADOW=$1$DUA10: GHOSTVOL
%MOUNT-I-MOUNTED, GHOSTVOL      mounted on _DSA0:
%MOUNT-I-SHDWMEMSUCC, _$1$DUA10: (DISK01) is now a valid
                             member of the shadow set
```

This command puts the shadow set back on line without **\$1\$DUA11**. You can now perform the backup to tape while the shadow set is on line.

```
$ MOUNT $1$DUA11: GHOSTVOL
%MOUNT-W-VOLSHDWMEM, mounting a shadow set member volume
                             volume write locked
%MOUNT-I-MOUNTED, GHOSTVOL      mounted on _$1$DUA11:
```

```
$ MOUNT/FOREIGN MTA0:
%MOUNT-I-MOUNTED, ...
```

These two commands mount the former shadow set member and a magnetic tape in preparation for a BACKUP command.

```
$ BACKUP/IMAGE $1$DUA11: MTA0:SAVESET.BCK
```

This command produces a BACKUP/IMAGE save set from **\$1\$DUA11** while the shadow set is on line with **\$1\$DUA10**.

Example 2

This example shows how to restore a shadow set from an image save set. Restoring an image save set directly to a shadow set is not supported because the BACKUP output medium (the shadow set) must be mounted as a foreign volume.

```
$ DISMOUNT DSA0:  
$ MOUNT/FOREIGN MTA0:  
%MOUNT-I-MOUNTED, ...
```

```
$ MOUNT/FOREIGN/OVERRIDE=SHADOW_MEMBERSHIP $1$DUA10:  
%MOUNT-I-MOUNTED, ...
```

These two commands mount the save-set magnetic tape as the input specifier and the former shadow set member as the output specifier for the restore operation.

```
$ BACKUP/IMAGE MTA0:SAVESET.BCK $1$DUA10:
```

This command restores \$1\$DUA10 from the save set.

```
$ DISMOUNT/NOUNLOAD $1$DUA10:
```

This command dismounts the restored volume in preparation for mounting into a shadow set.

NOTE Do not attempt to add the restored volume to an existing shadow set without first dissolving the original shadow set. Mounting a restored volume into an existing shadow set will result in a copy operation erasing the restored disk.

```
$ MOUNT/SYSTEM DSA0/SHADOW=($1$DUA10:, $1$DUA11:) GHOSTVOL  
%MOUNT-I-MOUNTED, GHOSTVOL mounted on _DSA0:  
%MOUNT-I-SHDWMEMSUC, _$1$DUA10: (DISK01) is now a valid member of  
the shadow set  
%MOUNT-I-SHDWMEMCOPY, _$1$DUA11: (DISK02) added to the shadow set  
with a copy operation
```

This command mounts the shadow set with the restored shadow set member. The output of the image backup operation has a newer generation number than other previous members of the shadow set. Therefore, \$1\$DUA10 (the restored volume) is the source of a copy operation when you form the shadow set.

Example 3

This example illustrates a BACKUP/IMAGE copy operation on a shadow set. The image backup operation stores output files contiguously, eliminating disk fragmentation. Because you must mount the output device of such operations with the /FOREIGN qualifier, you must take special steps as shown with the following commands:

```
$ MOUNT DSA0:/SHADOW=($1$DUA10:,$1$DUA11:) MEANDMY  
%MOUNT-I-MOUNTED, MEANDMY mounted on _DSA0:  
%MOUNT-I-SHDWMEMSUC, _$1$DUA10: (DISK03) is now a valid  
member of the shadow set  
%MOUNT-I-SHDWMEMSUC, _$1$DUA11: (DISK04) is now a valid  
member of the shadow set  
$ MOUNT/FOREIGN $1$DUA20:  
%MOUNT-I-MOUNTED, ...
```

The first command mounts the shadow set DSA0. The second command mounts, on \$1\$DUA20, the volume to be the output of the BACKUP/IMAGE operation. The /FOREIGN qualifier is required.

```
$ BACKUP/IMAGE/IGNORE=INTERLOCK DSA0: $1$DUA20:
```

This command performs the image backup using the virtual unit name as the input specifier. The image backup copy of a shadow set has a newer backup revision number than the existing members in the shadow set.

Crash Dumping to a Shadowed Disk

NOTE If any writes occur between the start of the backup operation and the dismount of both the volume containing the image backup copy and the shadow set, the backup image will not contain all the data on the shadow set. You can prevent any writes from occurring during this period by mounting the shadow set with the `/NOWRITE` qualifier prior to mounting the volume that will serve as the backup volume.

```
$ DISMOUNT $1$DUA20:
```

```
$ DISMOUNT DSA0:
```

These commands dismount the target of the image backup and the shadow set, in preparation for re-creating the shadow set.

```
$ MOUNT/SYSTEM DSA0/SHADOW=($1$DUA10:, $1$DUA11:, $1$DUA20:) MEANDMY
```

```
%MOUNT-I-MOUNTED, MEANDMY      mounted on _DSA0:
```

```
%MOUNT-I-SHDWMEMSUCC, _$1$DUA20: (DISK05) is now a valid
                             member of the shadow set
```

```
%MOUNT-I-SHDWMEMCOPY, _$1$DUA10: (DISK03) added to the shadow
                             set with a copy operation
```

```
%MOUNT-I-SHDWMEMCOPY, _$1$DUA11: (DISK04) added to the shadow
                             set with a copy operation
```

This command rebuilds the shadow set with the image backup disk as one of the shadow set members. The other former shadow set members receive copy operations.

Crash Dumping to a Shadowed Disk

If a multiple-member system disk shadow set is mounted and the system fails, the resulting crash dump information is initially written to the dump file on only one of the shadow set members. Once the dump operation has successfully completed, the unit number of the member with the written dump file is printed on the console device. Error messages display if the dump cannot be written (for example, because the path to the dump unit is unavailable or is unsuitable).

NOTE The crash dump file is normally written to the original boot device, provided that it is available and on line. If that device has been removed from the shadow set, the dump file is written to the current master member of the shadow set, provided that it is available and on line.

If the storage controllers attached to your system support minimerge, you can enable a minimerge on a shadowed system disk and write a dump to a nonshadowed, nonsystem disk of your choice by doing the following:

- Set the `SHADOW_SYS_DISK` system parameter to 4097
- Set the `DUMPSTYLE` system parameter to the appropriate setting for your system for a nonshadowed, nonsystem disk of your choice.
- Configure a disk for dump off system disk (DOSD), as described in the HP OpenVMS System Manager's Manual, Volume 2: Tuning, Monitoring, and Complex Systems.

NOTE HSC and HSJ controllers support minimerge. Minimerge support is planned for HSG controllers.

If you accidentally enable a minimerge to a system disk that receives a crash dump and you have not set up DOSD, you may be able to recover if you know which disk contains the valid dump. Remove that member, remount it, and remove the dump from that member.

Once the system is rebooted, the shadowing software automatically begins a merge operation. This merge operation automatically propagates the dump file to all of the other members and also corrects any other inconsistencies caused by the system failure.

You can reboot the system from either the original boot device or the current master member device. At boot time, if the paths to all of the members of the shadow set are on the same type of adapter, the shadowing software correctly designates the current master and dump device on all of the booting nodes. At boot time, several OPCOM messages display information about the status of the dump device and the reboot condition of the system.

You cannot reboot the system unless the boot device is a current member of the shadow set. When a multiple member system disk shadow set loses its boot device, a warning is printed on the console device, and an OPCOM message is displayed.

CAUTION Do not add shadow set members to an existing system disk shadow set in any startup command procedure. Upon system reboot, all of the data, including the dump file, can be overwritten and therefore lost if volume shadowing automatically performs a copy operation. For more information, see the **Caution** in “Booting from a System Disk Shadow Set” on page 43.

On some systems, you can stipulate that multiple devices be members of the same system disk shadow set. Please refer to the system-specific manual for further details.

If you use the System Dump Analyzer (SDA) to access the dump file on the virtual unit during the merge operation, you can enter the SDA command ANALYZE/CRASH to examine the dump while the shadow set is undergoing a merge operation. If SDA accesses portions of the dump file that have not yet been merged, shadowing resolves inconsistent data across the shadow set before the read is returned to SDA.

You can also use the Crash Log Utility Extractor (CLUE) commands to access the dump file on the virtual unit during a merge operation. CLUE commands can automatically create a footprint of the crash to a .LIS file and store it for future reference.

NOTE Accessing the dump file with the SDA command COPY or the SDA command ANALYZE/CRASH on a merging system disk will significantly degrade I/O performance on the volume. Accessing the dump file with the DCL command COPY on a merging system disk will have the same effect.

9 Performance Information for Volume Shadowing

Volume Shadowing for OpenVMS is designed primarily to be a data availability product and not a performance product. Recognizing that the topics of performance and data availability cannot be completely separated from each other, this chapter discusses the performance effects that can result on systems using Volume Shadowing for OpenVMS.

Factors That Affect Performance of a Shadow Set

Several factors affect the performance of a shadow set, including the following:

- I/O access path (local versus remote)
- Size of I/O requests
- Data access patterns (random or sequential)
- Read-to-write ratio
- Shadow set configuration
- State of a shadow set (steady or transient)
- Whether or not you use the shadowing copy and merge performance assists (see “Improving Performance for Merge and Copy Operations” on page 145)
- Whether or not you use the minicopy operation (see “Improving Performance for Merge and Copy Operations” on page 145)
- Other work load on the system utilizing common resources (CPUs, disks, controllers, interconnects)
- Striping (RAID) implementation

The following sections examine how the state of a shadow set and its configuration can affect resource utilization and performance. Some guidelines for controlling the use of system resources are also provided in “Guidelines for Managing Shadow Set Performance” on page 146. Because there is no significant difference in the performance of a nonshadowed disk and a one-member shadow set, all discussions that follow apply to multiple-member shadow sets.

Performance During Steady State

A shadow set is in a steady state when all of its members are consistent and no copy operation or merge operation is in progress. Overall, the performance of a shadow set in a steady state compares favorably with that of a nonshadowed disk. Read and write I/O requests processed by a shadow set utilize a very small

Performance During Copy and Merge Operations

amount of extra CPU processing time as compared with a nonshadowed disk. A shadow set often can process read requests more efficiently than can a nonshadowed disk because it can use the additional devices to respond to multiple read requests simultaneously.

For a shadow set in a steady state, the shadowing software handles read and write operations in the following manner:

- Write I/O requests are issued concurrently to all members of the shadow set. Because each member must be updated before the I/O request is considered complete, the overall completion time for a write operation is determined by the member unit with the longest access time from the node issuing the write request. Depending on how the shadow set is configured and the access paths to the individual member units, you might observe a slight increase in the time it takes to complete write I/O requests. The steady state performance is generally better to a member that is locally connected because the access path is shorter and more direct than the access path to a served member. For example, you might notice degraded write performance on shadow sets that include some members that are accessed through an MSCP server across a network link, where each member is locally connected to a separate node.
- Read I/O requests are issued to only one member unit. Volume Shadowing for OpenVMS attempts to access the member unit that can provide the best completion time. In terms of I/O throughput, a two-member shadow set can satisfy nearly twice as many read requests as a nonshadowed disk (and even more throughput is possible with a three-member shadow set). The shadow set can use the additional disk read heads to respond to multiple read requests at the same time. Thus, a steady-state shadow set can provide better performance when an application or user reads data from the disk. However, the performance gains occur mainly when the read requests queued to the shadow set come in batches such that there are as many read requests as there are member units.

Even though the read performance of a shadow set in steady-state has the potential for better performance, the primary purpose of volume shadowing is to provide data availability. It is not appropriate to use volume shadowing as a means to increase the read I/O throughput of your applications (by explicitly increasing the I/O work load). This is because the same level of performance cannot be expected during situations when copy or merge operations must take place to add new members or preserve data consistency, or when members are removed from the shadow set. “Performance During Copy and Merge Operations” on page 142 discusses performance considerations when the shadow set is in a transient state.

Performance During Copy and Merge Operations

A shadow set is in a transient state when some or all of its members are undergoing a copy or merge operation. During merge operations, Volume Shadowing for OpenVMS ensures consistency by reading the data from one member and making sure it is the same as the data contained in the same LBNs on the other members of the shadow set. If the data is different, the shadowing software updates the LBN on all members before returning the I/O request. For copy operations, the shadowing software reads data from a source member and writes the data to the same LBN on target members.

At the same time it performs a merge or copy operation, the shadowing software continues to process application and user I/O requests. The I/O processing necessitated by a copy operation can result in decreased performance as compared with the possible performance of the same shadow set under steady-state conditions. However, if your shadow set members are configured on controllers that support the shadowing assisted copy and assisted merge operations, you can significantly improve the speed with which a shadow set performs a copy or merge operation. Volume Shadowing for OpenVMS supports both assisted and unassisted merge and copy operations.

The following list describes how the performance of a shadow set might be affected while an unassisted merge or copy operation is in progress. See Chapter 6 for a description of assisted copy and merge operations.

- Copy operations

A copy operation is started on a two- or three-member shadow set either when you mount the shadow set to create it or to add a new member to an existing shadow set. During a copy operation, members that are targets of the operation cannot provide data availability until the operation completes. Therefore, the shadowing software performs the copy operation as quickly as possible to make the shadow set fully available.

During a copy operation, the shadowing software gives equal priority to user and application I/O requests and to I/O requests necessary to complete the copy operation. The performance of a shadow set during a copy operation is reduced because:

- The shadowing software must follow special protocols for user read and write I/O requests during a copy operation.
- Copy operation I/O requests are large in size and have the same priority as user and application I/O requests.

In addition, other system resources are utilized during a copy operation. Depending on the access path to the individual shadow set members, these resources could include the disk controller, interconnects, interconnect adapters, and systems.

Because you explicitly start copy operations when you mount a new shadow set or add members to an existing set, you can control when the shadowing software performs a copy operation. Therefore, you can minimize the effect on users and applications in the system by limiting the number of copy operations that occur at the same time. For example, when you create new sets or add new members, try to add the sets or members during periods of low system activity, and do not mount several sets at the same time.

You can further minimize the effect on users and applications in the system by using the minicopy operation, introduced with OpenVMS Version 7.3. The minicopy operation can significantly reduce the time it takes to return a shadow set member to shadow set. By the use of write bitmap technology, the minicopy operation copies only the data that was changed while the member was dismounted. For more information, see Chapter 7.

- Merge operations

In contrast to copy operations, merge operations are not under the control of a user or program. The shadowing software automatically initiates a merge operation on a shadow set as a result of the failure of a node on which the shadow set is mounted.

As in the case of a copy operation, the volume shadowing software ensures that all I/O requests to the shadow set follow appropriate protocols to ensure data consistency. However, when a shadow set is undergoing a merge operation, full data availability exists in the sense that individual members of the set are valid data sources and are accessible by applications and users on the system. Therefore, it is not urgent for the shadowing software to finish the merge operation, especially when the system is being heavily used. Because of this major distinction from a copy operation, the shadowing software implicitly places a higher priority on user activity to the shadow set. Volume Shadowing for OpenVMS does this by detecting and evaluating system load, and then dynamically controlling or **throttling** the merge operation so that other I/O activity can proceed without interference.

Because the merge throttle slows merge operations when there is heavy application and user I/O activity on the system, the merge operation can take longer than copy operations. The merge throttle allows application and user activity to continue unimpeded by the merge operation when heavy work loads are detected.

Performance During Copy and Merge Operations

On the other hand, the read performance of a shadow set during a merge operation is reduced because the shadowing software must perform data integrity checks on all members for every read request. The volume shadowing software reads the data from the same LBN on all members of the shadow set, compares the data, and repairs any inconsistencies before returning the read data to the user.

Improving Performance of Unassisted Merge Operations

During an unassisted shadow set merge operation, read I/O performance available to applications is reduced by two factors:

- The need to perform data consistency checks on all read I/Os
- Contention for I/O bandwidth by the shadow set merge operation

The shadow set merge operation employs a throttling mechanism to limit the impact of merge I/O on applications. The merge process is throttled by introducing a delay between merge I/Os when system load is detected. The logic for computing this delay has been redesigned for OpenVMS Alpha Version 7.3-2.

Depending on the requirements of your application load, it may be desirable to minimize the impact of the merge I/O on your applications and allow the merge to take longer to complete; conversely, it may be desirable to make the merge complete quickly and accept the impact on applications. The following two parameters, specified with logical names, allow you to make this tradeoff for all shadow sets on your system:

- SHAD\$MERGE_DELAY_THRESHOLD specifies the threshold I/O time at which the merge process becomes throttled. The threshold is expressed as a multiplier on the "ideal" I/O time measured by the system on the shadow set. The default value of 200 is equivalent to a multiplier of 1. This parameter can be set to values from 0 to 20000.
- SHAD\$MERGE_DELAY_FACTOR specifies the length of the I/O delay. The I/O delay time is computed by subtracting the threshold from the currently observed merge I/O time. The delay factor acts as a divisor to the delay time; the default value of 200 is equivalent to a divisor of 1. This parameter can be set to values from 2 to 100000.

The delay between merge I/O operations is computed as follows:

$$\text{delay-time} = (\text{current I/O time} - \text{ideal I/O time} * \text{MERGE_DELAY_THRESHOLD}/200) * 200/\text{MERGE_DELAY_FACTOR}$$

Increasing either parameter causes merge operations to run faster and place a heavier load on the system; conversely, decreasing them causes merge operations to run more slowly. Setting the parameters to 200 or lower will slow merge operations much more gradually than in previous OpenVMS versions.

In addition to the previous two logical names which specify the parameters for all shadow sets on your system, you can specify parameters for specific shadow sets (designated by "_DSAnnnn" with logical names of the form:

- SHAD\$MERGE_DELAY_THRESHOLD_DSAnnnn
- SHAD\$MERGE_DELAY_FACTOR_DSAnnnn

You can use the same ranges of values for these parameters that you use for SHAD\$MERGE_DELAY_THRESHOLD and SHAD\$MERGE_DELAY_FACTOR.

The applicable logical names are sampled by the shadow copy server every 1000 I/Os, so that an in-progress copy or merge will respond to a parameter change after a short delay.

Improving Performance for Merge and Copy Operations

There are two types of performance assists: the merge assist and the copy assist. The merge assist improves performance by using information that is maintained in controller-based write logs to merge only the data that is inconsistent across a shadow set. When a merge operation is assisted by the write logs, it is referred to as a **minimerge**. The copy assist reduces system resource usage and copy times by enabling a direct disk-to-disk transfer of data without going through host node memory.

Assisted merge operations are usually too short to be noticeable. Improved performance is also possible during the assisted copy operation because it consumes less CPU and interconnect resources. Although the primary purpose of the performance assists is to reduce the system resources required to perform a copy or merge operation, in some circumstances you may also observe improved read and write I/O performance.

Volume Shadowing for OpenVMS supports both assisted and unassisted shadow sets in the same OpenVMS Cluster configuration. Whenever you create a shadow set, add members to an existing shadow set, or boot a system, the shadowing software reevaluates each device in the changed configuration to determine whether it is capable of supporting either the copy assist or the minimerge. Enhanced performance is possible only as long as all shadow set members are configured on controllers that support performance assist capabilities. If any shadow set member is connected to a controller without these capabilities, the shadowing software disables the performance assist for the shadow set.

When the correct revision levels of software are installed, the copy assist and minimerge are enabled by default, and are fully managed by the shadowing software.

Effects on Performance

The copy assist and minimerge are designed to reduce the time needed to do copy and merge operations. In fact, you may notice significant time reductions on systems that have little or no user I/O occurring during the assisted copy or merge operation. Data availability is also improved because copy operations quickly make data consistent across the shadow set.

Minimerge Performance Improvements

The minimerge feature provides a significant reduction in the time needed to perform merge operations. By using controller-based write logs, it is possible to avoid the total volume scan required by earlier merge algorithms and to merge only those areas of the shadow set where write activity was known to be in progress at the time the node or nodes failed.

Unassisted merge operations often take several hours, depending on user I/O rates. Minimerge operations typically complete in a few minutes and are usually undetectable by users.

The exact time taken to complete a minimerge depends on the amount of outstanding write activity to the shadow set when the merge process is initiated, and on the number of shadow set members undergoing a minimerge simultaneously. Even under the heaviest write activity, a minimerge will complete within several minutes. Additionally, minimerge operations consume minimal compute and I/O bandwidth.

Copy Assist Performance Improvements

Copy times vary according to each configuration and generally take longer on systems supporting user I/O. Performance benefits are achieved when the source and target disks are on different HSJ internal buses.

Guidelines for Managing Shadow Set Performance

Sections “Performance During Steady State” on page 141 and “Performance During Copy and Merge Operations” on page 142 describe the performance impacts on a shadow set in steady state and while a copy or merge operation is in progress. In general, performance during steady state compares with that of a nonshadowed disk. Performance is affected when a copy or a merge operation is in progress to a shadow set. In the case of copy operations, you control when the operations are performed.

However, merge operations are not started because of user or program actions. They are started automatically when a system fails, or when a shadow set on a system with outstanding application write I/O enters mount verification and times out. In this case, the shadowing software reduces the utilization of system resources and the effects on user activity by throttling itself dynamically. Minimerge operations consume few resources and complete rapidly with little or no effect on user activity.

The actual resources that are utilized during a copy or merge operation depend on the access path to the member units of a shadow set, which in turn depends on the way the shadow set is configured. By far, the resources that are consumed most during both operations are the adapter and interconnect I/O bandwidths.

You can control resource utilization by setting the SHADOW_MAX_COPY system parameter to an appropriate value on a system based on the type of system and the adapters on the machine. SHADOW_MAX_COPY is a dynamic system parameter that controls the number of concurrent copy or merge threads that can be active on a single system. If the number of copy threads that start up on a particular system is more than the value of the SHADOW_MAX_COPY parameter on that system, only the number of threads specified by SHADOW_MAX_COPY will be allowed to proceed. The other copy threads are stalled until one of the active copy threads completes.

For example, assume that the SHADOW_MAX_COPY parameter is set to 3. If you mount four shadow sets that all need a copy operation, only three of the copy operations can proceed; the fourth copy operation must wait until one of the first three operations completes. Because copy operations use I/O bandwidth, this parameter provides a way to limit the number of concurrent copy operations and avoid saturating interconnects or adapters in the system. The value of SHADOW_MAX_COPY can range from 0 to 200. The default value is OpenVMS version specific.

Chapter 3 explains how to set the SHADOW_MAX_COPY parameter. Keep in mind that, once you arrive at a good value for the parameter on a node, you should also reflect this change by editing the MODPARAMS.DAT file so that when invoking AUTOGEN, the changed value takes effect.

In addition to setting the SHADOW_MAX_COPY parameter, the following list provides some general guidelines to control resource utilization and the effects on system performance when shadow sets are in transient states.

- Create or add members to shadow sets when your system is lightly loaded.
- The amount of data that a system can transfer during copy operations varies depending on the type of disks, interconnect, controller, the number of units in the shadow set, and the shadow set configuration on the system. For example, approximately 5% to 15% of the Ethernet or CI bandwidth might be consumed for each copy operation (for disks typically configured in CI or Ethernet environments).
- When you create unassisted, three-member shadow sets consisting of one source member and two target devices, add both target devices at the same time in a single mount command rather than in two separate mount commands. Adding all members at once optimizes the copy operations by starting a single copy thread that reads from the source member once, and performs write I/O requests to the target members in parallel.

- For satellite nodes in a mixed-interconnect or local area OpenVMS Cluster system, set the system parameter SHADOW_MAX_COPY to a value of 0 for nodes that do not have local disks as shadow set members.
- Do not use the MOUNT/CLUSTER command to mount every shadow set across the cluster unless all nodes must access the set. Instead, use the MOUNT/SYSTEM command to mount the shadow sets on only those nodes that need to access a particular set. This reduces the chances of a shadow set going into a merge state. Because a shadow set goes into a merge state only when a node that has the set mounted fails, you can reduce the chances of this happening by limiting the number of nodes that mount a shadow set, especially when there is no need for a node to access the shadow sets.
- Because a copy operation can occur only on nodes that have the shadow set mounted, create and mount shadow sets on the nodes that are local (have direct access) to the shadow set members. This allows the copy threads to run on these nodes, resulting in faster copy operations with fewer resources utilized.
- If you have shadow sets configured across nodes that are accessed through the MSCP server, you might need to increase the value of the MSCP_BUFFER system parameter in order to avoid fragmentation of application I/O. Be aware that each shadow set copy or merge operation normally consumes 127 buffers.
- Dual-pathed and dual-ported shadowed disks in a OpenVMS Cluster system can provide additional coverage against the failure of nodes that are directly connected to shadowed disks. This type of configuration provides higher data availability with reasonable performance characteristics.
- Use the preferred path option to ensure dual-ported drives are accessed via the same controller so that the shadowing software will perform assisted copy operations.

Striping (RAID) Implementation

HP RAID Software for OpenVMS provides ways to configure and use disk drives so that they achieve improved I/O performance. RAID (redundant arrays of independent disks) uses striping technology to chunk data and distribute it across multiple drives. RAID software is available in various levels, one of which is volume shadowing. Table 9-1 describes RAID levels.

Table 9-1 RAID Levels

RAID Level	Description
Level 0	Striping with no redundancy.
Level 1	Shadowing.
Levels 0 + 1	Striping and shadowing together.
Level 3	Striped data with dedicated parity drive. Drives are rotationally synchronized.
Level 5	Striped data and parity.
Level 6	Striped data and parity with two parity drives.

Shadowing striped drives can increase both performance and availability, because you can achieve faster response time with striping and data redundancy with shadowing. In addition to shadowing striped sets, you can also stripe shadow sets. Each strategy offers different advantages and tradeoffs in terms of availability, performance, and cost.

Performance Information for Volume Shadowing
Striping (RAID) Implementation

For the latest information about HP RAID Software for OpenVMS, refer to the following web page:

<http://www.hp.com/go/openvms/products>

A Messages

This appendix lists volume shadowing status messages that are displayed on the console device. For other system messages that are related to volume shadowing, use the Help Message utility. For information about the HELP/MESSAGE command and qualifiers, see DCL help (type HELP HELP/MESSAGE at the DCL prompt). Messages that can occur before a system is fully functional are also included in OpenVMS System Messages: Companion Guide for Help Message Users.

Mount Verification Messages

The following mount verification messages have approximately the same meaning for shadow sets as they do for regular disks. They are sent to the system console (OPA0) and to any operator terminals that are enabled to receive disk operator messages.

- *virtual-unit*: is off line. Mount verification in progress.
- *virtual-unit*: has completed mount verification.
- *virtual-unit*: has aborted mount verification.

OPCOM Message

The following OPCOM message is returned in response to shadow set operations. This message results when the shadowing code detects that the boot device is no longer in the system disk shadow set. If the boot device is not added back into the system disk shadow set, the system may not reboot, and the dump may be lost if the system crashes.

virtual-unit: does not contain the member named to VMB. System may not reboot.

Explanation: This message can occur for the following reasons:

- The boot device is dismounted or failed out of the system disk shadow set.
- Shadowing finds the boot device missing from the system disk shadow set membership during any dismount operations on the system disk.

User Action: Do one of the following:

- Mount the boot device back into the shadow set as soon as possible.
- If you cannot mount the boot device back into the shadow set, change the device name in VMB (primary bootstrap) so the system can reboot when necessary.

Shadow Server Messages

Shadow server operations can display the following status messages on the system console (OPA0) and on terminals enabled to receive operator messages.

Shadow server messages are always informational messages and include the prefix %SHADOW_SERVER-I-SSRV*message-abbreviation*. The following example includes the OPCOM banner and the shadow server message to illustrate what the messages look like when they are output to the console:

```
%%%%%%%%%% OPCOM 24-MAR-1990 15:01:30.99 %%%%%%%%%%%
  (from node SYSTMX at 24-MAR-1990 15:01:31.36)
Message from user SYSTEM on SYSTMX
%SHADOW_SERVER-I-SSRVINICOMP, shadow server has completed initialization.
```

The following messages are returned by the shadow server in response to shadow set operations. Several of the messages refer to a **copy thread number**; this is a unique identifier denoting a copy or merge operation. The messages in this section are listed in alphabetical order by message abbreviation. For simplicity, the messages shown here do not include the SHADOW_SERVER-I- prefix.

```
SSRVCMPFCPY, completing copy operation on device _virtual-unit: at LBN: LBN-location, ID
number: copy-thread-number
```

Explanation: The copy operation has completed.

User Action: None.

```
SSRVCMPMRG, completing merge operation on device _virtual-unit: at LBN: LBN-location, ID
number: copy-thread-number
```

Explanation: The merge operation has completed.

User Action: None.

```
SSRVCOMPLYFAIL, still out of compliance for per-disk license units, new shadow members may
be immediately removed
```

Explanation: The number of shadow set members on the node has exceeded the number of VOLSHAD-DISK license units for more than 60 minutes. Attempts to bring the node into compliance by removing unlicensed members from their shadow sets have failed. If any new members are mounted, they might be removed immediately.

User Action: Ensure that the number of VOLSHAD-DISK license units on each node is equal to the number of shadow set members mounted on that node. If necessary, dismount shadow set members until the number of mounted members equals the number of VOLSHAD-DISK license units loaded on the node. If you need more VOLSHAD-DISK license PAKs, contact a Digital support representative.

```
SSRVINICOMP, shadow server has completed initialization
```

Explanation: The shadow server has been initialized at boot time.

User Action: None.

```
SSRVINICPY, initiating copy operation on device _virtual-unit: at LBN: LBN-location, I/O
Size: number-of-blocks blocks, ID number: copy-thread-number
```

Explanation: A copy operation is beginning on the shadow set whose virtual unit number is listed in the message.

User Action: None.

SSRVINIMRG, initiating merge operation on device *_virtual-unit:* at LBN *logical-block-number*, I/O Size: *number-of-blocks* blocks, ID number: *copy-thread-number*

Explanation: A merge operation is beginning on the shadow set. The merge can occur after a copy operation has completed.

User Action: None.)

SSRVINIMRG, initiating minimerge operation on device *_virtual-unit:* at LBN *LBN-location*, I/O size: *number-of-blocks* blocks, ID number: *copy-thread-number*

Explanation: A shadowing minimerge is beginning on the device indicated. The message identifies the minimerge with the name of the shadow set virtual unit, and the LBN location of the minimerge, the size of the I/O request (in blocks), and the ID number of the copy thread. For example:

```
%SHADOW_SERVER-I-SSRVINIMRG, initiating minimerge operation on device _DSA2: at LBN 0, I/O
size: 105 blocks, ID number: 33555161
```

User Action: None.

SSRVINSUFDDL, insufficient per-disk license units loaded,
shadow set member(s) will be removed in
number minutes

Explanation: The number of shadow set members mounted exceeds the number of VOLSHAD-DISK license units loaded on the node. If this condition is not corrected before the number of minutes displayed in this message has elapsed, Volume Shadowing will remove unlicensed members from shadow sets in an attempt to make the node compliant with the number of loaded VOLSHAD-DISK license units.

User Action: Dismount shadow set members until the number of mounted members is equal to the number of VOLSHAD-DISK license units on the node.

SSRVNORMAL, successful completion of operation
on device *_virtual-unit:* at LBN *LBN-location*,
ID number: *copy-thread-number*

Explanation: The copy or merge operation has completed.

User Action: None.

SSRVRESCPY, resuming copy operation
on device *_virtual-unit:* at LBN: *logical-block-number*
I/O size: *number-of-blocks* blocks, ID number: *copy-thread-number*

Explanation: A copy operation is resuming. The message identifies the copy with a unique sequence number, the name of the shadow set virtual unit, the LBN location of the copy, and the size of the I/O request (in blocks). For example:

```
%SHADOW_SERVER-I-SSRVRESFCPY, resuming Full-Copy copy sequence number
16777837 on device _DSA101:, at LBN 208314 I/O size: 71 blocks
```

User Action: None.

SSRVSPNDCPY, suspending operation on device *_virtual-unit:* at LBN: *logical-block-number*,
ID number: *copy-thread-number*

Explanation: A copy operation is being interrupted before it completes. (If a crash occurs during a copy operation, a minimerge assist can interrupt the copy operation to resolve inconsistencies. The shadowing software can resume the copy operation when the minimerge completes.) The following message identifies the copy operation with the name of the shadow set virtual unit, the LBN location of the copy, and a unique ID number.

VOLPROC Messages

%SHADOW_SERVER-I-SSRVSPNDCPY, suspending operation on device *_DSA101:.* at LBN: 208314, ID number: 16777837

User Action: None.

SSRVSPNDMMRG, suspending minimerge operation on device *_virtual-unit:* at LBN: *logical-block-number* ID number: *copy-thread-number*

Explanation: A minimerge is interrupted before it completes. The message identifies the minimerge with the name of the shadow set virtual unit, the LBN location of the minimerge, and a unique ID number. For example:

%SHADOW_SERVER-I-SSRVSPNDMMRG, suspending minimerge operation on device *_DSA101:.* at LBN: 3907911, ID number: 16777837

User Action: None.

SSRVSPNDMRG, suspending merge operation on device *_virtual-unit:* at LBN: *LBN-location*, ID number: *copy-thread-number*

Explanation: A merge operation has been suspended while the shadow set undergoes a copy operation.

User Action: None.

SSRVTRMSTS, reason for termination of operation on device: *_virtual-unit:*, abort status

Explanation: This message always accompanies the SSRVTERM message to provide further information about the copy termination.

User Action: Possible actions vary depending on the reason for the error. You might need to check and repair hardware or restart the copy operation.

SSRVTERMCPY, terminating operation on device: *_virtual-unit:*, ID number: *copy-thread-number*

Explanation: The copy thread is aborting. See the accompanying SSRVTRMSTS message for more information.

User Action: None.

SSRVTERMMRG, terminating operation on device: *_virtual-unit:*, ID number: *copy-thread-number*

Explanation: The merge thread is aborting. See the accompanying SSRVTRMSTS message for more information.

User Action: None.

SSRVTERMMMGRG, terminating operation on device: *_virtual-unit:*, ID number: *copy-thread-number*

Explanation: The minimerge thread is aborting. See the accompanying SSRVTRMSTS message for more information.

User Action: None.

VOLPROC Messages

Shadowing operations can display the following status messages on the system console (OPA0) and on terminals enabled to receive disk operator messages.

Shadowing messages always include the prefix %SHADOW-I-VOLPROC and can sometimes be followed by "Volume Processing in Progress." The messages are displayed in the following format:

%SHADOW-I-VOLPROC, *message-text*

- The %SHADOW prefix indicates that the shadowing software is the facility that produced the error.
- I is a one-letter code indicating the status or the severity of the error. The VOLPROC messages are always informational (I) errors.
- VOLPROC is an abbreviation for the volume-processing facility.
- The variable *message-text* is the description of the status message. For most volume-processing errors, the text includes the virtual unit number or member unit number of the disk or device causing the error.

The following example shows a complete volume-processing status message:

```
%SHADOW-I-VOLPROC, DSA13: shadow set has changed state. Volume processing
                        in progress.
```

The following messages are returned by the VOLPROC in response to shadow set operations. The messages in this section are listed in alphabetical order beginning with the first word after the shadow set member name or the virtual unit name. For simplicity, the messages do not include the %SHADOW-I-VOLPROC prefix.

shadow-set-member: contains the wrong volume.

Explanation: The shadowing software discovered a volume label mismatch after failover.

User Action: Check the disk drives and unit numbers.

shadow-set-member: has aborted volume processing.

Explanation: The shadow set is dissolved. A shadow set member was not restored to operational status before the MVTIMEOUT system parameter setting expires; thus, the mount operation aborts for the shadow set.

User Action: Check error logs and the shadow set membership; the disk or controller might need repair.

shadow-set-member: has been write-locked.

Explanation: The data on the disk is protected against write I/O operations.

User Action: Remove the write lock on the volume.

shadow-set-member: has completed volume processing.

Explanation: The shadow set state change is complete.

User Action: Check the shadow set membership; the disk or controller might need repair.

shadow-set-member: is offline.

Explanation: A shadow set member is off line. The shadowing software attempts to fail over.

User Action: None.

shadow-set-member: shadow copy has been completed.

Explanation: A shadow copy operation has completed.

User Action: None.

shadow-set-member: shadow set has been reduced.

Explanation: The specified shadow set member has been removed.

VOLPROC Messages

User Action: If the member failed out of the set (not dismounted), look for the cause of the failure and repair it.

virtual-unit: all shadow set copy operations are completed.

Explanation: All pending shadow set copy operations have completed. The same logical block on any shadow set member contains the same data.

User Action: None.

virtual-unit: shadow copy has been started.

Explanation: Indicates the start of a shadow copy operation.

User Action: None.

virtual-unit: shadow master has changed. Dump file will be written if system crashes. Volume Processing in progress.

Explanation: The shadowing software has determined a new master disk for the system disk shadow set. You can write a dump file for this system only if the master is the same disk as the one the system booted from. This is because the boot drivers are not connected with the shadow driver, and different boot drivers from the ones that interact with the booted system disk might be needed to interact with the new master disk. For example, a system disk could be served and also locally connected, causing the served path to use different drivers from the local path.

User Action: None.

virtual-unit: shadow master has changed. Dump file will not be written if the system crashes. Volume processing in progress.

Explanation: Indicates that the disk from which you booted is no longer in the shadow set. If a system failure occurs, a dump file cannot be written to the removed disk.

User Action: Return the disk to the shadow set.

virtual-unit: shadow set has changed state. Volume processing in progress.

Explanation: The state of the shadow set is in transition. The membership of the shadow set is changing because of either the addition or removal of members from the shadow set, or failover to another device after a hardware error. Further messages give details if a change occurs.

User Action: None.

Glossary

An alphabetical list of terms used in this manual, with their definitions, follows.

assisted copy An assisted copy is a copy operation performed within an HSC or HSJ controller in the configuration. The assisted copy does not transfer data through the host node memory. Because the data transfer is from disk to disk, the assisted copy decreases the impact on the system, the I/O bandwidth consumption, and the time required for copy operations. The shadowing software controls the copy operation by using special MSCP copy commands called disk copy data (DCD) commands to instruct the controller to copy specific ranges of logical blocks. For an assisted copy, only one disk can be an active target for a copy at a time.

copy A copy operation, in the context of Volume Shadowing for OpenVMS, is the process of duplicating the contents of one device onto a second device.

copy fence A copy fence is a logical boundary between the blocks that have been copied and those that remain to be copied. A copy fence advances with the completion of each copy operation.

DCD The acronym for disk copy data, the name of some specialized MSCP commands. The DCD commands are invoked by shadowing software to control assisted copy operations between disks connected to an HSJ controller.

device Hardware that allows access to storage media; also called drive.

device driver A software component of the operating system that allows the host computer to communicate with the controller of a device. A device driver exists on the host computer for every peripheral device to which it is attached.

disk Physical media on which files reside.

dissolve The act of removing a shadow set from a configuration by removing the virtual unit.

drive Hardware that allows access to storage media; also called device.

generation number A generation number is the time stamp assigned to all members of a shadow set by the shadowing software, which the shadowing software uses to track changes in the composition of the shadow set. If a member is removed from a shadow set, the shadowing software updates the generation number of the remaining members..

local write bitmap A local write bitmap is a bitmap that is created when you mount or dismount a minicopy-enabled shadow set. A local write bitmap communicates with the master write bitmap to ensure that the master write bitmap has a record of all changed blocks. See also **write bitmap** and **master write bitmap**.

logical block Organizational unit of volume space.

logical block number (LBN) A number that identifies a block on a volume. Logical block numbering begins with the first byte in the volume space and continues in a sequentially ascending order through the remainder of the volume space.

master write bitmap A master write bitmap is created on the first OpenVMS Alpha system that mounts the shadow set. It contains a record of all blocks that have been changed on a shadow set. See also local write bitmap and write bitmap.

merge A merge operation is an operation to resolve any data inconsistencies between members of a shadow set that could occur when a system fails. A merge operation is declared by the shadowing software for all shadow sets that were mounted on a system that failed.

merge fence A merge fence is a logical boundary between the blocks that have been compared and those that remain to be compared. A merge fence advances with the completion of each comparison.

minicopy A minicopy operation is similar to a copy operation, as defined in the context of Volume Shadowing for OpenVMS, except that it copies only the changed blocks. Therefore, the time to perform a minicopy is proportional to the amount of changed blocks on the device. A minicopy operation relies on the existence of a write bitmap for the shadow set.

minimerge A minimerge operation is similar to a merge operation but faster and requires an HSC or HSJ controller in the configuration. The shadowing software uses a controller-based write log, which shows exactly which blocks had write I/O requests and data security erases (DSEs) outstanding. Only these blocks are made identical.

shadow set A shadow set consists of up to three devices that are logically bound together by Volume Shadowing for OpenVMS software. The shadow set members are assigned the same virtual unit number, which is stored in the device's storage control block (SCB).

shadow set member A shadow set member is a device that has been logically bound with other devices into a shadow set.

source device The device whose contents are copied to a target device.

System Communications Services (SCS) In an OpenVMS Cluster environment, software that implements intercomputer communication, according to the System Communications Architecture (SCA).

target The device to which the contents of a shadow set member is being copied. When the copy is complete, the target is a member of the shadow set.

virtual unit A shadow set is represented as a single virtual device, called a virtual unit. A virtual unit is identified by its name DSA_n, where n can be any number between 0 and 9999.

volume Disk or tape media that has been prepared for use by creating a new file structure on it and mounting it on a device.

volume set A collection of disk volumes bound into a single entity by the DCL command MOUNT/BIND. To users, a volume set looks like a single, large volume. Also, the volumes on which a set of multivolume files is recorded.

write bitmap A write bitmap is a data structure in memory that tracks the addresses of all write operations and all data security erase (DSE) operations. See also master write bitmap and local write bitmap.

Symbols

/ABORT_VIRTUAL_UNIT qualifier, 61
 /CLUSTER qualifier, 56
 mounting a shadow set clusterwide, 55
 /COPY qualifier, 58
 /INCLUDE qualifier, 59
 /NOMOUNT_VERIFICATION qualifier, 55
 /OVERRIDE≠IDENTIFICATION qualifier, 55
 /OVERRIDE≠SHADOW_MEMBERSHIP qualifier,
 60
 /POLICY≠MINICOPY (≠OPTIONAL) qualifier, 73
 /SHADOW qualifier, 49, 50
 /SITE qualifier, 64, 71
 /SYSTEM qualifier
 mounting shadow sets for systemwide access, 55
 /POLICY≠MINICOPY, 54

A

Addressing data
 recovery from errors, 26
 ALLOCATE command, 49
 Allocation classes
 naming format, 50
 nonzero, 50
 ALLOCLASS parameter, 38
 ANALYZE/DISK/SHADOW command, 80
 ATM, 23
 AUTOGEN utility
 using with MODPARAMS.DAT file, 42
 Availability
 achieved by shadow set configurations, 25
 levels, 25
 of data, 15
 performance impacts, 141
 recovery from failures, 26
 with write I/O requests, 15

B

Backup operations, 133
 data consistency requirements, 124
 database systems, 125
 guidelines for using shadow set member, 123
 host-based RAID, 126
 mapped files, 125
 multiple shadow sets, 126
 OpenVMS Cluster operations, 126
 OpenVMS file system, 126
 restoring data, 126
 revalidation of data consistency methods, 127
 RMS considerations, 124
 shadow copy as, 135
 testing, 126
 using Backup utility, 135
 virtual cache, 126
 XFC, 126
 Backup utility (BACKUP)
 /IMAGE qualifier, 136
 revision number, 102
 standalone
 restrictions, 134

Booting

 satellite boot devices, 47
 satellite nodes, 44
 system disk shadow set, 43

C

CI (computer interconnect)
 and MSCP server access to shadow sets, 23
 preventing resource saturation, 143
 utilized for copy operations, 143
 Cluster systems
 See OpenVMS Cluster systems
 CLUSTER_CONFIG.COM command procedure
 setting shadowing parameters, 45
 CLUSTER_CONFIG_LAN.COM command
 procedure
 setting shadowing parameters, 45
 Compatibility
 shadow set members, 19
 Configuration of a shadow set
 effect on availability, 25
 examples, 28
 high-availability local area cluster, 30
 maximum shadow sets, 20
 one system with one adapter, 28
 one system with two host-based adapters, 29
 OpenVMS Cluster with dual adapters, 29
 Consistency
 data, 101
 ensuring during failures, 28
 when adding shadow set members, 57
 Controller errors
 recovery from, 27
 Controllers
 performing DCD commands, 104
 setting preferred path, 105
 supporting performance assists, 145
 using performance assists, 145
 write log entries, 107
 Copy operations
 adding a member, 111
 after a system failure, 109
 assisted, 104
 controllers supporting, 145
 disabling on HSC controller, 104, 108
 overview, 145
 performance, 145
 setting preferred path, 105
 BACKUP revision number, 102
 comparison with minicopy, 114
 controlling with the SHADOW_MAX_COPY
 parameter, 39
 example, 111
 managing, 67
 multiple simultaneous, 39
 no copy, 112
 performance of minicopy versus DCD copy, 115
 proper dismount, 102
 purpose, 103

Index

- recovery from system failures, 109
- transitions in shadow set membership, 109
- unassisted, 104
- volume label, 102
- volume shadowing generation number, 102
- with merge operation, 112

- Copy threads
 - controlling dynamically, 143
 - controlling with the SHADOW_MAX_COPY parameter, 146
 - referred to in status messages, 150

- Crash dumps
 - shadowed system disk and minicopy, 21
 - written to system disk shadow set, 138

D

- Data
 - changing on individual members, 132
- Data availability. See Availability
- Data consistency, 101
 - when adding shadow set members, 57
- Data errors
 - recovery from, 27
- DCD (disk copy data) commands, 104
- DDS. See Dissimilar device shadowing
- DECnet databases
 - example of a satellite node, 45
- Devices
 - allocating, 49
 - DECram served device, 60
 - recovery from controller errors, 27
 - recovery from data errors, 27
 - recovery from errors, 27
 - recovery from failures, 27
 - recovery from unit or drive errors, 27
 - SCSI support, 18
 - supported, 18
 - unsupported, 20
- Digital Storage Architecture (DSA) disk drives, 18
- Disaster tolerant OpenVMS Cluster systems. See OpenVMS Cluster systems
- Disk mirroring, 15
- Disk volumes
 - initializing, 35
- Disks
 - compatibility to form a shadow set, 19
 - in Files-11 structure, 20
 - initializing, 35
 - SCSI support, 20
- DISMOUNT command
 - /POLICY=MINICOPY, 117
 - creating a write bitmap, 119
 - removing a shadow set member, 73
 - required privileges, 73
- DISMOUNT/FORCE_REMOVAL command, 73
- Dismounting a shadow set
 - overview, 74
 - with SYS\$DISMOU system service, 94
- Dismounting a shadow set member, 73
- Displaying shadow set information, 75

- Dissimilar device shadowing (DDS), 19
- Dissolving a shadow set
 - with SYS\$DISMOU system service, 94
- Distributing members of shadow sets, 20
- Distributing shadow sets, 23
- DOSD (dump off system disk), 138
 - use of DUMPSTYLE, 40
- Drive errors
 - recovery from, 27
- DSA (Digital Storage Architecture)
 - naming the virtual unit, 49
 - support for compliant hardware, 20
- DSSI (Digital Storage Systems Interconnect)
 - and MSCP server access to shadow sets, 23
- DUMPSTYLE system parameter, 138
- DVE. See Dynamic volume expansion
- Dynamic volume expansion, 22
- Dynamic volume expansion (DVE), 19

E

- Error messages, 149
 - mount verification, 149
 - OPCOM, 149
 - shadow server, 150
 - system service, 96
 - VOLPROC, 152
- Errors
 - recovery from, 26
- Ethernet
 - and MSCP server access to shadow sets, 23
 - Gigabit Ethernet usage, 23
 - preventing resource saturation, 143
 - utilized for copy operations, 143

F

- F\$GETDVI lexical function, 85
- Failures. See Recoveries
- FDDI (Fiber Distributed Data Interface)
 - massively distributed shadowing, 23
- Files-11 volume structure
 - shadowing support, 20
- Forced errors
 - checking the SCSI NOFE characteristics, 84

G

- Generation number
 - copy operation, 102
- GRPNAM privilege
 - DISMOUNT command, 73
 - required for MOUNT command, 55

H

- Hardware environment, 18
- Host-based adapter (HBA), 28
- HSC (hierarchical storage controller)
 - disabling performance assists, 108

I

- INITIALIZE command

- /ERASE qualifier, 50
- /SHADOW qualifier, 50
- INITIALIZE/LIMIT command, 22
- INITIALIZE/SHADOW/ERASE command, 50
- Initializing
 - disk volumes, 35
- Installations
 - Volume Shadowing for OpenVMS, 24
- Installations See also See also License registrations, 36
- Item codes
 - for creating and mounting a shadow set, 89
 - for creating and mounting a volume set, 92
 - to add to a shadow set, 90
 - with SYS\$GETDVI system service, 97
 - with SYS\$MOUNT system service, 90
- L**
- LANCP databases
 - example of a satellite node, 45
- License registrations
 - capacity, 36
 - per disk, 36
 - volume shadowing, 36
- LOG IO privilege
 - DISMOUNT/POLICY command, 73
 - MOUNT/POLICY command, 52
- M**
- Mass storage control protocol See also See MSCP, 23
- Member units
 - backing up, 133, 134
 - crash dumping to system disk, 138
 - mounting, 49
 - requirement for nonzero allocation class, 50
- Members
 - adding, 57
 - initializing, 35
- Membership
 - adding a new disk, 57
 - data consistency, 101
 - during steady state, 109
 - transitions during copy operations, 109
 - transitions during merge operations, 110
 - transitions during minimerge operations, 110
- Merge operations
 - after a system failure, 109
 - assisted
 - performance, 106
 - automatic throttling, 143
 - controlling with the SHADOW_MAX_COPY parameter, 39
 - example, 112
 - improving performance, 144
 - managing, 67
 - multiple simultaneous, 39
 - preventing unnecessary, 74
 - throttling, 144
 - transitions in shadow set membership, 110
 - unassisted, 106
- Messages, 149
 - displayed for unregistered nodes, 36
 - mount verification, 149
 - OPCOM, 149
 - shadow server, 150
 - system service, 96
 - VOLPROC, 152
- Minicopy operations
 - definition, 113
 - getting a dump file, 21
 - performance, 116
 - purpose, 115
 - required steps, 117
 - restrictions, 117
 - starting, 119
- Minimerge operations
 - actions during system failure, 110
 - after a system failure, 109, 138
 - configuring for system disk, 138
 - controllers supporting, 145
 - disabling, 107
 - disabling on HSC controller, 108
 - enabling, 40
 - overview, 145
 - performance, 106, 145
 - write log entries, 107
- Mirroring
 - disks, 15
- MODPARAMS.DAT file
 - editing in an OpenVMS Cluster, 42
 - example, 42
 - setting parameters in, 42
- MOUNT command, 49
 - /CLUSTER qualifier, 45, 55, 56
 - /COPY qualifier, 58
 - /INCLUDE qualifier, 59
 - /NOASSIST qualifier, 53
 - /NOMOUNT_VERIFICATION qualifier, 55
 - /OVERRIDE=IDENTIFICATION qualifier, 55
 - /OVERRIDE=SHADOW_MEMBERSHIP qualifier, 60
 - /POLICY=MINICOPY, 113, 117, 119
 - /SYSTEM qualifier, 55
 - adding shadow set members, 57
 - creating a write bitmap, 119
 - format, 49
 - POLICY qualifier, 53
 - qualifiers, 52, 53, 55
 - reconstructing shadow sets with /INCLUDE, 59
 - required privileges, 52, 55
 - starting a write bitmap, 117
- Mount verification
 - messages, 149
- Mounting
 - devices, 49
 - shadow sets, 55
 - virtual units, 49
 - volume sets, 92

Index

MSCP (mass storage control protocol)

DCD commands, 104

server, 23

supported devices, 18

MVTIMEOUT parameter, 28

N

Naming conventions

devices, 50

shadow sets, 49

virtual units, 49

NOFE (no forced error bit), 84

O

OPCOM (Operator Communication Manager)

messages, 149

OpenVMS Cluster systems

computer interconnects, 23

disaster-tolerant clusters

managing shadow set members, 60

enhanced shadowing performance, 145

interprocess communication, 23

maximum number of shadow sets, 20

mounting shadow sets, 45, 55

MSCP server access, 23

multiple-site clusters

shadowing across, 60

providing high data availability, 25

requirement for nonzero allocation class, 50

shadowing across, 23

updating system parameters, 42

OPER privilege

MOUNT command, 52

P

PAKs (Product Authorization Keys)

registering, 36

Parameters. See System parameters

Performance, 141

assisted copies, 104, 145

assisted merge operations, 106

automatic merge throttle, 144

controlling copy operations with

SHADOW_MAX_COPY, 39

for read I/O requests, 15

merge assists, 145

minimerge, 145

shadow set, 141

steady state, 141

write log entries, 107

Performance assists

copy operation, 145

merge operation, 145

Preferred path

setting for controllers, 105

Privileges

LOG_IO, 52

OPER, 52

SYSNAM, 45, 52

VOLPRO, 52

Product Authorization Keys. See PAKs

Q

qualifier, 54

Quorum disk, 21

R

RAID (redundant arrays of independent disks), 15

levels, 147

Read requests

performance, 15

Recoveries

from controller errors, 27

from data errors, 27

from device failure, 26

from system failures, 109

from unit or drive errors, 27

repair actions, 27

repairing data, 16

S

Satellite nodes, 46

booting shadowed, 44

DECnet database example, 45

LANCP database example, 45

SCBs (storage control blocks)

BACKUP revision number, 102

proper dismount, 102

read at boot time, 43

volume label, 102

volume shadowing generation number, 102

SCSI (Small Computer Systems Interface)

disks that cannot be shadowed, 20

hardware compliance, 18

support for compliant hardware, 20

third-party compliance, 84

SDA. See System Dump Analyzer utility

Servers

MSCP, 23

shadow server messages, 150

SET DEVICE command

qualifiers, 60

SET SHADOW command, 67

SET VOLUME/LIMIT command, 22

SHAD\$MERGE_DELAY_FACTOR_DSAxxxx, 144

SHAD\$MERGE_DELAY_THRESHOLD_DSAxxxx,
144

Shadow servers

messages, 150

Shadow set members

inaccessibility because of failures, 27

modifying individual, 132

naming, 50

transferring changes, 132

Shadow sets

adding members, 57

additional members, 90

backing up, 133

- clusterwide, 55
- components, 15
- configuration examples, 28
- copy operations, 103
- crash dumping to system disk, 21, 138
- creating, 49, 114
 - with SYS\$MOUNT system service, 89, 93
- definition, 15
- dismounting
 - with SYS\$DISMOU system service, 94
- displaying information about, 75
- dissolving, 74
 - with SYS\$DISMOU system service, 94
- distributing, 20
- examining, 75
 - with DCL command SHOW DEVICE, 77
 - with F\$GETDVI lexical function, 85
 - with SDA, 82
- initializing members, 35
- maximum number, 20
- members, 15
- merge throttle, 144
- modifying individual members, 132
- mounting, 89
 - a volume set, 92
 - with SYS\$MOUNT system service, 89, 93
- overview, 15
- quorum disk, 21
- removing members
 - with DISMOUNT command, 73
 - with SYS\$DISMOU system service, 94
- requirements, 49
- satellite node, 44
- standalone BACKUP, 134
- state changes, 101
- steady-state performance, 141
- system disk
 - upgrading, 129
- transferring changes to members, 132
- SHADOW_MAX_COPY parameter, 21, 39
 - guidelines for setting, 146
- SHADOW_MAX_UNIT parameter, 39
- SHADOW_MBR_TMO parameter, 28, 39
- SHADOW_SITE_ID parameter, 37, 65, 71
- SHADOW_SYS_DISK parameter, 40
- SHADOW_SYS_TMO parameter, 41
- SHADOW_SYS_UNIT parameter, 41
- SHADOW_SYS_WAIT parameter, 41
- SHADOWING parameter, 38
- SHOW CLUSTER command
 - displaying write bitmap information, 122
- SHOW DEVICE command
 - displaying write bitmap information, 121
 - during copy operation, 111
 - during merge operation, 112
 - during steady state, 112
 - overview, 75, 76
 - sample sequence, 77
 - shadow set member, 76
 - specifying the virtual unit, 76
- SHOW SHADOW command, 71
- Shutdown procedures
 - creating site-specific, 74
 - preventing unnecessary merge operations on reboot, 74
- Single systems
 - enhanced shadowing performance, 145
- Standalone BACKUP, 134
- Status messages
 - mount verification, 149
 - OPCOM, 149
 - shadow server, 150
 - VOLPROC, 152
- Steady state
 - actions during system failure, 109
 - definition, 101
 - performance, 141
- Storage control blocks See also See SCBs, 43
- Stripe sets
 - shadowed, 22
- Striping
 - and performance, 147
- SYLOGICALS.COM startup file
 - defining site location, 60
- SYS\$DISMOU system service
 - condition values returned by, 96
 - dismounting volumes with, 93
- SYS\$GETDVI system service
 - getting information about volumes with, 96
- SYS\$MOUNT system service
 - condition values returned by, 96
 - item codes, 90
 - mounting volumes, 89, 93
 - shadow set item codes, 90
 - shadowed volume sets, 92
- SYSGEN (System Generation utility) See also See
 - System parameters, 35
- SYSNAM privilege
 - DISMOUNT command, 73
 - MOUNT command, 52
 - required for MOUNT command, 55
- System configurations, 20, 25
 - effect on performance, 141
 - setting up, 35
- System disk shadow sets
 - booting from, 43
 - booting satellite nodes, 44
 - crash dumping to, 21, 138
 - SHADOW_SYS_DISK parameter, 40, 138
 - SHADOW_SYS_TMO parameter, 41
 - SHADOW_SYS_UNIT parameter, 41
 - SHADOW_SYS_WAIT parameter, 41
- System disks
 - crash dumping to, 138
 - dump file restriction, 21
 - shadowing across an OpenVMS Cluster, 21
 - upgrading, 129
- System Dump Analyzer utility (SDA)
 - checking SCSI compliance, 84
 - dumping to a shadowed disk, 138

Index

- dumping to a system disk shadow set, 21
- examining a shadow set, 82
- example, 83
- System management
 - booting a system disk shadow set, 43
 - on systems with volume shadowing, 129
 - setting up a shadowing environment, 35
- System parameters
 - ALLOCLASS, 38
 - displaying current SYSGEN values, 43
 - DUMPSTYLE, 138
 - MVTIMEOUT parameter, 28
 - setting in the MODPARAMS.DAT file, 42
 - SHADOW_MAX_COPY, 21, 39, 146
 - SHADOW_MAX_UNIT, 39
 - SHADOW_MBR_TMO, 28, 39
 - SHADOW_SITE_ID, 37, 65, 71
 - SHADOW_SYS_DISK, 40, 130, 138
 - SHADOW_SYS_TMO, 41
 - SHADOW_SYS_UNIT, 41
 - SHADOW_SYS_WAIT, 41
 - SHADOWING, 38
 - write bitmap, 41
- System services
 - performing shadow set operations, 89

T

- Timeouts
 - disk recovery, 39
- Transient state
 - definition, 101
- Transitions
 - during copy operations, 109
 - during merge operations, 110
 - during minimerge operations, 110
 - in shadow set membership, 109
- Troubleshooting. See Recoveries

U

- UICs (user identification codes)
 - for mounting disks, 52
- Unit errors
 - recovery from, 27
- Upgrades
 - operating system, 129
- User identification codes. See UICs

V

- Virtual units
 - as system disk shadow set, 43
 - clusterwide, 45, 49
 - definition, 15
 - distributed, 24
 - naming conventions, 28
- VOLPRO privilege
 - MOUNT command, 52
- VOLPROC command
 - messages, 152
- Volume labels

- copy operation, 102
- differences among shadow set members, 55
- Volume sets
 - constructing, 96
 - mounting, 92
 - with MNT\$_SHANAM, 91
 - shadowed, 22
 - virtual unit item descriptor, 93
- Volume shadowing
 - disabling, 38
 - enabling, 38

W

- Write bitmaps
 - creating, 119
 - DISMOUNT command, 119
 - MOUNT command, 119
 - displaying, 123
 - displaying IDs, 122
 - local, 120
 - managing with DCL commands, 121
 - master, 113, 120
 - messages
 - managing, 120
 - representation, 113
- Write protection
 - hardware, 20
- Write requests
 - performance, 15