

G

F

E

D

C

B

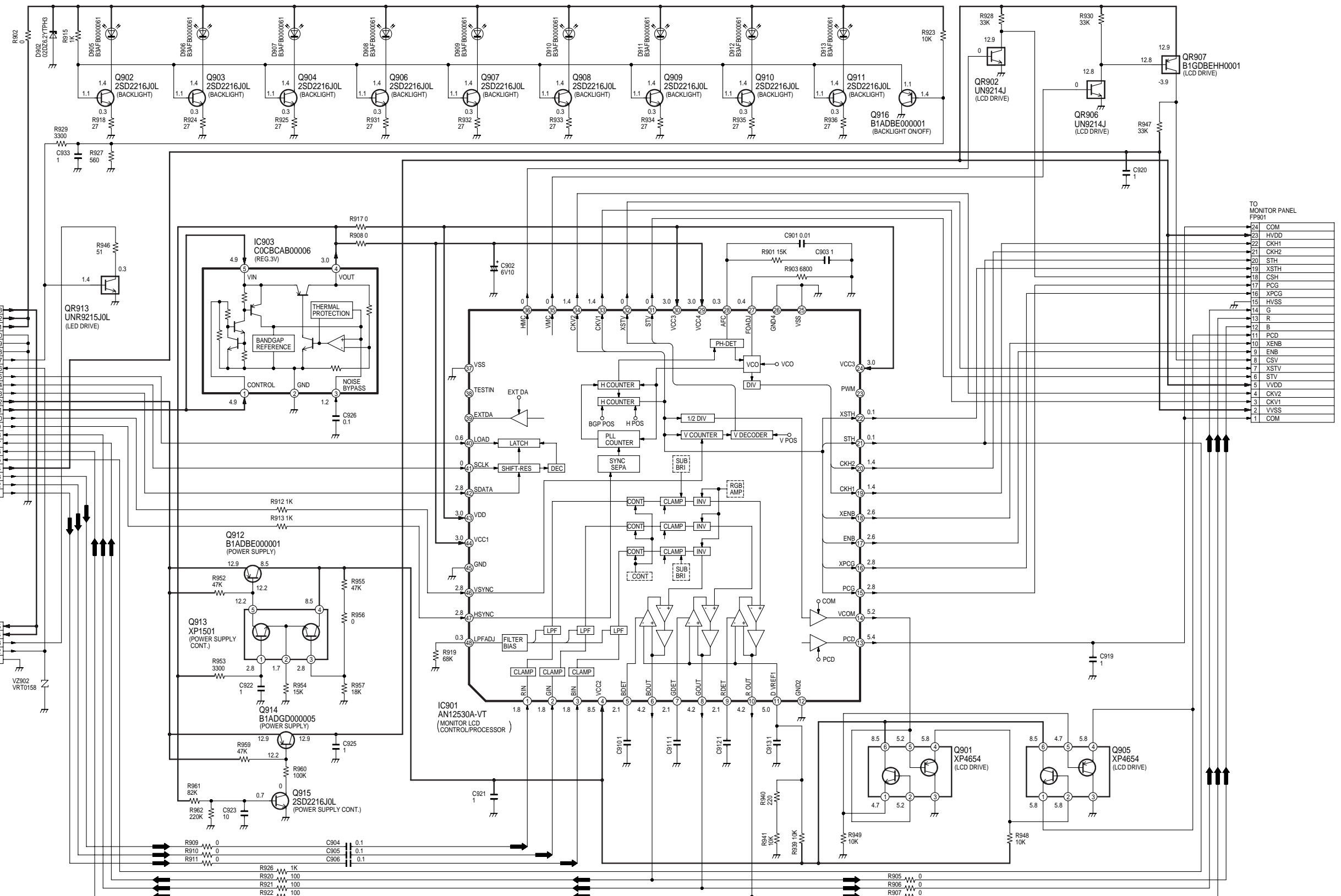
A

TO MAIN CONNECTION
FP902

FP601-3	REG D3V	23
FP601-4,5	M LED 5V	22
FP601-4,5	M LED 5V	21
FP601-6,7	D GND	20
FP601-6,7	D GND	19
FP601-6,7	D GND	18
FP601-8	BL BRIGHT	17
FP601-9	BRIGHT ON	16
FP601-10	LCD CS	15
FP601-11	LCD SCLK	14
FP601-12	LCD SD	13
FP601-13	M 13V	12
FP601-14	M 5V	11
FP601-15	VBLK	10
FP601-16	LCD MD	9
FP601-17	MON M G OUT	8
FP601-18	MON M B OUT	7
FP601-19	MON M R OUT	6
FP601-20	MON M PLL	5
FP601-21	M -4V	4
FP601-22	M R	3
FP601-23	M G	2
FP601-24	M B	1

TO PL FLEX CARD
FP904

REG D3V	5
REG D3V	4
POWER LED	3
BRIGHT ON	2
D GND	1



TO MONITOR PANEL
FP901

24	COM
23	HVDD
22	CKH1
21	CKH2
20	STH
19	XSTH
18	CSH
17	PCG
16	XPCG
15	HVSS
14	G
13	R
12	B
11	PCD
10	XENB
9	ENB
8	CSV
7	XSTV
6	STV
5	VVDD
4	CKV2
3	CKV1
2	VVSS
1	COM

NOTE:
DO NOT USE ANY PART NUMBER SHOWN ON THIS SCHEMATIC
DIAGRAM FOR ORDERING. WHEN YOU ORDER A PART, PLEASE
REFER TO PARTS LIST.

NOTE:
THE MEASUREMENT MODE OF THE DC VOLTAGE ON THIS
DIAGRAM IS STOP MODE. (MONITOR: ON)