

## Check List for the Standard Accessories

### AC Adaptor Set



AC Adaptor



AC Mains Lead  
(VJA0940)



DC Input Lead  
(VJA1088)



Battery Pack  
(VSB0418)



AV Cable  
(K2KC4CB00001)



S-Video Cable  
(VJA1120)



Remote Controller

NV-DS15 ..... VEQ2398  
NV-DS150 ..... VEQ2405



Button-Type Battery (CR2025)



Lens Cap and  
Lens Cap Cord (VYF2700)



Shoulder Strap (VFC3299)



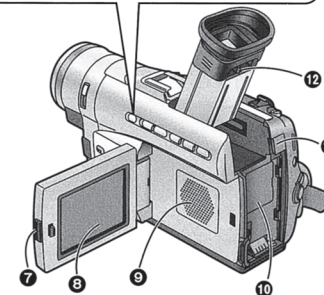
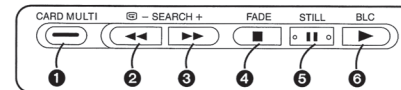
Digital Video Head Cleaner  
(VFK1451)



MultiMediaCard (VW-MMC8E)  
(NV-DS25 only)

## Controls and Functions

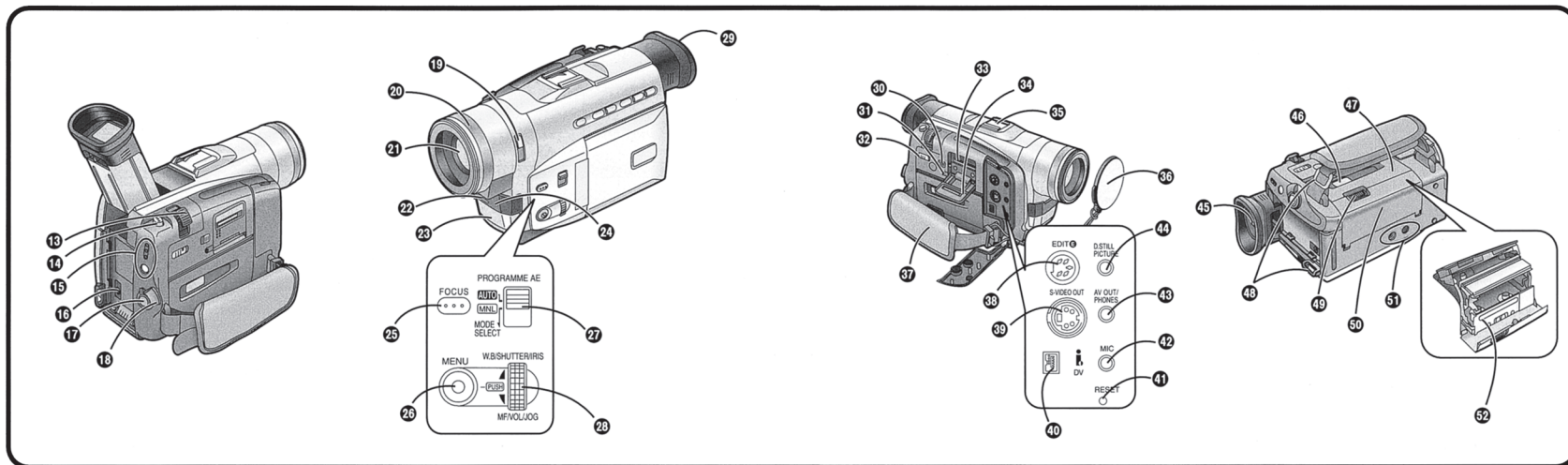
For more details, see the pages indicated in brackets.



- 2 Rewind/Review Button [◀◀]  
Recording Check Button [RECORD]  
Reverse Search Button [−SEARCH]
- 3 Fast Forward/Cue Button [▶▶]  
Forward Search Button [SEARCH+]
- 4 Stop Button [■]  
Fade Button [FADE]
- 5 Pause Button [⏸]  
Still Button [STILL]
- 6 Play Button [▶]  
Backlight Button [BLC]
- 7 LCD Monitor Open Button [▲OPEN]
- 8 LCD Monitor

- 9 Speaker
- 10 Battery Holder
- 11 Battery Eject Button [PUSH]
- 12 Eyepiece Corrector Knob

Due to limitations in LCD production technology, there may be some tiny bright or dark spots on the LCD Monitor screen. However, this is not a malfunction and does not affect the recorded picture.



- 13 Zoom Lever [W/T]
- 14 Photoshot Button [PHOTO SHOT]
- 15 Camera (Recording) Mode/VCR (Playback) Mode Button (and Lamps) [MODE]
- 16 DC Input Socket [DC IN]
- 17 Recording Start/Stop Button
- 18 Movie Camera Off/On Switch [OFF/ON]
- 19 0-Lux Recording Switch [0 LUX OFF/ON]
- 20 Lens Hood
- 21 Lens
- 22 Recording Indicating (Tally) Lamp
- 23 Microphone (built-in, stereo)
- 24 White Balance Sensor  
Remote Control Sensor  
Built-in Infra-red Beam Emitters
- 25 Focus Button [FOCUS]
- 26 Menu Button [MENU]
- 27 Mode Selector Switch [AUTO/MNL/MODE SELECT]
- 28 Multi-Function Dial [PUSH]
- 29 Eyecup

- 35 Accessory Shoe  
To attach the Stereo Zoom Microphone (optional) or the Stereo Microphone (optional).
- 36 Lens Cap
- 37 Grip Belt  
You can adjust the Grip Belt to the size of your hand. When you open or close the Cassette Compartment, push down the buckle of the Grip Belt so that it does not prevent the Cassette Compartment from opening and closing completely.



Pass your hand through the Grip Belt and adjust its length. Fold back the end of the Grip Belt to securely fasten the velcro tape closure.

- 38 Edit Socket [EDIT]
- 39 S-Video Output Socket [S-VIDEO OUT]
- 40 DV Terminal (i.LINK) [i]
- 41 Reset Button [RESET]
- 42 Microphone Socket [MIC]  
To connect an external microphone or audio equipment. (Connecting to this socket deactivates the built-in microphone.)
- 43 Audio-Video Output Socket [AV OUT]  
Headphone Socket [PHONES]  
When a cable is connected to this socket, the Movie Camera's built-in speaker\* is turned off.
- 44 Digital Still Picture Terminal [D.STILL PICTURE]

- 45 Viewfinder  

Due to limitations in LCD production technology, there may be some tiny bright or dark spots on the Viewfinder screen. However, this is not a malfunction and does not affect the recorded picture.
- 46 Cassette Compartment Window
- 47 Upper Cassette Compartment Cover
- 48 Shoulder Strap Holders
- 49 Cassette Eject Lever [OPEN/EJECT]
- 50 Lower Cassette Compartment Cover
- 51 Tripod Receptacle  
To mount the Movie Camera on an optional tripod.
- 52 Cassette Holder