

KENWOOD

GRAPHIC EQUALIZER/AMPLIFIER

KGC-4030

INSTRUCTION MANUAL

Take the time to read through this instruction manual. Familiarity with installation and operation procedures will help you obtain the best performance from your new graphic equalizer.

For your records

Record the serial number, found on the back of the unit, in the spaces designated on the warranty card, and in the space provided below. Refer to the model and serial numbers whenever you call upon your KENWOOD dealer for information or service on this product.

Model KGC-4030 Serial number _____

Care and Maintenance

- The power source of this unit is exclusively DC 12 V, negative ground. If you wish to mount the unit on a vehicle with DC 24 V, please consult your appointed KENWOOD dealer.
- Do not place the graphic equalizer in a place where the graphic equalizer may be exposed to direct sunlight, heat or moisture. Be careful that metal objects and water do not enter the set.
- If you have difficulty in installing the set in your car, please contact your KENWOOD dealer.

Cleaning

Clean with a dry silicone cloth or a soft cloth. The use of thinner, alcohol or other solvents may damage the surface finish.

Controls and indicators

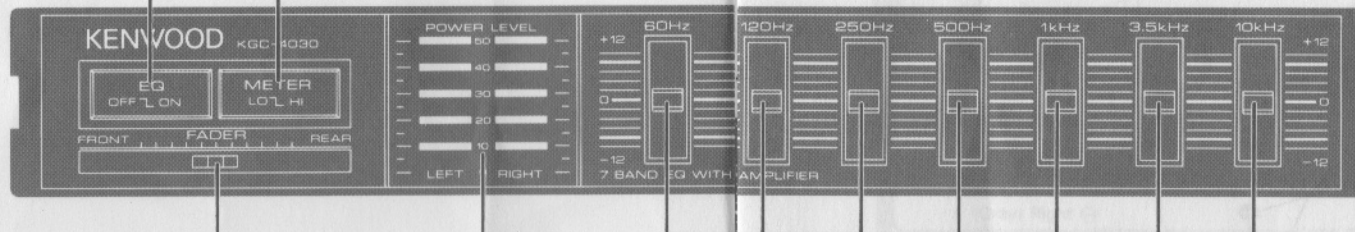
Graphic equalizer switch

With this switch set to ON, the equalizer circuitry is activated. With this switch set to OFF, a flat frequency response is obtained.



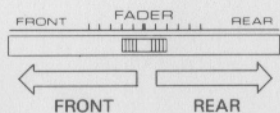
Level meter switch

This switch allows to switch the sensitivity of the level meter to suit the listening volume. Set to "LOW" when listening in large volume and to "HIGH" when listening in small volume.



Fader control

This knob is for balancing the volume of the front and rear.

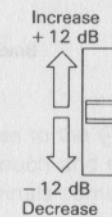


LED level meter

The LED lights up according to the output level.

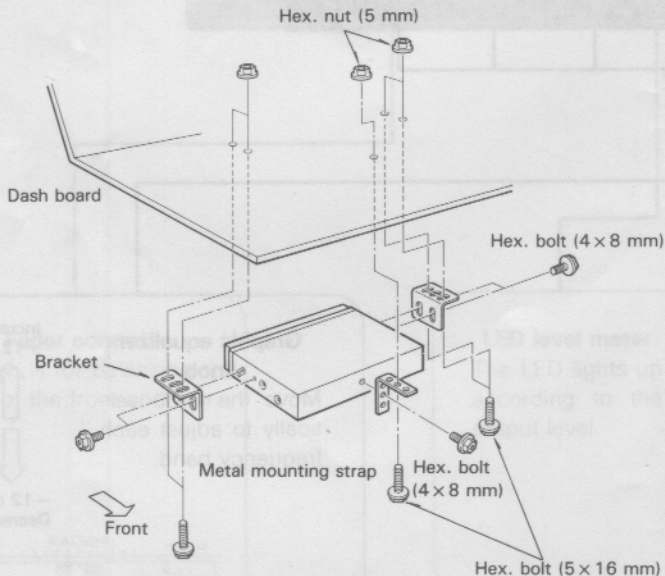
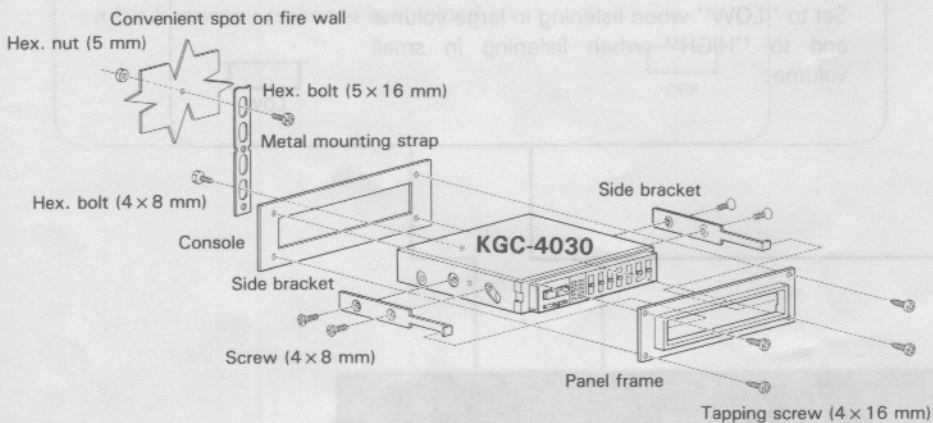
Graphic equalizer knob

Move the knob vertically to adjust each frequency band.

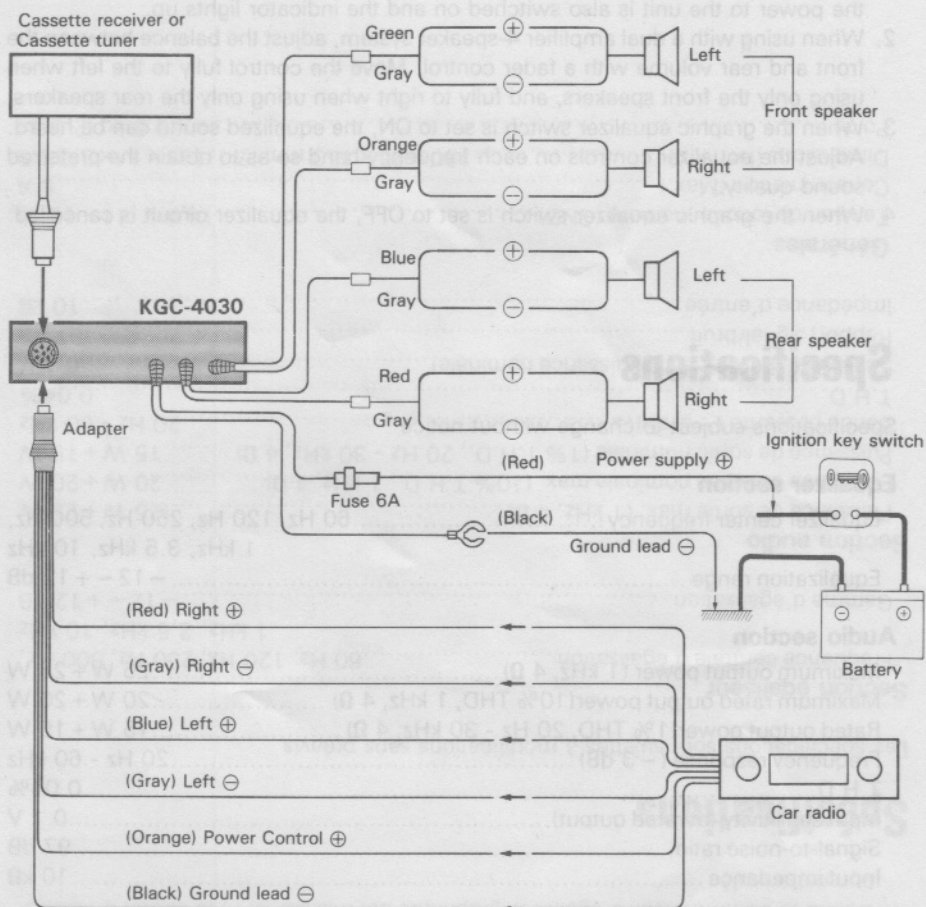


Installation indicators

- When installing in the car, choose the best position with regard to overall safety of the system and ease of operation.
- As installation fixtures, use only the accessories supplied.



Connection



- To connect the unit to the car radio, use the supplied adaptor.
- As the unit uses BTL output, always connect the gray speaker wires to the \ominus terminals of the speaker systems. Never let the gray speaker wires touch and never connect them to the chassis (ground). Do not let the speaker terminals come into contact with the chassis (ground). Insulate any unused output wire with vinyl tape to prevent a short circuit.

Operation

1. When a cassette receiver or cassette tuner connected to the unit is switched ON, the power to the unit is also switched on and the indicator lights up.
2. When using with a dual amplifier 4-speaker system, adjust the balance between the front and rear volume with a fader control. Move the control fully to the left when using only the front speakers, and fully to right when using only the rear speakers.
3. When the graphic equalizer switch is set to ON, the equalized sound can be heard. Adjust the equalizer controls on each frequency band so as to obtain the preferred sound quality.
4. When the graphic equalizer switch is set to OFF, the equalizer circuit is cancelled.

Specifications

Specifications subject to change without notice

Equalizer section

Equalizer center frequency	60 Hz, 120 Hz, 250 Hz, 500 Hz, 1 kHz, 3.5 kHz, 10 kHz
Equalization range	- 12 ~ + 12 dB

Audio section

Maximum output power (1 kHz, 4 Ω)	25 W + 25 W
Maximum rated output power(10% THD, 1 kHz, 4 Ω)	20 W + 20 W
Rated output power(1% THD, 20 Hz - 30 kHz, 4 Ω)	15 W + 15 W
Frequency response (- 3 dB)	20 Hz - 60 kHz
T.H.D.	0.04%
Input sensitivity (at rated output)	0.1 V
Signal-to-noise ratio	97 dB
Input impedance	10 k Ω

General

Operating voltage (GND)	14.4 V (11 - 16 V)
Current consumption (Max.)	5 A
Dimensions (W x H x D)	180 x 25 x 150 mm (7-1/16" x 1" x 5-7/8")
Weight	0.9 kg (2.0 lb)