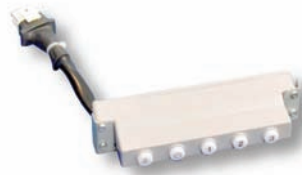




Technical Education

Range Hoods

- Removing Control Switches
- Removing Blower Motor
- Wiring Diagrams



**KitchenAid
Jenn-Air
Whirlpool**

Prepared by: WHIRLPOOL CONSUMER CARE

FORWARD

This Range Hood Controls and Motor Access Guide (W10403806), provides the In-Home Service Professional with information on how to access the control switch(es) and exhaust motor on range hoods. For specific information on the model being serviced, refer to the information supplied with the range hood. Always use the Tech Sheet supplied with the product when servicing the range hood.

GOALS AND OBJECTIVES

The goal of this Job Aid is to provide information that will enable the In-Home Service Professional to properly gain access to the control switch(es) and exhaust motor of range hoods.

The objectives of this Job Aid are to:

- Understand and follow proper safety precautions.
- Successfully access control or motor components that require repair or replacement.
- Successfully return the range hood to its proper operational status.

WHIRLPOOL CORPORATION assumes no responsibility for any repairs made on our products by anyone other than authorized In-Home Service Professionals.

CONTENTS

Page

GOALS AND OBJECTIVES	i
SAFETY FIRST	iii
RANGE HOODS	1
GXW7330DX, GXW7336DX	1
GXW7330DX, GXW7336DX WIRING DIAGRAM	2
JXI5030WS, JXI5036WS	3
JXI5030WS, JXI5036WS WIRING DIAGRAM	5
JXW9030WS, JXW9048WS, JXW9036WS	6
JXW9030WS, JXW9048WS, JXW9036WS WIRING DIAGRAM	7
KXI2536YSS, KXW2530YSS, KXW2548YSS	8
KXI2536YSS WIRING DIAGRAM	10
KXU4236YSS, KXU4230YSS	11
KXU4236YSS, KXU4230YSS WIRING DIAGRAM	13
KXU8030YSS, KXU8036YSS	14
KXU8030YSS, KXU8036YSS WIRING DIAGRAM	16
KXW2336YSS, KXW2330YSS	17
KXW2336YSS, KXW2330YSS WIRING DIAGRAM	19
KXI4336YSS, KXI4342YSS, KXW4336YSS, KXW4330YSS, KXW4436YSS, KXW4430YSS	20
KXI4336YSS, KXI4342YSS, KXW4336YSS, KXW4330YSS, KXW4436YSS, KXW4430YSS WIRING DIAGRAM	22
KXW8730YSS, KXW8736YSS, KXW8748YSS	23
KXW8730YSS, KXW8736YSS, KXW8748YSS WIRING DIAGRAM	24
KXI9736YSS, KXI9748YSS	25
KXI9736YSS, KXI9748YSS WIRING DIAGRAM	26
IN-LINE, INTERNAL AND EXTERNAL BLOWER SYSTEMS	28
INTERNAL BLOWER SYSTEMS	29
UXB0600D, UXB1200D	29
IN-LINE BLOWER SYSTEMS	29
UXI0600D, UXI1200D	31
EXTERNAL BLOWER SYSTEMS	33
KPEU722M, KPEC922M	33
KPEU722M, KPEC922M WIRING DIAGRAM	34
ADDITIONAL RANGE HOOD WIRING DIAGRAMS	35
JXI8042W, JXI8036W, JXI8242W, JXI8236W Jenn-Air	36
JXW5030WS, JXW5036WS Jenn-Air	37
JXW6030W, JXW6036W Jenn-Air	38
JXW8030W, JXW8036W, JXW8042W Jenn-Air	39
JXW8230W, JXW8236W Jenn-Air	40
JXW8836W Jenn-Air	41
JXW9030WS, JXW9036WS, JXW9048WS Jenn-Air	42
KXI9736Y, KXI9748Y	43
KXU2830Y KitchenAid	44
KXI2536Y, KXI2536Y KitchenAid	45
UXL6048YSS, UXL6036YSS	46
UXG7360VD, UVG73660VD	47

SAFETY FIRST

Your safety and the safety of others are very important.

We have provided many important safety messages in this manual and on your appliance. Always read and obey all safety messages.



This is the safety alert symbol.

This symbol alerts you to potential hazards that can kill or hurt you and others.

All safety messages will follow the safety alert symbol and either the word "DANGER" or "WARNING."

These words mean:

⚠ DANGER

You can be killed or seriously injured if you don't immediately follow instructions.

⚠ WARNING

You can be killed or seriously injured if you don't follow instructions.

All safety messages will tell you what the potential hazard is, tell you how to reduce the chance of injury, and tell you what can happen if the instructions are not followed.

NOTICE TO THE TECHNICIAN

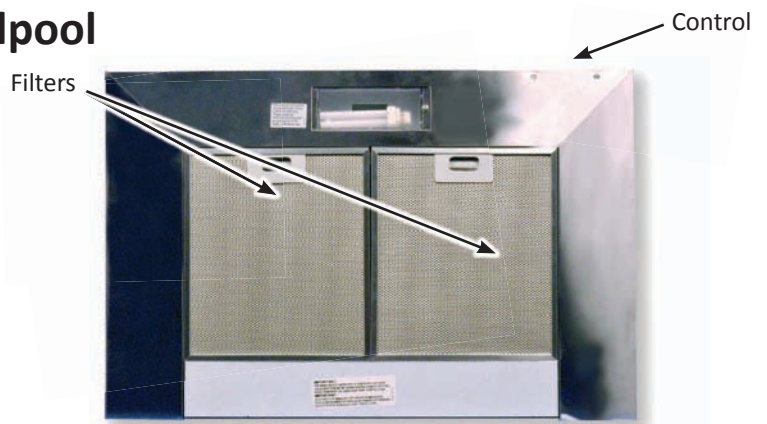
It is the responsibility of the Service Technician to comply with all EPA Regulations and Standards and possess all necessary State and Federal licenses when servicing refrigerators.

Federal regulations and Standards can be found on the United States Government EPA Web Site. State Regulations and Standards and licensing requirements, in most cases, can be found on the State Government Web Site.

GXW7330DXS, GXW7336DX Whirlpool



2 Filters



Hood is shown from underside removed from Installation

WARNING

Electrical Shock Hazard
Disconnect power before servicing.
Replace all parts and panels before operating.
Failure to do so can result in death or electrical shock.

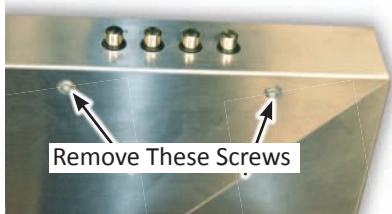


Figure 1

To remove the control:

1. Disconnect power to the range hood.
2. Remove the filters.
3. Remove (2) T10 Torx screws from the under side of the frame at the right corner of the hood, see figure 1.
4. Pull the metal control housing out through the filter opening, see figure 2.

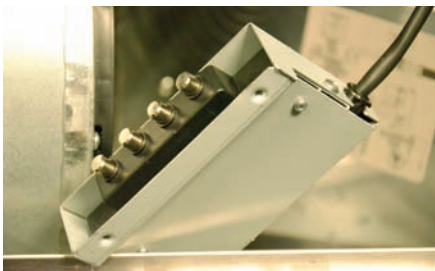


Figure 2

5. Remove (2) T10 Torx screws, one (shown in figure 3) and one on the other side of the box.

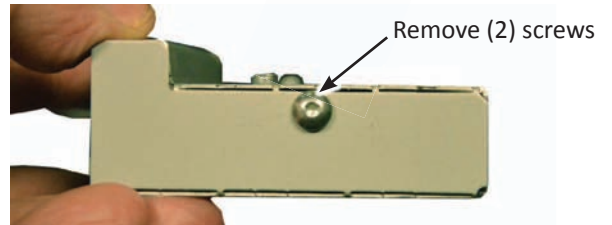


Figure 3

6. Pull the top of the box open slowly. The top of the box is attached by "sheet metal hinges" that will break easily, see figure 4.
7. Remove (3) T10 Torx screws from the bottom of the box to release the plastic switch box, see figure 5.

Bend top at this fold (hinges)

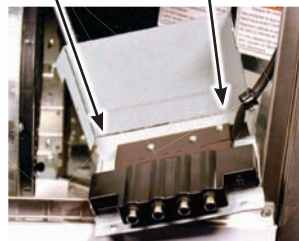


Figure 4

Remove (3) screws

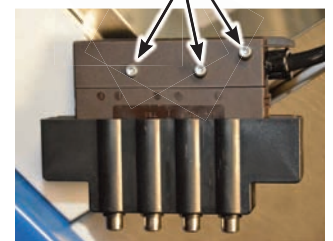


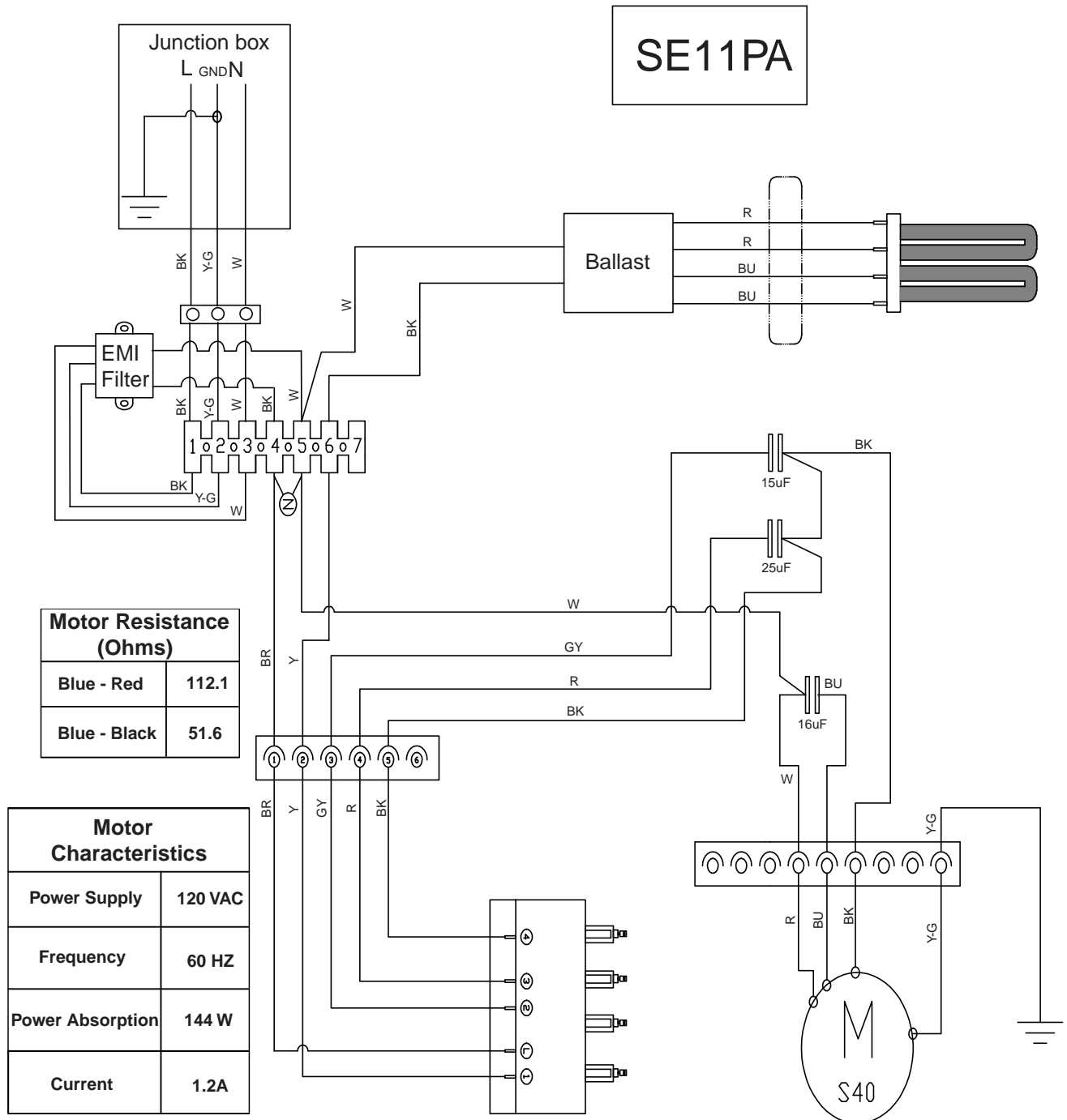
Figure 5



Figure 6

8. Remove cover to access wire connections, see figure 6.

GXW7330DXS, GXW7336DX (continued) Wiring Diagram

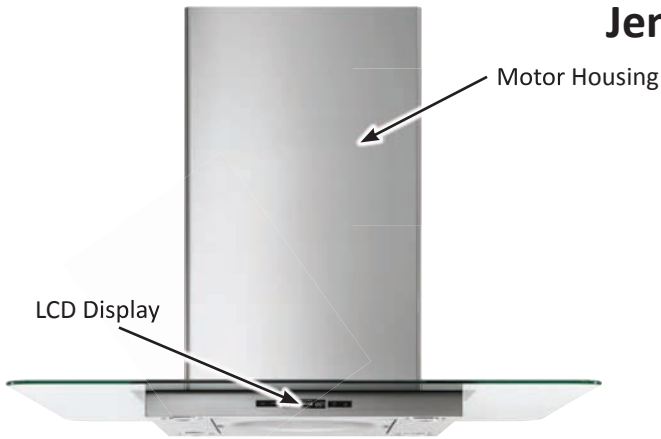


Motor Resistance (Ohms)	
Blue - Red	112.1
Blue - Black	51.6

Motor Characteristics	
Power Supply	120 VAC
Frequency	60 HZ
Power Absorption	144 W
Current	1.2A

JXI5042WS, JXI5036WS

Jenn-Air



5. Disconnect harness.
6. Remove strain relief from the control panel. See figure 3.
7. Remove two (2) T10 Torx screws that mount the display to the bracket.

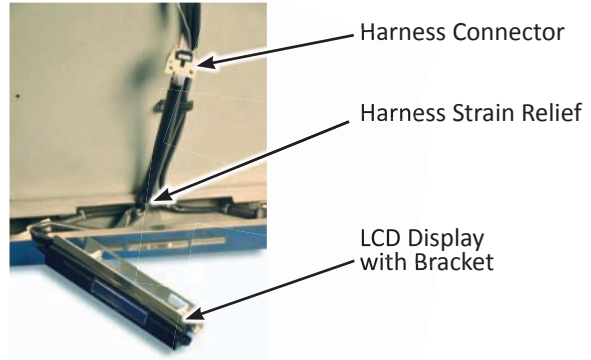


Figure 3

To remove the motor:

1. Disconnect power to the range hood.
2. Remove the range hood from the installation.
3. Remove the glass. See figure 1.
4. Remove the foam insulation from around the top of the range hood flue. See figure 4.

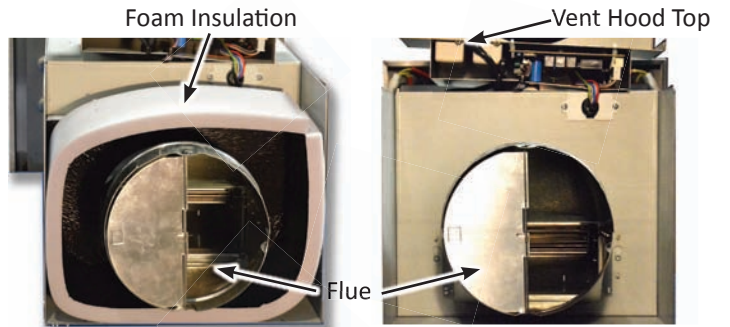


Figure 4

5. Remove two (2) thumb screws to release intake cover at the bottom of the unit. See figure 5.
6. Remove filter. See figure 5.

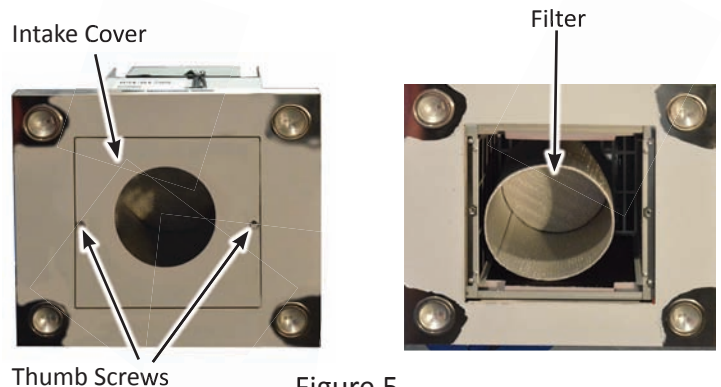


Figure 5

WARNING

Electrical Shock Hazard
Disconnect power before servicing.
Replace all parts and panels before operating.
Failure to do so can result in death or electrical shock.

To remove the LCD display:

1. Disconnect power to the range hood.
2. Remove the range hood from the installation.

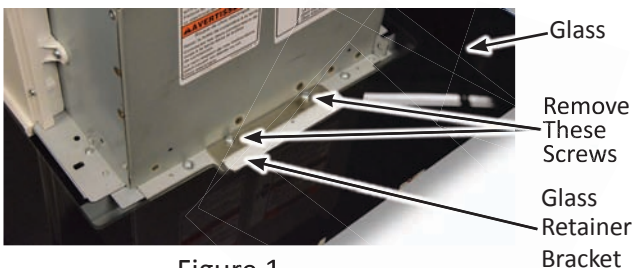


Figure 1

3. Remove four (4) T10 Torx screws that secure the two (2) glass retainer brackets.
4. Remove two (2) T10 Torx screws from control bracket. See figure 2.

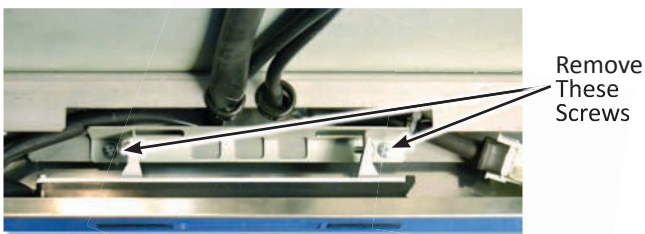


Figure 2

JXI5042WS, JXI5036WS (continued) Jenn-Air



Figure 6

7. Remove (4) T10 Torx screws one in each corner of the filter guard, see figure 6.



Figure 7

8. Remove (4) T10 Torx screws from the motor mounting plate, see figure 7.

NOTE: It is recommended that an extension be used with the screw driver because these screws are difficult to reach. Screws also may be obstructed by insulation. If this is the case, move the insulation out of the way and replace it when reassembling.

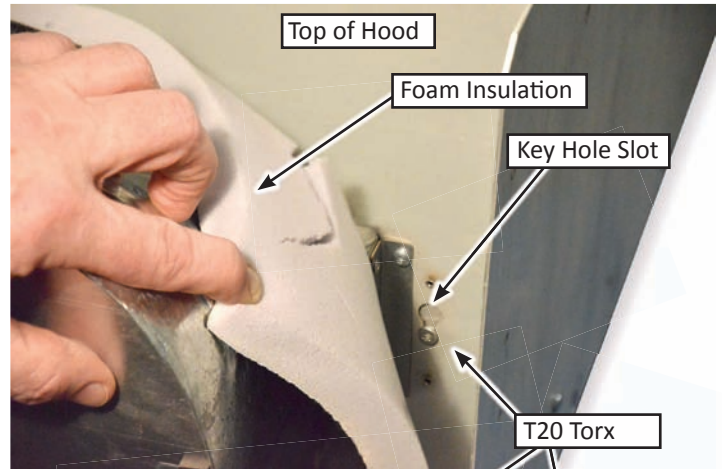


Figure 8

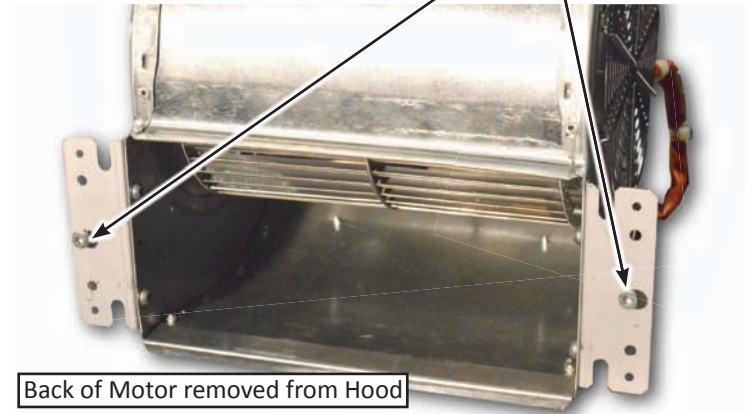


Figure 9

9. Loosen or remove (2) T20 Torx screws (one on each side) that mounts the motor into "key hole" slots at the top of the range hood, see figure 8 and 9.

NOTE: The "key hole" screws are covered by a piece of foam insulation. Be sure to replace the insulation when reassembling.

10. Position the motor so that the screw heads clear the "key hole" slots and remove the motor.

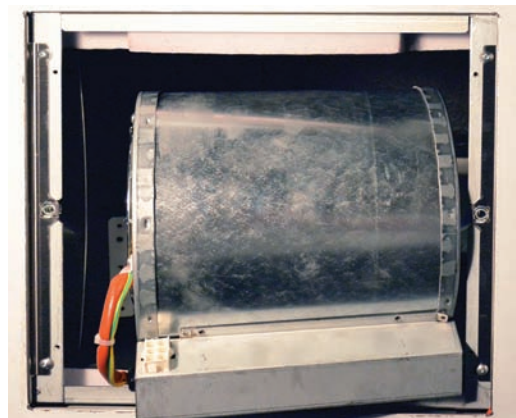
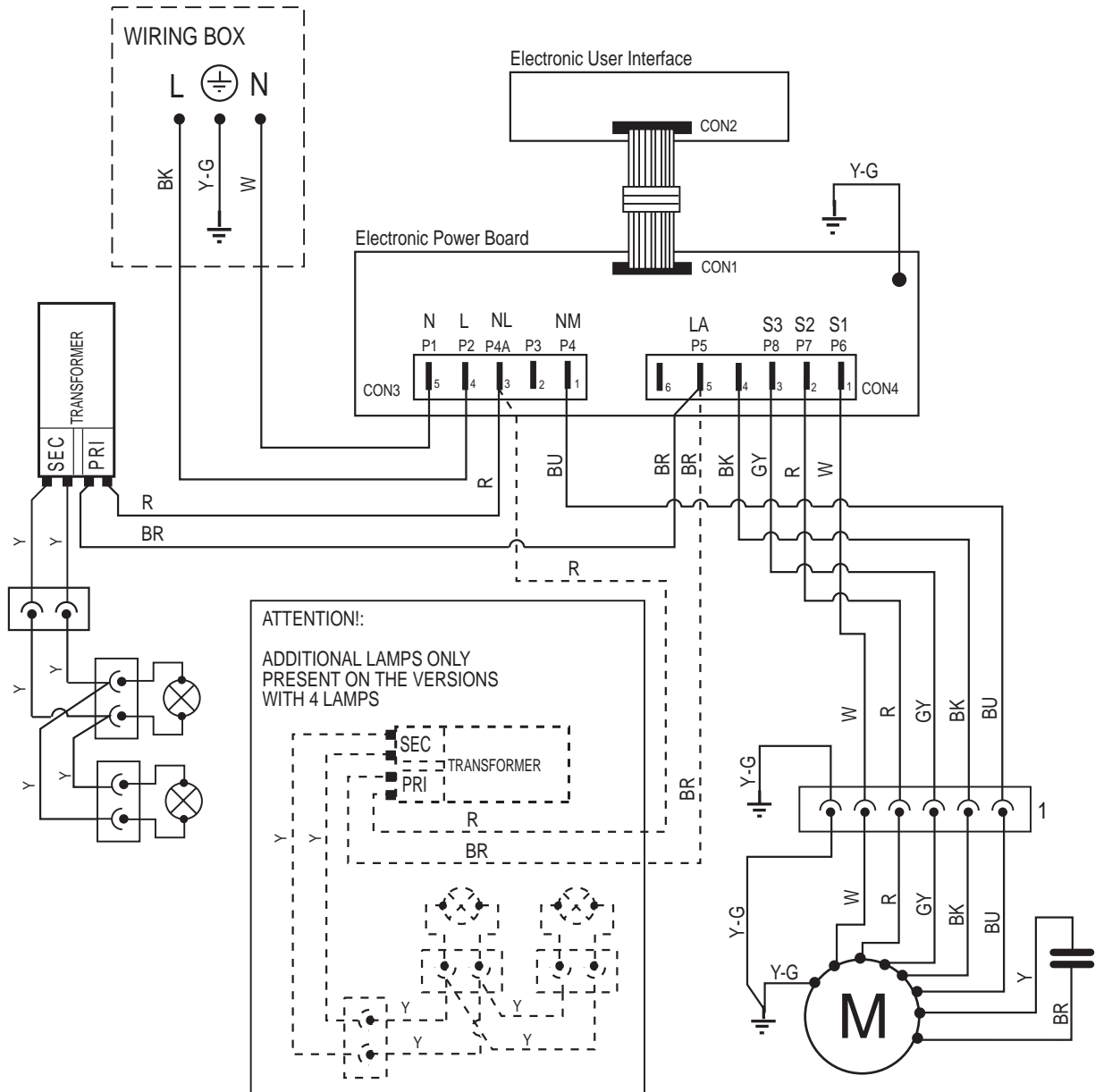


Figure 10

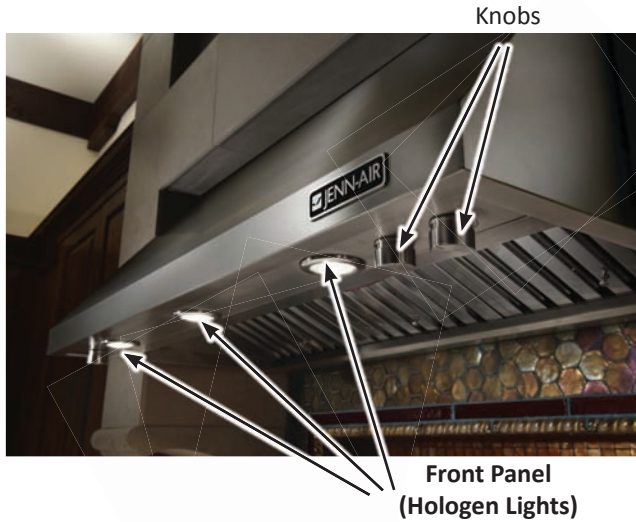
JXI5042WS, JXI5036WS (continued)

Jenn-Air

Wiring Diagram



JXW9030WS, JXW9036WS, JXW9048WS Jenn-Air



4. Remove the knobs
5. Remove the center shaft nuts securing the switches in place.
6. The switches can be removed and disconnected.

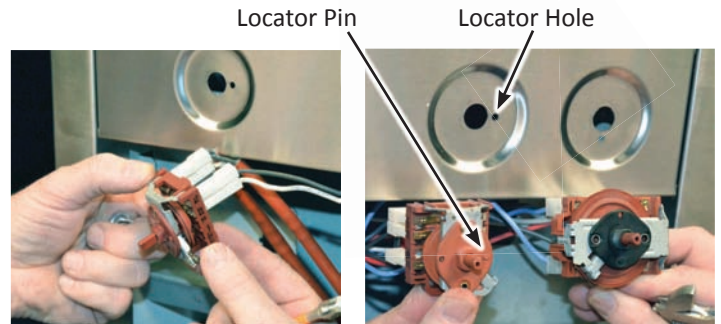


Figure 2

NOTE: Be sure to note the position of the locator pins on each switch and orient the switches properly when reassembling, see figure 2 and 3.



Switch functions

Figure 3

⚠ WARNING



Electrical Shock Hazard

Disconnect power before servicing.

Replace all parts and panels before operating.

Failure to do so can result in death or electrical shock.

To remove switches:

1. Disconnect power to the range hood.
2. Remove the air filters
3. Remove (2) T10 Torx screws from the underside of the front panel. This is the panel that accommodates the incandescent lights see figure 1.

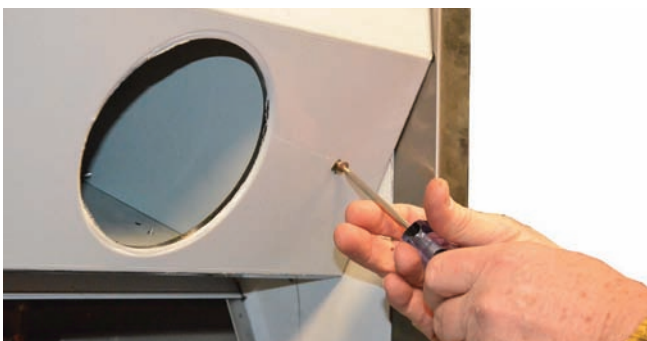


Figure 1

KXI2530YSS, KXW2536YSS, KXW2548YSS Kitchen Aid

5. Remove the glass and frame and place it in a secure location.

NOTE: Visually center glass around box (duct) when reassembling.

6. Remove (2) T20 Torx screws from the control, see figure 2.

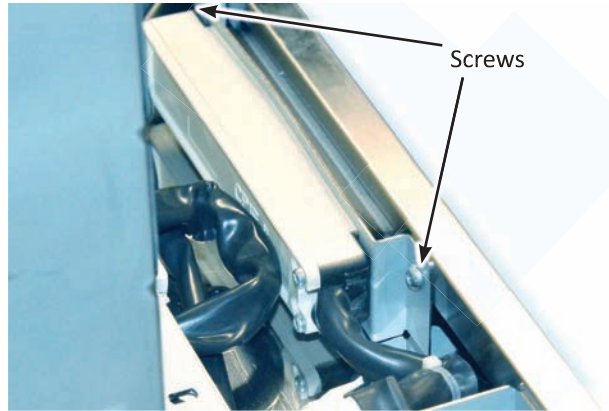
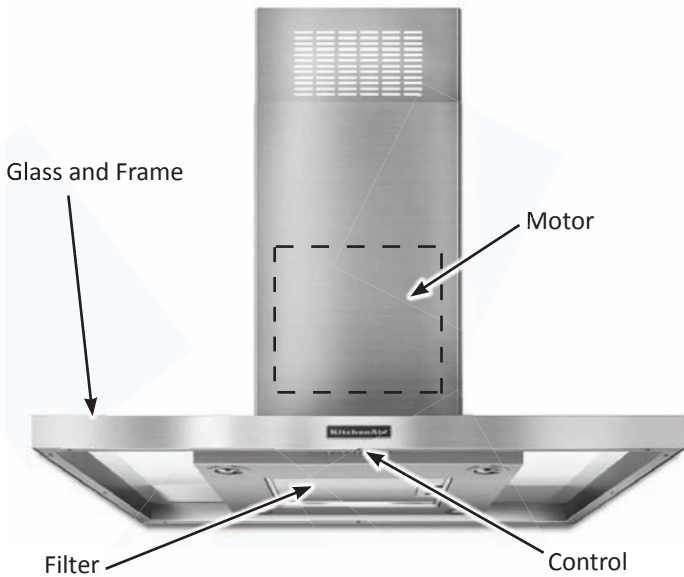


Figure 2

7. Disconnect harness and remove control, see figure 3.

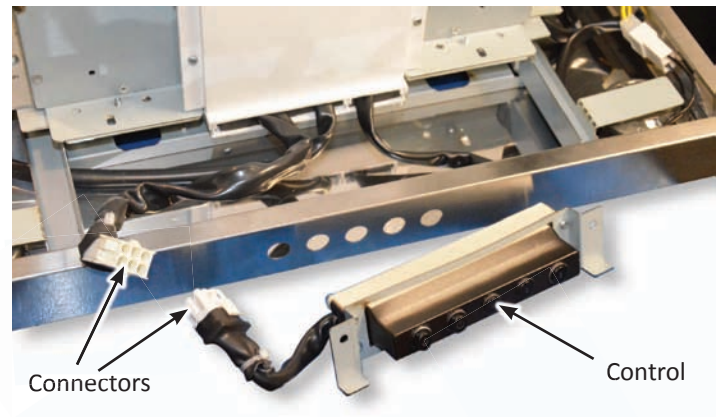


Figure 3

⚠ WARNING

Electrical Shock Hazard
Disconnect power before servicing.
Replace all parts and panels before operating.
Failure to do so can result in death or electrical shock.

To remove control:

1. **Disconnect power to the range hood.**
2. Remove the hood from installation.
3. Remove the filters.
4. Remove (4) T20 Torx screws that secure glass hold down brackets (2) screws on either side of the motor housing base, see figure 1.

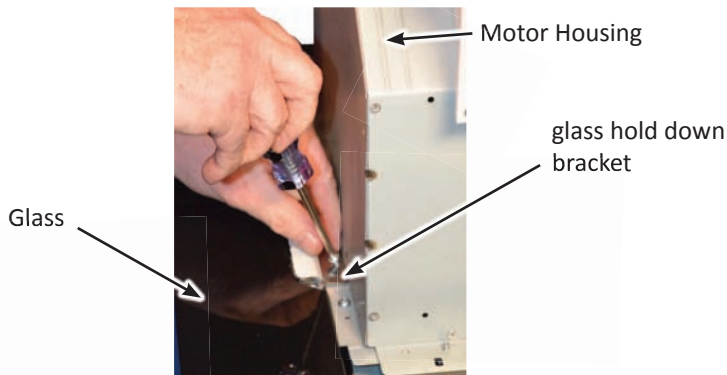


Figure 1

KXI2530YSS, KXW2536YSS, KXW2548YSS (continued)

Kitchen Aid

To remove motor:

1. Disconnect power to the range hood.
2. Remove the filters.
3. Disconnect the harness.
4. Remove (4) 1/4" screws from the motor mounting bracket, see figure 1.

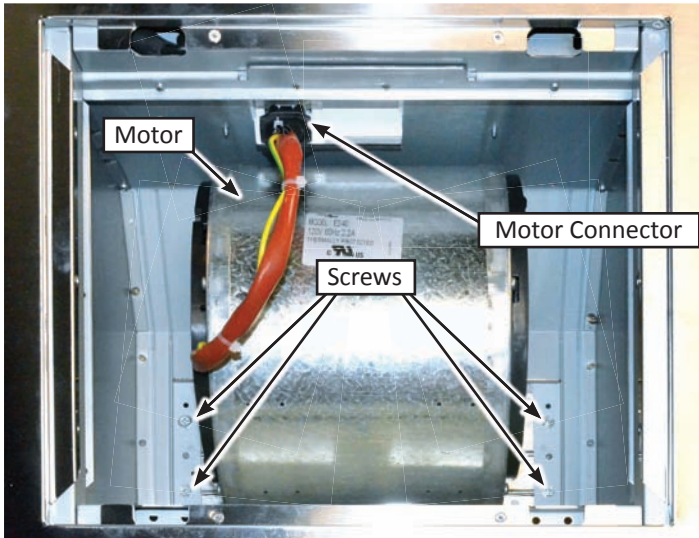
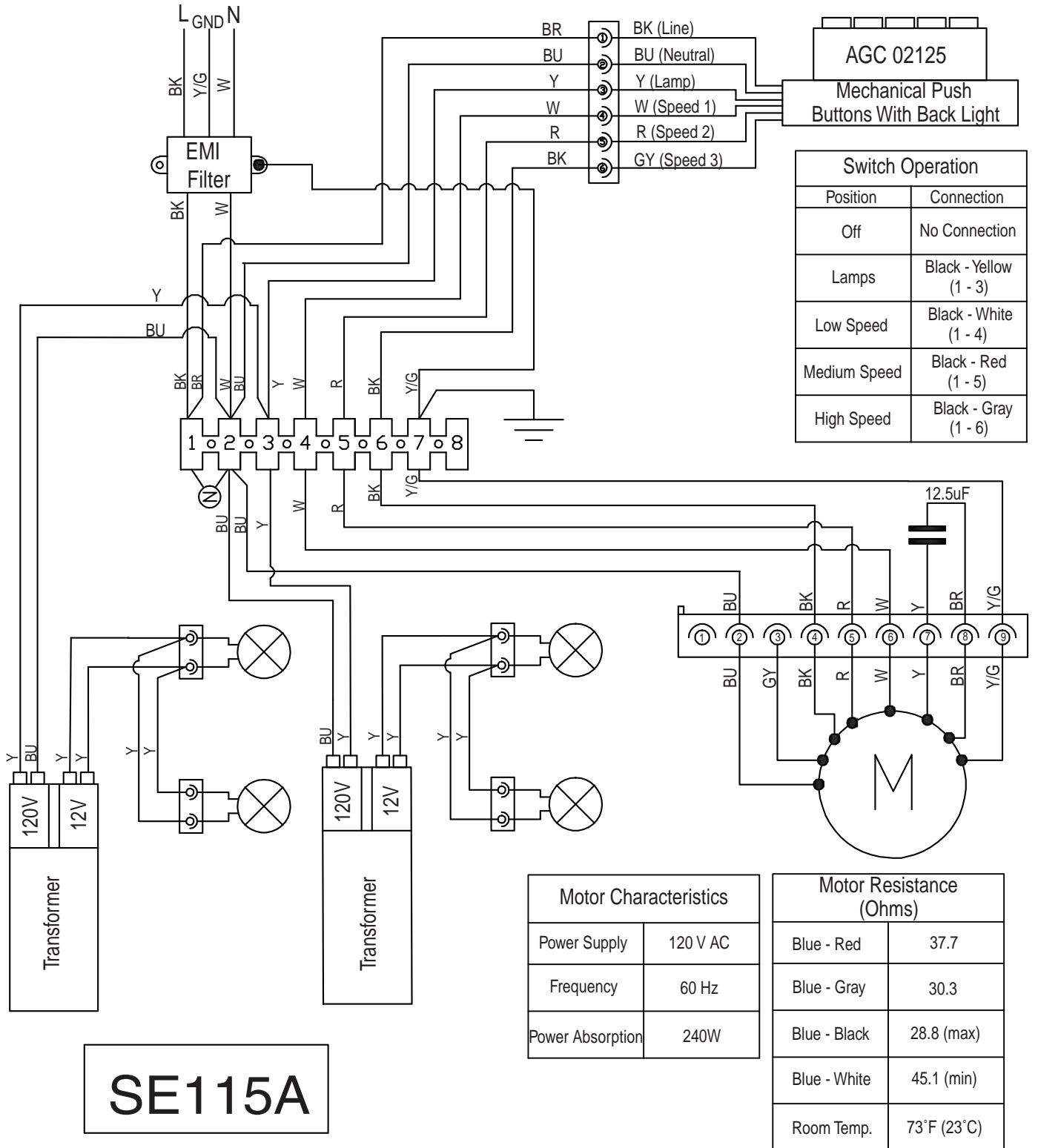


Figure 1

NOTE: It is recommended that a screwdriver extension be used because these screws are difficult to reach.

KXI2530YSS, KXW2536YSS, KXW2548YSS (continued)

Kitchen Aid Wiring Diagram



KXU4236YSS, KXU4230YSS Kitchen Aid



- Remove (2) T20 Torx screws, one from each side of the light panel, see figure 2.



Figure 2



Figure 3

- Disconnect the ribbon cable behind the light panel and remove the panel, see figure 3.



Figure 4

- Remove (2) T10 Torx screws that secure the switch housing to the frame, see figure 4.
- Remove (4) screws that secure the board to the switch housing, see figure 5. Disconnect ribbon cable.

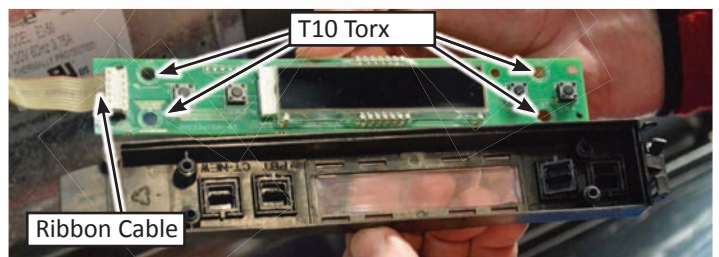


Figure 5

⚠ WARNING

Electrical Shock Hazard
Disconnect power before servicing.
Replace all parts and panels before operating.
Failure to do so can result in death or electrical shock.

To remove the control:

- Disconnect power to the range hood.
- Remove the filters.
- Remove (4) T10 Torx screws from under the frame, (2) screws at the corner of each side panel, see figure 1.



Figure 1

KXU4236YSS, KXU4230YSS (continued) Kitchen Aid

To remove the motor:

1. Disconnect power from the range hood.
2. Remove the filters.
3. Remove (4) 1/4" hex head phillips screws from the motor mounting bracket, see figure 1.

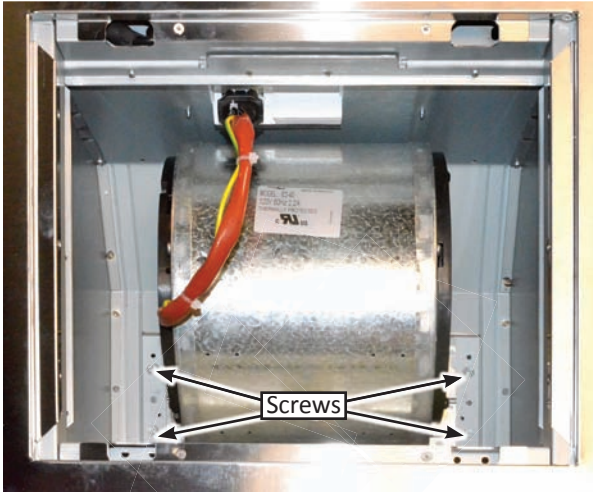


Figure 1

4. Slightly rotate and reposition the motor to disengage the stamped metal "ears" that mate with opening in the motor mounting bracket, see figure 2 and 3.

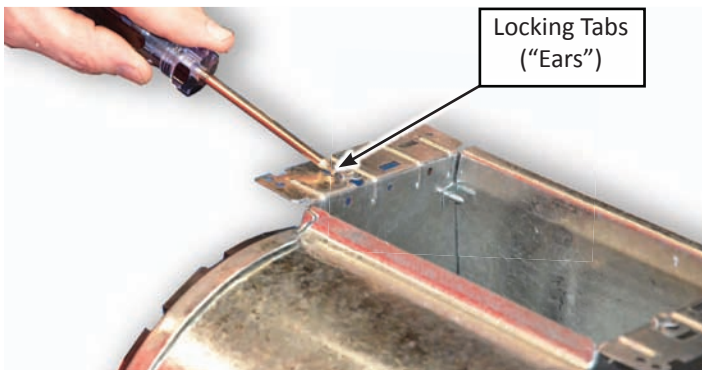


Figure 2

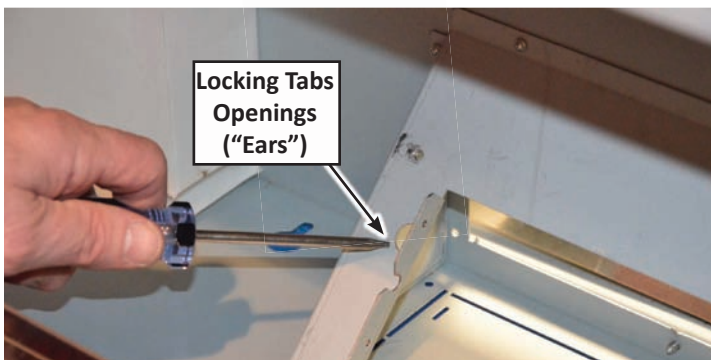
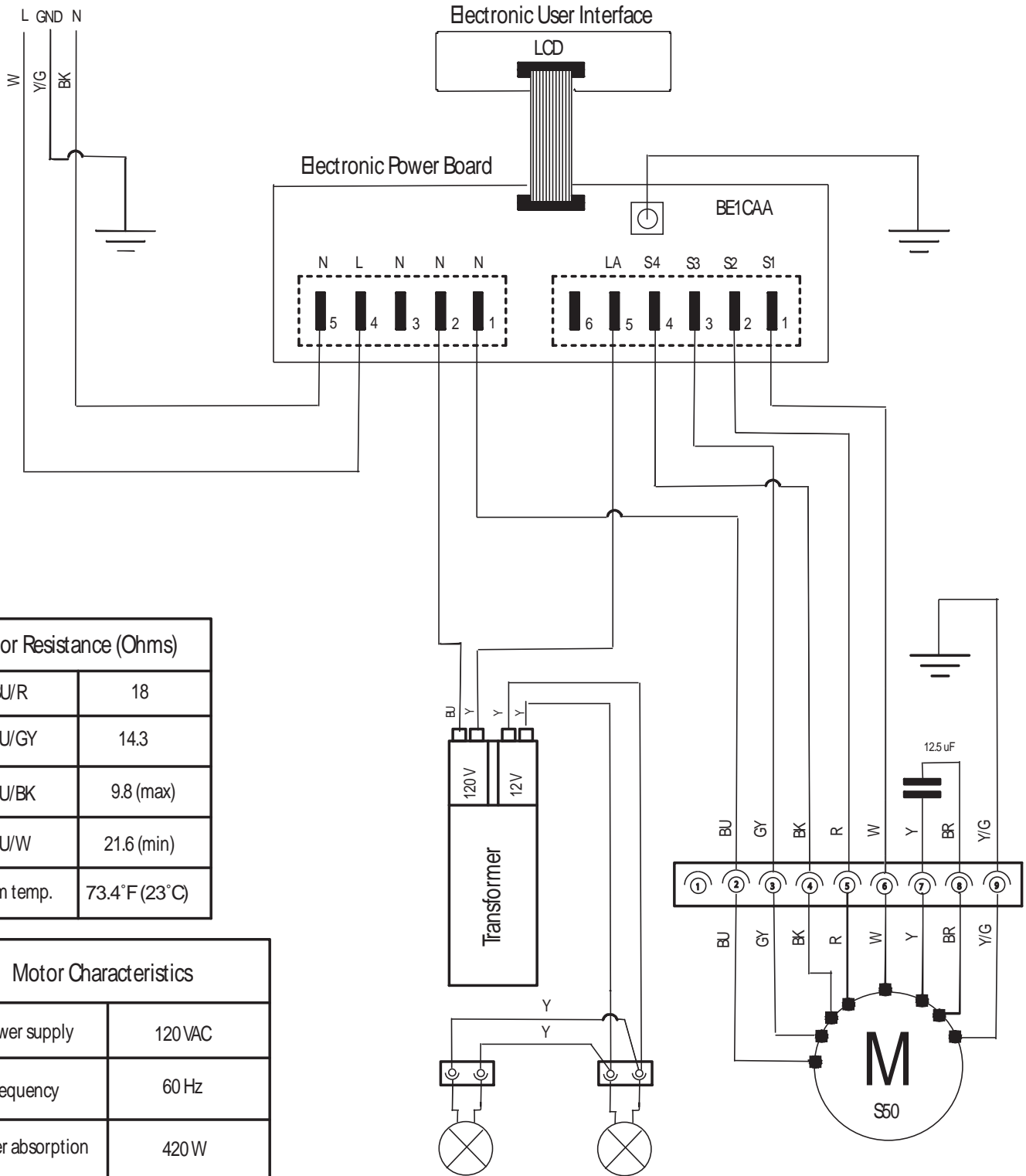


Figure 3

5. Disconnect electrical plug from the printed circuit board.

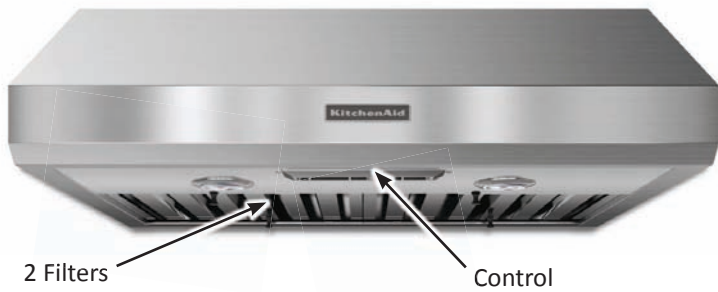
KXU4236YSS, KXU4230YSS (continued) Kitchen Aid Wiring Diagram



Motor Resistance (Ohms)	
BU/R	18
BU/GY	14.3
BU/BK	9.8 (max)
BU/W	21.6 (min)
Room temp.	73.4°F (23°C)

Motor Characteristics	
Power supply	120 VAC
Frequency	60 Hz
Power absorption	420 W
Current	3.7 A

KXU8030YSS, KXU8036YSS Kitchen Aid



WARNING

Electrical Shock Hazard
Disconnect power before servicing.
Replace all parts and panels before operating.
Failure to do so can result in death or electrical shock.

To remove the control:

1. Disconnect power from the range hood.
2. Remove the filters.
3. Remove (4) T10 Torx screws from backside of the light panel, see figure 1.



Figure 1

4. Remove (2) T10 Torx screws that secure the switch box to the light panel, see figure 2.



Figure 2

5. Remove the switch housing from the light panel.

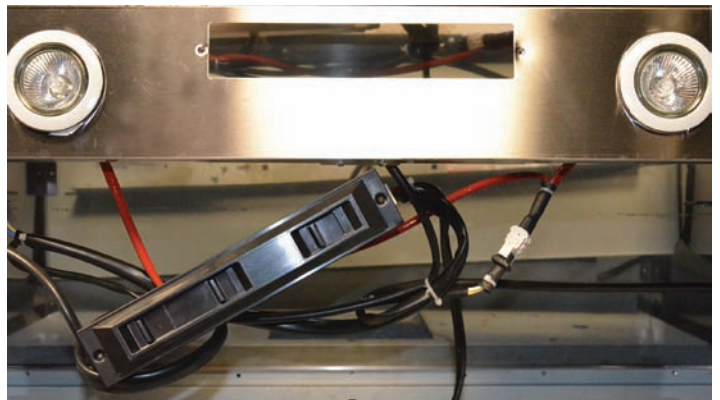


Figure 3

6. Remove (4) T10 Torx screws that attach the cover to the switch box assembly, see figure 4.

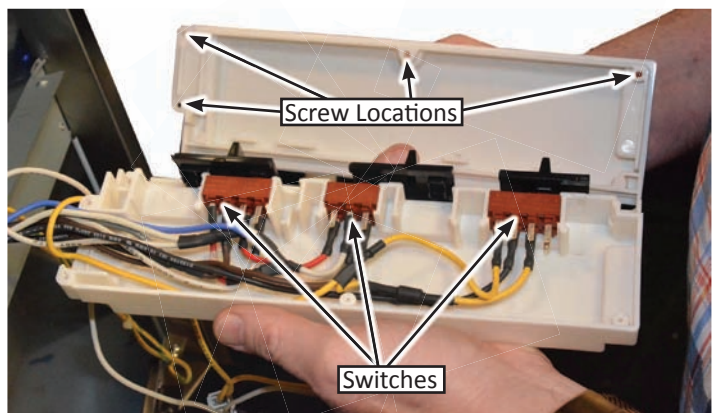


Figure 4

7. Test and or replace the affected switch.

KXU8030YSS, KXU8036YSS (continued) Kitchen Aid

1. To remove the motor:
 - a. Disconnect power to the range hood.
 - b. Remove the filters.
 - c. Disconnect quick disconnect plug.

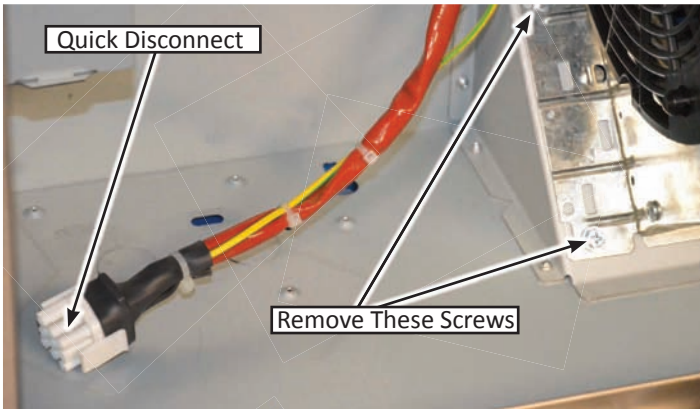


Figure 1

- d. Remove (4) hex head phillips screws from the 2 motor mount brackets, see figures 1 and 2.

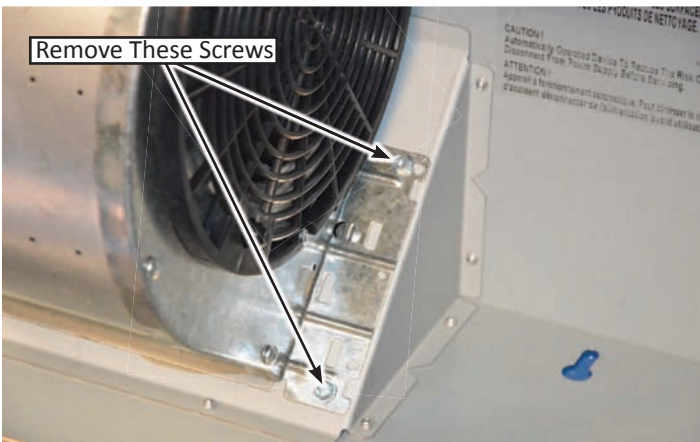
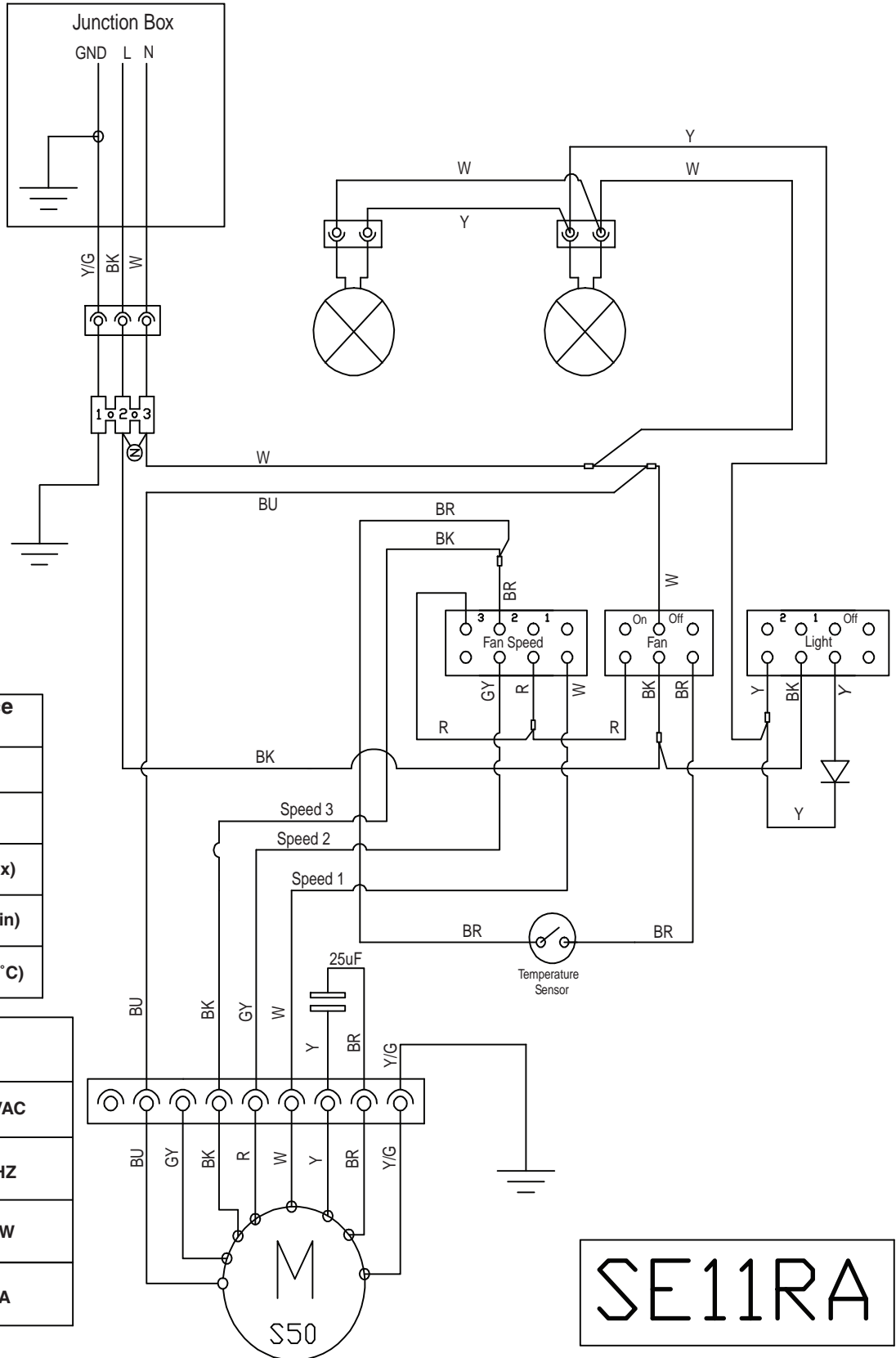


Figure 2

KXU8030YSS, KXU8036YSS (continued) Kitchen Aid Wiring Diagram

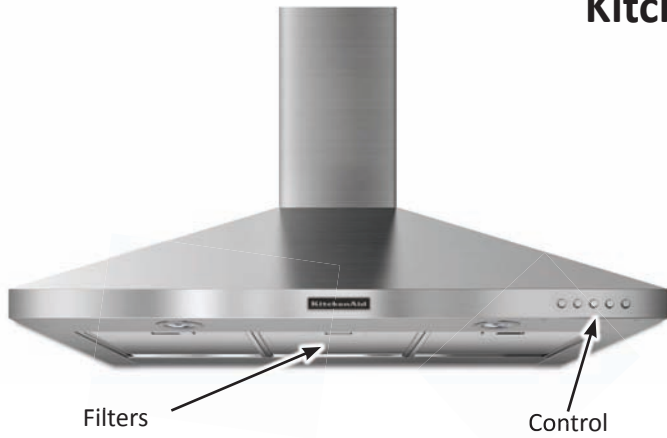


Motor Resistance (Ohms)	
Blue - Red	18
Blue - Gray	14.3
Blue - Black	9.8 (max)
Blue - White	21.6 (min)
Room Temp.	41°F (23°C)

Motor Characteristics	
Power Supply	120 VAC
Frequency	60 HZ
Power Absorption	420 W
Current	3.7A

SE11RA

KXW2330YSS, KXW2336YSS Kitchen Aid



WARNING

Electrical Shock Hazard
Disconnect power before servicing.
Replace all parts and panels before operating.
Failure to do so can result in death or electrical shock.

To remove the control:

1. Disconnect power to the range hood.
2. Remove the filters.
3. Remove (2) T10 Torx screws from the right underside of the light panel, see figure 1.

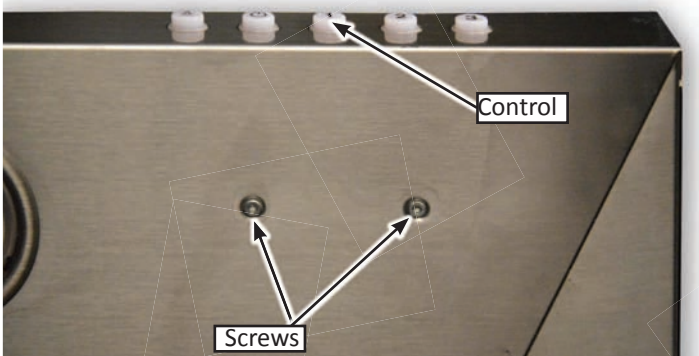


Figure 1

4. The control can now be easily accessed , see figure 2.

5. Disconnect the control harness, see figure 2.

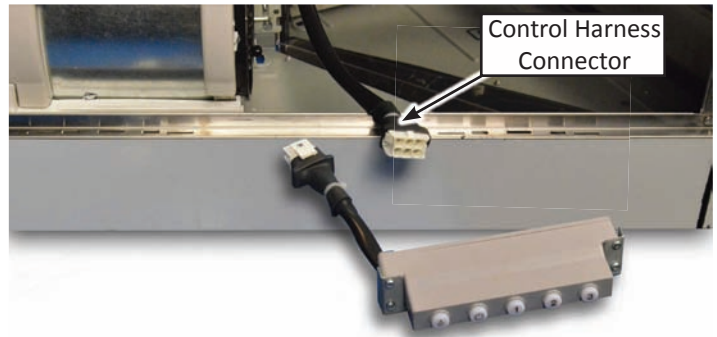


Figure 2

To remove the motor:

1. Disconnect power from the range hood.
2. Remove the filters.
3. Disconnect control and harness connector, see figure 3.

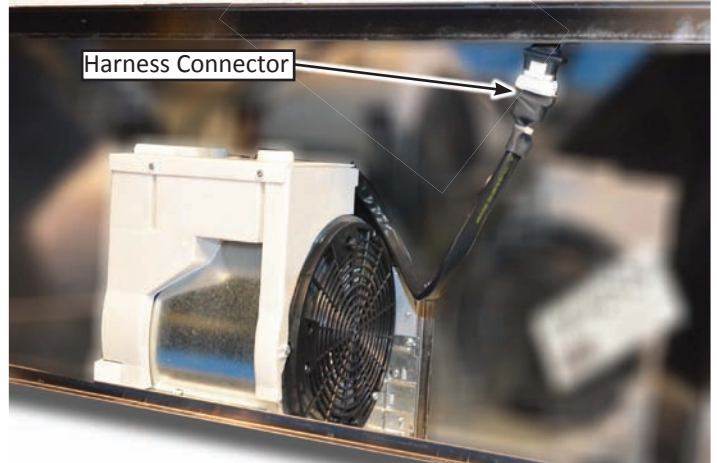
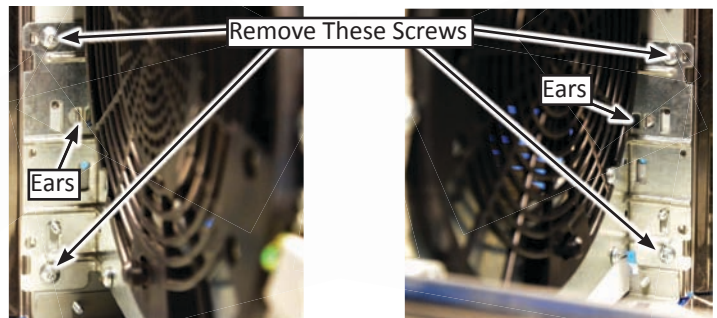


Figure 3

4. Remove (4) T10 Torx screws from the motor mounting plate (2) on each side, see figure 4.
5. Disengage locating "ears" from the slots at the back of each bracket, see figure 4.



Left side of motor

Right side of motor

Figure 4

KXW2336YSS, KXW2330YSS (continued)

Kitchen Aid

6. Pull motor out, see figure 3.

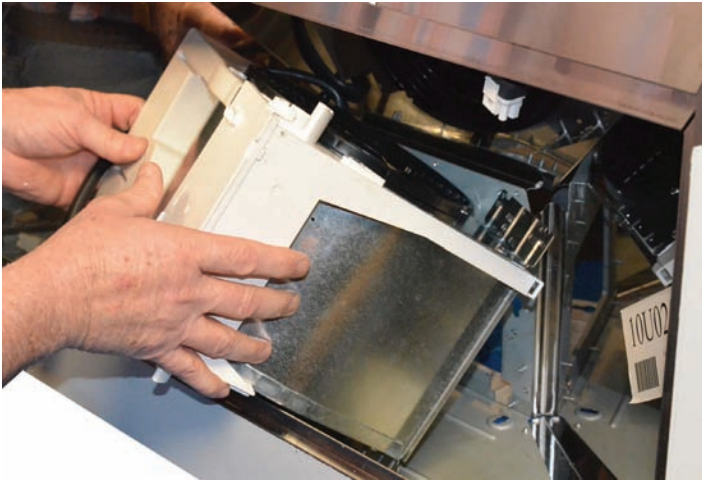


Figure 3

7. Remove (6) T10 Torx screws that mount the electrical housing around the motor, see figure 4 and 4a.

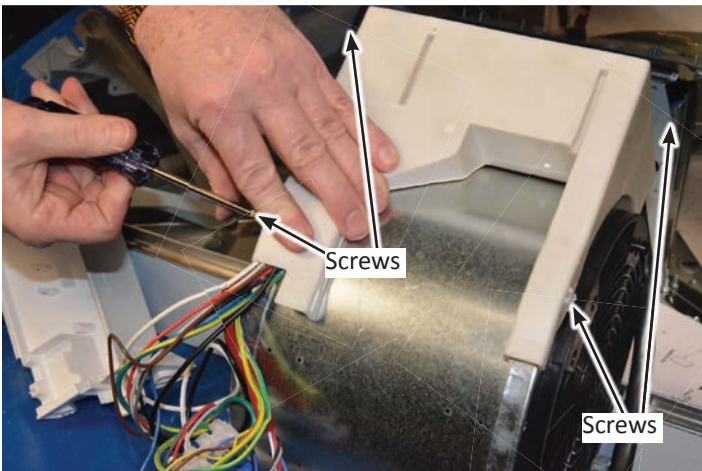


Figure 4

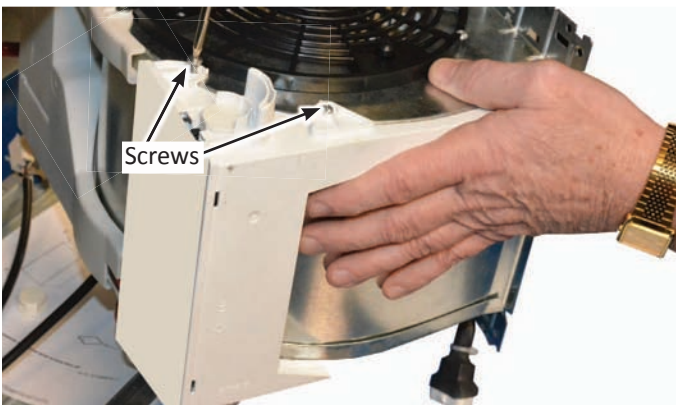


Figure 4a

8. Remove (2) T10 Torx screws and disengage (2) tabs that secure the wiring harness cover, see figure 5.

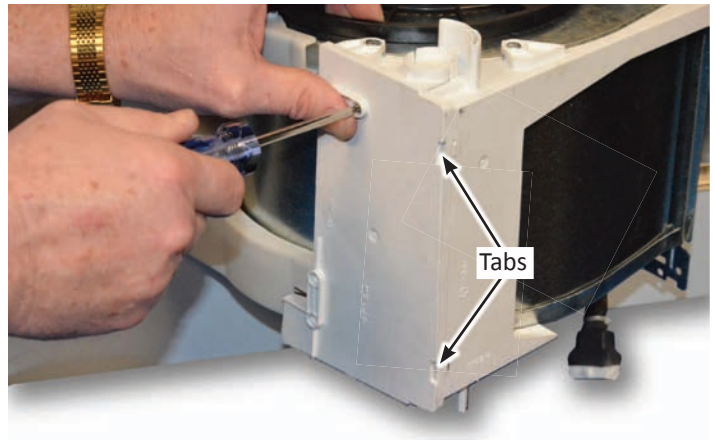


Figure 5

9. Disconnect motor wiring harness from connector block and remove motor, see figure 6.

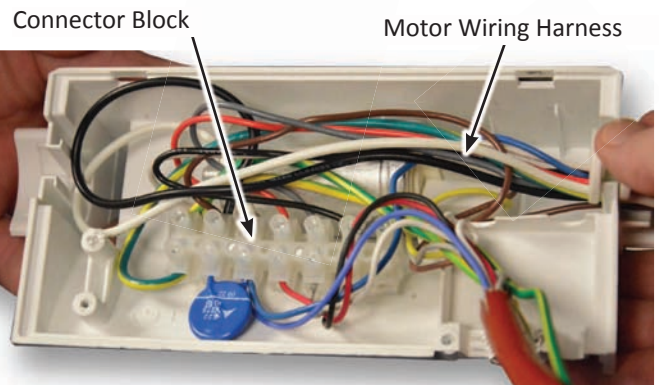
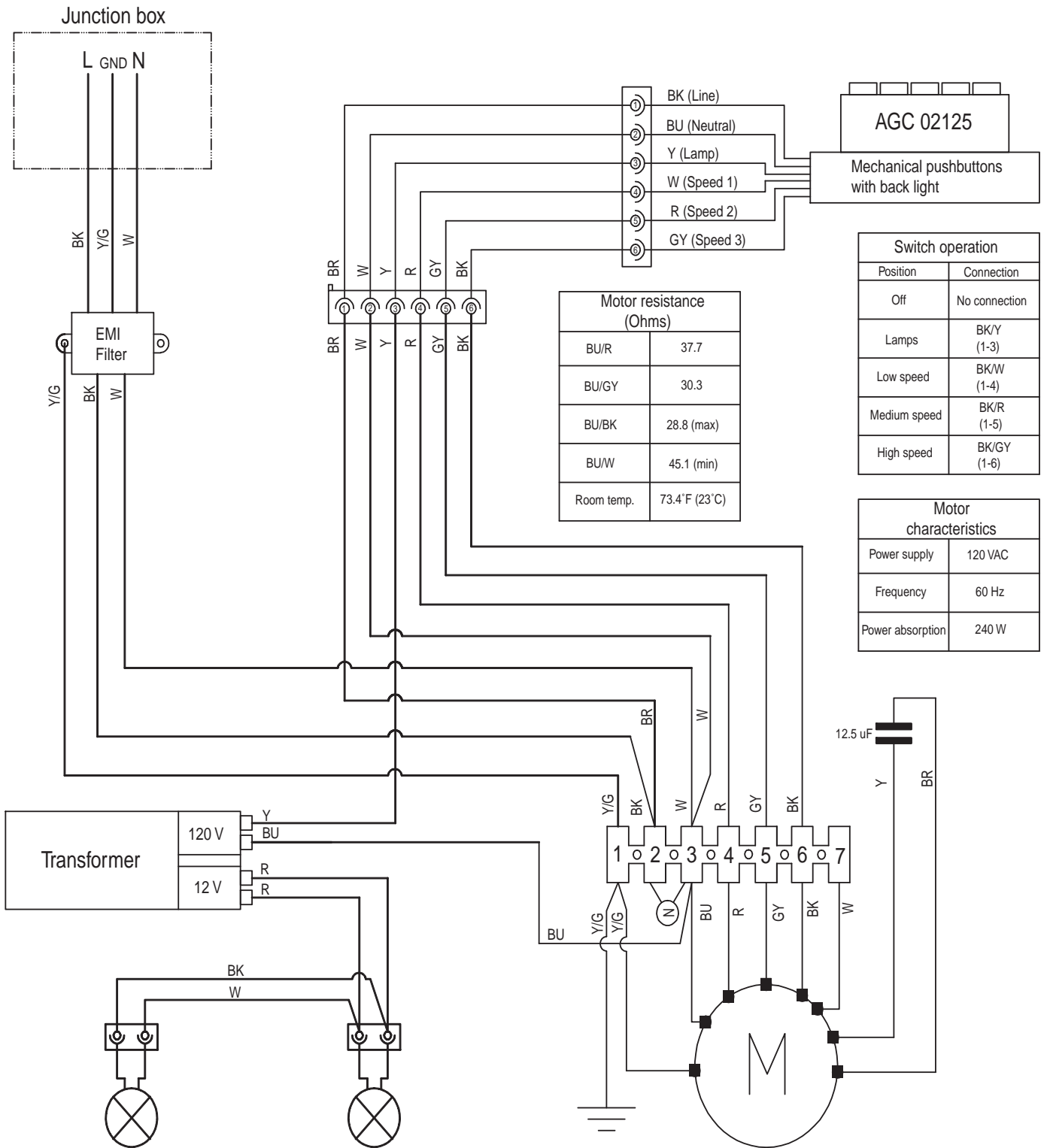


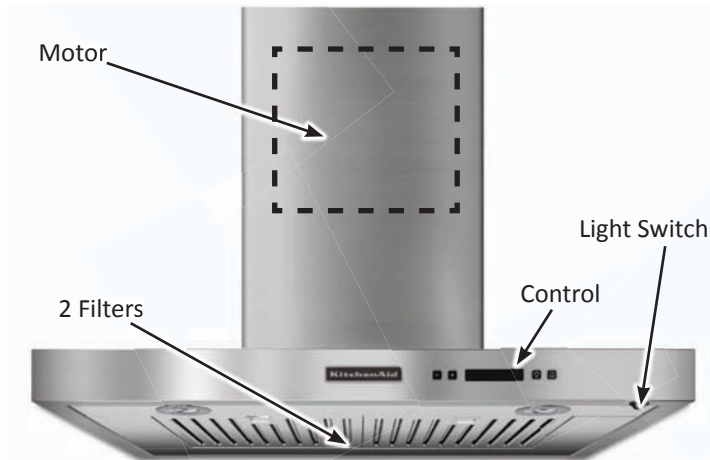
Figure 6

KXW2336YSS, KXW2330YSS (continued) Kitchen Aid Wiring Diagram



KXI4336YSS, KXI4342YSS, KXW4336YSS, KXW4330YSS, KXW4436YSS, KXW4430YSS

Kitchen Aid



4. Remove (4) T10 Torx screws, (2) from each side of the light panel, total of (4), see figure 2.



Figure 2

5. Remove (2) T10 Torx screws, that secure the on/off switch bracket to the frame, see figure 3.

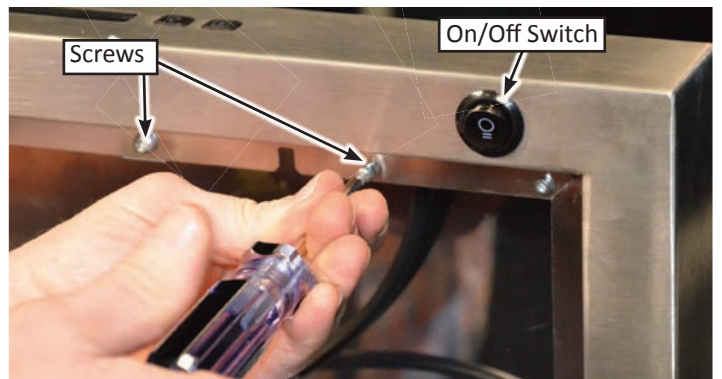


Figure 3

6. Depress the switch retainers and pull the switch out the front of the panel. See figure 4.

⚠ WARNING



Electrical Shock Hazard
Disconnect power before servicing.
Replace all parts and panels before operating.
Failure to do so can result in death or electrical shock.

To remove the light switch and control:

1. Disconnect power from range hood.
2. Remove the filters.
3. Remove (2) T10 Torx screws each from the right and left of side panels total of (4), see figure 1.

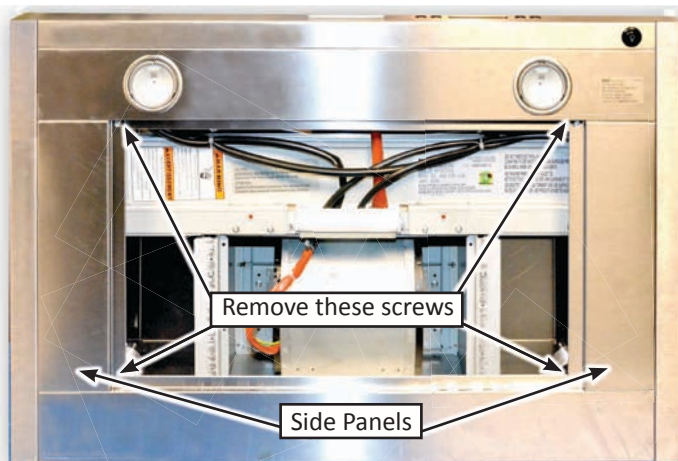


Figure 1

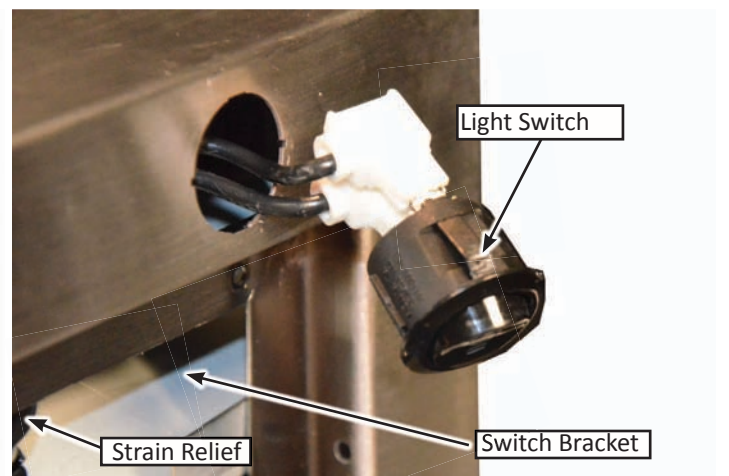


Figure 4

KXI4336YSS, KXI4342YSS, KXW4336YSS, KXW4330YSS, KXW4436YSS, KXW4430YSS (continued) Kitchen Aid

7. Remove (2) T10 Torx screws to release the control bracket, see figure 5.

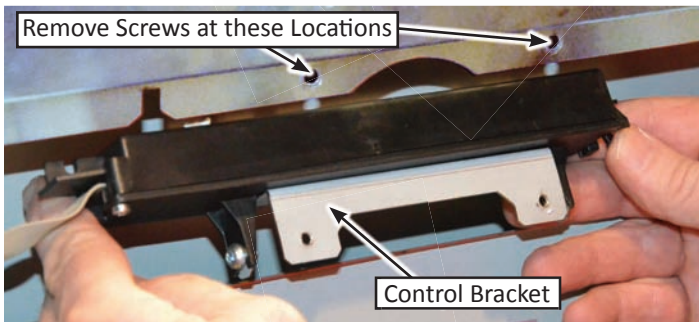


Figure 5

8. Remove (2) T10 Torx screws from the control box cover, see figure 6.

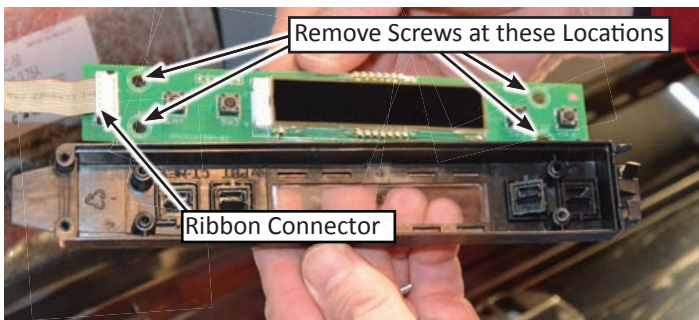
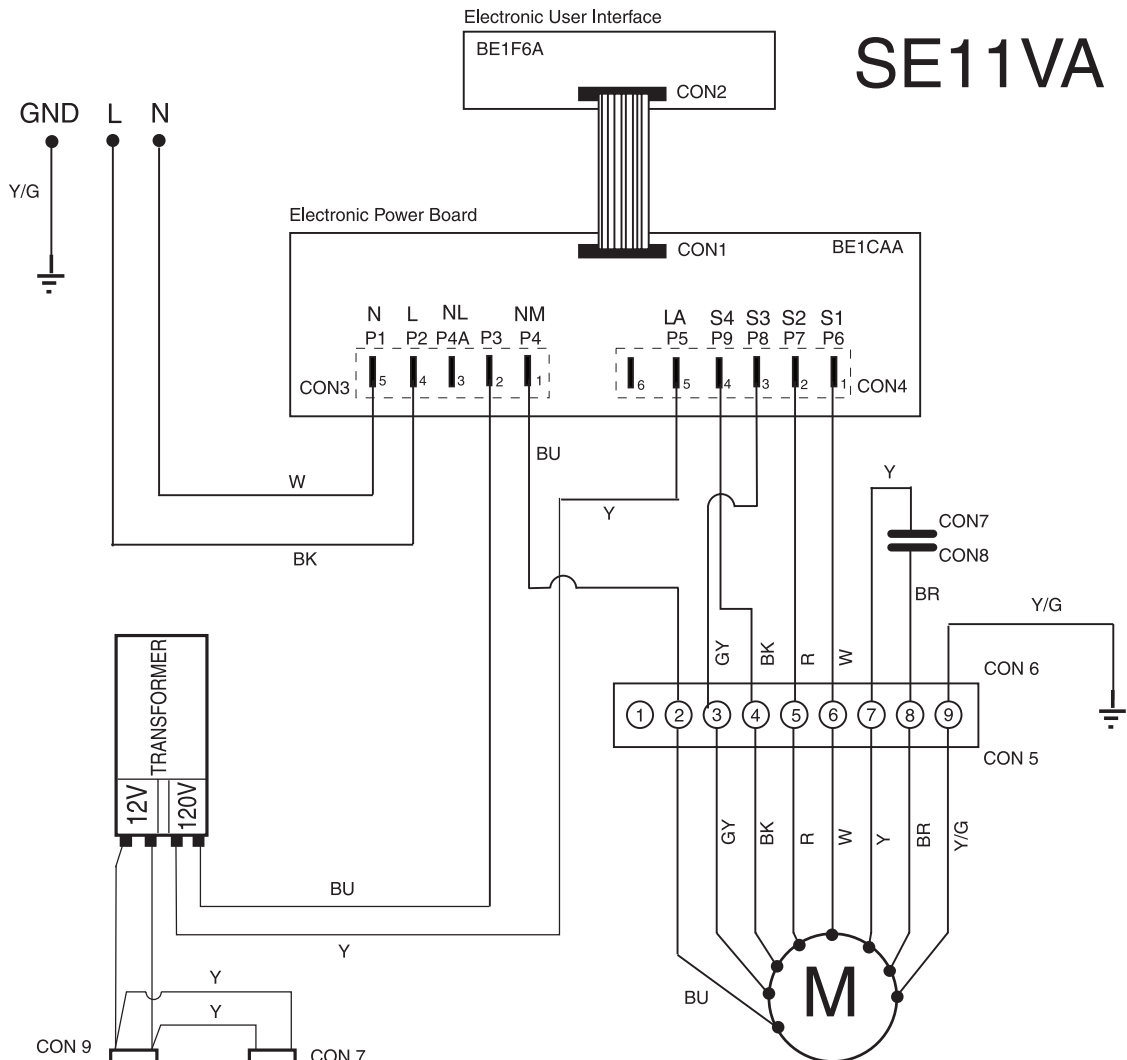


Figure 6

9. Remove (4) T10 Torx screws from the Electronic User Interface board and disconnect ribbon connector, see figure 6.

Kitchen Aid Wiring Diagram

SE11VA



Motor Characteristics	
Power Supply	120 VAC
Frequency	60 Hz
Power Absorption	420 W
Current	3.7 A

Motor Resistance (Ohms)	
Blue - Red	18
Blue - Gray	14.3
Blue - Black	9.8 (max)
Blue - White	21.6 (min)
Room Temp.	73°F (23°C)

KXW8730YSS, KXW8736YSS, KXW8748YSS KitchenAid



WARNING

Electrical Shock Hazard
Disconnect power before servicing.
Replace all parts and panels before operating.
Failure to do so can result in death or electrical shock.

To remove the control switch:

1. Disconnect power from range hood.
2. Remove the filters.
3. Remove (4) T20 screws along the underside edge of the front filter retainer, see figure 1.

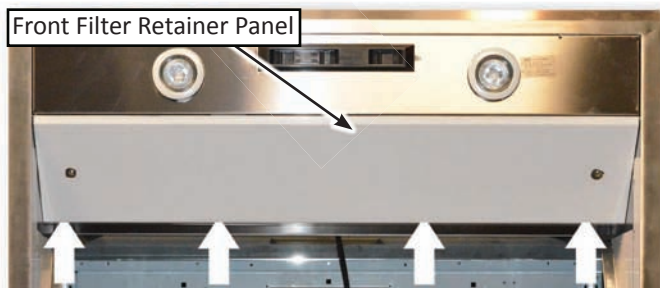


Figure 1

4. Remove (2) screws, one at each end of the front filter retainer panel, see figure 2.



Figure 2

5. Remove (2) screws, one on each side of the filter retainer panel, remove the panel, see figure 3.



Figure 3

6. Remove (2) screws, one at on each side of the control switch, see figure 4.

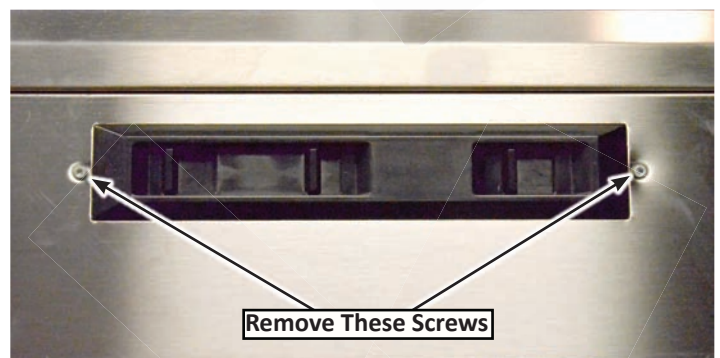


Figure 4

7. Remove the control switch from the light panel.



Figure 5

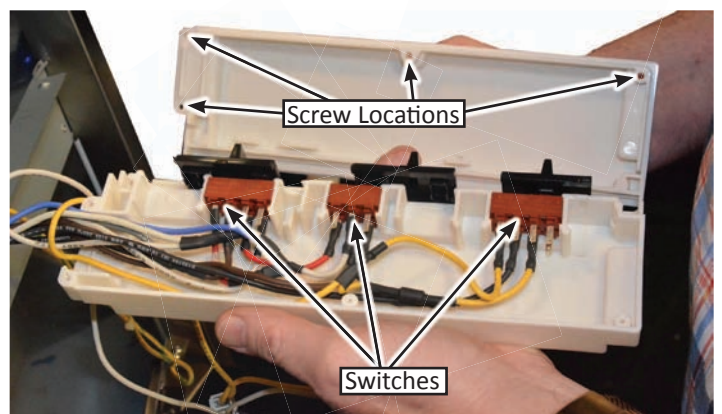
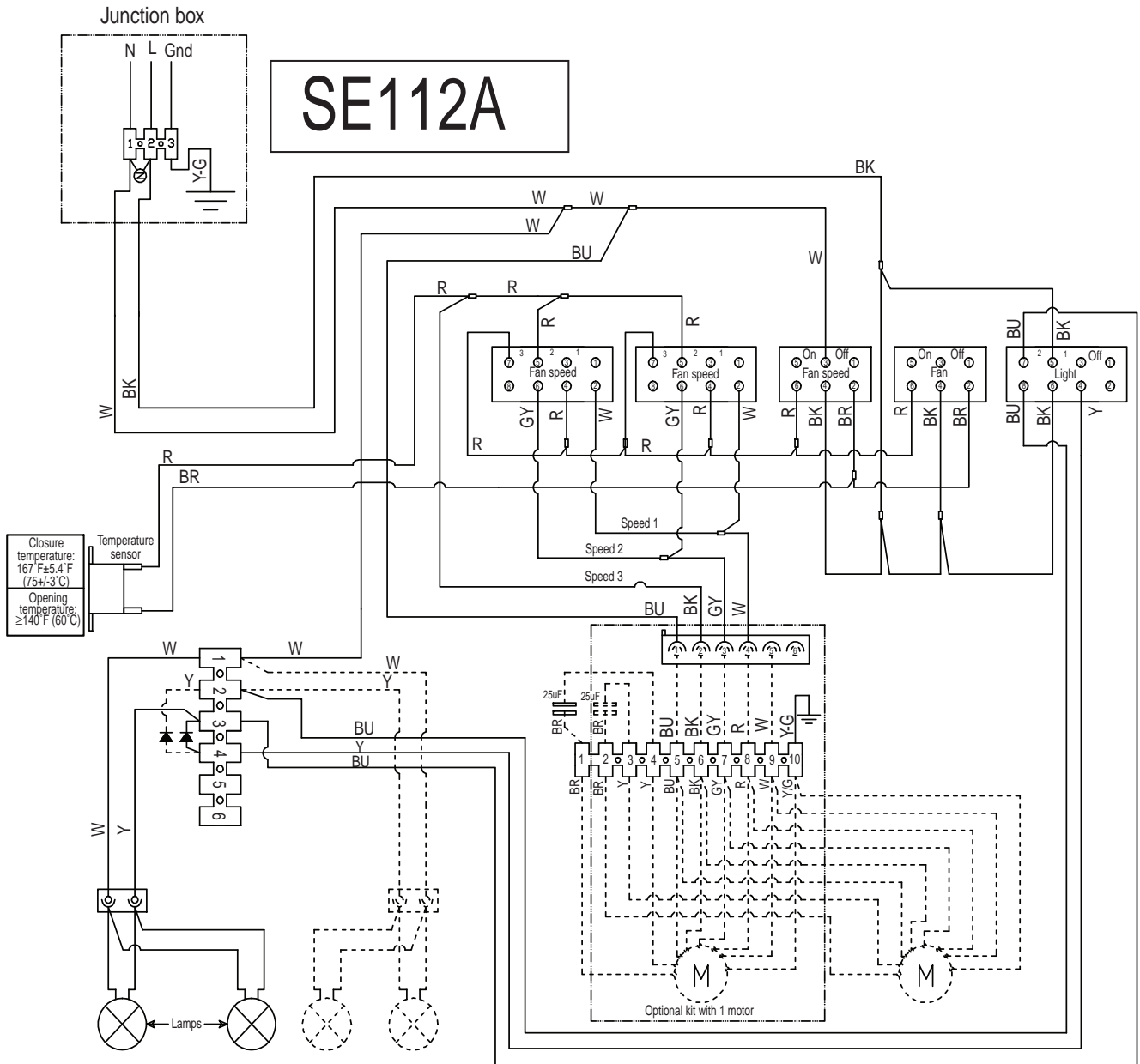


Figure 6

KXW8730YSS, KXW8736YSS, KXW8748YSS (continued)

Wiring Diagram



Motor Resistance (Ohms)		
Blue-Red: 18	Blue-White: 21.6 (min.)	Blue-Black: 9.8 (max)
Blue-Gray: 14.3	Room Temp: 73.4°F (23°C)	

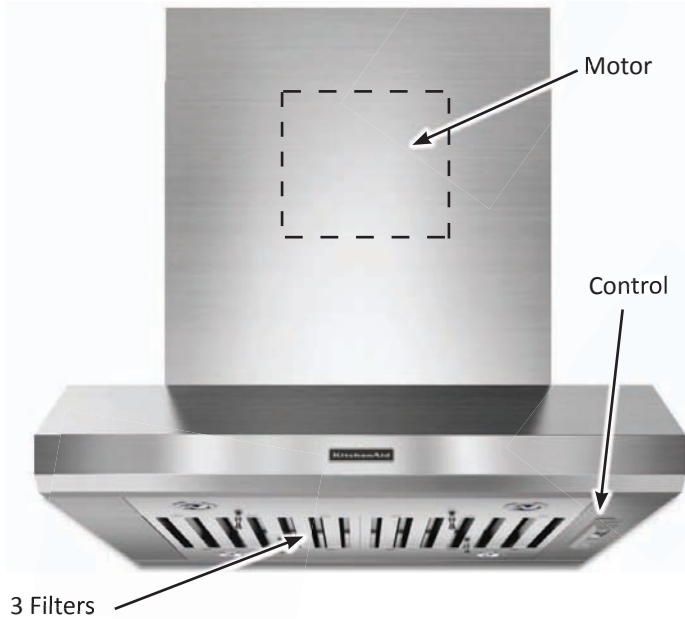
Motor Characteristics	
Power supply: 120 VAC	Power absorption: 420 W
Frequency: 60 Hz	Current: 3.7A

Switch operation with button "1-2-3"			
Position	1	2	3
Connection	④—②	④—⑥	⑤—⑦
Action	Speed 1	Speed 2	Speed 3

Switch operation with button "ON-OFF"		
Position	ON	OFF
Connection	④—⑥	④—②
Action	Motor ON	Motor OFF

Switch operation with button "Light"			
Position	OFF	1	2
Connection	④—②	④—⑥	⑤—⑦ ⑥—⑧
Action	Lights Off	Low Intensity	High Intensity

KXI9736YSS, KXI9748YSS Kitchen Aid



4. Pull the control out from the back of the panel, see figure 2.
5. Remove (6) T10 Torx screws from the control switch cover, see figure 2.



Figure 2

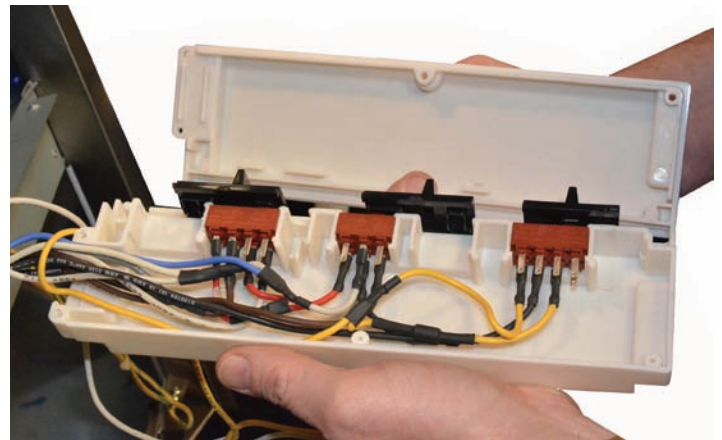



Figure 3

6. Remove and/or replace the switch(es) as needed.

⚠ WARNING



Electrical Shock Hazard
Disconnect power before servicing.
Replace all parts and panels before operating.
Failure to do so can result in death or electrical shock.

To remove the control:

1. Disconnect power from the range hood.
2. Remove the filters.
3. Remove (2) T10 Torx screws that mount the control, see figure 1.



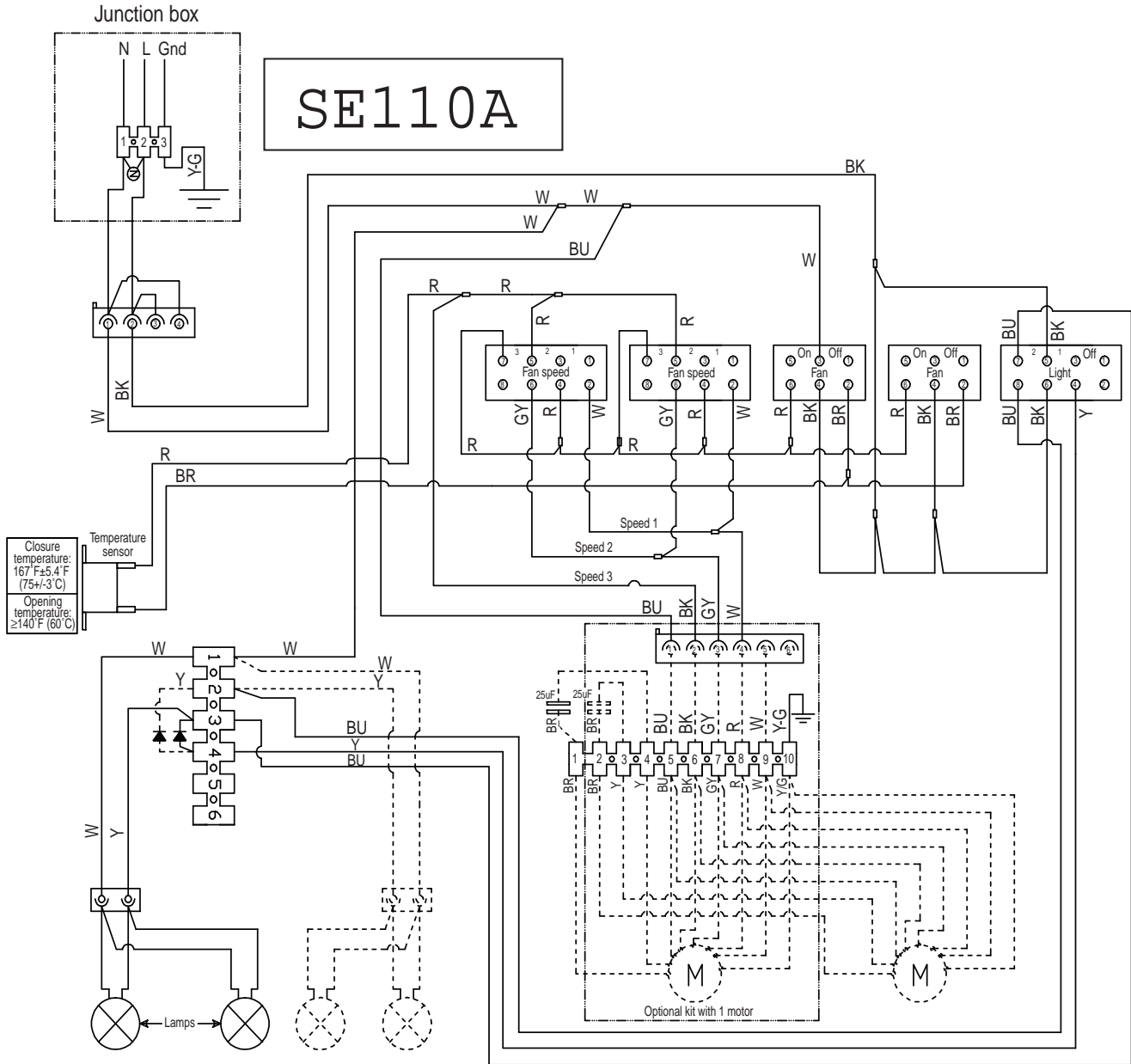
Figure 1

NOTE: Some models may require that a separate blower motor is purchased to meet the installation specifications.

KXI9736YSS, KXI9748YS (continued)

Kitchen Aid

Wiring Diagram



Motor Resistance (Ohms)		
Blue-Red: 18	Blue-White: 21.6 (min.)	Blue-Black: 9.8 (max)
Blue-Gray: 14.3	Room Temp: 73.4°F (23°C)	

Motor Characteristics	
Power supply: 120 VAC	Power absorption: 420 W
Frequency: 60 Hz	Current: 3.7A

Switch operation with button "1-2-3"			
Position	1	2	3
Connection	④—②	④—⑥	⑤—⑦
Action	Speed 1	Speed 2	Speed 3

Switch operation with button "ON-OFF"		
Position	ON	OFF
Connection	④—⑥	④—②
Action	Motor ON	Motor OFF

Switch operation with button "Light"			
Position	OFF	1	2
Connection	④—②	④—⑥	⑤—⑦ ⑥—⑧
Action	Lights Off	Low Intensity	High Intensity

NOTES

In-Line, Internal and External Blower Systems


These are dedicated blowers designed to work with the range hood models listed below. Blower models and mounting locations are determined at the time of installation. Blowers are matched to range hood models based on individual installation requirements.

Range hood models and detecated blower assemblies			
Range Hood Models (requires one of the listed blower models)	Internal Blower Models (inside frame of hood)	In-Line Blower Models (outside the frame of the hood, but in the exhaust vent system)	External Blower Models (outside the house)
KXI9736Y KXI9748Y KXW8730Y KXW8736Y KXW8748Y KXW9736Y KXW9748Y UXL6036Y UXL6048Y	UXB0600D (600 CFM) UXB1200D(1200 CFM)	UXI0600D (600CFM) UXI1200D (1200 CFM)	KPEU722M (600CFM) KPEC922M (1200 CFM)

Internal Blower Systems

UXB0600D, UXB1200D, UXI600D, UXI1200D

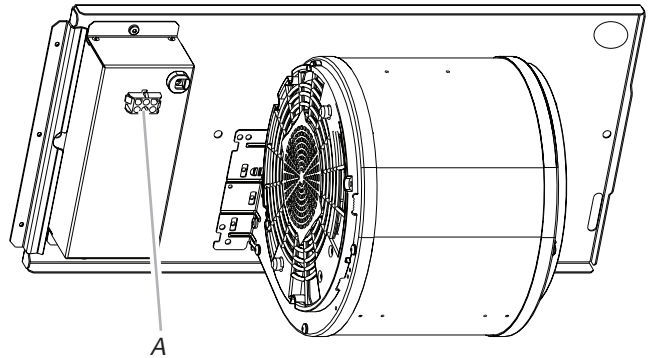
⚠ WARNING



Electrical Shock Hazard
 Disconnect power before servicing.
 Replace all parts and panels before operating.
 Failure to do so can result in death or electrical shock.

Single Internal Blower Motor Assembly

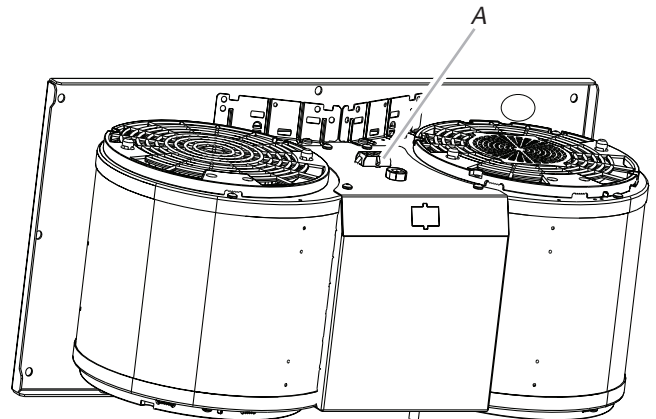
- Disconnect the motor wiring harness from the locations shown for a single or Dual blower motor system. See marked locations "A".



A. Wiring connection

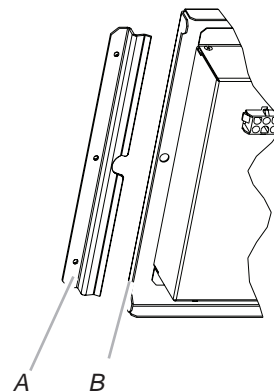
Internal Dual Motor Assembly

Dual Blower Motor Assembly



A. Wiring connection

- Slide the left mounting plate flange from under the motor mounting bracket.



A. Motor mounting bracket
 B. Mounting plate left flange



UXB0600D (600 CFM)



UXB1200D (1200 CFM)

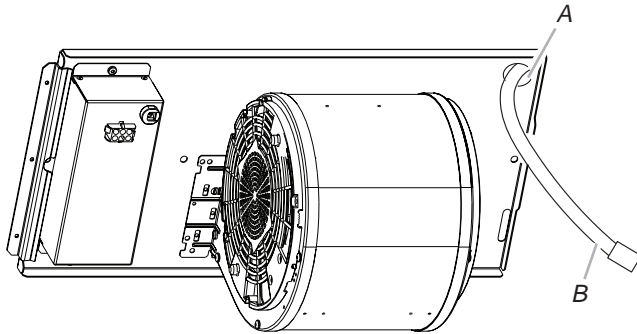
To remove internal blower motor:

- Disconnect power to the range hood.
- Remove the internal blower motor assembly inside the hood liner canopy.

Internal Blower Systems (continued)

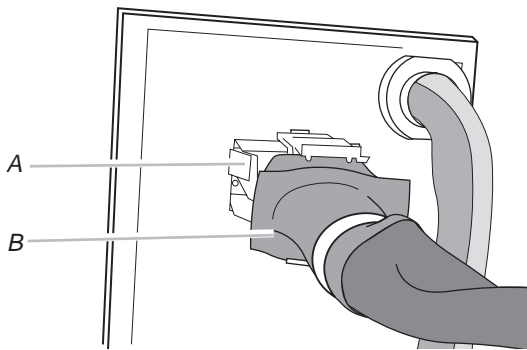
UXB0600D, UXB1200D

5. Remove 6 x 16 mm screws and 6.4 mm lock washers (quantity 2 for single motor; quantity 5 for dual motor).



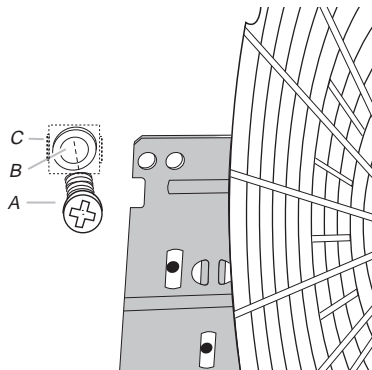
A. Motor mounting plate hole
B. Power supply wires and connector

6. Remove the power supply wires and connector from the range hood through the hole in the right end of the motor mounting plate.



A. Wiring box connector
B. Power supply connector from range hood

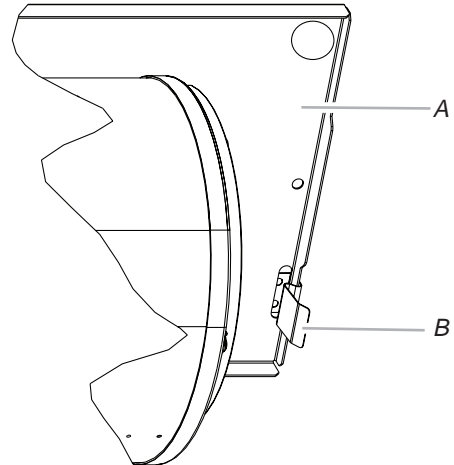
7. Disconnect power cord connector from the range hood to connector on wiring box.



A. Screw with lock washer
B. Mounting hole in motor mounting plate
C. Clip nut (6 mm)

8. Pull the right end of the motor mounting plate down and unsnap it from the spring tab.

NOTE: The spring tab should be outside the slot in the mounting plate.



A. Motor mounting plate
B. Spring clip

In-Line Blower Systems

UXI0600D, UXI1200D

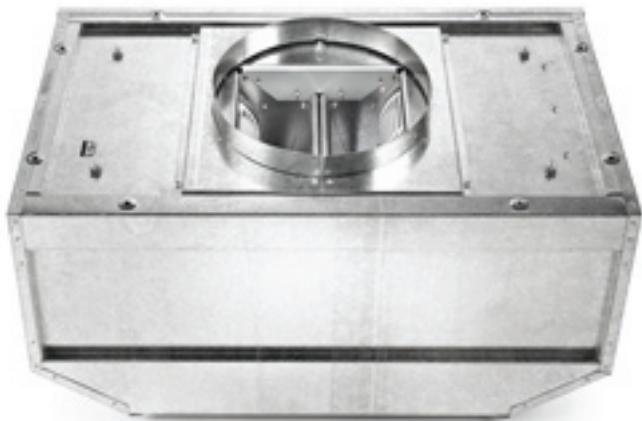
WARNING



Electrical Shock Hazard
Disconnect power before servicing.
Replace all parts and panels before operating.
Failure to do so can result in death or electrical shock.

WARNING

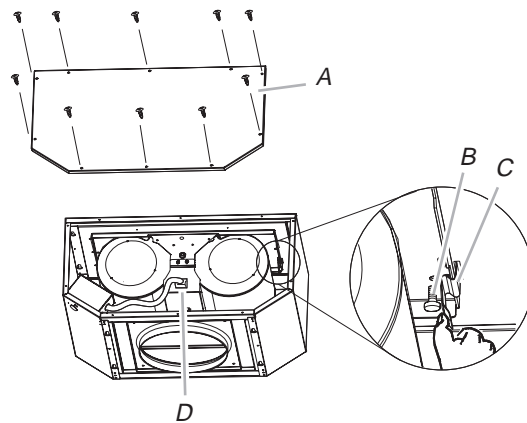
Excessive Weight Hazard
Use two or more people to move and install in-line blower motor system.
Failure to do so can result in back or other injury.



UXI0600D (600CFM), UXI1200D (1200 CFM)

5. Remove the screws that secure the blower motor assembly to the in-line blower housing and set them aside.
6. Pull the spring clip to release the blower motor assembly. Remove the blower motor assembly from the housing and place it on a covered surface.

To Remove In-Line blower system:



- A. Front cover
- B. Blower mounting screws
- C. Spring clip
- D. Bottom housing mounting holes
- E. Motor electrical plug

Removing an In-Line Blower System:

1. Disconnect power to the range hood. Use two or more people, to remove the in-line blower motor system from the mounting location.
2. Remove the 10 screws from the front cover of the in-line blower motor housing.
3. Remove the front cover of the in-line blower motor housing and set it aside.

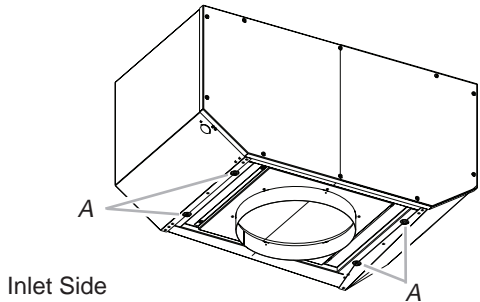
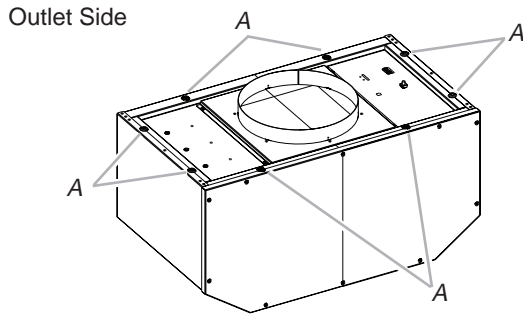
NOTE: To make the blower motor housing easier to remove, the blower motor assembly can be removed first.

4. Disconnect the motor electrical plug from the blower motor assembly.

In-Line Blower Systems (continued)

UXI0600D, UXI1200D

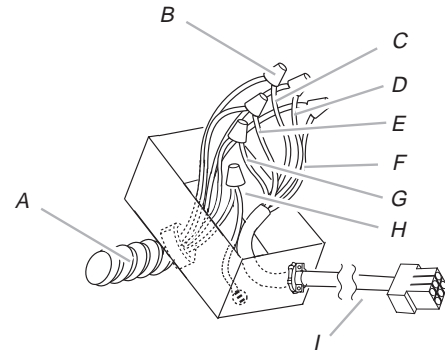
NOTE: The blower motor housing can be mounted using 4 holes from either the inlet side or the outlet side of the blower.



A. Mounting holes

Disconnect Electrical Connections for In-Line Blower Motor System

1. Disconnect power.
2. Disconnect the wires from the wiring conduit leading to the wires from the motor electrical plug cable inside the in-line blower housing terminal box.



- A. UL listed or CSA approved $\frac{1}{2}$ " (1.3 cm) wiring conduit
- B. UL listed wire connectors
- C. Black wires
- D. White wires
- E. Red wires

- F. Blue wires
- G. Gray wires
- H. Green (or yellow/green) and green/yellow wires
- I. Motor electrical plug cable

1. Detach the in-line blower motor housing from the mounting location by removing four 6 x 80 mm mounting screws and washers.

External Blower Systems KPEU722M, KPEC922M

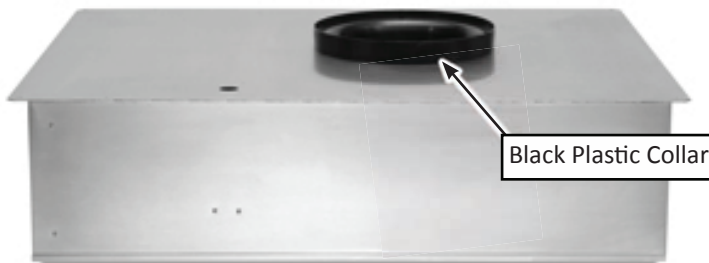
WARNING



Electrical Shock Hazard
Disconnect power before servicing.
Replace all parts and panels before operating.
Failure to do so can result in death or electrical shock.

WARNING

Excessive Weight Hazard
Use two or more people to move and install in-line blower motor system.
Failure to do so can result in back or other injury.



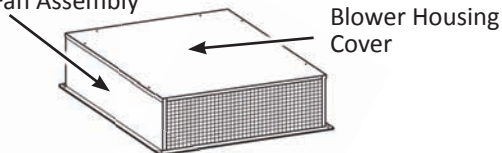
Black Plastic Collar

KPEU722M (600CFM) KPEC922M (1200CFM)

To access the external blower motor:

1. Disconnect the power to the In-Line blower.
2. Remove the blower housing cover.

Motor and Fan Assembly



Blower Housing Cover

3. Disconnect the vent work from the exterior blower's black plastic vent collar and remove duct tape as needed.
4. Remove the wiring box cover and disconnect the 120-volt power supply cable at the strain relief.
5. Remove wire connectors and disconnect the Wiring. (See FIGURE 3 and wiring diagram.)
 - Using twist-on connectors:
 - Disconnect white wires.
 - Disconnect black wires.
 - Disconnect the green power supply wire.

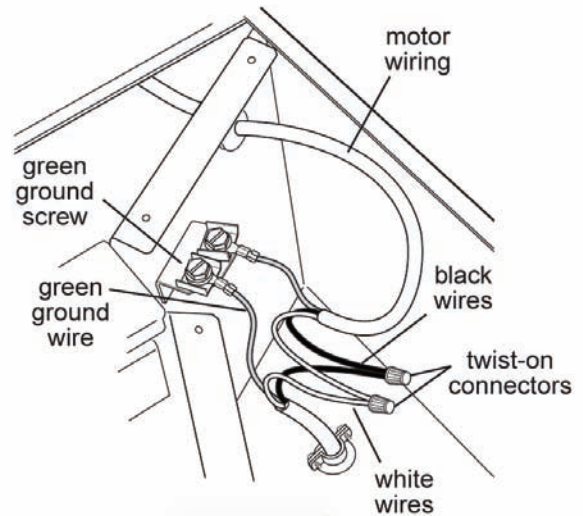
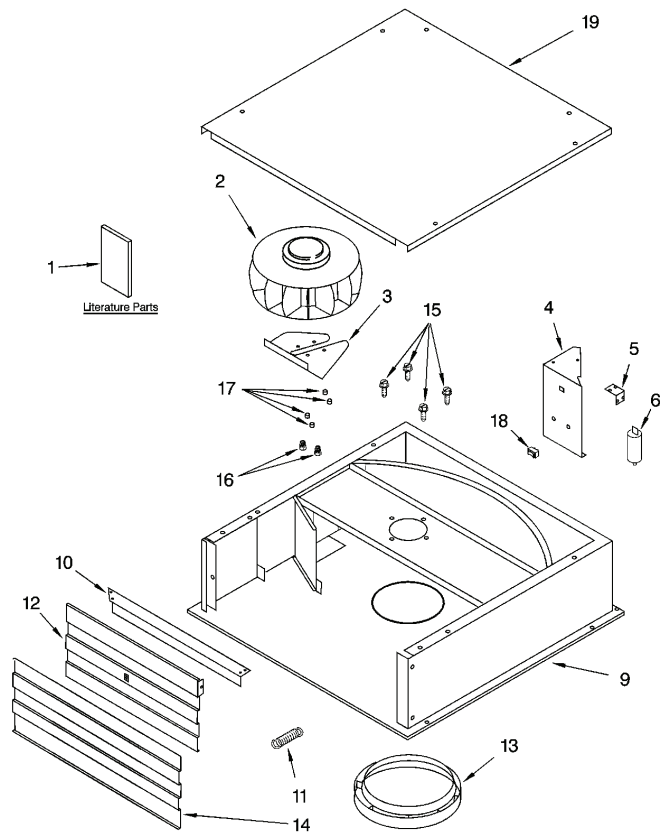


Figure 3

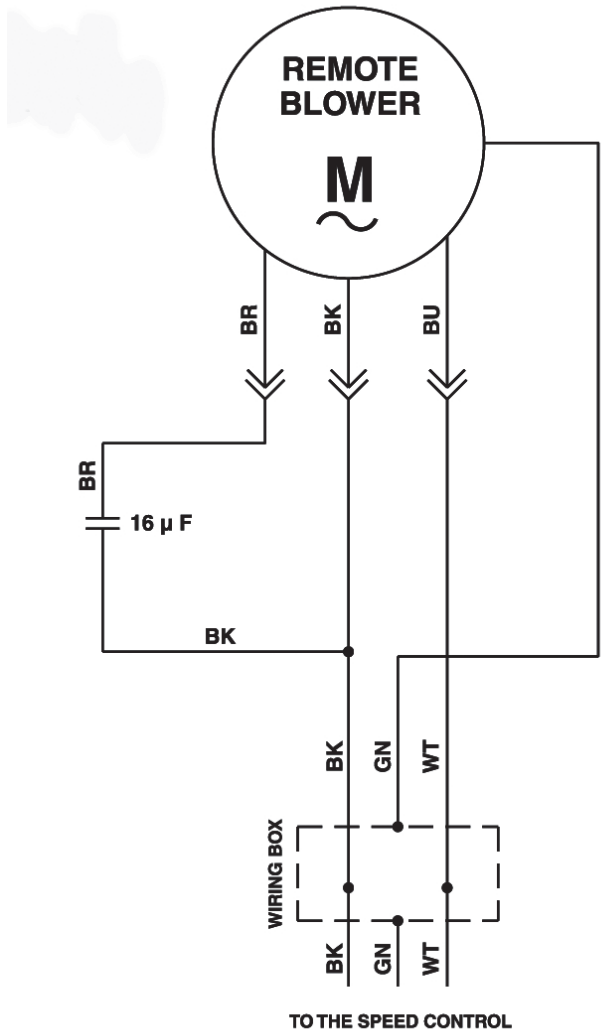
Parts List



External Blower Systems (continued)

KPEU722M, KPEC922M

Wiring Diagram

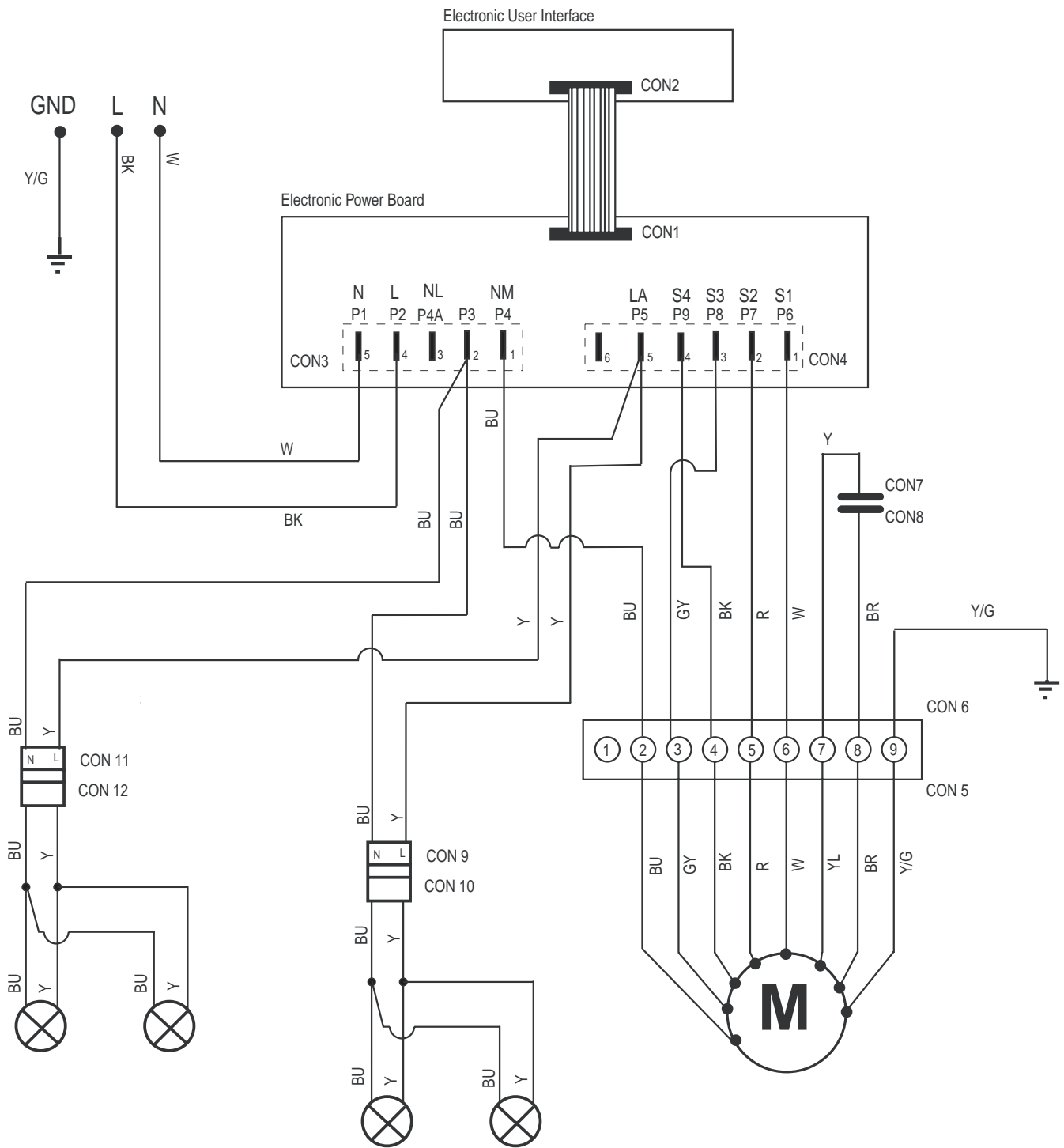


Additional Range Hood Wiring Diagrams

ADDITIONAL RANGE HOOD WIRING DIAGRAMS.	35
JXI8042W, JXI8036W, JXI8242W, JXI8236W Jenn-Air	36
JXW5030WS, JXW5036WS Jenn-Air.	37
JXW6030W, JXW6036W Jenn-Air.	38
JXW8030W, JXW8036W, JXW8042W Jenn-Air	39
JXW8230W, JXW8236W Jenn-Air	40
JXW8836W Jenn-Air	41
JXW9030WS, JXW9036WS, JXW9048WS Jenn-Air	42
KXI9736Y, KXI9748Y.	43
KXU2830Y KitchenAid	44
KXI2536Y, KXI2536Y KitchenAid	45
UXL6048YSS, UXL6036YSS	46
UXG7360VD, UVG73660VD	47

Additional Range Hood Wiring Diagrams (continued)

Models: JX18042W, JX18036W, JX18242W, JX18236W



Additional Range Hood Wiring Diagrams (continued)

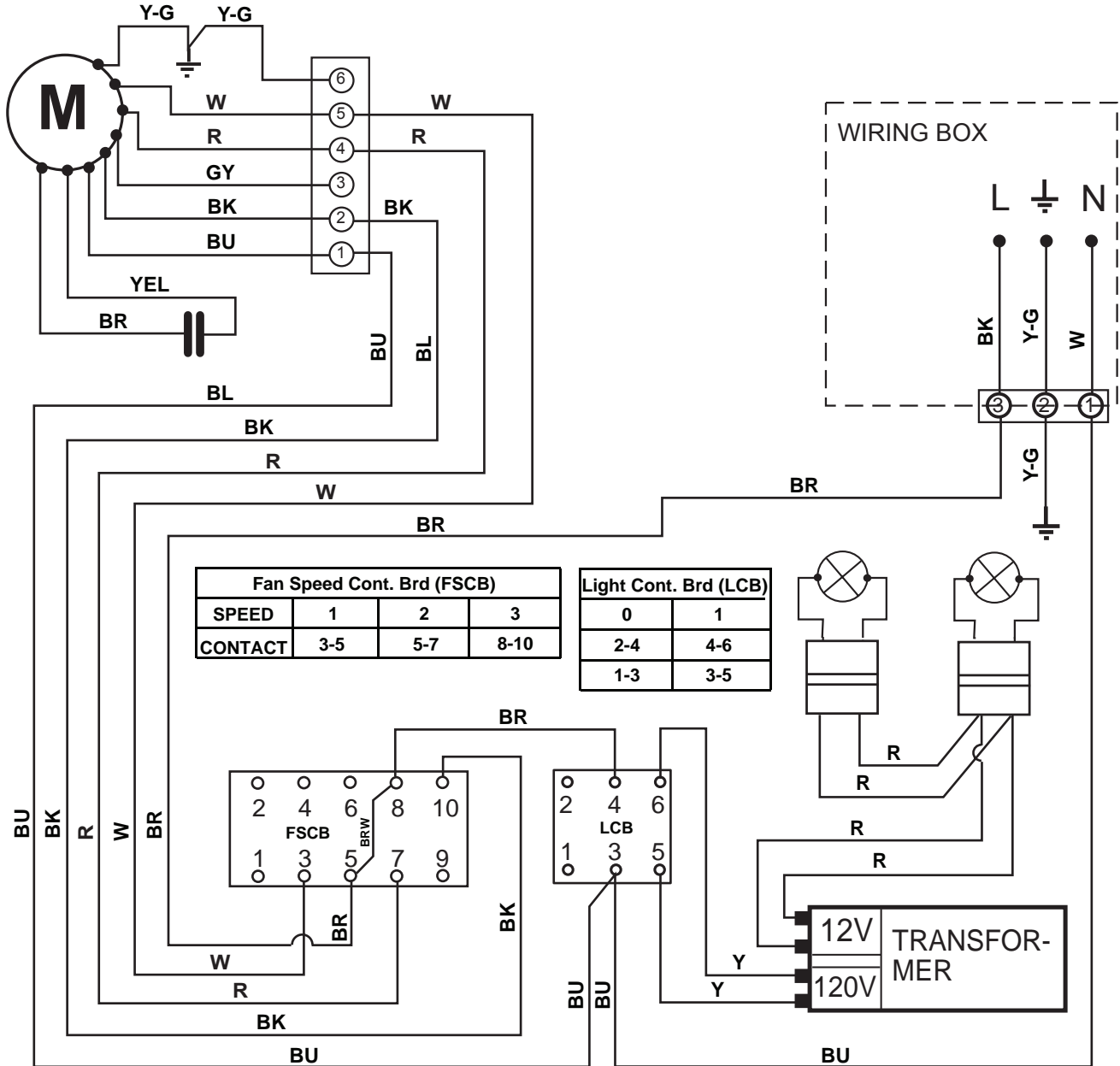
JXW6030W, JXW6036W

Jenn-Air

MOTOR SPEED	CONNECTIONS TO TERMINALS
1	BLUE - WHITE
2	BLUE - RED
3	BLUE - BLACK

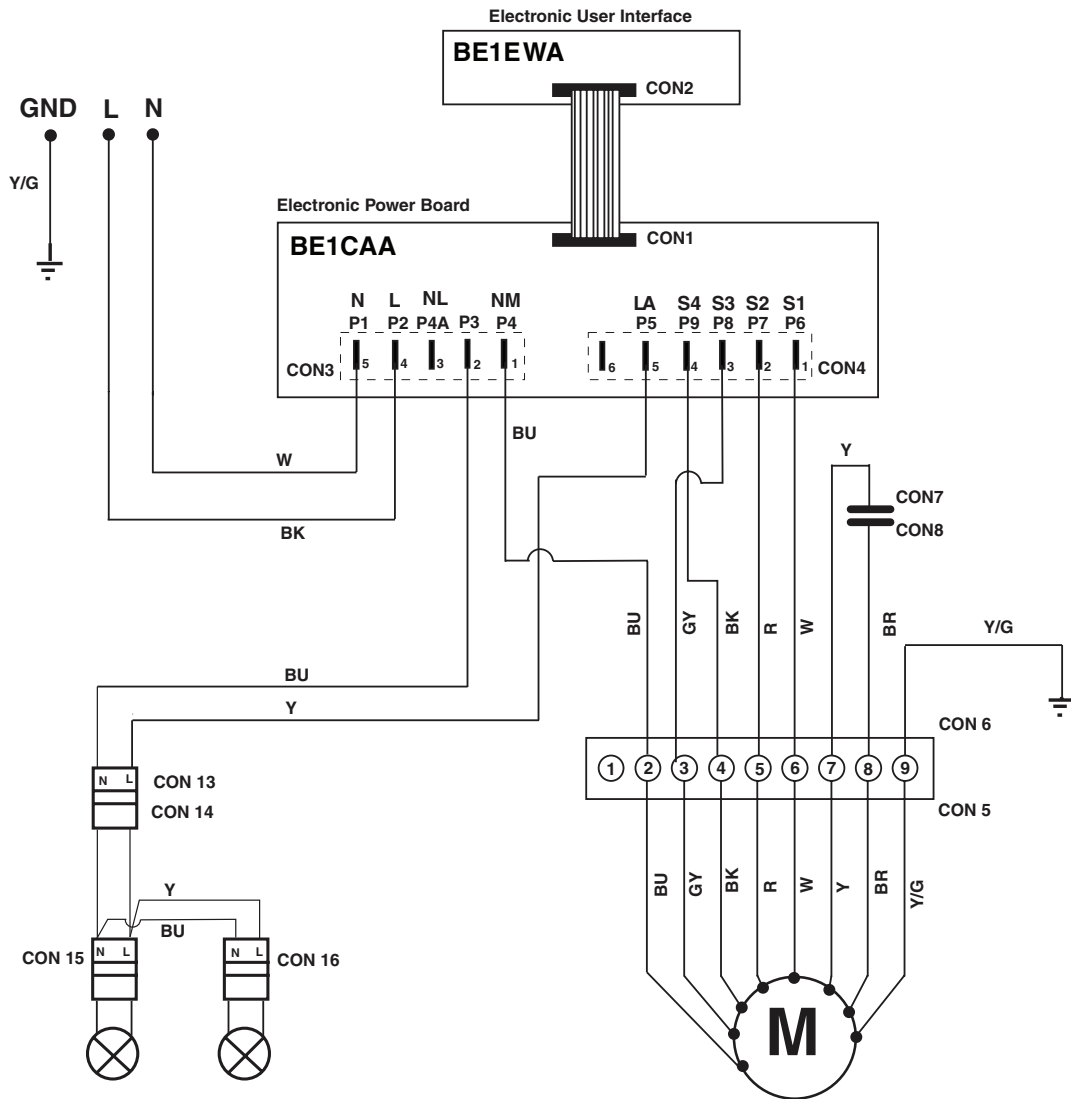
COLOR TABLE		COLOR TABLE	
BK	BLACK	R	RED
BU	BLUE	W	WHITE
BR	BROWN	Y	YELLOW
G	GREEN	Y-G	YELLOW/GREEN
GY	GRAY		

SE1Q7A



Additional Range Hood Wiring Diagrams (continued)

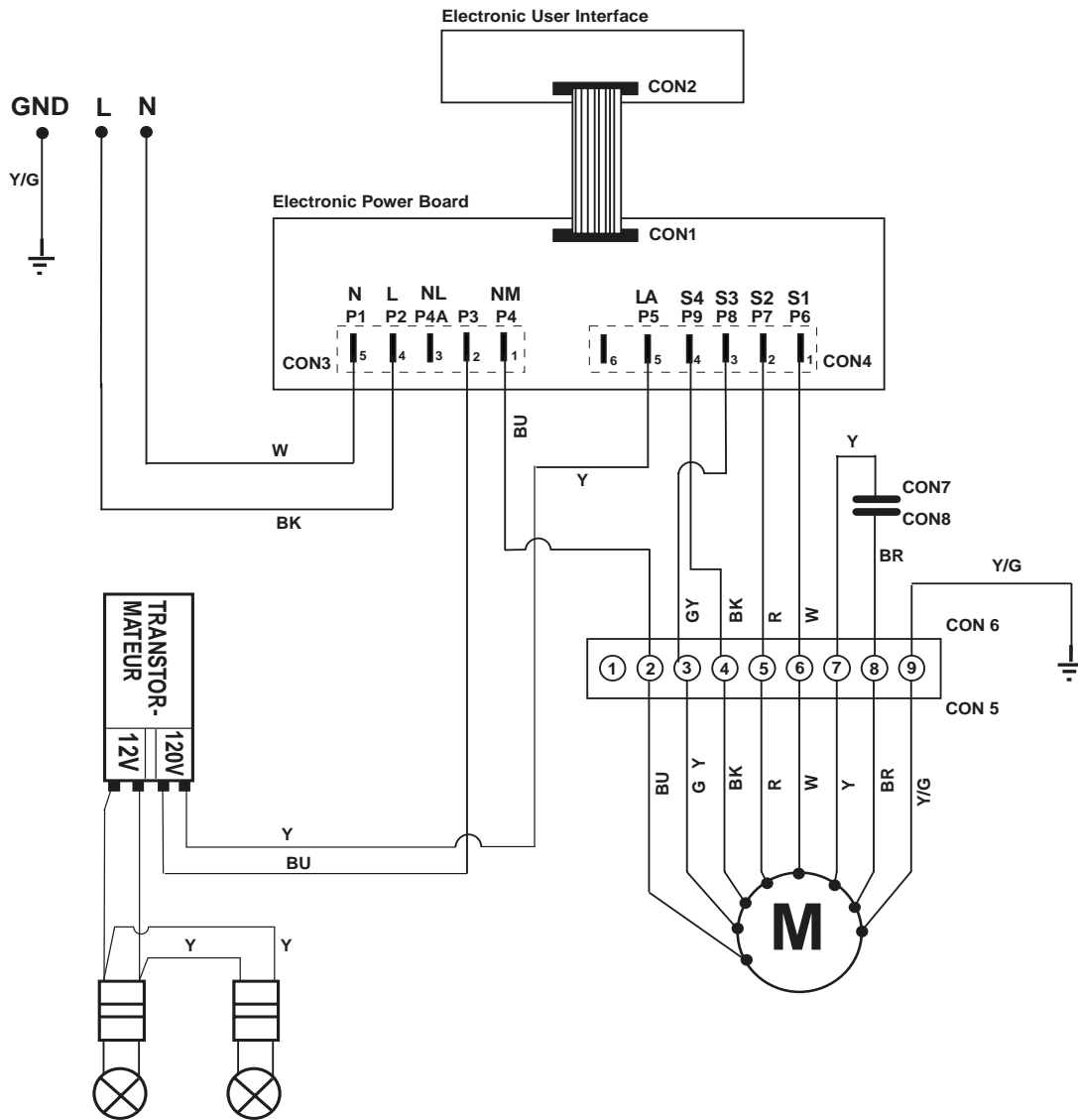
JXW8030W, JXW8036W, JXW8042W Jenn-Air



Additional Range Hood Wiring Diagrams (continued)

JXW8230W, JXW8236W

Jenn-Air

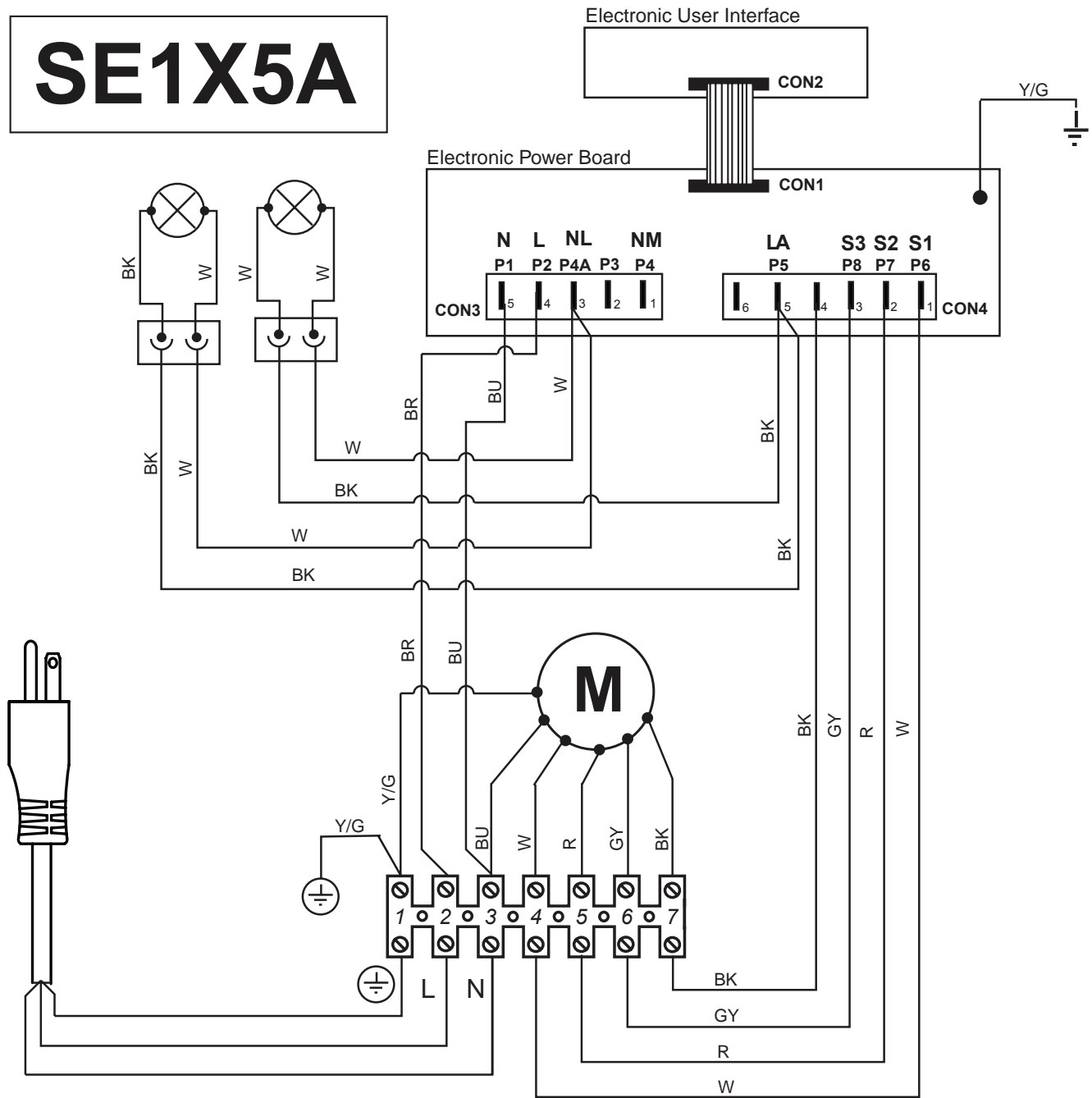


Additional Range Hood Wiring Diagrams (continued)

JXW8836W

Jenn-Air

SE1X5A

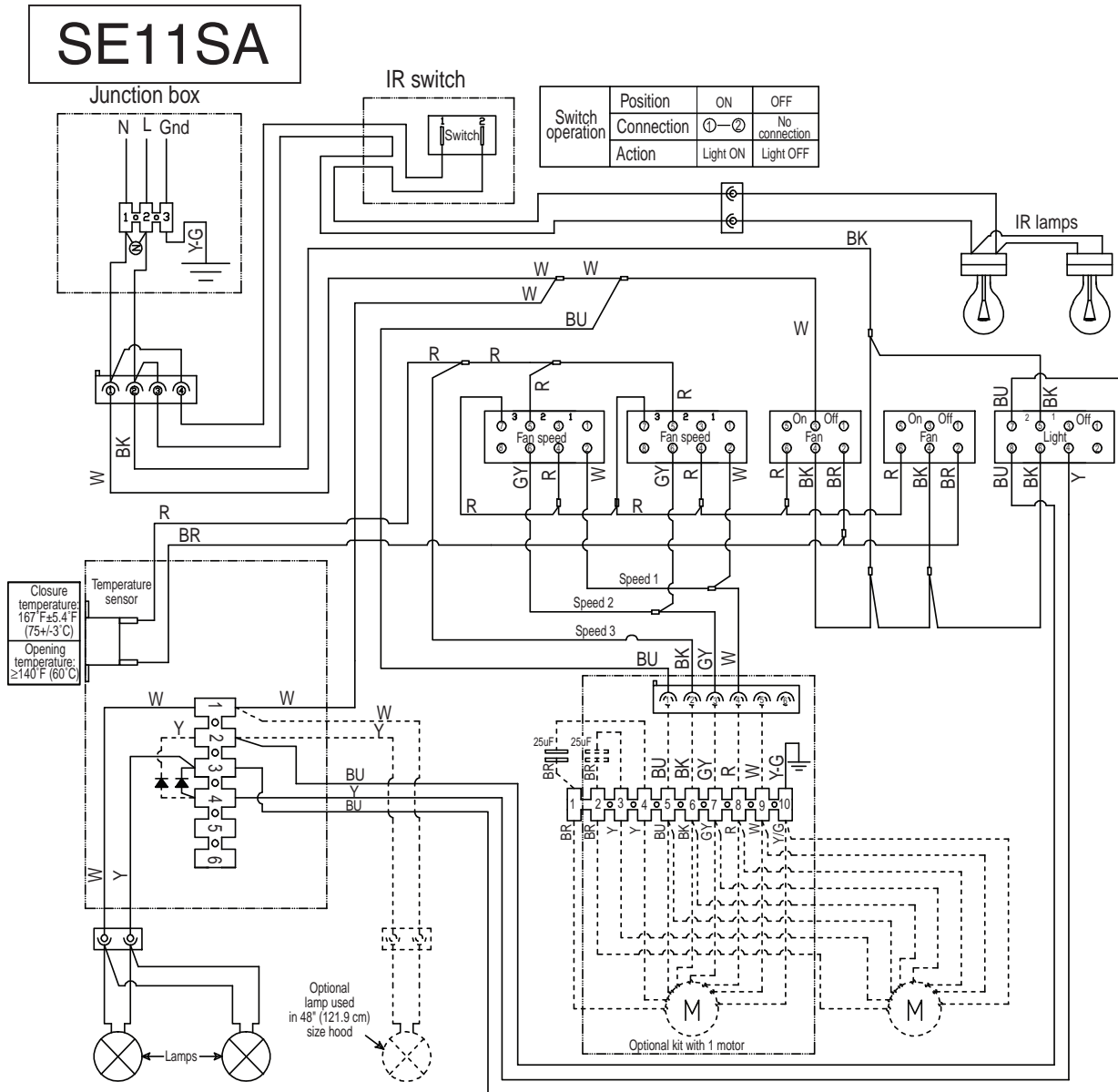


COLOR TABLE		COLOR TABLE	
BK	BLACK	R	RED
BU	BLUE	W	WHITE
BR	BROWN	Y	YELLOW
G	GREEN	Y/G	YELLOW/GREEN
GY	GREY		

Additional Range Hood Wiring Diagrams (continued)

JXW9030WS, JXW9036WS, JXW9048WS

Jenn-Air



Switch operation	Position	ON	OFF
	Connection	①—②	No connection
	Action	Light ON	Light OFF

Closure temperature: 167°F ± 5.4°F (75±3°C)
 Opening temperature: ≥140°F (60°C)

Motor Resistance (Ohms)		
Blue-Red: 18	Blue-White: 21.6 (min.)	Blue-Black: 9.8 (max)
Blue-Gray: 14.3	Room Temp: 73.4°F (23°C)	

Motor Characteristics	
Power supply: 120 VAC	Power absorption: 420 W
Frequency: 60 Hz	Current: 3.7A

Switch operation with button "1-2-3"			
Position	1	2	3
Connection	④—②	④—⑥	⑤—⑦
Action	Speed 1	Speed 2	Speed 3

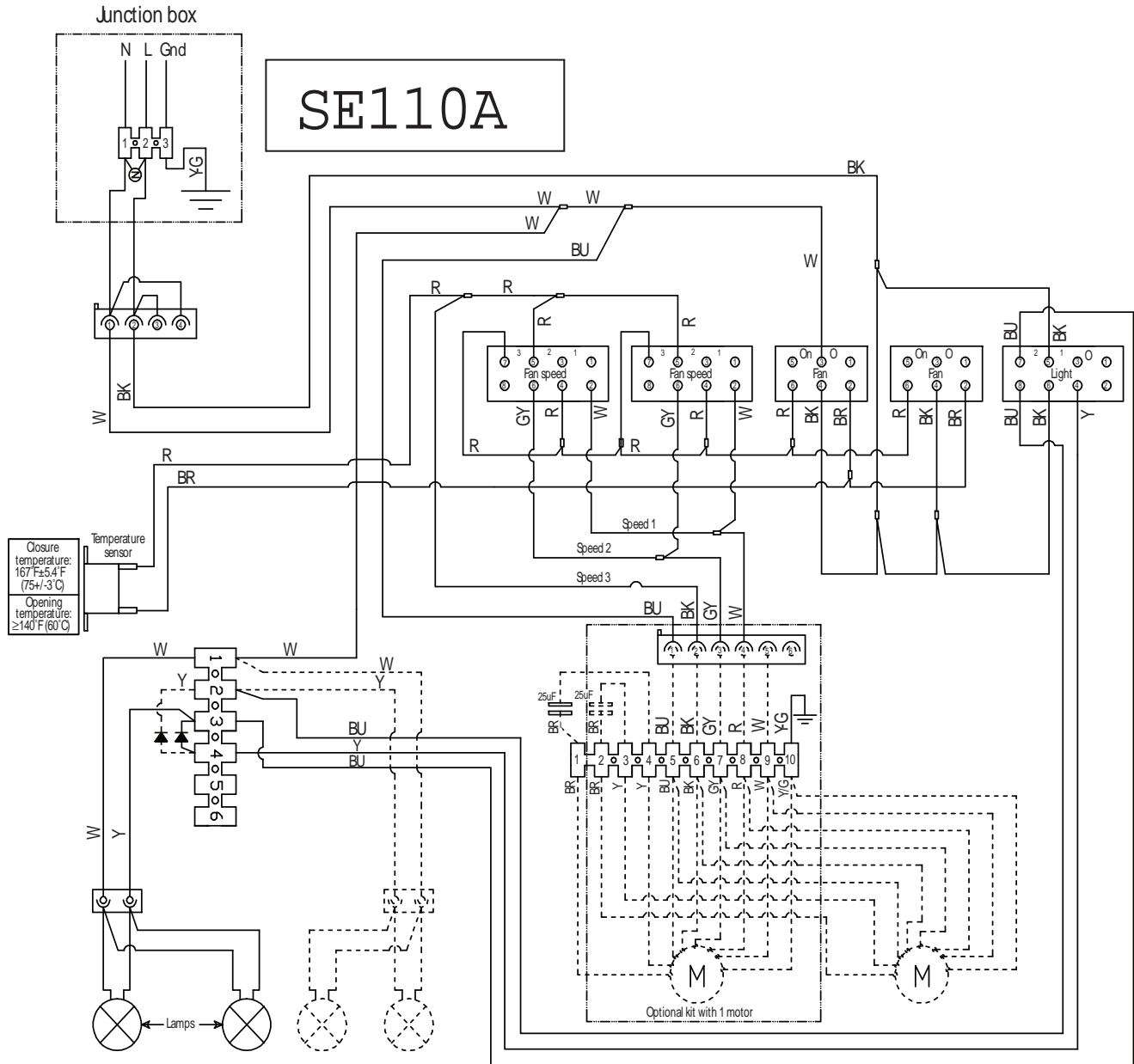
Switch operation with button "ON-OFF"		
Position	ON	OFF
Connection	④—⑥	④—②
Action	Motor ON	Motor OFF

Switch operation with button "Light"			
Position	OFF	1	2
Connection	④—②	④—⑥	⑤—⑦ ⑥—⑧
Action	Lights Off	Low Intensity	High Intensity

Additional Range Hood Wiring Diagrams (continued)

KXI9736Y, KXI9748Y

KitchenAid



Motor Resistance (Ohms)		
Blue-Red: 18	Blue-White: 21.6 (min.)	Blue-Black: 9.8 (max)
Blue-Gray: 14.3	Room Temp: 73.4°F (23°C)	

Motor Characteristics	
Power supply: 120 VAC	Power absorption: 420 W
Frequency: 60 Hz	Current: 3.7A

Switch operation with button "1-2-3"			
Position	1	2	3
Connection	④—②	④—⑥	⑤—⑦
Action	Speed 1	Speed 2	Speed 3

Switch operation with button "ON-OFF"		
Position	ON	OFF
Connection	④—⑥	④—②
Action	Motor ON	Motor OFF

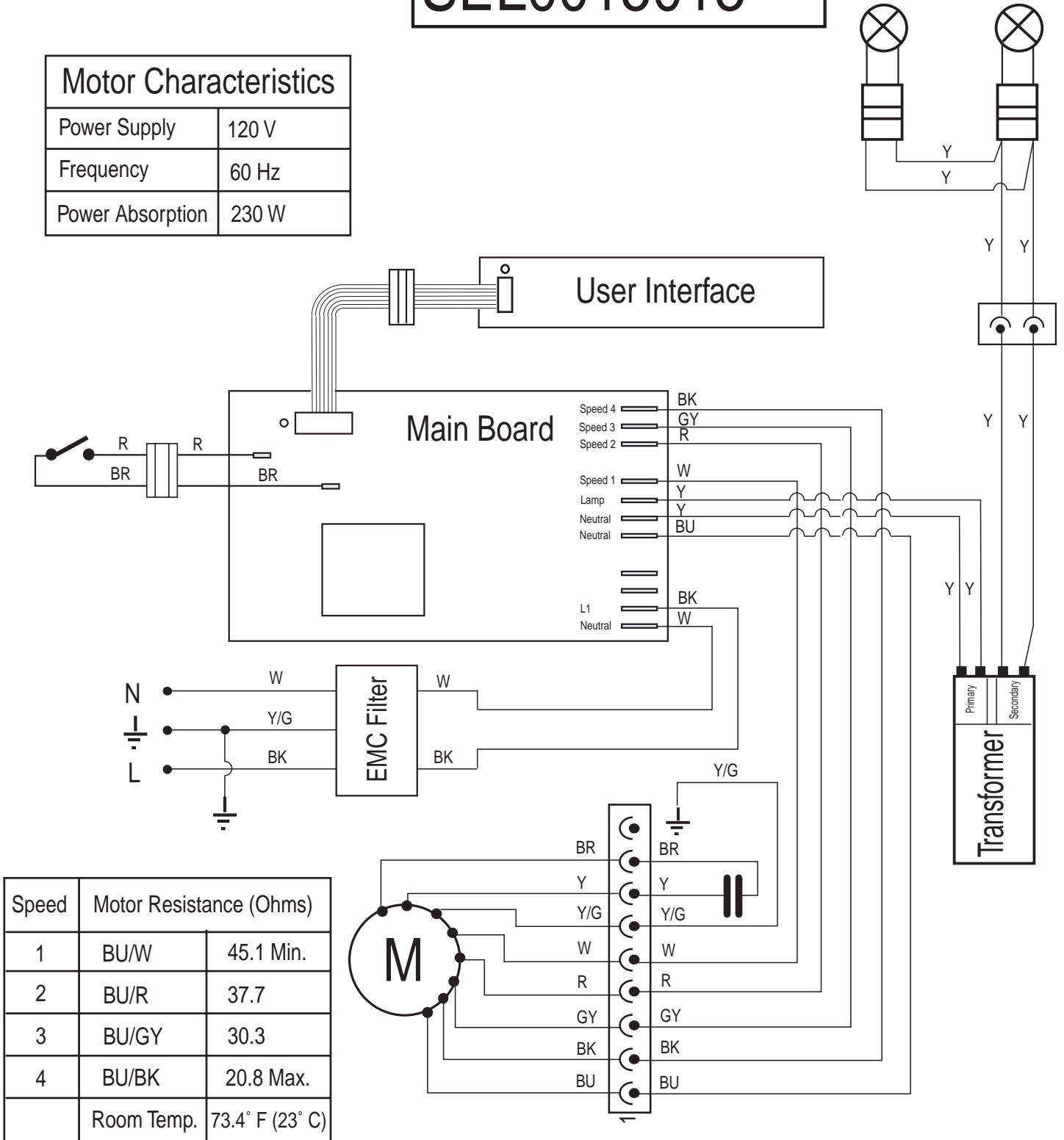
Switch operation with button "Light"			
Position	OFF	1	2
Connection	④—②	④—⑥	⑤—⑦ ⑥—⑧
Action	Lights O	Low Intensity	High Intensity

Additional Range Hood Wiring Diagrams (continued)

KXU2830Y
KitchenAid

SEL0015013

Motor Characteristics	
Power Supply	120 V
Frequency	60 Hz
Power Absorption	230 W



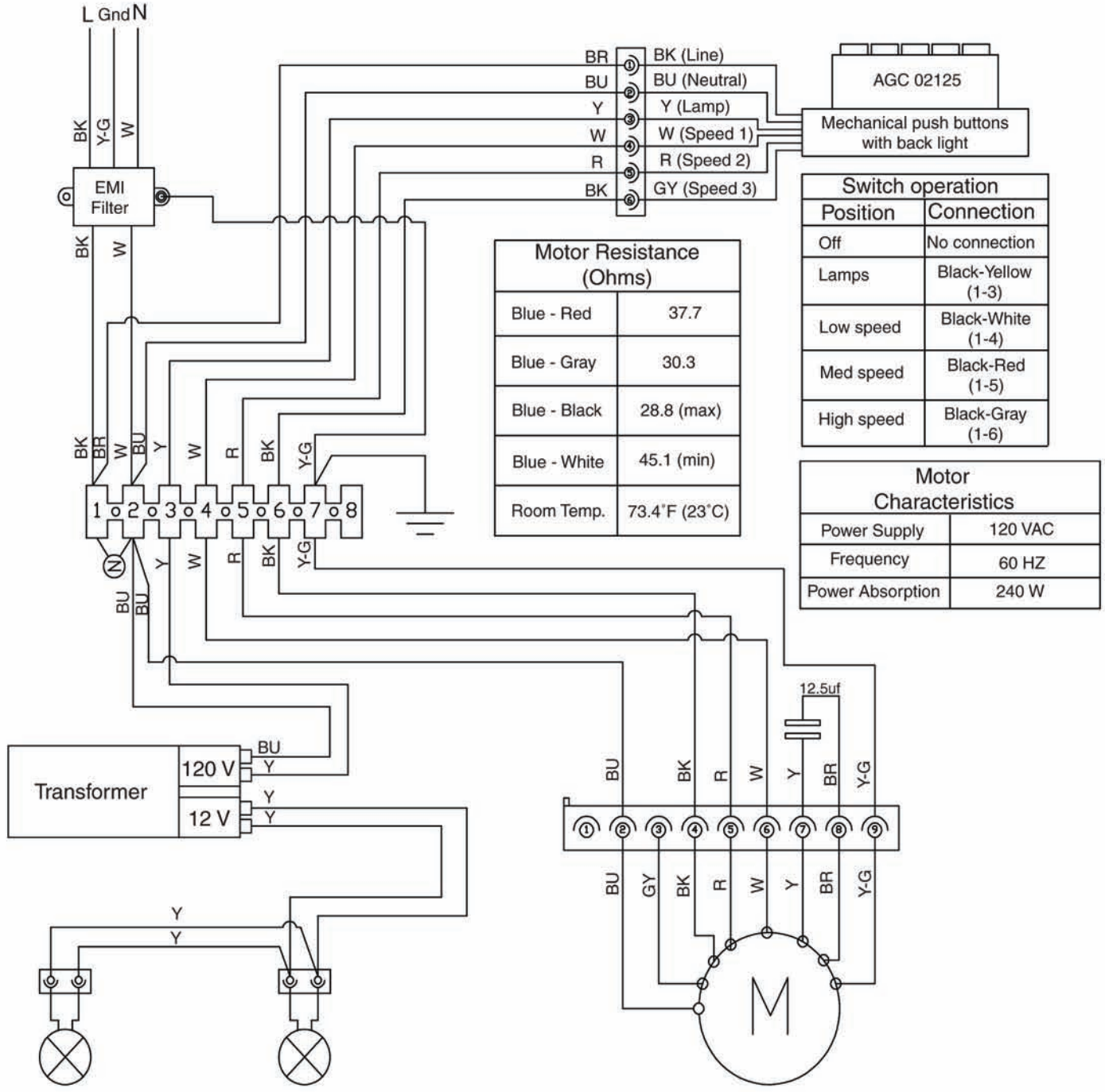
Speed	Motor Resistance (Ohms)	
1	BU/W	45.1 Min.
2	BU/R	37.7
3	BU/GY	30.3
4	BU/BK	20.8 Max.
	Room Temp.	73.4° F (23° C)

Additional Range Hood Wiring Diagrams (continued)

KXW2536Y, KXW2530Y

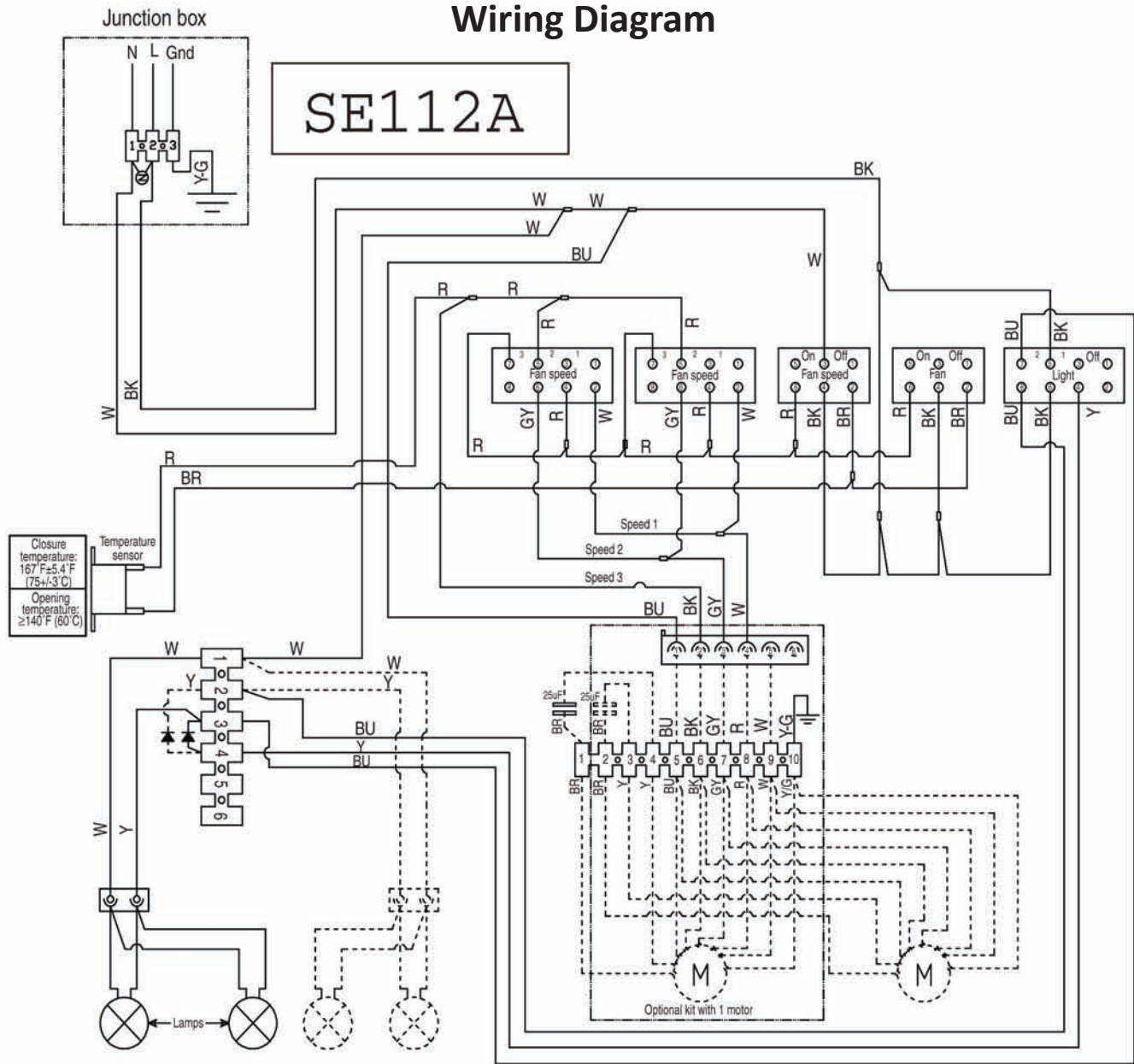
KitchenAid

SE11TA



Additional Range Hood Wiring Diagrams (continued)

UXL6048YSS, UXL6036YSS KitchenAid Wiring Diagram



Motor Resistance (Ohms)		
Blue-Red: 18	Blue-White: 21.6 (min.)	Blue-Black: 9.8 (max)
Blue-Gray: 14.3	Room Temp: 73.4°F (23°C)	

Motor Characteristics	
Power supply: 120 VAC	Power absorption: 420 W
Frequency: 60 Hz	Current: 3.7A

Switch operation with button "1-2-3"			
Position	1	2	3
Connection	④—②	④—⑥	⑤—⑦
Action	Speed 1	Speed 2	Speed 3

Switch operation with button "ON-OFF"		
Position	ON	OFF
Connection	④—⑥	④—②
Action	Motor ON	Motor OFF

Switch operation with button "Light"			
Position	OFF	1	2
Connection	④—②	④—⑥	⑤—⑦ ⑥—⑧
Action	Lights Off	Low Intensity	High Intensity

Additional Range Hood Wiring Diagrams (continued)

UXG7360VD, UVG73660VD KitchenAid Wiring Diagram

