



DIGITAL VIDEO CAMCORDER

Chassis : Omega-II (2.11 Mega Pixel CCD)
VP-D907(I)

PAL

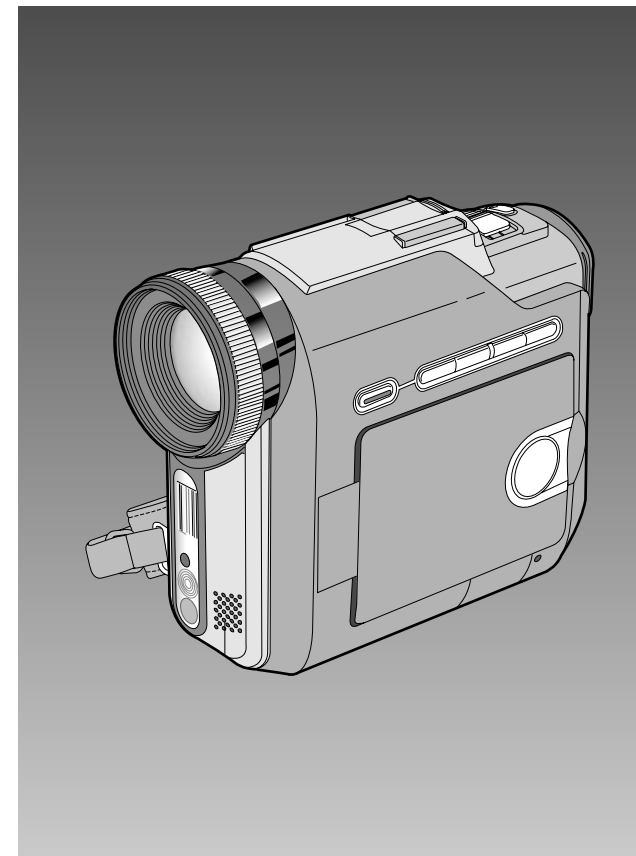
SAMSUNG

SERVICE MANUAL

SERVICE *Manual*

If you want to know additional information which is not included on this Service Manual, please refer to the VP-D907(I) Training Manual (AD82-00083A).

DIGITAL VIDEO CAMCORDER



CONTENTS

1. Precautions
2. Alignment and Adjustments
3. Exploded View and Parts List
4. Electrical Parts List
5. Block Diagram
6. PCB Diagrams
7. Schematic Diagrams



VP-D907(I)

This Service Manual is a property of Samsung Electronics Co., Ltd.
Any unauthorized use of Manual can be punished under applicable
International and/or domestic law.

© Samsung Electronics Co., Ltd. **AUG. 2004**
Printed in Korea
AD82-00082A