

---

## 6. Exploded View and Parts List

---

<b>6-1 Cabinet Assembly</b>	-----	<b>6-2</b>
<b>6-2 VCR Mechanical Parts (Top Side)</b>	-----	<b>6-4</b>
<b>6-3 VCR Mechanical Parts (Bottom Side)</b>	-----	<b>6-6</b>
<b>6-4 DVD Mechanical Parts</b>	-----	<b>6-8</b>



Loc. No	Parts No.	Description ; Specification	Remark
1	<b>Refer to table 6-1 below</b>	ASSY-PANEL FRONT;	
2	AC97-01271B	ASSY-DOOR TRAY;ABS94HB,SV-DVD2E/XEF,SILV	
12	AC64-42114A	DECORATION-LEG;SV-4500W,ABS94,HB,-,D/GRY	
13	AH61-00303A	HOLDER-CORD POWER;- ,ABS 94HB,-,BLK,-,DVD	
21	<b>Refer to table 6-1 below</b>	DOOR-CASSETTE;	
22	AC61-62032A	SPRING-MASK;X-9,-,SUS,-,4.4,-,SV-C130	
100	AH97-00714D	ASSY-DVD DECK;DP-7,2LD,COMBO2(MILLENO)	
101	AC64-00429C	CABINET TOP;SV-DVD1E,PCM(SECC),TO.6,-,-,	
153	AC60-12126A	SCREW-BH;-,-,FE,FZY,BH,-,-,4*12,-,-	
155	6003-000275	SCREW-TAPTITE;BH,+ ,B,M3,L10,BLK ,SWCH101	
157	AC60-10063A	SCREW-TAPTITE;-,-,L12,ZPC3,+,-,M3,-,SWRC	
200	AC39-10019A	POWER CORD;KKP-419C,H03VVH2-F,VDE/KEMA-K	
601	<b>Refer to table 6-1 below</b>	ASSY PCB-VCR MAIN;	
602	AC92-01069A	ASSY OPT PCB-SMPS;SV-DVD2E/XEF,SMPS	
603	<b>Refer to table 6-2 below</b>	ASSY PCB-DVD MAIN;	
701	AC92-01068A	ASSY OPT PCB-TIMER;SV-DVD2E/XEF,TIMER	
702	3711-003460	CONNECTOR-HEADER;NOWALL,20P,1R,1.5mm,STR	
CN3A1B	3809-001206	CABLE-FLAT;30V,-20to+80C,140mm,6P,1.25mm	
CN602B	3809-001131	CABLE-FLAT;30V,80C,110MM,7P,1.25MM,UL289	
CN8A	3809-001264	CABLE-FLAT;30V,80C,260MM,35P,1.25MM,UL28	
LD601A	AC61-21009A	HOLDER-LED;- ,POM(M90-44)-,BLK,-,X-9	
S601A	AC61-00229A	HOLDER-SENSOR;SCORPIO2,ABS,-,-,-,BLACK,-	
S602A	AC61-00229A	HOLDER-SENSOR;SCORPIO2,ABS,-,-,-,BLACK,-	
UT01	AC59-00022C	REMOCON-ASSY;SV-DVD1E,-,-,-,-,-,-,MU	

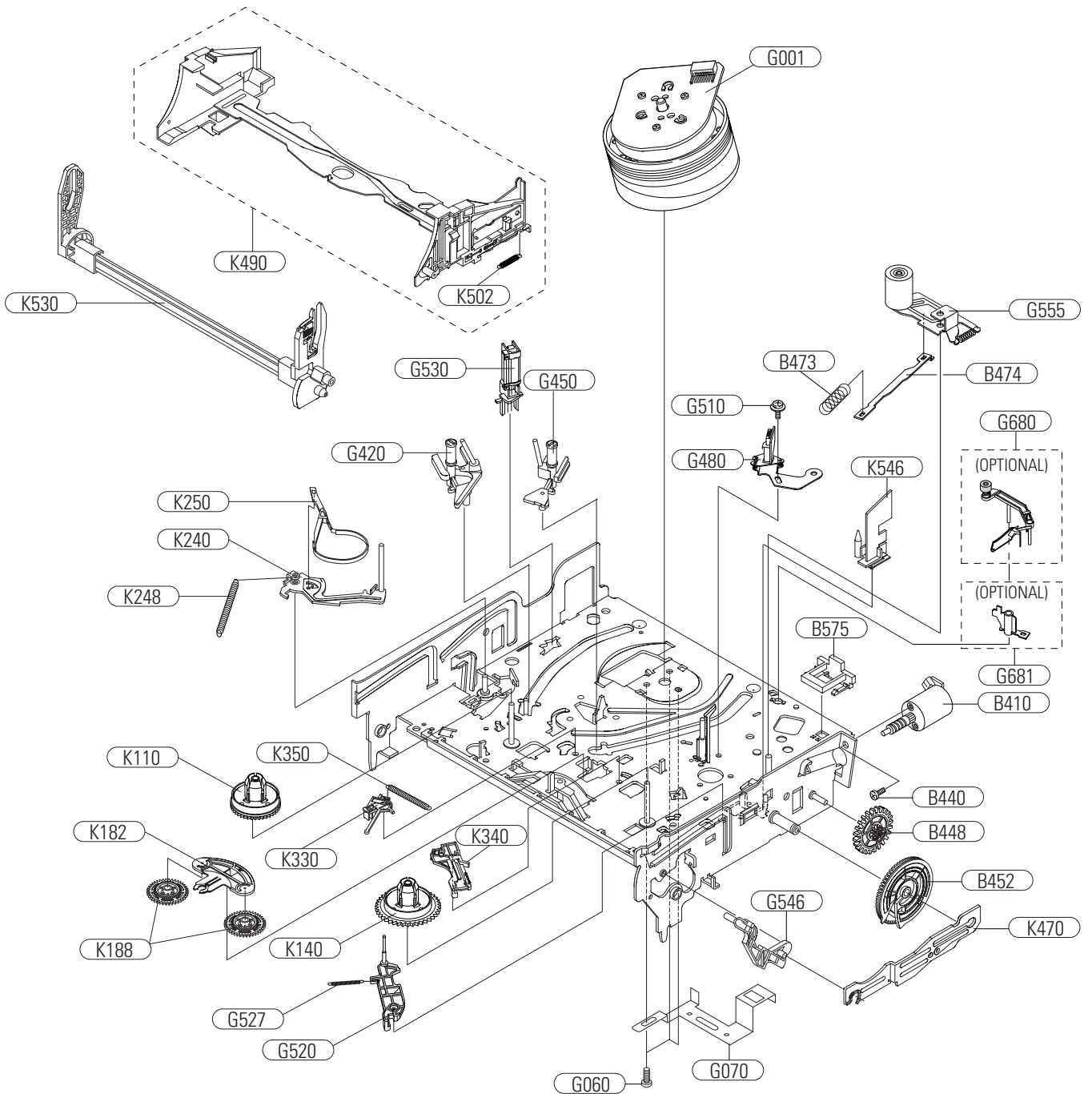
&lt;Table 6-1&gt;

COUNTRY	1	21	601
COMMON	AC97-01738B	AC64-00923B	AC92-01089A
FRANCE/SWITZERLAND	AC97-01738A	AC64-00923A	AC92-01067A
RUSSIA	AC97-01738A	AC64-00923A	AC92-01089A
ITALY	AC97-01738C	AC64-00923C	AC92-01089A

&lt;Table 6-2&gt;

REGIONAL NO.	603
2	AH92-01337A
5	AH92-01389A

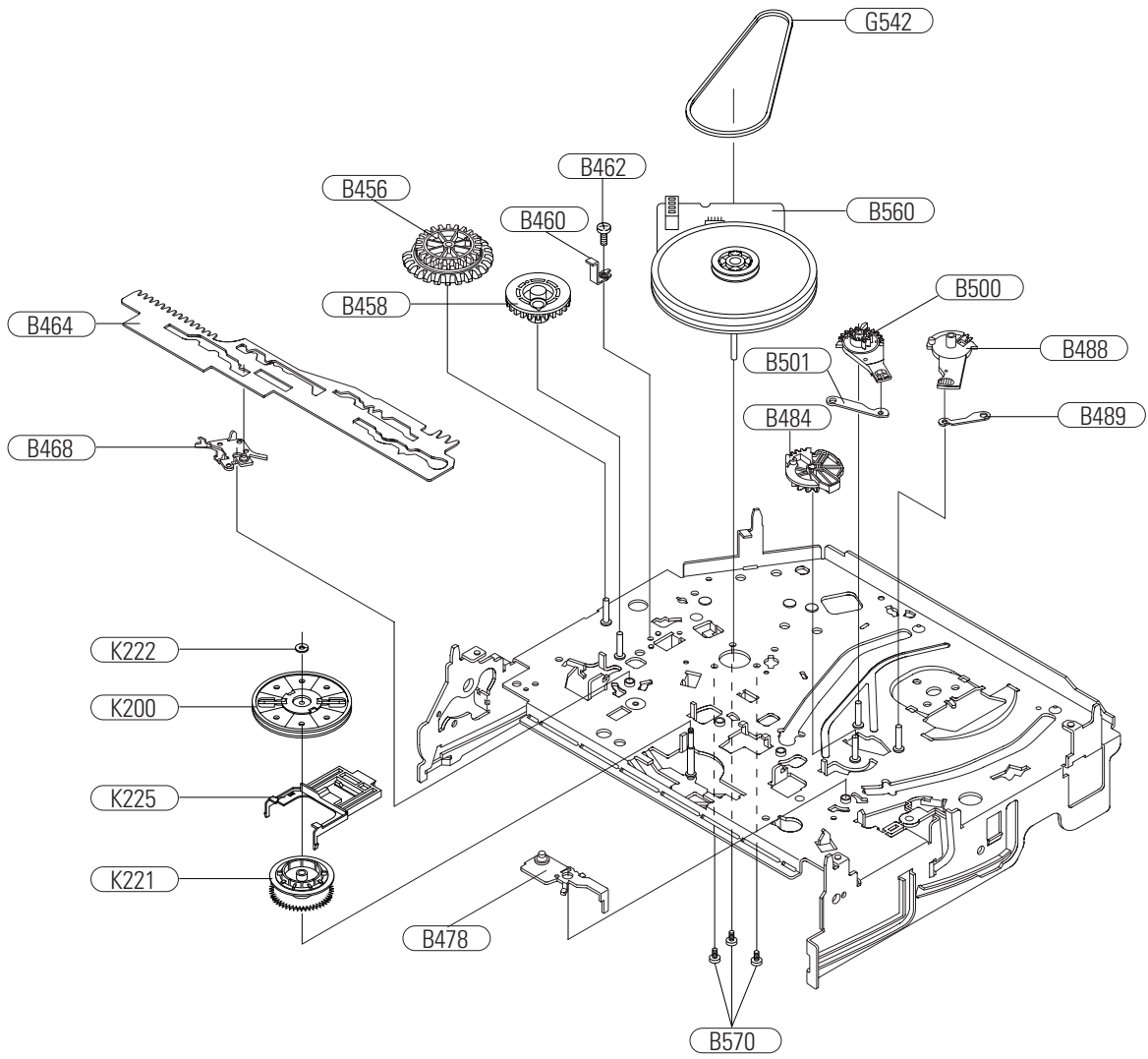
## 6-2 VCR Mechanical Parts (Top Side)



Loc. No	Parts No.	Description ; Specification	Remark
B410	AC31-00012A	MOTOR-LOADING ASSY;-TS-10,-,-,-,-,-,-,-	
B440	AC60-10515A	SCREW-MACHINE;-,-,M3,L3,PH,+,-,-,ZPC,-	
B448	AC66-00008A	GEAR-WORM WHEEL;TS-10,POM,0.8,40,-,NAT,3	
B452	AC66-00011A	GEAR-FL CAM;TS-10,POM,0.8,59,-,BLK,48.48	
B473	AC61-00105A	SPRING-PINCH DRIVE;TS-10,SUS304-WPB,-,-,-	
B474	AC61-30180A	PLATE-JOINT;X-9,SECC20/20,T0.8,-,-,-,-	
B575	AC47-00002A	DAMPER-CAPSTAN;TS-10,POM,-,-,BLACK	
G001	AC97-01352A	ASSY-CYLINDER;SECAM,CTS10,6HD	
G060	6006-001092	SCREW-ASS'Y MACH;WS,PH,+M3.0,L6.0,ZPC(Y	
G070	AC61-00161A	PLATE-GROUND DECK;TS-10,SPT,TO.3,-,-,-,-	
G420	AC66-80142A	SLIDER-SUPPLY ASSY;-X-9(TS),-,-,-,-X-9	
G450	AC66-80141A	SLIDER-TAKE UP ASSY;-X-9(TS),-,-,-,-X-9	
G480	AC33-00009A	HEAD-ACE ASS'Y;-PPS,TS-10,-,-	
G510	6006-001075	SCREW-ASS'Y TAPT;WSP,PH,+M2.6,L5.0,ZPC(	
G520	AC66-00033A	LEVER-#9 GUIDE ASS'Y;TS-10,-,-,-,-,-,-	
G527	AC61-60553A	SPRING-#9 GUIDE;-ES,SUS304-WPB,OD3.1,0.	
G530	AC33-00007A	HEAD-FE;-,-,HVHFOO43A,-,-	
G542	AC66-60051A	BELT-PULLEY;X-9,5CM-70,2 * 2,71.3,-,-,-,-	
G546	AC66-00005A	LEVER-FL DOOR;TS-10,POM,-,-,-,-,NAT,-	
G555	AC66-00032A	LEVER-UNIT PINCH ASS'Y;TS-10,-,-,-,-,-,-	
G680	AC66-00046A	LEVER-HEAD CLEANER ASS'Y;TS-10,POM+URETH	(OPTIONAL)
G681	AC61-50686A	SLEEVE-HEAD CLEANER;-POM,-,-,-,-,-,-,TS	(OPTIONAL)
K110	AC66-10267A	REEL-DISK S;X-9,POM,-,-,-,-,-,-	
K140	AC66-10268A	REEL-DISK T;X-9,POM,-,-,-,-,-,-	
K182	AC66-30524A	LEVER-IDLER;-POM,-,-,-,-,-,-	
K188	AC66-00039A	GEAR-IDLE;TS-10,PET K3372,0.5,-,-,NTR,28	
K240	AC66-00035A	LEVER-TENSION ASS'Y;TS-10,SECC E20/20+SU	
K248	AC61-00107A	SPRING-TENSION LEVER;TS-10,SUS304-WPB,-,-	
K250	AC69-00104A	BAND-BRAKE ASS'Y;TS-10,-,-,-,-,-,-	
K330	AC66-30550A	LEVER-S.BRAKE ASSY;-POM+SUS,-,-,-,-X-9	
K340	AC66-30549A	LEVER-T.BRAKE ASSY;-POM+SUS,-,-,-,-X-9	
K350	AC61-00106A	SPRING-BRAKE;TS-10,SUS304-WPB,-,-,-,-,-	
K470	AC66-00020A	SLIDER-FL DRIVE;TS-10,SECC E20/20,1.0,-,-	
K490	AC61-00120A	HOLDER-FL CASS. ASS'Y;TS-10,-,-,-,-,-,-	
K502	AC61-60561A	SPRING-FL.LEVER-LR;-ES,SUS304 WPB,PI2.7	
K530	AC66-00034A	LEVER-FL ARM ASS'Y;TS-10,-,-,-,-,-,-	
K546	AC61-50658A	GUIDE-CASS. DOOR;X-9,POM,-,-,-,-,NTR	

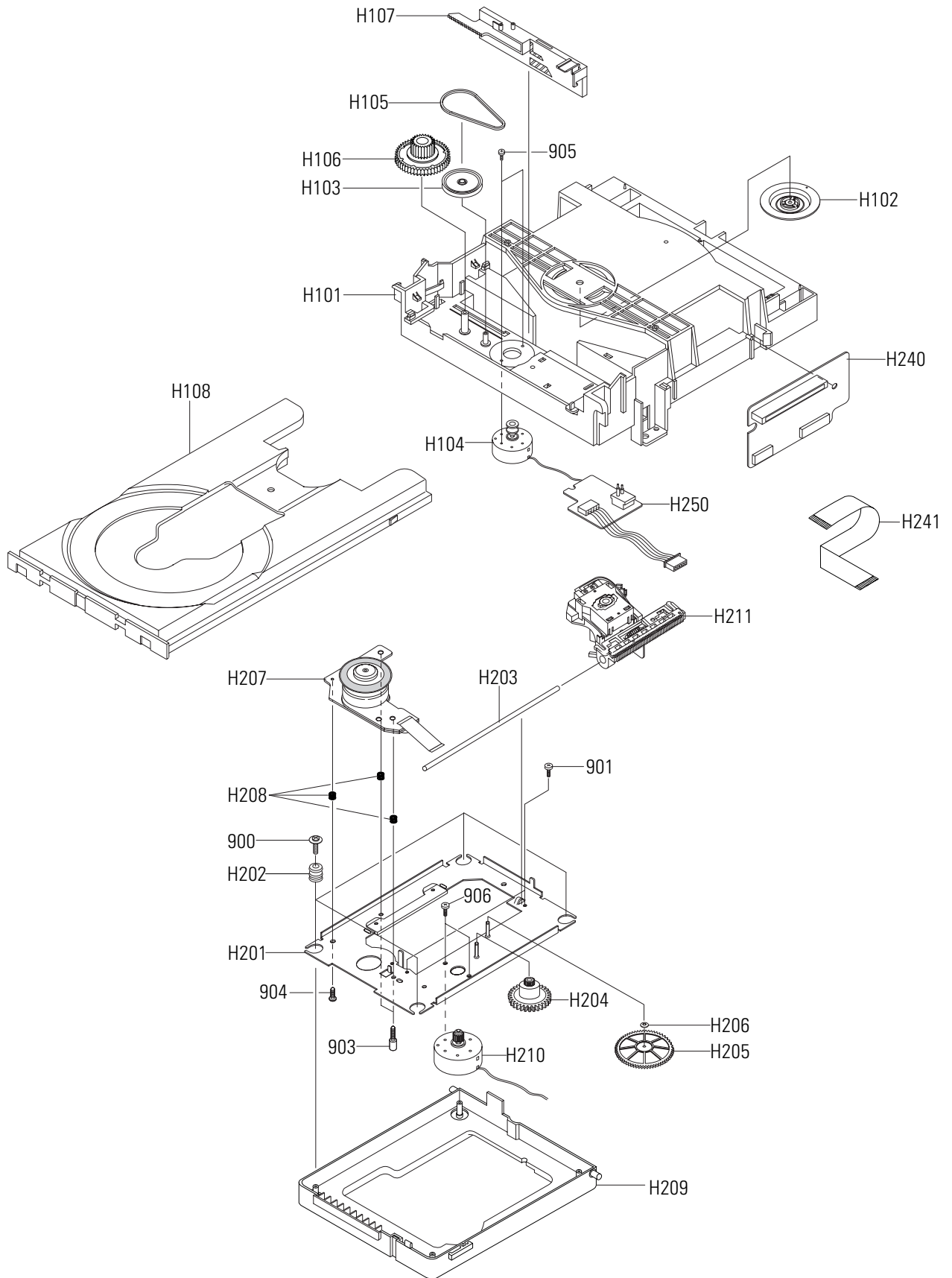
### 6-3 VCR Mechanical Parts (Bottom Side)

---



Loc. No	Parts No.	Description ; Specification	Remark
B456	AC66-00009A	GEAR-JOINT 1;TS-10,POM,1.5,17.5(22),-,NA	
B458	AC66-00012A	GEAR-JOINT 2;TS-10,POM,1.0,23,-,BLK,24.6	
B460	AC61-00090A	BRACKET-GEAR;TS-10,SECC E20/20,0.8,-,-,-	
B462	AC60-10517A	SCREW-TAP TITE;-,-,M2.6,L5,PH,+,-,-,ZPC,	
B464	AC66-00019A	SLIDER-CAM;TS-10,SECC E20/20,1.2,-,-,-,-	
B468	AC66-00017A	LEVER-PINCH DRIVE;TS-10,SECC E20/20,1.0	
B478	AC66-00016A	LEVER-TENSION DRIVE;TS-10,SECC E20/20,1	
B484	AC66-00030A	GEAR-LOADING DR. ASS'Y;TS-10,POM+SWPB,-,	
B488	AC66-00023A	LEVER-S LOADING;TS-10,POM,-,-,-,-,NAT,-	
B489	AC66-00021A	LINK-LOADING S;TS-10,SECC E20/20,0.8,-,-	
B500	AC66-00024A	LEVER-T LOADING;TS-10,POM,-,-,-,-,NAT,-	
B501	AC66-00022A	LINK-LOADING T;TS-10,SECC E20/20,0.8,-,-	
B560	AC31-00010A	MOTOR-CAPSTAN;-,-,SANKYO,-,-	
B570	AC60-10514A	SCREW-CAPSTAN;-,-,M2.6,L6,PH,+,-,-,-,-	
K200	AC61-21012A	HOLDER-CLUTCH ASSY;-,-,-,-,-,X-9	
K221	AC66-20581A	GEAR-CENTER ASSY;-,-,POM,M=0.5,-,-,HIGHT T.,	
K222	AC60-30306A	WASHER-SLIT;-,-,ID2.1,OD5.0,T0.5,-,-,POLYS	
K225	AC66-00006A	LEVER-UP DOWN;TS-10,POM,-,-,-,-,NAT,-	

## 6-4 DVD Mechanical Parts



Loc. No	Parts No.	Description ; Specification	Remark
900	6003-001157	SCREW-TAPTITE;PWH,+,B,M2,L6,ZPC(YEL),SWR	
901	6001-001522	SCREW-MACHINE;FH,+,M2.6,L7,ZPC(YEL),SWRC	
903	6009-001245	SCREW-SPECIAL;SWRCH18A,NYLOCK,SOCKET,HEX	
904	6001-001196	SCREW-MACHINE;BH,+,M2,L4,ZPC(YEL),SWRCH	
905	6001-001257	SCREW-MACHINE;PWH,+,M1.7,L3,ZPC(YEL),SWR	
906	AH60-00010A	SCREW-MACHINE-MOTOR;-+,SWCH18AK,M1.7,L2	
H101	AH61-00512A	CHASSIS-HOUSING;DP-7,ABS(SR-0320),-,-,-,	
H102	AH66-00111B	CLAMPER-ASSY;DP-5,POM+MAGNET,-,-,-,-,-	
H103	AH66-00123A	PULLEY-GEAR;DP-7,POM M90-44,-,-,-,-,-	
H104	AH31-00024A	MOTOR-LOAD ASSY;SM-2412L2,DP-7,-,-,-,-,-	
H105	6602-001076	BELT-RECTANGULAR;CR,T1.2,4.3%,1.2X25.1,B	
H106	AH66-00124A	GEAR-TRAY;DP-7,POM,M90-44,-,-,-,-,-	
H107	AH66-00125A	SLIDER-HOUSING;DP-7,POM,-,-,-,-,-	
H108	AH63-00217A	TRAY-DISC;-POM,-,-,-,-,BLK,DP-7	
H201	AH97-00561C	ASSY-BKRT DECK;SECC+POM,DP-7,TSEC	
H202	AH73-00023C	RUBBER-INSULATOR;DP-7,BUTYL RUBBER,-,10	
H203	AH61-50327A	SHAFT-P/U;DP-3,SUS420J2,L84.7,OD3,-,-,-	
H204	AH66-00075A	GEAR-FEED A;-POM M90-44,-,-,-,-,-	
H205	AH66-00076A	GEAR-FEED B;-POM M90-44,-,-,-,-,-	
H206	AC60-30306A	WASHER-SLIT;-,-,ID2.1,OD5.0,T0.5,-,POLYS	
H207	AH31-00022A	MOTOR-SPINDLE ASSY;RSM-2610D,DP-7,-,-,-,	
H208	AH61-00403A	SPRING-SPINDLE;-SWPB,-,CS,PI4.9,PI0.7,-	
H209	AH61-00513A	CHASSIS-SUB;DP-7,ABS(SR-0320),-,-,-,-,-	
H210	AH31-00016A	MOTOR-FEED ASSY;-DP-5,-,-	
H211	AH97-00708A	ASSY-PICK-UP;-SOH-DM2,ASSY-PICK-UP	
H240	AH92-00963A	ASSY-MILLENO DECK PCB 2LD;DVD-M101,MILLE	
H241	3809-001252	CABLE-FLAT;30V,80C,180mm,22P,1mm,UL2896	
H250	AH92-00900B	ASSY PCB-DECK B;DVD-V1000,MILLENO DECK(B	

# MEMO