



SERVICE MANUAL

SCA30/SCA33/SCA35/SCA80/SCA85VP-A30VP-A31VP-A33VP-A34VP-A800VP-A850



8mm CAMCORDER

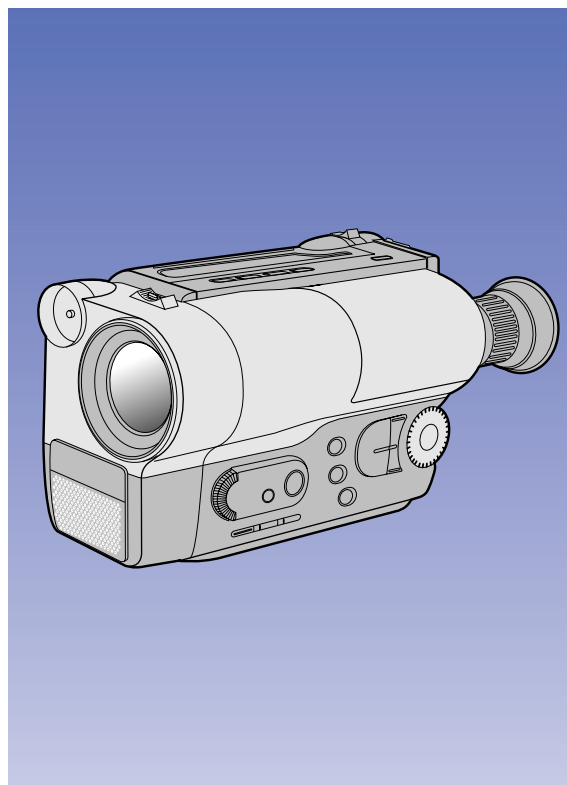
VP-A30/SCA30
VP-A31/SCA33
VP-A33/SCA35
VP-A34/SCA80
VP-A800/SCA85
VP-A850

8

SERVICE Manual

For mechanical disassembly and adjustment, refer to the "Mechanical Manual" (DE-6 → AD68-30200A).

8mm CAMCORDER



CONTENTS

1. Precautions
2. Service Tips
3. Product Specifications and Comparison Chart
4. Disassembly and Reassembly
5. Alignment and Adjustment
6. Exploded View and Parts List
7. Electrical Parts List
8. PCB Diagrams
9. Wiring Diagram
10. Schematic Diagrams



© Samsung Electronics Co.,Ltd. MAR. 1999
Printed in Korea
AD68-00079A