



PROJECTION TV RECEIVER

Chassis : SPT51A (VERSION1)
Model: SPM5288PF
SPM5288PTR
SPM4388PF
SPM4388PTR

SERVICE *Manual*

PROJECTION TV RECEIVER



CONTENTS

1. Precautions
2. Reference Information
3. Specifications
4. Disassembly and Reassembly
5. Alignment and Adjustment
6. Troubleshooting
7. Exploded View and Parts List
8. Areas and Option Specification
9. Electric Parts List
10. Block Diagrams
11. Wiring Diagram
12. Schematic Diagrams



ELECTRONICS

1. Precautions

Follow these safety, servicing and ESD precautions to prevent damage and protect against potential hazards such as electrical shock and X-rays.

1-1 Safety Precautions

1. Be sure that all of the built-in protective devices are replaced. Restore any missing protective shields.
2. When reinstalling the chassis and its assemblies, be sure to restore all protective devices, including: nonmetallic control knobs and compartment covers.
3. Make sure that there are no cabinet openings through which people-- particularly children--might insert fingers and contact dangerous voltages. Such openings include the spacing between the picture tube and the cabinet mask, excessively wide cabinet ventilation slots, and improperly fitted back covers.

If the measured resistance is less than 1.0 megohm or greater than 5.2 megohms, an abnormality exists that must be corrected before the unit is returned to the customer.

4. **Leakage Current Hot Check (Figure 1-1):**
Warning: Do not use an isolation transformer during this test. Use a leakage-current tester or a metering system that complies with American National Standards Institute (ANSI C101.1, *Leakage Current for Appliances*), and Underwriters Laboratories (UL Publication UL1410, 59.7).
5. With the unit completely reassembled, plug the AC line cord directly into the power outlet. With the unit's AC switch first in the ON position and then OFF, measure the current between a known earth ground (metal water pipe, conduit, etc.) and all exposed metal parts, including: antennas, handle brackets, metal cabinets, screwheads and control shafts. The current measured should not exceed 0.5 milliamp. Reverse the power-plug prongs in the AC outlet and repeat the test.

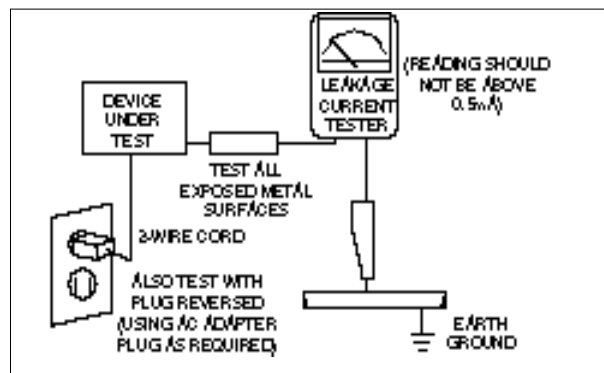


Fig. 1-1 AC Leakage Test

6. **Antenna Cold Check:**
With the unit's AC plug disconnected from the AC source, connect an electrical jumper across the two AC prongs. Connect one lead of the ohmmeter to an AC prong. Connect the other lead to the coaxial connector.
7. **X-ray Limits:**
The picture tube is especially designed to prohibit X-ray emissions. To ensure continued X-ray protection, replace the picture tube only with one that is the same type as the original. Carefully reinstall the picture tube shields and mounting hardware; these also provide X-ray protection.
8. **High Voltage Limits:**
High voltage must be measured each time servicing is done on the B+, horizontal deflection or high voltage circuits. Correct operation of the X-ray protection circuits must be reconfirmed whenever they are serviced. (X-ray protection circuits also may be called "horizontal disable" or "hold-down".)

Heed the high voltage limits. These include the *X-ray Protection Specifications Label*, and the *Product Safety and X-ray Warning Note* on the service data schematic.

1-1 Safety Precautions (Continued)

9. High voltage is maintained within specified limits by close-tolerance, safety-related components and adjustments. If the high voltage exceeds the specified limits, check each of the special components.
10. Design Alteration Warning:
Never alter or add to the mechanical or electrical design of this unit. Example: Do not add auxiliary audio or video connectors. Such alterations might create a safety hazard. Also, any design changes or additions will void the manufacturer's warranty.
11. Hot Chassis Warning:
Some TV receiver chassis are electrically connected directly to one conductor of the AC power cord. If an isolation transformer is not used, these units may be safely serviced only if the AC power plug is inserted so that the chassis is connected to the ground side of the AC source.

To confirm that the AC power plug is inserted correctly, do the following: Using an AC voltmeter, measure the voltage between the chassis and a known earth ground. If the reading is greater than 1.0V, remove the AC power plug, reverse its polarity and reinsert. Re-measure the voltage between the chassis and ground.
12. Some TV chassis are designed to operate with 85 volts AC between chassis and ground, *regardless of the AC plug polarity*. These units can be safely serviced *only* if an isolation transformer inserted between the receiver and the power source.
13. Some TV chassis have a secondary ground system in addition to the main chassis ground. This secondary ground system is not isolated from the AC power line. The two ground systems are electrically separated by insulating material that must not be defeated or altered.
14. Components, parts and wiring that appear to have overheated or that are otherwise damaged should be replaced with parts that meet the original specifications. Always determine the cause of damage or overheating, and correct any potential hazards.
15. Observe the original lead dress, especially near the following areas: Antenna wiring, sharp edges, and especially the AC and high voltage power supplies. Always inspect for pinched, out-of-place, or frayed wiring. Do not change the spacing between components and the printed circuit board. Check the AC power cord for damage. Make sure that leads and components do not touch thermally hot parts.
16. Picture Tube Implosion Warning:
The picture tube in this receiver employs "integral implosion" protection. To ensure continued implosion protection, make sure that the replacement picture tube is the same as the original.
17. Do not remove, install or handle the picture tube without first putting on shatterproof goggles equipped with side shields. Never handle the picture tube by its neck. Some "in-line" picture tubes are equipped with a permanently attached deflection yoke; do not try to remove such "permanently attached" yokes from the picture tube.
18. Product Safety Notice:
Some electrical and mechanical parts have special safety-related characteristics which might not be obvious from visual inspection. These safety features and the protection they give might be lost if the replacement component differs from the original--even if the replacement is rated for higher voltage, wattage, etc.

Components that are critical for safety are indicated in the circuit diagram by shading, (⚡) or (⚡). Use replacement components that have the same ratings, especially for flame resistance and dielectric strength specifications. A replacement part that does not have the same safety characteristics as the original might create shock, fire or other hazards.

1-2 Servicing Precautions

WARNING1: First read the "Safety Precautions" section of this manual. If some unforeseen circumstance creates a conflict between the servicing and safety precautions, always follow the safety precautions.

WARNING2: An electrolytic capacitor installed with the wrong polarity might explode.

1. Servicing precautions are printed on the cabinet. Follow them.
2. Always unplug the unit's AC power cord from the AC power source before attempting to: (a) Remove or reinstall any component or assembly, (b) Disconnect an electrical plug or connector, (c) Connect a test component in parallel with an electrolytic capacitor.
3. Some components are raised above the printed circuit board for safety. An insulation tube or tape is sometimes used. The internal wiring is sometimes clamped to prevent contact with thermally hot components. Reinstall all such elements to their original position.
4. After servicing, always check that the screws, components and wiring have been correctly reinstalled. Make sure that the portion around the serviced part has not been damaged.
5. Check the insulation between the blades of the AC plug and accessible conductive parts (examples: metal panels, input terminals and earphone jacks).
6. Insulation Checking Procedure: Disconnect the power cord from the AC source and turn the power switch ON. Connect an insulation resistance meter (500V) to the blades of the AC plug.

The insulation resistance between each blade of the AC plug and accessible conductive parts (see above) should be greater than 1 megohm.
7. Never defeat any of the B+ voltage interlocks. Do not apply AC power to the unit (or any of its assemblies) unless all solid-state heat sinks are correctly installed.
8. Always connect a test instrument's ground lead to the instrument chassis ground *before* connecting the positive lead; always remove the instrument's ground lead last.

1-3 Precautions for Electrostatically Sensitive Devices (ESDs)

1. Some semiconductor ("solid state") devices are easily damaged by static electricity. Such components are called Electrostatically Sensitive Devices (ESDs); examples include integrated circuits and some field-effect transistors. The following techniques will reduce the occurrence of component damage caused by static electricity.
2. Immediately before handling any semiconductor components or assemblies, drain the electrostatic charge from your body by touching a known earth ground. Alternatively, wear a discharging wrist-strap device. (Be sure to remove it prior to applying power--this is an electric shock precaution.)
3. After removing an ESD-equipped assembly, place it on a conductive surface such as aluminum foil to prevent accumulation of electrostatic charge.
4. Do not use freon-propelled chemicals. These can generate electrical charges that damage ESDs.
5. Use only a grounded-tip soldering iron when soldering or unsoldering ESDs.
6. Use only an anti-static solder removal device. Many solder removal devices are not rated as "anti-static"; these can accumulate sufficient electrical charge to damage ESDs.
7. Do not remove a replacement ESD from its protective package until you are ready to install it. Most replacement ESDs are packaged with leads that are electrically shorted together by conductive foam, aluminum foil or other conductive materials.
8. Immediately before removing the protective material from the leads of a replacement ESD, touch the protective material to the chassis or circuit assembly into which the device will be installed.
9. Minimize body motions when handling unpackaged replacement ESDs. Motions such as brushing clothes together, or lifting a foot from a carpeted floor can generate enough static electricity to damage an ESD.

MEMO

2. Reference Information

2-1 IC Summary

Table 2-1 IC Summary				
Loc No.	No.	Specification	Description	Remarks
IC111	1	TDA9815	VIF-PLL/DUAL FM-PLL/AM DEMODULATOR	
IC201	2	TDA4566	COLOUR TRANSIENT IMPROVEMENT	
IC202	3	TDA9160A	PAL/NTSC/SECAM DECODER AND SYNC PROCESSOR	
IC203	4	TDA4780	RGB VIDEO PROCESSOR	AUTOMATIC CUT-OFF CONTROL AND COMMA ADJUST
IC204	5	TDA4665	BASEBAND DELAY LINE	
IC205	6	TDA9170	YUV PICTURE IMPROVEMENT PROCESSOR	
IC206	7	MC14577BP	DUAL VIDEO AMPLIFIERS	
IC207	8	AN5342K	VIDEO CONTOUR COLLECTION	
IC208	9	TEA5114A	RGB SWITCHING	
IC301	10	TDA8350Q	VERTICAL DEFLECTION	
IC501 IC502 IC503	11	TDA6101Q	VIDEO OUTPUT AMPLIFIER	
HC651	12	STK4142•±	AUDIO AMPLIFIER	
IC602	13	UPC1853	MATRIX SURROUND IC	
IC603	14	TDA9840	STEREO/DUAL SOUND PROCESSOR	
ICJ01	15	SAA7283	NICAM DECODER	NICAM PART
ICJ02	16	MC4558C	OP-AMPLIFIER	NICAM PART
ICE01	17	M65831P	DIGITAL ECHO	KARAOKE PART
ICE02	18	NJM3403AD	QUAD OP-AMPLIFIER	KARAOKE PART
ICE03	19	UPC1406HA	DUAL ATTENUATOR	KARAOKE PART

Table 2-1 IC Summary (Continued)				
Loc No.	No.	Specification	Description	Remarks
IC701 IC702	20	TC4053BP	A/V SWITCHING IC	A/V SWITCHING PART
IC703 IC704	21	KA2192	A/V SWITCHING IC	A/V SWITCHING PART
IC801	22	STR-S6709	SMPS CONTROL	
IC901	23	RM130	MICOM	POWER PART
ICT01	24	SAA5281	TELETEXT	TELETEXT PART
ICT02	25	TEA5114A	RGB SWITCHING	TELETEXT PART
ICP101	26	TDA9160A	PAL/NTSC/SECAM DECODER AND SYNC PROCESSOR	PIP PART
ICP102	27	TDA9815	VIF-PLL	PIP PART
ICP103	28	PAP101	IF PRE-AMP	PIP PART
ICP201	29	SDA9187	PIP PROCESSOR	PIP PART
ICP105	30	SDA9189	PIP PROCESSOR	PIP PART
ICZ30 ICZ31	31	TEA5114A	OSD/CONVERGENCE SWITCHING	
ICZ202	32	74HC123P	DYNAMIC FOCUS	CONVERGENCE PART
HCZ03 HCZ04 HCZ05	33	STK391-020	CONVERGENCE AMP	CONVERGENCE PART

Option: OSD Language

Table 2-2			
Loc No.	Specification	Description	Remarks
IC901	RM130ECP	SSOM-130ECP	ENG/CHINA
	RM130ERP	SSOM-130ERP	ENG/RUS/HUN/POL
	RM130EAP	SSOM-130EAP	ENG/ARABIC
	RM130EUP	SSOM-130EUP	ENG/UGO/CHE/RUM
	RM130ETP	SSOM-130ATP	ENG/TAI/MAL/IND

3. Specifications

MODEL		4388	5288
SYSTEM	TUNING	Frequency Synthesizer	
	COLOUR	PAL, SECAM, NTSC3.58, NTSC4.43	
	SOUND	B/G, D/K, I,M	
	NICAM	B/G,I	
ANTENNA IMPEDANCE		75 ohm unbalanced coaxial	
SCREEN SIZE		109 cm	132 cm
POWER	CONSUMPTION	275 watts	275 watts
	REQUIREMENTS	Main voltage : 220V/230V/240V Cover range : 100 - 260V	
	FREQUENCY	50/60Hz	
PROGRAMME CHANNEL		100 channels	
SOUND OUTPUT		25 watts/ch. x 2	
DIMENSIONS (W x D x H)	SET	950 x 476 x 1247 (mm)	1168 x 589 x 1384 (mm)
	TRANSMITTER	64 x 234 x 20(mm)	
WEIGHT	SET	63 Kg	73 Kg
	TRANSMITTER	140g (Including Batteries)	

Specifications are subject to change.

MEMO

4. Disassembly and Reassembly

4-1 Screen Replacement for SPM-4388PF

1. Figures 4-1 through 4-6 show the disassembly steps.
2. To reassemble, repeat the sequence in reverse order.

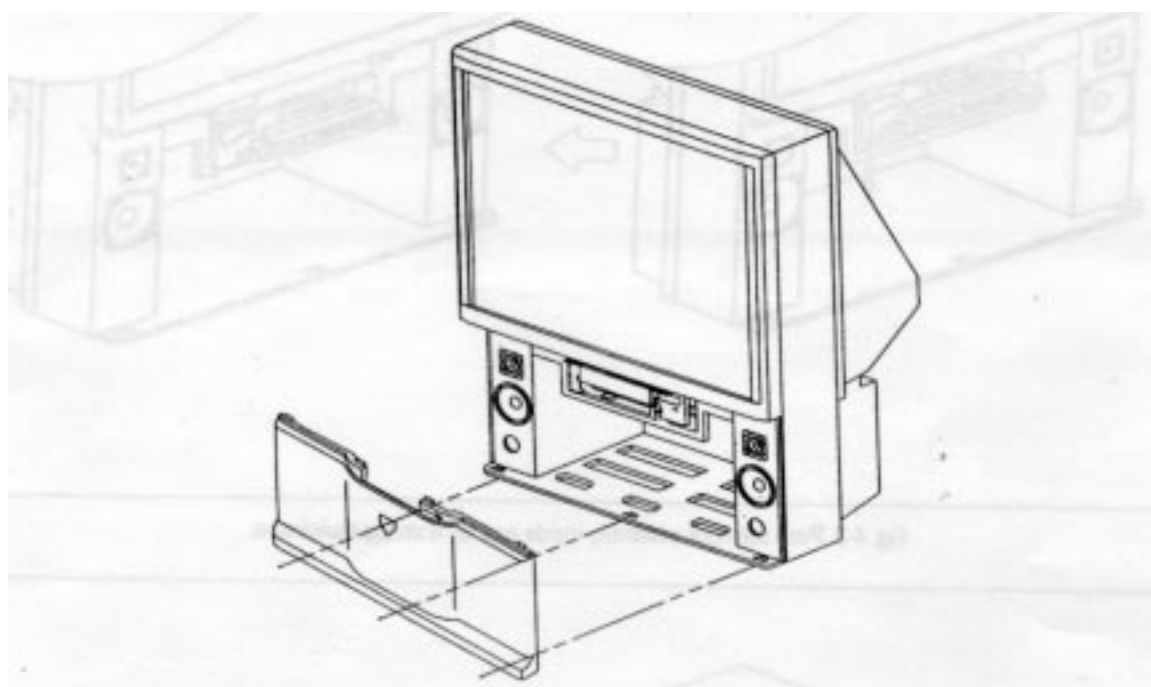


Fig. 4-1 Remove 3 screws located on the bottom of the cover grill. Pull the grill forward to remove it from the mainframe.

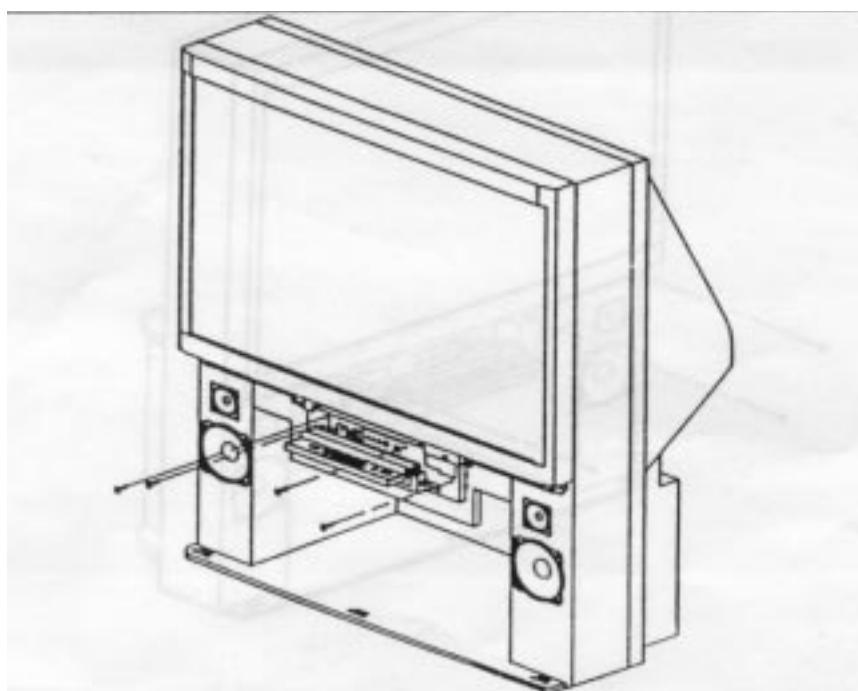


Fig. 4-2 Remove 4 screws holding the door assembly.

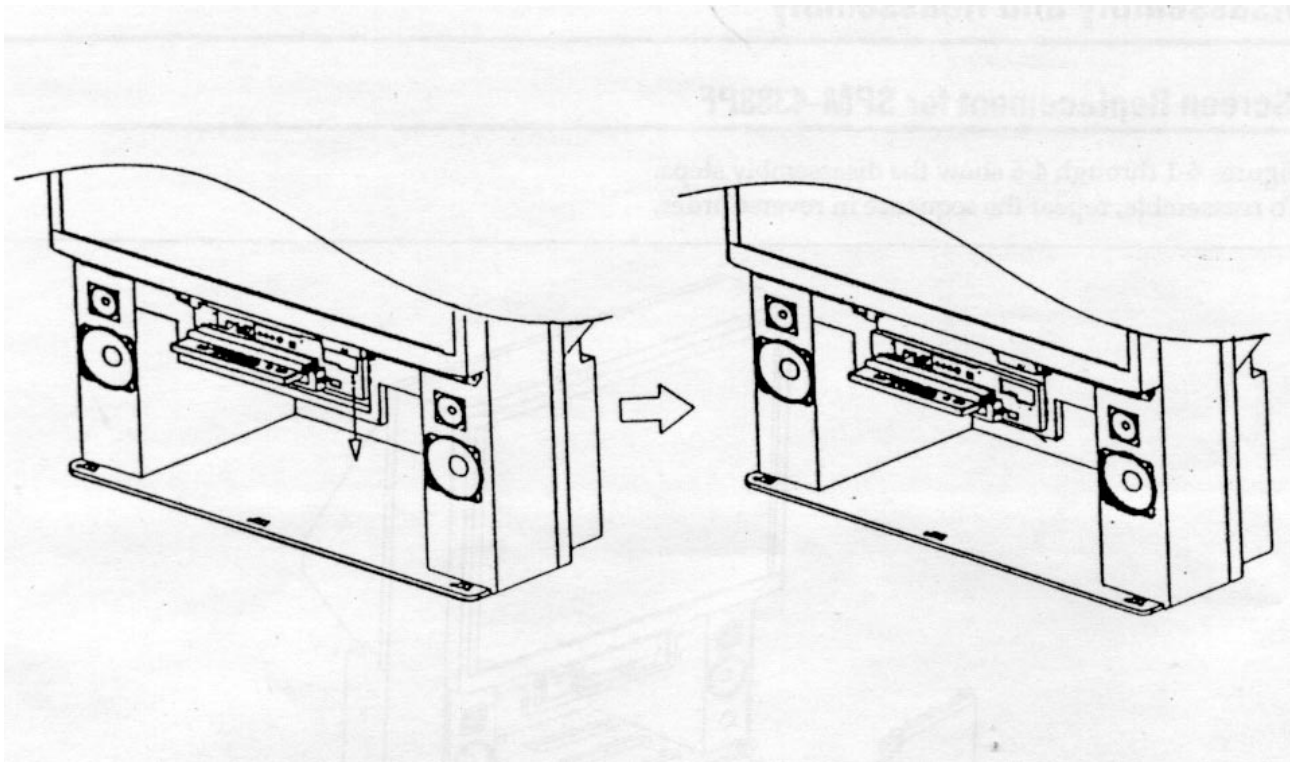


Fig. 4-3 Push the door assembly inside and lay it on the mainframe.

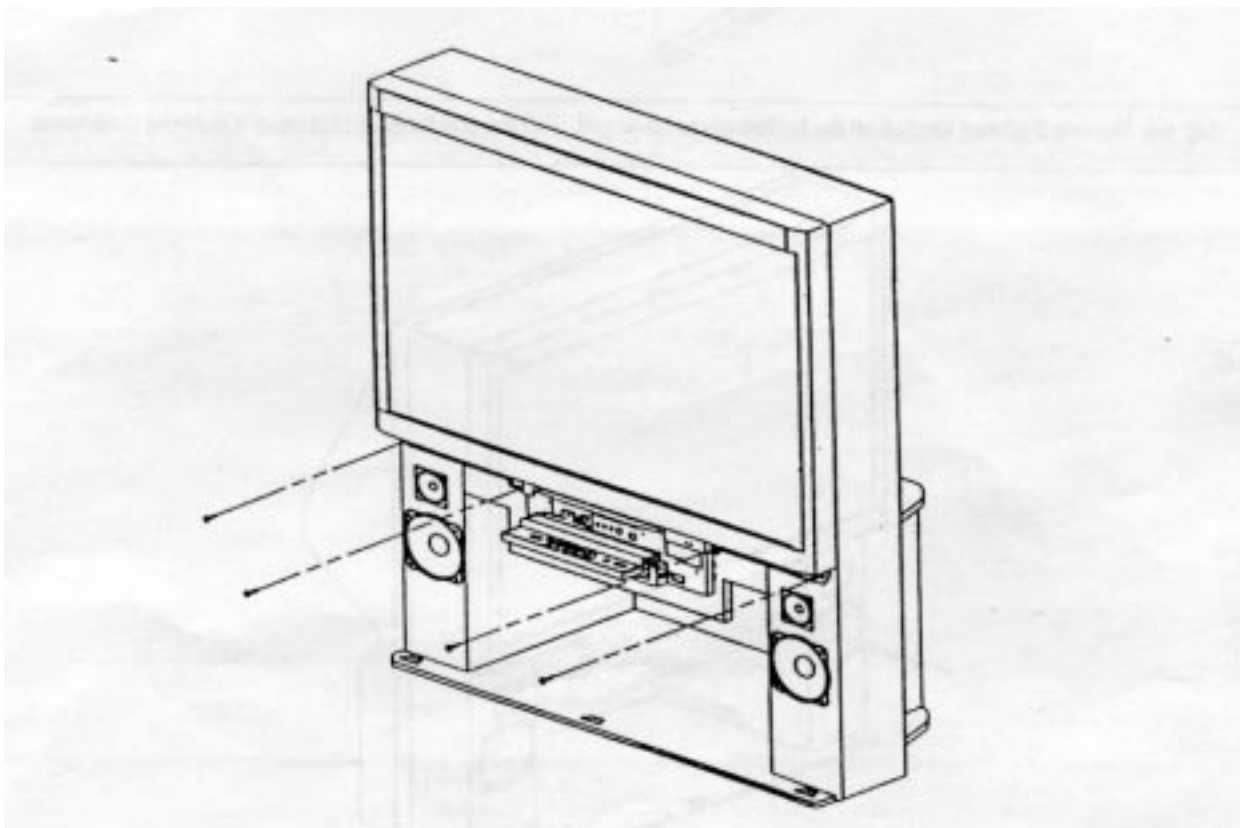


Fig. 4-4 Remove the 4 screws located below the mask-front.

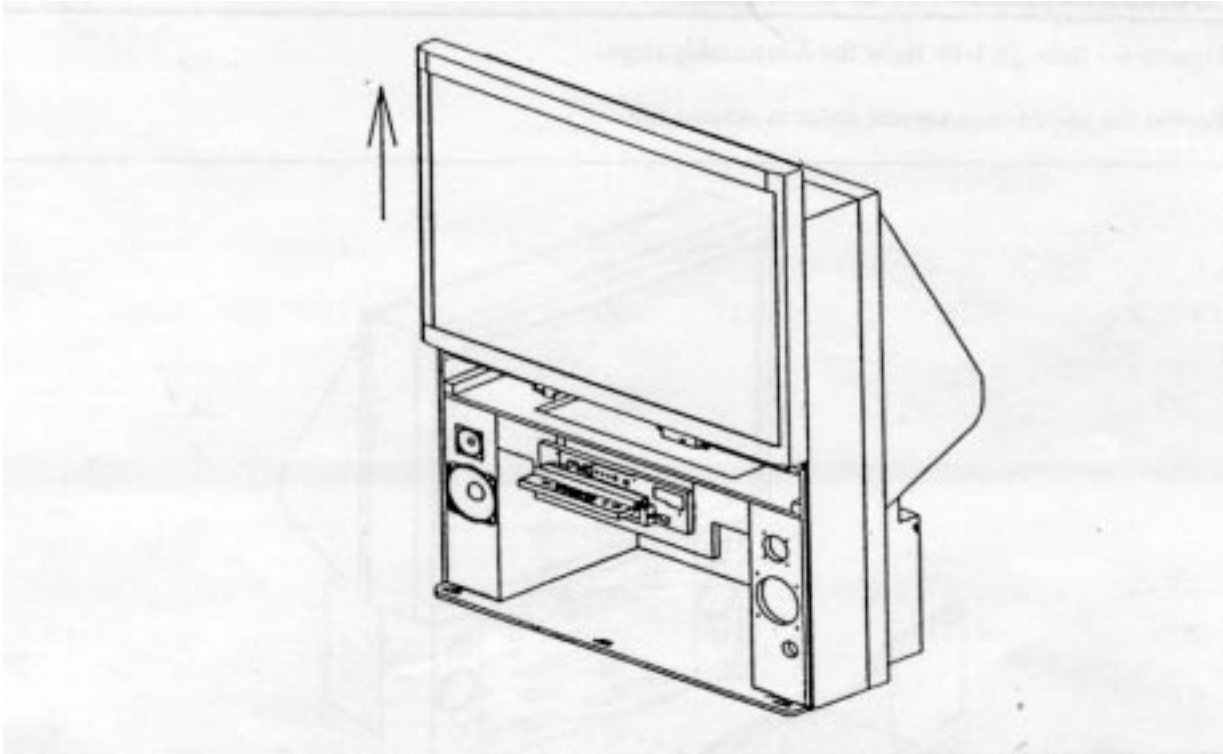


Fig. 4-5 Lift and remove the mask-front.

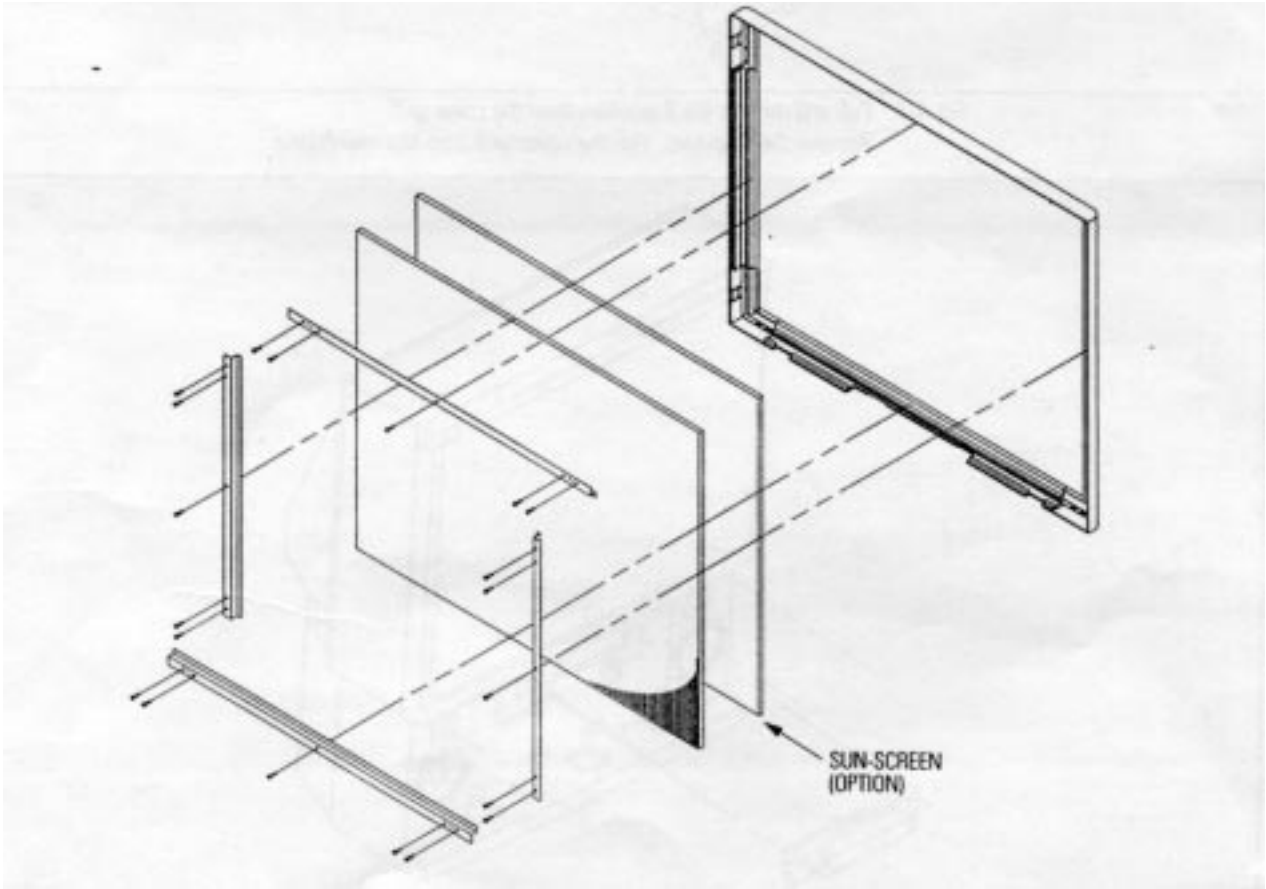


Fig. 4-6 Remove the bracket and replace the screen.

4-1 Screen Replacement for SPM-4388PF

1. Figures 4-7 through 4-10 show the disassembly steps.
2. Repeat the sequence in reverse order to reassemble.

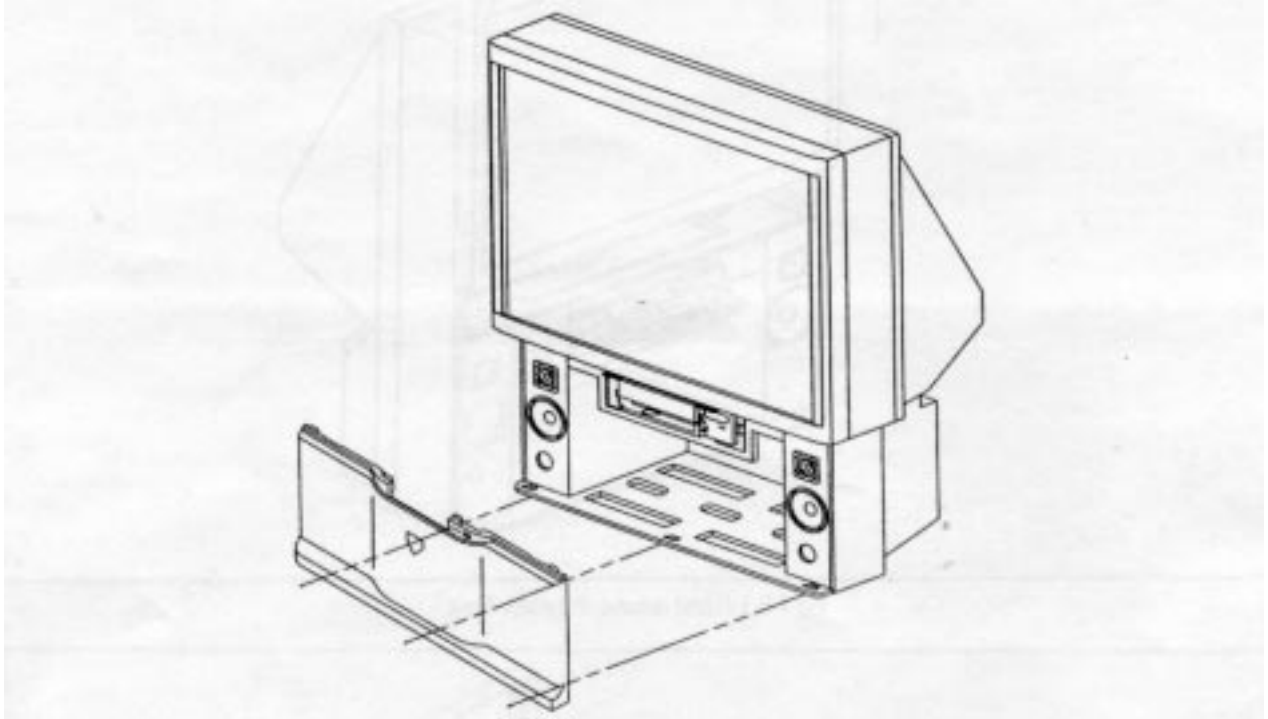


Fig. 4-7 Pull and remove the 2 woofers from the cover grill.
Remove the 9 screws. Pull the cover grill from the mainframe.

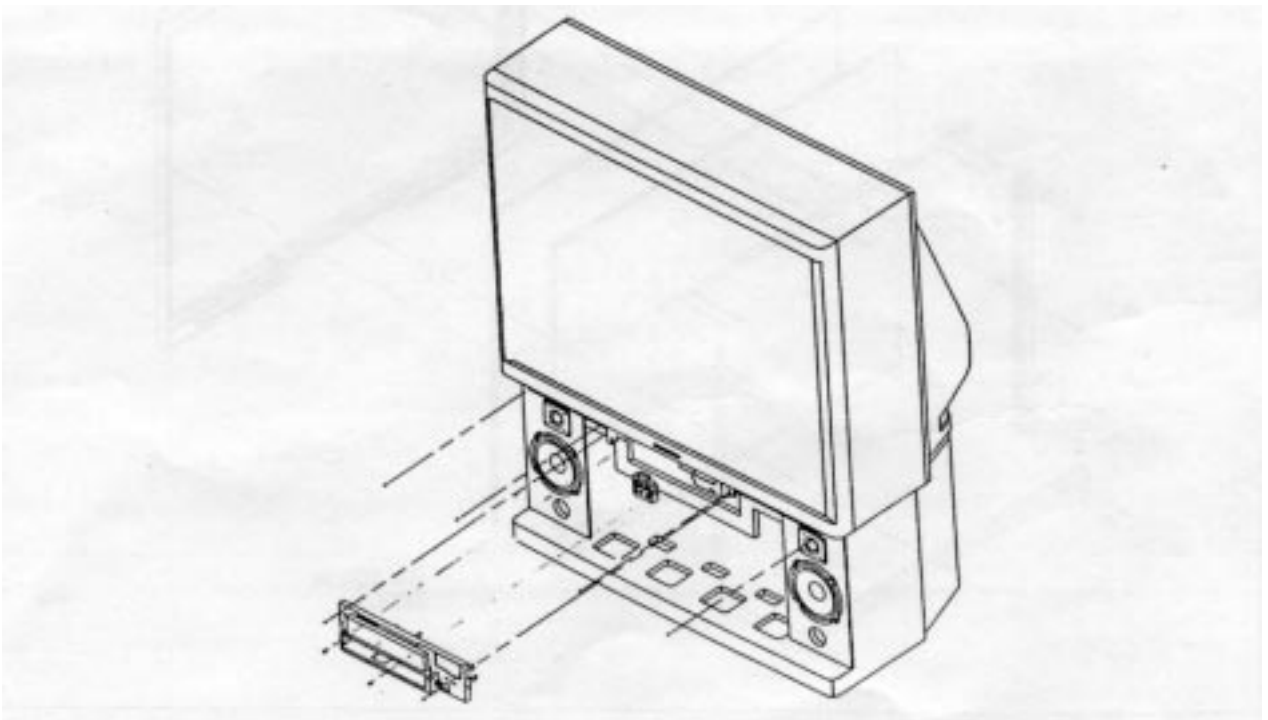


Fig. 4-8 Remove 4 screws holding the door assembly.

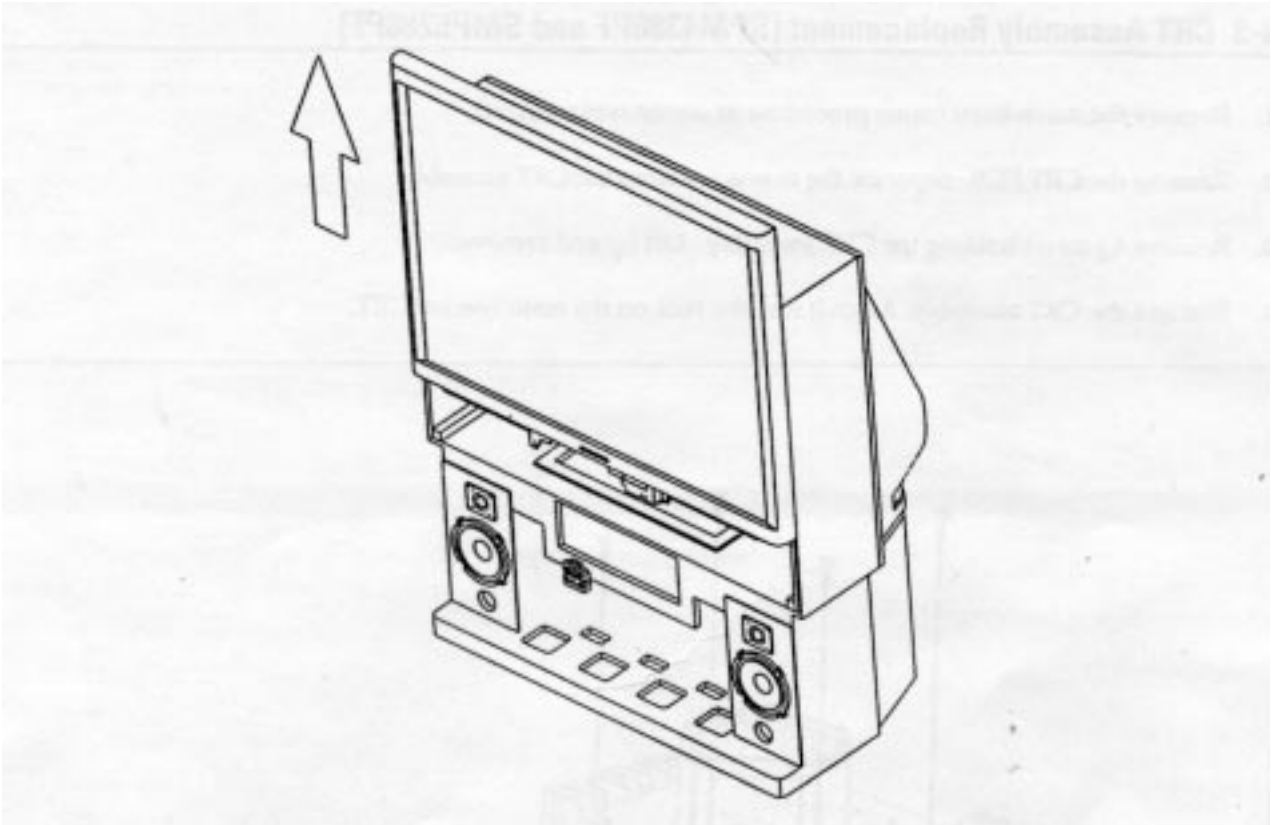


Fig. 4-9 Lift and remove the mask front.

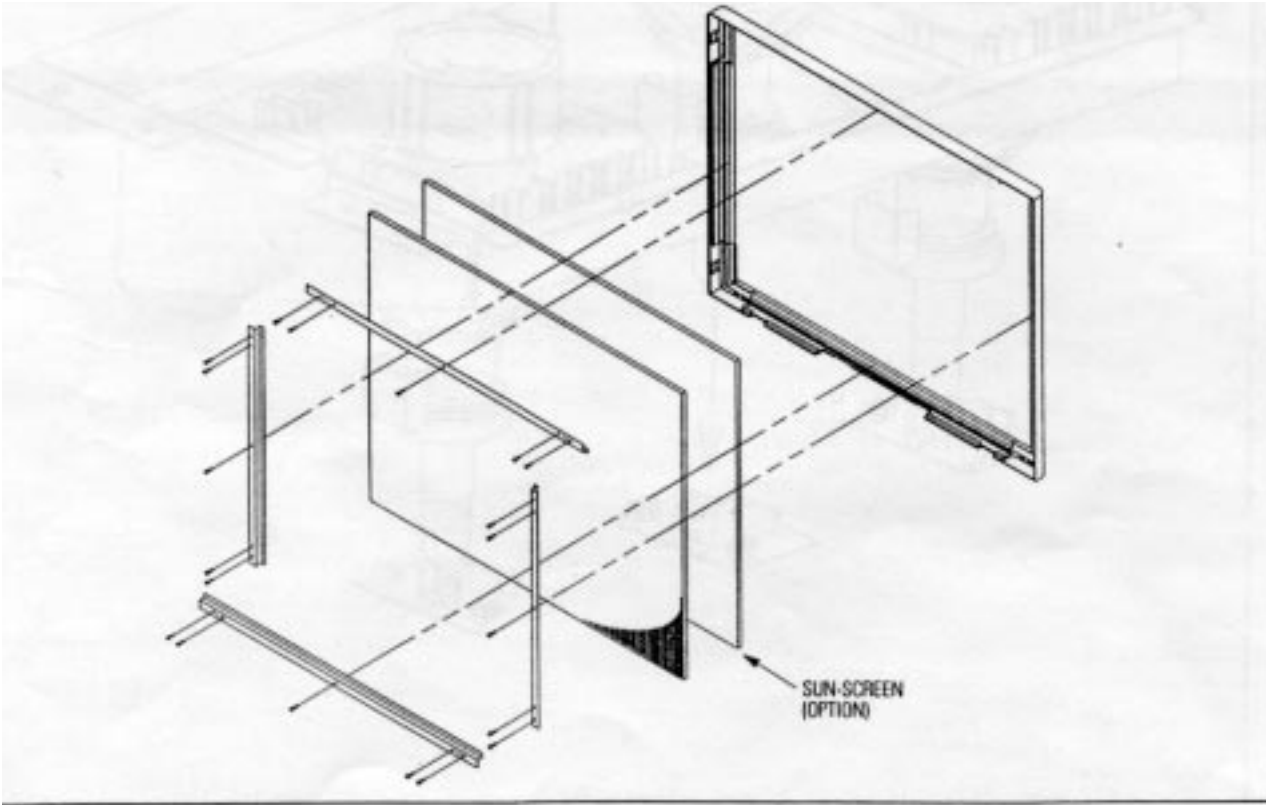


Fig. 4-10 Remove the bracket and replace the screen.

4-3 CRT Assembly Replacement (SPM4388PF and SMP5288PF)

1. Remove the mask-front (same procedure as screen replacement).
2. Remove the CRT PCB. Separate the connector from the CRT assembly.
3. Remove 4 screws holding the CRT assembly. Lift up and remove.
4. Position the CRT assembly. Align it into the hole on the main bracket CRT.

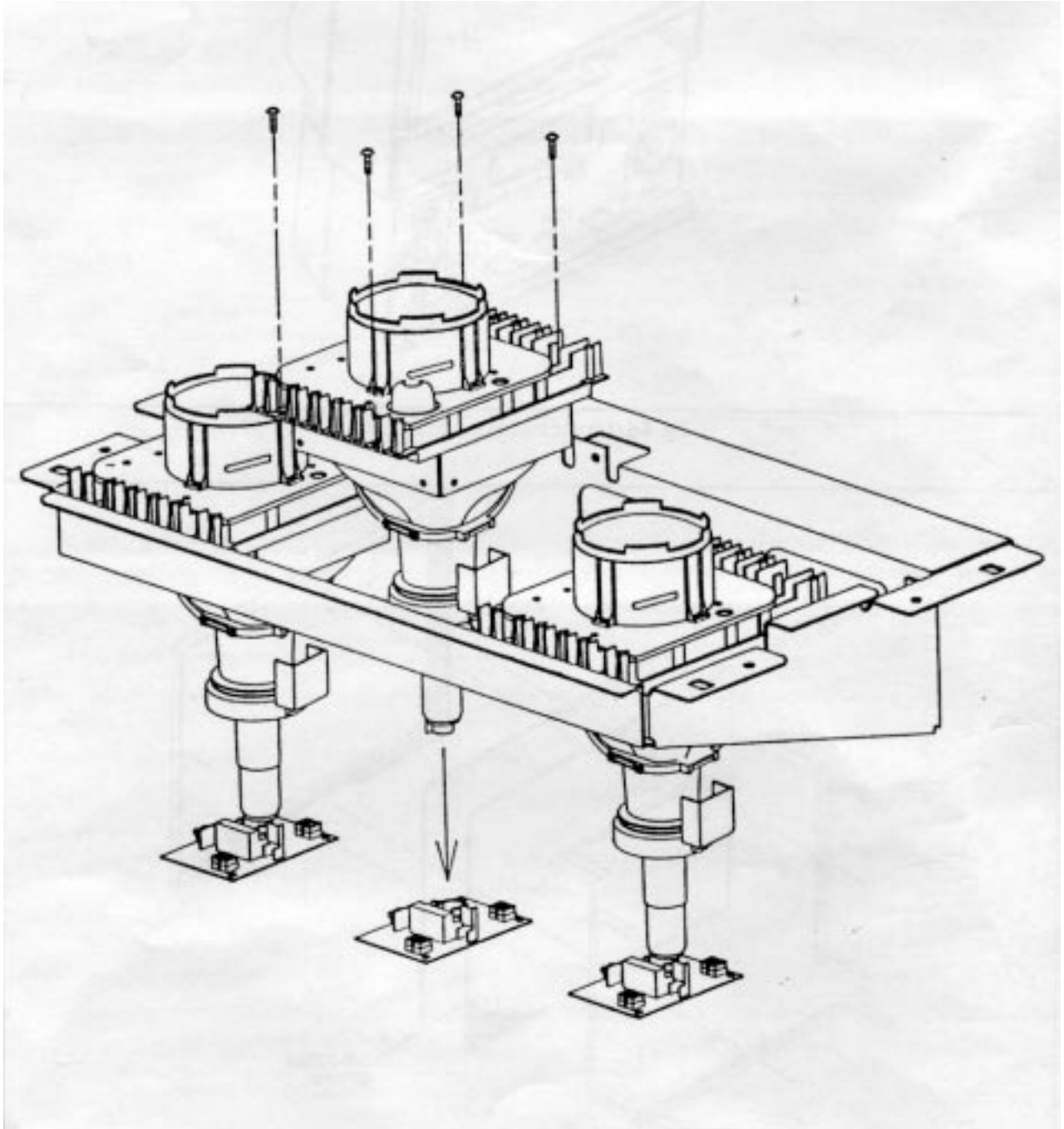


Fig. 4-11 Replacement of CRT Assembly

5. Alignment and Adjustments

5-1 RF AGC Adjustment

1. Tune to the strongest local station.
2. Turn the AGC control fully clockwise (VR111, on the IF board).
3. Adjust the AGC control until noise (snow) disappears from the screen.

5-2 Screen Adjustment

1. Turn to the Active channel.
2. Adjust the VR (VR501, VR531, VR561) screen for a normal picture is (no blooming or flyback line).
3. Adjust the FOCUS control for well defined scanning lines in the center area of the screen.

5-3 Horizontal Dynamic Focus Adjustment

PREPARATION

1. Input a crosshatch pattern.
2. Cover the Red and Blue Lenses.
3. Enter "STANDARD" video mode.
4. Adjust the Green Lens for best focus.

ADJUSTMENT

Adjust VRZ01 (located on the convergence board). Balance the left and right sides of the dynamic focus lines.

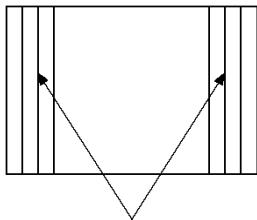


Fig. 5-1 Balance the left and right sides

5-4 FBT B⁺ Voltage Adjustment

PREPARATION

1. Note: The B⁺ voltage adjustment (FBT) is done during the chassis check at the factory. Perform this adjustment after Sub-Brightness and Convergence.
2. Warm up the TV for at least for 10 minutes.
3. Input 100% white pattern.
4. Select the "STANDARD" video mode.

ADJUSTMENT

1. Connect the leads of a multimeter to GT405 (B⁺) and GT406(G).
2. Set VR401 (on deflection board) to either 126.9V (for NTSC), or 125.6V (for PAL).

5-5 Lens Focus and Static Focus Adjustment

5-5-1 Static Focus (Electric Focus)

PREPARATION

1. Select the "STANDARD" video mode.
2. Input a crosshatch pattern.
3. Cover the lenses that are not being adjusted.
4. Connect a convergence jig and read data.
5. Adjust the lens for best focus.

ADJUSTMENT

Vary the focus pack VR (Red, Blue) on the front cabinet. Adjust the TV for best possible focus around the center of the crosshatch pattern, without losing overall screen balance.

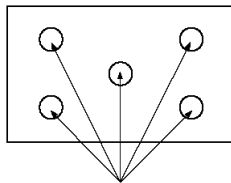


Fig. 5-2 Crosshatch Pattern. Examine these points together

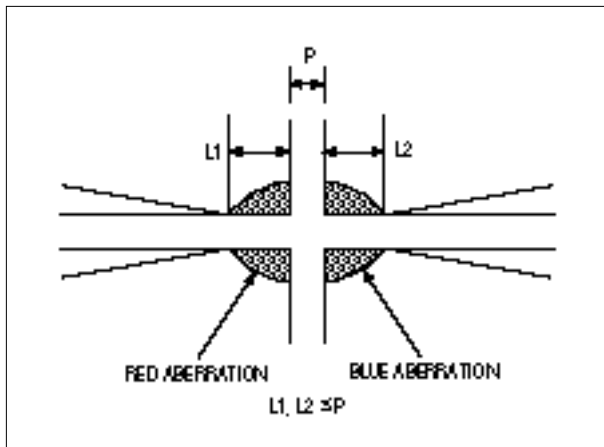


Fig. 5-3 Color Aberration

5-5-2 Lens Focus

PREPARATION

1. Do this adjustment after the static focus adjustment .
2. Select the " STANDARD " video mode. (Contrast: 64, Brightness: 32)
3. Input a cross hatch pattern.

ADJUSTMENT

1. Loosen the lens screws.
2. Cover the two lenses that are not being adjusted.
3. Adjust the lens, observing the color aberration vertically and horizontally within 3 blocks of the center of the crosshatch pattern.
4. When the lens is turned clockwise, the color aberration will change as follows:

Lens	Color Aberration Change
R	Orange — Crimson
G	Blue — Red
B	Purple — Green

5. Green lens adjustment:
Set the lens at the point where Blue just changes to Red. If the color aberration is irregular throughout the picture screen, adjust the lens to show Red within a 3-block grid around the horizontal center-line.

Observe the the color aberration near the intersection points of the horizontal and vertical lines (approximately 1 - 3 mm area). If the aberration is irregular, adjust the lens as shown in the diagram below. (Accurate alignment of Green is important for overall color quality.)

6. Set the Red lens at the point where Orange becomes Crimson.
7. Set the Blue lens at the point where Purple becomes Green.

5-6 Convergence Adjustment

5-6-1 Convergence Adjustment

1. Input a PAL pattern.
 2. Warm up the set for 30 minutes before adjustment.
 3. Display the test pattern (Crosshatch) by pressing the remote-control keys in this sequence : Conv. °E Mute °E 1°E 8°E 2.
 4. When the convergence data is severely tilted (or if readjustments are necessary because the convergence module was replaced), select the "Mute" and "Yellow (TTX)" keys in turn so that the basic data of module micom applies to the convergence adjustments.
- When making only one convergence adjustment, only one parameter needs to be adjusted. (The basic data does not change.)
5. After selecting R-Mute and B-Mute, display only a green color pattern. Center the pattern by adjusting CY.
 6. After selecting G-Mute and B-Mute, adjust the Red CY to center the picture.
 7. Center the Blue Pattern as above.
 8. After the picture is centered, begin the convergence adjustments.
First, display the green pattern:

The "Menu" key moves the cursor vertically and horizontally.

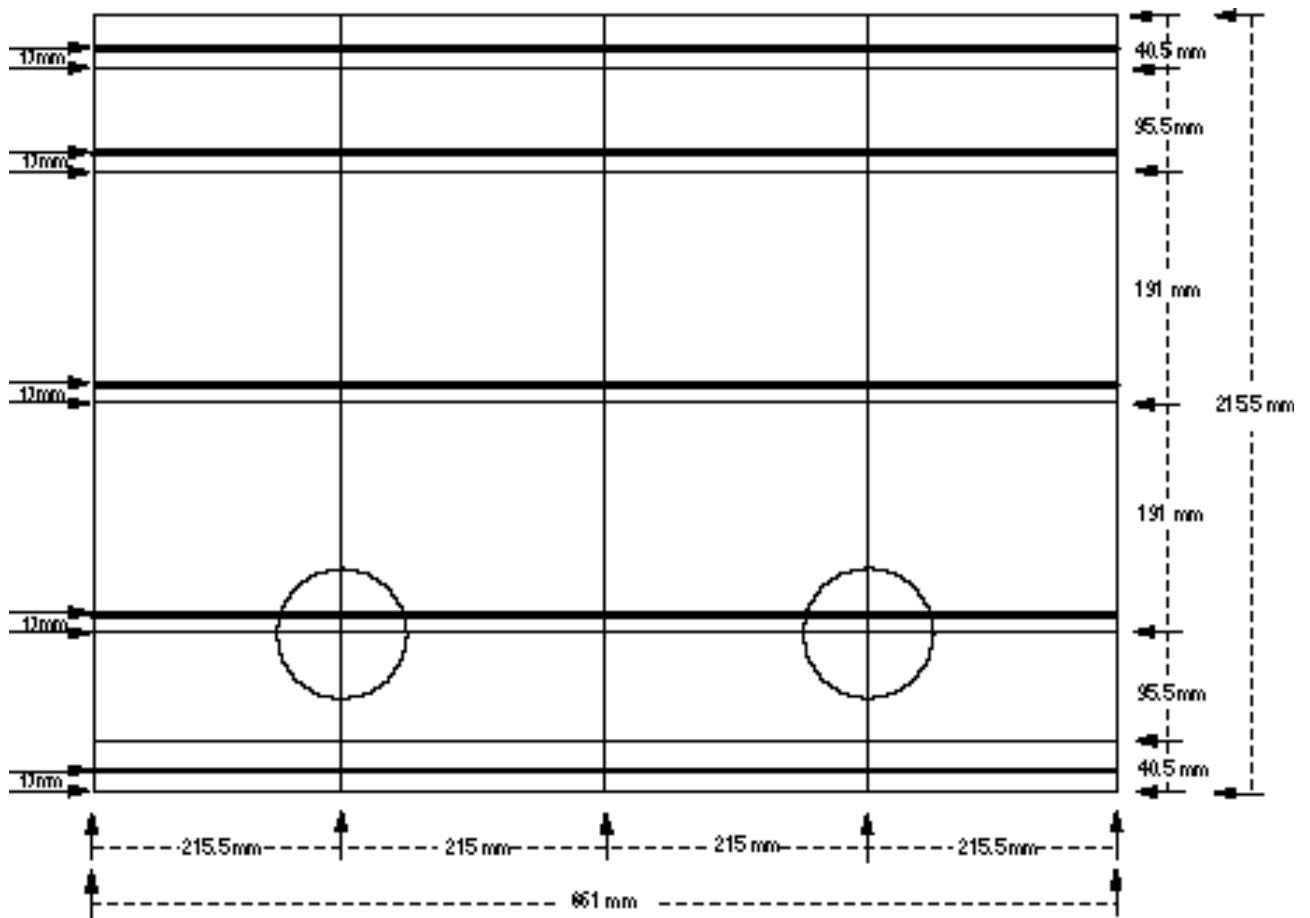
Use the Channel and Volume keys (Up/Down) to adjust convergence.

9. Use the "Surround" key for minor adjustments.
10. After the Green Adjustment is completed, press the R-Mute key (confirm Green to Red).
11. Adjust Blue as above.
12. After the adjustments are completed, press "Recall" to save the data.
13. Change from PAL mode to NTSC when making NTSC adjustments.
14. After setting the NTSC line (on Screen Jig), readjust as 7~10.
15. After the NTSC pattern adjustments are completed, press the "RECALL" key to save the NTSC data.
16. After the Convergence Adjustments are completed, press the Escape key.

Note

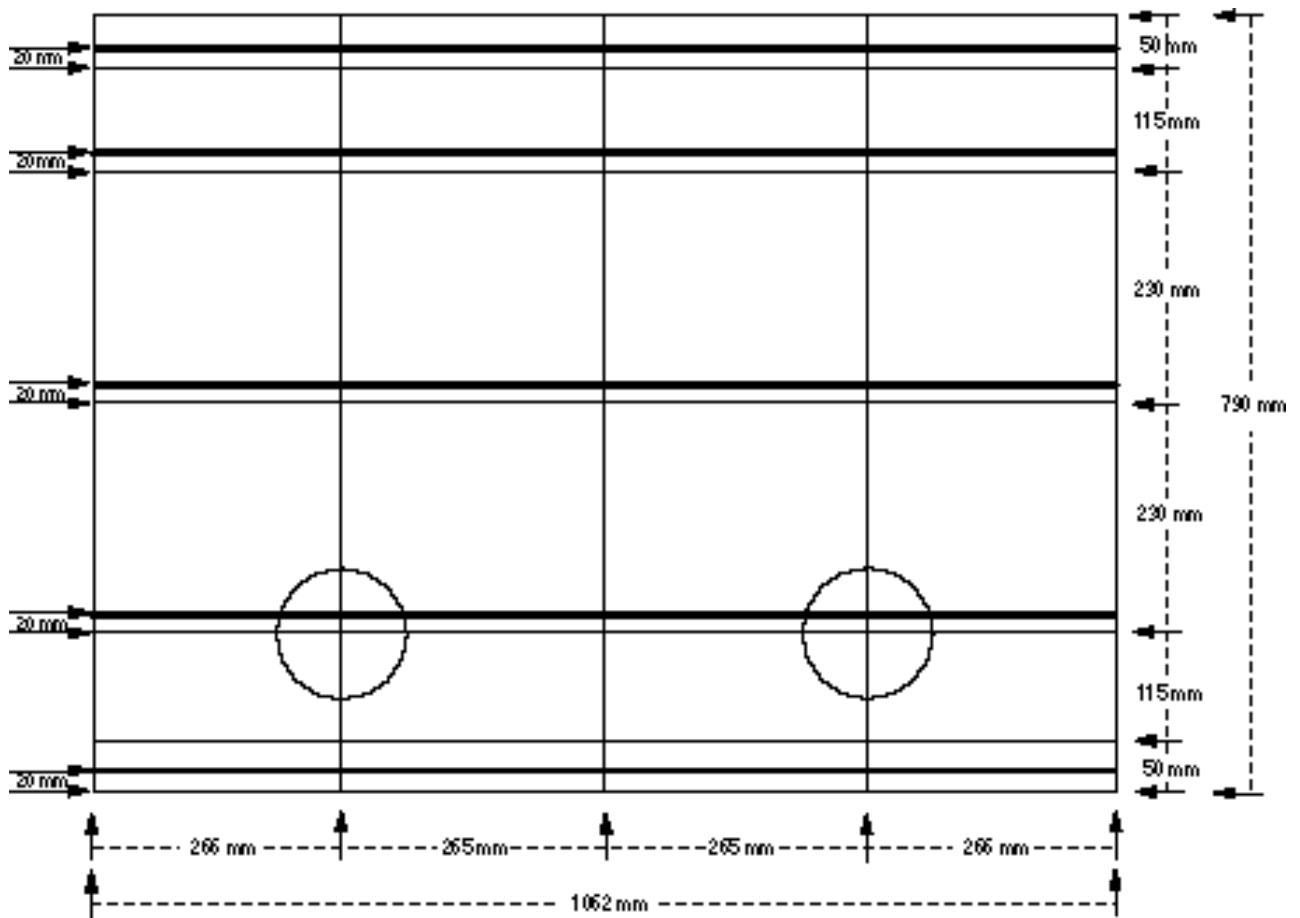
1. If the convergence data is lost during adjustment, use the "Saturation" (TV/Video) key to reset the data to the initial values of the ROM.
2. Make minor adjustments with the User Convergence key.
A "+" pattern appears when "Conv." is pressed.
3. Use the "R/B" and "Ch/Vol" keys to correct convergence. After the adjustments are completed, press "Escape".

5-6-2 Screen Jig



1. **——** line : PAL convergence adjustment line (horizontal).
2. **——** line : NTSC convergence adjustment line (horizontal).
3. Horizontal line : Used for NTSC/PAL
4. Application Model : SVP4388/SPM4388PF

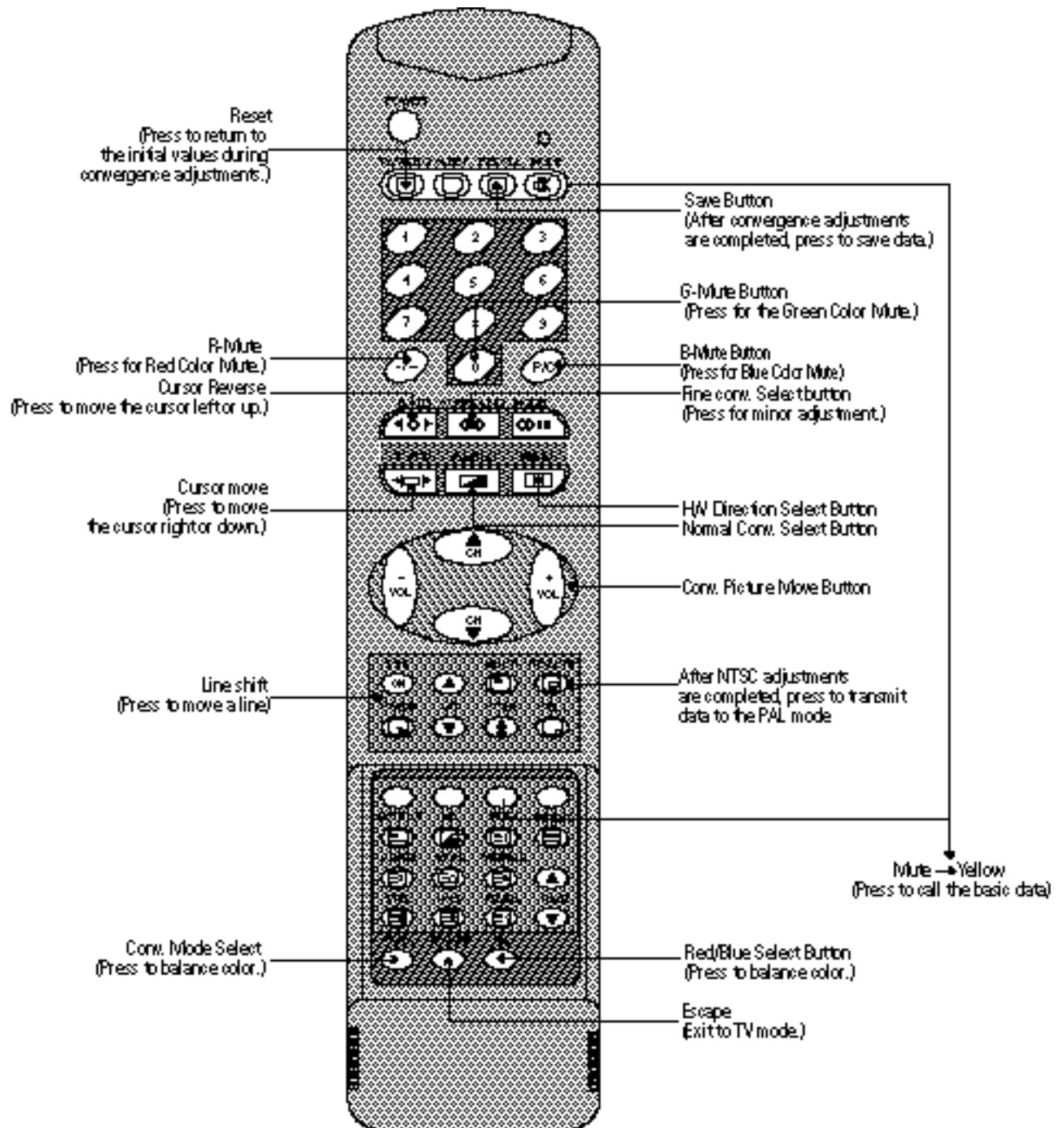
Fig. 5-5 43 inch JIG Screen



1. **————** line : PAL convergence adjustment line (horizontal).
2. **————** line : NTSC convergence adjustment line (horizontal).
3. Horizontal line : Used for NTSC/PAL
4. Application Model: SVP5288 / SPME288PF

Fig. 5-5 52 inch JIG Screen

5-6-3 Remote Control for Servicing



5-7 Manual Alignment (Factory Mode)

1. Enter the Factory Mode. Press the remote-control keys in this sequence:



2. Use the CHANNEL and VOLUME keys (Up/Down) to move the cursor. Select an alignment parameter:

SERVICE MODE
ADJUSTMENT
TEST PATTERN
OPTION BYTES
RESET
BONUS

3. Adjustment must be done for both 50Hz and 60Hz field rates:

SBT 08	GG 49
SCR 10	BG 32
SCT 13	PW 32
STT 08	GAM 00
RRC 26	ALS 07
GRC 42	ASS 32
BRC 32	PCT 04
RG 28	PTT 32

Adjustment I

Function	OSD	Range	Note
SUB-BRIGHT	SBT	00-13	
SUB-COLOR	SCR	00-13	
SUB-CONTRAST	SCT	00-13	
SUB-TINT	STT	00-13	
RED REFERENCE	RRC	00-63	Low-light adjustment
GREEN REFERENCE	GRC	00-63	"
BLUE REFERENCE	BRC	00-63	"
RED GAIN	RG	00-63	High-light adjustment
GREEN GAIN	GG	00-63	"
BLUE GAIN	BG	00-63	"
PEAK WHITE	PW	00-63	
GAMMA	GAM	00-63	
AUDIO LEVEL SETTING	ALS	00-15	
AUDIO SEPARATION SETTING	ASS	00-63	
PIP CONTRAST	PCT	00-15	
PIP TINT	PTT	00-63	

4. Access Adjustment II by pressing the CHANNEL keys (Up/Down) while the cursor is positioned on "SBT" or "PTT" (see Adjustment I):

PHS 42	PVA 15
PEW 27	PSC 30
PEP 23	PVS 10
PEC 02	HSP 13
PET 47	PVP 10
PSC 40	PHP 72

Adjustment II - 50Hz Picture

NHS 32	NVA 32
NEW 27	NSC 13
NEP 30	NVS 55
NEC 02	HSN 11
NET 28	NVP 04
NSL 16	NHP 73

Adjustment II - 60Hz Picture

Function	OSD	Range
PAL HORIZONTAL SHIFT	PHS	00-63
NTSC HORIZONTAL SHIFT	NHS	00-63
PAL E-W WIDTH	PEW	00-63
NTSC E-W WIDTH	NEW	00-63
PAL E-W PARABOLA	PEP	00-63
NTSC E-W PARABOLA	NEP	00-63
PAL E-W TRAPEZIUM	PET	00-63
NTSC E-W TRAPEZIUM	NET	00-63
PAL VERTICAL SLOPE	PSL	00-63
NTSC VERTICAL SLOPE	NSL	00-63
PAL VERTICAL AMPLITUDE	PVA	00-63
NTSC VERTICAL AMPLITUDE	NVA	00-63
PAL S CORRECTION	PSC	00-63
NTSC S CORRECTION	NSC	00-63

Function	OSD	Range
PAL VERTICAL SHIFT	PVS	00-63
NTSC VERTICAL SHIFT	NVS	00-63
PIP PAL HORIZONTAL SHIFT	HSP	05-20
PIP NTSC HORIZONTAL SHIFT	HSN	00-20
PIP PAL VERTICAL POSITION	PVP	00-33
PIP NTSC VERTICAL POSITION	PVN	00-33
PIP PAL HORIZONTAL POSITION	PHP	00-83
PIP NTSC HORIZONTAL POSITION	PHN	00-83

5. After the Factory Mode Adjustments are completed, return to the first menu and set up "Test Pattern," "Option" and "Bonus." Use the CHANNEL and VOLUME keys to position the cursor and make a selection:

7-Color Bar
Cross hatch
Red
Green
Blue

Test Pattern I

Kara-OK On
TTX On
Tuner CCIR
List
OSD Language Select

Option Bytes

OE	80
BON	01
WD	08
01	40
02	32
03	10
AMS	00
SVR	00

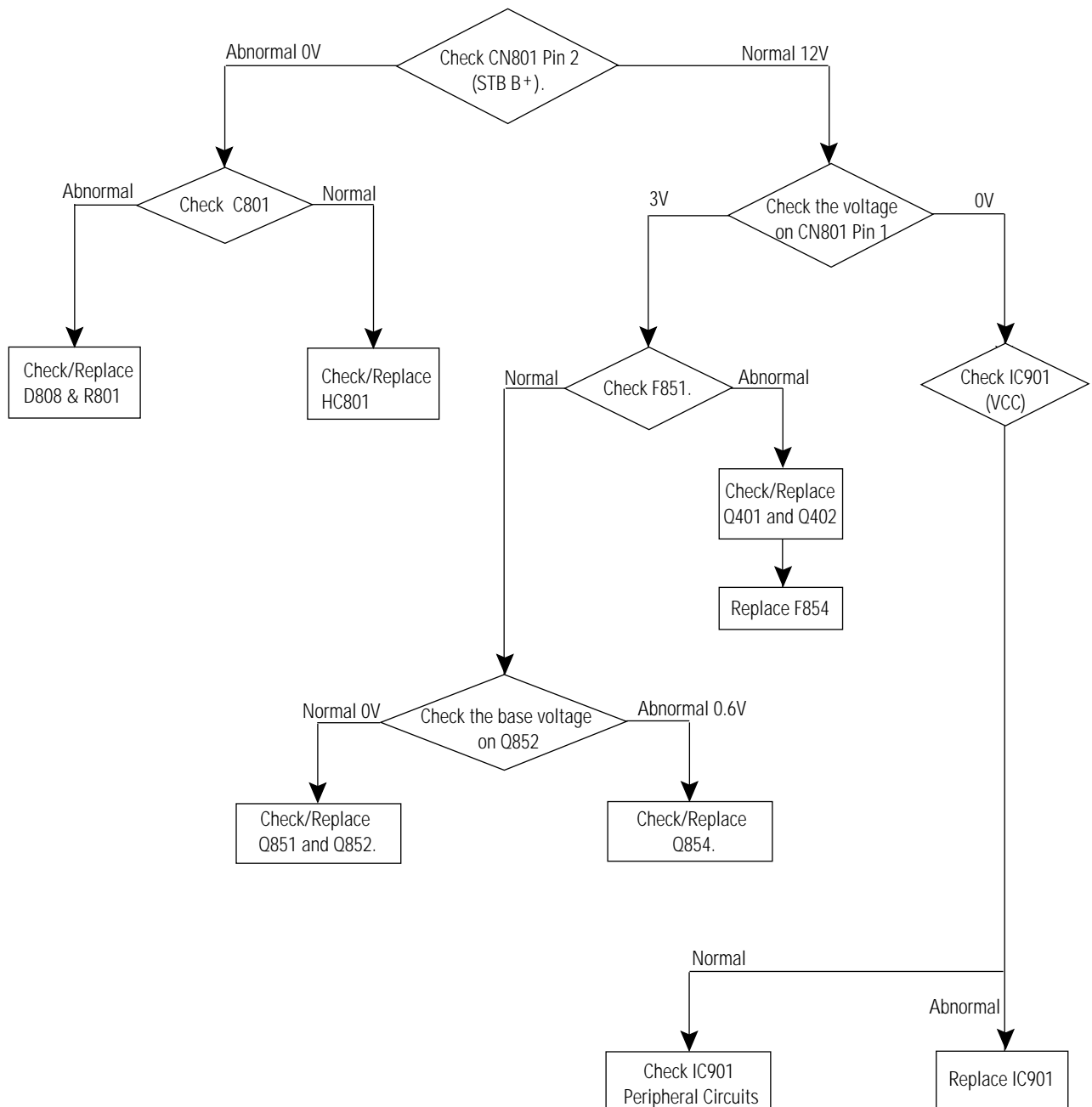
Bonus (see data, below)

Table 5-3	
Content	OSD
TDA4780 BLACK STRETCH	OE
TDA9170 BLACK OFFSET COMPENSATION ENABLE	BON
TDA9170 WINDOW SELECT	WD
USER VARIABLE GAMMA (TDA9170)	01
ADAPTIVE GAMMA (TDA9170)	02
NON LINEARITY AMPLITUDE (TDA9170)	03
AMPLITUDE SELECTION (TDA9170)	AMS
FULL SCREEN BLACK LEVEL (TDA9170)	SVR

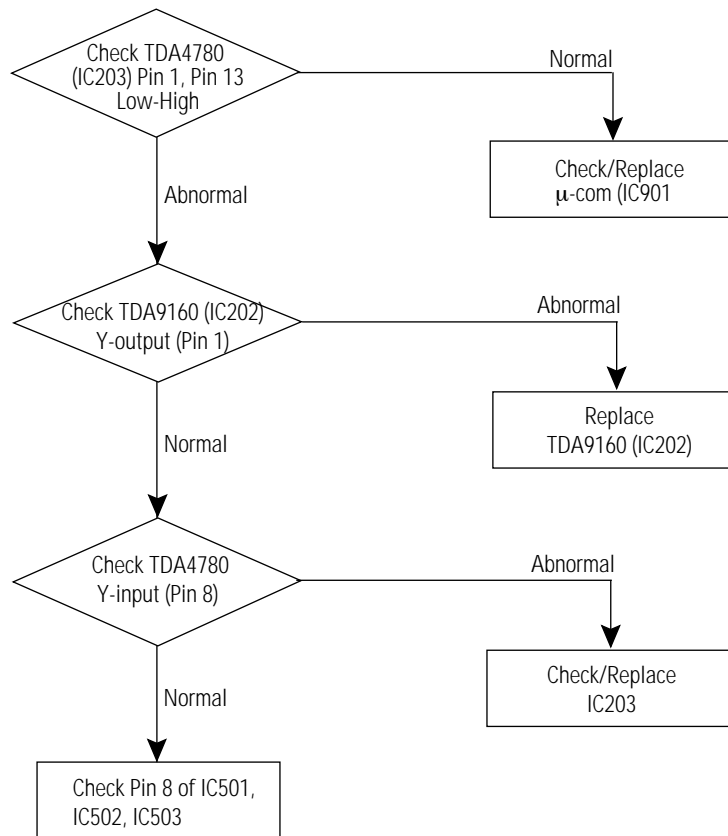
MEMO

6. Troubleshooting

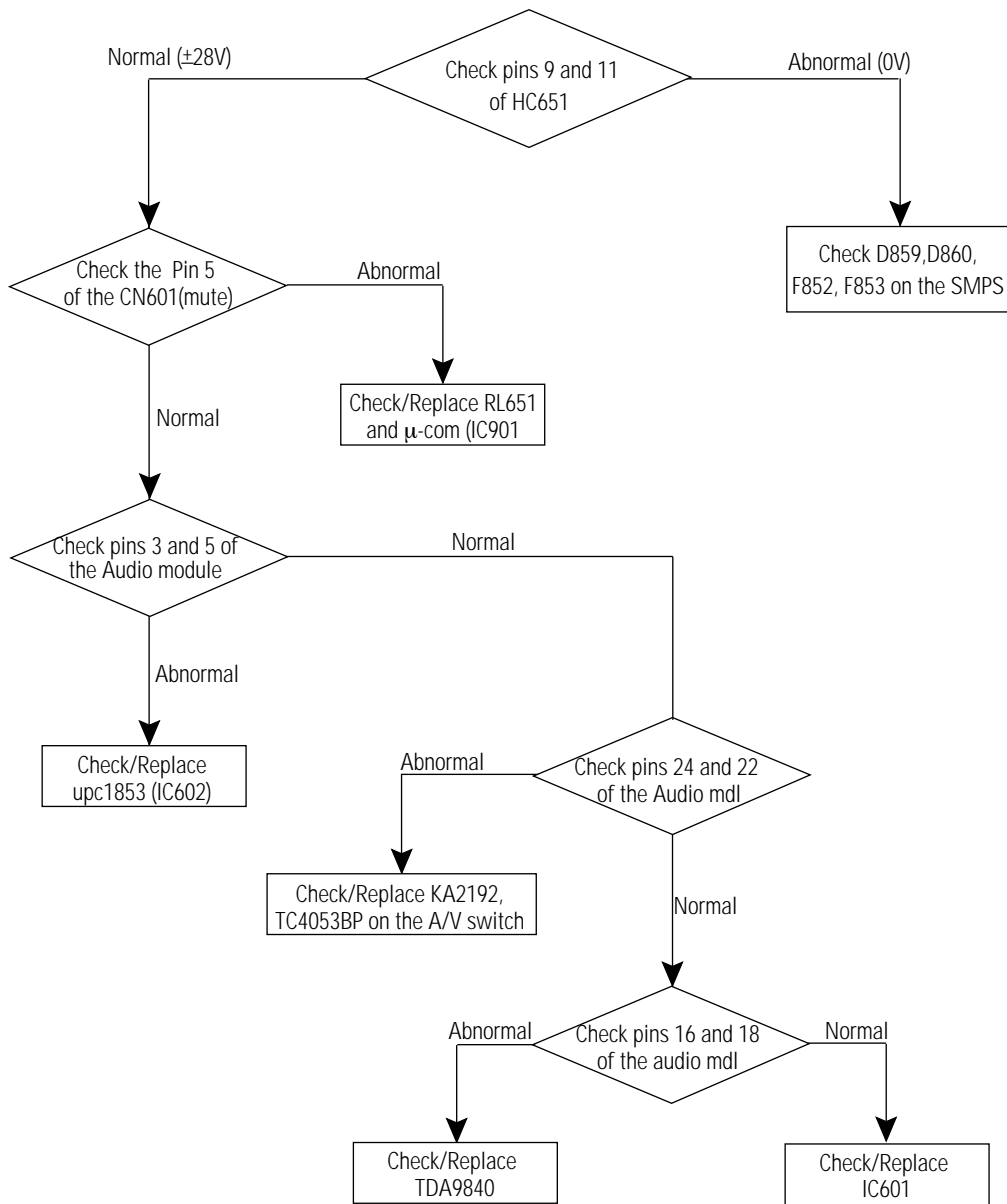
6-1 No Power



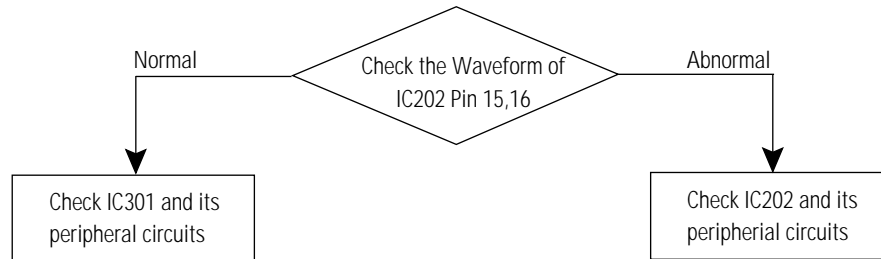
6-2 No Picture



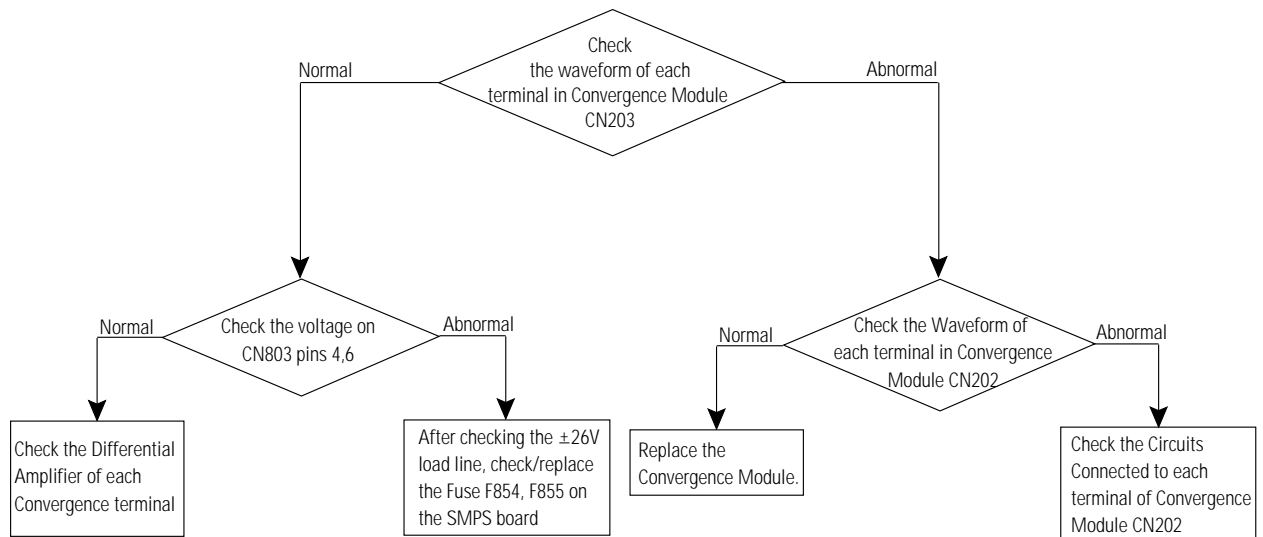
6-3 No Sound



6-4 Horizontal Line

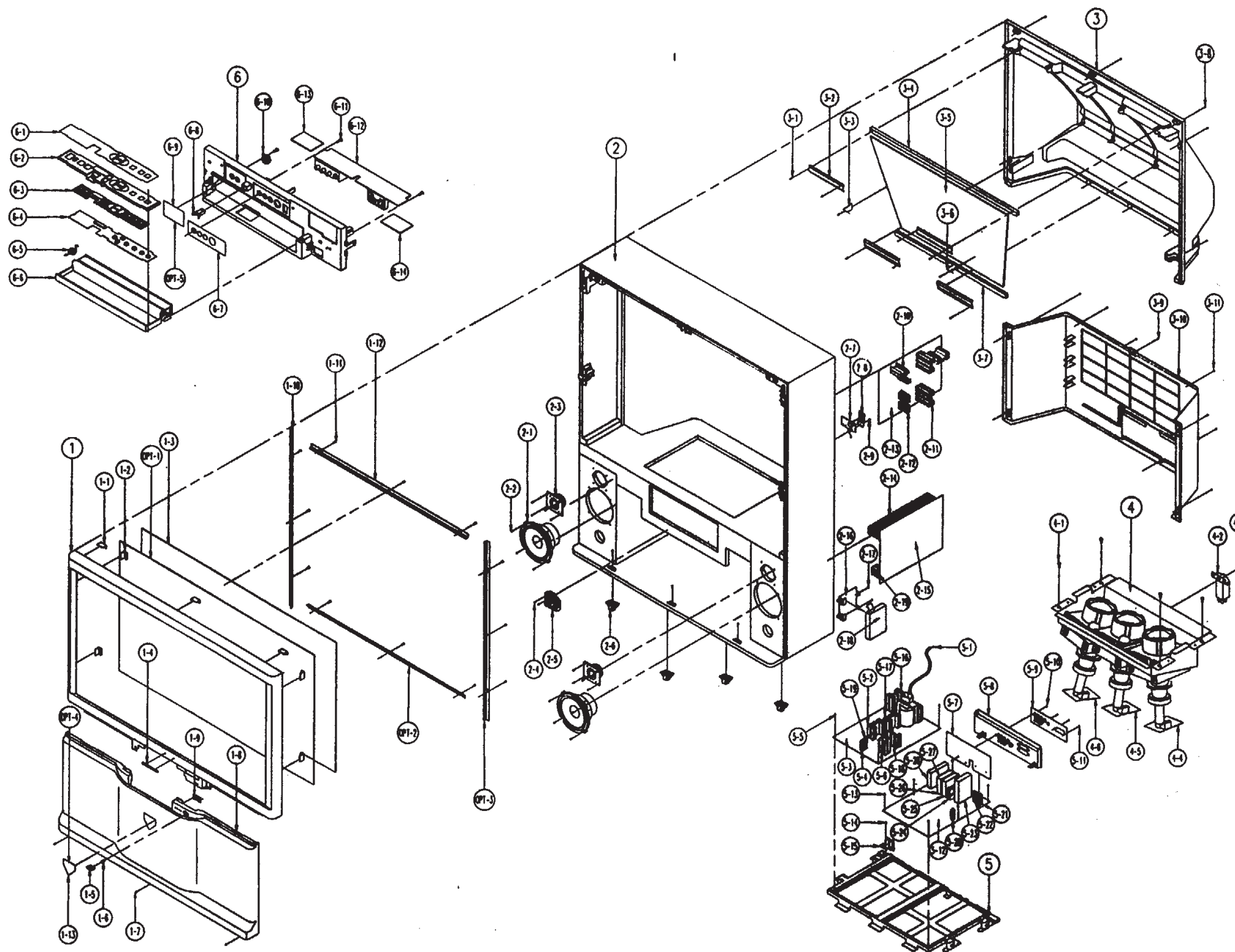


6-5 Convergence Misaligned



7. Exploded View & Parts List

7-1 SPM-4388PF/51AX



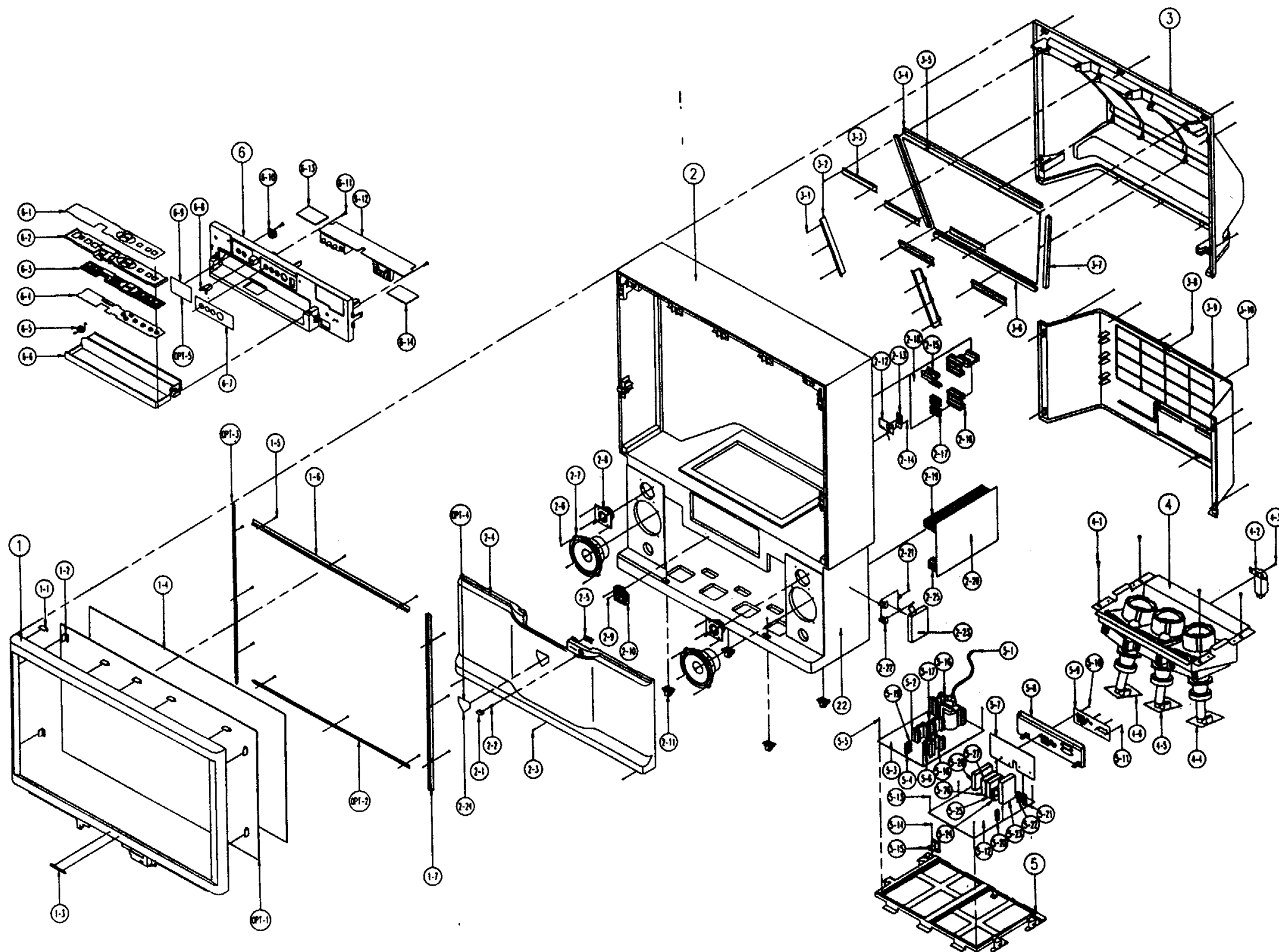
NO	DESCRIPTION	CODE NO	SPECIFICATION	QTY
1	CABINET-MASK	AA64-30512B	HIPS HB BLK	1
1-1	BOSS-CABINET	AA61-40026A	HIPS HB NTR	3
1-2	BOSS-CABINET	AA61-40025A	HIPS HB NTR	4
1-3	SCREEN-TINT	AA67-70031A	TINT 15% V-LINT1 T3	1
1-4	BADGE-BRAND	AA64-70105A	AL SS FLAT SILVER L70	1
1-5	KNOB-POWER	AA64-10360D	ABS HB BLK	1
1-6	SPRING-CS	AA61-60003A	SUS3 $\phi 4$ $\phi 5$ 007 H16 L7	1
1-7	SCREW-TAPTITE	AA60-10011A	HH + PC M4 L12 BLK	3
1-8	CABINET-BOTTOM	AA64-31070C	HIPS V0 BLK WP-1000	1
1-9	INDICATOR-LED	AA64-40218A	PC CLEAR	1
1-10	BRACKET-SCREEN, SIDE	AA61-10366A	SECC-1 T1.0	2
1-11	SCREW-TAPTITE	AA60-10011A	HH + PC M4 L12 BLK	12
1-12	BRACKET-SCREEN, BOT	AA61-10367A	SECC-1 T1.0	2
1-13	BADGE-DECO	AA64-70114A	AL TITANUM	1
OPT-1	SUN-SCREEN	AA67-70017A	TRAN = 82% T2	1
OPT-2	BRACKET-SCREEN, SIDE	AA61-10369A	SECC-1 T1.0(SUN SCREEN	2
OPT-3	BRACKET-SCREEN, BOT	AA61-10373A	SECC-1 T1.0(SUN SCREEN	2
OPT-4	BADGE-DECO	AA64-70115A	AL TITANUM	1
2	CABINET-MIDDLE	AA64-31069A	WOOD	1
2-1	SPEAKER	3001-000279	30W 8OHM 120MM MSE-50DF20	2
2-2	SCREW-TAPTITE	AA60-10012A	HH + PC M4 L18 BLK	16
2-3	SPEAKER	3001-000148	57BRZ0T 8R Z0W	2
2-4	SCREW-TAPTITE	AA60-10012A	HH + PC M4 L18 BLK	2
2-5	FOCUS-PACK	AA59-40002E	MHF 174-04	1
2-6	CASTER	-	TP4000	4
2-7	PCB-PREAMP	AA41-10436A	T1.6 W70 L40	1
2-8	BRACKET-PCB, RMC	AA61-10042A	SECC-1 T1.0	1
2-9	SCREW-TAPTITE	AA60-10011A	HH + PC M4 L12 BLK	1
2-10	HEATSINK-ES	AA62-30006A	A6063 EXTR WHT 55MM	1
2-11	HEATSINK-ES	AA62-30004F	A6063 EXTR WHT 70MM	1
2-12	HEATSINK-ES	AA62-30013A	A6063 EXTR T0-220 45	1

NO	DESCRIPTION	CODE NO	SPECIFICATION	QTY
2-13	ASSY-PCB, POWER	AA95-10002H	SPT51A PAL	1
2-14	HEATSINK-CONV	AA62-30001A	A6063 EXTR WHT	1
2-15	ASSY-PCB, CONVERGENCE	AA95-90001S	SPT51A PAL	1
2-16	BRACKET-MODULE	AA61-10049A	SECC-1 T0.6	1
2-17	SCREW-TAPPING	6002-000510	RH 3 * 8	3
2-18	ASSY-PCB, CONV, DC, MDL	AA95-90008J	SPT51A	1
2-19	HEATSINK-ES	AA96-50076A	QZ005, 2SC4635RB	1
3	CABINET-BACK, BOT	AA64-30433A	HIPS HB BLK	1
3-1	SCREW-TAPTITE	AA60-10011A	HH + PC M4 L12 BLK	1
3-2	BRACKET-MIRROR, A	AA61-10361A	SECC-1 T1.0	4
3-3	BRACKET-MIRROR, BL	AA61-10166A	SECC-1 T1.0	1
3-4	SPACER-MIRROR	AA63-60052C	HARD PVC BLK HB SOFT	1
3-5	MIRROR-FRONT	AA67-20010A	GLASS	1
3-6	BRACKET-MIRROR, BR	AA61-10168A	SECC-1 T1.0	1
3-7	SPACER-MIRROR	AA63-60052D	HARD PVC BLK HB SOFT	1
3-8	SCREW-TAPTITE	AA60-10012A	HH + PC M4 L18 BLK	7
3-9	SCREW-TAPTITE	AA60-10012A	HH + PC M4 L18 BLK	5
3-10	CABINET-BACK, BOT	AA64-30434A	HIPS V0 BLK	1
3-11	SCREW-TAPTITE	AA60-10011A	HH + PC M4 L12 BLK	4
4	BRACKET-CRT, MAIN	AA61-10380A	SECC-1 T1.6	1
4-1	SCREW-TAPTITE	AA60-10001A	M6 L20 SCM30C YEL	4
4-2	BRACKET-H, V	AA61-10149A	SECC-1 T1.0	1
4-3	SCREW-TAPTITE	AA60-10011A	HH + PC M4 L12 BLK	1
4-4	ASSY-CRT, RED	AA95-2000B	SPT51A PAL	1
4-5	ASSY-CRT, GREEN	AA95-2000C	SPT51A PAL	1
4-6	ASSY-CRT, BLUE	AA95-2000D	SPT51A PAL	1
5	HOLDER-CHASSIS	AA61-20142B	ABS V0 GRY	1
5-1	TRANS-FLYBACK	AA26-30001U	FBT FWZ-438001	1
5-2	HEATSINK-EN	AA96-50066B	Q402, 2SD1887YD	1
5-3	ASSY-PCB, DIFLECTION	AA96-90001R	SPT51A PAL	1
5-4	HEATSINK-ES	AA95-50149A	QV09, KSC815	1
5-5	SCREW-TAPPING	AA60-10008A	TM 3 * 10 YEL	6

NO	DESCRIPTION	CODE NO	SPECIFICATION	QTY
5-6	HEATSINK-ES	AA96-50141B	Q302, KSA614	1
5-7	ASSY-PCB, A/V SW	AA95-40002X	SPT51A PAL	1
5-8	TERMINAL-BOARD, ANT	AA63-40138A	HIPS HB BLK	1
5-9	INLAY-BACK	AA64-60286A	PS T0.5 BLK	1
5-10	SCREW-TAPPING	6002-000512	RH + 2 M4 L12 BLK	2
5-11	SCREW-TAPPING	6002-000512	RH + 2 M3 L10 BLK	2
5-12	ASSY-PCB, MAIN	AA94-20002M	SPR51A PAL	1
5-13	SCREW-TAPPING	AA60-10008A	TH + M3 L10 YEL	6
5-14	SCREW-TAPTITE	AA60-10011A	HH + PC M4 L12 BLK	1
5-15	HOLDER-CORD	AA61-20135B	HIPS V0 BLK	1
5-16	HEATSINK-ES	AA96-50163A	Q429, ISD1090	1
5-17	HEATSINK-ES	AA96-50066C	Q404, 2SD1880YD	1
5-18	HEATSINK-ES	AA96-50074A	IC301, TDA8350Q	1
5-19	HEATSINK-ES	AA96-50149B	QV08, 2SA1011	1
5-20	HEATSINK-ES	AA96-50147B	IC80001, KA7808	1
5-21	HEATSINK-ES	AA96-501555D	IC80003, KA78R12	1
5-22	HEATSINK-ES	AA96-50147C	IC80004, KA7809A	1
5-23	ASSY PCB-AUDIO	AA95-40004C	SPT51A	1
5-24	TUNER	AA40-10002N	TU01, TECC0889PA19C	1
5-25	ASSY-PCB-IF	AA95-90012B	SCT51A	1
5-26	ASSYPCB-TTX	AA95-90003U	SCT51A	1
5-27	TUNER	AA40-10002N	TU02, TECC0889PA19C	1
5-28	ASSY PCB-PIP	AA95-90003W	SCT51A	1
6	HOLDER-CONT, BOT	AA61-20102A	ABS HB BLK	1
6-1	INLAY-DOOR	AA64-60112B	PS T0.5 BLK	1
6-2	HOLDER-KEY	AA61-20114A	ABS HB BLK	1
6-3	KNOB-CONTROL, ASSY	AA64-10214C	ABS HB BLK	1
6-4	PCB-CONTROL	AA91-60049B	SPT51A PAL	1
6-5	SPRING-CS	AA61-60048A	SUS304 0.8 0D9.6 H6 N5	1
6-6	DOOR-BOTTOM	AA64-50082D	ABS HB BLK	1
6-7	INLAY-CONT, BOT	AA64-60264B	PS T0.3 BLK	1

NO	DESCRIPTION	CODE NO	SPECIFICATION	QTY
6-8	LATCH-DOOR	AA61-30001A	KIFUCO LA701	1
6-9	INLAY-MIC	AA64-60244A	PS T0.3 BLK	1
OPT-5	INLAY-MIC	AA64-60244B	PS T0.3 BLK	1
6-10	DAMPER-GEAR	AA61-80005B	20G OIL	1
6-11	SCREW-TAPPING	AA60-10002A	RH 4 * 12 YEL	2
6-12	ASSY-PCB, A/V S/W	AA95-40002T	SVP-460S	1

7-2 SPM-5288PF/51AX



NO	DESCRIPTION	CODE NO	SPECIFICATION	QTY
1	CABINET-FRONT	AA64-30005B	HIPS HB BLK	1
1-1	BOSS-CABINET	AA61-40026A	HIPS HB NTR	5
1-2	BOSS-CABINET	AA61-40012A	HIPS HB NTR	4
1-3	BADGE-BRAND	AA64-70105A	AL SS FLAT SILVER L70	1
1-4	SCREEN-TINT	AA67-70031A	TINT 15% V-LINT1 T3	1
1-5	SCREW-TAPTITE	AA60-10011A	HH + PC M4 L12 BLK	12
1-6	BRACKET-SCREEN,BOT	AA61-10368A	SECC-1 T1.0 5288	2
1-7	BRACKET-SCREEN,BOT	AA61-10367A	SECC-1 T1.0 4388	2
OPT-1	SUN-SCREEN	AA67-70048A	TRAN = 82% T2	1
OPT-2	BRACKET-SCREEN,BOT	AA61-10370A	SECC-1 T1.0 5288	2
OPT-3	BRACKET-SCREEN	AA61-10373A	SECC-1 T1.0 4388	2
2	CABINET-MIDDLE	AA64-31068A	WOOD	1
2-1	KNO-POWER	AA64-103600	ABS HB BLK	1
2-2	SPRING-CS	AA61-60003A	SUS 3 ϕ 4 ϕ 0.5 007 H16 L7	1
2-3	SCREW-TAPTITE	AA60-10011A	HH + PC M4 L12 BLK	3
2-4	CABINET-BOTTOM	AA64-30504F	HIPS HB BLK	1
2-5	INDICATOR	AA64-40218A	PC CLEAR	1
2-6	SCREW-TAPTITE	AA60-10012A	HH + PC M4 L18 BLK	16
2-7	SPEAKER	3001-000176	35W 80HM 92DB 150HZ	2
2-8	SPEAKER	3001-000153	20W 80HM 93DB 1.3KHZ	2
2-9	SCREW-TAPTITE	AA60-10012A	HH + PC M4 L18 BLK	2
2-10	FOCUS-PACK	AA59-40002E	MHF 174-04	1
2-11	CASTER	-	TP4000	4
2-12	PCB-PREAMP	AA41-10436A	T1.6 W70 L40	1
2-13	BRACKET-PCB,RMC	AA61-10042A	SECC-1 T1.0	1
2-14	SCREW-TAPTITE	AA60-10011A	HH + PC M4 L12 BLK	3
2-15	HEATSINK-ES	AA62-30006A	A6063 EXTR WHT 55MM	1
2-16	HEATSINK-ES	AA62-30004F	A6063 EXTR WHT 70MM	1
2-17	HEATSINK-ES	AA62-30013A	A6063 EXTR T0-220 45	1
2-18	ASSY-PCB,POWER	AA95-10002H	SPT51A PAL	1
2-19	HEATSINK-CONV	AA62-30001A	A6063 EXTR WHT	1

NO	DESCRIPTION	CODE NO	SPECIFICATION	QTY
2-20	ASSY-PCB,CONVERGENCE	AA95-90001S	SPT51A PAL	1
2-21	SCREW-TAPPING	6002-000510	RH 3* 8 BLK	3
2-22	BRACKET-MODULE	AA61-10049A	SECC-1 T0.6	1
2-23	ASSY-PCB,CONV,DC,MDL	AA95-90008J	SPT51A	1
2-24	BADGE-DECO	AA64-70114A	AL TITANUM	1
2-25	HEATSINK-ES	AA96-50076A	QZ005, 2SC4635RB	1
OPT-4	BADGE-DECO	AA64-70115A	AL TITANUM	1
3	CABINET-BACK, TOP	AA64-30714A	HIPS HB BLK	1
3-1	SCREW-TAPTITE	AA60-10011A	HH + PC M4 L12 BLK	16
3-2	BRACKET-MIRROR,C	AA61-10242A	SECC-1 T1.0	2
3-3	BRACKET-MIRROR,A	AA61-10361A	SECC-1 T1.0	5
3-4	SPACER-MIRROR	AA63-60052A	HARD PVC BLK HB SOFT	1
3-5	MIRROR-FRONT	AA67-20011A	GLASS 968 * 677	1
3-6	SPACER-MIRROR	AA63-60052B	HARD PVC BLK HB SOFT	1
3-7	SPACER-MIRROR	AA63-60052E	HARD PVC BLK HB SOFT	2
3-8	SCREW-TAPTITE	AA60-10012A	HH + PC M4 L18 BLK	1
3-9	CABINET-BACK,BOT	AA64-30434A	HIPS V0 BLK	1
3-10	SCREW-TAPTITE	AA60-10011A	HH + PC M4 L12 BLK	4
4	BRACKET-CRT,MAIN	AA61-10380A	SECC-1 T1.6	1
4-1	SCREW-TAPTITE	AA60-10001A	M6 L20 SCM30C YEL	4
4-2	BRACKET-H,V	AA61-10149A	SECC-1 T1.0	1
4-3	SCREW-TAPTITE	AA60-10011A	HH + PC M4 L12 BLK	1
4-4	ASSY-CRT,RED	AA95-2000B	SPT51A PAL	1
4-5	ASSY-CRT,GREEN	AA95-2000C	SPT51A PAL	1
4-6	ASSY-CRT,BLUE	AA95-2000D	SPT51A PAL	1
5	HOLDER-CHASSIS	AA61-20142B	ABS V0 GRV	1
5-1	TRANS-FLYBACK	AA26-30001U	FBT FWZ-43B001	1
5-2	HEATSINK-EN	AA96-50066B	Q402, 2SD1887YD	1
5-3	ASSY-PCB,DIFLECTION	AA96-90001R	SPT51A PAL	1
5-4	HEATSINK-ES	AA95-50149A	QV09, KSC815	1
5-5	SCREW-TAPPING	AA60-10008A	TH 3 * 10 YEL	4

NO	DESCRIPTION	CODE NO	SPECIFICATION	QTY
5-6	HEATSINK-ES	AA96-50141B	Q302, KSA614	1
5-7	ASSY-PCB, A/V SW	AA95-40002X	SPT51A PAL	1
5-8	TERMINAL-BOARD, ANT	AA63-40138A	HIPS HB BLK	1
5-9	INLAY-BACK	AA64-60286A	PS T0.5 BLK	1
5-10	SCREW-TAPPING	6002-000512	RH + 2 M4 L12 BLK	2
5-11	SCREW-TAPPING	6002-000505	RH + 2 M3 L10 BLK	2
5-12	ASSY-PCB, MAIN	AA94-20002M	SPR51A PAL	1
5-13	SCREW-TAPPING	AA60-10008A	TH + M3 L10 YEL	6
5-14	SCREW-TAPTITE	AA60-10011A	HH + PC M4 L12 BLK	1
5-15	HOLDER-CORD	AA61-20135B	HIPS V0 BLK	1
5-16	HEATSINK-ES	AA96-50163A	Q429, ISD1090	1
5-17	HEATSINK-ES	AA96-50066C	Q404, 2SD1880YD	1
5-18	HEATSINK-ES	AA96-50074A	IC301, TDA8350Q	1
5-19	HEATSINK-ES	AA96-50149B	QV08, 2SA1011	1
5-20	HEATSINK-ES	AA96-50147B	IC80001, KA7808	1
5-21	HEATSINK-ES	AA96-501555D	IC80003, KA78R12	1
5-22	HEATSINK-ES	AA96-50147C	IC80004, KA7809A	1
5-23	ASSY PCB-AUDIO	AA95-40004C	SPT51A	1
5-24	TUNER	AA40-10002N	TU01, TECC0889PA19C	1
5-25	ASSY-PCB-IF	AA95-90012B	SCT51A	1
5-26	ASSYPCB-TTX	AA95-90003U	SCT51A	1
5-27	TUNER	AA40-10002N	TU02, TECC0889PA19C	1
5-28	ASSY PCB-PIP	AA95-90003W	SCT51A	1
6	HOLDER-CONT, BOT	AA61-20102A	ABS HB BLK	1
6-1	INLAY-DOOR	AA64-60112B	PS T0.5 BLK	1
6-2	HOLDER-KEY	AA61-20114A	ABS HB BLK	1
6-3	KNOB-CONTROL, ASSY	AA64-10214C	ABS HB BLK	1
6-4	PCB-CONTROL	AA91-60049B	SPT51A PAL	1
6-5	SPRING-CS	AA61-60048A	SUS304 0.8 OD9.6 H6 N5	1
6-6	DOOR-BOTTOM	AA64-50082D	ABS HB BLK	1
6-7	INLAY-CONT, BOT	AA64-60264B	PS T0.3 BLK	1

NO	DESCRIPTION	CODE NO	SPECIFICATION	QTY
6-8	LATCH-DOOR	AA61-30001A	KIFUC0 LA701	1
6-9	INLAY-MIC	AA64-60244A	PS T0.3 BLK	1
OPT-5	INLAY-MIC	AA64-60244B	PS T0.3 BLK	1
6-10	DAMPER-GEAR	AA61-80005B	20G OIL	1
6-11	SCREW-TAPPING	AA60-10002A	RH 4 * 12 YEL	2
6-12	ASSY-PCB, A/V S/W	AA95-40002T	SVP-46DS	1

8. Areas and Option Specification

8-1 Local Specification & BOM option

Area	Country	Buyer	Model Name	Local Specification & Bom Option							Safety - Standard	Special Specification	Others	Introduction
				IF	Power ASSY	Power Code ASSY	MIC	TTX	I/B	MICOM				
S O U T H E A S T A S I A	CHINA	SEHK	SPM5288PF/HKX	AA95-90012B	AA95-10002H L802-4:10mH L848-9:10mH	AA96-20074A CP2	APPLIED (AA95-90001V)	AA95-90003U ENG FLOP	AA68-10761A CHI	RM130ECP (ENG/CHI)	SACI	GAUSS:300mg LATING:100-260V 50/60Hz, MIC PLUG-CONV	PB1209	
	INDONESIA	SME	SPM5288PF/SMEK	AA95-90003V	AA95-10008P L802-4:2mH L848-9:10mH (2902-001001)	AA96-20074A CP2	NOT APPLIED	AA95-90003U ENG FLOF	AA68-10759A ENG AA68-10766A IND	RM130ETP (ENG/TAI/M AL/IND)		GAUSS:-200mG RATING:100-260V 50/60Hz	PB1206	OCT, 96
	SINGAPORE	S'PORE	SPM4388PF/SAPX SPM5288PF/SAPX	AA95-90003V	AA95-10002H L802-4:10mH L848-9:10mH	AA96-20074A CP2	NOT APPLIED	AA95-90003U ENG FLOF	AA68-10759A ENG	RM130ECP (ENG/CHI)	SISIR	GAUSS:-150mG LATING:230V 50Hz	PB1267 PB1208	OCT, 96
	MYANMAR	MUR	SPM5288PF/MURX	AA95-90003V	AA95-10008P L802-4:2mH L848-9:2mH (2902-001001)	AA96-20074A CP2	NOT APPLIED	AA9590003U ENG FLOF	AA68-10759A ENG	RM130ETP (ENG/TAI/ MAL/IND)		GAUSS:100mG LATING:100-260V 50/60Hz W/C, CP2	PB1207	OCT, 96
	MALAYSIA	SMARINA	SPM5288PF/MARX	AA95-90003V	AA95-10002H L802-4:10mH L848-9:10mH	AA96-20074A CP2	NOT APPLIED	AA95-90003U ENG FLOF	AA68-10759A ENG	RM130ETP (ENG/TAI/ MAL/IND)	SSIR	GAUSS:-100mG LATING:230V50Hz Same Specification as Singapore	PB1243	
	THAILAND	TSE	SPM5288PF/TSEX	AA95-90003V	AA95-10008P L802-4:2mH L848-9:2mH (2902-001001)	AA96-20052C	NOT APPLIED	AA95-90003U ENG FLOP	AA68-10759A ENG	RM130ETP (ENG/TAI/ MAL/IND)		GAUSS:100mG LATING:100-260V 50/60Hz W/C, EP2-NO	PB1244	NOV,96
	VIETNAM	SAVINA	SPM5288PF/SVIX	AA95-90003V	AA95-10008P L802-4:2mH L848-9:2mH (2902-001001)	AA96-20074A CP2	NOT APPLIED	AA95-90003U ENG FLOF	AA68-10759A ENG	RM130ETP (ENG/TAI/ MAL/IND)		GAUSS:100mG LATING:100-260V 50/60Hz W/C	PB1241	NOV,96
	INDIA	SIEL	SPM5288PF/SIX	AA95-90003V	AA95-10008P L802-4:2mH L848-9:2mH (2902-001001)	AA96-20054C	NOT APPLIED	AA95-90003U FLOP	AA68-10759A ENG	RM130ETP ENG		GAUSS:100mG LATING:100-260V 50/60Hz	PB1246	NOV,96
M I D D L E	SAUDI-A	ZAMA	SPM4388PF/ZAX SPM5288PF/ZAX	AA95-90003V	AA95-10002H L802-4:10mH L848-9:10mH	AA96-20074A	NOT APPLIED	AA95-90003U ENG FLOF	AA68-10759A ENG AA68-10760A ARAB	RM130EAP ENG/ARAB	SASO Non- forced Stan- dard	GAUSS:200mG LATING:100-260V (WARRANTY CARD) 50/60Hz	PB1265 PB1042	SEP, 96
	U.A.E	SGE	SPM4388PF/SGEX SPM5288PF/SGEX	AA95-90003V	AA95-10008P L802-4:2mH L848-9:2mH (2902-001001)	AA96-20074A	NOT APPLIED	AA95-90003U ENG FLOF	AA68-10759A ENG AA68-10760A ARAB	RM130EAP ENG/ARAB		GAUSS:200mG LATING:100-260V 50/60Hz	PB1266 PB1042	SEP, 96

8-1 Local Specification & BOM option (Continued)

Area	Country	Buyer	Model Name	Local Specification & Bom Option							Safety - Standard	Special Specification	Others	Introduction
				IF	Power ASSY	Power Code ASSY	MIC	TTX	I/B	MICOM				
S O U T H E A S T A S I A	CHINA	SEHK	SPM5288PF/HKX	AA95-90012B	AA95-10002H L802-4:10mH L848-9:10mH	AA96-20074A CP2	APPLIED (AA95-90001V)	AA95-90003U ENG FLOP	AA68-10761A CHI	RM130ECP (ENG/CHI)	SACI	GAUSS:300mg LATING:100-260V 50/60Hz, MIC PLUG-CONV	PB1209	
	INDONESIA	SME	SPM5288PF/SMEX	AA95-90003V	AA95-10008P L802-4:2mH L848-9:10mH (2902-001001)	AA96-20074A CP2	NOT APPLIED	AA95-90003U ENG FLOP	AA68-10759A ENG AA68-10766A IND	RM130ETP (ENG/TAI/M AL/IND)		GAUSS:-200mG RATING:100-260V 50/60Hz	PB1206	OCT, 96
	SINGAPORE	S'PORE	SPM4388PF/SAPX SPM5288PF/SAPX	AA95-90003V	AA95-10002H L802-4:10mH L848-9:10mH	AA96-20074A CP2	NOT APPLIED	AA95-90003U ENG FLOP	AA68-10759A ENG	RM130ECP ENG/CHI)	SISIR	GAUSS:-150mG LATING:230V 50Hz	PB1267 PB1208	OCT, 96
	MYANMAR	MUR	SPM5288PF/MURX	AA95-90003V	AA95-10008P L802-4:2mH L848-9:2mH (2902-001001)	AA96-20074A CP2	NOT APPLIED	AA9590003U ENG FLOP	AA68-10759A ENG	RM130ETP (ENG/TAI/ MAL/IND)		GAUSS:100mG LATING:100-260V 50/60Hz W/C, CP2	PB1207	OCT, 96
	MALAYSIA	SMARINA	SPM5288PF/MARX	AA95-90003V	AA95-10002H L802-4:10mH L848-9:10mH	AA96-20074A CP2	NOT APPLIED	AA95-90003U ENG FLOP	AA68-10759A ENG	RM130ETP (ENG/TAI/ MAL/IND)	SSIR	GAUSS:-100mG LATING:230V50Hz Same Specification as Singapore	PB1243	
	THAILAND	TSE	SPM5288PF/TSEX	AA95-90003V	AA95-10008P L802-4:2mH L848-9:2mH (2902-001001)	AA96-20052C	NOT APPLIED	AA95-90003U ENG FLOP	AA68-10759A ENG	RM130ETP (ENG/TAI/ MAL/IND)		GAUSS:100mG LATING:100-260V 50/60Hz W/C, EP2-NO	PB1244	NOV,96
	VIETNAM	SAVINA	SPM5288PF/SVIX	AA95-90003V	AA95-10008P L802-4:2mH L848-9:2mH (2902-001001)	AA96-20074A CP2	NOT APPLIED	AA95-90003U ENG FLOP	AA68-10759A ENG	RM130ETP (ENG/TAI/ MAL/IND)		GAUSS:100mG LATING:100-260V 50/60Hz W/C	PB1241	NOV,96
	INDIA	SIEL	SPM5288PF/SIX	AA95-90003V	AA95-10008P L802-4:2mH L848-9:2mH (2902-001001)	AA96-20054C	NOT APPLIED	AA95-90003U FLOP	AA68-10759A ENG	RM130ETP ENG		GAUSS:100mG LATING:100-260V 50/60Hz	PB1246	NOV,96
M I D D L E	SAUDI-A	ZAMA	SPM4388PF/ZAX SPM5288PF/ZAX	AA95-90003V	AA95-10002H L802-4:10mH L848-9:10mH	AA96-20074A	NOT APPLIED	AA95-90003U ENG FLOP	AA68-10759A ENG AA68-10760A ARAB	RM130EAP ENG/ARAB	SASO Non- forced Stand- ard	GAUSS:200mG LATING:100-260V (WARRANTY CARD) 50/60Hz	PB1265 PB1042	SEP, 96
	U.A.E	SGE	SPM4388PF/SGEX SPM5288PF/SGEX	AA95-90003V	AA95-10008P L802-4:2mH L848-9:2mH (2902-001001)	AA96-20074A	NOT APPLIED	AA95-90003U ENG FLOP	AA68-10759A ENG AA68-10760A ARAB	RM130EAP ENG/ARAB		GAUSS:200mG LATING:100-260V 50/60Hz	PB1266 PB1042	SEP, 96

8-1 Local Specification & BOM option (Continued)

Area	Country	Buyer	Model Name	Local Specification & Bom Option							Safety - Standard	Special Specification	Others	Introduction
				IF	Power ASSY	Power Code ASSY	MIC	TTX	I/B	MICOM				
AFRICA	GHANA	AFKO	SPM5288PF/AMEX	AA95-90003V	AA95-10008P L802~4:2mH L848~9:2mH	AA96-20074A	NOT APPLIED	AA95-90003U FLOP	AA68-10759A ENG	RM130EAP ENG/ ARAB	NONE	GAUSS:500mg LATING:100~260V 50/60Hz	PB1374	MAR,96
S O U T H E A S T A S I A	AUSTRALIA	SEAU	SPM4388PF/SEUX SPM5288PF/SEUX	AA95-90003V	AA95-10008P L802~4:10mH L848~9:10mH	AA96-20055C	NOT APPLIED	AA95-90003U LIST	AA68-10759A ENG	RM130ECP ENG/CHI		GAUSS:-500mG RATING:240V 50/60Hz, AP2	PB1415 PB1415	
	TAHITI	SAM	SPM5288PF/TAHX	AA95-90003V	AA95-10002H L802~4:10mH L848~9:10mH	AA96-20074A	NOT APPLIED	AA95-90003U FLOF	AA68-10759A ENG	RM130EAP ENG		GAUSS:-500mG LATING:220V 60Hz	PB1417	OCT, 96
	BANGLADESH	ELECTRA	SPM4388PF/ELHX SPM5288PF/ELHX	AA95-90003V	AA95-10008H L802~4:2mH L848~9:2mH	AA96-20074A	NOT APPLIED	AA95-90003U FLOF	AA68-10759A ENG	RM130EAP ENG/ ARAB		GAUSS:100mG LATING:100~260V 50/60Hz	PB1435 PB1434	
	CHINA	SEHK	SPM4388PF/HKX	AA95-90012B	AA95-10002H L802~4:10mH L848~9:10mH	AA96-20074A CP2	APPLIED (AA95- 90001V)	AA95-90003U ENG FLOP	AA68-10761A CHI	RM130ECP (ENG/CHI)	SACI	GAUSS:300mG LATING:100~220V 50/60Hz, MIC PLUG-CONV.	PB1436	

* Dissimilar Potion Specification (among assays)

1. Audio: AA95-40004L NICAM(for all SPT51A models)
AA95-40004Q No NICAM
2. IF :AA95-90003V All (excepting Czecho, China)
AA95-90004E Czecho (SFE 6.25MC Ceramic Filter used)
AA95-90012B China
3. PIP : AA95-90003W for 2 tuner
AA95-90004R for 1 tuner
4. TTX : AA95-90003U English-TTX countries
AA95-90003Y eastern Europe

5. MICOM

RM130EAP (English/ Arabian)

RM130ECP (English/ Chinese)

RM130ERP (English/ Russian)

RM130ETP (English/ Thai/ Malay/ Indonesian)

RM130EUP (English/ Yugo/ Czecho/ Rumania/ Croatia)

9. Electric Parts List

9-1. SPM4388PF

Loc. No.	Code No.	Description ; Specification	Remark	Loc. No.	Code No.	Description ; Specification	Remark
ASSY-PCB,MAIN							
*	AA94-10088	LASSY-PCB,MAIN(OPT);SPM4388PF/SGEX,SPT51A		C238	2305-000665	C-FILM,MPEF;100nF,5%,63V,TP,7.5x4.0x5.0m	
BRKT	AA61-10360	ABRACKET-MODULE;-,-,CUS-1 1/2H,T0.5,-,SCT		C239	2305-000665	C-FILM,MPEF;100nF,5%,63V,TP,7.5x4.0x5.0m	
C1001	2401-001840	C-AL:100uF,20%,16V,GP,TP,6.3x11,5		C240	2305-000665	C-FILM,MPEF;100nF,5%,63V,TP,7.5x4.0x5.0m	
C1002	2306-000122	C-FILM,MPPF;100nF,5%,50V,TP,7.3x4.0x5.0m		C241	2305-000665	C-FILM,MPEF;100nF,5%,63V,TP,7.5x4.0x5.0m	
C1003	2401-000962	C-AL:22uF,20%,50V,GP,TP,5x11,5		C242	2305-000354	C-FILM,MPEF;330NF,5%,50V,TP,7.3x4.8x5.5M	
C1004	2306-000122	C-FILM,MPPF;100nF,5%,50V,TP,7.3x4.0x5.0m		C243	2401-000603	C-AL:1uF,20%,50V,GP,TP,5x11,5	
C1005	2305-000665	C-FILM,MPEF;100nF,5%,63V,TP,7.5x4.0x5.0m		C244	2401-001668	C-AL:68uF,20%,16V,GP,TP,5x11,5	
C1006	2401-001840	C-AL:100uF,20%,16V,GP,TP,6.3x11,5		C245	2301-000342	C-FILM,PEF;2.2nF,5%,50V,TP,7.4x3.9x13mm,	
C1007	2401-000027	C-AL:4.7uF,20%,50V,GP,TP,5x11,5		C246*	2201-000273	C-CERAMIC,DISC;18pF,5%,50V,CH,TP,5x3mm,5	
C1008	2201-000982	C-CERAMIC,DISC;10nF,+80-20%,50V,Y5V,TP,6		C247*	2401-000603	C-AL:1uF,20%,50V,GP,TP,5x11,5	
C1009	2401-001840	C-AL:100uF,20%,16V,GP,TP,6.3x11,5		C248	2401-000922	C-AL:22uF,20%,16V,GP,TP,5x5,5	
C1015	2401-001840	C-AL:100uF,20%,16V,GP,TP,6.3x11,5		C249	2305-000355	C-FILM,MPEF;330nF,5%,63V,TP,-5mm	
C1016	2305-000665	C-FILM,MPEF;100nF,5%,63V,TP,7.5x4.0x5.0m		C250	2301-000148	C-FILM,PEF;10nF,5%,100V,TP,7x3.2x7mm,5mm	
C200	2201-000144	C-CERAMIC,DISC;100pF,5%,50V,CH,TP,8x3,5		C251	2301-000148	C-FILM,PEF;10nF,5%,100V,TP,7x3.2x7mm,5mm	
C201	2401-001840	C-AL:100uF,20%,16V,GP,TP,6.3x11,5		C252	2301-000148	C-FILM,PEF;10nF,5%,100V,TP,7x3.2x7mm,5mm	
C202	2305-000665	C-FILM,MPEF;100nF,5%,63V,TP,7.5x4.0x5.0m		C253	2301-000148	C-FILM,PEF;10nF,5%,100V,TP,7x3.2x7mm,5mm	
C203	2305-000665	C-FILM,MPEF;100nF,5%,63V,TP,7.5x4.0x5.0m		C254	2401-002144	C-AL:47uF,20%,16V,GP,TP,5x11,5	
C204	2309-000138	C-FILM,PE-PF;100nF,5%,50V,TP,20x16x8,5		C255	2305-000665	C-FILM,MPEF;100nF,5%,63V,TP,7.5x4.0x5.0m	
C205	2201-000483	C-CERAMIC,DISC;33pF,5%,50V,CH,TP,5x3,5		C256	2301-000148	C-FILM,PEF;10nF,5%,100V,TP,7x3.2x7mm,5mm	
C206	2305-000665	C-FILM,MPEF;100nF,5%,63V,TP,7.5x4.0x5.0m		C257	2305-000665	C-FILM,MPEF;100nF,5%,63V,TP,7.5x4.0x5.0m	
C207	2305-000665	C-FILM,MPEF;100nF,5%,63V,TP,7.5x4.0x5.0m		C258	2301-000383	C-FILM,PEF;10nF,5%,50V,TP,6x7x3.2mm,5mm	
C208	2301-000232	C-FILM,PEF;3.3nF,5%,50V,TP,8.1x4.5x13mm,		C259	2305-000665	C-FILM,MPEF;100nF,5%,63V,TP,7.5x4.0x5.0m	
C209	2305-000665	C-FILM,MPEF;100nF,5%,63V,TP,7.5x4.0x5.0m		C260	2301-000383	C-FILM,PEF;10nF,5%,50V,TP,6x7x3.2mm,5mm	
C210	2305-000665	C-FILM,MPEF;100nF,5%,63V,TP,7.5x4.0x5.0m		C261	2305-000665	C-FILM,MPEF;100nF,5%,63V,TP,7.5x4.0x5.0m	
C2101	2305-000289	C-FILM,MPEF;220nF,5%,63V,TP,-5mm		C262	2301-000383	C-FILM,PEF;10nF,5%,50V,TP,6x7x3.2mm,5mm	
C2102	2305-000289	C-FILM,MPEF;220nF,5%,63V,TP,-5mm		C265	2401-000922	C-AL:22uF,20%,16V,GP,TP,5x5,5	
C2103	2305-000289	C-FILM,MPEF;220nF,5%,63V,TP,-5mm		C266	2305-000665	C-FILM,MPEF;100nF,5%,63V,TP,7.5x4.0x5.0m	
C2104	2305-000289	C-FILM,MPEF;220nF,5%,63V,TP,-5mm		C268	2305-000665	C-FILM,MPEF;100nF,5%,63V,TP,7.5x4.0x5.0m	
C2105	2305-000289	C-FILM,MPEF;220nF,5%,63V,TP,-5mm		C269	2401-000947	C-AL:22uF,20%,35V,GP,TP,5x11,5	
C2106	2305-000289	C-FILM,MPEF;220nF,5%,63V,TP,-5mm		C270	2305-000665	C-FILM,MPEF;100nF,5%,63V,TP,7.5x4.0x5.0m	
C2107	2305-000665	C-FILM,MPEF;100nF,5%,63V,TP,7.5x4.0x5.0m		C271	2306-000122	C-FILM,MPPF;100nF,5%,50V,TP,7.3x4.0x5.0m	
C2108	2401-001840	C-AL:100uF,20%,16V,GP,TP,6.3x11,5		C274	2401-002144	C-AL:47uF,20%,16V,GP,TP,5x11,5	
C2109	2201-000611	C-CERAMIC,DISC;56pF,5%,50V,CH,TP,6.5x3,5		C275	2301-000383	C-FILM,PEF;10nF,5%,50V,TP,6x7x3.2mm,5mm	
C211	2305-000665	C-FILM,MPEF;100nF,5%,63V,TP,7.5x4.0x5.0m		C277	2306-000122	C-FILM,MPPF;100nF,5%,50V,TP,7.3x4.0x5.0m	
C2110	2201-000234	C-CERAMIC,DISC;150pF,5%,50V,CH,TP,9.5x3,		C278	2401-002144	C-AL:47uF,20%,16V,GP,TP,5x11,5	
C2111	2201-000504	C-CERAMIC,DISC;39pF,5%,50V,SL,TP,-,5		C279	2306-000122	C-FILM,MPPF;100nF,5%,50V,TP,7.3x4.0x5.0m	
C2112	2401-000027	C-AL:4.7uF,20%,50V,GP,TP,5x11,5		C280	2306-000122	C-FILM,MPPF;100nF,5%,50V,TP,7.3x4.0x5.0m	
C212	2305-000355	C-FILM,MPEF;330nF,5%,63V,TP,-5mm		C281	2401-000947	C-AL:22uF,20%,35V,GP,TP,5x11,5	
C213	2301-000232	C-FILM,PEF;3.3nF,5%,50V,TP,8.1x4.5x13mm,		C282	2301-000383	C-FILM,PEF;10nF,5%,50V,TP,6x7x3.2mm,5mm	
C214	2301-000016	C-FILM,PEF;22nF,5%,100V,TP,7.2x4.5x9.0mm		C283	2201-000375	C-CERAMIC,DISC;220pF,5%,50V,RH,TP,9.5x3.	
C215	2305-000665	C-FILM,MPEF;100nF,5%,63V,TP,7.5x4.0x5.0m		C284	2301-000383	C-FILM,PEF;10nF,5%,50V,TP,6x7x3.2mm,5mm	
C216	2201-000144	C-CERAMIC,DISC;100pF,5%,50V,CH,TP,8x3,5		C285	2301-000261	C-FILM,PEF;4.7nF,5%,100V,TP,10.5x12.5x6.	
C217	2201-000471	C-CERAMIC,DISC;330pF,10%,50V,Y5P,TP,5x3,		C286	2301-000383	C-FILM,PEF;10nF,5%,50V,TP,6x7x3.2mm,5mm	
C218	2201-000375	C-CERAMIC,DISC;220pF,5%,50V,RH,TP,9.5x3.		C287	2401-001333	C-AL:470nF,20%,50V,GP,TP,5x11,5	
C219	2305-000354	C-FILM,MPEF;330NF,5%,50V,TP,7.3X4.8X5.5M		C288	2301-000383	C-FILM,PEF;10nF,5%,50V,TP,6x7x3.2mm,5mm	
C220	2201-000375	C-CERAMIC,DISC;220pF,5%,50V,RH,TP,9.5x3.		C289	2201-000375	C-CERAMIC,DISC;220pF,5%,50V,RH,TP,9.5x3.	
C221	2201-000144	C-CERAMIC,DISC;100pF,5%,50V,CH,TP,8x3,5		C290	2301-000383	C-FILM,PEF;10nF,5%,50V,TP,6x7x3.2mm,5mm	
C222	2305-000665	C-FILM,MPEF;100nF,5%,63V,TP,7.5x4.0x5.0m		C291	2301-000383	C-FILM,PEF;10nF,5%,50V,TP,6x7x3.2mm,5mm	
C223	2401-001840	C-AL:100uF,20%,16V,GP,TP,6.3x11,5		C292	2201-000961	C-CERAMIC,DISC;10pF,0.5pF,50V,RH,TP,5x3m	
C224	2305-000665	C-FILM,MPEF;100nF,5%,63V,TP,7.5x4.0x5.0m		C293	2201-000961	C-CERAMIC,DISC;10pF,0.5pF,50V,RH,TP,5x3m	
C225	2305-000665	C-FILM,MPEF;100nF,5%,63V,TP,7.5x4.0x5.0m		C294	2401-000027	C-AL:4.7uF,20%,50V,GP,TP,5x11,5	
C226	2401-000027	C-AL:4.7uF,20%,50V,GP,TP,5x11,5		C295	2301-000383	C-FILM,PEF;10nF,5%,50V,TP,6x7x3.2mm,5mm	
C227	2401-000027	C-AL:4.7uF,20%,50V,GP,TP,5x11,5		C296	2201-000193	C-CERAMIC,DISC;10pF,0.3pF,50V,CH,TP,5x3,	
C228	2306-000122	C-FILM,MPPF;100nF,5%,50V,TP,7.3x4.0x5.0m		C297	2306-000122	C-FILM,MPPF;100nF,5%,50V,TP,7.3x4.0x5.0m	
C229	2401-001840	C-AL:100uF,20%,16V,GP,TP,6.3x11,5		C298	2401-002289	C-AL:470uF,20%,35V,WT,TP,10x20,5	
C230	2305-000289	C-FILM,MPEF;220nF,5%,63V,TP,-5mm		C299	2201-000144	C-CERAMIC,DISC;100pF,5%,50V,CH,TP,8x3,5	
C231	2305-000289	C-FILM,MPEF;220nF,5%,63V,TP,-5mm		C601	2401-002144	C-AL:47uF,20%,16V,GP,TP,5x11,5	
C232	2305-000289	C-FILM,MPEF;220nF,5%,63V,TP,-5mm		C602	2305-000665	C-FILM,MPEF;100nF,5%,63V,TP,7.5x4.0x5.0m	
C233	2305-000665	C-FILM,MPEF;100nF,5%,63V,TP,7.5x4.0x5.0m		C603	2401-001840	C-AL:100uF,20%,16V,GP,TP,6.3x11,5	
C234	2305-000665	C-FILM,MPEF;100nF,5%,63V,TP,7.5x4.0x5.0m		C605	2401-000471	C-AL:10uF,20%,50V,BP,TP,5x11,5mm	
C235	2305-000665	C-FILM,MPEF;100nF,5%,63V,TP,7.5x4.0x5.0m		C606	2401-001840	C-AL:100uF,20%,16V,GP,TP,6.3x11,5	
C236	2305-000665	C-FILM,MPEF;100nF,5%,63V,TP,7.5x4.0x5.0m		C8001	2401-000302	C-AL:100uF,20%,25V,GP,TP,6.3x11,5	
C237	2305-000665	C-FILM,MPEF;100nF,5%,63V,TP,7.5x4.0x5.0m		C8002	2305-000665	C-FILM,MPEF;100nF,5%,63V,TP,7.5x4.0x5.0m	
				C8003	2305-000665	C-FILM,MPEF;100nF,5%,63V,TP,7.5x4.0x5.0m	
				C8004	2401-001840	C-AL:100uF,20%,16V,GP,TP,6.3x11,5	
				C8005	2305-000665	C-FILM,MPEF;100nF,5%,63V,TP,7.5x4.0x5.0m	
				C8006	2401-000832	C-AL:220uF,20%,25V,GP,TP,8x11.5,5	

Electric Parts List

Loc. No.	Code No.	Description ; Specification	Remark	Loc. No.	Code No.	Description ; Specification	Remark
C8008	2305-000665	C-FILM,MPEF:100nF,5%,63V,TP,7.5x4.0x5.0m		CZ306	2305-000289	C-FILM,MPEF:220nF,5%,63V,TP,-,5mm	
C8009	2401-000832	C-AL:220uF,20%,25V,GP,TP,8x11.5,5		CZ307	2305-000289	C-FILM,MPEF:220nF,5%,63V,TP,-,5mm	
C8010	2401-002594	C-AL:220uF,20%,16V,GP,TP,8x11.5,5		CZ308	2305-000354	C-FILM,MPEF:330nF,5%,50V,TP,7.3x4.8x5.5M	
C8012	2305-000665	C-FILM,MPEF:100nF,5%,63V,TP,7.5x4.0x5.0m		CZ310	2201-000281	C-CERAMIC,DISC:1nF,79.8,50V,Y5V,TP,4x3.5	
C8013	2401-001397	C-AL:470uF,20%,25V,GP,TP,10x16,5		CZ311	2306-000122	C-FILM,MPPF:100nF,5%,50V,TP,7.3x4.0x5.0m	
C8014	2401-001840	C-AL:100uF,20%,16V,GP,TP,6.3x11,5		CZ312	2401-000302	C-AL:100uF,20%,25V,GP,TP,6.3x11,5	
C8015	2305-000665	C-FILM,MPEF:100nF,5%,63V,TP,7.5x4.0x5.0m		CZ313	2306-000122	C-FILM,MPPF:100nF,5%,50V,TP,7.3x4.0x5.0m	
C901	2401-001397	C-AL:470uF,20%,25V,GP,TP,10x16,5		CZ314	2401-000302	C-AL:100uF,20%,25V,GP,TP,6.3x11,5	
C902	2401-000480	C-AL:10uF,20%,50V,GP,TP,5x11,5		CZ315	2305-000149	C-FILM,MPEF:100nF,5%,100V,TP,12x12.5x6.5	
C903	2201-000374	C-CERAMIC,DISC:220pF,5%,50V,CH,TP,12.5x3		CZ316	2401-000404	C-AL:10uF,20%,16V,BP,TP,5x11,5	
C904	2401-002594	C-AL:220uF,20%,16V,GP,TP,8x11.5,5		D202	0401-000005	DIODE-SWITCHING:1N4148,75V,300mA,DO-35,T	
C909	2201-000292	C-CERAMIC,DISC:1nF,10%,50V,Y5P,TP,5x3,5		D203	0401-000005	DIODE-SWITCHING:1N4148,75V,300mA,DO-35,T	
C910	2201-000281	C-CERAMIC,DISC:1nF,79.8,50V,Y5V,TP,4x3.5		D204	0401-000005	DIODE-SWITCHING:1N4148,75V,300mA,DO-35,T	
C911	2201-000247	C-CERAMIC,DISC:15pF,5%,50V,CH,TP,5x3,5		D205	0401-000005	DIODE-SWITCHING:1N4148,75V,300mA,DO-35,T	
C912	2201-000247	C-CERAMIC,DISC:15pF,5%,50V,CH,TP,5x3,5		D211	0401-000005	DIODE-SWITCHING:1N4148,75V,300mA,DO-35,T	
C913	2201-000423	C-CERAMIC,DISC:27pF,5%,50V,NPO,TP,5x3,2		D212	0401-000005	DIODE-SWITCHING:1N4148,75V,300mA,DO-35,T	
C914	2201-000423	C-CERAMIC,DISC:27pF,5%,50V,NPO,TP,5x3,2		D601	0401-000005	DIODE-SWITCHING:1N4148,75V,300mA,DO-35,T	
C917	2201-000611	C-CERAMIC,DISC:56pF,5%,50V,CH,TP,6.5x3,5		D905	0401-000005	DIODE-SWITCHING:1N4148,75V,300mA,DO-35,T	
C918	2401-002594	C-AL:220uF,20%,16V,GP,TP,8x11.5,5		D906	0401-000005	DIODE-SWITCHING:1N4148,75V,300mA,DO-35,T	
C919	2305-000665	C-FILM,MPEF:100nF,5%,63V,TP,7.5x4.0x5.0m		D907	0401-000005	DIODE-SWITCHING:1N4148,75V,300mA,DO-35,T	
C920	2401-001840	C-AL:100uF,20%,16V,GP,TP,6.3x11,5		D908	0401-000005	DIODE-SWITCHING:1N4148,75V,300mA,DO-35,T	
C921	2201-000982	C-CERAMIC,DISC:10nF,+80-20%,50V,Y5V,TP,6		D909	0401-000005	DIODE-SWITCHING:1N4148,75V,300mA,DO-35,T	
C922	2401-000480	C-AL:10uF,20%,50V,GP,TP,5x11,5		D910	0401-000005	DIODE-SWITCHING:1N4148,75V,300mA,DO-35,T	
C923	2201-000146	C-CERAMIC,DISC:100pF,5%,50V,SL,TP,5x3,5		D911	0401-000005	DIODE-SWITCHING:1N4148,75V,300mA,DO-35,T	
C924	2401-000480	C-AL:10uF,20%,50V,GP,TP,5x11,5		D912	0401-000005	DIODE-SWITCHING:1N4148,75V,300mA,DO-35,T	
C925	2401-000480	C-AL:10uF,20%,50V,GP,TP,5x11,5		D914	0401-000005	DIODE-SWITCHING:1N4148,75V,300mA,DO-35,T	
C926	2301-000289	C-FILM,PEF:5.6nF,5%,50V,TP,7x6x3,5		D915	0401-000005	DIODE-SWITCHING:1N4148,75V,300mA,DO-35,T	
CC01	2401-001840	C-AL:100uF,20%,16V,GP,TP,6.3x11,5		DL201	4711-000205	DELAY LINE:0.140uS,-,-,TR	
CC02	2401-002462	C-AL:33uF,20%,16V,GP,TP,5x11,5		DZ201	0403-000563	DIODE-ZENER:MTZ9.1B,9.1V,8.57-9.01V,500m	
CC03	2401-002462	C-AL:33uF,20%,16V,GP,TP,5x11,5		DZ203	0403-000355	DIODE-ZENER:U25.1BSB,5.1V,4.97-5.18V,500	
CC04	2305-000665	C-FILM,MPEF:100nF,5%,63V,TP,7.5x4.0x5.0m		DZ204	0403-000300	DIODE-ZENER:MTZ28.2B,8.2V,7.78-8.19V,500m	
CC05	2401-000027	C-AL:4.7uF,20%,50V,GP,TP,5x11,5		DZ206	0403-000563	DIODE-ZENER:MTZ9.1B,9.1V,8.57-9.01V,500m	
CC06	2401-001840	C-AL:100uF,20%,16V,GP,TP,6.3x11,5		DZ207	0403-000289	DIODE-ZENER:MTZ10C,10V,9.7-10.2V,500mW,D	
CC07	2306-000122	C-FILM,MPPF:100nF,5%,50V,TP,7.3x4.0x5.0m		DZ208	0403-000654	DIODE-ZENER:MTZ12B,12V,11.44-12.03V,500m	
CC10	2401-000027	C-AL:4.7uF,20%,50V,GP,TP,5x11,5		DZ209	0403-000654	DIODE-ZENER:MTZ12B,12V,11.44-12.03V,500m	
CC11	2401-000027	C-AL:4.7uF,20%,50V,GP,TP,5x11,5		DZ210	0403-000654	DIODE-ZENER:MTZ12B,12V,11.44-12.03V,500m	
CC12	2401-000480	C-AL:10uF,20%,50V,GP,TP,5x11,5		DZ901	0403-000296	DIODE-ZENER:MTZ5.6B,5.6V,5.45-5.73V,500m	
CF01	AA29-10002A	FILTER-COMB:-,UGL-357KNT,NTSC,ST		DZ902	0403-000297	DIODE-ZENER:MTZ6.2B,6.2V,5.96-6.27V,500m	
CN201	3711-002646	CONNECTOR-HEADER:BOX,7P,1R,2.5mm,STRAIGH		DZC01	0403-000563	DIODE-ZENER:MTZ9.1B,9.1V,8.57-9.01V,500m	
CN202	3711-003641	CONNECTOR-HEADER:BOX,12P,1R,2.5mm,STRAIG		IC201	1204-000636	IC-PICTURE PROCESS:TDA4566,DIP,18P,300MI	
CN601	3711-002645	CONNECTOR-HEADER:BOX,6P,1R,2.5MM,STRAIGH		IC202	1204-000530	IC-PAL/NTSC DECODER:TDA9160A,DIP,32P,400	
CN601	AA39-20038D	LEAD-CONNECTOR,ASSY:-,67096-006,S,6P,300		IC203	1204-000464	IC-VIDEO PROCESS:TDA4780,DIP,28P,-,PLAST	
CN701	3710-001155	CONNECTOR-SOCKET:20P,2R,2.54MM,STRAIGHT,		IC204	1209-000214	IC-DELAY LINE:TDA4665,DIP,16P,300MIL,PLA	
CN702	3710-001155	CONNECTOR-SOCKET:20P,2R,2.54MM,STRAIGHT,		IC205	1204-000444	IC-PICTURE PROCESS:TDA9170,DIP,32P,-,PLA	
CN801	3711-000628	CONNECTOR-HEADER:-,11P,1R,2.5mm,STRAIGHT		IC206	1201-000501	IC-VIDEO AMP:14577,DIP,8P,300MIL,CMOS,-5	
CN801	AA39-20160E	LEAD-CONNECTOR,ASSY:-,67096-011,S,11P,14		IC207	1204-000471	IC-PICTURE PROCESS:AN5342K,DIP,30P,400MI	
CN901	3711-002641	CONNECTOR-HEADER:BOX,10P,1R,2.54mm,STRAI		IC208	1001-000223	IC-VIDEO SWITCH:TEA5114A,-,DIP,16P,334MI	
CN903	3711-002644	CONNECTOR-HEADER:BOX,5P,1R,2.5mm,STRAIGH		IC8001	1203-000006	IC-POSI.FIXED REG.:7808,TO-220,3P,-,PLAS	H/SINK
CN904	3711-002648	CONNECTOR-HEADER:BOX,9P,1R,2.5mm,STRAIGH		IC8002	1203-000274	IC-POSI.FIXED REG.:7805,TO-220,3P,-,PLAS	H/SINK
CN905	3711-002642	CONNECTOR-HEADER:BOX,3P,1R,2.5MM,STRAIGH		IC8003	1203-000165	IC-POSI.ADJUST REG.:78R12,TO-220,3P	H/SINK
CN906	3711-002642	CONNECTOR-HEADER:BOX,3P,1R,2.5MM,STRAIGH		IC8004	1203-000298	IC-POSI.FIXED REG.:7809,TO-220,3P,-,PLAS	H/SINK
CNH02	AA39-20113A	LEAD-CONNECTOR,ASSY:-,YFH806-06,-,6(2)P,		IC901	AA13-30002H	IC-MCU:-,CXP853P40S-1,8bit,SDIP,-,64P	
CNQ01	3711-002644	CONNECTOR-HEADER:BOX,5P,1R,2.5mm,STRAIGH		IC902	1103-000118	IC-EEPROM:2408,1Kx8BIT,DIP,8P,300MIL,10m	
CNV01	3711-002642	CONNECTOR-HEADER:BOX,3P,1R,2.5MM,STRAIGH		IC903	1202-000001	IC-VOLTAGE COMP.:7533,TO-92,3P,-,SINGLE,	
CNV01	AA39-20016D	LEAD-CONNECTOR,ASSY:-,67096-003,S,3P,500		ICC01	0801-000961	IC-CMOS LOGIC:4053B,MULTIPLEXER,DIP,16P,3	
CNX01	AA39-20010E	LEAD-CONNECTOR,ASSY:-,YFH800-01,S,1P,800		ICZ30	1001-000223	IC-VIDEO SWITCH:TEA5114A,-,DIP,16P,334MI	
CNZ01	3711-002648	CONNECTOR-HEADER:BOX,9P,1R,2.5mm,STRAIGH		ICZ31	1001-000223	IC-VIDEO SWITCH:TEA5114A,-,DIP,16P,334MI	
CNZ01	AA39-20082C	LEAD-CONNECTOR,ASSY:-,67096-009,S,9P,400		IF-C	AA39-30007B	IF-CABLE:-,T,150mm,1365#26	
CP101	2401-000962	C-AL:22uF,20%,50V,GP,TP,5x11,5		L1001	2701-000142	INDUCTOR-AXIAL:1uH,10%,2.5x3.4mm	
CP1010	2401-001840	C-AL:100uF,20%,16V,GP,TP,6.3x11,5		L1002	2701-000142	INDUCTOR-AXIAL:1uH,10%,2.5x3.4mm	
CP102	2305-000665	C-FILM,MPEF:100nF,5%,63V,TP,7.5x4.0x5.0m		L1003	2701-000142	INDUCTOR-AXIAL:1uH,10%,2.5x3.4mm	
CP103	2401-001840	C-AL:100uF,20%,16V,GP,TP,6.3x11,5		L1004	2701-000114	INDUCTOR-AXIAL:10uH,10%,2.5x3.4mm	
CP104	2305-000665	C-FILM,MPEF:100nF,5%,63V,TP,7.5x4.0x5.0m		L1005	3301-000287	CORE-FERRITE BEAD:AA,3.5x1x6mm,1500,2400	
CP105	2401-002235	C-AL:10uF,20%,16V,GP,TP,5x11mm,5mm		L101	2701-000115	INDUCTOR-AXIAL:10uH,10%,2.8x7mm	
CP106	2401-001840	C-AL:100uF,20%,16V,GP,TP,6.3x11,5		L201	3301-000287	CORE-FERRITE BEAD:AA,3.5x1x6mm,1500,2400	
CP107	2305-000665	C-FILM,MPEF:100nF,5%,63V,TP,7.5x4.0x5.0m		L202	2701-000115	INDUCTOR-AXIAL:10uH,10%,2.8x7mm	
CP108	2401-001840	C-AL:100uF,20%,16V,GP,TP,6.3x11,5		L203	2701-000115	INDUCTOR-AXIAL:10uH,10%,2.8x7mm	
CP109	2305-000665	C-FILM,MPEF:100nF,5%,63V,TP,7.5x4.0x5.0m		L204	2701-000162	INDUCTOR-AXIAL:27uH,10%,2.5x3.4mm	
CW901	2503-000158	C-NETWORK:330PFX4,20%,50V,MCCB1H331MX4YT		L205	2701-000223	INDUCTOR-AXIAL:82uH,10%,2.5X3.4MM	
CW902	2503-000159	C-NETWORK:330PFX5,20%,50V,MCCB1H331MX5YT		L206	2701-000114	INDUCTOR-AXIAL:10uH,10%,2.5x3.4mm	
CW903	2503-000161	C-NETWORK:330PFX8,20%,50V,MCCB1H331MX8YT		L207	2701-000162	INDUCTOR-AXIAL:27uH,10%,2.5x3.4mm	
CW904	2503-000158	C-NETWORK:330PFX4,20%,50V,MCCB1H331MX4YT		L209	2701-000207	INDUCTOR-AXIAL:56uH,5%,2.5x3.4mm	
CZ301	2305-000411	C-FILM,MPEF:470nF,5%,50V,TP,7.3x4.8x5.5m		L602	2701-000142	INDUCTOR-AXIAL:1uH,10%,2.5x3.4mm	
CZ302	2305-000411	C-FILM,MPEF:470nF,5%,50V,TP,7.3x4.8x5.5m		L603	2701-000142	INDUCTOR-AXIAL:1uH,10%,2.5x3.4mm	
CZ303	2305-000411	C-FILM,MPEF:470nF,5%,50V,TP,7.3x4.8x5.5m		L604	2701-000115	INDUCTOR-AXIAL:10uH,10%,2.8x7mm	
CZ304	2305-000289	C-FILM,MPEF:220nF,5%,63V,TP,-,5mm		L902	2701-000114	INDUCTOR-AXIAL:10uH,10%,2.5x3.4mm	
CZ305	2305-000289	C-FILM,MPEF:220nF,5%,63V,TP,-,5mm		L903	AA27-10003G	COIL-CHOKE:-,30uH,K,50,22.3mA,TEL0606R	

Loc. No.	Code No.	Description ; Specification	Remark	Loc. No.	Code No.	Description ; Specification	Remark
L904	2701-000115	INDUCTOR-AXIAL:10uH,10%,2.8x7mm		R2118	2001-000515	R-CARBON:220ohm,5%,1/8W,AA,TP,1.8x3.2mm	
L906	2701-000114	INDUCTOR-AXIAL:10uH,10%,2.5x3.4mm		R2119	2001-000515	R-CARBON:220ohm,5%,1/8W,AA,TP,1.8x3.2mm	
LP101	2701-000142	INDUCTOR-AXIAL:1uH,10%,2.5x3.4mm		R212	2001-000977	R-CARBON:8.2Kohm,5%,1/8W,AA,TP,1.8x3.2m	
LP102	2701-000115	INDUCTOR-AXIAL:10uH,10%,2.8x7mm		R2120	2001-000515	R-CARBON:220ohm,5%,1/8W,AA,TP,1.8x3.2mm	
LP103	2701-000142	INDUCTOR-AXIAL:1uH,10%,2.5x3.4mm		R2121	2001-000405	R-CARBON:180ohm,5%,1/8W,AA,TP,1.8x3.2mm	
LP104	2701-000142	INDUCTOR-AXIAL:1uH,10%,2.5x3.4mm		R2122	2001-000995	R-CARBON:820ohm,5%,1/8W,AA,TP,1.8x3.2mm	
LP105	2701-000142	INDUCTOR-AXIAL:1uH,10%,2.5x3.4mm		R2123	2001-000995	R-CARBON:820ohm,5%,1/8W,AA,TP,1.8x3.2mm	
LP106	2701-000142	INDUCTOR-AXIAL:1uH,10%,2.5x3.4mm		R2124	2001-000995	R-CARBON:820ohm,5%,1/8W,AA,TP,1.8x3.2mm	
LP108	2701-000115	INDUCTOR-AXIAL:10uH,10%,2.8x7mm		R2126	2001-000490	R-CARBON:200ohm,5%,1/8W,AA,TP,1.8x3.2mm	
LZ301	2701-000114	INDUCTOR-AXIAL:10uH,10%,2.5x3.4mm		R2127	2001-000405	R-CARBON:180ohm,5%,1/8W,AA,TP,1.8x3.2mm	
LZ302	2701-000114	INDUCTOR-AXIAL:10uH,10%,2.5x3.4mm		R2128	2001-000490	R-CARBON:200ohm,5%,1/8W,AA,TP,1.8x3.2mm	
LZ303	2701-000111	INDUCTOR-AXIAL:100uH,10%,2.5x3.4mm		R2129	2001-000405	R-CARBON:180ohm,5%,1/8W,AA,TP,1.8x3.2mm	
LZ304	2701-000111	INDUCTOR-AXIAL:100uH,10%,2.5x3.4mm		R213	2001-000008	R-CARBON:15Kohm,5%,1/8W,AA,TP,1.8x3.2mm	
LZ305	2701-000111	INDUCTOR-AXIAL:100uH,10%,2.5x3.4mm		R2130	2001-000490	R-CARBON:200ohm,5%,1/8W,AA,TP,1.8x3.2mm	
M101	AA59-4003F	MODULE-LNA:-LNA1410AF(S),PAL,EU,TR TYPE		R2131	2001-000405	R-CARBON:180ohm,5%,1/8W,AA,TP,1.8x3.2mm	
MODULE	AA59-4003P	MODULE-FOCUS,PACK:-,F300,NTSC,43,64x62,		R2133	2001-000290	R-CARBON:10KOHM,5%,1/8W,AA,TP,-	
Q1001	0501-000389	TR-SMALL SIGNAL:KSC815,NPN,400mW,TO-92,T		R2134	2001-000786	R-CARBON:47Kohm,5%,1/8W,AA,TP,1.8x3.2mm	
Q201	0501-000283	TR-SMALL SIGNAL:KSA539,PNP,400mW,TO-92,T		R2135	2001-000786	R-CARBON:47Kohm,5%,1/8W,AA,TP,1.8x3.2mm	
Q202	0501-000283	TR-SMALL SIGNAL:KSA539,PNP,400mW,TO-92,T		R214	2001-000429	R-CARBON:1KOHM,5%,1/8W,AA,TP,-	
Q203	0501-000283	TR-SMALL SIGNAL:KSA539,PNP,400mW,TO-92,T		R215	2001-000429	R-CARBON:1KOHM,5%,1/8W,AA,TP,-	
Q204	0501-000389	TR-SMALL SIGNAL:KSC815,NPN,400mW,TO-92,T		R217	2001-000786	R-CARBON:47Kohm,5%,1/8W,AA,TP,1.8x3.2mm	
Q205	0501-000389	TR-SMALL SIGNAL:KSC815,NPN,400mW,TO-92,T		R218	2001-000780	R-CARBON:470ohm,5%,1/8W,AA,TP,1.8x3.2mm	
Q206	0501-000389	TR-SMALL SIGNAL:KSC815,NPN,400mW,TO-92,T		R219	2001-001000	R-CARBON:82Kohm,5%,1/8W,AA,TP,1.8x3.2mm	
Q207	0501-000389	TR-SMALL SIGNAL:KSC815,NPN,400mW,TO-92,T		R220	2001-000281	R-CARBON:100ohm,5%,1/8W,AA,TP,1.8x3.2mm	
Q208	0501-000389	TR-SMALL SIGNAL:KSC815,NPN,400mW,TO-92,T		R2201	2001-000515	R-CARBON:220ohm,5%,1/8W,AA,TP,1.8x3.2mm	
Q209	0501-000389	TR-SMALL SIGNAL:KSC815,NPN,400mW,TO-92,T		R2202	2001-000780	R-CARBON:470ohm,5%,1/8W,AA,TP,1.8x3.2mm	
Q210	0501-000389	TR-SMALL SIGNAL:KSC815,NPN,400mW,TO-92,T		R221	2001-000281	R-CARBON:100ohm,5%,1/8W,AA,TP,1.8x3.2mm	
Q211	0501-000389	TR-SMALL SIGNAL:KSC815,NPN,400mW,TO-92,T		R222	2001-000281	R-CARBON:100ohm,5%,1/8W,AA,TP,1.8x3.2mm	
Q212	0501-000389	TR-SMALL SIGNAL:KSC815,NPN,400mW,TO-92,T		R223	2001-000429	R-CARBON:1KOHM,5%,1/8W,AA,TP,-	
Q213	0501-000389	TR-SMALL SIGNAL:KSC815,NPN,400mW,TO-92,T		R224	2001-000281	R-CARBON:100ohm,5%,1/8W,AA,TP,1.8x3.2mm	
Q601	0501-000283	TR-SMALL SIGNAL:KSA539,PNP,400mW,TO-92,T		R225	2001-000281	R-CARBON:100ohm,5%,1/8W,AA,TP,1.8x3.2mm	
Q602	0501-000389	TR-SMALL SIGNAL:KSC815,NPN,400mW,TO-92,T		R226	2001-000281	R-CARBON:100ohm,5%,1/8W,AA,TP,1.8x3.2mm	
Q901	0501-000369	TR-SMALL SIGNAL:KSC2331-Y,NPN,1W,TO-92L,		R227	2008-000300	R-FUSIBLE:560ohm,5%,1/2W,AA,TP,4.7x11mm	
Q903	0501-000389	TR-SMALL SIGNAL:KSC815,NPN,400mW,TO-92,T		R228	2001-000281	R-CARBON:100ohm,5%,1/8W,AA,TP,1.8x3.2mm	
Q904	0501-000389	TR-SMALL SIGNAL:KSC815,NPN,400mW,TO-92,T		R229	2001-000281	R-CARBON:100ohm,5%,1/8W,AA,TP,1.8x3.2mm	
Q905	0501-000389	TR-SMALL SIGNAL:KSC815,NPN,400mW,TO-92,T		R230	2001-000281	R-CARBON:100ohm,5%,1/8W,AA,TP,1.8x3.2mm	
Q906	0501-000389	TR-SMALL SIGNAL:KSC815,NPN,400mW,TO-92,T		R231	2001-000281	R-CARBON:100ohm,5%,1/8W,AA,TP,1.8x3.2mm	
Q907	0501-000389	TR-SMALL SIGNAL:KSC815,NPN,400mW,TO-92,T		R232	2001-000281	R-CARBON:100ohm,5%,1/8W,AA,TP,1.8x3.2mm	
Q908	0501-000389	TR-SMALL SIGNAL:KSC815,NPN,400mW,TO-92,T		R233	2001-000645	R-CARBON:330Kohm,5%,1/8W,AA,TP,1.8x3.2m	
Q909	0501-000283	TR-SMALL SIGNAL:KSA539,PNP,400mW,TO-92,T		R234	2001-000281	R-CARBON:100ohm,5%,1/8W,AA,TP,1.8x3.2mm	
Q910	0501-000283	TR-SMALL SIGNAL:KSA539,PNP,400mW,TO-92,T		R235*	2001-001000	R-CARBON:82Kohm,5%,1/8W,AA,TP,1.8x3.2mm	
QC01	0501-000389	TR-SMALL SIGNAL:KSC815,NPN,400mW,TO-92,T		R236	2001-000857	R-CARBON:560ohm,5%,1/8W,AA,TP,1.8x3.2mm	
QC02	0501-000389	TR-SMALL SIGNAL:KSC815,NPN,400mW,TO-92,T		R237	2001-000290	R-CARBON:10KOHM,5%,1/8W,AA,TP,-	
QC03	0501-000389	TR-SMALL SIGNAL:KSC815,NPN,400mW,TO-92,T		R238	2001-000290	R-CARBON:10KOHM,5%,1/8W,AA,TP,-	
QC04	0501-000283	TR-SMALL SIGNAL:KSA539,PNP,400mW,TO-92,T		R239	2001-000780	R-CARBON:470ohm,5%,1/8W,AA,TP,1.8x3.2mm	
QC05	0501-000389	TR-SMALL SIGNAL:KSC815,NPN,400mW,TO-92,T		R240	2001-000890	R-CARBON:6.8Kohm,5%,1/8W,AA,TP,1.8x3.2m	
QC06	0501-000283	TR-SMALL SIGNAL:KSA539,PNP,400mW,TO-92,T		R241	2001-000812	R-CARBON:5.6Kohm,5%,1/8W,AA,TP,1.8x3.2m	
QZ301	0501-000389	TR-SMALL SIGNAL:KSC815,NPN,400mW,TO-92,T		R242	2001-000281	R-CARBON:100ohm,5%,1/8W,AA,TP,1.8x3.2mm	
R1002	2001-000734	R-CARBON:4.7Kohm,5%,1/8W,AA,TP,1.8x3.2m		R243	2001-000281	R-CARBON:100ohm,5%,1/8W,AA,TP,1.8x3.2mm	
R1003	2001-000734	R-CARBON:4.7Kohm,5%,1/8W,AA,TP,1.8x3.2m		R244	2001-000515	R-CARBON:220ohm,5%,1/8W,AA,TP,1.8x3.2mm	
R1004	2001-000812	R-CARBON:5.6Kohm,5%,1/8W,AA,TP,1.8x3.2m		R245	2001-000515	R-CARBON:220ohm,5%,1/8W,AA,TP,1.8x3.2mm	
R1005	2001-000290	R-CARBON:10KOHM,5%,1/8W,AA,TP,-		R248	2001-000522	R-CARBON:22Kohm,5%,1/8W,AA,TP,1.8x3.2mm	
R1006	2001-000429	R-CARBON:1KOHM,5%,1/8W,AA,TP,-		R249	2001-000780	R-CARBON:470ohm,5%,1/8W,AA,TP,1.8x3.2mm	
R1007	2001-000857	R-CARBON:560ohm,5%,1/8W,AA,TP,1.8x3.2mm		R250	2001-000734	R-CARBON:4.7Kohm,5%,1/8W,AA,TP,1.8x3.2m	
R201	2001-000008	R-CARBON:15Kohm,5%,1/8W,AA,TP,1.8x3.2mm		R251	2001-000832	R-CARBON:510ohm,5%,1/8W,AA,TP,1.8x3.2mm	
R202	2001-001015	R-CARBON:9.1Kohm,5%,1/8W,AA,TP,1.8x3.2m		R252	2001-000472	R-CARBON:2.7Kohm,5%,1/8W,AA,TP,1.8x3.2m	
R203	2001-000281	R-CARBON:100ohm,5%,1/8W,AA,TP,1.8x3.2mm		R253	2001-000857	R-CARBON:560ohm,5%,1/8W,AA,TP,1.8x3.2mm	
R204	2001-000281	R-CARBON:100ohm,5%,1/8W,AA,TP,1.8x3.2mm		R254	2001-000429	R-CARBON:1KOHM,5%,1/8W,AA,TP,-	
R205	2001-000290	R-CARBON:10KOHM,5%,1/8W,AA,TP,-		R255	2001-000633	R-CARBON:30Kohm,5%,1/8W,AA,TP,1.8x3.2mm	
R206	2001-000273	R-CARBON:100KOHM,5%,1/8W,AA,TP,-		R256	2001-000522	R-CARBON:22Kohm,5%,1/8W,AA,TP,1.8x3.2mm	
R208	2001-000864	R-CARBON:56Kohm,5%,1/8W,AA,TP,1.8x3.2mm		R257	2001-000008	R-CARBON:15Kohm,5%,1/8W,AA,TP,1.8x3.2mm	
R210	2001-000563	R-CARBON:27Kohm,5%,1/8W,AA,TP,1.8x3.2mm		R258	2001-000977	R-CARBON:8.2Kohm,5%,1/8W,AA,TP,1.8x3.2m	
R2100	2001-000633	R-CARBON:30Kohm,5%,1/8W,AA,TP,1.8x3.2mm		R259	2001-000800	R-CARBON:5.1Kohm,5%,1/8W,AA,TP,1.8x3.2m	
R2101	2001-000832	R-CARBON:510ohm,5%,1/8W,AA,TP,1.8x3.2mm		R260	2001-000723	R-CARBON:4.3Kohm,5%,1/8W,AA,TP,1.8x3.2m	
R2103	2001-000812	R-CARBON:5.6Kohm,5%,1/8W,AA,TP,1.8x3.2m		R261	2001-000429	R-CARBON:1KOHM,5%,1/8W,AA,TP,-	
R2106	2001-000008	R-CARBON:15Kohm,5%,1/8W,AA,TP,1.8x3.2mm		R262	2001-000522	R-CARBON:22Kohm,5%,1/8W,AA,TP,1.8x3.2mm	
R2107	2001-000837	R-CARBON:51Kohm,5%,1/8W,AA,TP,1.8x3.2mm		R263	2001-000258	R-CARBON:1.8KOHM,5%,1/8W,AA,TP,-	
R2108	2001-000568	R-CARBON:27ohm,5%,1/8W,AA,TP,1.8x3.2mm		R264	2001-000252	R-CARBON:1.6KOHM,5%,1/8W,AA,TP,-	
R2109	2001-000832	R-CARBON:510ohm,5%,1/8W,AA,TP,1.8x3.2mm		R265	2001-000302	R-CARBON:10ohm,5%,1/8W,AA,TP,1.8x3.2mm	
R211	2004-001914	R-METAL:39Kohm,2%,1/8W,AA,TP,1.8x3.5mm		R266	2001-000633	R-CARBON:30Kohm,5%,1/8W,AA,TP,1.8x3.2mm	
R2110	2001-000568	R-CARBON:27ohm,5%,1/8W,AA,TP,1.8x3.2mm		R267	2001-000008	R-CARBON:15Kohm,5%,1/8W,AA,TP,1.8x3.2mm	
R2111	2001-000832	R-CARBON:510ohm,5%,1/8W,AA,TP,1.8x3.2mm		R268	2001-000857	R-CARBON:560ohm,5%,1/8W,AA,TP,1.8x3.2mm	
R2112	2001-000290	R-CARBON:10KOHM,5%,1/8W,AA,TP,-		R269	2001-000660	R-CARBON:33Kohm,5%,1/8W,AA,TP,1.8x3.2mm	
R2113	2001-000786	R-CARBON:47Kohm,5%,1/8W,AA,TP,1.8x3.2mm		R270	2001-000702	R-CARBON:39Kohm,5%,1/8W,AA,TP,1.8x3.2mm	
R2114	2001-000290	R-CARBON:10KOHM,5%,1/8W,AA,TP,-		R271	2001-000429	R-CARBON:1KOHM,5%,1/8W,AA,TP,-	
R2115	2001-000290	R-CARBON:10KOHM,5%,1/8W,AA,TP,-		R272	2001-000605	R-CARBON:3.6Kohm,5%,1/8W,AA,TP,1.8x3.2m	
R2116	2001-000281	R-CARBON:100ohm,5%,1/8W,AA,TP,1.8x3.2mm		R273	2001-000613	R-CARBON:3.9Kohm,5%,1/8W,AA,TP,1.8x3.2m	

Electric Parts List

Loc. No.	Code No.	Description ; Specification	Remark	Loc. No.	Code No.	Description ; Specification	Remark
R274	2001-000734	R-CARBON:4.7Kohm,5%,1/8W,AA,TP,1.8x3.2mm		R950	2001-000281	R-CARBON:100ohm,5%,1/8W,AA,TP,1.8x3.2mm	
R275	2001-000786	R-CARBON:47Kohm,5%,1/8W,AA,TP,1.8x3.2mm		R951	2001-000281	R-CARBON:100ohm,5%,1/8W,AA,TP,1.8x3.2mm	
R276	2001-001000	R-CARBON:82Kohm,5%,1/8W,AA,TP,1.8x3.2mm		R952	2001-000281	R-CARBON:100ohm,5%,1/8W,AA,TP,1.8x3.2mm	
R277	2004-001089	R-METAL:560Kohm,5%,1/8W,AA,TP,1.8x3.2mm		R953	2001-000281	R-CARBON:100ohm,5%,1/8W,AA,TP,1.8x3.2mm	
R278	2001-000890	R-CARBON:6.8Kohm,5%,1/8W,AA,TP,1.8x3.2mm		R954	2001-000331	R-CARBON:12KOHM,5%,1/8W,AA,TP,-	
R279	2001-000429	R-CARBON:1KOHM,5%,1/8W,AA,TP,-		R955	2001-000786	R-CARBON:47Kohm,5%,1/8W,AA,TP,1.8x3.2mm	
R281	2001-000429	R-CARBON:1KOHM,5%,1/8W,AA,TP,-		R956	2001-000812	R-CARBON:5.6Kohm,5%,1/8W,AA,TP,1.8x3.2m	
R282	2001-000347	R-CARBON:13Kohm,5%,1/8W,AA,TP,1.8x3.2mm		R958	2001-000290	R-CARBON:10KOHM,5%,1/8W,AA,TP,-	
R284	2001-000429	R-CARBON:1KOHM,5%,1/8W,AA,TP,-		R959	2001-000786	R-CARBON:47Kohm,5%,1/8W,AA,TP,1.8x3.2mm	
R285	2001-000924	R-CARBON:680ohm,5%,1/8W,AA,TP,1.8x3.2mm		R960	2001-000660	R-CARBON:33Kohm,5%,1/8W,AA,TP,1.8x3.2mm	
R286	2001-000591	R-CARBON:3.3Kohm,5%,1/8W,AA,TP,1.8x3.2m		R961	2001-000554	R-CARBON:270ohm,5%,1/8W,AA,TP,1.8x3.2mm	
R287	2001-000857	R-CARBON:560ohm,5%,1/8W,AA,TP,1.8x3.2mm		R962	2001-000837	R-CARBON:51Kohm,5%,1/8W,AA,TP,1.8x3.2mm	
R288	2001-000281	R-CARBON:100ohm,5%,1/8W,AA,TP,1.8x3.2mm		R963	2001-000837	R-CARBON:51Kohm,5%,1/8W,AA,TP,1.8x3.2mm	
R289	2001-000554	R-CARBON:270ohm,5%,1/8W,AA,TP,1.8x3.2mm		R964	2001-000290	R-CARBON:10KOHM,5%,1/8W,AA,TP,-	
R290	2001-000290	R-CARBON:10KOHM,5%,1/8W,AA,TP,-		R965	2001-000290	R-CARBON:10KOHM,5%,1/8W,AA,TP,-	
R291	2001-000302	R-CARBON:10ohm,5%,1/8W,AA,TP,1.8x3.2mm		R966	2001-000591	R-CARBON:3.3Kohm,5%,1/8W,AA,TP,1.8x3.2m	
R292	2001-000362	R-CARBON:150ohm,5%,1/8W,AA,TP,1.8x3.2mm		R967	2001-000009	R-CARBON:20KOHM,5%,1/8W,AA,TP,-	
R293	2001-000429	R-CARBON:1KOHM,5%,1/8W,AA,TP,-		R968	2001-000325	R-CARBON:120ohm,5%,1/8W,AA,TP,1.8x3.2mm	
R294	2008-000272	R-FUSIBLE:33ohm,5%,1/2W,AA,TP,2.5x6.5mm		R969	2001-000995	R-CARBON:820ohm,5%,1/8W,AA,TP,1.8x3.2mm	
R295	2001-000281	R-CARBON:100ohm,5%,1/8W,AA,TP,1.8x3.2mm		R970	2001-000995	R-CARBON:820ohm,5%,1/8W,AA,TP,1.8x3.2mm	
R297	2001-001015	R-CARBON:9.1Kohm,5%,1/8W,AA,TP,1.8x3.2m		R971	2001-000995	R-CARBON:820ohm,5%,1/8W,AA,TP,1.8x3.2mm	
R298	2001-000812	R-CARBON:5.6Kohm,5%,1/8W,AA,TP,1.8x3.2m		R972	2001-000290	R-CARBON:10KOHM,5%,1/8W,AA,TP,-	
R299	2001-000007	R-CARBON:3Kohm,5%,1/8W,AA,TP,1.8x3.2mm		R973	2001-000290	R-CARBON:10KOHM,5%,1/8W,AA,TP,-	
R601	2001-000281	R-CARBON:100ohm,5%,1/8W,AA,TP,1.8x3.2mm		R974	2001-000290	R-CARBON:10KOHM,5%,1/8W,AA,TP,-	
R602	2001-000429	R-CARBON:1KOHM,5%,1/8W,AA,TP,-		R975	2001-000290	R-CARBON:10KOHM,5%,1/8W,AA,TP,-	
R616	2001-000281	R-CARBON:100ohm,5%,1/8W,AA,TP,1.8x3.2mm		R976	2001-000290	R-CARBON:10KOHM,5%,1/8W,AA,TP,-	
R8001	2001-000066	R-CARBON(S):10Kohm,5%,1/2W,AA,TP,2.4x6.4		R977	2001-000290	R-CARBON:10KOHM,5%,1/8W,AA,TP,-	
R8003	2003-000590	R-METAL OXIDE(S):22ohm,5%,2W,AA,TP,4x12m		R978	2001-000290	R-CARBON:10KOHM,5%,1/8W,AA,TP,-	
R8004	2003-000744	R-METAL OXIDE(S):56ohm,5%,2W,AA,TP,4x12m		R979	2001-000429	R-CARBON:1KOHM,5%,1/8W,AA,TP,-	
R901	2001-000117	R-CARBON(S):68ohm,5%,1/2W,AA,TP,2.4x6.4m		R980	2001-000429	R-CARBON:1KOHM,5%,1/8W,AA,TP,-	
R902	2001-000221	R-CARBON:1.2KOHM,5%,1/8W,AA,TP,-		R981	2001-000429	R-CARBON:1KOHM,5%,1/8W,AA,TP,-	
R903	2001-000449	R-CARBON:2.2Kohm,5%,1/8W,AA,TP,1.8x3.2m		R982	2001-000429	R-CARBON:1KOHM,5%,1/8W,AA,TP,-	
R904	2001-000429	R-CARBON:1KOHM,5%,1/8W,AA,TP,-		R985	2001-000734	R-CARBON:4.7Kohm,5%,1/8W,AA,TP,1.8x3.2m	
R905	2001-000429	R-CARBON:1KOHM,5%,1/8W,AA,TP,-		R986	2001-000734	R-CARBON:4.7Kohm,5%,1/8W,AA,TP,1.8x3.2m	
R906	2001-001093	R-CARBON(S):2.2Kohm,5%,1/2W,AA,TP,2.4x6.		R987	2001-000429	R-CARBON:1KOHM,5%,1/8W,AA,TP,-	
R907	2001-001093	R-CARBON(S):2.2Kohm,5%,1/2W,AA,TP,2.4x6.		R988	2001-000515	R-CARBON:220ohm,5%,1/8W,AA,TP,1.8x3.2mm	
R908	2001-001093	R-CARBON(S):2.2Kohm,5%,1/2W,AA,TP,2.4x6.		R989	2001-000515	R-CARBON:220ohm,5%,1/8W,AA,TP,1.8x3.2mm	
R909	2001-001093	R-CARBON(S):2.2Kohm,5%,1/2W,AA,TP,2.4x6.		R990	2001-000515	R-CARBON:220ohm,5%,1/8W,AA,TP,1.8x3.2mm	
R910	2001-000786	R-CARBON:47Kohm,5%,1/8W,AA,TP,1.8x3.2mm		R991	2001-000258	R-CARBON:1.8KOHM,5%,1/8W,AA,TP,-	
R911	2001-000786	R-CARBON:47Kohm,5%,1/8W,AA,TP,1.8x3.2mm		R992	2001-001088	R-CARBON(S):1Kohm,5%,1/2W,AA,TP,2.4x6.4m	
R912	2001-000290	R-CARBON:10KOHM,5%,1/8W,AA,TP,-		R993	2001-000786	R-CARBON:47Kohm,5%,1/8W,AA,TP,1.8x3.2mm	
R913	2001-000429	R-CARBON:1KOHM,5%,1/8W,AA,TP,-		R994	2001-000290	R-CARBON:10KOHM,5%,1/8W,AA,TP,-	
R914	2001-000362	R-CARBON:150ohm,5%,1/8W,AA,TP,1.8x3.2mm		R995	2001-000290	R-CARBON:10KOHM,5%,1/8W,AA,TP,-	
R915	2001-000290	R-CARBON:10KOHM,5%,1/8W,AA,TP,-		R996	2001-001197	R-CARBON(S):910ohm,5%,1/2W,AA,TP,2.4x6.4	
R916	2001-000290	R-CARBON:10KOHM,5%,1/8W,AA,TP,-		R999	2001-000429	R-CARBON:1KOHM,5%,1/8W,AA,TP,-	
R917	2001-000290	R-CARBON:10KOHM,5%,1/8W,AA,TP,-		RC01	2008-000272	R-FUSIBLE:33ohm,5%,1/2W,AA,TP,2.5x6.5mm	
R918	2001-000290	R-CARBON:10KOHM,5%,1/8W,AA,TP,-		RC02	2001-000290	R-CARBON:10KOHM,5%,1/8W,AA,TP,-	
R919	2001-000786	R-CARBON:47Kohm,5%,1/8W,AA,TP,1.8x3.2mm		RC03	2001-000290	R-CARBON:10KOHM,5%,1/8W,AA,TP,-	
R920	2001-000429	R-CARBON:1KOHM,5%,1/8W,AA,TP,-		RC04	2001-000780	R-CARBON:470ohm,5%,1/8W,AA,TP,1.8x3.2mm	
R921	2001-000429	R-CARBON:1KOHM,5%,1/8W,AA,TP,-		RC05	2001-000812	R-CARBON:5.6Kohm,5%,1/8W,AA,TP,1.8x3.2m	
R922	2001-000429	R-CARBON:1KOHM,5%,1/8W,AA,TP,-		RC06	2001-000812	R-CARBON:5.6Kohm,5%,1/8W,AA,TP,1.8x3.2m	
R924	2001-000734	R-CARBON:4.7Kohm,5%,1/8W,AA,TP,1.8x3.2m		RC07	2001-000429	R-CARBON:1KOHM,5%,1/8W,AA,TP,-	
R925	2001-000429	R-CARBON:1KOHM,5%,1/8W,AA,TP,-		RC08	2001-000780	R-CARBON:470ohm,5%,1/8W,AA,TP,1.8x3.2mm	
R926	2001-000786	R-CARBON:47Kohm,5%,1/8W,AA,TP,1.8x3.2mm		RC09	2001-000118	R-CARBON(S):180ohm,5%,1/2W,AA,TP,2.4x6.4	
R927	2001-000429	R-CARBON:1KOHM,5%,1/8W,AA,TP,-		RC10	2001-000429	R-CARBON:1KOHM,5%,1/8W,AA,TP,-	
R928	2001-000429	R-CARBON:1KOHM,5%,1/8W,AA,TP,-		RC11	2001-000376	R-CARBON:15ohm,5%,1/8W,AA,TP,1.8x3.2mm	
R929	2001-000786	R-CARBON:47Kohm,5%,1/8W,AA,TP,1.8x3.2mm		RC12	2001-001077	R-CARBON(S):150ohm,5%,1/2W,AA,TP,2.4x6.4	
R930	2001-000786	R-CARBON:47Kohm,5%,1/8W,AA,TP,1.8x3.2mm		RC13	2001-000969	R-CARBON:75ohm,5%,1/8W,AA,TP,1.8x3.2mm	
R931	2001-000786	R-CARBON:47Kohm,5%,1/8W,AA,TP,1.8x3.2mm		RC14	2001-000969	R-CARBON:75ohm,5%,1/8W,AA,TP,1.8x3.2mm	
R932	2001-000786	R-CARBON:47Kohm,5%,1/8W,AA,TP,1.8x3.2mm		RC15	2001-000969	R-CARBON:75ohm,5%,1/8W,AA,TP,1.8x3.2mm	
R933	2001-000429	R-CARBON:1KOHM,5%,1/8W,AA,TP,-		RC16	2001-000969	R-CARBON:75ohm,5%,1/8W,AA,TP,1.8x3.2mm	
R934	2001-000241	R-CARBON:1.5Kohm,5%,1/8W,AA,TP,1.8x3.2m		RC17	2001-000837	R-CARBON:51Kohm,5%,1/8W,AA,TP,1.8x3.2mm	
R935	2001-000290	R-CARBON:10KOHM,5%,1/8W,AA,TP,-		RC18	2001-000837	R-CARBON:51Kohm,5%,1/8W,AA,TP,1.8x3.2mm	
R936	2001-000947	R-CARBON:7.5Kohm,5%,1/8W,AA,TP,1.8x3.2m		RC19	2001-000837	R-CARBON:51Kohm,5%,1/8W,AA,TP,1.8x3.2mm	
R937	2001-000429	R-CARBON:1KOHM,5%,1/8W,AA,TP,-		RC20	2001-000837	R-CARBON:51Kohm,5%,1/8W,AA,TP,1.8x3.2mm	
R938	2001-000734	R-CARBON:4.7Kohm,5%,1/8W,AA,TP,1.8x3.2m		RC25	2001-000429	R-CARBON:1KOHM,5%,1/8W,AA,TP,-	
R939	2001-000281	R-CARBON:100ohm,5%,1/8W,AA,TP,1.8x3.2mm		RC26	2001-000605	R-CARBON:3.6Kohm,5%,1/8W,AA,TP,1.8x3.2m	
R940	2001-000281	R-CARBON:100ohm,5%,1/8W,AA,TP,1.8x3.2mm		RC27	2001-000429	R-CARBON:1KOHM,5%,1/8W,AA,TP,-	
R941	2001-000281	R-CARBON:100ohm,5%,1/8W,AA,TP,1.8x3.2mm		RP102	2001-000429	R-CARBON:1KOHM,5%,1/8W,AA,TP,-	
R942	2001-000281	R-CARBON:100ohm,5%,1/8W,AA,TP,1.8x3.2mm		RP103	2001-000734	R-CARBON:4.7Kohm,5%,1/8W,AA,TP,1.8x3.2m	
R943	2001-000734	R-CARBON:4.7Kohm,5%,1/8W,AA,TP,1.8x3.2m		RP104	2001-000734	R-CARBON:4.7Kohm,5%,1/8W,AA,TP,1.8x3.2m	
R944	2001-000449	R-CARBON:2.2Kohm,5%,1/8W,AA,TP,1.8x3.2m		RT101	2001-000281	R-CARBON:100ohm,5%,1/8W,AA,TP,1.8x3.2mm	
R945	2001-000734	R-CARBON:4.7Kohm,5%,1/8W,AA,TP,1.8x3.2m		RT102	2001-000281	R-CARBON:100ohm,5%,1/8W,AA,TP,1.8x3.2mm	
R946	2001-000449	R-CARBON:2.2Kohm,5%,1/8W,AA,TP,1.8x3.2m		RZ301	2001-000290	R-CARBON:10KOHM,5%,1/8W,AA,TP,-	
R947	2001-000429	R-CARBON:1KOHM,5%,1/8W,AA,TP,-		RZ302	2001-000290	R-CARBON:10KOHM,5%,1/8W,AA,TP,-	
R948	2001-000290	R-CARBON:10KOHM,5%,1/8W,AA,TP,-		RZ303	2001-000290	R-CARBON:10KOHM,5%,1/8W,AA,TP,-	
R949	2001-000290	R-CARBON:10KOHM,5%,1/8W,AA,TP,-		RZ306	2001-000405	R-CARBON:180ohm,5%,1/8W,AA,TP,1.8x3.2mm	

Loc. No.	Code No.	Description ; Specification	Remark	Loc. No.	Code No.	Description ; Specification	Remark
RZ307	2001-000405	R-CARBON:180ohm,5%,1/8W,AA,TP,1.8x3.2mm		R512	2002-000119	R-COMPOSITION:1Kohm,10%,1/2W,AA,TP,3.5x9	
RZ308	2001-000405	R-CARBON:180ohm,5%,1/8W,AA,TP,1.8x3.2mm		R513	2001-001047	R-CARBON(S):1.2Mohm,5%,1/2W,AA,TP,2.4x6.	
RZ310	2001-000857	R-CARBON:560ohm,5%,1/8W,AA,TP,1.8x3.2mm		R514	2001-001113	R-CARBON(S):270Kohm,5%,1/2W,AA,TP,2.4x6.	
RZ311	2001-000857	R-CARBON:560ohm,5%,1/8W,AA,TP,1.8x3.2mm		R515	2001-001150	R-CARBON(S):470Kohm,5%,1/2W,AA,TP,2.4x6.	
RZ312	2001-000857	R-CARBON:560ohm,5%,1/8W,AA,TP,1.8x3.2mm		R516	2001-001129	R-CARBON(S):330Kohm,5%,1/2W,AA,TP,2.4x6.	
RZ313	2001-000812	R-CARBON:5.6Kohm,5%,1/8W,AA,TP,1.8x3.2m		R517	2001-001129	R-CARBON(S):330Kohm,5%,1/2W,AA,TP,2.4x6.	
RZ314	2001-000812	R-CARBON:5.6Kohm,5%,1/8W,AA,TP,1.8x3.2m		R518	2001-001129	R-CARBON(S):330Kohm,5%,1/2W,AA,TP,2.4x6.	
RZ315	2001-000812	R-CARBON:5.6Kohm,5%,1/8W,AA,TP,1.8x3.2m		R519	2001-000679	R-CARBON:36Kohm,5%,1/8W,AA,TP,1.8x3.2mm	
RZ316	2001-001187	R-CARBON(S):75ohm,5%,1/2W,AA,TP,2.4x6.4m		V501	3704-001019	SOCKET-CRT:10P,29.1PI,35.5PI,AU30U	
RZ317	2001-000405	R-CARBON:180ohm,5%,1/8W,AA,TP,1.8x3.2mm		VR501	2101-000321	VR-ROTARY:1Mohm,0.2,0.6W,-,-	
RZ318	2001-000857	R-CARBON:560ohm,5%,1/8W,AA,TP,1.8x3.2mm		ZD501	0403-000664	DIODE-ZENER:MTZ3.6A,3.6V,3.455-3.695V,50	
RZ319	2001-000429	R-CARBON:1KOHM,5%,1/8W,AA,TP,-		ASSY-PCB,CRT(GREEN)			
RZ320	2001-001187	R-CARBON(S):75ohm,5%,1/2W,AA,TP,2.4x6.4m		*	AA95-20002C	ASSY-PCB,CRT,-,SPT51A,52,GREEN,-	
RZ323	2001-000028	R-CARBON(S):100ohm,5%,1/2W,AA,TP,2.4x6.4		VR531	2101-000321	VR-ROTARY:1Mohm,0.2,0.6W,-,-	
RZ324	2001-001107	R-CARBON(S):220ohm,5%,1/2W,AA,TP,2.4x6.4		C545	2201-000969	C-CERAMIC,DISC:10nF,+80-20%,3KV,Y5V,TP-	
RZ330	2001-000429	R-CARBON:1KOHM,5%,1/8W,AA,TP,-		V561	3704-001019	SOCKET-CRT:10P,29.1PI,35.5PI,AU30U	
RZ331	2001-001187	R-CARBON(S):75ohm,5%,1/2W,AA,TP,2.4x6.4m		C539	AA27-90001B	COIL-SPARK,GAP:S-23,1.5KV,-,-,-	
TU101	AA40-10002NTUNER-F/S,-,TECC0889PA19C,PAL-MULTI,TR,1			C542	AA27-90001B	COIL-SPARK,GAP:S-23,1.5KV,-,-,-	
TUP01	AA40-10002NTUNER-F/S,-,TECC0889PA19C,PAL-MULTI,TR,1			CNV02	AA39-20016C	LEAD-CONNECTOR,ASSY,-,67096-003,S,3P,400	
X201	2801-000235	CRYSTAL-UNIT:3.579545MHZ,40ppm,28-AAM,S		CN502	AA39-20020D	LEAD-CONNECTOR,ASSY,-,67096-005,S,5P,600	
X202	2801-000274	CRYSTAL-UNIT:4.433619MHZ,30PPM,28-AAM,20		CN505	AA39-20020D	LEAD-CONNECTOR,ASSY,-,67096-005,S,5P,600	
X901	2801-001480	CRYSTAL-UNIT:4.194304MHZ,20ppm,28-ABQ,12		CN201	AA39-20029D	LEAD-CONNECTOR,ASSY,-,67096-007,S,7P,500	
ASSY-ACCESSORY				CN	AA39-20115A	LEAD-CONNECTOR,ASSY,-,BUSHING,-,1P,500,3	
RCA/CA	AA39-40001B	CABLE-RCA,-,RCA,1500mm,0.12/10,RED/WHT/Y		IC531	1201-000539	IC-VIDEO AMP:6101,ZIP9P,-,SINGLE,-,PLAS	H/SINK
H-LEG	AA61-20126A	HOLDER-LEG,-,-,ABS,HB,BLK,-		D564	0402-000132	DIODE-RECTIFIER:1N4004,400V,1A,DO-41,TP	
I/B	AA68-10759A	MANUAL-USERS:S/W120(G)-,-,ENG SPT51A,43		D502	0402-000132	DIODE-RECTIFIER:1N4004,400V,1A,DO-41,TP	
I/B	AA68-10760A	MANUAL-USERS:S/W120(G)-,-,ARAB SPT51A,4		D504	0402-000132	DIODE-RECTIFIER:1N4004,400V,1A,DO-41,TP	
ASSY-PCB,CRT(RED)				D503	0402-000132	DIODE-RECTIFIER:1N4004,400V,1A,DO-41,TP	
*	AA95-20002B	ASSY-PCB,CRT,-,SPT51A,52,RED,-		ZD531	0403-000664	DIODE-ZENER:MTZ3.6A,3.6V,3.455-3.695V,50	
C501	2201-000193	C-CERAMIC,DISC:10pF,0.3pF,50V,CH,TP,5x3,		Q531	0501-000389	TR-SMALL SIGNAL:KSC815,NPN,400mW,TO-92,T	
C502	2401-001363	C-AL:470uF,20%,16V,GP,TP,10x12.5,5		R539	2001-000028	R-CARBON(S):100ohm,5%,1/2W,AA,TP,2.4x6.4	
C503	2201-000119	C-CERAMIC,DISC:100nF,+80-20%,50V,Y5V,TP,		R538	2001-000085	R-CARBON(S):100Kohm,5%,1/2W,AA,TP,2.4x6.	
C504	2401-000922	C-AL:22uF,20%,16V,GP,TP,5x5,5		R533	2001-000221	R-CARBON:1.2KOHM,5%,1/8W,AA,TP,-	
C505	2201-000119	C-CERAMIC,DISC:100nF,+80-20%,50V,Y5V,TP,		R536	2001-000281	R-CARBON:100ohm,5%,1/8W,AA,TP,1.8x3.2mm	
C506	2401-000430	C-AL:10uF,20%,250V,GP,TP,10x16mm,5m		R550	2001-000347	R-CARBON:13Kohm,5%,1/8W,AA,TP,1.8x3.2mm	
C507	2201-000600	C-CERAMIC,DISC:560pF,10%,50V,Y5P,TP,5x3,		R580	2001-000347	R-CARBON:13Kohm,5%,1/8W,AA,TP,1.8x3.2mm	
C508	2401-000430	C-AL:10uF,20%,250V,GP,TP,10x16mm,5m		R531	2001-000429	R-CARBON:1KOHM,5%,1/8W,AA,TP,-	
C509	AA27-90001B	COIL-SPARK,GAP:S-23,1.5KV,-,-,-		R534	2001-000429	R-CARBON:1KOHM,5%,1/8W,AA,TP,-	
C510	AA27-90001B	COIL-SPARK,GAP:S-23,1.5KV,-,-,-		R520	2001-000508	R-CARBON:220Kohm,5%,1/8W,AA,TP,1.8x3.2m	
C515	2201-000969	C-CERAMIC,DISC:10nF,+80-20%,3KV,Y5V,TP-		R541	2001-000563	R-CARBON:27Kohm,5%,1/8W,AA,TP,1.8x3.2mm	
C516	2305-000154	C-FILM,MPEF:100nF,5%,400V,TP,21.5x6.5x11		R547	2001-000679	R-CARBON:36Kohm,5%,1/8W,AA,TP,1.8x3.2mm	
C517	2201-000611	C-CERAMIC,DISC:56pF,5%,50V,CH,TP,6.5x3,5		R543	2001-001047	R-CARBON(S):1.2Mohm,5%,1/2W,AA,TP,2.4x6.	
CN	AA39-20115A	LEAD-CONNECTOR,ASSY,-,BUSHING,-,1P,500,3		R546	2001-001113	R-CARBON(S):270Kohm,5%,1/2W,AA,TP,2.4x6.	
CN501	AA39-20163A	LEAD CONNECTOR-ASSY,-,YFH806-04,S,4P,500		R540	2001-001122	R-CARBON(S):3.9Kohm,5%,1/2W,AA,TP,2.4x6.	
CN503	3711-002644	CONNECTOR-HEADER:BOX,5P,1R,2.5mm,STRAIGH		R544	2001-001129	R-CARBON(S):330Kohm,5%,1/2W,AA,TP,2.4x6.	
CN503	AA39-20020D	LEAD-CONNECTOR,ASSY,-,67096-005,S,5P,600		R548	2001-001129	R-CARBON(S):330Kohm,5%,1/2W,AA,TP,2.4x6.	
CN504	3711-002644	CONNECTOR-HEADER:BOX,5P,1R,2.5mm,STRAIGH		R549	2001-001129	R-CARBON(S):330Kohm,5%,1/2W,AA,TP,2.4x6.	
CN504	AA39-20020J	LEAD-CONNECTOR,ASSY,-,67096-005,S,5P,400		R545	2001-001150	R-CARBON(S):470Kohm,5%,1/2W,AA,TP,2.4x6.	
D501	0402-000536	DIODE-RECTIFIER:RH10F,1500V,0.8A,DO-204A		R532	2001-001159	R-CARBON(S):510ohm,5%,1/2W,AA,TP,2.4x6.4	
D502	0402-000132	DIODE-RECTIFIER:1N4004,400V,1A,DO-41,TP		R535	2001-001164	R-CARBON(S):56Kohm,5%,1/2W,AA,TP,2.4x6.4	
D503	0402-000132	DIODE-RECTIFIER:1N4004,400V,1A,DO-41,TP		R542	2002-000119	R-COMPOSITION:1Kohm,10%,1/2W,AA,TP,3.5x9	
D504	0402-000132	DIODE-RECTIFIER:1N4004,400V,1A,DO-41,TP		R537	2003-000468	R-METAL OXIDE(S):10ohm,5%,1W,AA,TP,3.3x9	
DZ501	0403-000531	DIODE-ZENER:MTZ13B,13V,12.55-13.21V,500m		R521	2001-000864	R-CARBON:56Kohm,5%,1/8W,AA,TP,1.8x3.2mm	
DZ502	0403-000531	DIODE-ZENER:MTZ13B,13V,12.55-13.21V,500m		C533	2201-000119	C-CERAMIC,DISC:100nF,+80-20%,50V,Y5V,TP,	
DZ503	0403-000531	DIODE-ZENER:MTZ13B,13V,12.55-13.21V,500m		C535	2201-000119	C-CERAMIC,DISC:100nF,+80-20%,50V,Y5V,TP,	
IC501	1201-000539	IC-VIDEO AMP:6101,ZIP9P,-,SINGLE,-,PLAS	H/SINK	C531	2201-000193	C-CERAMIC,DISC:10pF,0.3pF,50V,CH,TP,5x3,	
L501	2701-000115	INDUCTOR-AXIAL:10uH,10%,2.8x7mm		C537	2201-000600	C-CERAMIC,DISC:560pF,10%,50V,Y5P,TP,5x3,	
Q501	0501-000389	TR-SMALL SIGNAL:KSC815,NPN,400mW,TO-92,T		C547	2201-000611	C-CERAMIC,DISC:56pF,5%,50V,CH,TP,6.5x3,5	
R480	2008-000267	R-FUSIBLE(S):2.4ohm,5%,2W,AA,TP,3.9x10mm		C546	2305-000154	C-FILM,MPEF:100nF,5%,400V,TP,21.5x6.5x11	
R501	2001-000429	R-CARBON:1KOHM,5%,1/8W,AA,TP,-		C536	2401-000430	C-AL:10uF,20%,250V,GP,TP,10x16mm,5m	
R502	2001-001159	R-CARBON(S):510ohm,5%,1/2W,AA,TP,2.4x6.4		C538	2401-000430	C-AL:10uF,20%,250V,GP,TP,10x16mm,5m	
R503	2001-000241	R-CARBON:1.5Kohm,5%,1/8W,AA,TP,1.8x3.2m		C534	2401-000922	C-AL:22uF,20%,16V,GP,TP,5x5,5	
R504	2001-000429	R-CARBON:1KOHM,5%,1/8W,AA,TP,-		C532	2401-001363	C-AL:470uF,20%,16V,GP,TP,10x12.5,5	
R505	2001-001164	R-CARBON(S):56Kohm,5%,1/2W,AA,TP,2.4x6.4		L531	2701-000115	INDUCTOR-AXIAL:10uH,10%,2.8x7mm	
R506	2001-000281	R-CARBON:100ohm,5%,1/8W,AA,TP,1.8x3.2mm		CNV021	3711-002642	CONNECTOR-HEADER:BOX,3P,1R,2.5MM,STRAIGH	
R507	2003-000468	R-METAL OXIDE(S):10ohm,5%,1W,AA,TP,3.3x9		CNV03	3711-002642	CONNECTOR-HEADER:BOX,3P,1R,2.5MM,STRAIGH	
R508	2001-000085	R-CARBON(S):100Kohm,5%,1/2W,AA,TP,2.4x6.		CNV04	3711-002642	CONNECTOR-HEADER:BOX,3P,1R,2.5MM,STRAIGH	
R509	2001-000028	R-CARBON(S):100ohm,5%,1/2W,AA,TP,2.4x6.4		CNV05	3711-002642	CONNECTOR-HEADER:BOX,3P,1R,2.5MM,STRAIGH	
R510	2001-001122	R-CARBON(S):3.9Kohm,5%,1/2W,AA,TP,2.4x6.		CN5021	3711-002644	CONNECTOR-HEADER:BOX,5P,1R,2.5mm,STRAIGH	
R511	2001-000563	R-CARBON:27Kohm,5%,1/8W,AA,TP,1.8x3.2mm		CN5031	3711-002644	CONNECTOR-HEADER:BOX,5P,1R,2.5mm,STRAIGH	
				CN5041	3711-002644	CONNECTOR-HEADER:BOX,5P,1R,2.5mm,STRAIGH	
				CN505	3711-002644	CONNECTOR-HEADER:BOX,5P,1R,2.5mm,STRAIGH	
				CN201	3711-002646	CONNECTOR-HEADER:BOX,7P,1R,2.5mm,STRAIGH	

Loc. No.	Code No.	Description ; Specification	Remark	Loc. No.	Code No.	Description ; Specification	Remark
DZ502	0403-000531	DIODE-ZENER:MTZ13B,13V,12.55-13.21V,500m		CY06	2201-000144	C-CERAMIC,DISC:100pF,5%,50V,CH,TP,8x3,5	
DZ503	0403-000531	DIODE-ZENER:MTZ13B,13V,12.55-13.21V,500m		CY07	2401-000480	C-AL:10uF,20%,50V,GP,TP,5x11,5	
DZ501	0403-000531	DIODE-ZENER:MTZ13B,13V,12.55-13.21V,500m		CY08	2201-000144	C-CERAMIC,DISC:100pF,5%,50V,CH,TP,8x3,5	
D531	0402-000536	DIODE-RECTIFIER:RH10F,1500V,0.8A,DO-204A		GUIDE	AA61-50033A	GUIDE-LED:-,PP,HB,BLK,-,-,-	
ASSY-PCB,CRT(BLUE)				JACK	3722-000540	JACK-VHS:4P,-,AG,BLK,N	
*	AA95-20002D	ASSY-PCB,CRT,-,SPT51A,52,BLUE,-		JHY01	3722-000148	JACK-PHONE:1P,3.6mm,MBAG,BLACK,-	
C561	2201-000193	C-CERAMIC,DISC:10pF,0.3pF,50V,CH,TP,5x3,		JSY01	3722-000191	JACK-RCA:3P(VHS),3.4mm,AG,BLU,NO	
C562	2401-001363	C-AL:470uF,20%,16V,GP,TP,10x12.5,5		LDY01	0601-000385	LED:ROUND,RED,3mm,700nm	
C563	2201-000119	C-CERAMIC,DISC:100nF,+80-20%,50V,Y5V,TP,		LDY02	0601-000385	LED:ROUND,RED,3mm,700nm	
C564	2401-000922	C-AL:22uF,20%,16V,GP,TP,5x5,5		LDY03	0601-000385	LED:ROUND,RED,3mm,700nm	
C565	2201-000119	C-CERAMIC,DISC:100nF,+80-20%,50V,Y5V,TP,		LDY04	0601-000385	LED:ROUND,RED,3mm,700nm	
C566	2401-000430	C-AL:10uF,20%,250V,GP,TP,10x16mm,5m		LY01	2701-000101	INDUCTOR-AXIAL:1.2uH,10%,2.5x3.4mm	
C567	2201-000600	C-CERAMIC,DISC:560pF,10%,50V,Y5P,TP,5x3,		LY02	2701-000101	INDUCTOR-AXIAL:1.2uH,10%,2.5x3.4mm	
C568	2401-000430	C-AL:10uF,20%,250V,GP,TP,10x16mm,5m		RY05	2001-000969	R-CARBON:75ohm,5%,1/8W,AA,TP,1.8x3.2mm	
C569	2201-000969	C-CERAMIC,DISC:10nF,+80-20%,3KV,Y5V,TP,-		RY06	2001-000786	R-CARBON:47Kohm,5%,1/8W,AA,TP,1.8x3.2mm	
C571	AA27-90001B	COIL-SPARK,GAP-S-23,1.5KV,-,-,-		RY07	2001-000786	R-CARBON:47Kohm,5%,1/8W,AA,TP,1.8x3.2mm	
C575	AA27-90001B	COIL-SPARK,GAP-S-23,1.5KV,-,-,-		RY08	2001-000969	R-CARBON:75ohm,5%,1/8W,AA,TP,1.8x3.2mm	
C576	2305-000154	C-FILM,MPEF:100nF,5%,400V,TP,21.5x6.5x11		RY09	2001-001159	R-CARBON(S):510ohm,5%,1/2W,AA,TP,2.4x6.4	
C577	2201-000611	C-CERAMIC,DISC:56pF,5%,50V,CH,TP,6.5x3,5		RY10	2001-001159	R-CARBON(S):510ohm,5%,1/2W,AA,TP,2.4x6.4	
CN	AA39-20115A	LEAD-CONNECTOR,ASSY:-,BUSHING,-,1P500,3		RY11	2001-001159	R-CARBON(S):510ohm,5%,1/2W,AA,TP,2.4x6.4	
CN502	3711-002644	CONNECTOR-HEADER:BOX,5P,1R,2.5mm,STRAIGH		RY12	2001-001159	R-CARBON(S):510ohm,5%,1/2W,AA,TP,2.4x6.4	
CN5051	3711-002644	CONNECTOR-HEADER:BOX,5P,1R,2.5mm,STRAIGH		RY13	2001-001088	R-CARBON(S):1Kohm,5%,1/2W,AA,TP,2.4x6.4m	
CNH01	AA39-20116A	LEAD-CONNECTOR,ASSY:-,YFH800-03,-,3(2)P,		RY14	2001-001088	R-CARBON(S):1Kohm,5%,1/2W,AA,TP,2.4x6.4m	
D502	0402-000132	DIODE-RECTIFIER:1N4004,400V,1A,DO-41,TP		RY15	2001-000969	R-CARBON:75ohm,5%,1/8W,AA,TP,1.8x3.2mm	
D503	0402-000132	DIODE-RECTIFIER:1N4004,400V,1A,DO-41,TP		ASSY-PCB,PRE AMP			
D504	0402-000132	DIODE-RECTIFIER:1N4004,400V,1A,DO-41,TP		*	AA95-40002W	ASSY-PCB,PREAMP:-,SPM5288PF,SPT51A,PREAM	
D561	0402-000536	DIODE-RECTIFIER:RH10F,1500V,0.8A,DO-204A		RR01	2001-000290	R-CARBON:10KOHM,5%,1/8W,AA,TP,-	
DZ501	0403-000531	DIODE-ZENER:MTZ13B,13V,12.55-13.21V,500m		CR01	2401-001840	C-AL:10uF,20%,16V,GP,TP,6.3x11,5	
DZ502	0403-000531	DIODE-ZENER:MTZ13B,13V,12.55-13.21V,500m		LR01	2701-000112	INDUCTOR-AXIAL:100uH,10%,2.8x7mm	
DZ503	0403-000531	DIODE-ZENER:MTZ13B,13V,12.55-13.21V,500m		CN905	3711-002642	CONNECTOR-HEADER:BOX,3P,1R,2.5MM,STRAIGH	
IC561	1201-000539	IC-VIDEO AMP:6101,ZIP,9P,-,SINGLE,-,PLAS	H/SINK	CN905	AA39-20033J	LEAD-CONNECTOR,ASSY:-,67096-003,S,3P,700	
L561	2701-000115	INDUCTOR-AXIAL:10uH,10%,2.8x7mm		RMR01	AA59-60001Z	MODULE-REMOCON:-,ORC-638V1/SR-5CP2,38KHz	
Q561	0501-000389	TR-SMALL SIGNAL:KSC815,NPN,400mW,TO-92,T		SCREW	AA60-10011A	SCREW-TAPTITE:HH,-,PC,M4,L12,ZPC(BLK),SW	
R561	2001-000429	R-CARBON:1KOHM,5%,1/8W,AA,TP,-		BRKT	AA61-10042A	BRACKET-PCB,RMC:-,S4388,SECC,T1.0,-,-,-	
R562	2001-001159	R-CARBON(S):510ohm,5%,1/2W,AA,TP,2.4x6.4		ASSY-PCB,A/V S/W			
R563	2001-000232	R-CARBON:1.3Kohm,5%,1/8W,AA,TP,1.8x3.2m		*	AA95-40002X	ASSY-PCB,A/V S/W:-,SPM5288PF,SPT51A,A/V,	
R564	2001-000429	R-CARBON:1KOHM,5%,1/8W,AA,TP,-		AV701	3722-000502	JACK-RCA:9P,3.6MM,-,SN	
R565	2001-001164	R-CARBON(S):56Kohm,5%,1/2W,AA,TP,2.4x6.4		AV702	3722-000498	JACK-SCART:21P,-,SN,BLK,NO	
R566	2001-000281	R-CARBON:100ohm,5%,1/8W,AA,TP,1.8x3.2mm		AV703	3722-000544	JACK-VHS:12P,11.5mm,AG,BLK,N	
R567	2003-000468	R-METAL OXIDE(S):10ohm,5%,1W,AA,TP,3.3x9		C701	2401-000455	C-AL:10UF,20%,35V,GP,TP,4X7MM,5MM	
R568	2001-000085	R-CARBON(S):100Kohm,5%,1/2W,AA,TP,2.4x6.		C702	2401-000455	C-AL:10UF,20%,35V,GP,TP,4X7MM,5MM	
R569	2001-000028	R-CARBON(S):100ohm,5%,1/2W,AA,TP,2.4x6.4		C703	2201-000558	C-CERAMIC,DISC:470pF,10%,50V,Y5P,TP,5x3,	
R570	2001-001122	R-CARBON(S):3.9Kohm,5%,1/2W,AA,TP,2.4x6.		C704	2401-000455	C-AL:10UF,20%,35V,GP,TP,4X7MM,5MM	
R571	2001-000563	R-CARBON:27Kohm,5%,1/8W,AA,TP,1.8x3.2mm		C705	2201-000138	C-CERAMIC,DISC:100pF,10%,50V,Y5P,TP,4.0X	
R572	2002-000119	R-COMPOSITION:1Kohm,10%,1/2W,AA,TP,3.5x9		C706	2401-000455	C-AL:10UF,20%,35V,GP,TP,4X7MM,5MM	
R573	2001-001047	R-CARBON(S):1.2Mohm,5%,1/2W,AA,TP,2.4x6.		C707	2401-000455	C-AL:10UF,20%,35V,GP,TP,4X7MM,5MM	
R574	2001-001129	R-CARBON(S):330Kohm,5%,1/2W,AA,TP,2.4x6.		C708	2401-000455	C-AL:10UF,20%,35V,GP,TP,4X7MM,5MM	
R575	2001-001150	R-CARBON(S):470Kohm,5%,1/2W,AA,TP,2.4x6.		C709	2201-000558	C-CERAMIC,DISC:470pF,10%,50V,Y5P,TP,5x3,	
R576	2001-001113	R-CARBON(S):270Kohm,5%,1/2W,AA,TP,2.4x6.		C710	2401-000455	C-AL:10UF,20%,35V,GP,TP,4X7MM,5MM	
R577	2001-000679	R-CARBON:36Kohm,5%,1/8W,AA,TP,1.8x3.2mm		C711	2401-000455	C-AL:10UF,20%,35V,GP,TP,4X7MM,5MM	
R578	2001-001129	R-CARBON(S):330Kohm,5%,1/2W,AA,TP,2.4x6.		C712	2401-000242	C-AL:100uF,20%,10V,GP,TP,5x11,5	
R579	2001-001129	R-CARBON(S):330Kohm,5%,1/2W,AA,TP,2.4x6.		C713	2401-000455	C-AL:10UF,20%,35V,GP,TP,4X7MM,5MM	
V561	3704-001019	SOCKET-CRT:10P29,1PI,35.5PI,AU30U		C714	2401-000455	C-AL:10UF,20%,35V,GP,TP,4X7MM,5MM	
VR561	2101-000321	VR-ROTARY:1Mohm,0.2,0.6W,-,-		C715	2201-000558	C-CERAMIC,DISC:470pF,10%,50V,Y5P,TP,5x3,	
ZD561	0403-000664	DIODE-ZENER:MTZ3.6A,3.6V,3.455-3.695V,50		C716	2201-000558	C-CERAMIC,DISC:470pF,10%,50V,Y5P,TP,5x3,	
ASSY-PCB,JACK				C717	2201-000138	C-CERAMIC,DISC:100pF,10%,50V,Y5P,TP,4.0X	
*	AA95-30001M	ASSY-PCB,JACK:-,SPT51A,-,-		C718	2401-000455	C-AL:10UF,20%,35V,GP,TP,4X7MM,5MM	
CN602	3711-003641	CONNECTOR-HEADER:BOX,12P,1R,2.5mm,STRAIG		C719	2401-000455	C-AL:10UF,20%,35V,GP,TP,4X7MM,5MM	
CN602	AA39-20032C	LEAD-CONNECTOR,ASSY:-,67096-012,S,12P,40		C720	2401-000455	C-AL:10UF,20%,35V,GP,TP,4X7MM,5MM	
CN901	3711-002641	CONNECTOR-HEADER:BOX,10P,1R,2.54mm,STRAI		C722	2201-000138	C-CERAMIC,DISC:100pF,10%,50V,Y5P,TP,4.0X	
CN901	AA39-20025F	LEAD-CONNECTOR,ASSY:-,67096-010,S,10P,50		C723	2201-000558	C-CERAMIC,DISC:470pF,10%,50V,Y5P,TP,5x3,	
CN902	3711-000631	CONNECTOR-HEADER:BOX,11P,1R,2.5mm,STRAIG		C724	2201-000558	C-CERAMIC,DISC:470pF,10%,50V,Y5P,TP,5x3,	
CN904	3711-002648	CONNECTOR-HEADER:BOX,9P,1R,2.5mm,STRAIGH		C725	2401-000455	C-AL:10UF,20%,35V,GP,TP,4X7MM,5MM	
CN904	AA39-20096B	LEAD-CONNECTOR,ASSY:-,67096-009,S,9P,600		C726	2201-000423	C-CERAMIC,DISC:27pF,5%,50V,NPO,TP,5x3,2.	
CY01	2401-000480	C-AL:10uF,20%,50V,GP,TP,5x11,5		C727	2201-000423	C-CERAMIC,DISC:27pF,5%,50V,NPO,TP,5x3,2.	
CY02	2201-000558	C-CERAMIC,DISC:470pF,10%,50V,Y5P,TP,5x3,		C728	2201-000558	C-CERAMIC,DISC:470pF,10%,50V,Y5P,TP,5x3,	
CY03	2201-000558	C-CERAMIC,DISC:470pF,10%,50V,Y5P,TP,5x3,		C729	2201-000558	C-CERAMIC,DISC:470pF,10%,50V,Y5P,TP,5x3,	
CY04	2401-000480	C-AL:10uF,20%,50V,GP,TP,5x11,5		C730	2401-000455	C-AL:10UF,20%,35V,GP,TP,4X7MM,5MM	
CY05	2401-000480	C-AL:10uF,20%,50V,GP,TP,5x11,5		C731	2401-000455	C-AL:10UF,20%,35V,GP,TP,4X7MM,5MM	

Loc. No.	Code No.	Description ; Specification	Remark	Loc. No.	Code No.	Description ; Specification	Remark
C732	2401-000455	C-AL:10UF,20%,35V,GP,TP,4X7MM,5MM		L709	2701-000114	INDUCTOR-AXIAL:10uH,10%,2.5x3.4mm	
C733	2201-000426	C-CERAMIC,DISC:27pF,5%,50V,SL,TP,5x3,5		L710	2701-000114	INDUCTOR-AXIAL:10uH,10%,2.5x3.4mm	
C734	2201-000426	C-CERAMIC,DISC:27pF,5%,50V,SL,TP,5x3,5		Q701	0501-000389	TR-SMALL SIGNAL:KSC815,NPN,400mW,TO-92,T	
C735	2201-000426	C-CERAMIC,DISC:27pF,5%,50V,SL,TP,5x3,5		Q702	0501-000389	TR-SMALL SIGNAL:KSC815,NPN,400mW,TO-92,T	
C736	2201-000426	C-CERAMIC,DISC:27pF,5%,50V,SL,TP,5x3,5		Q703	0501-000389	TR-SMALL SIGNAL:KSC815,NPN,400mW,TO-92,T	
C737	2201-000138	C-CERAMIC,DISC:100pF,10%,50V,Y5P,TP,4.0X		Q704	0504-000116	TR-DIGITAL:KSR1001,NPN,300mW,4.7K-4.7K,T	
C738	2401-000455	C-AL:10UF,20%,35V,GP,TP,4X7MM,5MM		Q705	0504-000116	TR-DIGITAL:KSR1001,NPN,300mW,4.7K-4.7K,T	
C742	2201-000558	C-CERAMIC,DISC:470pF,10%,50V,Y5P,TP,5x3,		Q706	0504-000116	TR-DIGITAL:KSR1001,NPN,300mW,4.7K-4.7K,T	
C743	2401-000455	C-AL:10UF,20%,35V,GP,TP,4X7MM,5MM		Q707	0504-000116	TR-DIGITAL:KSR1001,NPN,300mW,4.7K-4.7K,T	
C744	2201-000138	C-CERAMIC,DISC:100pF,10%,50V,Y5P,TP,4.0X		Q708	0501-000389	TR-SMALL SIGNAL:KSC815,NPN,400mW,TO-92,T	
C745	2201-000138	C-CERAMIC,DISC:100pF,10%,50V,Y5P,TP,4.0X		Q709	0501-000389	TR-SMALL SIGNAL:KSC815,NPN,400mW,TO-92,T	
C747	2401-000455	C-AL:10UF,20%,35V,GP,TP,4X7MM,5MM		Q710	0501-000389	TR-SMALL SIGNAL:KSC815,NPN,400mW,TO-92,T	
C748	2201-000982	C-CERAMIC,DISC:10nF,+80-20%,50V,Y5V,TP,6		Q711	0501-000389	TR-SMALL SIGNAL:KSC815,NPN,400mW,TO-92,T	
C749	2401-002009	C-AL:100uF,20%,16V,GP,TP,6.3x7,5		Q712	0501-000389	TR-SMALL SIGNAL:KSC815,NPN,400mW,TO-92,T	
C750	2401-002299	C-AL:4.7uF,20%,50V,GP,TP,5x7,5		Q713	0501-000389	TR-SMALL SIGNAL:KSC815,NPN,400mW,TO-92,T	
C751	2401-002299	C-AL:4.7uF,20%,50V,GP,TP,5x7,5		Q714	0504-000116	TR-DIGITAL:KSR1001,NPN,300mW,4.7K-4.7K,T	
C754	2401-000455	C-AL:10UF,20%,35V,GP,TP,4X7MM,5MM		Q715	0504-000116	TR-DIGITAL:KSR1001,NPN,300mW,4.7K-4.7K,T	
C755	2401-000455	C-AL:10UF,20%,35V,GP,TP,4X7MM,5MM		Q716	0504-000116	TR-DIGITAL:KSR1001,NPN,300mW,4.7K-4.7K,T	
C756	2401-000455	C-AL:10UF,20%,35V,GP,TP,4X7MM,5MM		Q717	0504-000116	TR-DIGITAL:KSR1001,NPN,300mW,4.7K-4.7K,T	
C757	2401-000455	C-AL:10UF,20%,35V,GP,TP,4X7MM,5MM		R701	2001-000786	R-CARBON:47Kohm,5%,1/8W,AA,TP,1.8x3.2mm	
C758	2401-000242	C-AL:100uF,20%,10V,GP,TP,5x11,5		R702	2001-000660	R-CARBON:33Kohm,5%,1/8W,AA,TP,1.8x3.2mm	
C759	2401-000455	C-AL:10UF,20%,35V,GP,TP,4X7MM,5MM		R703	2001-000429	R-CARBON:1KOHM,5%,1/8W,AA,TP,-	
C760	2401-000455	C-AL:10UF,20%,35V,GP,TP,4X7MM,5MM		R704	2001-000003	R-CARBON:330ohm,5%,1/8W,AA,TP,1.8x3.2mm	
C762	2401-000455	C-AL:10UF,20%,35V,GP,TP,4X7MM,5MM		R705	2001-000786	R-CARBON:47Kohm,5%,1/8W,AA,TP,1.8x3.2mm	
C763	2201-000982	C-CERAMIC,DISC:10nF,+80-20%,50V,Y5V,TP,6		R706	2001-000660	R-CARBON:33Kohm,5%,1/8W,AA,TP,1.8x3.2mm	
C764	2401-002009	C-AL:100uF,20%,16V,GP,TP,6.3x7,5		R707	2001-000429	R-CARBON:1KOHM,5%,1/8W,AA,TP,-	
C765	2401-002009	C-AL:100uF,20%,16V,GP,TP,6.3x7,5		R708	2001-000003	R-CARBON:330ohm,5%,1/8W,AA,TP,1.8x3.2mm	
C766	2201-000982	C-CERAMIC,DISC:10nF,+80-20%,50V,Y5V,TP,6		R709	2001-000786	R-CARBON:47Kohm,5%,1/8W,AA,TP,1.8x3.2mm	
CN701	3711-003490	CONNECTOR-HEADER:BOX,20P,2R,2.54MM,ANGLE		R710	2001-000325	R-CARBON:120ohm,5%,1/8W,AA,TP,1.8x3.2mm	
CN702	3711-003490	CONNECTOR-HEADER:BOX,20P,2R,2.54MM,ANGLE		R711	2001-000429	R-CARBON:1KOHM,5%,1/8W,AA,TP,-	
D701	0401-000005	DIODE-SWITCHING:1N4148,75V,300mA,DO-35,T		R712	2001-000786	R-CARBON:47Kohm,5%,1/8W,AA,TP,1.8x3.2mm	
D702	0401-000005	DIODE-SWITCHING:1N4148,75V,300mA,DO-35,T		R713	2001-000281	R-CARBON:100ohm,5%,1/8W,AA,TP,1.8x3.2mm	
D703	0401-000005	DIODE-SWITCHING:1N4148,75V,300mA,DO-35,T		R714	2001-000786	R-CARBON:47Kohm,5%,1/8W,AA,TP,1.8x3.2mm	
D704	0401-000005	DIODE-SWITCHING:1N4148,75V,300mA,DO-35,T		R715	2001-000786	R-CARBON:47Kohm,5%,1/8W,AA,TP,1.8x3.2mm	
D705	0401-000005	DIODE-SWITCHING:1N4148,75V,300mA,DO-35,T		R716	2001-000786	R-CARBON:47Kohm,5%,1/8W,AA,TP,1.8x3.2mm	
D706	0401-000005	DIODE-SWITCHING:1N4148,75V,300mA,DO-35,T		R717	2001-000786	R-CARBON:47Kohm,5%,1/8W,AA,TP,1.8x3.2mm	
D707	0401-000005	DIODE-SWITCHING:1N4148,75V,300mA,DO-35,T		R718	2001-000786	R-CARBON:47Kohm,5%,1/8W,AA,TP,1.8x3.2mm	
D708	0401-000005	DIODE-SWITCHING:1N4148,75V,300mA,DO-35,T		R719	2001-000786	R-CARBON:47Kohm,5%,1/8W,AA,TP,1.8x3.2mm	
D709	0401-000005	DIODE-SWITCHING:1N4148,75V,300mA,DO-35,T		R720	2001-000786	R-CARBON:47Kohm,5%,1/8W,AA,TP,1.8x3.2mm	
D710	0401-000005	DIODE-SWITCHING:1N4148,75V,300mA,DO-35,T		R721	2001-000786	R-CARBON:47Kohm,5%,1/8W,AA,TP,1.8x3.2mm	
D711	0401-000005	DIODE-SWITCHING:1N4148,75V,300mA,DO-35,T		R722	2001-000786	R-CARBON:47Kohm,5%,1/8W,AA,TP,1.8x3.2mm	
D712	0401-000005	DIODE-SWITCHING:1N4148,75V,300mA,DO-35,T		R723	2001-000786	R-CARBON:47Kohm,5%,1/8W,AA,TP,1.8x3.2mm	
DZ706	0403-000654	DIODE-ZENER:MTZ12B,12V,11.44-12.03V,500m		R724	2001-000786	R-CARBON:47Kohm,5%,1/8W,AA,TP,1.8x3.2mm	
DZ707	0403-000654	DIODE-ZENER:MTZ12B,12V,11.44-12.03V,500m		R725	2001-000429	R-CARBON:1KOHM,5%,1/8W,AA,TP,-	
DZ708	0403-000654	DIODE-ZENER:MTZ12B,12V,11.44-12.03V,500m		R726	2001-000786	R-CARBON:47Kohm,5%,1/8W,AA,TP,1.8x3.2mm	
DZ709	0403-000654	DIODE-ZENER:MTZ12B,12V,11.44-12.03V,500m		R727	2001-000786	R-CARBON:47Kohm,5%,1/8W,AA,TP,1.8x3.2mm	
DZ710	0403-000654	DIODE-ZENER:MTZ12B,12V,11.44-12.03V,500m		R728	2001-000786	R-CARBON:47Kohm,5%,1/8W,AA,TP,1.8x3.2mm	
DZ712	0403-000654	DIODE-ZENER:MTZ12B,12V,11.44-12.03V,500m		R729	2001-000786	R-CARBON:47Kohm,5%,1/8W,AA,TP,1.8x3.2mm	
DZ713	0403-000654	DIODE-ZENER:MTZ12B,12V,11.44-12.03V,500m		R730	2001-000786	R-CARBON:47Kohm,5%,1/8W,AA,TP,1.8x3.2mm	
DZ714	0403-000654	DIODE-ZENER:MTZ12B,12V,11.44-12.03V,500m		R731	2001-000786	R-CARBON:47Kohm,5%,1/8W,AA,TP,1.8x3.2mm	
DZ715	0403-000654	DIODE-ZENER:MTZ12B,12V,11.44-12.03V,500m		R732	2001-000786	R-CARBON:47Kohm,5%,1/8W,AA,TP,1.8x3.2mm	
DZ716	0403-000654	DIODE-ZENER:MTZ12B,12V,11.44-12.03V,500m		R733	2001-000786	R-CARBON:47Kohm,5%,1/8W,AA,TP,1.8x3.2mm	
DZ717	0403-000654	DIODE-ZENER:MTZ12B,12V,11.44-12.03V,500m		R734	2001-000734	R-CARBON:4.7Kohm,5%,1/8W,AA,TP,1.8x3.2m	
DZ718	0403-000654	DIODE-ZENER:MTZ12B,12V,11.44-12.03V,500m		R735	2001-000734	R-CARBON:4.7Kohm,5%,1/8W,AA,TP,1.8x3.2m	
DZ719	0403-000654	DIODE-ZENER:MTZ12B,12V,11.44-12.03V,500m		R736	2001-001175	R-CARBON(S):62ohm,5%,1/2W,AA,TP,2.4x6.4m	
DZ720	0403-000654	DIODE-ZENER:MTZ12B,12V,11.44-12.03V,500m		R737	2001-000302	R-CARBON:10ohm,5%,1/8W,AA,TP,1.8x3.2mm	
DZ721	0403-000654	DIODE-ZENER:MTZ12B,12V,11.44-12.03V,500m		R738	2001-000290	R-CARBON:10KOHM,5%,1/8W,AA,TP,-	
DZ722	0403-000654	DIODE-ZENER:MTZ12B,12V,11.44-12.03V,500m		R739	2001-000290	R-CARBON:10KOHM,5%,1/8W,AA,TP,-	
DZ723	0403-000654	DIODE-ZENER:MTZ12B,12V,11.44-12.03V,500m		R740	2001-000302	R-CARBON:10ohm,5%,1/8W,AA,TP,1.8x3.2mm	
DZ724	0403-000654	DIODE-ZENER:MTZ12B,12V,11.44-12.03V,500m		R742	2001-000290	R-CARBON:10KOHM,5%,1/8W,AA,TP,-	
DZ725	0403-000654	DIODE-ZENER:MTZ12B,12V,11.44-12.03V,500m		R743	2001-000522	R-CARBON:22Kohm,5%,1/8W,AA,TP,1.8x3.2mm	
DZ726	0403-000654	DIODE-ZENER:MTZ12B,12V,11.44-12.03V,500m		R744	2001-000290	R-CARBON:10KOHM,5%,1/8W,AA,TP,-	
DZ727	0403-000654	DIODE-ZENER:MTZ12B,12V,11.44-12.03V,500m		R745	2001-000281	R-CARBON:100ohm,5%,1/8W,AA,TP,1.8x3.2mm	
DZ728	0403-000654	DIODE-ZENER:MTZ12B,12V,11.44-12.03V,500m		R746	2001-000429	R-CARBON:1KOHM,5%,1/8W,AA,TP,-	
DZ729	0403-000654	DIODE-ZENER:MTZ12B,12V,11.44-12.03V,500m		R747	2001-000786	R-CARBON:47Kohm,5%,1/8W,AA,TP,1.8x3.2mm	
IC701	0801-000961	IC-CMOS LOGIC:4053B,MUTIPLEXER,DIP,16P3		R749	2001-000290	R-CARBON:10KOHM,5%,1/8W,AA,TP,-	
IC702	0801-000961	IC-CMOS LOGIC:4053B,MUTIPLEXER,DIP,16P3		R750	2001-000302	R-CARBON:10ohm,5%,1/8W,AA,TP,1.8x3.2mm	
IC703	1001-000217	IC-AUDIO SWITCH:KA2192B,4-INPUT,DIP,30P,		R751	2001-000969	R-CARBON:75ohm,5%,1/8W,AA,TP,1.8x3.2mm	
IC704	1001-000217	IC-AUDIO SWITCH:KA2192B,4-INPUT,DIP,30P,		R752	2001-000786	R-CARBON:47Kohm,5%,1/8W,AA,TP,1.8x3.2mm	
L701	2701-000114	INDUCTOR-AXIAL:10uH,10%,2.5x3.4mm		R753	2001-000429	R-CARBON:1KOHM,5%,1/8W,AA,TP,-	
L702	2701-000114	INDUCTOR-AXIAL:10uH,10%,2.5x3.4mm		R754	2001-000429	R-CARBON:1KOHM,5%,1/8W,AA,TP,-	
L703	2701-000114	INDUCTOR-AXIAL:10uH,10%,2.5x3.4mm		R756	2001-000786	R-CARBON:47Kohm,5%,1/8W,AA,TP,1.8x3.2mm	
L704	2701-000114	INDUCTOR-AXIAL:10uH,10%,2.5x3.4mm		R757	2001-000302	R-CARBON:10ohm,5%,1/8W,AA,TP,1.8x3.2mm	
L705	2701-000114	INDUCTOR-AXIAL:10uH,10%,2.5x3.4mm		R758	2001-000969	R-CARBON:75ohm,5%,1/8W,AA,TP,1.8x3.2mm	
L706	2701-000114	INDUCTOR-AXIAL:10uH,10%,2.5x3.4mm		R759	2001-000429	R-CARBON:1KOHM,5%,1/8W,AA,TP,-	
L707	2701-000114	INDUCTOR-AXIAL:10uH,10%,2.5x3.4mm		R760	2001-000786	R-CARBON:47Kohm,5%,1/8W,AA,TP,1.8x3.2mm	
L708	2701-000114	INDUCTOR-AXIAL:10uH,10%,2.5x3.4mm		R761	2001-000429	R-CARBON:1KOHM,5%,1/8W,AA,TP,-	

Loc. No.	Code No.	Description ; Specification	Remark	Loc. No.	Code No.	Description ; Specification	Remark
R762	2001-000786	R-CARBON:47Kohm,5%,1/8W,AA,TP,1.8x3.2mm		C689	2401-000480	C-AL:10uF,20%,50V,GP,TP,5x11,5	
R763	2001-000969	R-CARBON:75ohm,5%,1/8W,AA,TP,1.8x3.2mm		C691	2203-001105	C-CERAMIC,CHIP:6.8nF,10%,50V,X7R,TP,2012	
R764	2001-000429	R-CARBON:1KOHM,5%,1/8W,AA,TP,-		CJ01	2305-000412	C-FILM,MPEF:470nF,5%,63V,TP,-,5mm	
R765	2001-000969	R-CARBON:75ohm,5%,1/8W,AA,TP,1.8x3.2mm		CJ02	2203-000192	C-CERAMIC,CHIP:100nF,+80-20%,50V,Y5V,TP,	
R766	2001-000786	R-CARBON:47Kohm,5%,1/8W,AA,TP,1.8x3.2mm		CJ03	2203-000239	C-CERAMIC,CHIP:100pF,5%,50V,NPO,TP,2012,	
R767	2001-000786	R-CARBON:47Kohm,5%,1/8W,AA,TP,1.8x3.2mm		CJ04	2203-000239	C-CERAMIC,CHIP:100pF,5%,50V,NPO,TP,2012,	
R768	2001-000429	R-CARBON:1KOHM,5%,1/8W,AA,TP,-		CJ05	2203-000753	C-CERAMIC,CHIP:330nF,+80-20%,50V,Y5V,TP,	
R769	2001-001015	R-CARBON:9.1Kohm,5%,1/8W,AA,TP,1.8x3.2m		CJ06	2203-000609	C-CERAMIC,CHIP:22nF,10%,50V,X7R,TP,2012,	
R771	2001-000302	R-CARBON:10ohm,5%,1/8W,AA,TP,1.8x3.2mm		CJ07	2203-000192	C-CERAMIC,CHIP:100nF,+80-20%,50V,Y5V,TP,	
R772	2001-000591	R-CARBON:3.3Kohm,5%,1/8W,AA,TP,1.8x3.2m		CJ08	2401-000480	C-AL:10uF,20%,50V,GP,TP,5x11,5	
R773	2004-001126	R-METAL:6.2Kohm,1%,1/8W,AA,TP,1.8x3.2m		CJ09	2401-000603	C-AL:1uF,20%,50V,GP,TP,5x11,5	
R774	2001-000302	R-CARBON:10ohm,5%,1/8W,AA,TP,1.8x3.2mm		CJ10	2203-000192	C-CERAMIC,CHIP:100nF,+80-20%,50V,Y5V,TP,	
R775	2001-000591	R-CARBON:3.3Kohm,5%,1/8W,AA,TP,1.8x3.2m		CJ11	2203-000192	C-CERAMIC,CHIP:100nF,+80-20%,50V,Y5V,TP,	
R776	2004-001126	R-METAL:6.2Kohm,1%,1/8W,AA,TP,1.8x3.2m		CJ12	2401-000480	C-AL:10uF,20%,50V,GP,TP,5x11,5	
R777	2001-000019	R-CARBON(S):10ohm,5%,1/2W,AA,TP,2.4x6.4mm		CJ13	2203-000595	C-CERAMIC,CHIP:220pF,5%,50V,NPO,TP,2012,	
R778	2001-000302	R-CARBON:10ohm,5%,1/8W,AA,TP,1.8x3.2mm		CJ14	2401-000480	C-AL:10uF,20%,50V,GP,TP,5x11,5	
R779	2001-001066	R-CARBON(S):110ohm,5%,1/2W,AA,TP,2.4x6.4		CJ15	2203-000274	C-CERAMIC,CHIP:10pF,0.25pF,50V,NPO,TP,20	
R780	2001-000302	R-CARBON:10ohm,5%,1/8W,AA,TP,1.8x3.2mm		CJ16	2401-000480	C-AL:10uF,20%,50V,GP,TP,5x11,5	
R781	2001-000429	R-CARBON:1KOHM,5%,1/8W,AA,TP,-		CJ17	2203-000192	C-CERAMIC,CHIP:100nF,+80-20%,50V,Y5V,TP,	
R782	2001-000429	R-CARBON:1KOHM,5%,1/8W,AA,TP,-		CJ18	2203-000839	C-CERAMIC,CHIP:390pF,5%,50V,NPO,TP,2012,	
R783	2001-000241	R-CARBON:1.5Kohm,5%,1/8W,AA,TP,1.8x3.2m		CJ19	2203-000192	C-CERAMIC,CHIP:100nF,+80-20%,50V,Y5V,TP,	
R784	2001-000028	R-CARBON(S):100ohm,5%,1/2W,AA,TP,2.4x6.4		CJ20	2401-002144	C-AL:47uF,20%,16V,GP,TP,5x11,5	
R785	2001-000281	R-CARBON:100ohm,5%,1/8W,AA,TP,1.8x3.2mm		CJ21	2401-000480	C-AL:10uF,20%,50V,GP,TP,5x11,5	
R786	2001-000429	R-CARBON:1KOHM,5%,1/8W,AA,TP,-		CJ22	2203-000979	C-CERAMIC,CHIP:47nF,10%,50V,X7R,TP,2012,	
R787	2001-000429	R-CARBON:1KOHM,5%,1/8W,AA,TP,-		CJ23	2203-000578	C-CERAMIC,CHIP:220nF,20%,50V,Y5V,TP,3216	
R788	2001-000290	R-CARBON:10KOHM,5%,1/8W,AA,TP,-		CJ24	2401-001569	C-AL:47uF,20%,50V,BP,TP,10x12.5mm,5	
R789	2001-000003	R-CARBON:330ohm,5%,1/8W,AA,TP,1.8x3.2mm		CJ25	2401-002144	C-AL:47uF,20%,16V,GP,TP,5x11,5	
R790	2001-000429	R-CARBON:1KOHM,5%,1/8W,AA,TP,-		CJ26	2203-000192	C-CERAMIC,CHIP:100nF,+80-20%,50V,Y5V,TP,	
R791	2001-000281	R-CARBON:100ohm,5%,1/8W,AA,TP,1.8x3.2mm		CJ27	2401-001569	C-AL:47uF,20%,50V,BP,TP,10x12.5mm,5	
R792	2001-000003	R-CARBON:330ohm,5%,1/8W,AA,TP,1.8x3.2mm		CJ28	2203-000578	C-CERAMIC,CHIP:390pF,5%,50V,Y5V,TP,3216	
R793	2001-000429	R-CARBON:1KOHM,5%,1/8W,AA,TP,-		CJ29	2203-000192	C-CERAMIC,CHIP:100nF,+80-20%,50V,Y5V,TP,	
R794	2001-000281	R-CARBON:100ohm,5%,1/8W,AA,TP,1.8x3.2mm		CJ30	2203-000192	C-CERAMIC,CHIP:100nF,+80-20%,50V,Y5V,TP,	
R795	2001-000028	R-CARBON(S):100ohm,5%,1/2W,AA,TP,2.4x6.4		CJ31	2401-002144	C-AL:47uF,20%,16V,GP,TP,5x11,5	
R796	2001-000302	R-CARBON:10ohm,5%,1/8W,AA,TP,1.8x3.2mm		CJ32	2401-001989	C-AL:4.7uF,20%,50V,BP,TP,5x11,5	
R798	2001-001187	R-CARBON(S):75ohm,5%,1/2W,AA,TP,2.4x6.4mm		CJ33	2203-001223	C-CERAMIC,CHIP:820pF,10%,50V,X7R,TP,2012	
R799	2001-000302	R-CARBON:10ohm,5%,1/8W,AA,TP,1.8x3.2mm		CJ34	2401-001989	C-AL:4.7uF,20%,50V,BP,TP,5x11,5	
RW701	2011-001098	R-NETWORK:75/75/1K/75ohm,5%,1/8W,-,SIP,5		CJ35	2401-002144	C-AL:47uF,20%,16V,GP,TP,5x11,5	
RW702	2011-001133	R-NETWORK:33K/24K/75x3,5%,1/8W,X,SIP,6P,		CJ36	2203-001223	C-CERAMIC,CHIP:820pF,10%,50V,X7R,TP,2012	

ASSY-PCB,AUDIO

* AA95-40004L ASSY-PCB,AUDIO;-,CS7277PF/MVXT,SCT51A,-,

C	2201-000180	C-CERAMIC,DISC:10nF,10%,50V,Y5V,TP,6.5*3	
C653	2401-000480	C-AL:10uF,20%,50V,GP,TP,5x11,5	
C654	2401-000480	C-AL:10uF,20%,50V,GP,TP,5x11,5	
C655	2301-000320	C-FILM,PEF:82nF,5%,50V,TP,8.0x4.5x8.5mm,	
C656	2203-001132	C-CERAMIC,CHIP:680pF,5%,50V,NPO,TP,2012,	
C657	2401-000947	C-AL:22uF,20%,35V,GP,TP,5x11,5	
C658	2401-000947	C-AL:22uF,20%,35V,GP,TP,5x11,5	
C659	2203-000192	C-CERAMIC,CHIP:100nF,+80-20%,50V,Y5V,TP,	
C660	2203-000192	C-CERAMIC,CHIP:100nF,+80-20%,50V,Y5V,TP,	
C661	2203-001105	C-CERAMIC,CHIP:6.8nF,10%,50V,X7R,TP,2012	
C662	2203-000444	C-CERAMIC,CHIP:1nF,10%,50V,X7R,TP,2012,-	
C663	2203-000609	C-CERAMIC,CHIP:22nF,10%,50V,X7R,TP,2012,	
C664	2203-000609	C-CERAMIC,CHIP:22nF,10%,50V,X7R,TP,2012,	
C665	2203-000495	C-CERAMIC,CHIP:2.2nF,10%,50V,X7R,TP,2012	
C666	2203-000192	C-CERAMIC,CHIP:100nF,+80-20%,50V,Y5V,TP,	
C669	2203-000192	C-CERAMIC,CHIP:100nF,+80-20%,50V,Y5V,TP,	
C670	2401-002144	C-AL:47uF,20%,16V,GP,TP,5x11,5	
C671	2401-001026	C-AL:3.3uF,20%,50V,GP,TP,5x11mm,5mm	
C672	2401-001026	C-AL:3.3uF,20%,50V,GP,TP,5x11mm,5mm	
C673	2401-000480	C-AL:10uF,20%,50V,GP,TP,5x11,5	
C674	2203-000260	C-CERAMIC,CHIP:10nF,10%,50V,X7R,TP,2012,	
C675	2203-000192	C-CERAMIC,CHIP:100nF,+80-20%,50V,Y5V,TP,	
C676	2201-000452	C-CERAMIC,DISC:3.9nF,10%,50V,Y5P,TP,8x3,	
C678	2401-000660	C-AL:2.2uF,20%,50V,GP,TP,5x11,5	
C679	2401-000660	C-AL:2.2uF,20%,50V,GP,TP,5x11,5	
C680	2203-000891	C-CERAMIC,CHIP:4.7nF,10%,50V,X7R,TP,2012	
C681	2401-002042	C-AL:220uF,20%,10V,GP,TP,6.3x11,5	
C682	2203-000891	C-CERAMIC,CHIP:4.7nF,10%,50V,X7R,TP,2012	
C684	2203-000260	C-CERAMIC,CHIP:10nF,10%,50V,X7R,TP,2012,	
C685	2203-000260	C-CERAMIC,CHIP:10nF,10%,50V,X7R,TP,2012,	
C686	2401-000242	C-AL:100uF,20%,10V,GP,TP,5x11,5	
C687	2203-000192	C-CERAMIC,CHIP:100nF,+80-20%,50V,Y5V,TP,	
C688	2401-000480	C-AL:10uF,20%,50V,GP,TP,5x11,5	

CN601	3711-002709	CONNECTOR-HEADER:NOWALL,12P,1R,2.5MM,ANG	
CN602	3711-002709	CONNECTOR-HEADER:NOWALL,12P,1R,2.5MM,ANG	
DJ01	0401-000005	DIODE-SWITCHING:1N4148,75V,300mA,DO-35,T	
DJ02	0405-000108	DIODE-VARACTOR:BB405B,28V,10nA,D	
IC602	0904-000004	IC-PERIPHERAL:1853,-,DIP,30P,-,-,ST,-,PL	
IC603	1204-000515	IC-SOUND PROCESSOR:TDA9840/V2,DIP,20P,32	
ICJ01	1204-000449	IC-DECODER:SAAT283ZP,DIP,52P,600MIL,PLAS	
ICJ02	1201-000191	IC-OP AMP:4558,DIP,8P,300MIL,DUAL,20V/mV	
L651	2702-000131	INDUCTOR-RADIAL:2.2mH,5%,6.2x7.4mm	
LJ01	2701-000114	INDUCTOR-AXIAL:10uH,10%,2.5x3.4mm	
LJ02	2701-000208	INDUCTOR-AXIAL:6.8uH,10%,2.5x3.4mm	
R650	2007-000872	R-CHIP:4.7KOHM,5%,1/10W,DA,TP,2012	
R651	2007-000300	R-CHIP:10KOHM,5%,1/10W,DA,TP,2012	
R652	2007-000300	R-CHIP:10KOHM,5%,1/10W,DA,TP,2012	
R653	2007-001141	R-CHIP:7.5KOHM,5%,1/10W,DA,TP,2012	
R654	2007-001141	R-CHIP:7.5KOHM,5%,1/10W,DA,TP,2012	
R657	2007-000290	R-CHIP:100OHM,5%,1/10W,DA,TP,2012	
R658	2007-000290	R-CHIP:100OHM,5%,1/10W,DA,TP,2012	
R659	2007-000710	R-CHIP:3.9KOHM,5%,1/10W,DA,TP,2012	
R661	2007-000290	R-CHIP:100OHM,5%,1/10W,DA,TP,2012	
R662	2007-001141	R-CHIP:7.5KOHM,5%,1/10W,DA,TP,2012	
R663	2007-000029	R-CHIP:00HM,5%,1/10W,DA,TP,2012	
R664	2007-000290	R-CHIP:100OHM,5%,1/10W,DA,TP,2012	
R665	2007-001195	R-CHIP:820KOHM,5%,1/10W,DA,TP,2012	
R666	2007-000872	R-CHIP:4.7KOHM,5%,1/10W,DA,TP,2012	
R667	2007-000872	R-CHIP:4.7KOHM,5%,1/10W,DA,TP,2012	
RJ01	2007-000290	R-CHIP:100OHM,5%,1/10W,DA,TP,2012	
RJ02	2007-000290	R-CHIP:100OHM,5%,1/10W,DA,TP,2012	
RJ03	2007-001113	R-CHIP:680KOHM,5%,1/10W,DA,TP,2012	
RJ04	2007-000593	R-CHIP:220HM,5%,1/10W,DA,TP,2012	
RJ05	2007-000477	R-CHIP:1MOHM,5%,1/10W,DA,TP,2012	
RJ06	2007-000586	R-CHIP:22KOHM,5%,1/10W,DA,TP,2012	
RJ07	2007-000300	R-CHIP:10KOHM,5%,1/10W,DA,TP,2012	
RJ08	2001-001096	R-CARBON(S):2.2ohm,5%,1/2W,AA,TP,2.4x6.4	
RJ09	2007-000290	R-CHIP:100OHM,5%,1/10W,DA,TP,2012	
RJ10	2007-000468	R-CHIP:1KOHM,5%,1/10W,DA,TP,2012	
RJ12	2007-000774	R-CHIP:33KOHM,5%,1/10W,DA,TP,2012	
RJ13	2007-000267	R-CHIP:1.8KOHM,5%,1/10W,DA,TP,2012	
RJ14	2007-000034	R-CHIP:1OHM,5%,1/8W,DA,TP,3216	

Electric Parts List

Loc. No.	Code No.	Description ; Specification	Remark	Loc. No.	Code No.	Description ; Specification	Remark
R307	2001-000028	R-CARBON(S):100ohm,5%,1/2W,AA,TP,2.4x6.4		RJ409	2001-000210	R-CARBON:0ohm,5%,1/8W,AA,TP,1.8x3.2mm	
R308	2001-001152	R-CARBON(S):47Kohm,5%,1/2W,AA,TP,2.4x6.4		RJ410	2001-000210	R-CARBON:0ohm,5%,1/8W,AA,TP,1.8x3.2mm	
R309	2001-001155	R-CARBON(S):5.6Kohm,5%,1/2W,AA,TP,2.4x6.4		RJ411	2001-000210	R-CARBON:0ohm,5%,1/8W,AA,TP,1.8x3.2mm	
R310	2001-000028	R-CARBON(S):100ohm,5%,1/2W,AA,TP,2.4x6.4		RJ412	2001-000210	R-CARBON:0ohm,5%,1/8W,AA,TP,1.8x3.2mm	
R311	2001-001146	R-CARBON(S):4.7ohm,5%,1/2W,AA,TP,2.4x6.4		RJ413	2001-000210	R-CARBON:0ohm,5%,1/8W,AA,TP,1.8x3.2mm	
R312	2001-001107	R-CARBON(S):220ohm,5%,1/2W,AA,TP,2.4x6.4		RJ414	2001-000210	R-CARBON:0ohm,5%,1/8W,AA,TP,1.8x3.2mm	
R313	2001-001107	R-CARBON(S):220ohm,5%,1/2W,AA,TP,2.4x6.4		RJ415	2001-000210	R-CARBON:0ohm,5%,1/8W,AA,TP,1.8x3.2mm	
R314	2001-001107	R-CARBON(S):220ohm,5%,1/2W,AA,TP,2.4x6.4		RJ416	2001-000210	R-CARBON:0ohm,5%,1/8W,AA,TP,1.8x3.2mm	
R315	2003-000606	R-METAL OXIDE(S):270ohm,5%,2W,AA,TP,4x12		RJ417	2001-000210	R-CARBON:0ohm,5%,1/8W,AA,TP,1.8x3.2mm	
R316	2003-000606	R-METAL OXIDE(S):270ohm,5%,2W,AA,TP,4x12		RJ418	2001-000210	R-CARBON:0ohm,5%,1/8W,AA,TP,1.8x3.2mm	
R317	2008-000190	R-FUSIBLE(S):1.2ohm,5%,2W,AA,TP,3.9x10mm		RJ419	2001-000210	R-CARBON:0ohm,5%,1/8W,AA,TP,1.8x3.2mm	
R401	2004-001989	R-METAL:620ohm,5%,1/8W,AA,TP,1.8x3.2mm		RJ420	2001-000210	R-CARBON:0ohm,5%,1/8W,AA,TP,1.8x3.2mm	
R402	2001-000003	R-CARBON:330ohm,5%,1/8W,AA,TP,1.8x3.2mm		RJ421	2001-000210	R-CARBON:0ohm,5%,1/8W,AA,TP,1.8x3.2mm	
R403	2003-000683	R-METAL OXIDE(S):4.7Kohm,5%,1W,AA,TP,3.3		RJ422	2001-000210	R-CARBON:0ohm,5%,1/8W,AA,TP,1.8x3.2mm	
R404	2003-000417	R-METAL OXIDE(S):1.2Kohm,5%,3W,AA,TP,6x1		RJ423	2001-000210	R-CARBON:0ohm,5%,1/8W,AA,TP,1.8x3.2mm	
R405	2006-000319	R-CEMENT:3Kohm,5%,5W,CA,BK,9.5x25x9.5mm		RJ424	2001-000210	R-CARBON:0ohm,5%,1/8W,AA,TP,1.8x3.2mm	
R406	2001-000020	R-CARBON(S):220ohm,5%,1/2W,AA,TP,2.4x6.4m		RJ425	2001-000210	R-CARBON:0ohm,5%,1/8W,AA,TP,1.8x3.2mm	
R407	2003-000522	R-METAL OXIDE(S):180ohm,5%,1W,AA,TP,3.3x		RJ428	2001-000210	R-CARBON:0ohm,5%,1/8W,AA,TP,1.8x3.2mm	
R408	2003-000634	R-METAL OXIDE(S):3.9Kohm,5%,1W,AA,TP,3.3		RJ429	2001-000210	R-CARBON:0ohm,5%,1/8W,AA,TP,1.8x3.2mm	
R409	2001-001143	R-CARBON(S):4.3Kohm,5%,1/2W,AA,TP,2.4x6.4		RJ433	2001-000210	R-CARBON:0ohm,5%,1/8W,AA,TP,1.8x3.2mm	
R410	2003-000561	R-METAL OXIDE(S):2.7Kohm,5%,2W,AA,TP,4x1		RJ434	2001-000210	R-CARBON:0ohm,5%,1/8W,AA,TP,1.8x3.2mm	
R411	2004-001989	R-METAL:620ohm,5%,1/8W,AA,TP,1.8x3.2mm		RJ436	2001-000210	R-CARBON:0ohm,5%,1/8W,AA,TP,1.8x3.2mm	
R412	2001-000003	R-CARBON:330ohm,5%,1/8W,AA,TP,1.8x3.2mm		RJ438	2001-000210	R-CARBON:0ohm,5%,1/8W,AA,TP,1.8x3.2mm	
R413	2003-000650	R-METAL OXIDE(S):330ohm,5%,2W,AA,TP,4x12		RJ445	2001-000210	R-CARBON:0ohm,5%,1/8W,AA,TP,1.8x3.2mm	
R414	2008-000298	R-FUSIBLE:47ohm,5%,1/4W,AA,TP,-		RV01	2008-001005	R-FUSIBLE:0.47ohm,10%,1W,AA,TP,4.7x11.7m	
R415	2001-000020	R-CARBON(S):220ohm,5%,1/2W,AA,TP,2.4x6.4m		RV02	2001-000281	R-CARBON:100ohm,5%,1/8W,AA,TP,1.8x3.2mm	
R416	2003-000561	R-METAL OXIDE(S):2.7Kohm,5%,2W,AA,TP,4x1		RV03	2001-001178	R-CARBON(S):680ohm,5%,1/2W,AA,TP,2.4x6.4	
R417	2008-001005	R-FUSIBLE:0.47ohm,10%,1W,AA,TP,4.7x11.7m		RV04	2001-000331	R-CARBON:12KOHM,5%,1/8W,AA,TP,-	
R421	2003-000487	R-METAL OXIDE(S):12Kohm,5%,2W,AA,TP,4x12		RV05	2001-000890	R-CARBON:6.8Kohm,5%,1/8W,AA,TP,1.8x3.2m	
R423	2001-001099	R-CARBON(S):2.7Kohm,5%,1/2W,AA,TP,2.4x6.4		RV06	2001-000449	R-CARBON:2.2Kohm,5%,1/8W,AA,TP,1.8x3.2m	
R424	2001-001088	R-CARBON(S):1Kohm,5%,1/2W,AA,TP,2.4x6.4m		RV07	2001-000449	R-CARBON:2.2Kohm,5%,1/8W,AA,TP,1.8x3.2m	
R425	2003-000752	R-METAL OXIDE(S):6.8Kohm,5%,2W,AA,TP,4x1		RV09	2001-000780	R-CARBON:470ohm,5%,1/8W,AA,TP,1.8x3.2mm	
R426	2001-001144	R-CARBON(S):4.7Kohm,5%,1/2W,AA,TP,2.4x6.4		RV10	2001-000429	R-CARBON:1KOHM,5%,1/8W,AA,TP,-	
R441	2001-000591	R-CARBON:3.3Kohm,5%,1/8W,AA,TP,1.8x3.2m		RV11	2008-001005	R-FUSIBLE:0.47ohm,10%,1W,AA,TP,4.7x11.7m	
R444	2004-001185	R-METAL:680Kohm,5%,1/8W,AA,TP,1.8x3.2m		RV12	2001-001192	R-CARBON(S):820ohm,5%,1/2W,AA,TP,2.4x6.4	
R445	2004-001384	R-METAL(S):150Kohm,1%,1/2W,AA,TP,2.4x6.4		RV13	2001-000793	R-CARBON:47ohm,5%,1/8W,AA,TP,1.8x3.2mm	
R446	2001-000109	R-CARBON(S):470ohm,5%,1/2W,AA,TP,2.4x6.4		RV14	2001-000118	R-CARBON(S):180ohm,5%,1/2W,AA,TP,2.4x6.4	
R447	2001-001086	R-CARBON(S):18Kohm,5%,1/2W,AA,TP,2.4x6.4		RV15	2001-000009	R-CARBON:20KOHM,5%,1/8W,AA,TP,-	
R448	2001-001047	R-CARBON(S):1.2Mohm,5%,1/2W,AA,TP,2.4x6.4		RV16	2001-000734	R-CARBON:4.7Kohm,5%,1/8W,AA,TP,1.8x3.2m	
R449	2001-001142	R-CARBON(S):3Kohm,5%,1/2W,AA,TP,2.4x6.4m		RV17	2001-000660	R-CARBON:33Kohm,5%,1/8W,AA,TP,1.8x3.2mm	
R450	2001-000007	R-CARBON:3Kohm,5%,1/8W,AA,TP,1.8x3.2mm		RV18	2001-000793	R-CARBON:47ohm,5%,1/8W,AA,TP,1.8x3.2mm	
R451	2001-000591	R-CARBON:3.3Kohm,5%,1/8W,AA,TP,1.8x3.2m		RV19	2001-000019	R-CARBON(S):10ohm,5%,1/2W,AA,TP,2.4x6.4m	
R452	2001-001131	R-CARBON(S):33Kohm,5%,1/2W,AA,TP,2.4x6.4		RV20	2001-001195	R-CARBON(S):82ohm,5%,1/2W,AA,TP,2.4x6.4m	
R453	2001-001088	R-CARBON(S):1Kohm,5%,1/2W,AA,TP,2.4x6.4m		RV21	2001-001195	R-CARBON(S):82ohm,5%,1/2W,AA,TP,2.4x6.4m	
R454	2003-002046	R-METAL OXIDE(S):3.3KOHM,5%,3W,AA,TP,6X1		RV22	2001-001045	R-CARBON(S):1.2Kohm,5%,1/2W,AA,TP,2.4x6.4	
R455	2003-000538	R-METAL OXIDE(S):1Kohm,5%,2W,AA,TP,4x12m		RV23	2001-001050	R-CARBON(S):1.2Kohm,5%,1/2W,AA,TP,2.4x6.4	
R456	2003-000505	R-METAL OXIDE(S):150ohm,5%,3W,AA,TP,6x16		RV24	2001-001179	R-CARBON(S):68Kohm,5%,1/2W,AA,TP,2.4x6.4	
R457	2004-001390	R-METAL(S):1Kohm,2%,1/2W,AA,TP,2.4x6.4mm		RV25	2001-001179	R-CARBON(S):68Kohm,5%,1/2W,AA,TP,2.4x6.4	
R460	2001-001179	R-CARBON(S):68Kohm,5%,1/2W,AA,TP,2.4x6.4		RV26	2001-001050	R-CARBON(S):1.5Kohm,5%,1/2W,AA,TP,2.4x6.4	
R461	2001-001088	R-CARBON(S):1Kohm,5%,1/2W,AA,TP,2.4x6.4m		RV27	2001-001045	R-CARBON(S):1.2Kohm,5%,1/2W,AA,TP,2.4x6.4	
R462	2001-001194	R-CARBON(S):82Kohm,5%,1/2W,AA,TP,2.4x6.4		RV28	2003-000744	R-METAL OXIDE(S):56ohm,5%,2W,AA,TP,4x12m	
R471	2008-000241	R-FUSIBLE:1.9ohm,5%,2W,CA,BK,6.3x18x6.3m		RV29	2001-001152	R-CARBON(S):47Kohm,5%,1/2W,AA,TP,2.4x6.4	
R472	2001-000085	R-CARBON(S):100Kohm,5%,1/2W,AA,TP,2.4x6.4		RV30	2003-000744	R-METAL OXIDE(S):56ohm,5%,2W,AA,TP,4x12m	
R473	2001-000085	R-CARBON(S):100Kohm,5%,1/2W,AA,TP,2.4x6.4		RV31	2001-001100	R-CARBON(S):2.7ohm,5%,1/2W,AA,TP,2.4x6.4	
R474	2008-000263	R-FUSIBLE:1ohm,5%,1/2W,AA,TP,4.7x11mm		RV32	2001-001100	R-CARBON(S):2.7ohm,5%,1/2W,AA,TP,2.4x6.4	
R475	2008-001005	R-FUSIBLE:0.47ohm,10%,1W,AA,TP,4.7x11.7m		RV33	2003-000578	R-METAL OXIDE(S):220ohm,5%,2W,AA,TP,4x12	
R476	2001-001107	R-CARBON(S):220ohm,5%,1/2W,AA,TP,2.4x6.4		RV34	2001-000429	R-CARBON:1KOHM,5%,1/8W,AA,TP,-	
R481	2001-001164	R-CARBON(S):56Kohm,5%,1/2W,AA,TP,2.4x6.4		T401	AA26-90001K	TRANS-DUMMY;-;5.5MH,EER404215,130/46/16.	
R482	2004-001379	R-METAL(S):12Kohm,1%,1/2W,AA,TP,2.4x6.4m		T402	AA26-50001A	HORIZ.DRIVE;-;90MH,67UH,9.5UH,YL81,ST	
RJ301	2001-000210	R-CARBON:0ohm,5%,1/8W,AA,TP,1.8x3.2mm		T403	AA26-50001F	HORIZ.DRIVE;-;50mH,594uH,4.0uH,E119,-	
RJ302	2001-000210	R-CARBON:0ohm,5%,1/8W,AA,TP,1.8x3.2mm		T404	AA26-90001L	TRANS-DUMMY;-;1.5mH,ER4042,-	
RJ303	2001-000210	R-CARBON:0ohm,5%,1/8W,AA,TP,1.8x3.2mm		T444	AA26-30001U	TRANS-FLYBACK;-;FWZ-43B001,43,125V	
RJ304	2001-000210	R-CARBON:0ohm,5%,1/8W,AA,TP,1.8x3.2mm		VR401	2103-000670	VR-SEMI:1Kohm,25%,1/5W,TOP	
RJ305	2001-000210	R-CARBON:0ohm,5%,1/8W,AA,TP,1.8x3.2mm		ZD301	0403-000655	DIODE-ZENER:MTZ13A,13V,12.11-12.75V,500m	
RJ306	2001-000210	R-CARBON:0ohm,5%,1/8W,AA,TP,1.8x3.2mm		ZD302	0403-000699	DIODE-ZENER:TZP27B,27V,27-30.8V,1W,DO-41	
RJ307	2001-000210	R-CARBON:0ohm,5%,1/8W,AA,TP,1.8x3.2mm		ZD303	0403-000700	DIODE-ZENER:TZP33A,33V,31-35V,1W,DO-41,T	
RJ308	2001-000210	R-CARBON:0ohm,5%,1/8W,AA,TP,1.8x3.2mm		ZD304	0403-000699	DIODE-ZENER:TZP27B,27V,27-30.8V,1W,DO-41	
RJ309	2001-000210	R-CARBON:0ohm,5%,1/8W,AA,TP,1.8x3.2mm		ZD305	0403-000699	DIODE-ZENER:TZP27B,27V,27-30.8V,1W,DO-41	
RJ310	2001-000210	R-CARBON:0ohm,5%,1/8W,AA,TP,1.8x3.2mm		ZD306	0403-000658	DIODE-ZENER:MTZ18A,18V,16.22-17.06V,500m	
RJ401	2001-000210	R-CARBON:0ohm,5%,1/8W,AA,TP,1.8x3.2mm		ZD307	0403-000355	DIODE-ZENER:UZ5.1BSB,5.1V,4.97-5.18V,500	
RJ402	2001-000210	R-CARBON:0ohm,5%,1/8W,AA,TP,1.8x3.2mm		ZD308	0403-000699	DIODE-ZENER:TZP27B,27V,27-30.8V,1W,DO-41	
RJ403	2001-000210	R-CARBON:0ohm,5%,1/8W,AA,TP,1.8x3.2mm		ZD401	0403-000300	DIODE-ZENER:MTZ8.2B,8.2V,7.78-8.19V,500m	
RJ404	2001-000210	R-CARBON:0ohm,5%,1/8W,AA,TP,1.8x3.2mm		ZD402	0403-000654	DIODE-ZENER:MTZ12B,12V,11.44-12.03V,500m	
RJ405	2001-000210	R-CARBON:0ohm,5%,1/8W,AA,TP,1.8x3.2mm		ZD405	0403-000299	DIODE-ZENER:MTZ7.5C,7.5V,7.29-7.67V,500m	
RJ406	2001-000210	R-CARBON:0ohm,5%,1/8W,AA,TP,1.8x3.2mm		ZD423	0403-000355	DIODE-ZENER:UZ5.1BSB,5.1V,4.97-5.18V,500	
RJ407	2001-000210	R-CARBON:0ohm,5%,1/8W,AA,TP,1.8x3.2mm		ZD424	0403-000294	DIODE-ZENER:MTZ4.7B,4.7V,4.55-4.80V,500m	
RJ408	2001-000210	R-CARBON:0ohm,5%,1/8W,AA,TP,1.8x3.2mm		ZDV01	0403-000655	DIODE-ZENER:MTZ13A,13V,12.11-12.75V,500m	

Loc. No.	Code No.	Description ; Specification	Remark	Loc. No.	Code No.	Description ; Specification	Remark
ASSY-PCB,CONVERGENCE							
*	AA95-90001S	ASSY-PCB,CONVERGENCE-;SPM5288F,SPT51A,P		CZ055	2401-000302	C-AL:100uF,20%,25V,GP,TP,6.3x11,5	
BT+HS	AA60-10008A	SCREW-TAPPING;TH,+,M3,L10,ZPC(YEL),SWRCH		CZ056	2401-000302	C-AL:100uF,20%,25V,GP,TP,6.3x11,5	
C651	2301-000192	C-FILM,PEF;1nF,5%,50V,TP,5.3x10mm,5mm		CZ057	2401-000302	C-AL:100uF,20%,25V,GP,TP,6.3x11,5	
C652	2401-001333	C-AL:470nF,20%,50V,GP,TP,5x11,5		CZ058	2401-000988	C-AL:3.3uF,20%,100V,GP,TP,5x11mm,5mm	
C653	2301-000192	C-FILM,PEF;1nF,5%,50V,TP,5.3x10mm,5mm		CZ059	2401-000302	C-AL:100uF,20%,25V,GP,TP,6.3x11,5	
C654	2401-001333	C-AL:470nF,20%,50V,GP,TP,5x11,5		CZ060	2401-000480	C-AL:10uF,20%,50V,GP,TP,5x11,5	
C655	2201-002022	C-CERAMIC,DISC;5pF,0.25pF,500V,NPO,TP,5x		CZ061	2401-000988	C-AL:3.3uF,20%,100V,GP,TP,5x11mm,5mm	
C656	2201-002022	C-CERAMIC,DISC;5pF,0.25pF,500V,NPO,TP,5x		CZ062	2401-001914	C-AL:1uF,20%,50V,GP,TP,5x11,5	
C657	2301-000530	C-FILM,PEF;100nF,5%,100V,TP,11.5x12.5x6		CZ063	2401-000302	C-AL:100uF,20%,25V,GP,TP,6.3x11,5	
C658	2301-000530	C-FILM,PEF;100nF,5%,100V,TP,11.5x12.5x6		CZ064	2401-000302	C-AL:100uF,20%,25V,GP,TP,6.3x11,5	
C675	2401-000360	C-AL:100uF,20%,50V,GP,TP,8x11.5,5		CZ064A	2401-000711	C-AL:2200uF,20%,25V,GP,TP,16x25,7.5	
C676	2401-001661	C-AL:68uF,20%,100V,GP,TP,10x16,5		CZ065	2401-001397	C-AL:470uF,20%,25V,GP,TP,10x16,5	
C678	2401-000360	C-AL:100uF,20%,50V,GP,TP,8x11.5,5		CZ066	2401-001397	C-AL:470uF,20%,25V,GP,TP,10x16,5	
C679	2401-001429	C-AL:470uF,20%,50V,GP,TP,13x20,5		CZ067	2401-001429	C-AL:470uF,20%,50V,GP,TP,13x20,5	
C680	2401-000360	C-AL:100uF,20%,50V,GP,TP,8x11.5,5		CZ067A	2401-001989	C-AL:4.7uF,20%,50V,GP,TP,5x11,5	
C681	2401-001429	C-AL:470uF,20%,50V,GP,TP,13x20,5		CZ068	2401-001429	C-AL:470uF,20%,50V,GP,TP,13x20,5	
C682	2401-001661	C-AL:68uF,20%,100V,GP,TP,10x16,5		CZ069	2401-000365	C-AL:100uF,20%,50V,WT,TP,10x12.5mm,5	
C683	2401-000360	C-AL:100uF,20%,50V,GP,TP,8x11.5,5		CZ070	2401-000365	C-AL:100uF,20%,50V,WT,TP,10x12.5mm,5	
C684	2401-000773	C-AL:220uF,20%,10V,NP,TP,10x12.5,5mm		CZ071	2401-000365	C-AL:100uF,20%,50V,WT,TP,10x12.5mm,5	
C685	2401-000622	C-AL:2.2uF,20%,100V,GP,TP,13x25mm,5		CZ072	2401-000365	C-AL:100uF,20%,50V,WT,TP,10x12.5mm,5	
C686	2401-000622	C-AL:2.2uF,20%,100V,GP,TP,13x25mm,5		CZ073	2401-000365	C-AL:100uF,20%,50V,WT,TP,10x12.5mm,5	
CN401	3711-002643	CONNECTOR-HEADER;BOX,4P,1R,2.5MM,STRAIGH		CZ074	2401-000365	C-AL:100uF,20%,50V,WT,TP,10x12.5mm,5	
CN401	AA39-20018A	LEAD-CONNECTOR,ASSY-;YSH025-04,S,4P,100		CZ075	2401-001570	C-AL:47uF,20%,50V,WT,TP,10x20MM,5MM	
CN601	3711-002645	CONNECTOR-HEADER;BOX,6P,1R,2.5MM,STRAIGH		CZ080	2401-000302	C-AL:100uF,20%,25V,GP,TP,6.3x11,5	
CN602	3711-003641	CONNECTOR-HEADER;BOX,12P,1R,2.5mm,STRAIG		D651	0401-000005	DIODE-SWITCHING;1N4148,75V,300mA,DO-35,T	
CN603	3711-002643	CONNECTOR-HEADER;BOX,4P,1R,2.5MM,STRAIGH		D652	0402-000132	DIODE-RECTIFIER;1N4004,400V,1A,DO-41,TP	
CN604	3711-002643	CONNECTOR-HEADER;BOX,4P,1R,2.5MM,STRAIGH		DZ001	0401-000005	DIODE-SWITCHING;1N4148,75V,300mA,DO-35,T	
CN802	3711-002644	CONNECTOR-HEADER;BOX,5P,1R,2.5mm,STRAIGH		DZ002	0401-000005	DIODE-SWITCHING;1N4148,75V,300mA,DO-35,T	
CNZ02	3711-002646	CONNECTOR-HEADER;BOX,7P,1R,2.5mm,STRAIGH		DZ003	0401-000005	DIODE-SWITCHING;1N4148,75V,300mA,DO-35,T	
CNZ02	AA39-20029K	LEAD CONNECTOR,ASSY-;67096-007,S,7P,400		DZ004	0401-000005	DIODE-SWITCHING;1N4148,75V,300mA,DO-35,T	
CNZ03	3711-000445	CONNECTOR-HEADER;BOX,6P,1R,2.5MM,STRAIGH		DZ005	0402-000132	DIODE-RECTIFIER;1N4004,400V,1A,DO-41,TP	
CNZ03	AA39-20027A	LEAD-CONNECTOR,ASSY-;67096-006,S,6P,300		DZ006	0402-000132	DIODE-RECTIFIER;1N4004,400V,1A,DO-41,TP	
CZ001	2301-000310	C-FILM,PEF;68nF,5%,50V,TP,8.0x8.5x4.0x		DZ007	0401-000005	DIODE-SWITCHING;1N4148,75V,300mA,DO-35,T	
CZ002	2306-000122	C-FILM,MPPF;100nF,5%,50V,TP,7.3x4.0x5.0m		DZ008	0401-000005	DIODE-SWITCHING;1N4148,75V,300mA,DO-35,T	
CZ004	2201-000265	C-CERAMIC,DISC;180pF,5%,50V,RH,TP,8x3,5		DZ009	0401-000005	DIODE-SWITCHING;1N4148,75V,300mA,DO-35,T	
CZ005	2301-000108	C-FILM,PEF;1.5nF,5%,50V,TP,6.5x3.0x5.5mm		DZ010	0401-000005	DIODE-SWITCHING;1N4148,75V,300mA,DO-35,T	
CZ006	2301-000175	C-FILM,PEF;15nF,5%,50V,TP,7.1x3.5x13mm,5		DZ011	0401-000005	DIODE-SWITCHING;1N4148,75V,300mA,DO-35,T	
CZ007	2301-000104	C-FILM,PEF;1.2nF,5%,50V,TP,6.5x3.0x5.5mm		DZ012	0401-000005	DIODE-SWITCHING;1N4148,75V,300mA,DO-35,T	
CZ008	2201-000145	C-CERAMIC,DISC;100pF,5%,50V,RH,TP,8.0*3		DZ013	0401-000005	DIODE-SWITCHING;1N4148,75V,300mA,DO-35,T	
CZ009	2201-000145	C-CERAMIC,DISC;100pF,5%,50V,RH,TP,8.0*3		DZ014	0401-000005	DIODE-SWITCHING;1N4148,75V,300mA,DO-35,T	
CZ011	2301-000227	C-FILM,PEF;27nF,5%,50V,TP,7x3.5x6.5mm,5m		DZ015	0401-000005	DIODE-SWITCHING;1N4148,75V,300mA,DO-35,T	
CZ012	2201-000982	C-CERAMIC,DISC;10nF,+80-20%,50V,Y5V,TP,6		DZ016	0401-000005	DIODE-SWITCHING;1N4148,75V,300mA,DO-35,T	
CZ013	2201-000982	C-CERAMIC,DISC;10nF,+80-20%,50V,Y5V,TP,6		DZ017	0401-000005	DIODE-SWITCHING;1N4148,75V,300mA,DO-35,T	
CZ014	2201-000556	C-CERAMIC,DISC;470pF,10%,500V,Y5P,TP,7x4		DZ018	0401-000005	DIODE-SWITCHING;1N4148,75V,300mA,DO-35,T	
CZ015	2201-000138	C-CERAMIC,DISC;100pF,10%,50V,Y5P,TP,4.0X		DZ020	0403-000655	DIODE-ZENER;MT213A,13V,12.11-12.75V,500m	
CZ016	2201-000411	C-CERAMIC,DISC;270pF,10%,50V,Y5P,TP,5x3		DZ024	0403-000655	DIODE-ZENER;MT213A,13V,12.11-12.75V,500m	
CZ017	2201-000325	C-CERAMIC,DISC;2.2nF,10%,500V,Y5P,TP,8x4		HC651	AA13-20001WIC	HYBRID-;STK4142(2),SIP,18PAUDIO POW	
CZ018	2201-000325	C-CERAMIC,DISC;2.2nF,10%,500V,Y5P,TP,8x4		HCZ01	1203-000121	IC-NEGA.FIXED REG.;7906,TO-220,3P,-PLAS	H/SINK
CZ019	2201-000472	C-CERAMIC,DISC;330pF,5%,50V,SL,TP,8x3.5		HCZ02	1203-000284	IC-POSI.FIXED REG.;7806,TO-220,3P,-PLAS	H/SINK
CZ020	2201-000556	C-CERAMIC,DISC;470pF,10%,500V,Y5P,TP,7x4		HCZ03	AA13-20001V	IC-HYBRID-;STK391-020,SIP,15POP AMP	
CZ021	2201-000411	C-CERAMIC,DISC;270pF,10%,50V,Y5P,TP,5x3		HCZ04	AA13-20001V	IC-HYBRID-;STK391-020,SIP,15POP AMP	
CZ022	2201-000138	C-CERAMIC,DISC;100pF,10%,50V,Y5P,TP,4.0X		HCZ05	AA13-20001V	IC-HYBRID-;STK391-020,SIP,15POP AMP	
CZ023	2201-000556	C-CERAMIC,DISC;470pF,10%,500V,Y5P,TP,7x4		HETSIN	AA61-10183A	BRACKET-TR-;S4388,STS,TO.5,-,-,-	
CZ024	2201-000411	C-CERAMIC,DISC;270pF,10%,50V,Y5P,TP,5x3		ICZ01	1201-000191	IC-OP AMP;4558,DIP,8P,300MIL,DUAL,20V/mV	
CZ025	2201-000325	C-CERAMIC,DISC;2.2nF,10%,500V,Y5P,TP,8x4		ICZ02	0801-000659	IC-CMOS LOGIC;74HC123,MULTIVIBATOR,DIP,1	
CZ026	2201-000325	C-CERAMIC,DISC;2.2nF,10%,500V,Y5P,TP,8x4		ICZ03	0801-000659	IC-CMOS LOGIC;74HC123,MULTIVIBATOR,DIP,1	
CZ027	2201-000472	C-CERAMIC,DISC;330pF,5%,50V,SL,TP,8x3.5		LZ001	AA27-10001Z	COIL-CHOKE-;13UH,K,-,3A,-,14UH-K(3A),10	
CZ028	2201-000556	C-CERAMIC,DISC;470pF,10%,500V,Y5P,TP,7x4		LZ002	AA27-10001Z	COIL-CHOKE-;13UH,K,-,3A,-,14UH-K(3A),10	
CZ029	2201-000411	C-CERAMIC,DISC;270pF,10%,50V,Y5P,TP,5x3		LZ003	3301-000287	CORE-FERRITE BEAD;AA,3.5x1x6mm,1500,2400	
CZ030	2201-000138	C-CERAMIC,DISC;100pF,10%,50V,Y5P,TP,4.0X		LZ004	3301-000287	CORE-FERRITE BEAD;AA,3.5x1x6mm,1500,2400	
CZ031	2201-000556	C-CERAMIC,DISC;470pF,10%,500V,Y5P,TP,7x4		LZ005	2701-000142	INDUCTOR-AXIAL;1uH,10%,2.5x3.4mm	
CZ032	2201-000411	C-CERAMIC,DISC;270pF,10%,50V,Y5P,TP,5x3		LZ006	2701-000142	INDUCTOR-AXIAL;1uH,10%,2.5x3.4mm	
CZ033	2201-000325	C-CERAMIC,DISC;2.2nF,10%,500V,Y5P,TP,8x4		LZ007	2701-000142	INDUCTOR-AXIAL;1uH,10%,2.5x3.4mm	
CZ034	2201-000325	C-CERAMIC,DISC;2.2nF,10%,500V,Y5P,TP,8x4		LZ008	2701-000142	INDUCTOR-AXIAL;1uH,10%,2.5x3.4mm	
CZ035	2201-000472	C-CERAMIC,DISC;330pF,5%,50V,SL,TP,8x3.5		LZ009	2701-000142	INDUCTOR-AXIAL;1uH,10%,2.5x3.4mm	
CZ036	2201-000556	C-CERAMIC,DISC;470pF,10%,500V,Y5P,TP,7x4		LZ010	2701-000142	INDUCTOR-AXIAL;1uH,10%,2.5x3.4mm	
CZ037	2201-000411	C-CERAMIC,DISC;270pF,10%,50V,Y5P,TP,5x3		LZ011	2701-000142	INDUCTOR-AXIAL;1uH,10%,2.5x3.4mm	
CZ038	2306-000122	C-FILM,MPPF;100nF,5%,50V,TP,7.3x4.0x5.0m		LZ012	2701-000142	INDUCTOR-AXIAL;1uH,10%,2.5x3.4mm	
CZ051	2401-000471	C-AL:10uF,20%,50V,GP,TP,5x11,5mm		PCB+HS	6003-000335	SCREW-TAPTING;RH,+,2S,M3,L8,ZPC(YEL),SWR	
CZ052	2401-001569	C-AL:47uF,20%,50V,GP,TP,10x12.5mm,5		Q651	0501-000389	TR-SMALL SIGNAL;KSC815,NPN,400mW,TO-92,T	
CZ053	2401-000934	C-AL:22uF,20%,25V,GP,TP,6.3x11,5		Q652	0501-000389	TR-SMALL SIGNAL;KSC815,NPN,400mW,TO-92,T	
CZ054	2401-000302	C-AL:100uF,20%,25V,GP,TP,6.3x11,5		Q653	0501-000369	TR-SMALL SIGNAL;KSC2331-Y,NPN,1W,TO-92L,	
				QZ001	0501-000389	TR-SMALL SIGNAL;KSC815,NPN,400mW,TO-92,T	
				QZ002	0501-000389	TR-SMALL SIGNAL;KSC815,NPN,400mW,TO-92,T	
				QZ003	0501-000283	TR-SMALL SIGNAL;KSA539,PNP,400mW,TO-92,T	
				QZ004	0501-000389	TR-SMALL SIGNAL;KSC815,NPN,400mW,TO-92,T	
				QZ005	0502-000441	TR-POWER;2SC4635RB,NPN,2W,TO-220,ST,10-	H/SINK

Loc. No.	Code No.	Description ; Specification	Remark	Loc. No.	Code No.	Description ; Specification	Remark
RK161	2007-000030	R-CHIP:560OHM,5%,1/10W,DA,TP,2012		CP141	2203-000239	C-CERAMIC,CHIP:100pF,5%,50V,NPO,TP,2012,	
RK162	2007-000981	R-CHIP:5.6KOHM,5%,1/10W,DA,TP,2012		CP142	2401-000199	C-AL:1000uF,20%,6.3V,GP,TP,10x12.5,5	
RK163	2007-000941	R-CHIP:47KOHM,5%,1/10W,DA,TP,2012		CP143	2401-002619	C-AL:47uF,20%,25V,GP,TP,5x11,5	
RK164	2007-000586	R-CHIP:22KOHM,5%,1/10W,DA,TP,2012		CP144	2203-000221	C-CERAMIC,CHIP:100nF,20%,50V,Y5V,TP,3216	
RK165	2007-000586	R-CHIP:22KOHM,5%,1/10W,DA,TP,2012		CP145	2203-000221	C-CERAMIC,CHIP:100nF,20%,50V,Y5V,TP,3216	
RK166	2007-000030	R-CHIP:560OHM,5%,1/10W,DA,TP,2012		CP201	2203-000325	C-CERAMIC,CHIP:12nF,10%,50V,X7R,TP,3216,	
RL112	2001-000734	R-CARBON:4.7Kohm,5%,1/8W,AA,TP,1.8x3.2mm		CP203	2401-002144	C-AL:47uF,20%,16V,GP,TP,5x11,5	
RN111	2007-000941	R-CHIP:47KOHM,5%,1/10W,DA,TP,2012		CP204	2203-000221	C-CERAMIC,CHIP:100nF,20%,50V,Y5V,TP,3216	
RN112	2007-000981	R-CHIP:5.6KOHM,5%,1/10W,DA,TP,2012		CP205	2401-001271	C-AL:4.7uF,20%,50V,GP,TP,4X7,5MM	
RN113	2007-000941	R-CHIP:47KOHM,5%,1/10W,DA,TP,2012		CP206	2203-000221	C-CERAMIC,CHIP:100nF,20%,50V,Y5V,TP,3216	
RN114	2007-000941	R-CHIP:47KOHM,5%,1/10W,DA,TP,2012		CP207	2401-000480	C-AL:10uF,20%,50V,GP,TP,5x11,5	
RN117	2001-000786	R-CARBON:47Kohm,5%,1/8W,AA,TP,1.8x3.2mm		CP208	2203-000221	C-CERAMIC,CHIP:100nF,20%,50V,Y5V,TP,3216	
RN118	2007-000282	R-CHIP:100KOHM,5%,1/10W,DA,TP,2012		CP209	2401-001914	C-AL:1uF,20%,50V,BP,TP,5x11,5	
RN119	2007-000282	R-CHIP:100KOHM,5%,1/10W,DA,TP,2012		CP210	2401-000603	C-AL:1uF,20%,50V,GP,TP,5x11,5	
RN161	2007-000586	R-CHIP:22KOHM,5%,1/10W,DA,TP,2012		CP211	2401-000603	C-AL:1uF,20%,50V,GP,TP,5x11,5	
RN162	2007-000030	R-CHIP:560OHM,5%,1/10W,DA,TP,2012		CP213	2401-000603	C-AL:1uF,20%,50V,GP,TP,5x11,5	
RN163	2007-000941	R-CHIP:47KOHM,5%,1/10W,DA,TP,2012		CP214	2203-000578	C-CERAMIC,CHIP:220nF,20%,50V,Y5V,TP,3216	
RN164	2007-001071	R-CHIP:6.8KOHM,5%,1/10W,DA,TP,2012		CP215	2401-000603	C-AL:1uF,20%,50V,GP,TP,5x11,5	
RN165	2007-000941	R-CHIP:47KOHM,5%,1/10W,DA,TP,2012		CP216	2203-000221	C-CERAMIC,CHIP:100nF,20%,50V,Y5V,TP,3216	
RN166	2007-001071	R-CHIP:6.8KOHM,5%,1/10W,DA,TP,2012		CP217	2203-000578	C-CERAMIC,CHIP:220nF,20%,50V,Y5V,TP,3216	
RN167	2007-000941	R-CHIP:47KOHM,5%,1/10W,DA,TP,2012		CP218	2203-002085	C-CERAMIC,CHIP:56nF,10%,50V,X7R,TP,2012,	
SHIELD	AA63-40014A	SHIELD-CASE,T,-,SPT,E,TO.5,SCT51A,-		CP219	2203-000495	C-CERAMIC,CHIP:2.2nF,10%,50V,X7R,TP,2012	
VR111	2103-000665	VR-SEMI:20Kohm,25%,1/5W,SIDE		CP220	2203-000578	C-CERAMIC,CHIP:220nF,20%,50V,Y5V,TP,3216	
Z111	2904-000253	FILTER-SAW AV:33.9MHZ,DIP10P,ST,17.1DB,P		CP221	2203-000221	C-CERAMIC,CHIP:100nF,20%,50V,Y5V,TP,3216	
Z112	2903-001019	FILTER-CERAMIC,TR:5.5/5.742MHZ,-,-,TP,		CP301	2401-001840	C-AL:100uF,20%,16V,GP,TP,6.3x11,5	
Z161	2904-000300	FILTER-SAW AV:38.90MHZ,SIP5K,ST,13.2dB,P		CP302	2203-000221	C-CERAMIC,CHIP:100nF,20%,50V,Y5V,TP,3216	
Z162	2904-000303	FILTER-SAW AV:38.90MHZ,-,ST,14.6dB,SECAM		CP303	2401-002144	C-AL:47uF,20%,16V,GP,TP,5x11,5	
Z163	2903-000185	FILTER-CERAMIC,BP:5.5MHZ,+75KHz,6dB,-,T		CP304	2203-000221	C-CERAMIC,CHIP:100nF,20%,50V,Y5V,TP,3216	
Z167	2903-000189	FILTER-CERAMIC,BP:5.74MHZ,+50KHz,8dB,-,		CP305	2203-000389	C-CERAMIC,CHIP:15pF,5%,50V,NPO,TP,2012,-	
Z168	2903-000189	FILTER-CERAMIC,BP:5.74MHZ,+50KHz,8dB,-,		CP306	2203-000389	C-CERAMIC,CHIP:15pF,5%,50V,NPO,TP,2012,-	
Z1161	2903-000277	FILTER-CERAMIC,BP:6.0MHZ,60KHz,6.0dB,-,T		CP308	2203-001245	C-CERAMIC,CHIP:82pF,5%,50V,NPO,TP,2012,-	
ZK163	2903-000202	FILTER-CERAMIC,BP:6.5MHZ,+80KHz,6dB,-,T		DP101	0401-000160	DIODE-SWITCHING:ISS314,30V,100mA,USC,TP	
ZN111	2903-001022	FILTER-CERAMIC,TR:4.5MHZ,-,0.5dB,-,TP,-		DP103	0403-000563	DIODE-ZENER:MTZ9.1B,9.1V,8.57-9.01V,500m	
ZN161	2903-000135	FILTER-CERAMIC,BP:4.5MHZ,+60KHz,6dB,-,T		DP105	0401-000160	DIODE-SWITCHING:ISS314,30V,100mA,USC,TP	
ZN162	2903-000135	FILTER-CERAMIC,BP:4.5MHZ,+60KHz,6dB,-,T		DP201	0403-000662	DIODE-ZENER:MTZ3.0B,3.0V,3.01-3.22V,500m	
ASSY-PCB,PIP				ICP101	1204-000530	IC-PAL/NTSC DECODER:TDA9160A,DIP,32P,400	
*				ICP102	1204-000560	IC-DEMOMULATOR:TDA9815,DIP,32P,400MIL,PL	
AA95-90003WASSY-PCB,PIP,-,CS7277PF/MVTS,SCT51A,BG,D				ICP103	AA13-20003F	IC-HYBRID:-,PAP101,SIP,5PPREAMP,BK	
CNP01	3711-002709	CONNECTOR-HEADER:NOWALL,12P,1R,2.5MM,ANG		ICP105	1204-000635	IC-PICTURE PROCESS:SDA9189X,SOP,32P,350M	
CNP03	3711-002709	CONNECTOR-HEADER:NOWALL,12P,1R,2.5MM,ANG		ICP201	1002-000206	IC-A/D CONVERTER:SDA9187-2X,6BIT,SOP,28P	
CP101	2203-000221	C-CERAMIC,CHIP:100nF,20%,50V,Y5V,TP,3216		LP101	2701-000114	INDUCTOR-AXIAL:10uH,10%,2.5x3.4mm	
CP102	2401-000922	C-AL:22uF,20%,16V,GP,TP,5x5,5		LP102	2701-000219	INDUCTOR-AXIAL:820nH,10%,2.5x3.4mm	
CP103	2203-000429	C-CERAMIC,CHIP:18pF,5%,50V,NPO,TP,2012,-		LP103	2701-000114	INDUCTOR-AXIAL:10uH,10%,2.5x3.4mm	
CP104	2203-000192	C-CERAMIC,CHIP:100nF,+80-20%,50V,Y5V,TP,		LP104	2701-000114	INDUCTOR-AXIAL:10uH,10%,2.5x3.4mm	
CP105	2203-000717	C-CERAMIC,CHIP:3.3nF,10%,50V,X7R,TP,3216		LP105	2701-000114	INDUCTOR-AXIAL:10uH,10%,2.5x3.4mm	
CP106	2203-000612	C-CERAMIC,CHIP:22nF,10%,50V,X7R,TP,3216,		LP201	2701-000197	INDUCTOR-AXIAL:5.6uH,10%,2.5x3.4mm	
CP107	2203-000221	C-CERAMIC,CHIP:100nF,20%,50V,Y5V,TP,3216		LP202	2701-000114	INDUCTOR-AXIAL:10uH,10%,2.5x3.4mm	
CP108	2203-000221	C-CERAMIC,CHIP:100nF,20%,50V,Y5V,TP,3216		LP301	2701-000114	INDUCTOR-AXIAL:10uH,10%,2.5x3.4mm	
CP110	2203-000221	C-CERAMIC,CHIP:100nF,20%,50V,Y5V,TP,3216		LP302	2701-000114	INDUCTOR-AXIAL:10uH,10%,2.5x3.4mm	
CP111	2203-000716	C-CERAMIC,CHIP:3.3nF,10%,50V,X7R,TP,2012		OP101	0501-000342	TR-SMALL SIGNAL:KSC1623-Y,NPN,200mW,SOT-	
CP112	2401-000660	C-AL:2.2uF,20%,50V,GP,TP,5x11,5		OP102	0501-000342	TR-SMALL SIGNAL:KSC1623-Y,NPN,200mW,SOT-	
CP113	2203-000891	C-CERAMIC,CHIP:4.7nF,10%,50V,X7R,TP,2012		OP103	0501-000280	TR-SMALL SIGNAL:KSA1182,PNP,150mW,SOT-23	
CP114	2203-000221	C-CERAMIC,CHIP:100nF,20%,50V,Y5V,TP,3216		OP104	0501-000342	TR-SMALL SIGNAL:KSC1623-Y,NPN,200mW,SOT-	
CP115	2203-000221	C-CERAMIC,CHIP:100nF,20%,50V,Y5V,TP,3216		OP105	0501-000342	TR-SMALL SIGNAL:KSC1623-Y,NPN,200mW,SOT-	
CP116	2203-000753	C-CERAMIC,CHIP:330nF,+80-20%,50V,Y5V,TP,		OP201	0501-000342	TR-SMALL SIGNAL:KSC1623-Y,NPN,200mW,SOT-	
CP117	2401-002619	C-AL:47uF,20%,25V,GP,TP,5x11,5		OP202	0501-000342	TR-SMALL SIGNAL:KSC1623-Y,NPN,200mW,SOT-	
CP118	2203-000221	C-CERAMIC,CHIP:100nF,20%,50V,Y5V,TP,3216		OP203	0501-000280	TR-SMALL SIGNAL:KSA1182,PNP,150mW,SOT-23	
CP120	2203-000221	C-CERAMIC,CHIP:100nF,20%,50V,Y5V,TP,3216		OP204	0501-000342	TR-SMALL SIGNAL:KSC1623-Y,NPN,200mW,SOT-	
CP121	2401-000660	C-AL:2.2uF,20%,50V,GP,TP,5x11,5		OP205	0501-000342	TR-SMALL SIGNAL:KSC1623-Y,NPN,200mW,SOT-	
CP123	2203-000260	C-CERAMIC,CHIP:10nF,10%,50V,X7R,TP,2012,		OP206	0501-000342	TR-SMALL SIGNAL:KSC1623-Y,NPN,200mW,SOT-	
CP124	2401-000660	C-AL:2.2uF,20%,50V,GP,TP,5x11,5		OP302	0501-000342	TR-SMALL SIGNAL:KSC1623-Y,NPN,200mW,SOT-	
CP125	2203-000260	C-CERAMIC,CHIP:10nF,10%,50V,X7R,TP,2012,		OP303	0501-000280	TR-SMALL SIGNAL:KSA1182,PNP,150mW,SOT-23	
CP126	2401-001840	C-AL:100uF,20%,16V,GP,TP,6.3x11,5		OP304	0501-000280	TR-SMALL SIGNAL:KSA1182,PNP,150mW,SOT-23	
CP127	2203-000221	C-CERAMIC,CHIP:100nF,20%,50V,Y5V,TP,3216		OP305	0501-000280	TR-SMALL SIGNAL:KSA1182,PNP,150mW,SOT-23	
CP129	2203-000260	C-CERAMIC,CHIP:10nF,10%,50V,X7R,TP,2012,		RC129	2007-000586	R-CHIP:22KOHM,5%,1/10W,DA,TP,2012	
CP130	2203-000239	C-CERAMIC,CHIP:100pF,5%,50V,NPO,TP,2012,		RP101	2007-001208	R-CHIP:82KOHM,5%,1/10W,DA,TP,2012	
CP132	2203-000239	C-CERAMIC,CHIP:100pF,5%,50V,NPO,TP,2012,		RP103	2007-000290	R-CHIP:100OHM,5%,1/10W,DA,TP,2012	
CP133	2203-000221	C-CERAMIC,CHIP:100nF,20%,50V,Y5V,TP,3216		RP104	2007-000468	R-CHIP:1KOHM,5%,1/10W,DA,TP,2012	
CP134	2401-001026	C-AL:3.3uF,20%,50V,GP,TP,5x11mm,5mm		RP105	2007-000328	R-CHIP:11KOHM,5%,1/10W,DA,TP,2012	
CP135	2401-002144	C-AL:47uF,20%,16V,GP,TP,5x11,5		RP106	2007-000774	R-CHIP:33KOHM,5%,1/10W,DA,TP,2012	
CP136	2203-000260	C-CERAMIC,CHIP:10nF,10%,50V,X7R,TP,2012,		RP107	2007-000409	R-CHIP:15KOHM,5%,1/10W,DA,TP,2012	
CP137	2203-000938	C-CERAMIC,CHIP:470pF,5%,50V,NPO,TP,2012,		RP108	2007-000493	R-CHIP:2.2KOHM,5%,1/10W,DA,TP,2012	
CP139	2203-000239	C-CERAMIC,CHIP:100pF,5%,50V,NPO,TP,2012,		RP109	2007-000830	R-CHIP:39KOHM,5%,1/10W,DA,TP,2012	
CP140	2203-000239	C-CERAMIC,CHIP:100pF,5%,50V,NPO,TP,2012,		RP110	2007-000300	R-CHIP:10KOHM,5%,1/10W,DA,TP,2012	
				RP111	2007-000872	R-CHIP:4.7KOHM,5%,1/10W,DA,TP,2012	
				RP112	2007-000931	R-CHIP:470OHM,5%,1/10W,DA,TP,2012	

Loc. No.	Code No.	Description ; Specification	Remark	Loc. No.	Code No.	Description ; Specification	Remark
RP113	2007-000774	R-CHIP:33KOHM,5%,1/10W,DA,TP,2012		C805	2401-002262	C-AL:10uF,20%,160V,WT,TP,10x20,5	
RP114	2007-000290	R-CHIP:100OHM,5%,1/10W,DA,TP,2012		C806	2201-000281	C-CERAMIC,DISC:1nF,79.8,50V,Y5V,TP,4x3.5	
RP115	2007-000290	R-CHIP:100OHM,5%,1/10W,DA,TP,2012		C807	2401-002274	C-AL:220uF,20%,35V,WT,TP,10x12.5,5	
RP116	2007-000493	R-CHIP:2.2KOHM,5%,1/10W,DA,TP,2012		C808	2306-000318	C-FILM,MPPF:220nF,20%,275V,TP,-.22.5mm	
RP117	2007-000241	R-CHIP:1.5KOHM,5%,1/10W,DA,TP,2012		C809	2306-000318	C-FILM,MPPF:220nF,20%,275V,TP,-.22.5mm	
RP118	2001-000117	R-CARBON(S):68ohm,5%,1/2W,AA,TP,2.4x6.4mm		C811	2201-000332	C-CERAMIC,DISC:2.2nF,20%,250VAC,Y5U,TP,1	
RP119	2007-000282	R-CHIP:100KOHM,5%,1/10W,DA,TP,2012		C812	2201-000332	C-CERAMIC,DISC:2.2nF,20%,250VAC,Y5U,TP,1	
RP120	2007-000241	R-CHIP:1.5KOHM,5%,1/10W,DA,TP,2012		C813	2401-002223	C-AL:220uF,20%,450V,GPST,30x40,10	
RP121	2007-000258	R-CHIP:1.6KOHM,5%,1/10W,DA,TP,2012		C814	2401-002274	C-AL:220uF,20%,35V,WT,TP,10x12.5,5	
RP122	2007-000300	R-CHIP:10KOHM,5%,1/10W,DA,TP,2012		C815	2306-000323	C-FILM,MPPF:2.2nF,5%,1.6KV,TP,28.5x15.5x	
RP123	2007-000941	R-CHIP:47KOHM,5%,1/10W,DA,TP,2012		C816	2401-003065	C-AL:470uF,20%,50V,LZ,TP,13x25mm,5m	
RP124	2007-000941	R-CHIP:47KOHM,5%,1/10W,DA,TP,2012		C817	2401-000045	C-AL:10uF,20%,160V,GP,TP,10x16,5	
RP125	2007-000401	R-CHIP:150OHM,5%,1/10W,DA,TP,2012		C818	2201-000281	C-CERAMIC,DISC:1nF,79.8,50V,Y5V,TP,4x3.5	
RP126	2103-000665	VR-SEMI:20Kohm,25%,1/5W,SIDE		C819	2201-000987	C-CERAMIC,DISC:2.2nF,20%,400V,Y5U,TP,15x	
RP127	2007-000822	R-CHIP:390OHM,5%,1/10W,DA,TP,2012		C824	2201-000467	C-CERAMIC,DISC:330pF,10%,2KV,Y5P,TP,8x6,	
RP128	2007-000941	R-CHIP:47KOHM,5%,1/10W,DA,TP,2012		C851	2201-000991	C-CERAMIC,DISC:560pF,10%,2KV,Y5P,TP,13x7	
RP130	2007-000872	R-CHIP:4.7KOHM,5%,1/10W,DA,TP,2012		C852	2401-002251	C-AL:470uF,20%,200V,GPBK,25x40mm,1	
RP131	2007-000586	R-CHIP:22KOHM,5%,1/10W,DA,TP,2012		C853	2401-001482	C-AL:47uF,20%,160V,GP,TP,13x25,5	
RP132	2007-000586	R-CHIP:22KOHM,5%,1/10W,DA,TP,2012		C854	2401-003024	C-AL:220uF,20%,200V,WT,TP,22x35,10	
RP133	2007-000872	R-CHIP:4.7KOHM,5%,1/10W,DA,TP,2012		C855	2201-000132	C-CERAMIC,DISC:100pF,10%,500V,Y5P,TP,6x4	
RP134	2007-000872	R-CHIP:4.7KOHM,5%,1/10W,DA,TP,2012		C856	2401-002215	C-AL:220uF,20%,25V,WT,TP,13x25,5	
RP135	2007-000468	R-CHIP:1KOHM,5%,1/10W,DA,TP,2012		C857	2201-000132	C-CERAMIC,DISC:100pF,10%,500V,Y5P,TP,6x4	
RP136	2007-000872	R-CHIP:4.7KOHM,5%,1/10W,DA,TP,2012		C858	2201-000132	C-CERAMIC,DISC:100pF,10%,500V,Y5P,TP,6x4	
RP137	2007-001039	R-CHIP:56KOHM,5%,1/10W,DA,TP,2012		C859	2401-001068	C-AL:3300uF,20%,50V,GPBK,22x40,10	
RP138	2007-000586	R-CHIP:22KOHM,5%,1/10W,DA,TP,2012		C860	2401-001998	C-AL:1000uF,20%,25V,GP,TP,10x20,5mm	
RP139	2007-000586	R-CHIP:22KOHM,5%,1/10W,DA,TP,2012		C861	2401-002216	C-AL:220uF,20%,35V,GP,TP,16x25,7.5	
RP140	2007-000029	R-CHIP:0OHM,5%,1/10W,DA,TP,2012		C862	2401-000133	C-AL:1000uF,20%,16V,GP,TP,10x20,5	
RP201	2007-001039	R-CHIP:56KOHM,5%,1/10W,DA,TP,2012		C863	2401-001998	C-AL:1000uF,20%,25V,GP,TP,10x20,5mm	
RP202	2007-000401	R-CHIP:150OHM,5%,1/10W,DA,TP,2012		C864	2305-000411	C-FILM,MPEF:470nF,5%,50V,TP,7.3x4.8x5.5mm	
RP203	2007-000703	R-CHIP:3.6KOHM,5%,1/10W,DA,TP,2012		C865	2401-001115	C-AL:330uF,20%,25V,GP,TP,10x12.5,5	
RP204	2007-000593	R-CHIP:22OHM,5%,1/10W,DA,TP,2012		C866	2301-000356	C-FILM,PEF:47nF,5%,50V,TP,7.5x4.0x6.5mm	
RP205	2007-000477	R-CHIP:1MOHM,5%,1/10W,DA,TP,2012		C867	2201-000132	C-CERAMIC,DISC:100pF,10%,500V,Y5P,TP,6x4	
RP206	2007-000931	R-CHIP:470OHM,5%,1/10W,DA,TP,2012		C868	2401-000737	C-AL:220uF,20%,50V,GP,TP,18x35.5,7.5	
RP207	2007-001009	R-CHIP:51KOHM,5%,1/10W,DA,TP,2012		C869	2401-000192	C-AL:1000uF,20%,50V,GP,TP,16x25,7.5	
RP208	2007-000774	R-CHIP:33KOHM,5%,1/10W,DA,TP,2012		C870	2401-000192	C-AL:1000uF,20%,50V,GP,TP,16x25,7.5	
RP209	2007-000401	R-CHIP:150OHM,5%,1/10W,DA,TP,2012		C871	2201-000292	C-CERAMIC,DISC:1nF,10%,50V,Y5P,TP,5x3,5	
RP210	2007-000221	R-CHIP:1.2KOHM,5%,1/10W,DA,TP,2012		C872	2401-000737	C-AL:220uF,20%,50V,GP,TP,18x35.5,7.5	
RP211	2007-001001	R-CHIP:510OHM,5%,1/10W,DA,TP,2012		C873	2401-000192	C-AL:1000uF,20%,50V,GP,TP,16x25,7.5	
RP212	2007-000931	R-CHIP:470OHM,5%,1/10W,DA,TP,2012		C874	2401-000192	C-AL:1000uF,20%,50V,GP,TP,16x25,7.5	
RP213	2007-000872	R-CHIP:4.7KOHM,5%,1/10W,DA,TP,2012		C875	2201-000292	C-CERAMIC,DISC:1nF,10%,50V,Y5P,TP,5x3,5	
RP215	2007-000872	R-CHIP:4.7KOHM,5%,1/10W,DA,TP,2012		C876	2201-000132	C-CERAMIC,DISC:100pF,10%,500V,Y5P,TP,6x4	
RP216	2007-000872	R-CHIP:4.7KOHM,5%,1/10W,DA,TP,2012		C877	2201-000132	C-CERAMIC,DISC:100pF,10%,500V,Y5P,TP,6x4	
RP217	2007-000409	R-CHIP:15KOHM,5%,1/10W,DA,TP,2012		C878	2401-000737	C-AL:220uF,20%,50V,GP,TP,18x35.5,7.5	
RP301	2007-000290	R-CHIP:100OHM,5%,1/10W,DA,TP,2012		C879	2401-001429	C-AL:470uF,20%,50V,GP,TP,13x20,5	
RP303	2007-000468	R-CHIP:1KOHM,5%,1/10W,DA,TP,2012		C880	2305-000289	C-FILM,MPEF:220nF,5%,63V,TP,-.5mm	
RP304	2007-000290	R-CHIP:100OHM,5%,1/10W,DA,TP,2012		C881	2201-000132	C-CERAMIC,DISC:100pF,10%,500V,Y5P,TP,6x4	
RP307	2007-000642	R-CHIP:270OHM,5%,1/10W,DA,TP,2012		C882	2305-000411	C-FILM,MPEF:470nF,5%,50V,TP,7.3x4.8x5.5mm	
RP308	2007-000401	R-CHIP:150OHM,5%,1/10W,DA,TP,2012		C883	2301-000192	C-FILM,PEF:1nF,5%,50V,TP,5.3x10mm,5mm	
RP309	2007-000931	R-CHIP:470OHM,5%,1/10W,DA,TP,2012		C884	2401-000737	C-AL:220uF,20%,50V,GP,TP,18x35.5,7.5	
RP310	2007-000931	R-CHIP:470OHM,5%,1/10W,DA,TP,2012		C885	2401-001429	C-AL:470uF,20%,50V,GP,TP,13x20,5	
RP311	2007-000931	R-CHIP:470OHM,5%,1/10W,DA,TP,2012		C887	2401-000962	C-AL:22uF,20%,50V,GP,TP,5x11,5	
RP312	2007-000300	R-CHIP:10KOHM,5%,1/10W,DA,TP,2012		C888	2306-000122	C-FILM,MPPF:100nF,5%,50V,TP,7.3x4.0x5.0m	
RP313	2007-000710	R-CHIP:3.9KOHM,5%,1/10W,DA,TP,2012		C889	2201-000132	C-CERAMIC,DISC:100pF,10%,500V,Y5P,TP,6x4	
RP314	2007-000710	R-CHIP:3.9KOHM,5%,1/10W,DA,TP,2012		C894	2201-000991	C-CERAMIC,DISC:560pF,10%,2KV,Y5P,TP,13x7	
RP315	2007-000710	R-CHIP:3.9KOHM,5%,1/10W,DA,TP,2012		C895	2401-001397	C-AL:470uF,20%,25V,GP,TP,10x16,5	
TP101	AA26-10004E	TRANS-IF:-,7MG,VIF:-,7mm,8pF,116.7MHz,S		CN801	3711-000628	CONNECTOR-HEADER:-,11P,1R,2.5mm,STRAIGHT	
XP101	2801-000235	CRYSTAL-UNIT:3.579545MHz,40ppm,28-AAAM,S		CN802	3711-002644	CONNECTOR-HEADER:BOX,5P,1R,2.5mm,STRAIGHT	
XP102	2801-000276	CRYSTAL-UNIT:4.433619MHz,40ppm,28-AAAM,20		CN802	AA39-20020H	LEAD-CONNECTOR,ASSY:-,67096-005,S,5P,140	
XP301	2802-000121	RESONATOR-CERAMIC:20.48MHz,0.5%,TP,10.OX		CN803	AA39-20165A	LEAD CONNECTOR,ASSY:-,YFH806-06,S,6P,130	
ZP102	2904-000253	FILTER-SAW AV:33.9MHz,DIP10P,ST,17.1DB,P		CN804	AA39-20164A	LEAD CONNECTOR,ASSY:-,YFH806-05,S,5P,500	
ASSY-POWER,CORD				D801	0402-000546	DIODE-RECTIFIER:TVR10G,400V,1.0A,DO-41,T	
ASSY-PCB,POWER				D802	0402-000546	DIODE-RECTIFIER:TVR10G,400V,1.0A,DO-41,T	
*	AA96-20074A	ASSY-POWER,CORD:-,CP2/NO(4.8),H/C250,VM0		D803	0402-000546	DIODE-RECTIFIER:TVR10G,400V,1.0A,DO-41,T	
P-CORD	AA39-10007B	POWER-CORD:-,VM-0377,2X42/0.15,2.4MT,3P		D804	0402-000546	DIODE-RECTIFIER:TVR10G,400V,1.0A,DO-41,T	
H-CORD	AA61-20045A	HOLDER-CORD:-,PPV0,BLK,UL/CSA		D805	0402-000546	DIODE-RECTIFIER:TVR10G,400V,1.0A,DO-41,T	
ASSY-PCB,POWER				D806	0402-000493	DIODE-RECTIFIER:1R5GU41,400V,1.5A,DO-15L	
*	AA95-10008P	ASSY-PCB,POWER:SPM5288PF/SVIX,SPT51A,52		D807	0402-000213	DIODE-RECTIFIER:ERB12-06,600V,1.0A,DO-41	
C801	2401-003031	C-AL:470uF,20%,450V,GPBK,35x45mm,1		D808	0402-000549	DIODE-BRIDGE:RBV606,600V,6A,-.BK	H/SINK
C802	2401-003031	C-AL:470uF,20%,450V,GPBK,35x45mm,1		D809	1405-000152	VARISTOR:560V,2500A,14x8.5mm,TP	
C803	2306-000323	C-FILM,MPPF:2.2nF,5%,1.6KV,TP,28.5x15.5x		D810	1405-000152	VARISTOR:560V,2500A,14x8.5mm,TP	
C804	2401-003065	C-AL:470uF,20%,50V,LZ,TP,13x25mm,5m		D811	0402-000213	DIODE-RECTIFIER:ERB12-06,600V,1.0A,DO-41	
				D812	0402-000546	DIODE-RECTIFIER:TVR10G,400V,1.0A,DO-41,T	
				D813	0402-000546	DIODE-RECTIFIER:TVR10G,400V,1.0A,DO-41,T	
				D814	0402-000546	DIODE-RECTIFIER:TVR10G,400V,1.0A,DO-41,T	
				D815	0402-000546	DIODE-RECTIFIER:TVR10G,400V,1.0A,DO-41,T	
				D817	0402-000493	DIODE-RECTIFIER:1R5GU41,400V,1.5A,DO-15L	
				D818	0401-000005	DIODE-SWITCHING:1N4148,75V,300mA,DO-35,T	

Electric Parts List

Loc. No.	Code No.	Description ; Specification	Remark	Loc. No.	Code No.	Description ; Specification	Remark
D819	0401-000005	DIODE-SWITCHING:1N4148,75V,300mA,DO-35,T		L865	3301-000287	CORE-FERRITE BEAD:AA,3.5x1x6mm,1500,2400	
D851	0402-000231	DIODE-RECTIFIER:FMG-G26S,600V,4A,TO-220F	H/SINK	L866	AA27-10001C	COIL-CHOKE:-,100uH,K,-,5.0A,ST,700UH-K(R	
D852	0402-000493	DIODE-RECTIFIER:1R5GU41,400V,1.5A,DO-15L		L867	2701-000115	INDUCTOR-AXIAL:1.0uH,10%,2.8x7mm	
D853	0402-000544	DIODE-RECTIFIER:RU4Y,100V,2A,-		L870	3301-000287	CORE-FERRITE BEAD:AA,3.5x1x6mm,1500,2400	
D854	0402-000233	DIODE-RECTIFIER:FML-G12S,200V,5A,-,-	H/SINK	NT801	1404-001045	THERMISTOR-NTC:4.7OHM,15%,2900K,35.0MW,T	
D855	0402-000132	DIODE-RECTIFIER:1N4004,400V,1A,DO-41,TP		NT802	1404-001045	THERMISTOR-NTC:4.7OHM,15%,2900K,35.0MW,T	
D856	0402-000233	DIODE-RECTIFIER:FML-G12S,200V,5A,-,-	H/SINK	PC801	0604-001038	PHOTO-COUPLER:TR,130-260%,200mW,DIP-4,ST	
D857	0402-000546	DIODE-RECTIFIER:TVR10G,400V,1.0A,DO-41,T		PC802	0604-001038	PHOTO-COUPLER:TR,130-260%,200mW,DIP-4,ST	
D858	0402-000132	DIODE-RECTIFIER:1N4004,400V,1A,DO-41,TP		Q801	0503-000153	TR-DARLINGTON:TIP102,NPN,2W,TO-220,TP,10	
D859	0402-000233	DIODE-RECTIFIER:FML-G12S,200V,5A,-,-	H/SINK	Q802	0503-000153	TR-DARLINGTON:TIP102,NPN,2W,TO-220,TP,10	
D860	0402-000233	DIODE-RECTIFIER:FML-G12S,200V,5A,-,-	H/SINK	Q851	0502-000244	TR-POWER:KSA940,PNP,1.5W,TO-220,-,40-14	
D861	0402-000233	DIODE-RECTIFIER:FML-G12S,200V,5A,-,-	H/SINK	Q852	0501-000366	TR-SMALL SIGNAL:KSC2330-Y,NPN,1W,TO-92L	
D862	0402-000233	DIODE-RECTIFIER:FML-G12S,200V,5A,-,-	H/SINK	Q853	0501-000366	TR-SMALL SIGNAL:KSC2330-Y,NPN,1W,TO-92L	
D863	0402-000132	DIODE-RECTIFIER:1N4004,400V,1A,DO-41,TP		Q854	0501-000369	TR-SMALL SIGNAL:KSC2331-Y,NPN,1W,TO-92L	
D865	0402-000132	DIODE-RECTIFIER:1N4004,400V,1A,DO-41,TP		Q855	0501-000366	TR-SMALL SIGNAL:KSC2330-Y,NPN,1W,TO-92L	
DZ801	0403-000299	DIODE-ZENER:MTZ7.5C,7.5V,7.29-7.67V,500m		R801	2006-000296	R-CEMENT:11ohm,5%,5W,CH,BK,9.5x27x9.5mm	
DZ802	0403-000299	DIODE-ZENER:MTZ7.5C,7.5V,7.29-7.67V,500m		R801A	2001-001078	R-CARBON(S):15Kohm,5%,1/2W,AA,TP,2.4x6.4	
DZ803	0403-000656	DIODE-ZENER:MTZ15C,15V,14.35-15.09V,500m		R802	2001-001088	R-CARBON(S):1Kohm,5%,1/2W,AA,TP,2.4x6.4	
DZ804	0403-000662	DIODE-ZENER:MTZ3.0B,3.0V,3.01-3.22V,500m		R802A	2001-001066	R-CARBON(S):110ohm,5%,1/2W,AA,TP,2.4x6.4	
DZ805	0403-000656	DIODE-ZENER:MTZ15C,15V,14.35-15.09V,500m		R803	2001-001117	R-CARBON(S):2Kohm,5%,1/2W,AA,TP,2.4x6.4	
DZ806	0403-000662	DIODE-ZENER:MTZ3.0B,3.0V,3.01-3.22V,500m		R804	2001-001117	R-CARBON(S):2Kohm,5%,1/2W,AA,TP,2.4x6.4	
DZ851	0403-000656	DIODE-ZENER:MTZ15C,15V,14.35-15.09V,500m		R805	2001-001055	R-CARBON(S):1.8Kohm,5%,1/2W,AA,TP,2.4x6.4	
DZ852	0403-000656	DIODE-ZENER:MTZ15C,15V,14.35-15.09V,500m		R805A	2001-001143	R-CARBON(S):4.3Kohm,5%,1/2W,AA,TP,2.4x6.4	
DZ853	0403-000656	DIODE-ZENER:MTZ15C,15V,14.35-15.09V,500m		R806	2009-000026	R-METAL PLATE:0.15ohm,10%,5W,CL,TP,5x14x	
DZ857	1203-000451	IC-VOLTAGE REGULATOR:33,TO-92,3P,-,PLAST		R807	2001-001117	R-CARBON(S):2Kohm,5%,1/2W,AA,TP,2.4x6.4	
F801	3601-000461	FUSE-FERRULE:250V,6.3A,TIME-LAG,CERAMIC,		R808	2003-000462	R-METAL OXIDE(S):10Kohm,5%,2W,AA,TP,4x12	
F801A	3602-000114	FUSE-HOLDER:-,30mohm		R809	2003-000462	R-METAL OXIDE(S):10Kohm,5%,2W,AA,TP,4x12	
F801B	3602-000114	FUSE-HOLDER:-,30mohm		R810	2002-001010	R-COMPOSITION:1.8Mohm,10%,1/2W,AA,TP,3.7	
F851	3601-000399	FUSE-FERRULE:250V,1.6A,TL,GLASS,5.2x20mm		R812	2003-000462	R-METAL OXIDE(S):10Kohm,5%,2W,AA,TP,4x12	
F851A	3602-000114	FUSE-HOLDER:-,30mohm		R813	2003-000462	R-METAL OXIDE(S):10Kohm,5%,2W,AA,TP,4x12	
F851B	3602-000114	FUSE-HOLDER:-,30mohm		R814	2006-000296	R-CEMENT:11ohm,5%,5W,CH,BK,9.5x27x9.5mm	
F852	3601-000281	FUSE-FERRULE:250V,4A,TL,GLASS,5.2x20mm		R814A	2001-001078	R-CARBON(S):15Kohm,5%,1/2W,AA,TP,2.4x6.4	
F852A	3602-000114	FUSE-HOLDER:-,30mohm		R815	2001-001117	R-CARBON(S):2Kohm,5%,1/2W,AA,TP,2.4x6.4	
F852B	3602-000114	FUSE-HOLDER:-,30mohm		R816	2001-001117	R-CARBON(S):2Kohm,5%,1/2W,AA,TP,2.4x6.4	
F853	3601-000281	FUSE-FERRULE:250V,4A,TL,GLASS,5.2x20mm		R817	2001-001055	R-CARBON(S):1.8Kohm,5%,1/2W,AA,TP,2.4x6.4	
F853A	3602-000114	FUSE-HOLDER:-,30mohm		R817A	2001-001143	R-CARBON(S):4.3Kohm,5%,1/2W,AA,TP,2.4x6.4	
F853B	3602-000114	FUSE-HOLDER:-,30mohm		R818	2001-001088	R-CARBON(S):1Kohm,5%,1/2W,AA,TP,2.4x6.4	
F854	3601-000281	FUSE-FERRULE:250V,4A,TL,GLASS,5.2x20mm		R818A	2001-001066	R-CARBON(S):110ohm,5%,1/2W,AA,TP,2.4x6.4	
F854A	3602-000114	FUSE-HOLDER:-,30mohm		R819	2009-001011	R-METAL PLATE:0.18ohm,10%,5W,CL,TP,5x14x	
F854B	3602-000114	FUSE-HOLDER:-,30mohm		R820	2001-001117	R-CARBON(S):2Kohm,5%,1/2W,AA,TP,2.4x6.4	
F855	3601-000281	FUSE-FERRULE:250V,4A,TL,GLASS,5.2x20mm		R820A	2001-000107	R-CARBON(S):150Kohm,5%,1/2W,AA,TP,2.4x6.4	
F855A	3602-000114	FUSE-HOLDER:-,30mohm		R821	2002-001012	R-COMPOSITION:8.2Mohm,10%,1/2W,AA,TP,3.7	
F855B	3602-000114	FUSE-HOLDER:-,30mohm		R825	2003-000462	R-METAL OXIDE(S):10Kohm,5%,2W,AA,TP,4x12	
F856	3601-000281	FUSE-FERRULE:250V,4A,TL,GLASS,5.2x20mm		R826	2003-000462	R-METAL OXIDE(S):10Kohm,5%,2W,AA,TP,4x12	
F856A	3602-000114	FUSE-HOLDER:-,30mohm		R827	2001-001096	R-CARBON(S):2.2ohm,5%,1/2W,AA,TP,2.4x6.4	
F856B	3602-000114	FUSE-HOLDER:-,30mohm		R830	2003-000706	R-METAL OXIDE(S):47Kohm,5%,2W,AA,TP,4.3x	
F857	3601-000281	FUSE-FERRULE:250V,4A,TL,GLASS,5.2x20mm		R830A	2003-000706	R-METAL OXIDE(S):47Kohm,5%,2W,AA,TP,4.3x	
F857A	3602-000114	FUSE-HOLDER:-,30mohm		R831	2001-000002	R-CARBON(S):200KOHM,5%,1/2W,AA,TP,-	
F857B	3602-000114	FUSE-HOLDER:-,30mohm		R832	2001-000002	R-CARBON(S):200KOHM,5%,1/2W,AA,TP,-	
HC801	AA13-20002K	IC-HYBRID:-,STR-S6709 LF953,SIP,9P,SMPS	H/SINK	R851	2003-000584	R-METAL OXIDE(S):22Kohm,5%,2W,AA,TP,4x12	
HC802	AA13-20002K	IC-HYBRID:-,STR-S6709 LF953,SIP,9P,SMPS	H/SINK	R852	2003-000777	R-METAL OXIDE(S):68ohm,5%,2W,AA,TP,4x12m	
HC851	1203-000580	IC-POWER PRESCALER:130,TO-220,3P,-,PLAST		R853	2001-001152	R-CARBON(S):47Kohm,5%,1/2W,AA,TP,2.4x6.4	
HC852	1203-000187	IC-POS. ADJUST REG.:431,TO-92,3P,-,PLAST		R854	2001-001135	R-CARBON(S):36Kohm,5%,1/2W,AA,TP,2.4x6.4	
L801	3301-000287	CORE-FERRITE BEAD:AA,3.5x1x6mm,1500,2400		R855	2001-001088	R-CARBON(S):1Kohm,5%,1/2W,AA,TP,2.4x6.4	
L801A	3301-000287	CORE-FERRITE BEAD:AA,3.5x1x6mm,1500,2400		R856	2001-001088	R-CARBON(S):1Kohm,5%,1/2W,AA,TP,2.4x6.4	
L802	2902-001001	FILTER-LINE:2mH,+3TURNS,0.233ohm		R857	2001-001117	R-CARBON(S):2Kohm,5%,1/2W,AA,TP,2.4x6.4	
L803	2902-001001	FILTER-LINE:2mH,+3TURNS,0.233ohm		R858	2001-001144	R-CARBON(S):4.7Kohm,5%,1/2W,AA,TP,2.4x6.4	
L804	2902-001001	FILTER-LINE:2mH,+3TURNS,0.233ohm		R859	2001-000117	R-CARBON(S):68ohm,5%,1/2W,AA,TP,2.4x6.4	
L805	3301-000287	CORE-FERRITE BEAD:AA,3.5x1x6mm,1500,2400		R860	2001-001144	R-CARBON(S):4.7Kohm,5%,1/2W,AA,TP,2.4x6.4	
L806	3301-000287	CORE-FERRITE BEAD:AA,3.5x1x6mm,1500,2400		R862	2001-000052	R-CARBON(S):3.3Kohm,5%,1/2W,AA,TP,2.4x6.4	
L807	3301-000287	CORE-FERRITE BEAD:AA,3.5x1x6mm,1500,2400		R863	2001-000052	R-CARBON(S):3.3Kohm,5%,1/2W,AA,TP,2.4x6.4	
L848	2902-001001	FILTER-LINE:2mH,+3TURNS,0.233ohm		R866	2001-001088	R-CARBON(S):1Kohm,5%,1/2W,AA,TP,2.4x6.4	
L849	2902-001001	FILTER-LINE:2mH,+3TURNS,0.233ohm		R867	2001-000109	R-CARBON(S):470ohm,5%,1/2W,AA,TP,2.4x6.4	
L851	3301-000287	CORE-FERRITE BEAD:AA,3.5x1x6mm,1500,2400		R870	2001-001103	R-CARBON(S):20Kohm,5%,1/2W,AA,TP,2.4x6.4	
L852	3301-000287	CORE-FERRITE BEAD:AA,3.5x1x6mm,1500,2400		R871	2001-001078	R-CARBON(S):15Kohm,5%,1/2W,AA,TP,2.4x6.4	
L853	AA27-10002L	COIL-CHOKE:-,24UH,K,-,2A,-,24UH-K,10X10M		R872	2004-001983	R-METAL:2.49Kohm,1%,1/2W,AA,TP,2.4x6.4	
L854	3301-000287	CORE-FERRITE BEAD:AA,3.5x1x6mm,1500,2400		R873	2008-000270	R-FUSIBLE:3.3ohm,5%,1/2W,AA,TP,4.7x11mm	
L855	3301-000287	CORE-FERRITE BEAD:AA,3.5x1x6mm,1500,2400		R890	2001-000052	R-CARBON(S):3.3Kohm,5%,1/2W,AA,TP,2.4x6.4	
L856	3301-000287	CORE-FERRITE BEAD:AA,3.5x1x6mm,1500,2400		R891	2001-000052	R-CARBON(S):3.3Kohm,5%,1/2W,AA,TP,2.4x6.4	
L857	AA27-10001C	COIL-CHOKE:-,100uH,K,-,5.0A,ST,700UH-K(R		R896	2001-001126	R-CARBON(S):300ohm,5%,1/2W,AA,TP,2.4x6.4	
L858	AA27-10002L	COIL-CHOKE:-,24UH,K,-,2A,-,24UH-K,10X10M		RL801	3501-001040	RELAY-POWER:12VDC,500mW,10A,1FormA,15mS,	
L859	3301-000287	CORE-FERRITE BEAD:AA,3.5x1x6mm,1500,2400		T801	AA26-20004H	TRANS-SWITCHING:-,80-280V,-,EER534521,45	
L860	AA27-10001C	COIL-CHOKE:-,100uH,K,-,5.0A,ST,700UH-K(R		T802	AA26-20004G	TRANS-SWITCHING:-,90-260V,KS,EER534521,4	
L861	3301-000287	CORE-FERRITE BEAD:AA,3.5x1x6mm,1500,2400					
L862	AA27-10001C	COIL-CHOKE:-,100uH,K,-,5.0A,ST,700UH-K(R					
L863	3301-000287	CORE-FERRITE BEAD:AA,3.5x1x6mm,1500,2400					
L864	AA27-10001C	COIL-CHOKE:-,100uH,K,-,5.0A,ST,700UH-K(R					

Loc. No.	Code No.	Description ; Specification	Remark	Loc. No.	Code No.	Description ; Specification	Remark
ASSY-CABINET,MASK							
*	AA91-10132C	ASSY-CABINET,MASK;- ,HB,BLK,WP-1000,SVP-4		CASTER	AA60-10051A	SCREW-WOOD;PH,+ ,M4,L16,ZPC(BLK),SWRCH18A	
MASK	AA64-30512B	CABINET-MASK;- ,SVP431J,WP1000,HIPS,HB,BL		SPK+CM	AA60-10051A	SCREW-WOOD;PH,+ ,M4,L16,ZPC(BLK),SWRCH18A	
CABMAS	AA61-40025A	BOSS-CABINET;S4388,HIPS,HB,NTR,-,-		BB+CM	AA60-10051B	SCREW-WOOD;RH,+ ,M3.5,L12,ZPC(YEL),SWRCH1	
CABMAS	AA61-40026A	BOSS-CABINET;S4388.5288,HIPS,HB,NTR,-,-		BM+CM	AA60-10051B	SCREW-WOOD;RH,+ ,M3.5,L12,ZPC(YEL),SWRCH1	
BADGE	AA64-70105A	BADGE-BRAND;AL,SS FLAT,SILVER,L70,-,-,-		BBW+CM	AA60-10051B	SCREW-WOOD;RH,+ ,M3.5,L12,ZPC(YEL),SWRCH1	
				SCREW	AA60-10050X	SCREW-WOOD;FH,+ ,M3.5,L32,ZPC(YEL),SWRCH1	
				SPACER	AA63-60126C	SPACER-FELT;FELT,T2,BLK,938X15,PRJT43,-	
ASSY-HOLDER,CONTROL				ASSY-CABINET			
*	AA91-60049E	ASSY-HOLDER,CONTROL;-,-,-,-,WP1000 SPM43		*	AA90-70061G	ASSY-CABINET;S4388,SPM4388PF/SGEX	
DY01	0401-000005	DIODE-SWITCHING;1N4148,75V,300mA,DO-35,T		HV+BCM	AA60-10011A	SCREW-TAPTITE;HH,+ ,PC,M4,L12,ZPC(BLK),SW	
DY02	0401-000005	DIODE-SWITCHING;1N4148,75V,300mA,DO-35,T		CFB+CM	AA60-10011A	SCREW-TAPTITE;HH,+ ,PC,M4,L12,ZPC(BLK),SW	
DY03	0401-000005	DIODE-SWITCHING;1N4148,75V,300mA,DO-35,T		CBT+CM	AA60-10011A	SCREW-TAPTITE;HH,+ ,PC,M4,L12,ZPC(BLK),SW	
DY04	0401-000005	DIODE-SWITCHING;1N4148,75V,300mA,DO-35,T		CBB+CM	AA60-10011A	SCREW-TAPTITE;HH,+ ,PC,M4,L12,ZPC(BLK),SW	
ZDY01	0403-000654	DIODE-ZENER;MTZ12B,12V,11.44-12.03V,500m		BS+CFT	AA60-10011A	SCREW-TAPTITE;HH,+ ,PC,M4,L12,ZPC(BLK),SW	
ZDY02	0403-000654	DIODE-ZENER;MTZ12B,12V,11.44-12.03V,500m		AC+BCM	AA60-10011A	SCREW-TAPTITE;HH,+ ,PC,M4,L12,ZPC(BLK),SW	
ZDY03	0403-000654	DIODE-ZENER;MTZ12B,12V,11.44-12.03V,500m		FOCUS+	AA60-10050W	SCREW-	
ZDY04	0403-000654	DIODE-ZENER;MTZ12B,12V,11.44-12.03V,500m		WOOD;W/H,+ ,M4,20,ZPC(BLK),SWRCH18A			
SWY01	3404-000178	SWITCH-TACT;12V,50mA,90-150gf,6x6mm,SPST		CFT+CM	AA60-10050W	SCREW-	
SWY02	3404-000178	SWITCH-TACT;12V,50mA,90-150gf,6x6mm,SPST		WOOD;W/H,+ ,M4,20,ZPC(BLK),SWRCH18A			
SWY03	3404-000178	SWITCH-TACT;12V,50mA,90-150gf,6x6mm,SPST		CBT+CM	AA60-10050W	SCREW-	
SWY04	3404-000178	SWITCH-TACT;12V,50mA,90-150gf,6x6mm,SPST		WOOD;W/H,+ ,M4,20,ZPC(BLK),SWRCH18A			
SWY05	3404-000178	SWITCH-TACT;12V,50mA,90-150gf,6x6mm,SPST		BRKT	AA61-10361A	BRACKET-MIRROR;- ,S5288,SECC-1,T1.0,-,-,-	
SWY06	3404-000178	SWITCH-TACT;12V,50mA,90-150gf,6x6mm,SPST		BRKT	AA61-10366A	BRACKET-SCREEN,SIDE;- ,S4388,SECC-1,T1.0,-	
SWY07	3404-000178	SWITCH-TACT;12V,50mA,90-150gf,6x6mm,SPST		BRKT	AA61-10367A	BRACKET-SCREEN,BOT;- ,S4388,SECC-1,T1.0,-	
CN902	AA39-20045A	LEAD-CONNECTOR,ASSY;- ,35022-0011,S,11P,3		SPACER	AA63-60052C	SPACER-MIRROR;PVC,- ,BLK,HB SOFT,S5288,-	
SCREW	AA60-10008A	SCREW-TAPPING;TH,+ ,M3,L10,ZPC(YEL),SWRCH		SPACER	AA63-60052D	SPACER-MIRROR;PVC,- ,BLK,HB SOFT,S5288,-	
BRKT	AA61-10080A	BRACKET-HOLDER;- ,S4388,STS304L,T0.5,-,-,-		BACK-T	AA64-30433A	CABINET-BACK,T;- ,S4388,- ,HIPS,HB,BLK,-,-	
HOLCON	AA61-20102A	HOLDER-CONTROL;-,- ,ABS,HB,BLK,-		BACK-B	AA64-30434A	CABINET-BACK,BOT;- ,PRJT,- ,HIPS,VO,BLK,-,-	
HOLKEY	AA61-20114A	HOLDER-KEY;-,- ,ABS,HB,BLK,-		C-CORD	AA65-30008A	CLAMP-CORD;PE,HB,BLK,-,-,-	
L/DOOR	AA61-30001A	LATCH-DOOR;-,-,- ,KIFUCO LA701,-		MIRROR	AA67-20025A	MIRROR-BACK SURFACE;43,GLASS,3.0,- ,BSM,	
SPRING	AA61-60048A	SPRING-CS;- ,SUS304,0.8,OD9.6,H6,N5,-,-,-		SCREEN	AA67-70030A	SCREEN-TINT;- ,43 INCH,V,LENTI,PVMM,A,- ,T3,	
DAMPER	AA61-80005B	DAMPER-GEAR;-,-,- ,20G,- ,OIL,-		SPACER	AA63-60052E	SPACER-MIRROR;HARD PVC,- ,BLK,- ,SVP5288,-	
SPACER	AA63-60002V	SPACER-FELT;FELT,T0.3,BLK,60X40,-,-		BRKT	AA61-11008A	BRACKET-MIRROR,SIDE;- ,SPT431J,SECC,T1.0,-	
SPACER	AA63-60002W	SPACER-FELT;FELT,T0.5,BLK,30X10,-,-		BRKT	AA61-10380B	BRACKET-CRT,MAIN;- ,SVP-521JB,SECC,T1.6,N	
KNOCON	AA64-10214C	KNOB-CONTROL,ASSY;- ,SPM5288PF,- ,ABS,HB,B		SPACER	AA63-60119A	SPACER-COVER,BRACKET;FELT,T0.5,BLK,630X3	
DOOR-B	AA64-50082D	DOOR-BOTTOM;- ,SPM4388,WP1000,ABS,HB,BLK,		CBB+CM	AA60-10050W	SCREW-WOOD;W/H,+ ,M4,20,ZPC(BLK),SWRCH18A	
ASSY-CABINET,BOT							
*	AA91-10131H	ASSY-CABINET,BOT;- ,HIPS,VO,WP1000,SPM438		BCM+CM	AA60-10001A	SCREW-ASSY;WP,- ,M6,L20,SCM30C,- ,ZPC(YE	
BK+C/G	6002-000512	SCREW-TAPPING;RH,+ ,2,M4,L12,ZPC(BLK),SWR		BM+ACM	6003-000334	SCREW-TAPTITE;RH,+ ,2S,M3,L6,ZPC(YEL),SWR	
BRKT	AA61-10160A	BRACKET-MASK;- ,S4388,SBHG-1,T1.0,-,-,-		APAV+A	6003-001024	SCREW-TAPTITE;RWH,+ ,B,M4,L12,ZPC(YEL),SW	
SPRING	AA61-60003A	SPRING-CS;- ,SUS304,0.5,OD7.HT16,N7,-,-,-		BM+CBT	6003-001026	SCREW-TAPTITE;RH,+ ,B,M4,L15,ZPC(BLK),SWR	
INDLED	AA64-40218A	INDICATOR-LED;- ,S4388,- ,PC,-,-,-		BRKT	AA61-11007B	BRACKET-MIRROR;- ,SVP-434JA,SECC,T1.0,BLK	
KNOPOW	AA64-10360D	KNOB-POWER;- ,SPM4388PF,WP-1000,ABS,HB,BL		CFT+AH	6003-001026	SCREW-TAPTITE;RH,+ ,B,M4,L15,ZPC(BLK),SWR	
BOTTOM	AA64-31070C	CABINET-BOTTOM;- ,SPM4388,WP1000,HIPS,VO,		REMOCON			
COVER	AA63-30054A	COVER-GRILLE;-,- ,SACHUL,HIPS,VO,BLK,-,-		*	AA59-10079T	REMOCON;- ,TM50,RM130,54,GOLD,SS	
BADGE	AA64-70114A	BADGE;AL,TITANUM,-,-,- ,SPM4388PF,-		ASSY-CHASSIS,PART			
ASSY-CABINET,MID							
*	AA91-10325A	ASSY-CABINET,MID;- ,SVP-431J(4388),WOOD,-		*	AA90-30113C	ASSY-CHASSIS,PART;- ,SPM5288PF	
BRKT	AA61-10049A	BRACKET-MODULE;- ,S4388,SECC,T0.6,-,-,-		PCB+BP	AA60-10011A	SCREW-TAPTITE;HH,+ ,PC,M4,L12,ZPC(BLK),SW	
BRKT	AA61-10165A	BRACKET-BOTTOM;- ,PRJT,SECC,T1.0,NTR,-,-		TBA+HC	AA60-10011A	SCREW-TAPTITE;HH,+ ,PC,M4,L12,ZPC(BLK),SW	
BRKT	AA61-10387A	BRACKET-GRILLE;- ,SVP-462J,SECC-1,T0.5,-		HC+HC	AA60-10011A	SCREW-TAPTITE;HH,+ ,PC,M4,L12,ZPC(BLK),SW	
HOLDER	AA61-20101A	HOLDER-MASK,AR;- ,S4388,ABS,HB,BLK,-		BCM+BP	AA60-10011A	SCREW-TAPTITE;HH,+ ,PC,M4,L12,ZPC(BLK),SW	
HOLDER	AA61-20101B	HOLDER-MASK,AL;- ,S4388,ABS,HB,BLK,-		TER/B	AA63-40138A	TERMINAL-BOARD,ANT;- ,HIPS,- ,VO,BLK,SPM52	
HOLDER	AA61-20124A	HOLDER-MASK,B;- ,S4388,ABS,HB,BLK,-		IN-B	AA64-60286A	INLAY-BACK;SPM5288PF,- ,PS,T0.5,BLK,-,-	
HOLDER	AA61-20136A	HOLDER-MASK,PIN;- ,S4388,NYLON,- ,BLK,#066		HOLD/C	AA61-20142B	HOLDER-CHASSIS;- ,SVP-462J,ABS,VO,GRY,-	
RAIL	AA61-70022A	RAIL-PCB;- ,S4388,ABS,VO,NTR,-,-		H-CORD	AA61-20135B	HOLDER-CORD;-,- ,HIPS,VO,BLK,-	
SPK	3001-000148	SPEAKER;20W,8ohm,90dB,2KHz		HV	AA61-10149A	BRACKET-HV;- ,S4388,SECC,T1.0,-,-,-	
SPK1	3001-000148	SPEAKER;20W,8ohm,90dB,2KHz		HOLCHA	AA65-30112A	CLAMP-WIRE-NYLON,VO,BLK,- ,PRJT,-	
SPK	3001-000279	SPEAKER;30W,8ohm,91dB,20Hz		TB+JAC	6003-001026	SCREW-TAPTITE;RH,+ ,B,M4,L15,ZPC(BLK),SWR	
SPK1	3001-000279	SPEAKER;30W,8ohm,91dB,20Hz		PCB+HC	6003-001023	SCREW-TAPTITE;RWH,+ ,B,M3,L10,ZPC(YEL),SW	
CN604	AA39-20507A	LEAD CONNECTOR-ASSY;- ,YSH025-04,REC,4P,7		HV+BH	6003-001023	SCREW-TAPTITE;RWH,+ ,B,M3,L10,ZPC(YEL),SW	
CN603	AA39-20507B	LEAD CONNECTOR-ASSY;- ,YSH025-04,REC,4P,1		DF+FBT	6003-001023	SCREW-TAPTITE;RWH,+ ,B,M3,L10,ZPC(YEL),SW	
MIDDLE	AA64-31069A	CABINET-MIDDLE;- ,SVP-431J,- ,WOOD,-,-,-,-		ASSY-PCB,CONV MLD			
SPACER	AA63-60001X	SPACER-FELT;FELT,T0.5,BLK,330X15,-,-		*	AA95-90037A	ASSY-PCB,CONV MDL;- ,SPM5288PF,SPT51A,PAL	
BRKT	AA61-11003A	BRACKET-BACK;- ,PROJ,SECC,T1.0,-,-,-		C103	2203-000239	C-CERAMIC,CHIP;100pf,5%,50V,NPO,TP,2012,	
SPACER	AA63-60126A	SPACER-FELT;FELT,T2,BLK,1160X15,PRJT43,5		C104	2203-001680	C-CERAMIC,CHIP;68nf,20%,50V,Y5V,TP,2012,	
NUT	AA60-20050A	NUT-INSERT;M6,L8,ZPC(WHT),- ,PROJECTION		C105	2203-000239	C-CERAMIC,CHIP;100pf,5%,50V,NPO,TP,2012,	

Electric Parts List

Loc. No.	Code No.	Description ; Specification	Remark	Loc. No.	Code No.	Description ; Specification	Remark
C108	2203-001680	C-CERAMIC,CHIP:68nF,20%,50V,Y5V,TP,2012,		C187	2203-001680	C-CERAMIC,CHIP:68nF,20%,50V,Y5V,TP,2012,	
C109	2203-000239	C-CERAMIC,CHIP:100pF,5%,50V,NPO,TP,2012,		C188	2404-000125	C-TA,CHIP:10uF,20%,16V,-,TP5054,1.5mm	
C110	2404-000160	C-TA,CHIP:1uF,20%,50V,-,6032,6mm,TP		C189	2404-000125	C-TA,CHIP:10uF,20%,16V,-,TP5054,1.5mm	
C111	2203-000274	C-CERAMIC,CHIP:10pF,0.25pF,50V,NPO,TP,20		C190	2203-001680	C-CERAMIC,CHIP:68nF,20%,50V,Y5V,TP,2012,	
C112	2203-000444	C-CERAMIC,CHIP:1nF,10%,50V,X7R,TP,2012,-		C191	2305-000289	C-FILM,MPEF:220nF,5%,63V,TP,-,5mm	
C113	2203-000444	C-CERAMIC,CHIP:1nF,10%,50V,X7R,TP,2012,-		C193	2404-000123	C-TA,CHIP:10uF,20%,16V,-,TP6032,2.9mm	
C114	2203-001002	C-CERAMIC,CHIP:47pF,5%,50V,NPO,TP,2012,-		C194	2203-001680	C-CERAMIC,CHIP:68nF,20%,50V,Y5V,TP,2012,	
C115	2203-001002	C-CERAMIC,CHIP:47pF,5%,50V,NPO,TP,2012,-		C195	2404-000275	C-TA,CHIP:100uF,10%,10V,-,TP7343,7.3mm	
C116	2203-000374	C-CERAMIC,CHIP:15nF,10%,50V,X7R,TP,2012,		C196	2203-000634	C-CERAMIC,CHIP:22pF,5%,50V,NPO,TP,2012,-	
C117	2404-000275	C-TA,CHIP:100uF,10%,10V,-,TP7343,7.3mm		C197	2203-000634	C-CERAMIC,CHIP:22pF,5%,50V,NPO,TP,2012,-	
C118	2203-000444	C-CERAMIC,CHIP:1nF,10%,50V,X7R,TP,2012,-		C198	2203-000634	C-CERAMIC,CHIP:22pF,5%,50V,NPO,TP,2012,-	
C119	2203-001680	C-CERAMIC,CHIP:68nF,20%,50V,Y5V,TP,2012,		C201	2203-000192	C-CERAMIC,CHIP:100nF,+80-20%,50V,Y5V,TP	
C121	2203-000495	C-CERAMIC,CHIP:2.2nF,10%,50V,X7R,TP,2012		C202	2203-000683	C-CERAMIC,CHIP:27pF,5%,50V,NPO,TP,2012,-	
C122	2203-000609	C-CERAMIC,CHIP:22nF,10%,50V,X7R,TP,2012,		C203	2203-000429	C-CERAMIC,CHIP:18pF,5%,50V,NPO,TP,2012,-	
C124	2203-001680	C-CERAMIC,CHIP:68nF,20%,50V,Y5V,TP,2012,		C204	2203-000683	C-CERAMIC,CHIP:27pF,5%,50V,NPO,TP,2012,-	
C125	2203-000260	C-CERAMIC,CHIP:10nF,10%,50V,X7R,TP,2012,		C205	2203-001002	C-CERAMIC,CHIP:47pF,5%,50V,NPO,TP,2012,-	
C126	2203-000260	C-CERAMIC,CHIP:10nF,10%,50V,X7R,TP,2012,		C207	2203-001680	C-CERAMIC,CHIP:68nF,20%,50V,Y5V,TP,2012,	
C127	2203-001680	C-CERAMIC,CHIP:68nF,20%,50V,Y5V,TP,2012,		C208	2203-000444	C-CERAMIC,CHIP:1nF,10%,50V,X7R,TP,2012,-	
C128	2203-001680	C-CERAMIC,CHIP:68nF,20%,50V,Y5V,TP,2012,		C209	2203-000260	C-CERAMIC,CHIP:10nF,10%,50V,X7R,TP,2012,	
C129	2203-001680	C-CERAMIC,CHIP:68nF,20%,50V,Y5V,TP,2012,		C210	2404-000123	C-TA,CHIP:10uF,20%,16V,-,TP6032,2.9mm	
C130	2203-001680	C-CERAMIC,CHIP:68nF,20%,50V,Y5V,TP,2012,		C220	2203-001002	C-CERAMIC,CHIP:47pF,5%,50V,NPO,TP,2012,-	
C131	2404-000160	C-TA,CHIP:1uF,20%,50V,-,6032,6mm,TP		C301	2203-000634	C-CERAMIC,CHIP:22pF,5%,50V,NPO,TP,2012,-	
C132	2203-000260	C-CERAMIC,CHIP:10nF,10%,50V,X7R,TP,2012,		C302	2203-000634	C-CERAMIC,CHIP:22pF,5%,50V,NPO,TP,2012,-	
C133	2203-000260	C-CERAMIC,CHIP:10nF,10%,50V,X7R,TP,2012,		C303	2203-000634	C-CERAMIC,CHIP:22pF,5%,50V,NPO,TP,2012,-	
C134	2404-000160	C-TA,CHIP:1uF,20%,50V,-,6032,6mm,TP		C304	2203-000192	C-CERAMIC,CHIP:100nF,+80-20%,50V,Y5V,TP	
C135	2404-000160	C-TA,CHIP:1uF,20%,50V,-,6032,6mm,TP		CNZ01	3711-001164	CONNECTOR-HEADER:BOX,9P,1R,2.5mm,ANGLE,-	
C136	2203-000260	C-CERAMIC,CHIP:10nF,10%,50V,X7R,TP,2012,		CNZ02	3711-001094	CONNECTOR-HEADER:BOX,7P,1R,2.5mm,ANGLE,-	
C137	2203-000260	C-CERAMIC,CHIP:10nF,10%,50V,X7R,TP,2012,		CNZ03	3711-001049	CONNECTOR-HEADER:BOX,6P,1R,2.5mm,ANGLE,-	
C138	2404-000160	C-TA,CHIP:1uF,20%,50V,-,6032,6mm,TP		CP101	2901-000233	FILTER-EMI SMD:50V,300mA,-,330pF,4.5x1.8	
C139	2404-000160	C-TA,CHIP:1uF,20%,50V,-,6032,6mm,TP		CP102	2901-000233	FILTER-EMI SMD:50V,300mA,-,330pF,4.5x1.8	
C140	2203-000260	C-CERAMIC,CHIP:10nF,10%,50V,X7R,TP,2012,		CP103	2901-000229	FILTER-EMI SMD:50V,300mA,-,22nF,4.5x1.8x	
C141	2203-000260	C-CERAMIC,CHIP:10nF,10%,50V,X7R,TP,2012,		CP104	2901-000229	FILTER-EMI SMD:50V,300mA,-,22nF,4.5x1.8x	
C142	2404-000160	C-TA,CHIP:1uF,20%,50V,-,6032,6mm,TP		CP105	2901-000229	FILTER-EMI SMD:50V,300mA,-,22nF,4.5x1.8x	
C143	2404-000123	C-TA,CHIP:10uF,20%,16V,-,TP6032,2.9mm		CP106	2901-000229	FILTER-EMI SMD:50V,300mA,-,22nF,4.5x1.8x	
C144	2203-001680	C-CERAMIC,CHIP:68nF,20%,50V,Y5V,TP,2012,		CP107	2901-000229	FILTER-EMI SMD:50V,300mA,-,22nF,4.5x1.8x	
C145	2203-000408	C-CERAMIC,CHIP:180pF,5%,50V,NPO,TP,2012,		CP108	2901-000232	FILTER-EMI SMD:50V,300mA,-,10nF,4.5x1.8x	
C146	2203-000408	C-CERAMIC,CHIP:180pF,5%,50V,NPO,TP,2012,		CP109	2901-000232	FILTER-EMI SMD:50V,300mA,-,10nF,4.5x1.8x	
C147	2203-001680	C-CERAMIC,CHIP:68nF,20%,50V,Y5V,TP,2012,		CP110	2901-000232	FILTER-EMI SMD:50V,300mA,-,10nF,4.5x1.8x	
C148	2203-000408	C-CERAMIC,CHIP:180pF,5%,50V,NPO,TP,2012,		CP120	2901-000226	FILTER-EMI SMD:25V,200mA,-,100pF,3.2x1.2	
C149	2203-000408	C-CERAMIC,CHIP:180pF,5%,50V,NPO,TP,2012,		CP121	2901-000226	FILTER-EMI SMD:25V,200mA,-,100pF,3.2x1.2	
C150	2203-001680	C-CERAMIC,CHIP:68nF,20%,50V,Y5V,TP,2012,		CP122	2901-000226	FILTER-EMI SMD:25V,200mA,-,100pF,3.2x1.2	
C151	2203-000408	C-CERAMIC,CHIP:180pF,5%,50V,NPO,TP,2012,		CP123	2901-000226	FILTER-EMI SMD:25V,200mA,-,100pF,3.2x1.2	
C152	2203-000408	C-CERAMIC,CHIP:180pF,5%,50V,NPO,TP,2012,		CP124	2901-000226	FILTER-EMI SMD:25V,200mA,-,100pF,3.2x1.2	
C153	2404-000275	C-TA,CHIP:100uF,10%,10V,-,TP,7343,7.3mm		CP125	2901-000226	FILTER-EMI SMD:25V,200mA,-,100pF,3.2x1.2	
C154	2404-000123	C-TA,CHIP:10uF,20%,16V,-,TP6032,2.9mm		CP126	2901-000226	FILTER-EMI SMD:25V,200mA,-,100pF,3.2x1.2	
C155	2203-000126	C-CERAMIC,CHIP:1.2nF,10%,50V,X7R,TP,2012		CP127	2901-000226	FILTER-EMI SMD:25V,200mA,-,100pF,3.2x1.2	
C156	2203-000126	C-CERAMIC,CHIP:1.2nF,10%,50V,X7R,TP,2012		D100	0401-000003	DIODE-SWITCHING:1SS193,80V,100mA,SOT-23,	
C157	2203-000126	C-CERAMIC,CHIP:1.2nF,10%,50V,X7R,TP,2012		D101	0405-000128	DIODE-VARACTOR:1SV214,30V,10nA,USC,TP	
C158	2203-000126	C-CERAMIC,CHIP:1.2nF,10%,50V,X7R,TP,2012		D104	0403-000689	DIODE-ZENER:DTZ5.1A,5.1V,4.84-5.04V,200m	
C159	2203-000126	C-CERAMIC,CHIP:1.2nF,10%,50V,X7R,TP,2012		D105	0401-000003	DIODE-SWITCHING:1SS193,80V,100mA,SOT-23,	
C160	2203-000126	C-CERAMIC,CHIP:1.2nF,10%,50V,X7R,TP,2012		D106	0401-000003	DIODE-SWITCHING:1SS193,80V,100mA,SOT-23,	
C161	2203-001680	C-CERAMIC,CHIP:68nF,20%,50V,Y5V,TP,2012,		D110	0401-000008	DIODE-SWITCHING:DAN217,80V,100mA,SOT-23,	
C162	2203-001077	C-CERAMIC,CHIP:56pF,5%,50V,NPO,TP,2012,-		D111	0401-000003	DIODE-SWITCHING:1SS193,80V,100mA,SOT-23,	
C163	2404-000125	C-TA,CHIP:10uF,20%,16V,-,TP5054,1.5mm		D112	0401-000008	DIODE-SWITCHING:DAN217,80V,100mA,SOT-23,	
C164	2203-001214	C-CERAMIC,CHIP:8.2nF,10%,50V,X7R,TP,2012		D113	0401-000003	DIODE-SWITCHING:1SS193,80V,100mA,SOT-23,	
C165	2203-000444	C-CERAMIC,CHIP:1nF,10%,50V,X7R,TP,2012,-		D114	0401-000008	DIODE-SWITCHING:DAN217,80V,100mA,SOT-23,	
C166	2404-000125	C-TA,CHIP:10uF,20%,16V,-,TP5054,1.5mm		D115	0401-000003	DIODE-SWITCHING:1SS193,80V,100mA,SOT-23,	
C167	2203-001214	C-CERAMIC,CHIP:8.2nF,10%,50V,X7R,TP,2012		D118	0403-000689	DIODE-ZENER:DTZ5.1A,5.1V,4.84-5.04V,200m	
C168	2203-000444	C-CERAMIC,CHIP:1nF,10%,50V,X7R,TP,2012,-		D119	0403-000689	DIODE-ZENER:DTZ5.1A,5.1V,4.84-5.04V,200m	
C169	2203-001680	C-CERAMIC,CHIP:68nF,20%,50V,Y5V,TP,2012,		D200	0403-000689	DIODE-ZENER:DTZ5.1A,5.1V,4.84-5.04V,200m	
C170	2404-000125	C-TA,CHIP:10uF,20%,16V,-,TP5054,1.5mm		D201	0403-000689	DIODE-ZENER:DTZ5.1A,5.1V,4.84-5.04V,200m	
C171	2203-001214	C-CERAMIC,CHIP:8.2nF,10%,50V,X7R,TP,2012		D202	0403-000689	DIODE-ZENER:DTZ5.1A,5.1V,4.84-5.04V,200m	
C172	2203-000444	C-CERAMIC,CHIP:1nF,10%,50V,X7R,TP,2012,-		D203	0403-000689	DIODE-ZENER:DTZ5.1A,5.1V,4.84-5.04V,200m	
C173	2404-000125	C-TA,CHIP:10uF,20%,16V,-,TP5054,1.5mm		D204	0403-000689	DIODE-ZENER:DTZ5.1A,5.1V,4.84-5.04V,200m	
C174	2203-001214	C-CERAMIC,CHIP:8.2nF,10%,50V,X7R,TP,2012		D205	0403-000689	DIODE-ZENER:DTZ5.1A,5.1V,4.84-5.04V,200m	
C175	2203-000444	C-CERAMIC,CHIP:1nF,10%,50V,X7R,TP,2012,-		D206	0403-000689	DIODE-ZENER:DTZ5.1A,5.1V,4.84-5.04V,200m	
C176	2404-000125	C-TA,CHIP:10uF,20%,16V,-,TP5054,1.5mm		D207	0403-000689	DIODE-ZENER:DTZ5.1A,5.1V,4.84-5.04V,200m	
C177	2203-001214	C-CERAMIC,CHIP:8.2nF,10%,50V,X7R,TP,2012		IC104	1001-000105	IC-ANALOG SWITCH:CD4066BM,BILATERAL CMOS	
C178	2203-000444	C-CERAMIC,CHIP:1nF,10%,50V,X7R,TP,2012,-		IC106	1201-000167	IC-OP AMP:358,SOP,8P;150MIL,DUAL,100V/mV	
C179	2404-000125	C-TA,CHIP:10uF,20%,16V,-,TP5054,1.5mm		IC112	AA13-30006B	IC-MCU:-,AT89C52-24,-,DIP,-,40P,600MI	
C180	2203-001214	C-CERAMIC,CHIP:8.2nF,10%,50V,X7R,TP,2012		IC113	1002-000131	IC-A/D&D/A CONVERTER:PCM55HP,16BIT,SOP,2	
C181	2203-000444	C-CERAMIC,CHIP:1nF,10%,50V,X7R,TP,2012,-		IC114	1002-000131	IC-A/D&D/A CONVERTER:PCM55HP,16BIT,SOP,2	
C182	2203-001077	C-CERAMIC,CHIP:56pF,5%,50V,NPO,TP,2012,-		IC115	1002-000131	IC-A/D&D/A CONVERTER:PCM55HP,16BIT,SOP,2	
C183	2404-000125	C-TA,CHIP:10uF,20%,16V,-,TP5054,1.5mm		IC132	0801-001156	IC-CMOS LOGIC:74HC4066,BILATERAL SWITCH,	
C184	2404-000125	C-TA,CHIP:10uF,20%,16V,-,TP5054,1.5mm		IC133	0801-001156	IC-CMOS LOGIC:74HC4066,BILATERAL SWITCH,	
C185	2404-000125	C-TA,CHIP:10uF,20%,16V,-,TP5054,1.5mm		IC135	1001-000105	IC-ANALOG SWITCH:CD4066BM,BILATERAL CMOS	
C186	2404-000125	C-TA,CHIP:10uF,20%,16V,-,TP5054,1.5mm		IC136	1001-000105	IC-ANALOG SWITCH:CD4066BM,BILATERAL CMOS	

Loc. No.	Code No.	Description ; Specification	Remark	Loc. No.	Code No.	Description ; Specification	Remark
IC141	1103-000139	IC-EEPROM:24C16,2KX8BIT,DIP,8P,300MIL,10		R108	2007-000468	R-CHIP:1KOHM,5%,1/10W,DA,TP,2012	
IC143	AA13-10001X	IC-ASIC:-,DCS04,QFP,160P,CONV CONTROL		R109	2007-000872	R-CHIP:4.7KOHM,5%,1/10W,DA,TP,2012	
IC144	1203-000641	IC-RESET:7442,TO-92,3P,-,PLASTIC,-,0.3/7		R110	2007-000409	R-CHIP:15KOHM,5%,1/10W,DA,TP,2012	
L100	AA26-10001Y	TRANS-IF:-,5CA,IF,10uH,5mm,-,2.52MHz,ST		R111	2007-000572	R-CHIP:220OHM,5%,1/10W,DA,TP,2012	
L102	2703-000248	INDUCTOR-SMD:820uH,5%,3.2x4.5x3.2mm		R112	2007-000409	R-CHIP:15KOHM,5%,1/10W,DA,TP,2012	
L103	2703-000248	INDUCTOR-SMD:820uH,5%,3.2x4.5x3.2mm		R113	2007-000468	R-CHIP:1KOHM,5%,1/10W,DA,TP,2012	
L104	2703-000248	INDUCTOR-SMD:820uH,5%,3.2x4.5x3.2mm		R114	2007-000586	R-CHIP:22KOHM,5%,1/10W,DA,TP,2012	
L105	2703-000248	INDUCTOR-SMD:820uH,5%,3.2x4.5x3.2mm		R115	2007-000830	R-CHIP:39KOHM,5%,1/10W,DA,TP,2012	
L106	2703-000248	INDUCTOR-SMD:820uH,5%,3.2x4.5x3.2mm		R116	2007-000468	R-CHIP:1KOHM,5%,1/10W,DA,TP,2012	
L107	2703-000248	INDUCTOR-SMD:820uH,5%,3.2x4.5x3.2mm		R118	2007-000830	R-CHIP:39KOHM,5%,1/10W,DA,TP,2012	
L108	2703-000155	INDUCTOR-SMD:1mH,5%,3.2x4.5x3.2mm		R119	2007-000586	R-CHIP:22KOHM,5%,1/10W,DA,TP,2012	
L109	2703-000155	INDUCTOR-SMD:1mH,5%,3.2x4.5x3.2mm		R120	2007-000415	R-CHIP:150OHM,5%,1/10W,DA,TP,2012	
L110	2703-000155	INDUCTOR-SMD:1mH,5%,3.2x4.5x3.2mm		R121	2007-000300	R-CHIP:10KOHM,5%,1/10W,DA,TP,2012	
L111	2703-000155	INDUCTOR-SMD:1mH,5%,3.2x4.5x3.2mm		R122	2007-000586	R-CHIP:22KOHM,5%,1/10W,DA,TP,2012	
L112	2703-000155	INDUCTOR-SMD:1mH,5%,3.2x4.5x3.2mm		R123	2007-000282	R-CHIP:100KOHM,5%,1/10W,DA,TP,2012	
L113	2703-000155	INDUCTOR-SMD:1mH,5%,3.2x4.5x3.2mm		R124	2103-000677	VR-SEMI:5Kohm,25%,1/5W,TOP	
L121	2901-000297	FILTER-EMI ON BOARD:-,3A,-,-,3.5x5,TP,-		R125	2007-000586	R-CHIP:22KOHM,5%,1/10W,DA,TP,2012	
Q100	0501-000342	TR-SMALL SIGNAL:KSC1623-Y,NPN,200mW,SOT-		R130	2007-000872	R-CHIP:4.7KOHM,5%,1/10W,DA,TP,2012	
Q101	0501-000342	TR-SMALL SIGNAL:KSC1623-Y,NPN,200mW,SOT-		R131	2007-000872	R-CHIP:4.7KOHM,5%,1/10W,DA,TP,2012	
Q102	0501-000342	TR-SMALL SIGNAL:KSC1623-Y,NPN,200mW,SOT-		R132	2007-000872	R-CHIP:4.7KOHM,5%,1/10W,DA,TP,2012	
Q103	0501-000342	TR-SMALL SIGNAL:KSC1623-Y,NPN,200mW,SOT-		R133	2007-000872	R-CHIP:4.7KOHM,5%,1/10W,DA,TP,2012	
Q104	0501-000342	TR-SMALL SIGNAL:KSC1623-Y,NPN,200mW,SOT-		R134	2007-000872	R-CHIP:4.7KOHM,5%,1/10W,DA,TP,2012	
Q105	0501-000342	TR-SMALL SIGNAL:KSC1623-Y,NPN,200mW,SOT-		R135	2007-000872	R-CHIP:4.7KOHM,5%,1/10W,DA,TP,2012	
Q106	0501-000342	TR-SMALL SIGNAL:KSC1623-Y,NPN,200mW,SOT-		R136	2007-000872	R-CHIP:4.7KOHM,5%,1/10W,DA,TP,2012	
Q107	0501-000342	TR-SMALL SIGNAL:KSC1623-Y,NPN,200mW,SOT-		R137	2007-000872	R-CHIP:4.7KOHM,5%,1/10W,DA,TP,2012	
Q108	0501-000342	TR-SMALL SIGNAL:KSC1623-Y,NPN,200mW,SOT-		R138	2007-000468	R-CHIP:1KOHM,5%,1/10W,DA,TP,2012	
Q109	0501-000342	TR-SMALL SIGNAL:KSC1623-Y,NPN,200mW,SOT-		R139	2007-001097	R-CHIP:62Kohm,5%,1/10W,DA,TP,2012	
Q110	0501-000342	TR-SMALL SIGNAL:KSC1623-Y,NPN,200mW,SOT-		R140	2007-000304	R-CHIP:10Mohm,5%,1/10W,DA,TP,2012	
Q111	0501-000342	TR-SMALL SIGNAL:KSC1623-Y,NPN,200mW,SOT-		R141	2007-000468	R-CHIP:1KOHM,5%,1/10W,DA,TP,2012	
Q112	0501-000342	TR-SMALL SIGNAL:KSC1623-Y,NPN,200mW,SOT-		R142	2007-000300	R-CHIP:10KOHM,5%,1/10W,DA,TP,2012	
Q113	0501-000342	TR-SMALL SIGNAL:KSC1623-Y,NPN,200mW,SOT-		R159	2007-000221	R-CHIP:1.2KOHM,5%,1/10W,DA,TP,2012	
Q114	0501-000342	TR-SMALL SIGNAL:KSC1623-Y,NPN,200mW,SOT-		R160	2007-000300	R-CHIP:10KOHM,5%,1/10W,DA,TP,2012	
Q115	0501-000342	TR-SMALL SIGNAL:KSC1623-Y,NPN,200mW,SOT-		R162	2007-000300	R-CHIP:10KOHM,5%,1/10W,DA,TP,2012	
Q116	0501-000342	TR-SMALL SIGNAL:KSC1623-Y,NPN,200mW,SOT-		R163	2007-000300	R-CHIP:10KOHM,5%,1/10W,DA,TP,2012	
Q117	0501-000342	TR-SMALL SIGNAL:KSC1623-Y,NPN,200mW,SOT-		R164	2007-000300	R-CHIP:10KOHM,5%,1/10W,DA,TP,2012	
Q118	0501-000342	TR-SMALL SIGNAL:KSC1623-Y,NPN,200mW,SOT-		R165	2007-000380	R-CHIP:13KOHM,5%,1/10W,DA,TP,2012	
Q119	0501-000342	TR-SMALL SIGNAL:KSC1623-Y,NPN,200mW,SOT-		R167	2007-000468	R-CHIP:1KOHM,5%,1/10W,DA,TP,2012	
Q120	0501-000342	TR-SMALL SIGNAL:KSC1623-Y,NPN,200mW,SOT-		R168	2007-000653	R-CHIP:27KOHM,5%,1/10W,DA,TP,2012	
Q121	0501-000342	TR-SMALL SIGNAL:KSC1623-Y,NPN,200mW,SOT-		R169	2007-000029	R-CHIP:00HM,5%,1/10W,DA,TP,2012	
Q122	0501-000342	TR-SMALL SIGNAL:KSC1623-Y,NPN,200mW,SOT-		R171	2007-000029	R-CHIP:00HM,5%,1/10W,DA,TP,2012	
Q123	0501-000342	TR-SMALL SIGNAL:KSC1623-Y,NPN,200mW,SOT-		R181	2007-000221	R-CHIP:1.2KOHM,5%,1/10W,DA,TP,2012	
Q124	0501-000342	TR-SMALL SIGNAL:KSC1623-Y,NPN,200mW,SOT-		R182	2007-000468	R-CHIP:1KOHM,5%,1/10W,DA,TP,2012	
Q125	0501-000342	TR-SMALL SIGNAL:KSC1623-Y,NPN,200mW,SOT-		R183	2007-000686	R-CHIP:3.3KOHM,5%,1/10W,DA,TP,2012	
Q126	0501-000342	TR-SMALL SIGNAL:KSC1623-Y,NPN,200mW,SOT-		R184	2007-000468	R-CHIP:1KOHM,5%,1/10W,DA,TP,2012	
Q127	0501-000342	TR-SMALL SIGNAL:KSC1623-Y,NPN,200mW,SOT-		R185	2007-000468	R-CHIP:1KOHM,5%,1/10W,DA,TP,2012	
Q128	0501-000342	TR-SMALL SIGNAL:KSC1623-Y,NPN,200mW,SOT-		R186	2007-000221	R-CHIP:1.2KOHM,5%,1/10W,DA,TP,2012	
Q129	0501-000342	TR-SMALL SIGNAL:KSC1623-Y,NPN,200mW,SOT-		R187	2007-000468	R-CHIP:1KOHM,5%,1/10W,DA,TP,2012	
Q130	0501-000342	TR-SMALL SIGNAL:KSC1623-Y,NPN,200mW,SOT-		R188	2007-000686	R-CHIP:3.3KOHM,5%,1/10W,DA,TP,2012	
Q131	0501-000342	TR-SMALL SIGNAL:KSC1623-Y,NPN,200mW,SOT-		R189	2007-000468	R-CHIP:1KOHM,5%,1/10W,DA,TP,2012	
Q132	0501-000342	TR-SMALL SIGNAL:KSC1623-Y,NPN,200mW,SOT-		R190	2007-000468	R-CHIP:1KOHM,5%,1/10W,DA,TP,2012	
Q133	0501-000342	TR-SMALL SIGNAL:KSC1623-Y,NPN,200mW,SOT-		R191	2007-000221	R-CHIP:1.2KOHM,5%,1/10W,DA,TP,2012	
Q134	0501-000342	TR-SMALL SIGNAL:KSC1623-Y,NPN,200mW,SOT-		R192	2007-000468	R-CHIP:1KOHM,5%,1/10W,DA,TP,2012	
Q135	0501-000342	TR-SMALL SIGNAL:KSC1623-Y,NPN,200mW,SOT-		R193	2007-000686	R-CHIP:3.3KOHM,5%,1/10W,DA,TP,2012	
Q136	0501-000342	TR-SMALL SIGNAL:KSC1623-Y,NPN,200mW,SOT-		R194	2007-000468	R-CHIP:1KOHM,5%,1/10W,DA,TP,2012	
Q137	0501-000342	TR-SMALL SIGNAL:KSC1623-Y,NPN,200mW,SOT-		R195	2007-000468	R-CHIP:1KOHM,5%,1/10W,DA,TP,2012	
Q138	0501-000280	TR-SMALL SIGNAL:KSA1182,PNP,150mW,SOT-23		R196	2007-000300	R-CHIP:10KOHM,5%,1/10W,DA,TP,2012	
Q139	0501-000280	TR-SMALL SIGNAL:KSA1182,PNP,150mW,SOT-23		R197	2007-000290	R-CHIP:100OHM,5%,1/10W,DA,TP,2012	
Q140	0501-000280	TR-SMALL SIGNAL:KSA1182,PNP,150mW,SOT-23		R198	2007-000468	R-CHIP:1KOHM,5%,1/10W,DA,TP,2012	
Q141	0501-000280	TR-SMALL SIGNAL:KSA1182,PNP,150mW,SOT-23		R199	2007-000290	R-CHIP:100OHM,5%,1/10W,DA,TP,2012	
Q142	0501-000280	TR-SMALL SIGNAL:KSA1182,PNP,150mW,SOT-23		R200	2007-000468	R-CHIP:1KOHM,5%,1/10W,DA,TP,2012	
Q143	0501-000280	TR-SMALL SIGNAL:KSA1182,PNP,150mW,SOT-23		R201	2007-000290	R-CHIP:100OHM,5%,1/10W,DA,TP,2012	
Q144	0501-000280	TR-SMALL SIGNAL:KSA1182,PNP,150mW,SOT-23		R202	2007-000468	R-CHIP:1KOHM,5%,1/10W,DA,TP,2012	
Q145	0501-000280	TR-SMALL SIGNAL:KSA1182,PNP,150mW,SOT-23		R203	2007-000290	R-CHIP:100OHM,5%,1/10W,DA,TP,2012	
Q200	0505-000257	FET-SILICON:2SK217,N,-,20mA,-,150mW,SOT-		R204	2007-000468	R-CHIP:1KOHM,5%,1/10W,DA,TP,2012	
Q201	0505-000257	FET-SILICON:2SK217,N,-,20mA,-,150mW,SOT-		R205	2007-000290	R-CHIP:100OHM,5%,1/10W,DA,TP,2012	
Q202	0505-000257	FET-SILICON:2SK217,N,-,20mA,-,150mW,SOT-		R206	2007-000468	R-CHIP:1KOHM,5%,1/10W,DA,TP,2012	
Q203	0505-000257	FET-SILICON:2SK217,N,-,20mA,-,150mW,SOT-		R207	2007-000290	R-CHIP:100OHM,5%,1/10W,DA,TP,2012	
Q204	0505-000257	FET-SILICON:2SK217,N,-,20mA,-,150mW,SOT-		R208	2007-000468	R-CHIP:1KOHM,5%,1/10W,DA,TP,2012	
Q205	0505-000257	FET-SILICON:2SK217,N,-,20mA,-,150mW,SOT-		R209	2003-002026	R-METAL OXIDE(S):4.7ohm,5%,1W,AF,TP,2.5x	
R100	2007-000282	R-CHIP:100KOHM,5%,1/10W,DA,TP,2012		R210	2003-002026	R-METAL OXIDE(S):4.7ohm,5%,1W,AF,TP,2.5x	
R101	2007-000282	R-CHIP:100KOHM,5%,1/10W,DA,TP,2012		R211	2003-002026	R-METAL OXIDE(S):4.7ohm,5%,1W,AF,TP,2.5x	
R102	2007-000468	R-CHIP:1KOHM,5%,1/10W,DA,TP,2012		R212	2007-000030	R-CHIP:560OHM,5%,1/10W,DA,TP,2012	
R103	2007-000468	R-CHIP:1KOHM,5%,1/10W,DA,TP,2012		R213	2007-000290	R-CHIP:100OHM,5%,1/10W,DA,TP,2012	
R104	2007-000468	R-CHIP:1KOHM,5%,1/10W,DA,TP,2012		R214	2007-000981	R-CHIP:5.6KOHM,5%,1/10W,DA,TP,2012	
R105	2007-000586	R-CHIP:22KOHM,5%,1/10W,DA,TP,2012		R215	2007-000872	R-CHIP:4.7KOHM,5%,1/10W,DA,TP,2012	
R106	2007-000468	R-CHIP:1KOHM,5%,1/10W,DA,TP,2012		R216	2007-000030	R-CHIP:560OHM,5%,1/10W,DA,TP,2012	
R107	2007-000468	R-CHIP:1KOHM,5%,1/10W,DA,TP,2012		R217	2007-000290	R-CHIP:100OHM,5%,1/10W,DA,TP,2012	

Loc. No.	Code No.	Description ; Specification	Remark	Loc. No.	Code No.	Description ; Specification	Remark
HOLDER	AA61-20125A	HOLDER-SPACER;-;S43.5288,ABS,HB,BLK,HR-0					
SPA	AA63-60025A	SPACER-DY;NEOPRENE,-,BLK,V0,S4388,-					
SPA	AA63-60039A	SPACER-LENS;SPONGE,T2.0,BLK,W110,S4388,-					
SPA	AA63-60059A	SPACER-FELT;FELT,TO.5,BLK,CRT,-,-					
SPA	AA63-60111A	SPACER-CRT;EDPM,-,-,-,S4388,5288,-					
SPA	AA63-60125A	SPACER-C,ELEMENT;EPDM,3.2,BLK,-,PROJECTI					
BRKT	AA61-10381A	BRACKET-CRT;-;S4388,5288,SECC,T1.6,-,-,-					
LENS	AA67-10036A	LENS-ASSY;43INCH,SSM-75RS-43,-,SEKINOS,C					
LENS	AA67-10037A	LENS;43INCH,SSM-75RS-43,-,SEKINOS,C					
HOLDER	AA61-00009A	HOLDER—CAP;-;PJT,-,-,BLK,-					
CASE	AA64-00066A	CASE—COUPLER,R/B;-;PJT,-,ALDC8,-,BLK,-					
SPA	AA63-00011A	SPACER—CAP;EPDM RUBBER,-,BLK,-,PJT,-					
PCB	AA41-10421B	PCB-SIGNAL;SPT51A,1,FR-1,330x245x1.6T,-					
PCB	AA41-10431C	PCB-CRT(R);SPT51A,1,FR-1,330x245x1.6T,-					
PCB	AA41-10434A	PCB-CONTROL;SPT51A,1,FR-1,245X245X1.6T					
PCB	AA41-10436A	PCB-PREAMP;SPT51A,1,FR-1,245X245X1.6T					
PCB	AA41-10437B	PCB-A/V BACK;SPT51A,2L,FR-4,330x245x1.6T					
PWB	AA41-10371B	PCB-AUDIO;SCT51A,2L,FR-4,100x76x1.6T,-,-					
PCB	AA41-10424D	PCB-DEFLECTION;SPT51A,1,CEM-1,330x245x1.					
PCB	AA41-10479E	PCB-CONVERGENCE;SPT51A,1,CEM-1,330x245x1					
PCB	AA41-10438A	PCB-MASTER S/W;SPT51A,1,CEM-1,245X245X1.					
PWB	AA41-10330B	PCB-TTX;SCT51A,1L,FR-1,81x65x1.6T,-,-					
PWB	AA41-10323A	PCB-IF;SCT51A,2,FR-4,100X76X1.6T					
PWB	AA41-10321C	PCB-PIP;SCT51A,2L,FR-4,100x76x1.6T,-,-					
PCB	AA41-10581D	PCB-POWER;SPT51A,1L,CEM-1,330x245x1.6T,-					
PCB	AA41-10430A	PCB-CONTROL;SPT51A,1,FR-1,245X245X1.6T,-					
03LOT	AA41-10480D	PCB-MODULE;APT51A,2L,FR-4,191x123x1.6T,-					

9-2 SPM5288PF

Loc. No.	Code No.	Description ; Specification	Remark	Loc. No.	Code No.	Description ; Specification	Remark
ASSY-PCB,MAIN							
* AA94-10150A		ASSY-PCB,MAIN(OPT);SP5288PFX/PIC,SPT51A,	PIIC	C242	2305-000354	C-FILM,MPEF;330NF,5%,50V,TP,7.3X4.8X5.5M	
* AA94-10152D		ASSY-PCB,MAIN(OPT);SP5288PFX/XEH,SPT51A,	SEH	C243	2401-000603	C-AL;1uF,20%,50V,GP,TP,5x11,5	
				C244	2401-001668	C-AL;68uF,20%,16V,GP,TP,5x11,5	
BRKT	AA61-10360A	BRACKET-MODULE;-,-,CUS-1 1/2H,T0.5,-,SCT		C245	2301-000342	C-FILM,PEF;2.2nF,5%,50V,TP,7.4x3.9x13mm,	
C1001	2401-001840	C-AL;100uF,20%,16V,GP,TP,6.3x11,5		C246*	2201-000273	C-CERAMIC,DISC;18pF,5%,50V,CH,TP,5x3mm,5	
C1002	2306-000122	C-FILM,MPPF;100nF,5%,50V,TP,7.3x4.0x5.0m		C247*	2401-000603	C-AL;1uF,20%,50V,GP,TP,5x11,5	
C1003	2401-000962	C-AL;22uF,20%,50V,GP,TP,5x11,5		C248	2401-000922	C-AL;22uF,20%,16V,GP,TP,5x5,5	
C1004	2306-000122	C-FILM,MPPF;100nF,5%,50V,TP,7.3x4.0x5.0m		C249	2305-000355	C-FILM,MPEF;330NF,5%,63V,TP,-,5mm	
C1005	2305-000665	C-FILM,MPEF;100nF,5%,63V,TP,7.5x4.0x5.0m		C250	2301-000148	C-FILM,PEF;10nF,5%,100V,TP,7x3.2x7mm,5mm	
C1006	2401-001840	C-AL;100uF,20%,16V,GP,TP,6.3x11,5		C251	2301-000148	C-FILM,PEF;10nF,5%,100V,TP,7x3.2x7mm,5mm	
C1007	2401-000027	C-AL;4.7uF,20%,50V,GP,TP,5x11,5		C252	2301-000148	C-FILM,PEF;10nF,5%,100V,TP,7x3.2x7mm,5mm	
C1008	2201-000982	C-CERAMIC,DISC;10nF,+80-20%,50V,Y5V,TP,6		C253	2301-000148	C-FILM,PEF;10nF,5%,100V,TP,7x3.2x7mm,5mm	
C1009	2401-001840	C-AL;100uF,20%,16V,GP,TP,6.3x11,5		C254	2401-002144	C-AL;47uF,20%,16V,GP,TP,5x11,5	
C1015	2401-001840	C-AL;100uF,20%,16V,GP,TP,6.3x11,5		C255	2305-000665	C-FILM,MPEF;100nF,5%,63V,TP,7.5x4.0x5.0m	
C1016	2305-000665	C-FILM,MPEF;100nF,5%,63V,TP,7.5x4.0x5.0m		C256	2301-000148	C-FILM,PEF;10nF,5%,100V,TP,7x3.2x7mm,5mm	
C200	2201-000144	C-CERAMIC,DISC;100pF,5%,50V,CH,TP,8x3,5		C257	2305-000665	C-FILM,MPEF;100nF,5%,63V,TP,7.5x4.0x5.0m	
C201	2401-001840	C-AL;100uF,20%,16V,GP,TP,6.3x11,5		C258	2301-000383	C-FILM,PEF;10nF,5%,50V,TP,6x7x3.2mm,5mm	
C202	2305-000665	C-FILM,MPEF;100nF,5%,63V,TP,7.5x4.0x5.0m		C259	2305-000665	C-FILM,MPEF;100nF,5%,63V,TP,7.5x4.0x5.0m	
C203	2305-000665	C-FILM,MPEF;100nF,5%,63V,TP,7.5x4.0x5.0m		C260	2301-000383	C-FILM,PEF;10nF,5%,50V,TP,6x7x3.2mm,5mm	
C204	2309-000138	C-FILM,PE-PFF;100nF,5%,50V,TP,20x16x8,5,		C261	2305-000665	C-FILM,MPEF;100nF,5%,63V,TP,7.5x4.0x5.0m	
C205	2201-000483	C-CERAMIC,DISC;33pF,5%,50V,CH,TP,5x3,5		C262	2301-000383	C-FILM,PEF;10nF,5%,50V,TP,6x7x3.2mm,5mm	
C206	2305-000665	C-FILM,MPEF;100nF,5%,63V,TP,7.5x4.0x5.0m		C265	2401-000922	C-AL;22uF,20%,16V,GP,TP,5x5,5	
C207	2305-000665	C-FILM,MPEF;100nF,5%,63V,TP,7.5x4.0x5.0m		C266	2305-000665	C-FILM,MPEF;100nF,5%,63V,TP,7.5x4.0x5.0m	
C208	2301-000232	C-FILM,PEF;3.3nF,5%,50V,TP,8.1x4.5x13mm,		C268	2305-000665	C-FILM,MPEF;100nF,5%,63V,TP,7.5x4.0x5.0m	
C209	2305-000665	C-FILM,MPEF;100nF,5%,63V,TP,7.5x4.0x5.0m		C269	2401-000947	C-AL;22uF,20%,35V,GP,TP,5x11,5	
C210	2305-000665	C-FILM,MPEF;100nF,5%,63V,TP,7.5x4.0x5.0m		C270	2305-000665	C-FILM,MPEF;100nF,5%,63V,TP,7.5x4.0x5.0m	
C2101	2305-000289	C-FILM,MPEF;220nF,5%,63V,TP,-,5mm		C271	2306-000122	C-FILM,MPPF;100nF,5%,50V,TP,7.3x4.0x5.0m	
C2102	2305-000289	C-FILM,MPEF;220nF,5%,63V,TP,-,5mm		C274	2401-002144	C-AL;47uF,20%,16V,GP,TP,5x11,5	
C2103	2305-000289	C-FILM,MPEF;220nF,5%,63V,TP,-,5mm		C275	2301-000383	C-FILM,PEF;10nF,5%,50V,TP,6x7x3.2mm,5mm	
C2104	2305-000289	C-FILM,MPEF;220nF,5%,63V,TP,-,5mm		C277	2306-000122	C-FILM,MPPF;100nF,5%,50V,TP,7.3x4.0x5.0m	
C2105	2305-000289	C-FILM,MPEF;220nF,5%,63V,TP,-,5mm		C278	2401-002144	C-AL;47uF,20%,16V,GP,TP,5x11,5	
C2106	2305-000289	C-FILM,MPEF;220nF,5%,63V,TP,-,5mm		C279	2306-000122	C-FILM,MPPF;100nF,5%,50V,TP,7.3x4.0x5.0m	
C2107	2305-000665	C-FILM,MPEF;100nF,5%,63V,TP,7.5x4.0x5.0m		C280	2306-000122	C-FILM,MPPF;100nF,5%,50V,TP,7.3x4.0x5.0m	
C2108	2401-001840	C-AL;100uF,20%,16V,GP,TP,6.3x11,5		C281	2401-000947	C-AL;22uF,20%,35V,GP,TP,5x11,5	
C2109	2201-000611	C-CERAMIC,DISC;56pF,5%,50V,CH,TP,6.5x3,5		C282	2301-000383	C-FILM,PEF;10nF,5%,50V,TP,6x7x3.2mm,5mm	
C211	2305-000665	C-FILM,MPEF;100nF,5%,63V,TP,7.5x4.0x5.0m		C283	2201-000375	C-CERAMIC,DISC;220pF,5%,50V,RH,TP,9.5x3,	
C2110	2201-000234	C-CERAMIC,DISC;150pF,5%,50V,CH,TP,9.5x3,		C284	2301-000383	C-FILM,PEF;10nF,5%,50V,TP,6x7x3.2mm,5mm	
C2111	2201-000504	C-CERAMIC,DISC;39pF,5%,50V,SL,TP,-,5		C285	2301-000261	C-FILM,PEF;4.7nF,5%,100V,TP,10.5x12.5x6,	
C2112	2401-000027	C-AL;4.7uF,20%,50V,GP,TP,5x11,5		C286	2301-000383	C-FILM,PEF;10nF,5%,50V,TP,6x7x3.2mm,5mm	
C212	2305-000355	C-FILM,MPEF;330NF,5%,63V,TP,-,5mm		C287	2401-001333	C-AL;470nF,20%,50V,GP,TP,5x11,5	
C213	2301-000232	C-FILM,PEF;3.3nF,5%,50V,TP,8.1x4.5x13mm,		C288	2301-000383	C-FILM,PEF;10nF,5%,50V,TP,6x7x3.2mm,5mm	
C214	2301-000016	C-FILM,PEF;22nF,5%,100V,TP,7.2x4.5x9.0mm		C289	2201-000375	C-CERAMIC,DISC;220pF,5%,50V,RH,TP,9.5x3,	
C215	2305-000665	C-FILM,MPEF;100nF,5%,63V,TP,7.5x4.0x5.0m		C290	2301-000383	C-FILM,PEF;10nF,5%,50V,TP,6x7x3.2mm,5mm	
C216	2201-000144	C-CERAMIC,DISC;100pF,5%,50V,CH,TP,8x3,5		C291	2301-000383	C-FILM,PEF;10nF,5%,50V,TP,6x7x3.2mm,5mm	
C217	2201-000471	C-CERAMIC,DISC;330pF,10%,50V,Y5P,TP,5x3,		C292	2201-000961	C-CERAMIC,DISC;10pF,0.5pF,50V,RH,TP,5x3mm	
C218	2201-000375	C-CERAMIC,DISC;220pF,5%,50V,RH,TP,9.5x3,		C293	2201-000961	C-CERAMIC,DISC;10pF,0.5pF,50V,RH,TP,5x3mm	
C219	2305-000354	C-FILM,MPEF;330NF,5%,50V,TP,7.3X4.8X5.5M		C294	2401-000027	C-AL;4.7uF,20%,50V,GP,TP,5x11,5	
C220	2201-000375	C-CERAMIC,DISC;220pF,5%,50V,RH,TP,9.5x3,		C295	2301-000383	C-FILM,PEF;10nF,5%,50V,TP,6x7x3.2mm,5mm	
C221	2201-000144	C-CERAMIC,DISC;100pF,5%,50V,CH,TP,8x3,5		C296	2201-000193	C-CERAMIC,DISC;10pF,0.3pF,50V,CH,TP,5x3,	
C222	2305-000665	C-FILM,MPEF;100nF,5%,63V,TP,7.5x4.0x5.0m		C297	2306-000122	C-FILM,MPPF;100nF,5%,50V,TP,7.3x4.0x5.0m	
C223	2401-001840	C-AL;100uF,20%,16V,GP,TP,6.3x11,5		C298	2401-002231	C-AL;470uF,20%,50V,WT,TP,13x20mm,5m	
C224	2305-000665	C-FILM,MPEF;100nF,5%,63V,TP,7.5x4.0x5.0m		C299	2201-000144	C-CERAMIC,DISC;100pF,5%,50V,CH,TP,8x3,5	
C225	2305-000665	C-FILM,MPEF;100nF,5%,63V,TP,7.5x4.0x5.0m		C601	2401-002144	C-AL;47uF,20%,16V,GP,TP,5x11,5	
C226	2401-000027	C-AL;4.7uF,20%,50V,GP,TP,5x11,5		C602	2305-000665	C-FILM,MPEF;100nF,5%,63V,TP,7.5x4.0x5.0m	
C227	2401-000027	C-AL;4.7uF,20%,50V,GP,TP,5x11,5		C603	2401-001840	C-AL;100uF,20%,16V,GP,TP,6.3x11,5	
C228	2306-000122	C-FILM,MPPF;100nF,5%,50V,TP,7.3x4.0x5.0m		C605	2401-000471	C-AL;10uF,20%,50V,GP,TP,5x11,5mm	
C229	2401-001840	C-AL;100uF,20%,16V,GP,TP,6.3x11,5		C606	2401-001840	C-AL;100uF,20%,16V,GP,TP,6.3x11,5	
C230	2305-000289	C-FILM,MPEF;220nF,5%,63V,TP,-,5mm		C8001	2401-000302	C-AL;100uF,20%,25V,GP,TP,6.3x11,5	
C231	2305-000289	C-FILM,MPEF;220nF,5%,63V,TP,-,5mm		C8002	2305-000665	C-FILM,MPEF;100nF,5%,63V,TP,7.5x4.0x5.0m	
C232	2305-000289	C-FILM,MPEF;220nF,5%,63V,TP,-,5mm		C8003	2305-000665	C-FILM,MPEF;100nF,5%,63V,TP,7.5x4.0x5.0m	
C233	2305-000665	C-FILM,MPEF;100nF,5%,63V,TP,7.5x4.0x5.0m		C8004	2401-001840	C-AL;100uF,20%,16V,GP,TP,6.3x11,5	
C234	2305-000665	C-FILM,MPEF;100nF,5%,63V,TP,7.5x4.0x5.0m		C8005	2305-000665	C-FILM,MPEF;100nF,5%,63V,TP,7.5x4.0x5.0m	
C235	2305-000665	C-FILM,MPEF;100nF,5%,63V,TP,7.5x4.0x5.0m		C8006	2401-000832	C-AL;220uF,20%,25V,GP,TP,8x11.5,5	
C236	2305-000665	C-FILM,MPEF;100nF,5%,63V,TP,7.5x4.0x5.0m		C8008	2305-000665	C-FILM,MPEF;100nF,5%,63V,TP,7.5x4.0x5.0m	
C237	2305-000665	C-FILM,MPEF;100nF,5%,63V,TP,7.5x4.0x5.0m		C8009	2401-000832	C-AL;220uF,20%,25V,GP,TP,8x11.5,5	
C238	2305-000665	C-FILM,MPEF;100nF,5%,63V,TP,7.5x4.0x5.0m		C8010	2401-002594	C-AL;220uF,20%,16V,GP,TP,8x11.5,5	
C239	2305-000665	C-FILM,MPEF;100nF,5%,63V,TP,7.5x4.0x5.0m		C8012	2305-000665	C-FILM,MPEF;100nF,5%,63V,TP,7.5x4.0x5.0m	
C240	2305-000665	C-FILM,MPEF;100nF,5%,63V,TP,7.5x4.0x5.0m		C8013	2401-001397	C-AL;470uF,20%,25V,GP,TP,10x16,5	
C241	2305-000665	C-FILM,MPEF;100nF,5%,63V,TP,7.5x4.0x5.0m		C8014	2401-001840	C-AL;100uF,20%,16V,GP,TP,6.3x11,5	
				C8015	2305-000665	C-FILM,MPEF;100nF,5%,63V,TP,7.5x4.0x5.0m	
				Q901	2401-001397	C-AL;470uF,20%,25V,GP,TP,10x16,5	
				Q902	2401-000480	C-AL;10uF,20%,50V,GP,TP,5x11,5	
				C903	2201-000374	C-CERAMIC,DISC;220pF,5%,50V,CH,TP,12.5x3	

Loc. No.	Code No.	Description ; Specification	Remark	Loc. No.	Code No.	Description ; Specification	Remark
C904	2401-002594	C-AL:220uF,20%,16V,GP,TP,8x11.5,5		D202	0401-000005	DIODE-SWITCHING:1N4148,75V,300mA,DO-35,T	
C909	2201-000292	C-CERAMIC,DISC:1nF,10%,50V,Y5P,TP,5x3.5		D203	0401-000005	DIODE-SWITCHING:1N4148,75V,300mA,DO-35,T	
C910	2201-000281	C-CERAMIC,DISC:1nF,79.8,50V,Y5V,TP,4x3.5		D204	0401-000005	DIODE-SWITCHING:1N4148,75V,300mA,DO-35,T	
C911	2201-000247	C-CERAMIC,DISC:15pF,5%,50V,CH,TP,5x3.5		D205	0401-000005	DIODE-SWITCHING:1N4148,75V,300mA,DO-35,T	
C912	2201-000247	C-CERAMIC,DISC:15pF,5%,50V,CH,TP,5x3.5		D211	0401-000005	DIODE-SWITCHING:1N4148,75V,300mA,DO-35,T	
C913	2201-000423	C-CERAMIC,DISC:27pF,5%,50V,NPO,TP,5x3.2		D212	0401-000005	DIODE-SWITCHING:1N4148,75V,300mA,DO-35,T	
C914	2201-000423	C-CERAMIC,DISC:27pF,5%,50V,NPO,TP,5x3.2		D601	0401-000005	DIODE-SWITCHING:1N4148,75V,300mA,DO-35,T	
C917	2201-000611	C-CERAMIC,DISC:56pF,5%,50V,CH,TP,6.5x3.5		D905	0401-000005	DIODE-SWITCHING:1N4148,75V,300mA,DO-35,T	
C918	2401-002594	C-AL:220uF,20%,16V,GP,TP,8x11.5,5		D906	0401-000005	DIODE-SWITCHING:1N4148,75V,300mA,DO-35,T	
C919	2305-000665	C-FILM,MPEF:100nF,5%,63V,TP,7.5x4.0x5.0m		D907	0401-000005	DIODE-SWITCHING:1N4148,75V,300mA,DO-35,T	
C920	2401-001840	C-AL:100uF,20%,16V,GP,TP,6.3x11.5		D908	0401-000005	DIODE-SWITCHING:1N4148,75V,300mA,DO-35,T	
C921	2201-000982	C-CERAMIC,DISC:10nF,+80-20%,50V,Y5V,TP,6		D909	0401-000005	DIODE-SWITCHING:1N4148,75V,300mA,DO-35,T	
C922	2401-000480	C-AL:10uF,20%,50V,GP,TP,5x11.5		D910	0401-000005	DIODE-SWITCHING:1N4148,75V,300mA,DO-35,T	
C923	2201-000146	C-CERAMIC,DISC:100pF,5%,50V,SL,TP,5x3.5		D911	0401-000005	DIODE-SWITCHING:1N4148,75V,300mA,DO-35,T	
C924	2401-000480	C-AL:10uF,20%,50V,GP,TP,5x11.5		D912	0401-000005	DIODE-SWITCHING:1N4148,75V,300mA,DO-35,T	
C925	2401-000480	C-AL:10uF,20%,50V,GP,TP,5x11.5		D914	0401-000005	DIODE-SWITCHING:1N4148,75V,300mA,DO-35,T	
C926	2301-000289	C-FILM,MPEF:5.6nF,5%,50V,TP,7x6x3.5		D915	0401-000005	DIODE-SWITCHING:1N4148,75V,300mA,DO-35,T	
CC01	2401-001840	C-AL:100uF,20%,16V,GP,TP,6.3x11.5		DL201	4711-000205	DELAY LINE:0.140uS,-,TR	
CC02	2401-002462	C-AL:33uF,20%,16V,GP,TP,5x11.5		DZ201	0403-000563	DIODE-ZENER:MTZ9.1B,9.1V,8.57-9.01V,500m	
CC03	2401-002462	C-AL:33uF,20%,16V,GP,TP,5x11.5		DZ203	0403-000355	DIODE-ZENER:UZ5.1BSB,5.1V,4.97-5.18V,500	
CC04	2305-000665	C-FILM,MPEF:100nF,5%,63V,TP,7.5x4.0x5.0m		DZ204	0403-000300	DIODE-ZENER:MTZ8.2B,8.2V,7.78-8.19V,500m	
CC05	2401-000027	C-AL:4.7uF,20%,50V,GP,TP,5x11.5		DZ206	0403-000563	DIODE-ZENER:MTZ9.1B,9.1V,8.57-9.01V,500m	
CC06	2401-001840	C-AL:100uF,20%,16V,GP,TP,6.3x11.5		DZ207	0403-000289	DIODE-ZENER:MTZ10C,10V,9.7-10.2V,500mW,D	
CC07	2306-000122	C-FILM,MPPF:100nF,5%,50V,TP,7.3x4.0x5.0m		DZ208	0403-000654	DIODE-ZENER:MTZ12B,12V,11.44-12.03V,500m	
CC10	2401-000027	C-AL:4.7uF,20%,50V,GP,TP,5x11.5		DZ209	0403-000654	DIODE-ZENER:MTZ12B,12V,11.44-12.03V,500m	
CC11	2401-000027	C-AL:4.7uF,20%,50V,GP,TP,5x11.5		DZ210	0403-000654	DIODE-ZENER:MTZ12B,12V,11.44-12.03V,500m	
CC12	2401-000480	C-AL:10uF,20%,50V,GP,TP,5x11.5		DZ901	0403-000296	DIODE-ZENER:MTZ5.6B,5.6V,5.45-5.73V,500m	
CF01	AA29-10002A	FILTER-COMB,-,UGL-357KNT,NTSC,ST		DZ902	0403-000297	DIODE-ZENER:MTZ6.2B,6.2V,5.96-6.27V,500m	
CN201	3711-002646	CONNECTOR-HEADER:BOX,7P,1R,2.5mm,STRAIGH		DZC01	0403-000563	DIODE-ZENER:MTZ9.1B,9.1V,8.57-9.01V,500m	
CN202	3711-003641	CONNECTOR-HEADER:BOX,12P,1R,2.5mm,STRAIG		IC201	1204-000636	IC-PICTURE PROCESS:TDA4566,DIP,18P,300MI	
CN601	3711-002645	CONNECTOR-HEADER:BOX,6P,1R,2.5MM,STRAIGH		IC202	1204-000530	IC-PAL/NTSC DECODER:TDA9160A,DIP,32P,400	
CN601	AA39-20038D	LEAD-CONNECTOR,ASSY,-,67096-006,S,6P,300		IC203	1204-000464	IC-VIDEO PROCESS:TDA4780,DIP,28P,-,PLAS	
CN701	3710-001155	CONNECTOR-SOCKET:20P,2R,2.54MM,STRAIGHT,		IC204	1209-000214	IC-DELAY LINE:TDA4665,DIP,16P,300MIL,PLA	
CN702	3710-001155	CONNECTOR-SOCKET:20P,2R,2.54MM,STRAIGHT,		IC205	1204-000444	IC-PICTURE PROCESS:TDA9170,DIP,32P,-,PLA	
CN801	3711-000628	CONNECTOR-HEADER:-,11P,1R,2.5mm,STRAIGHT		IC206	1201-000501	IC-VIDEO AMP:14577,DIP,8P,300MIL,CMOS,-5	
CN801	AA39-20160E	LEAD CONNECTOR ASSY:-,67096-011,S,11P,14		IC207	1204-000471	IC-PICTURE PROCESS:ANS5342K,DIP,30P,400MI	
CN901	3711-002641	CONNECTOR-HEADER:BOX,10P,1R,2.54mm,STRAI		IC208	1001-000223	IC-VIDEO SWITCH:TEA5114A,-,DIP,16P,334MI	
CN903	3711-002644	CONNECTOR-HEADER:BOX,5P,1R,2.5mm,STRAIGH		IC8001	1203-000006	IC-POSIFIXED REG.:7808,TO-220,3P,-,PLAS	H/SINK
CN904	3711-002648	CONNECTOR-HEADER:BOX,9P,1R,2.5mm,STRAIGH		IC8002	1203-000274	IC-POSIFIXED REG.:7805,TO-220,3P,-,PLAS	H/SINK
CN905	3711-002642	CONNECTOR-HEADER:BOX,3P,1R,2.5MM,STRAIGH		IC8003	1203-000165	IC-POSIFIXED REG.:78R12,TO-220,3P,-,PLAS	H/SINK
CN906	3711-002642	CONNECTOR-HEADER:BOX,3P,1R,2.5MM,STRAIGH		IC8004	1203-000298	IC-POSIFIXED REG.:7809,TO-220,3P,-,PLAS	H/SINK
CNH02	AA39-20113A	LEAD-CONNECTOR,ASSY:-,YFH806-06,-,6(2)P,		IC901	AA13-30002HC-MCU:-,CX8853P40S-1,8bit,SDIP,-,64P	PIIC	
CNQ01	3711-002644	CONNECTOR-HEADER:BOX,5P,1R,2.5mm,STRAIGH		IC901	AA13-30005F	IC-MCU:SEH	
CNV01	3711-002642	CONNECTOR-HEADER:BOX,3P,1R,2.5MM,STRAIGH		IC902	1103-000118	IC-EEPROM:2408,1Kx8BIT,DIP,8P,300MIL,10m	
CNV01	AA39-20016D	LEAD-CONNECTOR,ASSY:-,67096-003,S,3P,500		IC903	1202-000001	IC-VOLTAGE COMP:7533,TO-92,3P,-,SINGLE	
CNX01	AA39-20010E	LEAD-CONNECTOR,ASSY:-,YFH800-01,S,1P,800		IC903	0801-000961	IC-CMOS LOGIC:4053B,MULTIPLEXER,DIP,16P,3	
CNZ01	3711-002648	CONNECTOR-HEADER:BOX,9P,1R,2.5mm,STRAIGH		ICZ30	1001-000223	IC-VIDEO SWITCH:TEA5114A,-,DIP,16P,334MI	
CNZ01	AA39-20082C	LEAD-CONNECTOR,ASSY:-,67096-009,S,9P,400		ICZ31	1001-000223	IC-VIDEO SWITCH:TEA5114A,-,DIP,16P,334MI	
CP101	2401-000962	C-AL:22uF,20%,50V,GP,TP,5x11.5		IF-C	AA39-30007B	IF-CABLE:-,T,150mm,1365#26	
CP1010	2401-001840	C-AL:100uF,20%,16V,GP,TP,6.3x11.5		L1001	2701-000142	INDUCTOR-AXIAL:1uH,10%,2.5x3.4mm	
CP102	2305-000665	C-FILM,MPEF:100nF,5%,63V,TP,7.5x4.0x5.0m		L1002	2701-000142	INDUCTOR-AXIAL:1uH,10%,2.5x3.4mm	
CP103	2401-001840	C-AL:100uF,20%,16V,GP,TP,6.3x11.5		L1003	2701-000142	INDUCTOR-AXIAL:1uH,10%,2.5x3.4mm	
CP104	2305-000665	C-FILM,MPEF:100nF,5%,63V,TP,7.5x4.0x5.0m		L1004	2701-000114	INDUCTOR-AXIAL:10uH,10%,2.5x3.4mm	
CP105	2401-002235	C-AL:10uF,20%,16V,GP,TP,5x11mm,5mm		L1005	3301-000287	CORE-FERRITE BEAD:AA,3.5x1x6mm,1500,2400	
CP106	2401-001840	C-AL:100uF,20%,16V,GP,TP,6.3x11.5		L101	2701-000115	INDUCTOR-AXIAL:10uH,10%,2.8x7mm	
CP107	2305-000665	C-FILM,MPEF:100nF,5%,63V,TP,7.5x4.0x5.0m		L201	3301-000287	CORE-FERRITE BEAD:AA,3.5x1x6mm,1500,2400	
CP108	2401-001840	C-AL:100uF,20%,16V,GP,TP,6.3x11.5		L202	2701-000115	INDUCTOR-AXIAL:10uH,10%,2.8x7mm	
CP109	2305-000665	C-FILM,MPEF:100nF,5%,63V,TP,7.5x4.0x5.0m		L203	2701-000115	INDUCTOR-AXIAL:10uH,10%,2.8x7mm	
CW901	2503-000158	C-NETWORK:330PFX4,20%,50V,MCCB1H331MX4YT		L204	2701-000162	INDUCTOR-AXIAL:27uH,10%,2.5x3.4mm	
CW902	2503-000159	C-NETWORK:330PFX5,20%,50V,MCCB1H331MX5YT		L205	2701-000223	INDUCTOR-AXIAL:82uH,10%,2.5x3.4MM	
CW903	2503-000161	C-NETWORK:330PFX8,20%,50V,MCCB1H331MX8YT		L206	2701-000114	INDUCTOR-AXIAL:10uH,10%,2.5x3.4mm	
CW904	2503-000158	C-NETWORK:330PFX4,20%,50V,MCCB1H331MX4YT		L207	2701-000162	INDUCTOR-AXIAL:27uH,10%,2.5x3.4mm	
CZ301	2305-000411	C-FILM,MPEF:470nF,5%,50V,TP,7.3x4.8x5.5m		L209	2701-000207	INDUCTOR-AXIAL:56uH,5%,2.5x3.4mm	
CZ302	2305-000411	C-FILM,MPEF:470nF,5%,50V,TP,7.3x4.8x5.5m		L602	2701-000142	INDUCTOR-AXIAL:1uH,10%,2.5x3.4mm	
CZ303	2305-000411	C-FILM,MPEF:470nF,5%,50V,TP,7.3x4.8x5.5m		L603	2701-000142	INDUCTOR-AXIAL:1uH,10%,2.5x3.4mm	
CZ304	2305-000289	C-FILM,MPEF:220nF,5%,63V,TP,-,5mm		L604	2701-000115	INDUCTOR-AXIAL:10uH,10%,2.8x7mm	
CZ305	2305-000289	C-FILM,MPEF:220nF,5%,63V,TP,-,5mm		L902	2701-000114	INDUCTOR-AXIAL:10uH,10%,2.5x3.4mm	
CZ306	2305-000289	C-FILM,MPEF:220nF,5%,63V,TP,-,5mm		L903	AA27-10003G	COIL-CHOKER:30uH,K,50,22.3mA,TP,EL0606R	
CZ307	2305-000289	C-FILM,MPEF:220nF,5%,63V,TP,-,5mm		L904	2701-000115	INDUCTOR-AXIAL:10uH,10%,2.8x7mm	
CZ308	2305-000354	C-FILM,MPEF:330nF,5%,50V,TP,7.3x4.8x5.5M		L906	2701-000114	INDUCTOR-AXIAL:10uH,10%,2.5x3.4mm	
CZ310	2201-000281	C-CERAMIC,DISC:1nF,79.8,50V,Y5V,TP,4x3.5		LP101	2701-000142	INDUCTOR-AXIAL:1uH,10%,2.5x3.4mm	
CZ311	2306-000122	C-FILM,MPPF:100nF,5%,50V,TP,7.3x4.0x5.0m		LP102	2701-000115	INDUCTOR-AXIAL:10uH,10%,2.8x7mm	
CZ312	2401-000302	C-AL:100uF,20%,25V,GP,TP,6.3x11.5		LP103	2701-000142	INDUCTOR-AXIAL:1uH,10%,2.5x3.4mm	
CZ313	2306-000122	C-FILM,MPPF:100nF,5%,50V,TP,7.3x4.0x5.0m		LP104	2701-000142	INDUCTOR-AXIAL:1uH,10%,2.5x3.4mm	
CZ314	2401-000302	C-AL:100uF,20%,25V,GP,TP,6.3x11.5		LP105	2701-000142	INDUCTOR-AXIAL:1uH,10%,2.5x3.4mm	
CZ315	2305-000149	C-FILM,MPEF:100nF,5%,100V,TP,12x12.5x6.5		LP106	2701-000142	INDUCTOR-AXIAL:1uH,10%,2.5x3.4mm	
CZ316	2401-000404	C-AL:10uF,20%,16V,BP,TP,5x11.5		LP108	2701-000115	INDUCTOR-AXIAL:10uH,10%,2.8x7mm	

Electric Parts List

Loc. No.	Code No.	Description ; Specification	Remark	Loc. No.	Code No.	Description ; Specification	Remark
LZ301	2701-000114	INDUCTOR-AXIAL:10uH,10%,2.5x3.4mm		R2127	2001-000405	R-CARBON:180ohm,5%,1/8W,AA,TP,1.8x3.2mm	
LZ302	2701-000114	INDUCTOR-AXIAL:10uH,10%,2.5x3.4mm		R2128	2001-000490	R-CARBON:200ohm,5%,1/8W,AA,TP,1.8x3.2mm	
LZ303	2701-000111	INDUCTOR-AXIAL:100uH,10%,2.5x3.4mm		R2129	2001-000405	R-CARBON:180ohm,5%,1/8W,AA,TP,1.8x3.2mm	
LZ304	2701-000111	INDUCTOR-AXIAL:100uH,10%,2.5x3.4mm		R213	2001-000008	R-CARBON:15Kohm,5%,1/8W,AA,TP,1.8x3.2mm	
LZ305	2701-000111	INDUCTOR-AXIAL:100uH,10%,2.5x3.4mm		R2130	2001-000490	R-CARBON:200ohm,5%,1/8W,AA,TP,1.8x3.2mm	
M101	AA59-40003F	MODULE-LNA:-,LNA1410AF(S),PAL,EU,TR TYPE		R2131	2001-000405	R-CARBON:180ohm,5%,1/8W,AA,TP,1.8x3.2mm	
MODULE	AA59-40003P	MODULE-FOCUS,PACK:-,F300,NTSC,43,64x62,		R2133	2001-000290	R-CARBON:1Kohm,5%,1/8W,AA,TP,1.8x3.2mm	
Q1001	0501-000389	TR-SMALL SIGNAL:KSC815,NPN,400mW,TO-92,T		R2134	2001-000786	R-CARBON:47Kohm,5%,1/8W,AA,TP,1.8x3.2mm	
Q201	0501-000283	TR-SMALL SIGNAL:KSA539,PNP,400mW,TO-92,T		R2135	2001-000786	R-CARBON:47Kohm,5%,1/8W,AA,TP,1.8x3.2mm	
Q202	0501-000283	TR-SMALL SIGNAL:KSA539,PNP,400mW,TO-92,T		R214	2001-000429	R-CARBON:1Kohm,5%,1/8W,AA,TP,1.8x3.2mm	
Q203	0501-000283	TR-SMALL SIGNAL:KSA539,PNP,400mW,TO-92,T		R215	2001-000429	R-CARBON:1Kohm,5%,1/8W,AA,TP,1.8x3.2mm	
Q204	0501-000389	TR-SMALL SIGNAL:KSC815,NPN,400mW,TO-92,T		R217	2001-000786	R-CARBON:47Kohm,5%,1/8W,AA,TP,1.8x3.2mm	
Q205	0501-000389	TR-SMALL SIGNAL:KSC815,NPN,400mW,TO-92,T		R218	2001-000780	R-CARBON:470ohm,5%,1/8W,AA,TP,1.8x3.2mm	
Q206	0501-000389	TR-SMALL SIGNAL:KSC815,NPN,400mW,TO-92,T		R219	2001-001000	R-CARBON:82Kohm,5%,1/8W,AA,TP,1.8x3.2mm	
Q207	0501-000389	TR-SMALL SIGNAL:KSC815,NPN,400mW,TO-92,T		R220	2001-000281	R-CARBON:100ohm,5%,1/8W,AA,TP,1.8x3.2mm	
Q208	0501-000389	TR-SMALL SIGNAL:KSC815,NPN,400mW,TO-92,T		R2201	2001-000515	R-CARBON:220ohm,5%,1/8W,AA,TP,1.8x3.2mm	
Q209	0501-000389	TR-SMALL SIGNAL:KSC815,NPN,400mW,TO-92,T		R2202	2001-000780	R-CARBON:470ohm,5%,1/8W,AA,TP,1.8x3.2mm	
Q210	0501-000389	TR-SMALL SIGNAL:KSC815,NPN,400mW,TO-92,T		R221	2001-000281	R-CARBON:100ohm,5%,1/8W,AA,TP,1.8x3.2mm	
Q211	0501-000389	TR-SMALL SIGNAL:KSC815,NPN,400mW,TO-92,T		R222	2001-000281	R-CARBON:100ohm,5%,1/8W,AA,TP,1.8x3.2mm	
Q212	0501-000389	TR-SMALL SIGNAL:KSC815,NPN,400mW,TO-92,T		R223	2001-000429	R-CARBON:1Kohm,5%,1/8W,AA,TP,1.8x3.2mm	
Q213	0501-000389	TR-SMALL SIGNAL:KSC815,NPN,400mW,TO-92,T		R224	2001-000281	R-CARBON:100ohm,5%,1/8W,AA,TP,1.8x3.2mm	
Q601	0501-000283	TR-SMALL SIGNAL:KSA539,PNP,400mW,TO-92,T		R225	2001-000281	R-CARBON:100ohm,5%,1/8W,AA,TP,1.8x3.2mm	
Q602	0501-000389	TR-SMALL SIGNAL:KSC815,NPN,400mW,TO-92,T		R226	2001-000281	R-CARBON:100ohm,5%,1/8W,AA,TP,1.8x3.2mm	
Q901	0501-000369	TR-SMALL SIGNAL:KSC2331-Y,NPN,1W,TO-92L,		R227	2008-000300	R-FUSIBLE:560ohm,5%,1/2W,AA,TP,4.7x11mm	
Q903	0501-000389	TR-SMALL SIGNAL:KSC815,NPN,400mW,TO-92,T		R228	2001-000281	R-CARBON:100ohm,5%,1/8W,AA,TP,1.8x3.2mm	
Q904	0501-000389	TR-SMALL SIGNAL:KSC815,NPN,400mW,TO-92,T		R229	2001-000281	R-CARBON:100ohm,5%,1/8W,AA,TP,1.8x3.2mm	
Q905	0501-000389	TR-SMALL SIGNAL:KSC815,NPN,400mW,TO-92,T		R230	2001-000281	R-CARBON:100ohm,5%,1/8W,AA,TP,1.8x3.2mm	
Q906	0501-000389	TR-SMALL SIGNAL:KSC815,NPN,400mW,TO-92,T		R231	2001-000281	R-CARBON:100ohm,5%,1/8W,AA,TP,1.8x3.2mm	
Q907	0501-000389	TR-SMALL SIGNAL:KSC815,NPN,400mW,TO-92,T		R232	2001-000281	R-CARBON:100ohm,5%,1/8W,AA,TP,1.8x3.2mm	
Q908	0501-000389	TR-SMALL SIGNAL:KSC815,NPN,400mW,TO-92,T		R233	2001-000645	R-CARBON:330Kohm,5%,1/8W,AA,TP,1.8x3.2m	
Q909	0501-000283	TR-SMALL SIGNAL:KSA539,PNP,400mW,TO-92,T		R234	2001-000281	R-CARBON:100ohm,5%,1/8W,AA,TP,1.8x3.2mm	
Q910	0501-000283	TR-SMALL SIGNAL:KSA539,PNP,400mW,TO-92,T		R235*	2001-001000	R-CARBON:82Kohm,5%,1/8W,AA,TP,1.8x3.2mm	
QC01	0501-000389	TR-SMALL SIGNAL:KSC815,NPN,400mW,TO-92,T		R236	2001-000857	R-CARBON:560ohm,5%,1/8W,AA,TP,1.8x3.2mm	
QC02	0501-000389	TR-SMALL SIGNAL:KSC815,NPN,400mW,TO-92,T		R237	2001-000290	R-CARBON:10Kohm,5%,1/8W,AA,TP,1.8x3.2mm	
QC03	0501-000389	TR-SMALL SIGNAL:KSC815,NPN,400mW,TO-92,T		R238	2001-000290	R-CARBON:10Kohm,5%,1/8W,AA,TP,1.8x3.2mm	
QC04	0501-000283	TR-SMALL SIGNAL:KSA539,PNP,400mW,TO-92,T		R239	2001-000780	R-CARBON:470ohm,5%,1/8W,AA,TP,1.8x3.2mm	
QC05	0501-000389	TR-SMALL SIGNAL:KSC815,NPN,400mW,TO-92,T		R240	2001-000890	R-CARBON:6.8Kohm,5%,1/8W,AA,TP,1.8x3.2m	
QC06	0501-000283	TR-SMALL SIGNAL:KSA539,PNP,400mW,TO-92,T		R241	2001-000812	R-CARBON:5.6Kohm,5%,1/8W,AA,TP,1.8x3.2m	
QZ301	0501-000389	TR-SMALL SIGNAL:KSC815,NPN,400mW,TO-92,T		R242	2001-000281	R-CARBON:100ohm,5%,1/8W,AA,TP,1.8x3.2mm	
R1002	2001-000734	R-CARBON:4.7Kohm,5%,1/8W,AA,TP,1.8x3.2m		R243	2001-000281	R-CARBON:100ohm,5%,1/8W,AA,TP,1.8x3.2mm	
R1003	2001-000734	R-CARBON:4.7Kohm,5%,1/8W,AA,TP,1.8x3.2m		R244	2001-000515	R-CARBON:220ohm,5%,1/8W,AA,TP,1.8x3.2mm	
R1004	2001-000812	R-CARBON:5.6Kohm,5%,1/8W,AA,TP,1.8x3.2m		R245	2001-000515	R-CARBON:220ohm,5%,1/8W,AA,TP,1.8x3.2mm	
R1005	2001-000290	R-CARBON:10Kohm,5%,1/8W,AA,TP,1.8x3.2mm		R248	2001-000522	R-CARBON:22Kohm,5%,1/8W,AA,TP,1.8x3.2mm	
R1006	2001-000429	R-CARBON:1Kohm,5%,1/8W,AA,TP,1.8x3.2mm		R249	2001-000780	R-CARBON:470ohm,5%,1/8W,AA,TP,1.8x3.2mm	
R1007	2001-000857	R-CARBON:560ohm,5%,1/8W,AA,TP,1.8x3.2mm		R250	2001-000734	R-CARBON:4.7Kohm,5%,1/8W,AA,TP,1.8x3.2m	
R201	2001-000008	R-CARBON:15Kohm,5%,1/8W,AA,TP,1.8x3.2mm		R251	2001-000832	R-CARBON:510ohm,5%,1/8W,AA,TP,1.8x3.2mm	
R202	2001-001015	R-CARBON:9.1Kohm,5%,1/8W,AA,TP,1.8x3.2m		R252	2001-000472	R-CARBON:2.7Kohm,5%,1/8W,AA,TP,1.8x3.2m	
R203	2001-000281	R-CARBON:100ohm,5%,1/8W,AA,TP,1.8x3.2mm		R253	2001-000857	R-CARBON:560ohm,5%,1/8W,AA,TP,1.8x3.2mm	
R204	2001-000281	R-CARBON:100ohm,5%,1/8W,AA,TP,1.8x3.2mm		R254	2001-000429	R-CARBON:1Kohm,5%,1/8W,AA,TP,1.8x3.2mm	
R205	2001-000290	R-CARBON:10Kohm,5%,1/8W,AA,TP,1.8x3.2mm		R255	2001-000633	R-CARBON:30Kohm,5%,1/8W,AA,TP,1.8x3.2mm	
R206	2001-000273	R-CARBON:100Kohm,5%,1/8W,AA,TP,1.8x3.2m		R256	2001-000522	R-CARBON:22Kohm,5%,1/8W,AA,TP,1.8x3.2mm	
R208	2001-000864	R-CARBON:56Kohm,5%,1/8W,AA,TP,1.8x3.2mm		R257	2001-000008	R-CARBON:15Kohm,5%,1/8W,AA,TP,1.8x3.2mm	
R210	2001-000563	R-CARBON:27Kohm,5%,1/8W,AA,TP,1.8x3.2mm		R258	2001-000977	R-CARBON:8.2Kohm,5%,1/8W,AA,TP,1.8x3.2m	
R2100	2001-000633	R-CARBON:30Kohm,5%,1/8W,AA,TP,1.8x3.2mm		R259	2001-000800	R-CARBON:5.1Kohm,5%,1/8W,AA,TP,1.8x3.2m	
R2101	2001-000832	R-CARBON:510ohm,5%,1/8W,AA,TP,1.8x3.2mm		R260	2001-000723	R-CARBON:4.3Kohm,5%,1/8W,AA,TP,1.8x3.2m	
R2103	2001-000812	R-CARBON:5.6Kohm,5%,1/8W,AA,TP,1.8x3.2m		R261	2001-000429	R-CARBON:1Kohm,5%,1/8W,AA,TP,1.8x3.2mm	
R2106	2001-000008	R-CARBON:15Kohm,5%,1/8W,AA,TP,1.8x3.2mm		R262	2001-000522	R-CARBON:22Kohm,5%,1/8W,AA,TP,1.8x3.2mm	
R2107	2001-000837	R-CARBON:51Kohm,5%,1/8W,AA,TP,1.8x3.2mm		R263	2001-000258	R-CARBON:1.8Kohm,5%,1/8W,AA,TP,1.8x3.2m	
R2108	2001-000568	R-CARBON:27ohm,5%,1/8W,AA,TP,1.8x3.2mm		R264	2001-000252	R-CARBON:1.6Kohm,5%,1/8W,AA,TP,1.8x3.2m	
R2109	2001-000832	R-CARBON:510ohm,5%,1/8W,AA,TP,1.8x3.2mm		R265	2001-000302	R-CARBON:10ohm,5%,1/8W,AA,TP,1.8x3.2mm	
R211	2004-001914	R-METAL:39Kohm,2%,1/8W,AA,TP,1.8x3.5mm		R266	2001-000633	R-CARBON:30Kohm,5%,1/8W,AA,TP,1.8x3.2mm	
R2110	2001-000568	R-CARBON:27ohm,5%,1/8W,AA,TP,1.8x3.2mm		R267	2001-000008	R-CARBON:15Kohm,5%,1/8W,AA,TP,1.8x3.2mm	
R2111	2001-000832	R-CARBON:510ohm,5%,1/8W,AA,TP,1.8x3.2mm		R268	2001-000857	R-CARBON:560ohm,5%,1/8W,AA,TP,1.8x3.2mm	
R2112	2001-000290	R-CARBON:10Kohm,5%,1/8W,AA,TP,1.8x3.2mm		R269	2001-000660	R-CARBON:33Kohm,5%,1/8W,AA,TP,1.8x3.2mm	
R2113	2001-000786	R-CARBON:47Kohm,5%,1/8W,AA,TP,1.8x3.2mm		R270	2001-000702	R-CARBON:39Kohm,5%,1/8W,AA,TP,1.8x3.2mm	
R2114	2001-000290	R-CARBON:10Kohm,5%,1/8W,AA,TP,1.8x3.2mm		R271	2001-000429	R-CARBON:1Kohm,5%,1/8W,AA,TP,1.8x3.2mm	
R2115	2001-000290	R-CARBON:10Kohm,5%,1/8W,AA,TP,1.8x3.2mm		R272	2001-000605	R-CARBON:3.6Kohm,5%,1/8W,AA,TP,1.8x3.2m	
R2116	2001-000281	R-CARBON:100ohm,5%,1/8W,AA,TP,1.8x3.2mm		R273	2001-000613	R-CARBON:3.9Kohm,5%,1/8W,AA,TP,1.8x3.2m	
R2118	2001-000515	R-CARBON:220ohm,5%,1/8W,AA,TP,1.8x3.2mm		R274	2001-000734	R-CARBON:4.7Kohm,5%,1/8W,AA,TP,1.8x3.2m	
R2119	2001-000515	R-CARBON:220ohm,5%,1/8W,AA,TP,1.8x3.2mm		R275	2001-000786	R-CARBON:47Kohm,5%,1/8W,AA,TP,1.8x3.2mm	
R212	2001-000977	R-CARBON:8.2Kohm,5%,1/8W,AA,TP,1.8x3.2m		R276	2001-001000	R-CARBON:82Kohm,5%,1/8W,AA,TP,1.8x3.2mm	
R2120	2001-000515	R-CARBON:220ohm,5%,1/8W,AA,TP,1.8x3.2mm		R277	2004-001089	R-METAL:560Kohm,5%,1/8W,AA,TP,1.8x3.2m	
R2121	2001-000405	R-CARBON:180ohm,5%,1/8W,AA,TP,1.8x3.2mm		R278	2001-000890	R-CARBON:6.8Kohm,5%,1/8W,AA,TP,1.8x3.2m	
R2122	2001-000995	R-CARBON:820ohm,5%,1/8W,AA,TP,1.8x3.2mm		R279	2001-000429	R-CARBON:1Kohm,5%,1/8W,AA,TP,1.8x3.2mm	
R2123	2001-000995	R-CARBON:820ohm,5%,1/8W,AA,TP,1.8x3.2mm		R281	2001-000429	R-CARBON:1Kohm,5%,1/8W,AA,TP,1.8x3.2mm	
R2124	2001-000995	R-CARBON:820ohm,5%,1/8W,AA,TP,1.8x3.2mm		R282	2001-000347	R-CARBON:13Kohm,5%,1/8W,AA,TP,1.8x3.2mm	
R2126	2001-000490	R-CARBON:200ohm,5%,1/8W,AA,TP,1.8x3.2mm		R284	2001-000429	R-CARBON:1Kohm,5%,1/8W,AA,TP,1.8x3.2mm	

Loc. No.	Code No.	Description ; Specification	Remark	Loc. No.	Code No.	Description ; Specification	Remark
R285	2001-000924	R-CARBON:680ohm,5%,1/8W,AA,TP,1.8x3.2mm		R960	2001-000660	R-CARBON:33Kohm,5%,1/8W,AA,TP,1.8x3.2mm	
R286	2001-000591	R-CARBON:3.3Kohm,5%,1/8W,AA,TP,1.8x3.2m		R961	2001-000554	R-CARBON:270ohm,5%,1/8W,AA,TP,1.8x3.2mm	
R287	2001-000857	R-CARBON:560ohm,5%,1/8W,AA,TP,1.8x3.2mm		R962	2001-000837	R-CARBON:51Kohm,5%,1/8W,AA,TP,1.8x3.2mm	
R288	2001-000281	R-CARBON:100ohm,5%,1/8W,AA,TP,1.8x3.2mm		R963	2001-000837	R-CARBON:51Kohm,5%,1/8W,AA,TP,1.8x3.2mm	
R289	2001-000554	R-CARBON:270ohm,5%,1/8W,AA,TP,1.8x3.2mm		R964	2001-000290	R-CARBON:10Kohm,5%,1/8W,AA,TP,1.8x3.2mm	
R290	2001-000290	R-CARBON:10Kohm,5%,1/8W,AA,TP,1.8x3.2mm		R965	2001-000290	R-CARBON:10Kohm,5%,1/8W,AA,TP,1.8x3.2mm	
R291	2001-000302	R-CARBON:10ohm,5%,1/8W,AA,TP,1.8x3.2mm		R966	2001-000591	R-CARBON:3.3Kohm,5%,1/8W,AA,TP,1.8x3.2m	
R292	2001-000362	R-CARBON:150ohm,5%,1/8W,AA,TP,1.8x3.2mm		R967	2001-000009	R-CARBON:20Kohm,5%,1/8W,AA,TP,1.8x3.2mm	
R293	2001-000429	R-CARBON:1Kohm,5%,1/8W,AA,TP,1.8x3.2mm		R968	2001-000325	R-CARBON:120ohm,5%,1/8W,AA,TP,1.8x3.2mm	
R294	2008-000272	R-FUSIBLE:33ohm,5%,1/2W,AA,TP,2.5x6.5mm		R969	2001-000995	R-CARBON:820ohm,5%,1/8W,AA,TP,1.8x3.2mm	
R295	2001-000281	R-CARBON:100ohm,5%,1/8W,AA,TP,1.8x3.2mm		R970	2001-000995	R-CARBON:820ohm,5%,1/8W,AA,TP,1.8x3.2mm	
R297	2001-001015	R-CARBON:9.1Kohm,5%,1/8W,AA,TP,1.8x3.2m		R971	2001-000995	R-CARBON:820ohm,5%,1/8W,AA,TP,1.8x3.2mm	
R298	2001-000812	R-CARBON:5.6Kohm,5%,1/8W,AA,TP,1.8x3.2m		R972	2001-000290	R-CARBON:10Kohm,5%,1/8W,AA,TP,1.8x3.2mm	
R299	2001-000007	R-CARBON:3Kohm,5%,1/8W,AA,TP,1.8x3.2mm		R973	2001-000290	R-CARBON:10Kohm,5%,1/8W,AA,TP,1.8x3.2mm	
R601	2001-000281	R-CARBON:100ohm,5%,1/8W,AA,TP,1.8x3.2mm		R974	2001-000290	R-CARBON:10Kohm,5%,1/8W,AA,TP,1.8x3.2mm	
R602	2001-000429	R-CARBON:1Kohm,5%,1/8W,AA,TP,1.8x3.2mm		R975	2001-000290	R-CARBON:10Kohm,5%,1/8W,AA,TP,1.8x3.2mm	
R616	2001-000281	R-CARBON:100ohm,5%,1/8W,AA,TP,1.8x3.2mm		R976	2001-000290	R-CARBON:10Kohm,5%,1/8W,AA,TP,1.8x3.2mm	
R8001	2001-000066	R-CARBON(S):10Kohm,5%,1/2W,AA,TP,2.4x6.4		R977	2001-000290	R-CARBON:10Kohm,5%,1/8W,AA,TP,1.8x3.2mm	
R8003	2003-000590	R-METAL OXIDE(S):22ohm,5%,2W,AA,TP,4x12m		R978	2001-000290	R-CARBON:10Kohm,5%,1/8W,AA,TP,1.8x3.2mm	
R8004	2003-000744	R-METAL OXIDE(S):56ohm,5%,2W,AA,TP,4x12m		R979	2001-000429	R-CARBON:1Kohm,5%,1/8W,AA,TP,1.8x3.2mm	
R901	2001-000117	R-CARBON(S):68ohm,5%,1/2W,AA,TP,2.4x6.4m		R980	2001-000429	R-CARBON:1Kohm,5%,1/8W,AA,TP,1.8x3.2mm	
R902	2001-000221	R-CARBON:1.2Kohm,5%,1/8W,AA,TP,1.8x3.2m		R981	2001-000429	R-CARBON:1Kohm,5%,1/8W,AA,TP,1.8x3.2mm	
R903	2001-000449	R-CARBON:2.2Kohm,5%,1/8W,AA,TP,1.8x3.2m		R982	2001-000429	R-CARBON:1Kohm,5%,1/8W,AA,TP,1.8x3.2mm	
R904	2001-000429	R-CARBON:1Kohm,5%,1/8W,AA,TP,1.8x3.2mm		R985	2001-000734	R-CARBON:4.7Kohm,5%,1/8W,AA,TP,1.8x3.2m	
R905	2001-000429	R-CARBON:1Kohm,5%,1/8W,AA,TP,1.8x3.2mm		R986	2001-000734	R-CARBON:4.7Kohm,5%,1/8W,AA,TP,1.8x3.2m	
R906	2001-001093	R-CARBON(S):2.2Kohm,5%,1/2W,AA,TP,2.4x6.		R987	2001-000429	R-CARBON:1Kohm,5%,1/8W,AA,TP,1.8x3.2mm	
R907	2001-001093	R-CARBON(S):2.2Kohm,5%,1/2W,AA,TP,2.4x6.		R988	2001-000515	R-CARBON:220ohm,5%,1/8W,AA,TP,1.8x3.2mm	
R908	2001-001093	R-CARBON(S):2.2Kohm,5%,1/2W,AA,TP,2.4x6.		R989	2001-000515	R-CARBON:220ohm,5%,1/8W,AA,TP,1.8x3.2mm	
R909	2001-001093	R-CARBON(S):2.2Kohm,5%,1/2W,AA,TP,2.4x6.		R990	2001-000515	R-CARBON:220ohm,5%,1/8W,AA,TP,1.8x3.2mm	
R910	2001-000786	R-CARBON:47Kohm,5%,1/8W,AA,TP,1.8x3.2mm		R991	2001-000258	R-CARBON:1.8Kohm,5%,1/8W,AA,TP,1.8x3.2m	
R911	2001-000786	R-CARBON:47Kohm,5%,1/8W,AA,TP,1.8x3.2mm		R992	2001-001088	R-CARBON(S):1Kohm,5%,1/2W,AA,TP,2.4x6.4m	
R912	2001-000290	R-CARBON:10Kohm,5%,1/8W,AA,TP,1.8x3.2mm		R993	2001-000786	R-CARBON:47Kohm,5%,1/8W,AA,TP,1.8x3.2mm	
R913	2001-000429	R-CARBON:1Kohm,5%,1/8W,AA,TP,1.8x3.2mm		R994	2001-000290	R-CARBON:10Kohm,5%,1/8W,AA,TP,1.8x3.2mm	
R914	2001-000362	R-CARBON:150ohm,5%,1/8W,AA,TP,1.8x3.2mm		R995	2001-000290	R-CARBON:10Kohm,5%,1/8W,AA,TP,1.8x3.2mm	
R915	2001-000290	R-CARBON:10Kohm,5%,1/8W,AA,TP,1.8x3.2mm		R996	2001-001197	R-CARBON(S):910ohm,5%,1/2W,AA,TP,2.4x6.4	
R916	2001-000290	R-CARBON:10Kohm,5%,1/8W,AA,TP,1.8x3.2mm		R999	2001-000429	R-CARBON:1Kohm,5%,1/8W,AA,TP,1.8x3.2mm	
R917	2001-000290	R-CARBON:10Kohm,5%,1/8W,AA,TP,1.8x3.2mm		RC01	2008-000272	R-FUSIBLE:33ohm,5%,1/2W,AA,TP,2.5x6.5mm	
R918	2001-000290	R-CARBON:10Kohm,5%,1/8W,AA,TP,1.8x3.2mm		RC02	2001-000290	R-CARBON:10Kohm,5%,1/8W,AA,TP,1.8x3.2mm	
R919	2001-000786	R-CARBON:47Kohm,5%,1/8W,AA,TP,1.8x3.2mm		RC03	2001-000290	R-CARBON:10Kohm,5%,1/8W,AA,TP,1.8x3.2mm	
R920	2001-000429	R-CARBON:1Kohm,5%,1/8W,AA,TP,1.8x3.2mm		RC04	2001-000780	R-CARBON:470ohm,5%,1/8W,AA,TP,1.8x3.2mm	
R921	2001-000429	R-CARBON:1Kohm,5%,1/8W,AA,TP,1.8x3.2mm		RC05	2001-000812	R-CARBON:5.6Kohm,5%,1/8W,AA,TP,1.8x3.2m	
R922	2001-000429	R-CARBON:1Kohm,5%,1/8W,AA,TP,1.8x3.2mm		RC06	2001-000812	R-CARBON:5.6Kohm,5%,1/8W,AA,TP,1.8x3.2m	
R924	2001-000734	R-CARBON:4.7Kohm,5%,1/8W,AA,TP,1.8x3.2m		RC07	2001-000429	R-CARBON:1Kohm,5%,1/8W,AA,TP,1.8x3.2mm	
R925	2001-000429	R-CARBON:1Kohm,5%,1/8W,AA,TP,1.8x3.2mm		RC08	2001-000780	R-CARBON:470ohm,5%,1/8W,AA,TP,1.8x3.2mm	
R926	2001-000786	R-CARBON:47Kohm,5%,1/8W,AA,TP,1.8x3.2mm		RC09	2001-000118	R-CARBON(S):180ohm,5%,1/2W,AA,TP,2.4x6.4	
R927	2001-000429	R-CARBON:1Kohm,5%,1/8W,AA,TP,1.8x3.2mm		RC10	2001-000429	R-CARBON:1Kohm,5%,1/8W,AA,TP,1.8x3.2mm	
R928	2001-000429	R-CARBON:1Kohm,5%,1/8W,AA,TP,1.8x3.2mm		RC11	2001-000376	R-CARBON:15ohm,5%,1/8W,AA,TP,1.8x3.2mm	
R929	2001-000786	R-CARBON:47Kohm,5%,1/8W,AA,TP,1.8x3.2mm		RC12	2001-001077	R-CARBON(S):150ohm,5%,1/2W,AA,TP,2.4x6.4	
R930	2001-000786	R-CARBON:47Kohm,5%,1/8W,AA,TP,1.8x3.2mm		RC13	2001-000969	R-CARBON:75ohm,5%,1/8W,AA,TP,1.8x3.2mm	
R931	2001-000786	R-CARBON:47Kohm,5%,1/8W,AA,TP,1.8x3.2mm		RC14	2001-000969	R-CARBON:75ohm,5%,1/8W,AA,TP,1.8x3.2mm	
R932	2001-000786	R-CARBON:47Kohm,5%,1/8W,AA,TP,1.8x3.2mm		RC15	2001-000969	R-CARBON:75ohm,5%,1/8W,AA,TP,1.8x3.2mm	
R933	2001-000429	R-CARBON:1Kohm,5%,1/8W,AA,TP,1.8x3.2mm		RC16	2001-000969	R-CARBON:75ohm,5%,1/8W,AA,TP,1.8x3.2mm	
R934	2001-000241	R-CARBON:1.5Kohm,5%,1/8W,AA,TP,1.8x3.2m		RC17	2001-000837	R-CARBON:51Kohm,5%,1/8W,AA,TP,1.8x3.2mm	
R935	2001-000290	R-CARBON:10Kohm,5%,1/8W,AA,TP,1.8x3.2mm		RC18	2001-000837	R-CARBON:51Kohm,5%,1/8W,AA,TP,1.8x3.2mm	
R936	2001-000947	R-CARBON:7.5Kohm,5%,1/8W,AA,TP,1.8x3.2m		RC19	2001-000837	R-CARBON:51Kohm,5%,1/8W,AA,TP,1.8x3.2mm	
R937	2001-000429	R-CARBON:1Kohm,5%,1/8W,AA,TP,1.8x3.2mm		RC20	2001-000837	R-CARBON:51Kohm,5%,1/8W,AA,TP,1.8x3.2mm	
R938	2001-000734	R-CARBON:4.7Kohm,5%,1/8W,AA,TP,1.8x3.2m		RC25	2001-000429	R-CARBON:1Kohm,5%,1/8W,AA,TP,1.8x3.2mm	
R939	2001-000281	R-CARBON:100ohm,5%,1/8W,AA,TP,1.8x3.2mm		RC26	2001-000605	R-CARBON:3.6Kohm,5%,1/8W,AA,TP,1.8x3.2m	
R940	2001-000281	R-CARBON:100ohm,5%,1/8W,AA,TP,1.8x3.2mm		RC27	2001-000429	R-CARBON:1Kohm,5%,1/8W,AA,TP,1.8x3.2mm	
R941	2001-000281	R-CARBON:100ohm,5%,1/8W,AA,TP,1.8x3.2mm		RP102	2001-000429	R-CARBON:1Kohm,5%,1/8W,AA,TP,1.8x3.2mm	
R942	2001-000281	R-CARBON:100ohm,5%,1/8W,AA,TP,1.8x3.2mm		RP103	2001-000734	R-CARBON:4.7Kohm,5%,1/8W,AA,TP,1.8x3.2m	
R943	2001-000734	R-CARBON:4.7Kohm,5%,1/8W,AA,TP,1.8x3.2m		RP104	2001-000734	R-CARBON:4.7Kohm,5%,1/8W,AA,TP,1.8x3.2m	
R944	2001-000449	R-CARBON:2.2Kohm,5%,1/8W,AA,TP,1.8x3.2m		RT101	2001-000281	R-CARBON:100ohm,5%,1/8W,AA,TP,1.8x3.2mm	
R945	2001-000734	R-CARBON:4.7Kohm,5%,1/8W,AA,TP,1.8x3.2m		RT102	2001-000281	R-CARBON:100ohm,5%,1/8W,AA,TP,1.8x3.2mm	
R946	2001-000449	R-CARBON:2.2Kohm,5%,1/8W,AA,TP,1.8x3.2m		RZ301	2001-000290	R-CARBON:10Kohm,5%,1/8W,AA,TP,1.8x3.2mm	
R947	2001-000429	R-CARBON:1Kohm,5%,1/8W,AA,TP,1.8x3.2mm		RZ302	2001-000290	R-CARBON:10Kohm,5%,1/8W,AA,TP,1.8x3.2mm	
R948	2001-000290	R-CARBON:10Kohm,5%,1/8W,AA,TP,1.8x3.2mm		RZ303	2001-000290	R-CARBON:10Kohm,5%,1/8W,AA,TP,1.8x3.2mm	
R949	2001-000290	R-CARBON:10Kohm,5%,1/8W,AA,TP,1.8x3.2mm		RZ306	2001-000405	R-CARBON:180ohm,5%,1/8W,AA,TP,1.8x3.2mm	
R950	2001-000281	R-CARBON:100ohm,5%,1/8W,AA,TP,1.8x3.2mm		RZ307	2001-000405	R-CARBON:180ohm,5%,1/8W,AA,TP,1.8x3.2mm	
R951	2001-000281	R-CARBON:100ohm,5%,1/8W,AA,TP,1.8x3.2mm		RZ308	2001-000405	R-CARBON:180ohm,5%,1/8W,AA,TP,1.8x3.2mm	
R952	2001-000281	R-CARBON:100ohm,5%,1/8W,AA,TP,1.8x3.2mm		RZ310	2001-000857	R-CARBON:560ohm,5%,1/8W,AA,TP,1.8x3.2mm	
R953	2001-000281	R-CARBON:100ohm,5%,1/8W,AA,TP,1.8x3.2mm		RZ311	2001-000857	R-CARBON:560ohm,5%,1/8W,AA,TP,1.8x3.2mm	
R954	2001-000331	R-CARBON:12Kohm,5%,1/8W,AA,TP,1.8x3.2mm		RZ312	2001-000857	R-CARBON:560ohm,5%,1/8W,AA,TP,1.8x3.2mm	
R955	2001-000786	R-CARBON:47Kohm,5%,1/8W,AA,TP,1.8x3.2mm		RZ313	2001-000812	R-CARBON:5.6Kohm,5%,1/8W,AA,TP,1.8x3.2m	
R956	2001-000812	R-CARBON:5.6Kohm,5%,1/8W,AA,TP,1.8x3.2m		RZ314	2001-000812	R-CARBON:5.6Kohm,5%,1/8W,AA,TP,1.8x3.2m	
R958	2001-000290	R-CARBON:10Kohm,5%,1/8W,AA,TP,1.8x3.2mm		RZ315	2001-000812	R-CARBON:5.6Kohm,5%,1/8W,AA,TP,1.8x3.2m	
R959	2001-000786	R-CARBON:47Kohm,5%,1/8W,AA,TP,1.8x3.2mm		RZ316	2001-001187	R-CARBON(S):75ohm,5%,1/2W,AA,TP,2.4x6.4m	

Loc. No.	Code No.	Description ; Specification	Remark	Loc. No.	Code No.	Description ; Specification	Remark
RZ317	2001-000405	R-CARBON:180ohm,5%,1/8W,AA,TP,1.8x3.2mm		SPACER	AA63-60111A	SPACER-CRT:EPDM,-,-,-,S4388,5288,-	
RZ318	2001-000857	R-CARBON:560ohm,5%,1/8W,AA,TP,1.8x3.2mm		SPACER	AA63-60059A	SPACER-FELT:FELT,TO.5,BLK,CRT,-,-	
RZ319	2001-000429	R-CARBON:1Kohm,5%,1/8W,AA,TP,1.8x3.2mm		SPACER	AA63-60046A	SPACER-OIL,RING:EPDM,-,-,-,S4388,-	
RZ320	2001-001187	R-CARBON(S):75ohm,5%,1/2W,AA,TP,2.4x6.4mm		SPACER	AA63-60039A	SPACER-LENS:SPONGE,T2.0,BLK,W110,S4388,-	
RZ323	2001-000028	R-CARBON(S):100ohm,5%,1/2W,AA,TP,2.4x6.4mm		SPACER	AA63-60025A	SPACER-DY:NEOPRENE,-,BLK,VO,S4388,-	
RZ324	2001-001107	R-CARBON(S):220ohm,5%,1/2W,AA,TP,2.4x6.4mm		BRKT/A	AA91-40086A	ASSY-BRACKET,CRT:SECC,T1.6,S4388	
RZ330	2001-000429	R-CARBON:1Kohm,5%,1/8W,AA,TP,1.8x3.2mm		BRKT/A	AA61-10381A	BRACKET-CRT,-,S4388,5288,SECC,T1.6,-,-,-	
RZ331	2001-001187	R-CARBON(S):75ohm,5%,1/2W,AA,TP,2.4x6.4mm		LENS	AA67-10007A	LENS,-,DELTA,CLEAR,PJT,-,77,79,-	
TU101	AA40-10002N	TUNER-F/S,-,TECC0889PA19C,PAL-MULTI,TR,1		LENS	AA67-10005A	LENS-ASSY,-,DELTA,CLEAR,S4388,-,77,-	
TUP01	AA40-10002N	TUNER-F/S,-,TECC0889PA19C,PAL-MULTI,TR,1		HOLDER	AA61-20125A	HOLDER-SPACER,-,S43.5288,ABS,HB,BLK,HR-0	
X201	2801-000235	CRYSTAL-UNIT:3.579545MHZ,40ppm,28-AAAM,S		BRKT	AA61-10030A	BRACKET-LENS,-,S4388,SECC,T1.6,-,-,-	
X202	2801-000274	CRYSTAL-UNIT:4.433619MHZ,30PPM,28-AAAM,20		SCREW	AA60-10050L	SCREW-MACHINE,-,-,-,M8,L16,-,-,STS304,SV	
X901	2801-001480	CRYSTAL-UNIT:4.194304MHZ,20ppm,28-ABQ,12		SCREW	AA60-10050M	SCREW-ASSY,-,HH,+M6,L16,SWRCH18A,ZPC(YE	
				SPACER	AA63-60125A	SPACER-C,ELEMENT:EPDM,3.2,BLK,-,PROJECTI	
				D/Y	AA27-50003W	DEFLECTION-YOKE,-,DPD-4274BL-A,46/PJT,-	

ASSY-ACCESSORY

RCA/CA	AA39-40001B	CABLE-RCA,-,RCA,1500mm,0.12/10,RED/WHT/Y
HOLDER	AA61-20126A	HOLDER-LEG,-,-,ABS,HB,BLK,-
I/B	AA68-10759A	MANUAL-USERS:S/W120(G)-,-,ENG SPT51A,43
I/B	AA68-10760A	MANUAL-USERS:S/W120(G)-,-,ARAB SPT51A,44

ASSY-PCB,POWER

*	AA95-10008P	PASSY-PCB,POWER:SPM5288PF/SVIX,SPT51A,52	PIIC
*	AA95-10002H	PASSY-PCB,POWER:SPM5288PF,SPT51A,-,-,-,-	SEH

ASSY-CRT

*	AA94-50015H	ASSY-CRT:16LFM00REA,+380MG,7,BARE,SVP-
C/Y	AA27-60003C	MAGNET-CONVERGENCE,-,JH92LTU-SC-20,29,1m
BHL+CR	6001-000059	SCREW-MACHINE:TH,+M4,L10,ZPC(BLK),SWRCH
LA+CR	6001-000059	SCREW-MACHINE:TH,+M4,L10,ZPC(BLK),SWRCH
SCREW	AA60-10050L	SCREW-MACHINE,-,-,-,M8,L16,-,-,STS304,SV
HOLDER	AA61-20125A	HOLDER-SPACER,-,S43.5288,ABS,HB,BLK,HR-0
SPACER	AA63-60039A	SPACER-LENS:SPONGE,T2.0,BLK,W110,S4388,-
BRKT/A	AA91-40086A	ASSY-BRACKET,CRT:SECC,T1.6,S4388
LENS	AA67-10008A	LENS,-,DELTA,RED,PJT,-,77,79,-
LENS/A	AA67-10005A	LENS-ASSY,-,DELTA,CLEAR,S4388,-,77,-
CASE-C	AA64-31028A	CASE-COUPLER,R/B,-,S4388,5288,-,ALDC8,-
SPACER	AA63-60111A	SPACER-CRT:EPDM,-,-,-,S4388,5288,-
SPACER	AA63-60059A	SPACER-FELT:FELT,TO.5,BLK,CRT,-,-
SPACER	AA63-60046A	SPACER-OIL,RING:EPDM,-,-,-,S4388,-
SP-DY	AA63-60025A	SPACER-DY:NEOPRENE,-,BLK,VO,S4388,-
BRKT/A	AA61-10030A	BRACKET-LENS,-,S4388,SECC,T1.6,-,-,-
CRT	AA03-10021K	CRT-MONO:-,P16LFM00RFA(AU)-,-,7,90DEG,9
SCREW	AA60-10050M	SCREW-ASSY,-,HH,+M6,L16,SWRCH18A,ZPC(YE
SPACER	AA63-60125A	SPACER-C,ELEMENT:EPDM,3.2,BLK,-,PROJECTI
D/Y	AA27-50003W	DEFLECTION-YOKE,-,DPD-4274BL-A,46/PJT,-

ASSY-CRT

*	AA94-50015J	ASSY-CRT:16LFM00HLA,+380MG,7,BARE,SVP-
C/Y	AA27-60003C	MAGNET-CONVERGENCE,-,JH92LTU-SC-20,29,1m
LA+CR	6001-000059	SCREW-MACHINE:TH,+M4,L10,ZPC(BLK),SWRCH
BHL+CR	6001-000059	SCREW-MACHINE:TH,+M4,L10,ZPC(BLK),SWRCH
SPACER	AA63-60111A	SPACER-CRT:EPDM,-,-,-,S4388,5288,-
SPACER	AA63-60059A	SPACER-FELT:FELT,TO.5,BLK,CRT,-,-
SPACER	AA63-60046A	SPACER-OIL,RING:EPDM,-,-,-,S4388,-
SPACER	AA63-60039A	SPACER-LENS:SPONGE,T2.0,BLK,W110,S4388,-
SPACER	AA63-60025A	SPACER-DY:NEOPRENE,-,BLK,VO,S4388,-
BRKT/A	AA91-40086A	ASSY-BRACKET,CRT:SECC,T1.6,S4388
BRKT	AA61-10381A	BRACKET-CRT,-,S4388,5288,SECC,T1.6,-,-,-
LENS	AA67-10007A	LENS,-,DELTA,CLEAR,PJT,-,77,79,-
LENS/A	AA67-10006A	LENS-ASSY,-,DELTA,GREEN,S4388,-,77,-
HOLDER	AA61-20125A	HOLDER-SPACER,-,S43.5288,ABS,HB,BLK,HR-0
BRKT	AA61-10030A	BRACKET-LENS,-,S4388,SECC,T1.6,-,-,-
SCREW	AA60-10050L	SCREW-MACHINE,-,-,-,M8,L16,-,-,STS304,SV
CRT	AA03-10021L	CRT-MONO:-,P16LFM00HLA(AU)-,-,7,90DEG,9
SCREW	AA60-10050M	SCREW-ASSY,-,HH,+M6,L16,SWRCH18A,ZPC(YE
SPACER	AA63-60125A	SPACER-C,ELEMENT:EPDM,3.2,BLK,-,PROJECTI
D/Y	AA27-50003W	DEFLECTION-YOKE,-,DPD-4274BL-A,46/PJT,-

ASSY-CRT

*	AA94-50015K	ASSY-CRT:16LFM00BMB,+380MG,7,BARE,SVP-
CRT	AA03-10021N	CRT-MONO:-,P16LFM00BMB(U)-,-,7,90DEG,90
C/Y	AA27-60003C	MAGNET-CONVERGENCE,-,JH92LTU-SC-20,29,1m
BHL+CR	6001-000059	SCREW-MACHINE:TH,+M4,L10,ZPC(BLK),SWRCH
LA+CR	6001-000059	SCREW-MACHINE:TH,+M4,L10,ZPC(BLK),SWRCH

C801	2401-003031	C-AL:470uF,20%,450V,GP,BK,35x45mm,1
C802	2401-003031	C-AL:470uF,20%,450V,GP,BK,35x45mm,1
C803	2306-000323	C-FILM,MPPF:2.2nF,5%,1.6KV,TP,28.5x15.5x
C804	2401-003065	C-AL:470uF,20%,50V,LZ,TP,13x25mm,5m
C805	2401-002262	C-AL:10uF,20%,160V,WT,TP,10x20,5
C806	2201-000281	C-CERAMIC,DISC:1nF,79.8,50V,Y5V,TP,4x3.5
C807	2401-002274	C-AL:220uF,20%,35V,WT,TP,10x12.5,5
C808	2306-000318	C-FILM,MPPF:220nF,20%,275V,TP,-,22.5mm
C809	2306-000318	C-FILM,MPPF:220nF,20%,275V,TP,-,22.5mm
C811	2201-000332	C-CERAMIC,DISC:2.2nF,20%,250VAC,Y5U,TP,1
C812	2201-000332	C-CERAMIC,DISC:2.2nF,20%,250VAC,Y5U,TP,1
C813	2401-002223	C-AL:220uF,20%,450V,GP,ST,30x40,10
C814	2401-002274	C-AL:220uF,20%,35V,WT,TP,10x12.5,5
C815	2306-000323	C-FILM,MPPF:2.2nF,5%,1.6KV,TP,28.5x15.5x
C816	2401-003065	C-AL:470uF,20%,50V,LZ,TP,13x25mm,5m
C817	2401-000045	C-AL:10uF,20%,160V,GP,TP,10x16,5
C818	2201-000281	C-CERAMIC,DISC:1nF,79.8,50V,Y5V,TP,4x3.5
C819	2201-000987	C-CERAMIC,DISC:2.2nF,20%,400V,Y5U,TP,15x
C824	2201-000467	C-CERAMIC,DISC:330pF,10%,2KV,Y5P,TP,8x6
C851	2201-000991	C-CERAMIC,DISC:560pF,10%,2KV,Y5P,TP,13x7
C852	2401-002251	C-AL:470uF,20%,200V,GP,BK,25x40mm,1
C853	2401-001482	C-AL:47uF,20%,160V,GP,TP,13x25,5
C854	2401-003024	C-AL:220uF,20%,200V,WT,TP,22x35,10
C855	2201-000132	C-CERAMIC,DISC:100pF,10%,500V,Y5P,TP,6x4
C856	2401-002215	C-AL:2200uF,20%,25V,WT,TP,13x25,5
C857	2201-000132	C-CERAMIC,DISC:100pF,10%,500V,Y5P,TP,6x4
C858	2201-000132	C-CERAMIC,DISC:100pF,10%,500V,Y5P,TP,6x4
C859	2401-001068	C-AL:3300uF,20%,50V,GP,BK,22x40,10
C860	2401-001998	C-AL:1000uF,20%,25V,GP,TP,10x20,5mm
C861	2401-002216	C-AL:2200uF,20%,35V,GP,TP,16x25,7,5
C862	2401-000133	C-AL:1000uF,20%,16V,GP,TP,10x20,5
C863	2401-001998	C-AL:1000uF,20%,25V,GP,TP,10x20,5mm
C864	2305-000411	C-FILM,MPEF:470nF,5%,50V,TP,7.3x4.8x5.5mm
C865	2401-001115	C-AL:330uF,20%,25V,GP,TP,10x12.5,5
C866	2301-000356	C-FILM,PEF:47nF,5%,50V,TP,7.5x4.0x6.5,5m
C867	2201-000132	C-CERAMIC,DISC:100pF,10%,500V,Y5P,TP,6x4
C868	2401-000737	C-AL:2200uF,20%,50V,GP,TP,18x35,5,7
C869	2401-000192	C-AL:1000uF,20%,50V,GP,TP,16x25,7,5
C870	2401-000192	C-AL:1000uF,20%,50V,GP,TP,16x25,7,5
C871	2201-000292	C-CERAMIC,DISC:1nF,10%,50V,Y5P,TP,5x3,5
C872	2401-000737	C-AL:2200uF,20%,50V,GP,TP,18x35,5,7
C873	2401-000192	C-AL:1000uF,20%,50V,GP,TP,16x25,7,5
C874	2401-000192	C-AL:1000uF,20%,50V,GP,TP,16x25,7,5
C875	2201-000292	C-CERAMIC,DISC:1nF,10%,50V,Y5P,TP,5x3,5
C876	2201-000132	C-CERAMIC,DISC:100pF,10%,500V,Y5P,TP,6x4
C877	2201-000132	C-CERAMIC,DISC:100pF,10%,500V,Y5P,TP,6x4
C878	2401-000737	C-AL:2200uF,20%,50V,GP,TP,18x35,5,7
C879	2401-001429	C-AL:470uF,20%,50V,GP,TP,13x20,5
C880	2305-000289	C-FILM,MPEF:220nF,5%,63V,TP,-,5mm
C881	2201-000132	C-CERAMIC,DISC:100pF,10%,500V,Y5P,TP,6x4
C882	2305-000411	C-FILM,MPEF:470nF,5%,50V,TP,7.3x4.8x5.5mm
C883	2301-000192	C-FILM,PEF:1nF,5%,50V,TP,5.3x10mm,5mm
C884	2401-000737	C-AL:2200uF,20%,50V,GP,TP,18x35,5,7
C885	2401-001429	C-AL:470uF,20%,50V,GP,TP,13x20,5
C887	2401-000962	C-AL:22uF,20%,50V,GP,TP,5x11,5

Loc. No.	Code No.	Description ; Specification	Remark	Loc. No.	Code No.	Description ; Specification	Remark
C888	2306-000122	C-FILM,MPPF;100nf,5%,50V,TP,7.3x4.0x5.0m		HC851	1203-000580	IC-POWER PRESCALER:130,TO-220,3P,-,PLAST	
C889	2201-000132	C-CERAMIC,DISC;100pF,10%,500V,Y5P,TP,6x4		HC852	1203-000187	IC-POS.ADJUST REG.;431,TO-92,3P,-,PLAST	
C894	2201-000991	C-CERAMIC,DISC;560pF,10%,2KV,Y5P,TP,13x7		L801	3301-000287	CORE-FERRITE BEAD;AA,3.5x1x6mm,1500,2400	
C895	2401-001397	C-AL;470uF,20%,25V,GP,TP,10x16.5		L801A	3301-000287	CORE-FERRITE BEAD;AA,3.5x1x6mm,1500,2400	
CN801	3711-000628	CONNECTOR-HEADER;-;11P,1R,2.5mm,STRAIGHT		L802	2902-001001	FILTER-LINE;2mH,+-3TURNS,0.233ohm	PIIC
CN802	3711-002644	CONNECTOR-HEADER;BOX,5P,1R,2.5mm,STRAIGH		L802	AA29-30001Z	FILTER-LINE;-;10mH,2.8A,-,SQE3535	SEH
CN802	AA39-20020H	LEAD-CONNECTOR,ASSY;-;67096-005,S,5P,140		L803	2902-001001	FILTER-LINE;2mH,+-3TURNS,0.233ohm	PIIC
CN803	AA39-20165A	LEAD CONNECTOR-ASSY;-;YFH806-06,S,6P,130		L803	AA29-30001Z	FILTER-LINE;-;10mH,2.8A,-,SQE3535	SEH
CN804	AA39-20164A	LEAD CONNECTOR-ASSY;-;YFH806-05,S,5P,500		L804	2902-001001	FILTER-LINE;2mH,+-3TURNS,0.233ohm	PIIC
D801	0402-000546	DIODE-RECTIFIER;TVR10G,400V,1.0A,DO-41,T		L804	AA29-30001Z	FILTER-LINE;-;10mH,2.8A,-,SQE3535	SEH
D802	0402-000546	DIODE-RECTIFIER;TVR10G,400V,1.0A,DO-41,T		L805	3301-000287	CORE-FERRITE BEAD;AA,3.5x1x6mm,1500,2400	
D803	0402-000546	DIODE-RECTIFIER;TVR10G,400V,1.0A,DO-41,T		L806	3301-000287	CORE-FERRITE BEAD;AA,3.5x1x6mm,1500,2400	
D804	0402-000546	DIODE-RECTIFIER;TVR10G,400V,1.0A,DO-41,T		L807	3301-000287	CORE-FERRITE BEAD;AA,3.5x1x6mm,1500,2400	
D805	0402-000546	DIODE-RECTIFIER;TVR10G,400V,1.0A,DO-41,T		L848	2902-001001	FILTER-LINE;2mH,+-3TURNS,0.233ohm	PIIC
D806	0402-000493	DIODE-RECTIFIER;1R5GU41,400V,1.5A,DO-15L		L848	AA29-30001Z	FILTER-LINE;-;10mH,2.8A,-,SQE3535	SEH
D807	0402-000213	DIODE-RECTIFIER;ERB12-06,600V,1.0A,DO-41		L849	2902-001001	FILTER-LINE;2mH,+-3TURNS,0.233ohm	PIIC
D808	0402-000549	DIODE-BRIDGE;RBV606,600V,6A,-,BK	H/SINK	L849	AA29-30001Z	FILTER-LINE;-;10mH,2.8A,-,SQE3535	SEH
D809	1405-000152	VARIATOR;560V,2500A,14x8.5mm,TP		L851	3301-000287	CORE-FERRITE BEAD;AA,3.5x1x6mm,1500,2400	
D810	1405-000152	VARIATOR;560V,2500A,14x8.5mm,TP		L852	3301-000287	CORE-FERRITE BEAD;AA,3.5x1x6mm,1500,2400	
D811	0402-000213	DIODE-RECTIFIER;ERB12-06,600V,1.0A,DO-41		L853	AA27-10002L	COIL-CHOKE;-;24UH,K,-,2A,-,24UH-K,10X10M	
D812	0402-000546	DIODE-RECTIFIER;TVR10G,400V,1.0A,DO-41,T		L854	3301-000287	CORE-FERRITE BEAD;AA,3.5x1x6mm,1500,2400	
D813	0402-000546	DIODE-RECTIFIER;TVR10G,400V,1.0A,DO-41,T		L855	3301-000287	CORE-FERRITE BEAD;AA,3.5x1x6mm,1500,2400	
D814	0402-000546	DIODE-RECTIFIER;TVR10G,400V,1.0A,DO-41,T		L856	3301-000287	CORE-FERRITE BEAD;AA,3.5x1x6mm,1500,2400	
D815	0402-000546	DIODE-RECTIFIER;TVR10G,400V,1.0A,DO-41,T		L857	AA27-10001C	COIL-CHOKE;-;100uH,K,-,5.0A,ST,700UH-K(R	
D817	0402-000493	DIODE-RECTIFIER;1R5GU41,400V,1.5A,DO-15L		L858	AA27-10002L	COIL-CHOKE;-;24UH,K,-,2A,-,24UH-K,10X10M	
D818	0401-000005	DIODE-SWITCHING;1N4148,75V,300mA,DO-35,T		L859	3301-000287	CORE-FERRITE BEAD;AA,3.5x1x6mm,1500,2400	
D819	0401-000005	DIODE-SWITCHING;1N4148,75V,300mA,DO-35,T		L860	AA27-10001C	COIL-CHOKE;-;100uH,K,-,5.0A,ST,700UH-K(R	
D851	0402-000231	DIODE-RECTIFIER;FMG-G26S,600V,4A,TO-220F	H/SINK	L861	3301-000287	CORE-FERRITE BEAD;AA,3.5x1x6mm,1500,2400	
D852	0402-000493	DIODE-RECTIFIER;1R5GU41,400V,1.5A,DO-15L		L862	AA27-10001C	COIL-CHOKE;-;100uH,K,-,5.0A,ST,700UH-K(R	
D853	0402-000544	DIODE-RECTIFIER;RU4Y,100V,2A,-		L863	3301-000287	CORE-FERRITE BEAD;AA,3.5x1x6mm,1500,2400	
D854	0402-000233	DIODE-RECTIFIER;FML-G12S,200V,5A,-,-	H/SINK	L864	AA27-10001C	COIL-CHOKE;-;100uH,K,-,5.0A,ST,700UH-K(R	
D855	0402-000132	DIODE-RECTIFIER;1N4004,400V,1A,DO-41,TP		L865	3301-000287	CORE-FERRITE BEAD;AA,3.5x1x6mm,1500,2400	
D856	0402-000233	DIODE-RECTIFIER;FML-G12S,200V,5A,-,-	H/SINK	L866	AA27-10001C	COIL-CHOKE;-;100uH,K,-,5.0A,ST,700UH-K(R	
D857	0402-000546	DIODE-RECTIFIER;TVR10G,400V,1.0A,DO-41,T		L867	2701-000115	INDUCTOR-AXIAL;10uH,10%,2.8x7mm	
D858	0402-000132	DIODE-RECTIFIER;1N4004,400V,1A,DO-41,TP		L870	3301-000287	CORE-FERRITE BEAD;AA,3.5x1x6mm,1500,2400	
D859	0402-000233	DIODE-RECTIFIER;FML-G12S,200V,5A,-,-	H/SINK	NT801	1404-001045	THERMISTOR-NTC;4.7OHM,15%,2900K,35.0MW,T	
D860	0402-000233	DIODE-RECTIFIER;FML-G12S,200V,5A,-,-	H/SINK	NT802	1404-001045	THERMISTOR-NTC;4.7OHM,15%,2900K,35.0MW,T	
D861	0402-000233	DIODE-RECTIFIER;FML-G12S,200V,5A,-,-	H/SINK	PC801	0604-001038	PHOTO-COUPLER;TR,130-260%,200mW,DIP-4,ST	
D862	0402-000233	DIODE-RECTIFIER;FML-G12S,200V,5A,-,-	H/SINK	PC802	0604-001038	PHOTO-COUPLER;TR,130-260%,200mW,DIP-4,ST	
D863	0402-000132	DIODE-RECTIFIER;1N4004,400V,1A,DO-41,TP		Q801	0503-000153	TR-DARLINGTON;TIP102,NPN,2W,TO-220,TP,10	
D865	0402-000132	DIODE-RECTIFIER;1N4004,400V,1A,DO-41,TP		Q802	0503-000153	TR-DARLINGTON;TIP102,NPN,2W,TO-220,TP,10	
DZ801	0403-000299	DIODE-ZENER;MTZ7.5C,7.5V,7.29-7.67V,500m		Q851	0502-000244	TR-POWER;KSA940,PNP,1.5W,TO-220,-,40-14	
DZ802	0403-000299	DIODE-ZENER;MTZ7.5C,7.5V,7.29-7.67V,500m		Q852	0501-000366	TR-SMALL SIGNAL;KSC2330-Y,NPN,1W,TO-92L,	
DZ803	0403-000656	DIODE-ZENER;MTZ15C,15V,14.35-15.09V,500m		Q853	0501-000366	TR-SMALL SIGNAL;KSC2330-Y,NPN,1W,TO-92L,	
DZ804	0403-000662	DIODE-ZENER;MTZ3.0B,3.0V,3.01-3.22V,500m		Q854	0501-000369	TR-SMALL SIGNAL;KSC2331-Y,NPN,1W,TO-92L,	
DZ805	0403-000656	DIODE-ZENER;MTZ15C,15V,14.35-15.09V,500m		Q855	0501-000366	TR-SMALL SIGNAL;KSC2330-Y,NPN,1W,TO-92L,	
DZ806	0403-000662	DIODE-ZENER;MTZ3.0B,3.0V,3.01-3.22V,500m		R801	2006-000296	R-CEMENT;11ohm,5%,5W,CH,BK,9.5x27x9.5mm	
DZ851	0403-000656	DIODE-ZENER;MTZ15C,15V,14.35-15.09V,500m		R801A	2001-001078	R-CARBON(S);15Kohm,5%,1/2W,AA,TP,2.4x6.4	
DZ852	0403-000656	DIODE-ZENER;MTZ15C,15V,14.35-15.09V,500m		R802	2001-001088	R-CARBON(S);1Kohm,5%,1/2W,AA,TP,2.4x6.4	
DZ853	0403-000656	DIODE-ZENER;MTZ15C,15V,14.35-15.09V,500m		R802A	2001-001066	R-CARBON(S);110ohm,5%,1/2W,AA,TP,2.4x6.4	
DZ857	1203-000451	IC-VOLTAGE REGULATOR;33,TO-92,3P,-,PLAST		R803	2001-001117	R-CARBON(S);2Kohm,5%,1/2W,AA,TP,2.4x6.4	
F801	3601-000461	FUSE-FERRULE;250V,6.3A,TIME-LAG,CERAMIC,		R804	2001-001117	R-CARBON(S);2Kohm,5%,1/2W,AA,TP,2.4x6.4	
F801A	3602-000114	FUSE-HOLDER;-;30mohm		R805	2001-001055	R-CARBON(S);1.8Kohm,5%,1/2W,AA,TP,2.4x6.4	
F801B	3602-000114	FUSE-HOLDER;-;30mohm		R805A	2001-001143	R-CARBON(S);4.3Kohm,5%,1/2W,AA,TP,2.4x6.4	
F851	3601-000399	FUSE-FERRULE;250V,1.6A,TL,GLASS,5.2x20mm		R806	2009-000026	R-METAL PLATE;0.15ohm,10%,5W,CL,TP	
F851A	3602-000114	FUSE-HOLDER;-;30mohm		R807	2001-001117	R-CARBON(S);2Kohm,5%,1/2W,AA,TP,2.4x6.4	
F851B	3602-000114	FUSE-HOLDER;-;30mohm		R808	2003-000462	R-METAL OXIDE(S);10Kohm,5%,2W,AA,TP,4x12	
F852	3601-000281	FUSE-FERRULE;250V,4A,TL,GLASS,5.2x20mm		R809	2003-000462	R-METAL OXIDE(S);10Kohm,5%,2W,AA,TP,4x12	
F852A	3602-000114	FUSE-HOLDER;-;30mohm		R810	2002-001010	R-COMPOSITION;1.8Mohm,10%,1/2W,AA,TP,3.7	
F852B	3602-000114	FUSE-HOLDER;-;30mohm		R812	2003-000462	R-METAL OXIDE(S);10Kohm,5%,2W,AA,TP,4x12	
F853	3601-000281	FUSE-FERRULE;250V,4A,TL,GLASS,5.2x20mm		R813	2003-000462	R-METAL OXIDE(S);10Kohm,5%,2W,AA,TP,4x12	
F853A	3602-000114	FUSE-HOLDER;-;30mohm		R814	2006-000296	R-CEMENT;11ohm,5%,5W,CH,BK,9.5x27x9.5mm	
F853B	3602-000114	FUSE-HOLDER;-;30mohm		R814A	2001-001078	R-CARBON(S);15Kohm,5%,1/2W,AA,TP,2.4x6.4	
F854	3601-000281	FUSE-FERRULE;250V,4A,TL,GLASS,5.2x20mm		R815	2001-001117	R-CARBON(S);2Kohm,5%,1/2W,AA,TP,2.4x6.4	
F854A	3602-000114	FUSE-HOLDER;-;30mohm		R816	2001-001117	R-CARBON(S);2Kohm,5%,1/2W,AA,TP,2.4x6.4	
F854B	3602-000114	FUSE-HOLDER;-;30mohm		R817	2001-001055	R-CARBON(S);1.8Kohm,5%,1/2W,AA,TP,2.4x6.4	
F855	3601-000281	FUSE-FERRULE;250V,4A,TL,GLASS,5.2x20mm		R817A	2001-001143	R-CARBON(S);4.3Kohm,5%,1/2W,AA,TP,2.4x6.4	
F855A	3602-000114	FUSE-HOLDER;-;30mohm		R818	2001-001088	R-CARBON(S);1Kohm,5%,1/2W,AA,TP,2.4x6.4	
F855B	3602-000114	FUSE-HOLDER;-;30mohm		R818A	2001-001066	R-CARBON(S);110ohm,5%,1/2W,AA,TP,2.4x6.4	
F856	3601-000281	FUSE-FERRULE;250V,4A,TL,GLASS,5.2x20mm		R819	2009-001011	R-METAL PLATE;0.18ohm,10%,5W,CL,TP,5x14x	
F856A	3602-000114	FUSE-HOLDER;-;30mohm		R820	2001-001117	R-CARBON(S);2Kohm,5%,1/2W,AA,TP,2.4x6.4	
F856B	3602-000114	FUSE-HOLDER;-;30mohm		R820A	2001-000107	R-CARBON(S);150Kohm,5%,1/2W,AA,TP,2.4x6.4	
F857	3601-000281	FUSE-FERRULE;250V,4A,TL,GLASS,5.2x20mm		R821	2002-001012	R-COMPOSITION;8.2Mohm,10%,1/2W,AA,TP,3.7	
F857A	3602-000114	FUSE-HOLDER;-;30mohm		R825	2003-000462	R-METAL OXIDE(S);10Kohm,5%,2W,AA,TP,4x12	
F857B	3602-000114	FUSE-HOLDER;-;30mohm		R826	2003-000462	R-METAL OXIDE(S);10Kohm,5%,2W,AA,TP,4x12	
HC801	AA13-20002K	IC-HYBRID;-;STR-S6709 LF953,SIP,9P,SMPS	H/SINK	R827	2001-001096	R-CARBON(S);2.2ohm,5%,1/2W,AA,TP,2.4x6.4	
HC802	AA13-20002K	IC-HYBRID;-;STR-S6709 LF953,SIP,9P,SMPS	H/SINK	R830	2003-000706	R-METAL OXIDE(S);47Kohm,5%,2W,AA,TP,4.3x	

Loc. No.	Code No.	Description ; Specification	Remark	Loc. No.	Code No.	Description ; Specification	Remark
ZD531	0403-000664	DIODE-ZENER:MTZ3.6A,3.6V,3.455-3.695V,50		GUIDE	AA61-50033A	GUIDE-LED;-,PP,H,BL,K,-,-,-	
ASSY-PCB,CRT(BLUE)				JHY01	3722-000148	JACK-PHONE:1P,3.6mm,MBAG,BLACK,-	
*	AA95-20002D	ASSY-PCB,CRT;-SPT51A,52,BLUE,-		JSY01	3722-000191	JACK-RCA:3P(VHS),3.4mm,AG,BLU,NO	
C561	2201-000193	C-CERAMIC,DISC;10pF,0.3pF,50V,CH,TP,5x3,		LDY01	0601-000385	LED:ROUND,RED,3mm,700nm	
C562	2401-001363	C-AL:470uF,20%,16V,GP,TP,10x12.5,5		LDY02	0601-000385	LED:ROUND,RED,3mm,700nm	
C563	2201-000119	C-CERAMIC,DISC;100nF,+80-20%,50V,Y5V,TP,		LDY03	0601-000385	LED:ROUND,RED,3mm,700nm	
C564	2401-000922	C-AL:22uF,20%,16V,GP,TP,5x5,5		LDY04	0601-000385	LED:ROUND,RED,3mm,700nm	
C565	2201-000119	C-CERAMIC,DISC;100nF,+80-20%,50V,Y5V,TP,		LY01	2701-000101	INDUCTOR-AXIAL:1.2uH,10%,2.5x3.4mm	
C566	2401-000430	C-AL:10uF,20%,250V,GP,TP,10x16mm,5m		LY02	2701-000101	INDUCTOR-AXIAL:1.2uH,10%,2.5x3.4mm	
C567	2201-000600	C-CERAMIC,DISC;560pF,10%,50V,Y5P,TP,5x3,		RY05	2001-000969	R-CARBON:75ohm,5%,1/8W,AA,TP,1.8x3.2mm	
C568	2401-000430	C-AL:10uF,20%,250V,GP,TP,10x16mm,5m		RY06	2001-000786	R-CARBON:47Kohm,5%,1/8W,AA,TP,1.8x3.2mm	
C569	2201-000969	C-CERAMIC,DISC;10nF,+80-20%,3KV,Y5V,TP,-		RY07	2001-000786	R-CARBON:47Kohm,5%,1/8W,AA,TP,1.8x3.2mm	
C571	AA27-90001B	COIL-SPARK,GAP:S-23,1.5KV,-,-,-		RY08	2001-000969	R-CARBON:75ohm,5%,1/8W,AA,TP,1.8x3.2mm	
C575	AA27-90001B	COIL-SPARK,GAP:S-23,1.5KV,-,-,-		RY09	2001-001159	R-CARBON(S):510ohm,5%,1/2W,AA,TP,2.4x6.4	
C576	2305-000154	C-FILM,MPEF;100nF,5%,400V,TP,21.5x6.5x11		RY10	2001-001159	R-CARBON(S):510ohm,5%,1/2W,AA,TP,2.4x6.4	
C577	2201-000611	C-CERAMIC,DISC;56pF,5%,50V,CH,TP,6.5x3,5		RY11	2001-001159	R-CARBON(S):510ohm,5%,1/2W,AA,TP,2.4x6.4	
CN502	3711-002644	CONNECTOR-HEADER:BOX,5P,1R,2.5mm,STRAIGH		RY12	2001-001159	R-CARBON(S):510ohm,5%,1/2W,AA,TP,2.4x6.4	
CN5051	3711-002644	CONNECTOR-HEADER:BOX,5P,1R,2.5mm,STRAIGH		RY13	2001-001088	R-CARBON(S):1Kohm,5%,1/2W,AA,TP,2.4x6.4mm	
CNH01	AA39-20116A	LEAD-CONNECTOR,ASSY;-YFH800-03,-,3(2)P,		RY14	2001-001088	R-CARBON(S):1Kohm,5%,1/2W,AA,TP,2.4x6.4mm	
D502	0402-000132	DIODE-RECTIFIER:1N4004,400V,1A,DO-41,TP		RY15	2001-000969	R-CARBON:75ohm,5%,1/8W,AA,TP,1.8x3.2mm	
D503	0402-000132	DIODE-RECTIFIER:1N4004,400V,1A,DO-41,TP		ASSY-PCB,PREAMP			
D504	0402-000132	DIODE-RECTIFIER:1N4004,400V,1A,DO-41,TP		*	AA95-40002W	ASSY-PCB,PREAMP;-SPM5288PF,SPT51A,PREAM	
D561	0402-000536	DIODE-RECTIFIER:RH10F,1500V,0.8A,DO-204A		RR01	2001-000290	R-CARBON:10Kohm,5%,1/8W,AA,TP,1.8x3.2mm	
DZ501	0403-000531	DIODE-ZENER:MTZ13B,13V,12.55-13.21V,500m		CR01	2401-001840	C-AL:100uF,20%,16V,GP,TP,6.3x11.5	
DZ502	0403-000531	DIODE-ZENER:MTZ13B,13V,12.55-13.21V,500m		LR01	2701-000112	INDUCTOR-AXIAL:100uH,10%,2.8x7mm	
DZ503	0403-000531	DIODE-ZENER:MTZ13B,13V,12.55-13.21V,500m		CN905	3711-002642	CONNECTOR-HEADER:BOX,3P,1R,2.5MM,STRAIGH	
IC561	1201-000539	IC-VIDEO AMP:6101,ZIP9P,-,SINGLE,-,PLAS	H/SINK	CN905	AA39-20033J	LEAD-CONNECTOR,ASSY;-67096-003,S,3P,700	
LEAD/C	2701-000115	INDUCTOR-AXIAL:10uH,10%,2.8x7mm		RMR01	AA59-60001Z	MODULE-REMOCON;-ORC-638V1/SR-5CP2,38KHz	
Q561	0501-000389	TR-SMALL SIGNAL:KSC815,NPN,400mW,TO-92,T		SCREW	AA60-10011A	SCREW-TAPTITE:HH,+PC,MA,L12,ZPC(BLK),SW	
R561	2001-000429	R-CARBON:1Kohm,5%,1/8W,AA,TP,1.8x3.2mm		BRKT	AA61-10042A	BRACKET-PCB,RMC;-S4388,SECC,T1.0,-,-,-	
R562	2001-001159	R-CARBON(S):510ohm,5%,1/2W,AA,TP,2.4x6.4		ASSY-PCB,A/V SW			
R563	2001-000232	R-CARBON:1.3Kohm,5%,1/8W,AA,TP,1.8x3.2m		*	AA95-40002X	ASSY-PCB,A/V S/W;-SPM5288PF,SPT51A,A/V,	
R564	2001-000429	R-CARBON:1Kohm,5%,1/8W,AA,TP,1.8x3.2mm		AV701	3722-000502	JACK-RCA:9P,3.6MM,-,SN	
R565	2001-001164	R-CARBON(S):56Kohm,5%,1/2W,AA,TP,2.4x6.4		AV702	3722-000498	JACK-SCART:21P,-,SN,BLK,NO	
R566	2001-000281	R-CARBON:100ohm,5%,1/8W,AA,TP,1.8x3.2mm		AV703	3722-000544	JACK-VHS:12P,11.5mm,AG,BLK,N	
R567	2003-000468	R-METAL OXIDE(S):10ohm,5%,1W,AA,TP,3.3x9		C701	2401-000455	C-AL:10UF,20%,35V,GP,TP,4X7MM,5MM	
R568	2001-000085	R-CARBON(S):100Kohm,5%,1/2W,AA,TP,2.4x6.		C702	2401-000455	C-AL:10UF,20%,35V,GP,TP,4X7MM,5MM	
R569	2001-000028	R-CARBON(S):100ohm,5%,1/2W,AA,TP,2.4x6.4		C703	2201-000558	C-CERAMIC,DISC;470pF,10%,50V,Y5P,TP,5x3,	
R570	2001-001122	R-CARBON(S):3.9Kohm,5%,1/2W,AA,TP,2.4x6.		C704	2401-000455	C-AL:10UF,20%,35V,GP,TP,4X7MM,5MM	
R571	2001-000563	R-CARBON:27Kohm,5%,1/8W,AA,TP,1.8x3.2mm		C705	2201-000138	C-CERAMIC,DISC;100pF,10%,50V,Y5P,TP,4.0X	
R572	2002-000119	R-COMPOSITION:1Kohm,10%,1/2W,AA,TP,3.5x9		C706	2401-000455	C-AL:10UF,20%,35V,GP,TP,4X7MM,5MM	
R573	2001-001047	R-CARBON(S):1.2Mohm,5%,1/2W,AA,TP,2.4x6.		C707	2401-000455	C-AL:10UF,20%,35V,GP,TP,4X7MM,5MM	
R574	2001-001129	R-CARBON(S):330Kohm,5%,1/2W,AA,TP,2.4x6.		C708	2401-000455	C-AL:10UF,20%,35V,GP,TP,4X7MM,5MM	
R575	2001-001150	R-CARBON(S):470Kohm,5%,1/2W,AA,TP,2.4x6.		C709	2201-000558	C-CERAMIC,DISC;470pF,10%,50V,Y5P,TP,5x3,	
R576	2001-001113	R-CARBON(S):270Kohm,5%,1/2W,AA,TP,2.4x6.		C710	2401-000455	C-AL:10UF,20%,35V,GP,TP,4X7MM,5MM	
R577	2001-000679	R-CARBON:36Kohm,5%,1/8W,AA,TP,1.8x3.2mm		C711	2401-000455	C-AL:10UF,20%,35V,GP,TP,4X7MM,5MM	
R578	2001-001129	R-CARBON(S):330Kohm,5%,1/2W,AA,TP,2.4x6.		C712	2401-000242	C-AL:100uF,20%,10V,GP,TP,5x11.5	
R579	2001-001129	R-CARBON(S):330Kohm,5%,1/2W,AA,TP,2.4x6.		C713	2401-000455	C-AL:10UF,20%,35V,GP,TP,4X7MM,5MM	
V561	3704-001019	SOCKET-CRT:10P,29.1PI,35.5PI,AU30U		C714	2401-000455	C-AL:10UF,20%,35V,GP,TP,4X7MM,5MM	
VR561	2101-000321	VR-ROTARY:1Mohm,0.2,0.6W,-,-		C715	2201-000558	C-CERAMIC,DISC;470pF,10%,50V,Y5P,TP,5x3,	
ZD561	0403-000664	DIODE-ZENER:MTZ3.6A,3.6V,3.455-3.695V,50		C716	2201-000558	C-CERAMIC,DISC;470pF,10%,50V,Y5P,TP,5x3,	
ASSY-PCB,JACK				C717	2201-000138	C-CERAMIC,DISC;100pF,10%,50V,Y5P,TP,4.0X	
*	AA95-30001M	ASSY-PCB,JACK;-SPT51A,-,-		C718	2401-000455	C-AL:10UF,20%,35V,GP,TP,4X7MM,5MM	
CN602	3711-000661	CONNECTOR-HEADER:BOX,12P,1R,2.5m		C719	2401-000455	C-AL:10UF,20%,35V,GP,TP,4X7MM,5MM	
CN602	AA39-20032C	LEAD-CONNECTOR,ASSY;-67096-012,S,12P,40		C720	2401-000455	C-AL:10UF,20%,35V,GP,TP,4X7MM,5MM	
CN901	3711-002641	CONNECTOR-HEADER:BOX,10P,1R,2.54mm,STRAI		C722	2201-000138	C-CERAMIC,DISC;100pF,10%,50V,Y5P,TP,4.0X	
CN901	AA39-20025F	LEAD-CONNECTOR,ASSY;-67096-010,S,10P,50		C723	2201-000558	C-CERAMIC,DISC;470pF,10%,50V,Y5P,TP,5x3,	
CN902	3711-000631	CONNECTOR-HEADER:BOX,11P,1R,2.5mm,STRAIG		C724	2201-000558	C-CERAMIC,DISC;470pF,10%,50V,Y5P,TP,5x3,	
CN904	3711-002648	CONNECTOR-HEADER:BOX,9P,1R,2.5mm,STRAIGH		C725	2401-000455	C-AL:10UF,20%,35V,GP,TP,4X7MM,5MM	
CN904	AA39-20096B	LEAD-CONNECTOR,ASSY;-67096-009,S,9P,600		C726	2201-000423	C-CERAMIC,DISC;27pF,5%,50V,NPO,TP,5x3,2.	
CY01	2401-000480	C-AL:10uF,20%,50V,GP,TP,5x11.5		C727	2201-000423	C-CERAMIC,DISC;27pF,5%,50V,NPO,TP,5x3,2.	
CY02	2201-000558	C-CERAMIC,DISC;470pF,10%,50V,Y5P,TP,5x3,		C728	2201-000558	C-CERAMIC,DISC;470pF,10%,50V,Y5P,TP,5x3,	
CY03	2201-000558	C-CERAMIC,DISC;470pF,10%,50V,Y5P,TP,5x3,		C729	2201-000558	C-CERAMIC,DISC;470pF,10%,50V,Y5P,TP,5x3,	
CY04	2401-000480	C-AL:10uF,20%,50V,GP,TP,5x11.5		C730	2401-000455	C-AL:10UF,20%,35V,GP,TP,4X7MM,5MM	
CY05	2401-000480	C-AL:10uF,20%,50V,GP,TP,5x11.5		C731	2401-000455	C-AL:10UF,20%,35V,GP,TP,4X7MM,5MM	
CY06	2201-000144	C-CERAMIC,DISC;100pF,5%,50V,CH,TP,8x3,5		C732	2401-000455	C-AL:10UF,20%,35V,GP,TP,4X7MM,5MM	
CY07	2401-000480	C-AL:10uF,20%,50V,GP,TP,5x11.5		C733	2201-000426	C-CERAMIC,DISC;27pF,5%,50V,SL,TP,5x3,5	
CY08	2201-000144	C-CERAMIC,DISC;100pF,5%,50V,CH,TP,8x3,5		C734	2201-000426	C-CERAMIC,DISC;27pF,5%,50V,SL,TP,5x3,5	
				C735	2201-000426	C-CERAMIC,DISC;27pF,5%,50V,SL,TP,5x3,5	

Electric Parts List

Loc. No.	Code No.	Description ; Specification	Remark	Loc. No.	Code No.	Description ; Specification	Remark
C736	2201-000426	C-CERAMIC,DISC:27pF,5%,50V,SL,TP,5x3,5		O703	0501-000389	TR-SMALL SIGNAL:KSC815,NPN,400mW,TO-92,T	
C737	2201-000138	C-CERAMIC,DISC:100pF,10%,50V,Y5P,TP,4.0X		O704	0504-000116	TR-DIGITAL:KSR1001,NPN,300mW,4.7K-4.7K,T	
C738	2401-000455	C-AL:10UF,20%,35V,GP,TP,4X7MM,5MM		O705	0504-000116	TR-DIGITAL:KSR1001,NPN,300mW,4.7K-4.7K,T	
C742	2201-000558	C-CERAMIC,DISC:470pF,10%,50V,Y5P,TP,5x3,		O706	0504-000116	TR-DIGITAL:KSR1001,NPN,300mW,4.7K-4.7K,T	
C743	2401-000455	C-AL:10UF,20%,35V,GP,TP,4X7MM,5MM		O707	0504-000116	TR-DIGITAL:KSR1001,NPN,300mW,4.7K-4.7K,T	
C744	2201-000138	C-CERAMIC,DISC:100pF,10%,50V,Y5P,TP,4.0X		O708	0501-000389	TR-SMALL SIGNAL:KSC815,NPN,400mW,TO-92,T	
C745	2201-000138	C-CERAMIC,DISC:100pF,10%,50V,Y5P,TP,4.0X		O709	0501-000389	TR-SMALL SIGNAL:KSC815,NPN,400mW,TO-92,T	
C747	2401-000455	C-AL:10UF,20%,35V,GP,TP,4X7MM,5MM		O710	0501-000389	TR-SMALL SIGNAL:KSC815,NPN,400mW,TO-92,T	
C748	2201-000982	C-CERAMIC,DISC:10nF,+80-20%,50V,Y5V,TP,6		O711	0501-000389	TR-SMALL SIGNAL:KSC815,NPN,400mW,TO-92,T	
C749	2401-002009	C-AL:100uF,20%,16V,GP,TP,6.3x7,5		O712	0501-000389	TR-SMALL SIGNAL:KSC815,NPN,400mW,TO-92,T	
C750	2401-002299	C-AL:4.7uF,20%,50V,GP,TP,5x7,5		O713	0501-000389	TR-SMALL SIGNAL:KSC815,NPN,400mW,TO-92,T	
C751	2401-002299	C-AL:4.7uF,20%,50V,GP,TP,5x7,5		O714	0504-000116	TR-DIGITAL:KSR1001,NPN,300mW,4.7K-4.7K,T	
C754	2401-000455	C-AL:10UF,20%,35V,GP,TP,4X7MM,5MM		O715	0504-000116	TR-DIGITAL:KSR1001,NPN,300mW,4.7K-4.7K,T	
C755	2401-000455	C-AL:10UF,20%,35V,GP,TP,4X7MM,5MM		O716	0504-000116	TR-DIGITAL:KSR1001,NPN,300mW,4.7K-4.7K,T	
C756	2401-000455	C-AL:10UF,20%,35V,GP,TP,4X7MM,5MM		O717	0504-000116	TR-DIGITAL:KSR1001,NPN,300mW,4.7K-4.7K,T	
C757	2401-000455	C-AL:10UF,20%,35V,GP,TP,4X7MM,5MM		R701	2001-000786	R-CARBON:47Kohm,5%,1/8W,AA,TP,1.8x3.2mm	
C758	2401-000242	C-AL:100uF,20%,10V,GP,TP,5x11,5		R702	2001-000660	R-CARBON:33Kohm,5%,1/8W,AA,TP,1.8x3.2mm	
C759	2401-000455	C-AL:10UF,20%,35V,GP,TP,4X7MM,5MM		R703	2001-000429	R-CARBON:1Kohm,5%,1/8W,AA,TP,1.8x3.2mm	
C760	2401-000455	C-AL:10UF,20%,35V,GP,TP,4X7MM,5MM		R704	2001-000003	R-CARBON:330ohm,5%,1/8W,AA,TP,1.8x3.2mm	
C762	2401-000455	C-AL:10UF,20%,35V,GP,TP,4X7MM,5MM		R705	2001-000786	R-CARBON:47Kohm,5%,1/8W,AA,TP,1.8x3.2mm	
C763	2201-000982	C-CERAMIC,DISC:10nF,+80-20%,50V,Y5V,TP,6		R706	2001-000660	R-CARBON:33Kohm,5%,1/8W,AA,TP,1.8x3.2mm	
C764	2401-002009	C-AL:100uF,20%,16V,GP,TP,6.3x7,5		R707	2001-000429	R-CARBON:1Kohm,5%,1/8W,AA,TP,1.8x3.2mm	
C765	2401-002009	C-AL:100uF,20%,16V,GP,TP,6.3x7,5		R708	2001-000003	R-CARBON:330ohm,5%,1/8W,AA,TP,1.8x3.2mm	
C766	2201-000982	C-CERAMIC,DISC:10nF,+80-20%,50V,Y5V,TP,6		R709	2001-000786	R-CARBON:47Kohm,5%,1/8W,AA,TP,1.8x3.2mm	
CN701	3711-003490	CONNECTOR-HEADER:BOX,20P,2R,2.54MM,ANGLE		R710	2001-000325	R-CARBON:120ohm,5%,1/8W,AA,TP,1.8x3.2mm	
CN702	3711-003490	CONNECTOR-HEADER:BOX,20P,2R,2.54MM,ANGLE		R711	2001-000429	R-CARBON:1Kohm,5%,1/8W,AA,TP,1.8x3.2mm	
D701	0401-000005	DIODE-SWITCHING:1N4148,75V,300mA,DO-35,T		R712	2001-000786	R-CARBON:47Kohm,5%,1/8W,AA,TP,1.8x3.2mm	
D702	0401-000005	DIODE-SWITCHING:1N4148,75V,300mA,DO-35,T		R713	2001-000281	R-CARBON:100ohm,5%,1/8W,AA,TP,1.8x3.2mm	
D703	0401-000005	DIODE-SWITCHING:1N4148,75V,300mA,DO-35,T		R714	2001-000786	R-CARBON:47Kohm,5%,1/8W,AA,TP,1.8x3.2mm	
D704	0401-000005	DIODE-SWITCHING:1N4148,75V,300mA,DO-35,T		R715	2001-000786	R-CARBON:47Kohm,5%,1/8W,AA,TP,1.8x3.2mm	
D705	0401-000005	DIODE-SWITCHING:1N4148,75V,300mA,DO-35,T		R716	2001-000786	R-CARBON:47Kohm,5%,1/8W,AA,TP,1.8x3.2mm	
D706	0401-000005	DIODE-SWITCHING:1N4148,75V,300mA,DO-35,T		R717	2001-000786	R-CARBON:47Kohm,5%,1/8W,AA,TP,1.8x3.2mm	
D707	0401-000005	DIODE-SWITCHING:1N4148,75V,300mA,DO-35,T		R718	2001-000786	R-CARBON:47Kohm,5%,1/8W,AA,TP,1.8x3.2mm	
D708	0401-000005	DIODE-SWITCHING:1N4148,75V,300mA,DO-35,T		R719	2001-000786	R-CARBON:47Kohm,5%,1/8W,AA,TP,1.8x3.2mm	
D709	0401-000005	DIODE-SWITCHING:1N4148,75V,300mA,DO-35,T		R720	2001-000786	R-CARBON:47Kohm,5%,1/8W,AA,TP,1.8x3.2mm	
D710	0401-000005	DIODE-SWITCHING:1N4148,75V,300mA,DO-35,T		R721	2001-000786	R-CARBON:47Kohm,5%,1/8W,AA,TP,1.8x3.2mm	
D711	0401-000005	DIODE-SWITCHING:1N4148,75V,300mA,DO-35,T		R722	2001-000786	R-CARBON:47Kohm,5%,1/8W,AA,TP,1.8x3.2mm	
D712	0401-000005	DIODE-SWITCHING:1N4148,75V,300mA,DO-35,T		R723	2001-000786	R-CARBON:47Kohm,5%,1/8W,AA,TP,1.8x3.2mm	
DZ706	0403-000654	DIODE-ZENER:MTZ12B,12V,11.44-12.03V,500m		R724	2001-000786	R-CARBON:47Kohm,5%,1/8W,AA,TP,1.8x3.2mm	
DZ707	0403-000654	DIODE-ZENER:MTZ12B,12V,11.44-12.03V,500m		R725	2001-000429	R-CARBON:47Kohm,5%,1/8W,AA,TP,1.8x3.2mm	
DZ708	0403-000654	DIODE-ZENER:MTZ12B,12V,11.44-12.03V,500m		R726	2001-000786	R-CARBON:47Kohm,5%,1/8W,AA,TP,1.8x3.2mm	
DZ709	0403-000654	DIODE-ZENER:MTZ12B,12V,11.44-12.03V,500m		R727	2001-000786	R-CARBON:47Kohm,5%,1/8W,AA,TP,1.8x3.2mm	
DZ710	0403-000654	DIODE-ZENER:MTZ12B,12V,11.44-12.03V,500m		R728	2001-000786	R-CARBON:47Kohm,5%,1/8W,AA,TP,1.8x3.2mm	
DZ712	0403-000654	DIODE-ZENER:MTZ12B,12V,11.44-12.03V,500m		R729	2001-000786	R-CARBON:47Kohm,5%,1/8W,AA,TP,1.8x3.2mm	
DZ713	0403-000654	DIODE-ZENER:MTZ12B,12V,11.44-12.03V,500m		R730	2001-000786	R-CARBON:47Kohm,5%,1/8W,AA,TP,1.8x3.2mm	
DZ714	0403-000654	DIODE-ZENER:MTZ12B,12V,11.44-12.03V,500m		R731	2001-000786	R-CARBON:47Kohm,5%,1/8W,AA,TP,1.8x3.2mm	
DZ715	0403-000654	DIODE-ZENER:MTZ12B,12V,11.44-12.03V,500m		R732	2001-000786	R-CARBON:47Kohm,5%,1/8W,AA,TP,1.8x3.2mm	
DZ716	0403-000654	DIODE-ZENER:MTZ12B,12V,11.44-12.03V,500m		R733	2001-000786	R-CARBON:47Kohm,5%,1/8W,AA,TP,1.8x3.2mm	
DZ717	0403-000654	DIODE-ZENER:MTZ12B,12V,11.44-12.03V,500m		R734	2001-000734	R-CARBON:4.7Kohm,5%,1/8W,AA,TP,1.8x3.2m	
DZ718	0403-000654	DIODE-ZENER:MTZ12B,12V,11.44-12.03V,500m		R735	2001-000734	R-CARBON:4.7Kohm,5%,1/8W,AA,TP,1.8x3.2m	
DZ719	0403-000654	DIODE-ZENER:MTZ12B,12V,11.44-12.03V,500m		R736	2001-001175	R-CARBON(S):62ohm,5%,1/2W,AA,TP,2.4x6.4m	
DZ720	0403-000654	DIODE-ZENER:MTZ12B,12V,11.44-12.03V,500m		R737	2001-000302	R-CARBON:10ohm,5%,1/8W,AA,TP,1.8x3.2mm	
DZ721	0403-000654	DIODE-ZENER:MTZ12B,12V,11.44-12.03V,500m		R738	2001-000290	R-CARBON:10ohm,5%,1/8W,AA,TP,1.8x3.2mm	
DZ722	0403-000654	DIODE-ZENER:MTZ12B,12V,11.44-12.03V,500m		R739	2001-000290	R-CARBON:10Kohm,5%,1/8W,AA,TP,1.8x3.2mm	
DZ723	0403-000654	DIODE-ZENER:MTZ12B,12V,11.44-12.03V,500m		R740	2001-000302	R-CARBON:10ohm,5%,1/8W,AA,TP,1.8x3.2mm	
DZ724	0403-000654	DIODE-ZENER:MTZ12B,12V,11.44-12.03V,500m		R742	2001-000290	R-CARBON:10Kohm,5%,1/8W,AA,TP,1.8x3.2mm	
DZ725	0403-000654	DIODE-ZENER:MTZ12B,12V,11.44-12.03V,500m		R743	2001-000522	R-CARBON:22Kohm,5%,1/8W,AA,TP,1.8x3.2mm	
DZ726	0403-000654	DIODE-ZENER:MTZ12B,12V,11.44-12.03V,500m		R744	2001-000290	R-CARBON:10Kohm,5%,1/8W,AA,TP,1.8x3.2mm	
DZ727	0403-000654	DIODE-ZENER:MTZ12B,12V,11.44-12.03V,500m		R745	2001-000281	R-CARBON:100ohm,5%,1/8W,AA,TP,1.8x3.2mm	
DZ728	0403-000654	DIODE-ZENER:MTZ12B,12V,11.44-12.03V,500m		R746	2001-000429	R-CARBON:1Kohm,5%,1/8W,AA,TP,1.8x3.2mm	
DZ729	0403-000654	DIODE-ZENER:MTZ12B,12V,11.44-12.03V,500m		R747	2001-000786	R-CARBON:47Kohm,5%,1/8W,AA,TP,1.8x3.2mm	
IC701	0801-000961	IC-CMOS LOGIC:4053B,MULTIPLEXER,DIP,16P,3		R749	2001-000290	R-CARBON:10Kohm,5%,1/8W,AA,TP,1.8x3.2mm	
IC702	0801-000961	IC-CMOS LOGIC:4053B,MULTIPLEXER,DIP,16P,3		R750	2001-000302	R-CARBON:10ohm,5%,1/8W,AA,TP,1.8x3.2mm	
IC703	1001-000217	IC-AUDIO SWITCH:KA2192B,4-INPUT,DIP,30P,		R751	2001-000969	R-CARBON:75ohm,5%,1/8W,AA,TP,1.8x3.2mm	
IC704	1001-000217	IC-AUDIO SWITCH:KA2192B,4-INPUT,DIP,30P,		R752	2001-000786	R-CARBON:47Kohm,5%,1/8W,AA,TP,1.8x3.2mm	
L701	2701-000114	INDUCTOR-AXIAL:10uH,10%,2.5x3.4mm		R753	2001-000429	R-CARBON:1Kohm,5%,1/8W,AA,TP,1.8x3.2mm	
L702	2701-000114	INDUCTOR-AXIAL:10uH,10%,2.5x3.4mm		R754	2001-000429	R-CARBON:1Kohm,5%,1/8W,AA,TP,1.8x3.2mm	
L703	2701-000114	INDUCTOR-AXIAL:10uH,10%,2.5x3.4mm		R756	2001-000786	R-CARBON:47Kohm,5%,1/8W,AA,TP,1.8x3.2mm	
L704	2701-000114	INDUCTOR-AXIAL:10uH,10%,2.5x3.4mm		R757	2001-000302	R-CARBON:10ohm,5%,1/8W,AA,TP,1.8x3.2mm	
L705	2701-000114	INDUCTOR-AXIAL:10uH,10%,2.5x3.4mm		R758	2001-000969	R-CARBON:75ohm,5%,1/8W,AA,TP,1.8x3.2mm	
L706	2701-000114	INDUCTOR-AXIAL:10uH,10%,2.5x3.4mm		R759	2001-000429	R-CARBON:1Kohm,5%,1/8W,AA,TP,1.8x3.2mm	
L707	2701-000114	INDUCTOR-AXIAL:10uH,10%,2.5x3.4mm		R760	2001-000786	R-CARBON:47Kohm,5%,1/8W,AA,TP,1.8x3.2mm	
L708	2701-000114	INDUCTOR-AXIAL:10uH,10%,2.5x3.4mm		R761	2001-000429	R-CARBON:1Kohm,5%,1/8W,AA,TP,1.8x3.2mm	
L709	2701-000114	INDUCTOR-AXIAL:10uH,10%,2.5x3.4mm		R762	2001-000786	R-CARBON:47Kohm,5%,1/8W,AA,TP,1.8x3.2mm	
L710	2701-000114	INDUCTOR-AXIAL:10uH,10%,2.5x3.4mm		R763	2001-000969	R-CARBON:75ohm,5%,1/8W,AA,TP,1.8x3.2mm	
O701	0501-000389	TR-SMALL SIGNAL:KSC815,NPN,400mW,TO-92,T		R764	2001-000429	R-CARBON:1Kohm,5%,1/8W,AA,TP,1.8x3.2mm	
O702	0501-000389	TR-SMALL SIGNAL:KSC815,NPN,400mW,TO-92,T		R765	2001-000969	R-CARBON:75ohm,5%,1/8W,AA,TP,1.8x3.2mm	

Loc. No.	Code No.	Description ; Specification	Remark	Loc. No.	Code No.	Description ; Specification	Remark
RJ20	2007-000981	R-CHIP;5.6Kohm,5%,1/10W,DA,TP,2012		CV12	2201-000193	C-CERAMIC,DISC:10pF,0.3pF,50V,CH,TP,5x3,	
RJ21	2007-000981	R-CHIP;5.6Kohm,5%,1/10W,DA,TP,2012		CV13	2401-001527	C-AL:47uF,20%,250V,HR,TP,13x25mm,5m	
RJ22	2007-001177	R-CHIP;8.2Kohm,5%,1/10W,DA,TP,2012		CV14	2401-001527	C-AL:47uF,20%,250V,HR,TP,13x25mm,5m	
RJ23	2007-000300	R-CHIP;10Kohm,5%,1/10W,DA,TP,2012		CV15	2201-000604	C-CERAMIC,DISC:56pF,+100-0%,500V,SL,TP,7	
RJ24	2007-000300	R-CHIP;10Kohm,5%,1/10W,DA,TP,2012		CV16	2401-000399	C-AL:10uF,20%,160V,HR,TP,10x20,5mm	
RJ25	2007-000738	R-CHIP;30Kohm,5%,1/10W,DA,TP,2012		CV17	2201-000441	C-CERAMIC,DISC:3.3nF,10%,500V,Y5P,TP,10x	
SHIELD	AA63-40023A	SHIELD-CASE-,SPT,E,TO.5,SCT51A,Z70,WZ74,		CV18	2301-000261	C-FILM,PEF:4.7nF,5%,100V,TP,10.5x12.5x6.	
X651	2801-000125	CRYSTAL-UNIT:10MHZ,20PPM,28-AAM,32PF,300		D301	0401-000005	DIODE-SWITCHING:1N4148,75V,300mA,DO-35,T	
XJ01	2801-000992	CRYSTAL-UNIT:8.192MHZ,30PPM,28-AAM,15PF,		D302	0402-000132	DIODE-RECTIFIER:1N4004,400V,1A,DO-41,TP	
ASSY-PCB,DEFLECTION				D303	0402-000132	DIODE-RECTIFIER:1N4004,400V,1A,DO-41,TP	
*	AA95-90001R	ASSY-PCB,DEFLECTION;-;SPM5288F,SPT51A,PA		D401	0402-000266	DIODE-RECTIFIER:RH4F,1500V,1.5A,-	
C301	2401-001661	C-AL:68uF,20%,100V,GP,TP,10x16,5		D402	0402-000542	DIODE-RECTIFIER:RU4AM,600V,2A,-	
C302	2401-002273	C-AL:220uF,20%,25V,HR,TP,10x20mm,5m		D403	0402-000536	DIODE-RECTIFIER:RH10F,1500V,0.8A,DO-204A	
C303	2401-002285	C-AL:470uF,20%,100V,GP,TP,16x25,7.5		D429	0402-000546	DIODE-RECTIFIER:TVR10G,400V,1.0A,DO-41,T	
C304	2401-001622	C-AL:6.8uF,20%,50V,BP,TP,16x25mm,7.		D430	0402-000536	DIODE-RECTIFIER:RH10F,1500V,0.8A,DO-204A	
C305	2401-002285	C-AL:470uF,20%,100V,GP,TP,16x25,7.5		D431	0401-000005	DIODE-SWITCHING:1N4148,75V,300mA,DO-35,T	
C306	2301-000192	C-FILM,PEF:1nF,5%,50V,TP,5.3x10mm,5mm		D432	0401-000005	DIODE-SWITCHING:1N4148,75V,300mA,DO-35,T	
C308	2301-000383	C-FILM,PEF:10nF,5%,50V,TP,6x7x3.2mm,5mm		D433	0401-000005	DIODE-SWITCHING:1N4148,75V,300mA,DO-35,T	
C310	2305-000178	C-FILM,MPEF:10nF,5%,100V,TP,-,5mm		D434	0401-000005	DIODE-SWITCHING:1N4148,75V,300mA,DO-35,T	
C311	2305-000285	C-FILM,MPEF:220nF,5%,100V,TP,20x18x11.5,		D435	0401-000005	DIODE-SWITCHING:1N4148,75V,300mA,DO-35,T	
C312	2201-000291	C-CERAMIC,DISC:1nF,10%,500V,Y5P,TP,8.5x5		D471	0402-000493	DIODE-RECTIFIER:1R5GU41,400V,1.5A,DO-15L	
C313	2305-000285	C-FILM,MPEF:220nF,5%,100V,TP,20x18x11.5,		D472	0402-000493	DIODE-RECTIFIER:1R5GU41,400V,1.5A,DO-15L	
C314	2305-000149	C-FILM,MPEF:100nF,5%,100V,TP,12x12.5x6.5		D473	0402-000540	DIODE-RECTIFIER:RU20A,600V,1.5A,-,TP	
C315	2301-000148	C-FILM,PEF:10nF,5%,100V,TP,7x3.2x7mm,5mm		D474	0402-000233	DIODE-RECTIFIER:FML-G12S,200V,5A,-,-	H/SINK
C315	2305-000178	C-FILM,MPEF:10nF,5%,100V,TP,-,5mm		D475	0402-000250	DIODE-RECTIFIER:RG4C,1000V,1A,-	
C400	2401-000262	C-AL:100uF,20%,160V,HR,TP,16x25,7.5		D476	0402-000250	DIODE-RECTIFIER:RG4C,1000V,1A,-	
C401	2305-000308	C-FILM,MPEF:22nF,5%,250V,-,14.5x6.0x9.5m		DV01	0401-000005	DIODE-SWITCHING:1N4148,75V,300mA,DO-35,T	
C402	2303-000110	C-FILM,PPF:100nF,5%,200V,BK,20.5x18.5x10		DV02	0401-000005	DIODE-SWITCHING:1N4148,75V,300mA,DO-35,T	
C404	2303-000128	C-FILM,PPF:12nF,5%,1.6KV,BK,31x21x14.25m		DV03	0402-000132	DIODE-RECTIFIER:1N4004,400V,1A,DO-41,TP	
C405	2303-000186	C-FILM,PPF:22nF,5%,400V,BK,19.5x13.5x8.1		DV04	0402-000132	DIODE-RECTIFIER:1N4004,400V,1A,DO-41,TP	
C406	2306-000260	C-FILM,MPPF:720nF,5%,200V,BK,26x23.5x15,		IC301	1204-000426	IC-VERTICAL PROCESSOR:TDA83500/N4,SIP,13P	H/SINK
C407	2201-000441	C-CERAMIC,DISC:3.3nF,10%,500V,Y5P,TP,10x		IC401	1201-000191	IC-OP AMP:4558,DIP,8P,300MIL,DUAL,20V/mV	
C408	2401-001232	C-AL:4.7uF,20%,250V,GP,TP,10x12.5,5		L301	2701-001013	INDUCTOR-AXIAL:1uH,10%,4.5x14mm	
C411	2301-000198	C-FILM,PEF:2.2nF,5%,100V,TP,10.5x12.5x6.		L302	2701-001013	INDUCTOR-AXIAL:1uH,10%,4.5x14mm	
C412	2401-001571	C-AL:47uF,+20%-0%,50V,GP,TP,8x11.5,		L303	AA27-40001F	COIL-HORIZ WIDTH:-,1mH,DR1520,PIO,4,-	
C413	2201-000555	C-CERAMIC,DISC:470pF,10%,2KV,Y5P,BK,8x3.		L304	2701-000115	INDUCTOR-AXIAL:10uH,10%,2.8x7mm	
C414	2303-001027	C-FILM,PPF:4.7nF,5%,1600V,BK,31x16x9,20		L305	2701-001043	INDUCTOR-AXIAL:10uH,10%,14x4.5mA	
C415	2306-000327	C-FILM,MPPF:6.3nF,3%,1.6KV,TP,28.5x18x10		L307	3301-000287	CORE-FERRITE BEAD:AA,3.5x1x6mm,1500,2400	
C416	2306-000004	C-FILM,MPPF:330nF,5%,250V,TP,20x18.5x10.		L308	3301-000287	CORE-FERRITE BEAD:AA,3.5x1x6mm,1500,2400	
C427	2201-000982	C-CERAMIC,DISC:10nF,+80-20%,50V,Y5V,TP,6		L309	3301-000287	CORE-FERRITE BEAD:AA,3.5x1x6mm,1500,2400	
C429	2201-000119	C-CERAMIC,DISC:100nF,+80-20%,50V,Y5V,TP,		L401	3301-000287	CORE-FERRITE BEAD:AA,3.5x1x6mm,1500,2400	
C430	2301-000192	C-FILM,PEF:1nF,5%,50V,TP,5.3x10mm,5mm		L402	3301-000287	CORE-FERRITE BEAD:AA,3.5x1x6mm,1500,2400	
C431	2401-000993	C-AL:3.3uF,20%,160V,GP,TP,8x11.5,5		L403	AA27-30001G	COIL-LINEARITY:-,21UH,DR1415,PIO,7.4.5X3	
C432	2201-000132	C-CERAMIC,DISC:100pF,10%,500V,Y5P,TP,6x4		L471	2701-000115	INDUCTOR-AXIAL:10uH,10%,2.8x7mm	
C434	2301-000213	C-FILM,PEF:220nF,5%,250V,TP,21.5x11,7.5		LV01	AA27-10001E	COIL-CHOKE:-,1.0UH,K,25.2100A,T,SP0408-1	
C435	2201-000112	C-CERAMIC,DISC:1.5nF,10%,50V,Y5V,TP,5x3,		LV02	3301-000287	CORE-FERRITE BEAD:AA,3.5x1x6mm,1500,2400	
C437	2401-001157	C-AL:33uF,20%,160V,GP,TP,12.5x20,5		LV03	3301-000287	CORE-FERRITE BEAD:AA,3.5x1x6mm,1500,2400	
C438	2201-000119	C-CERAMIC,DISC:100nF,+80-20%,50V,Y5V,TP,		LV04	3301-000287	CORE-FERRITE BEAD:AA,3.5x1x6mm,1500,2400	
C439	2401-002144	C-AL:47uF,20%,16V,GP,TP,5x11,5		Q301	0502-000194	TR-POWER:2SD1267,NPN,2W,TO-220,ST,120-2	H/SINK
C471	2401-000302	C-AL:100uF,20%,25V,GP,TP,6.3x11,5		Q302	0502-000242	TR-POWER:KSA614,PNP,25W,TO-220,TP,40-24	
C472	2201-000132	C-CERAMIC,DISC:100pF,10%,500V,Y5P,TP,6x4		Q401	0502-000006	TR-POWER:KSC1507,NPN,15W,TO-220,TP,120-	
C473	2401-000262	C-AL:100uF,20%,160V,HR,TP,16x25,7.5		Q402	0502-000450	TR-POWER:2SD1887YD,NPN,1500V,800V,10A,7	H/SINK
C474	2401-000262	C-AL:100uF,20%,160V,HR,TP,16x25,7.5		Q403	0502-000153	TR-POWER:2SC2344-D,NPN,1.2W,TO-220,-,60	
C475	2201-000551	C-CERAMIC,DISC:470pF,10%,1KV,Y5P,TP,8x5,		Q404	0502-000209	TR-POWER:2SD1880YD,NPN,70W,TO-3P,ST,8	H/SINK
C476	2401-002285	C-AL:470uF,20%,100V,GP,TP,16x25,7.5		Q426	0501-000389	TR-SMALL SIGNAL:KSC815,NPN,400mW,TO-92,T	
C477	2201-000551	C-CERAMIC,DISC:470pF,10%,1KV,Y5P,TP,8x5,		Q427	0501-000283	TR-SMALL SIGNAL:KSA539,PNP,400mW,TO-92,T	
C478	2401-001429	C-AL:470uF,20%,50V,GP,TP,13x20,5		Q428	0501-000366	TR-SMALL SIGNAL:KSC2330-Y,NPN,1W,TO-92L,	
C479	2306-000252	C-FILM,MPPF:68nF,5%,1.6KV,BK,41x28.5x22,		Q429	0502-000193	TR-POWER:2SD1090,NPN,80W,TO-3P,ST,500-2	H/SINK
CN202	AA39-20071B	LEAD-CONNECTOR,ASSY;-;YBNH025-12,67096-0		Q430	0501-000389	TR-SMALL SIGNAL:KSC815,NPN,400mW,TO-92,T	
CN401	3711-002643	CONNECTOR-HEADER:BOX,4P,1R,2.5MM,STRAIGH		QV01	0501-000245	TR-SMALL SIGNAL:BC548C,NPN,500mW,TO-92,T	
CNV01	3711-002642	CONNECTOR-HEADER:BOX,3P,1R,2.5MM,STRAIGH		QV02	0501-000283	TR-SMALL SIGNAL:KSA539,PNP,400mW,TO-92,T	
CNV02	3711-002642	CONNECTOR-HEADER:BOX,3P,1R,2.5MM,STRAIGH		QV03	0501-000389	TR-SMALL SIGNAL:KSC815,NPN,400mW,TO-92,T	
CV01	2401-002273	C-AL:220uF,20%,25V,HR,TP,10x20mm,5m		QV04	0501-000389	TR-SMALL SIGNAL:KSC815,NPN,400mW,TO-92,T	
CV02	2201-000180	C-CERAMIC,DISC:10nF,10%,50V,Y5V,TP,6.5*3		QV05	0501-000389	TR-SMALL SIGNAL:KSC815,NPN,400mW,TO-92,T	
CV03	2201-000180	C-CERAMIC,DISC:10nF,10%,50V,Y5V,TP,6.5*3		QV06	0501-000389	TR-SMALL SIGNAL:KSC815,NPN,400mW,TO-92,T	
CV04	2201-000180	C-CERAMIC,DISC:10nF,10%,50V,Y5V,TP,6.5*3		QV07	0501-000283	TR-SMALL SIGNAL:KSA539,PNP,400mW,TO-92,T	
CV05	2301-000519	C-FILM,PEF:3.3nF,5%,100V,TP,5.8x3x12.5,5		QV08	0502-000131	TR-POWER:2SA1011-D,PNP,1.2W,TO-220,-,60	H/SINK
CV06	2201-000292	C-CERAMIC,DISC:1nF,10%,50V,Y5P,TP,5x3,5		QV09	0502-000153	TR-POWER:2SC2344-D,NPN,1.2W,TO-220,-,60	H/SINK
CV07	2201-000180	C-CERAMIC,DISC:10nF,10%,50V,Y5V,TP,6.5*3		QV10	0501-000389	TR-SMALL SIGNAL:KSC815,NPN,400mW,TO-92,T	
CV08	2201-000180	C-CERAMIC,DISC:10nF,10%,50V,Y5V,TP,6.5*3		R301	2001-001117	R-CARBON(S):2Kohm,5%,1/2W,AA,TP,2.4x6.4m	
CV09	2201-000291	C-CERAMIC,DISC:1nF,10%,500V,Y5P,TP,8.5x5		R302	2001-000016	R-CARBON(S):1ohm,5%,1/2W,AA,TP,2.4x6.4mm	
CV10	2401-000430	C-AL:10uF,20%,250V,GP,TP,10x16mm,5m		R303	2001-000016	R-CARBON(S):1ohm,5%,1/2W,AA,TP,2.4x6.4mm	
CV11	2201-000193	C-CERAMIC,DISC:10pF,0.3pF,50V,CH,TP,5x3,		R304	2003-000606	R-METAL OXIDE(S):270ohm,5%,2W,AA,TP,4x12	
				R305	2003-000502	R-METAL OXIDE(S):150ohm,5%,2W,AA,TP,4x12	
				R306	2001-000028	R-CARBON(S):100ohm,5%,1/2W,AA,TP,2.4x6.4	
				R307	2001-000028	R-CARBON(S):100ohm,5%,1/2W,AA,TP,2.4x6.4	
				R308	2001-001152	R-CARBON(S):47Kohm,5%,1/2W,AA,TP,2.4x6.4	

Loc. No.	Code No.	Description ; Specification	Remark	Loc. No.	Code No.	Description ; Specification	Remark
R309	2001-001155	R-CARBON(S):5.6Kohm,5%,1/2W,AA,TP,2.4x6.4		RJ410	2001-000210	R-CARBON:0ohm,5%,1/8W,AA,TP,1.8x3.2mm	
R310	2001-000028	R-CARBON(S):100ohm,5%,1/2W,AA,TP,2.4x6.4		RJ411	2001-000210	R-CARBON:0ohm,5%,1/8W,AA,TP,1.8x3.2mm	
R311	2001-001146	R-CARBON(S):4.7ohm,5%,1/2W,AA,TP,2.4x6.4		RJ412	2001-000210	R-CARBON:0ohm,5%,1/8W,AA,TP,1.8x3.2mm	
R312	2001-001107	R-CARBON(S):220ohm,5%,1/2W,AA,TP,2.4x6.4		RJ413	2001-000210	R-CARBON:0ohm,5%,1/8W,AA,TP,1.8x3.2mm	
R313	2001-001107	R-CARBON(S):220ohm,5%,1/2W,AA,TP,2.4x6.4		RJ414	2001-000210	R-CARBON:0ohm,5%,1/8W,AA,TP,1.8x3.2mm	
R314	2001-001107	R-CARBON(S):220ohm,5%,1/2W,AA,TP,2.4x6.4		RJ415	2001-000210	R-CARBON:0ohm,5%,1/8W,AA,TP,1.8x3.2mm	
R315	2003-000606	R-METAL OXIDE(S):270ohm,5%,2W,AA,TP,4x12		RJ416	2001-000210	R-CARBON:0ohm,5%,1/8W,AA,TP,1.8x3.2mm	
R316	2003-000606	R-METAL OXIDE(S):270ohm,5%,2W,AA,TP,4x12		RJ417	2001-000210	R-CARBON:0ohm,5%,1/8W,AA,TP,1.8x3.2mm	
R317	2008-000190	R-FUSIBLE(S):1.2ohm,5%,2W,AA,TP,3.9x10mm		RJ418	2001-000210	R-CARBON:0ohm,5%,1/8W,AA,TP,1.8x3.2mm	
R401	2004-001989	R-METAL:620ohm,5%,1/8W,AA,TP,1.8x3.2mm		RJ419	2001-000210	R-CARBON:0ohm,5%,1/8W,AA,TP,1.8x3.2mm	
R402	2001-000003	R-CARBON:330ohm,5%,1/8W,AA,TP,1.8x3.2mm		RJ420	2001-000210	R-CARBON:0ohm,5%,1/8W,AA,TP,1.8x3.2mm	
R403	2003-000683	R-METAL OXIDE(S):4.7Kohm,5%,1W,AA,TP,3.3		RJ421	2001-000210	R-CARBON:0ohm,5%,1/8W,AA,TP,1.8x3.2mm	
R404	2003-000417	R-METAL OXIDE(S):1.2Kohm,5%,3W,AA,TP,6x1		RJ422	2001-000210	R-CARBON:0ohm,5%,1/8W,AA,TP,1.8x3.2mm	
R405	2006-000319	R-CEMENT:3Kohm,5%,5W,CA,BK,9.5x25x9.5mm		RJ423	2001-000210	R-CARBON:0ohm,5%,1/8W,AA,TP,1.8x3.2mm	
R406	2001-000020	R-CARBON(S):220ohm,5%,1/2W,AA,TP,2.4x6.4m		RJ424	2001-000210	R-CARBON:0ohm,5%,1/8W,AA,TP,1.8x3.2mm	
R407	2003-000522	R-METAL OXIDE(S):180ohm,5%,1W,AA,TP,3.3x		RJ425	2001-000210	R-CARBON:0ohm,5%,1/8W,AA,TP,1.8x3.2mm	
R408	2003-000634	R-METAL OXIDE(S):3.9Kohm,5%,1W,AA,TP,3.3		RJ428	2001-000210	R-CARBON:0ohm,5%,1/8W,AA,TP,1.8x3.2mm	
R409	2001-001143	R-CARBON(S):4.3Kohm,5%,1/2W,AA,TP,2.4x6.4		RJ429	2001-000210	R-CARBON:0ohm,5%,1/8W,AA,TP,1.8x3.2mm	
R410	2003-000561	R-METAL OXIDE(S):2.7Kohm,5%,2W,AA,TP,4x1		RJ433	2001-000210	R-CARBON:0ohm,5%,1/8W,AA,TP,1.8x3.2mm	
R411	2004-001989	R-METAL:620ohm,5%,1/8W,AA,TP,1.8x3.2mm		RJ434	2001-000210	R-CARBON:0ohm,5%,1/8W,AA,TP,1.8x3.2mm	
R412	2001-000003	R-CARBON:330ohm,5%,1/8W,AA,TP,1.8x3.2mm		RJ436	2001-000210	R-CARBON:0ohm,5%,1/8W,AA,TP,1.8x3.2mm	
R413	2003-000650	R-METAL OXIDE(S):330ohm,5%,2W,AA,TP,4x12		RJ438	2001-000210	R-CARBON:0ohm,5%,1/8W,AA,TP,1.8x3.2mm	
R414	2008-000298	R-FUSIBLE:47ohm,5%,1/4W,AA,TP-		RJ445	2001-000210	R-CARBON:0ohm,5%,1/8W,AA,TP,1.8x3.2mm	
R415	2001-000020	R-CARBON(S):220ohm,5%,1/2W,AA,TP,2.4x6.4m		RV01	2008-001005	R-FUSIBLE:0.47ohm,10%,1W,AA,TP,4.7x11.7m	
R416	2003-000561	R-METAL OXIDE(S):2.7Kohm,5%,2W,AA,TP,4x1		RV02	2001-000281	R-CARBON:100ohm,5%,1/8W,AA,TP,1.8x3.2mm	
R417	2008-001005	R-FUSIBLE:0.47ohm,10%,1W,AA,TP,4.7x11.7m		RV03	2001-001178	R-CARBON(S):680ohm,5%,1/2W,AA,TP,2.4x6.4	
R421	2003-000487	R-METAL OXIDE(S):12Kohm,5%,2W,AA,TP,4x12		RV04	2001-000331	R-CARBON:12Kohm,5%,1/8W,AA,TP,1.8x3.2mm	
R423	2001-001099	R-CARBON(S):2.7Kohm,5%,1/2W,AA,TP,2.4x6.4		RV05	2001-000890	R-CARBON:6.8Kohm,5%,1/8W,AA,TP,1.8x3.2m	
R424	2001-001088	R-CARBON(S):1Kohm,5%,1/2W,AA,TP,2.4x6.4m		RV06	2001-000449	R-CARBON:2.2Kohm,5%,1/8W,AA,TP,1.8x3.2m	
R425	2003-000752	R-METAL OXIDE(S):6.8Kohm,5%,2W,AA,TP,4x1		RV07	2001-000449	R-CARBON:2.2Kohm,5%,1/8W,AA,TP,1.8x3.2m	
R426	2001-001144	R-CARBON(S):4.7Kohm,5%,1/2W,AA,TP,2.4x6.4		RV09	2001-000780	R-CARBON:470ohm,5%,1/8W,AA,TP,1.8x3.2mm	
R441	2001-000591	R-CARBON:3.3Kohm,5%,1/8W,AA,TP,1.8x3.2m		RV10	2001-000429	R-CARBON:1Kohm,5%,1/8W,AA,TP,1.8x3.2mm	
R444	2004-001185	R-METAL:680Kohm,5%,1/8W,AA,TP,1.8x3.2mm		RV11	2008-001005	R-FUSIBLE:0.47ohm,10%,1W,AA,TP,4.7x11.7m	
R445	2004-001384	R-METAL(S):150Kohm,1%,1/2W,AA,TP,2.4x6.4		RV12	2001-001192	R-CARBON(S):820ohm,5%,1/2W,AA,TP,2.4x6.4	
R446	2001-000109	R-CARBON(S):470ohm,5%,1/2W,AA,TP,2.4x6.4		RV13	2001-000793	R-CARBON:47ohm,5%,1/8W,AA,TP,1.8x3.2mm	
R447	2001-001086	R-CARBON(S):18Kohm,5%,1/2W,AA,TP,2.4x6.4		RV14	2001-000118	R-CARBON(S):180ohm,5%,1/2W,AA,TP,2.4x6.4	
R448	2001-001047	R-CARBON(S):1.2Mohm,5%,1/2W,AA,TP,2.4x6.4		RV15	2001-000009	R-CARBON:20Kohm,5%,1/8W,AA,TP,1.8x3.2mm	
R449	2001-001142	R-CARBON(S):3Kohm,5%,1/2W,AA,TP,2.4x6.4m		RV16	2001-000734	R-CARBON:4.7Kohm,5%,1/8W,AA,TP,1.8x3.2m	
R450	2001-000007	R-CARBON:3Kohm,5%,1/8W,AA,TP,1.8x3.2mm		RV17	2001-000660	R-CARBON:33Kohm,5%,1/8W,AA,TP,1.8x3.2mm	
R451	2001-000591	R-CARBON:3.3Kohm,5%,1/8W,AA,TP,1.8x3.2m		RV18	2001-000793	R-CARBON:47ohm,5%,1/8W,AA,TP,1.8x3.2mm	
R452	2001-001131	R-CARBON(S):33Kohm,5%,1/2W,AA,TP,2.4x6.4		RV19	2001-000019	R-CARBON(S):10ohm,5%,1/2W,AA,TP,2.4x6.4m	
R453	2001-001088	R-CARBON(S):1Kohm,5%,1/2W,AA,TP,2.4x6.4m		RV20	2001-001195	R-CARBON(S):82ohm,5%,1/2W,AA,TP,2.4x6.4m	
R454	2003-000246	R-METAL OXIDE(S):3.3KOHM,5%,3W,AA,TP,6x1		RV21	2001-001195	R-CARBON(S):82ohm,5%,1/2W,AA,TP,2.4x6.4m	
R455	2003-000538	R-METAL OXIDE(S):1Kohm,5%,2W,AA,TP,4x12m		RV22	2001-001045	R-CARBON(S):1.2Kohm,5%,1/2W,AA,TP,2.4x6.4	
R456	2003-000505	R-METAL OXIDE(S):150ohm,5%,3W,AA,TP,6x1		RV23	2001-001050	R-CARBON(S):1.5Kohm,5%,1/2W,AA,TP,2.4x6.4	
R457	2004-0011390	R-METAL(S):1Kohm,2%,1/2W,AA,TP,2.4x6.4mm		RV24	2001-001179	R-CARBON(S):68Kohm,5%,1/2W,AA,TP,2.4x6.4	
R460	2001-001179	R-CARBON(S):68Kohm,5%,1/2W,AA,TP,2.4x6.4		RV25	2001-001179	R-CARBON(S):68Kohm,5%,1/2W,AA,TP,2.4x6.4	
R461	2001-001088	R-CARBON(S):1Kohm,5%,1/2W,AA,TP,2.4x6.4m		RV26	2001-001050	R-CARBON(S):1.5Kohm,5%,1/2W,AA,TP,2.4x6.4	
R462	2001-001194	R-CARBON(S):82Kohm,5%,1/2W,AA,TP,2.4x6.4		RV27	2001-001045	R-CARBON(S):1.2Kohm,5%,1/2W,AA,TP,2.4x6.4	
R471	2008-000241	R-FUSIBLE:1.9ohm,5%,2W,CA,BK,6.3x18x6.3m		RV28	2003-000744	R-METAL OXIDE(S):56ohm,5%,2W,AA,TP,4x12m	
R472	2001-000085	R-CARBON(S):100Kohm,5%,1/2W,AA,TP,2.4x6.4		RV29	2001-001152	R-CARBON(S):47Kohm,5%,1/2W,AA,TP,2.4x6.4	
R473	2001-000085	R-CARBON(S):100Kohm,5%,1/2W,AA,TP,2.4x6.4		RV30	2003-000744	R-METAL OXIDE(S):56ohm,5%,2W,AA,TP,4x12m	
R474	2008-000263	R-FUSIBLE:1ohm,5%,1/2W,AA,TP,4.7x11mm		RV31	2001-001100	R-CARBON(S):2.7ohm,5%,1/2W,AA,TP,2.4x6.4	
R475	2008-001005	R-FUSIBLE:0.47ohm,10%,1W,AA,TP,4.7x11.7m		RV32	2001-001100	R-CARBON(S):2.7ohm,5%,1/2W,AA,TP,2.4x6.4	
R476	2001-001107	R-CARBON(S):220ohm,5%,1/2W,AA,TP,2.4x6.4		RV33	2003-000578	R-METAL OXIDE(S):220ohm,5%,2W,AA,TP,4x12	
R481	2001-001164	R-CARBON(S):56Kohm,5%,1/2W,AA,TP,2.4x6.4		RV34	2001-000429	R-CARBON:1Kohm,5%,1/8W,AA,TP,1.8x3.2mm	
R482	2004-001379	R-METAL(S):12Kohm,1%,1/2W,AA,TP,2.4x6.4m		T401	AA26-90001K TRANS-DUMMY:-.55MH,EER404215,130/46/16		
RJ301	2001-000210	R-CARBON:0ohm,5%,1/8W,AA,TP,1.8x3.2mm		T402	AA26-50001A HORIZ.DRIVE:-.90MH,67UH,9.5UH,YL81,ST		
RJ302	2001-000210	R-CARBON:0ohm,5%,1/8W,AA,TP,1.8x3.2mm		T403	AA26-50001F HORIZ.DRIVE:-.50MH,594uH,4.0uH,E119,-		
RJ303	2001-000210	R-CARBON:0ohm,5%,1/8W,AA,TP,1.8x3.2mm		T404	AA26-90001L TRANS-DUMMY:-.15mH,ER4042,-		
RJ304	2001-000210	R-CARBON:0ohm,5%,1/8W,AA,TP,1.8x3.2mm		T444	AA26-30001U TRANS-FLYBACK:-FWZ-43B001,43,125V		
RJ305	2001-000210	R-CARBON:0ohm,5%,1/8W,AA,TP,1.8x3.2mm		VR401	2103-000670 VR-SEMI:1Kohm,25%,1/5W,TOP		
RJ306	2001-000210	R-CARBON:0ohm,5%,1/8W,AA,TP,1.8x3.2mm		ZD301	0403-000655 DIODE-ZENER:MTZ13A,13V,12.11-12.75V,500m		
RJ307	2001-000210	R-CARBON:0ohm,5%,1/8W,AA,TP,1.8x3.2mm		ZD302	0403-000699 DIODE-ZENER:TZP27B,27V,27-30.8V,1W,DO-41		
RJ308	2001-000210	R-CARBON:0ohm,5%,1/8W,AA,TP,1.8x3.2mm		ZD303	0403-000700 DIODE-ZENER:TZP33A,33V,31-35V,1W,DO-41		
RJ309	2001-000210	R-CARBON:0ohm,5%,1/8W,AA,TP,1.8x3.2mm		ZD304	0403-000699 DIODE-ZENER:TZP27B,27V,27-30.8V,1W,DO-T		
RJ310	2001-000210	R-CARBON:0ohm,5%,1/8W,AA,TP,1.8x3.2mm		ZD305	0403-000699 DIODE-ZENER:TZP27B,27V,27-30.8V,1W,DO-41		
RJ311	2001-000210	R-CARBON:0ohm,5%,1/8W,AA,TP,1.8x3.2mm		ZD306	0403-000658 DIODE-ZENER:MTZ18A,18V,16.22-17.06V,500m		
RJ401	2001-000210	R-CARBON:0ohm,5%,1/8W,AA,TP,1.8x3.2mm		ZD307	0403-000355 DIODE-ZENER:UZ5.1BSB,5.1V,4.97-5.18V,500		
RJ402	2001-000210	R-CARBON:0ohm,5%,1/8W,AA,TP,1.8x3.2mm		ZD308	0403-000699 DIODE-ZENER:TZP27B,27V,27-30.8V,1W,DO-41		
RJ403	2001-000210	R-CARBON:0ohm,5%,1/8W,AA,TP,1.8x3.2mm		ZD401	0403-000300 DIODE-ZENER:MTZ8.2B,8.2V,7.78-8.19V,500m		
RJ404	2001-000210	R-CARBON:0ohm,5%,1/8W,AA,TP,1.8x3.2mm		ZD402	0403-000654 DIODE-ZENER:MTZ12B,12V,11.44-12.03V,500m		
RJ405	2001-000210	R-CARBON:0ohm,5%,1/8W,AA,TP,1.8x3.2mm		ZD405	0403-000299 DIODE-ZENER:MTZ7.5C,7.5V,7.29-7.67V,500m		
RJ406	2001-000210	R-CARBON:0ohm,5%,1/8W,AA,TP,1.8x3.2mm		ZD423	0403-000355 DIODE-ZENER:UZ5.1BSB,5.1V,4.97-5.18V,500		
RJ407	2001-000210	R-CARBON:0ohm,5%,1/8W,AA,TP,1.8x3.2mm		ZD424	0403-000294 DIODE-ZENER:MTZ4.7B,4.7V,4.55-4.80V,500m		
RJ408	2001-000210	R-CARBON:0ohm,5%,1/8W,AA,TP,1.8x3.2mm		ZDV01	0403-000655 DIODE-ZENER:MTZ13A,13V,12.11-12.75V,500m		
RJ409	2001-000210	R-CARBON:0ohm,5%,1/8W,AA,TP,1.8x3.2mm					

Loc. No.	Code No.	Description ; Specification	Remark	Loc. No.	Code No.	Description ; Specification	Remark
ASSY-PCB, CONVERGENCE							
*	AA95-90001S	ASSY-PCB, CONVERGENCE; -, SPM5288F, SPT51A, P		CZ056	2401-000302	C-AL:100uF,20%,25V,GP,TP,6.3x11,5	
BT+HS	AA60-10008A	SCREW-TAPPING; TH+, M3, L10, ZPC(YEL), SWRCH		CZ057	2401-000302	C-AL:100uF,20%,25V,GP,TP,6.3x11,5	
C651	2301-000192	C-FILM, PEF:1nF,5%,50V,TP,5.3x10mm,5mm		CZ058	2401-000988	C-AL:3.3uF,20%,100V,BP,TP,5x11mm,5m	
C652	2401-001333	C-AL:470nF,20%,50V,GP,TP,5x11,5		CZ059	2401-000302	C-AL:100uF,20%,25V,GP,TP,6.3x11,5	
C653	2301-000192	C-FILM, PEF:1nF,5%,50V,TP,5.3x10mm,5mm		CZ060	2401-000480	C-AL:100uF,20%,50V,GP,TP,5x11,5	
C654	2401-001333	C-AL:470nF,20%,50V,GP,TP,5x11,5		CZ061	2401-000988	C-AL:3.3uF,20%,100V,BP,TP,5x11mm,5m	
C655	2201-002022	C-CERAMIC, DISC:5pF,0.25pF,500V,NPO,TP,5x		CZ062	2401-001914	C-AL:1uF,20%,50V,BP,TP,5x11,5	
C656	2201-002022	C-CERAMIC, DISC:5pF,0.25pF,500V,NPO,TP,5x		CZ063	2401-000302	C-AL:100uF,20%,25V,GP,TP,6.3x11,5	
C657	2301-000530	C-FILM, PEF:100nF,5%,100V,TP,11.5x12.5x6		CZ064	2401-000302	C-AL:100uF,20%,25V,GP,TP,6.3x11,5	
C658	2301-000530	C-FILM, PEF:100nF,5%,100V,TP,11.5x12.5x6		CZ064A	2401-000711	C-AL:220uF,20%,25V,GP,TP,16x25,7,5	
C675	2401-000360	C-AL:100uF,20%,50V,GP,TP,8x11,5,5		CZ065	2401-001397	C-AL:470uF,20%,25V,GP,TP,10x16,5	
C676	2401-001661	C-AL:68uF,20%,100V,GP,TP,10x16,5		CZ066	2401-001397	C-AL:470uF,20%,25V,GP,TP,10x16,5	
C678	2401-000360	C-AL:100uF,20%,50V,GP,TP,8x11,5,5		CZ067	2401-001429	C-AL:470uF,20%,50V,GP,TP,13x20,5	
C679	2401-001429	C-AL:470uF,20%,50V,GP,TP,13x20,5		CZ067A	2401-001989	C-AL:4.7uF,20%,50V,BP,TP,5x11,5	
C680	2401-000360	C-AL:100uF,20%,50V,GP,TP,8x11,5,5		CZ068	2401-001429	C-AL:470uF,20%,50V,GP,TP,13x20,5	
C681	2401-001429	C-AL:470uF,20%,50V,GP,TP,13x20,5		CZ069	2401-000365	C-AL:100uF,20%,50V,WT,TP,10x12,5mm,	
C682	2401-001661	C-AL:68uF,20%,100V,GP,TP,10x16,5		CZ070	2401-000365	C-AL:100uF,20%,50V,WT,TP,10x12,5mm,	
C683	2401-000360	C-AL:100uF,20%,50V,GP,TP,8x11,5,5		CZ071	2401-000365	C-AL:100uF,20%,50V,WT,TP,10x12,5mm,	
C684	2401-000773	C-AL:220uF,20%,10V,NP,TP,10x12,5,5m		CZ072	2401-000365	C-AL:100uF,20%,50V,WT,TP,10x12,5mm,	
C685	2401-000622	C-AL:2.2uF,20%,100V,BP,TP,13x25mm,5		CZ073	2401-000365	C-AL:100uF,20%,50V,WT,TP,10x12,5mm,	
C686	2401-000622	C-AL:2.2uF,20%,100V,BP,TP,13x25mm,5		CZ074	2401-000365	C-AL:100uF,20%,50V,WT,TP,10x12,5mm,	
CN401	3711-002643	CONNECTOR-HEADER:BOX,4P,1R,2.5MM,STRAIGH		CZ075	2401-001570	C-AL:47uF,20%,50V,WT,TP,10x20MM,5MM	
CN401	AA39-20018A	LEAD-CONNECTOR, ASSY: -, YSH025-04, S, 4P, 100		CZ080	2401-000302	C-AL:100uF,20%,25V,GP,TP,6.3x11,5	
CN601	3711-002645	CONNECTOR-HEADER:BOX,6P,1R,2.5MM,STRAIGH		D651	0401-000005	DIODE-SWITCHING;1N4148,75V,300mA,DO-35,T	
CN602	3711-003641	CONNECTOR-HEADER:BOX,12P,1R,2.5mm,STRAIGH		D652	0402-000132	DIODE-RECTIFIER;1N4004,400V,1A,DO-41,TP	
CN603	3711-002643	CONNECTOR-HEADER:BOX,4P,1R,2.5MM,STRAIGH		DZ001	0401-000005	DIODE-SWITCHING;1N4148,75V,300mA,DO-35,T	
CN604	3711-002643	CONNECTOR-HEADER:BOX,4P,1R,2.5MM,STRAIGH		DZ002	0401-000005	DIODE-SWITCHING;1N4148,75V,300mA,DO-35,T	
CN802	3711-002644	CONNECTOR-HEADER:BOX,5P,1R,2.5mm,STRAIGH		DZ003	0401-000005	DIODE-SWITCHING;1N4148,75V,300mA,DO-35,T	
CNZ02	3711-002646	CONNECTOR-HEADER:BOX,7P,1R,2.5mm,STRAIGH		DZ004	0401-000005	DIODE-SWITCHING;1N4148,75V,300mA,DO-35,T	
CNZ03	AA39-20029K	LEAD CONNECTOR, ASSY: -, 67096-007, S, 7P, 400		DZ005	0402-000132	DIODE-RECTIFIER;1N4004,400V,1A,DO-41,TP	
CNZ05	3711-002645	CONNECTOR-HEADER:BOX,6P,1R,2.5MM,STRAIGH		DZ006	0402-000132	DIODE-RECTIFIER;1N4004,400V,1A,DO-41,TP	
CNZ03	AA39-20027A	LEAD-CONNECTOR, ASSY: -, 67096-006, S, 6P, 300		DZ007	0401-000005	DIODE-SWITCHING;1N4148,75V,300mA,DO-35,T	
CZ001	2301-000310	C-FILM, PEF:68nF,5%,50V,TP,8.0x8.5x4.0X		DZ008	0401-000005	DIODE-SWITCHING;1N4148,75V,300mA,DO-35,T	
CZ002	2306-000122	C-FILM, MPPF:100nF,5%,50V,TP,7.3x4.0x5.0m		DZ009	0401-000005	DIODE-SWITCHING;1N4148,75V,300mA,DO-35,T	
CZ004	2201-000265	C-CERAMIC, DISC:180pF,5%,50V,RH,TP,8x3,5		DZ010	0401-000005	DIODE-SWITCHING;1N4148,75V,300mA,DO-35,T	
CZ005	2301-000108	C-FILM, PEF:1.5nF,5%,50V,TP,6.5x3.0x5.5mm		DZ011	0401-000005	DIODE-SWITCHING;1N4148,75V,300mA,DO-35,T	
CZ006	2301-000175	C-FILM, PEF:15nF,5%,50V,TP,7.1x3.5x13mm,5		DZ012	0401-000005	DIODE-SWITCHING;1N4148,75V,300mA,DO-35,T	
CZ007	2301-000104	C-FILM, PEF:1.2nF,5%,50V,TP,6.5x3.0x5.5mm		DZ013	0401-000005	DIODE-SWITCHING;1N4148,75V,300mA,DO-35,T	
CZ008	2201-000145	C-CERAMIC, DISC:100pF,5%,50V,RH,TP,8.0*3		DZ014	0401-000005	DIODE-SWITCHING;1N4148,75V,300mA,DO-35,T	
CZ009	2201-000145	C-CERAMIC, DISC:100pF,5%,50V,RH,TP,8.0*3		DZ015	0401-000005	DIODE-SWITCHING;1N4148,75V,300mA,DO-35,T	
CZ011	2301-000227	C-FILM, PEF:27nF,5%,50V,TP,7x3.5x6.5mm,5m		DZ016	0401-000005	DIODE-SWITCHING;1N4148,75V,300mA,DO-35,T	
CZ012	2201-000982	C-CERAMIC, DISC:10nF,+80-20%,50V,Y5V,TP,6		DZ017	0401-000005	DIODE-SWITCHING;1N4148,75V,300mA,DO-35,T	
CZ013	2201-000982	C-CERAMIC, DISC:10nF,+80-20%,50V,Y5V,TP,6		DZ018	0401-000005	DIODE-SWITCHING;1N4148,75V,300mA,DO-35,T	
CZ014	2201-000556	C-CERAMIC, DISC:470pF,10%,500V,Y5P,TP,7x4		DZ020	0403-000655	DIODE-ZENER:MTZ13A,13V,12.11-12.75V,500m	
CZ015	2201-000138	C-CERAMIC, DISC:100pF,10%,50V,Y5P,TP,4.0X		DZ024	0403-000655	DIODE-ZENER:MTZ13A,13V,12.11-12.75V,500m	
CZ016	2201-000411	C-CERAMIC, DISC:270pF,10%,50V,Y5P,TP,5x3,		HC651	AA13-20001WIC-HYBRID; -, STK4142(2), SIP, 18P, AUDIO POW		
CZ017	2201-000325	C-CERAMIC, DISC:2.2nF,10%,500V,Y5P,TP,8x4		HCZ01	1203-000121	IC-NEGA.FIXED REG.;7906,TO-220,3P;-,PLAS	H/SINK
CZ018	2201-000325	C-CERAMIC, DISC:2.2nF,10%,500V,Y5P,TP,8x4		HCZ02	1203-000284	IC-POS.FIXED REG.;7806,TO-220,3P;-,PLAS	H/SINK
CZ019	2201-000472	C-CERAMIC, DISC:330pF,5%,50V,SL,TP,8x3.5,		HCZ03	AA13-20001V IC-HYBRID; -, STK391-020, SIP, 15P, OP AMP		
CZ020	2201-000556	C-CERAMIC, DISC:470pF,10%,500V,Y5P,TP,7x4		HCZ04	AA13-20001V IC-HYBRID; -, STK391-020, SIP, 15P, OP AMP		
CZ021	2201-000411	C-CERAMIC, DISC:270pF,10%,50V,Y5P,TP,5x3,		HCZ05	AA61-10183A BRACKET-TR.; -, S4388, STS, TO.5, -,-		
CZ022	2201-000138	C-CERAMIC, DISC:100pF,10%,50V,Y5P,TP,4.0X		ICZ01	1201-000191	IC-OP AMP;4558,DIP,8P,300MIL,DUAL,20V/mV	
CZ023	2201-000556	C-CERAMIC, DISC:470pF,10%,500V,Y5P,TP,7x4		ICZ02	0801-000659	IC-CMOS LOGIC;74HC123,MULTIVIBATOR,DIP,1	
CZ024	2201-000411	C-CERAMIC, DISC:270pF,10%,50V,Y5P,TP,5x3,		ICZ03	0801-000659	IC-CMOS LOGIC;74HC123,MULTIVIBATOR,DIP,1	
CZ025	2201-000325	C-CERAMIC, DISC:2.2nF,10%,500V,Y5P,TP,8x4		LZ001	AA27-10001Z COIL-CHOKE; -, 13UH,K, -, 3A, -, 14UH-K(3A), 10		
CZ026	2201-000325	C-CERAMIC, DISC:2.2nF,10%,500V,Y5P,TP,8x4		LZ002	AA27-10001Z COIL-CHOKE; -, 13UH,K, -, 3A, -, 14UH-K(3A), 10		
CZ027	2201-000472	C-CERAMIC, DISC:330pF,5%,50V,SL,TP,8x3.5,		LZ003	3301-000287	CORE-FERRITE BEAD;AA,3.5x1x6mm,1500,2400	
CZ028	2201-000556	C-CERAMIC, DISC:470pF,10%,500V,Y5P,TP,7x4		LZ004	3301-000287	CORE-FERRITE BEAD;AA,3.5x1x6mm,1500,2400	
CZ029	2201-000411	C-CERAMIC, DISC:270pF,10%,50V,Y5P,TP,5x3,		LZ005	2701-000142	INDUCTOR-AXIAL;1uH,10%,2.5x3.4mm	
CZ030	2201-000138	C-CERAMIC, DISC:100pF,10%,50V,Y5P,TP,4.0X		LZ006	2701-000142	INDUCTOR-AXIAL;1uH,10%,2.5x3.4mm	
CZ031	2201-000556	C-CERAMIC, DISC:470pF,10%,500V,Y5P,TP,7x4		LZ007	2701-000142	INDUCTOR-AXIAL;1uH,10%,2.5x3.4mm	
CZ032	2201-000411	C-CERAMIC, DISC:270pF,10%,50V,Y5P,TP,5x3,		LZ008	2701-000142	INDUCTOR-AXIAL;1uH,10%,2.5x3.4mm	
CZ033	2201-000325	C-CERAMIC, DISC:2.2nF,10%,500V,Y5P,TP,8x4		LZ009	2701-000142	INDUCTOR-AXIAL;1uH,10%,2.5x3.4mm	
CZ034	2201-000325	C-CERAMIC, DISC:2.2nF,10%,500V,Y5P,TP,8x4		LZ010	2701-000142	INDUCTOR-AXIAL;1uH,10%,2.5x3.4mm	
CZ035	2201-000472	C-CERAMIC, DISC:330pF,5%,50V,SL,TP,8x3.5,		LZ011	2701-000142	INDUCTOR-AXIAL;1uH,10%,2.5x3.4mm	
CZ036	2201-000556	C-CERAMIC, DISC:470pF,10%,500V,Y5P,TP,7x4		LZ012	2701-000142	INDUCTOR-AXIAL;1uH,10%,2.5x3.4mm	
CZ037	2201-000411	C-CERAMIC, DISC:270pF,10%,50V,Y5P,TP,5x3,		PCB+HS	6003-000335	SCREW-TAPITTE;RH,+2S,M3,L8,ZPC(YEL),SWR	
CZ038	2306-000122	C-FILM, MPPF:100nF,5%,50V,TP,7.3x4.0x5.0m		Q651	0501-000389	TR-SMALL SIGNAL;KSC815,NPN,400mW,TO-92,T	
CZ051	2401-000471	C-AL:10uF,20%,50V,BP,TP,5x11,5mm		Q652	0501-000389	TR-SMALL SIGNAL;KSC815,NPN,400mW,TO-92,T	
CZ052	2401-001569	C-AL:47uF,20%,50V,BP,TP,10x12,5mm,5		Q653	0501-000369	TR-SMALL SIGNAL;KSC2331-Y,NPN,1W,TO-92L	
CZ053	2401-000934	C-AL:22uF,20%,25V,BP,TP,8x11,5,5		QZ001	0501-000389	TR-SMALL SIGNAL;KSC815,NPN,400mW,TO-92,T	
CZ054	2401-000302	C-AL:100uF,20%,25V,GP,TP,6.3x11,5		QZ002	0501-000389	TR-SMALL SIGNAL;KSC815,NPN,400mW,TO-92,T	
CZ055	2401-000302	C-AL:100uF,20%,25V,GP,TP,6.3x11,5		QZ003	0501-000283	TR-SMALL SIGNAL;KSA539,PNP,400mW,TO-92,T	
				QZ004	0501-000389	TR-SMALL SIGNAL;KSC815,NPN,400mW,TO-92,T	
				QZ005	0502-000441	TR-POWER;2SC4635RB,NPN,2W,TO-220,ST,10-	H/SINK
				QZ006	0501-000389	TR-SMALL SIGNAL;KSC815,NPN,400mW,TO-92,T	

Loc. No.	Code No.	Description ; Specification	Remark	Loc. No.	Code No.	Description ; Specification	Remark
CT07	2201-000119	C-CERAMIC,DISC:100nF,+80-20%,50V,Y5V,TP,		CN111	2203-000260	C-CERAMIC,CHIP:10nF,10%,50V,X7R,TP,2012,	
CT08	2201-000119	C-CERAMIC,DISC:100nF,+80-20%,50V,Y5V,TP,		CN164	2203-000260	C-CERAMIC,CHIP:10nF,10%,50V,X7R,TP,2012,	
CT09	2201-000193	C-CERAMIC,DISC:10pF,0.3pF,50V,CH,TP,5x3,		CN165	2203-000260	C-CERAMIC,CHIP:10nF,10%,50V,X7R,TP,2012,	
CT10	2201-000247	C-CERAMIC,DISC:15pF,5%,50V,CH,TP,5x3,5		CN166	2203-000260	C-CERAMIC,CHIP:10nF,10%,50V,X7R,TP,2012,	
CT11	2201-000292	C-CERAMIC,DISC:1nF,10%,50V,Y5P,TP,5x3,5		CN101	3711-002709	CONNECTOR-HEADER:NOWALL,12P,1R,2.5MM,ANG	
CT12	2201-000119	C-CERAMIC,DISC:100nF,+80-20%,50V,Y5V,TP,		CN102	3711-002709	CONNECTOR-HEADER:NOWALL,12P,1R,2.5MM,ANG	
CT13	2201-000119	C-CERAMIC,DISC:100nF,+80-20%,50V,Y5V,TP,		D112	0401-000160	DIODE-SWITCHING:ISS314,30V,100mA,USC,TP	
CT17	2305-000412	C-FILM,MPEF:470nF,5%,63V,TP,-,5mm		D113	0403-000563	DIODE-ZENER:MTZ9.1B,9.1V,8.57-9.01V,500m	
CT18	2305-000412	C-FILM,MPEF:470nF,5%,63V,TP,-,5mm		D128	0401-000005	DIODE-SWITCHING:1N4148,75V,300mA,DO-35,T	
CT19	2305-000412	C-FILM,MPEF:470nF,5%,63V,TP,-,5mm		D161	0401-000160	DIODE-SWITCHING:ISS314,30V,100mA,USC,TP	
CT20	2201-000144	C-CERAMIC,DISC:100pF,5%,50V,CH,TP,8x3,5		D164	0401-000160	DIODE-SWITCHING:ISS314,30V,100mA,USC,TP	
ICT01	1204-000535	IC-PAL DECODER:SAAS5281P/E,DIP,48P,-,PLAS PIIC		D165	0401-000160	DIODE-SWITCHING:ISS314,30V,100mA,USC,TP	
ICT01	1204-000536	IC-PAL DECODER:SAAS5281P/H,DIP,48P,-,PLASTIC SEH		D161	0401-000160	DIODE-SWITCHING:ISS314,30V,100mA,USC,TP	
ICT02	1001-000223	IC-VIDEO SWITCH:TEA5114A,-,DIP,16P,334MI		D162	0401-000160	DIODE-SWITCHING:ISS314,30V,100mA,USC,TP	
LT01	2701-000169	INDUCTOR-AXIAL:3.9uH,10%,2.5x3.4mm		DK161	0401-000160	DIODE-SWITCHING:ISS314,30V,100mA,USC,TP	
RT01	2004-000971	R-METAL:470ohm,1%,1/8W,AA,TP,1.8x3.2mm		DK162	0401-000160	DIODE-SWITCHING:ISS314,30V,100mA,USC,TP	
RT02	2004-000971	R-METAL:470ohm,1%,1/8W,AA,TP,1.8x3.2mm		DK163	0401-000160	DIODE-SWITCHING:ISS314,30V,100mA,USC,TP	
RT03	2004-000971	R-METAL:470ohm,1%,1/8W,AA,TP,1.8x3.2mm		DK164	0401-000160	DIODE-SWITCHING:ISS314,30V,100mA,USC,TP	
RT05	2001-000325	R-CARBON:120ohm,5%,1/8W,AA,TP,1.8x3.2mm		DN111	0401-000005	DIODE-SWITCHING:1N4148,75V,300mA,DO-35,T	
RT10	2001-000302	R-CARBON:100ohm,5%,1/8W,AA,TP,1.8x3.2mm		DN112	0401-000160	DIODE-SWITCHING:ISS314,30V,100mA,USC,TP	
RT11	2001-000290	R-CARBON:10Kohm,5%,1/8W,AA,TP,1.8x3.2mm		DN113	0401-000160	DIODE-SWITCHING:ISS314,30V,100mA,USC,TP	
RT13	2001-000812	R-CARBON:5.6Kohm,5%,1/8W,AA,TP,1.8x3.2m		DN161	0401-000160	DIODE-SWITCHING:ISS314,30V,100mA,USC,TP	
RT14	2001-000591	R-CARBON:3.3Kohm,5%,1/8W,AA,TP,1.8x3.2m		DN162	0401-000160	DIODE-SWITCHING:ISS314,30V,100mA,USC,TP	
RT15	2001-000281	R-CARBON:100ohm,5%,1/8W,AA,TP,1.8x3.2mm		DN163	0401-000160	DIODE-SWITCHING:ISS314,30V,100mA,USC,TP	
RT16	2001-000563	R-CARBON:27Kohm,5%,1/8W,AA,TP,1.8x3.2mm		IC111	1204-000560	IC-DEMODULATOR:TDA9815,DIP,32P,400MIL,PL	
RT17	2001-000281	R-CARBON:100ohm,5%,1/8W,AA,TP,1.8x3.2mm		IC113	AA13-20003F	IC-HYBRID:-,PAP101,SIP,5PPREAMPK	
RT18	2001-000281	R-CARBON:100ohm,5%,1/8W,AA,TP,1.8x3.2mm		JL111	2007-000029	R-CHIP:0ohm,5%,1/10W,DA,TP,2012	
RT20	2004-000971	R-METAL:470ohm,1%,1/8W,AA,TP,1.8x3.2mm		JL121	3812-000219	WIRE-NO SHEATH CU-TICWA,300V,52mm(TAPING)	
RT21	2004-000971	R-METAL:470ohm,1%,1/8W,AA,TP,1.8x3.2mm		L111	2701-000326	INDUCTOR-AXIAL:560nH,10%,2.3x3.4mm	
RT22	2004-000971	R-METAL:470ohm,1%,1/8W,AA,TP,1.8x3.2mm		L112	AA26-10004E	TRANS-IF:-,7MG,VIF,-,7mm,8pF,116.7MHz,S	
RT23	2001-000734	R-CARBON:4.7Kohm,5%,1/8W,AA,TP,1.8x3.2m		L113	2701-000299	INDUCTOR-AXIAL:13uH,10%,2.5x3.4mm	
RT24	2001-000734	R-CARBON:4.7Kohm,5%,1/8W,AA,TP,1.8x3.2m		LN113	2701-000136	INDUCTOR-AXIAL:18uH,10%,2.5x3.4mm	
RT25	2001-000734	R-CARBON:4.7Kohm,5%,1/8W,AA,TP,1.8x3.2m		Q112	0501-000727	TR-SMALL SIGNAL:BC848C,NPN,310mW,SOT-23,	
RT26	2001-000734	R-CARBON:4.7Kohm,5%,1/8W,AA,TP,1.8x3.2m		Q113	0501-002049	TR-SMALL SIGNAL:BC858,PNP,330mW,SOT-23,T	
RT28	2004-000971	R-METAL:470ohm,1%,1/8W,AA,TP,1.8x3.2mm		Q161	0501-000727	TR-SMALL SIGNAL:BC848C,NPN,310mW,SOT-23,	
RT29	2004-000971	R-METAL:470ohm,1%,1/8W,AA,TP,1.8x3.2mm		Q162	0501-000727	TR-SMALL SIGNAL:BC848C,NPN,310mW,SOT-23,	
RT30	2004-000971	R-METAL:470ohm,1%,1/8W,AA,TP,1.8x3.2mm		QK161	0501-000727	TR-SMALL SIGNAL:BC848C,NPN,310mW,SOT-23,	
RT32	2001-000958	R-CARBON:750ohm,5%,1/8W,AA,TP,1.8x3.2mm		QN111	0501-000727	TR-SMALL SIGNAL:BC848C,NPN,310mW,SOT-23,	
RT33	2001-000958	R-CARBON:750ohm,5%,1/8W,AA,TP,1.8x3.2mm		QN112	0501-000727	TR-SMALL SIGNAL:BC848C,NPN,310mW,SOT-23,	
RT34	2001-000958	R-CARBON:750ohm,5%,1/8W,AA,TP,1.8x3.2mm		QN113	0501-000727	TR-SMALL SIGNAL:BC848C,NPN,310mW,SOT-23,	
RT36	2001-000515	R-CARBON:220ohm,5%,1/8W,AA,TP,1.8x3.2mm		QN114	0501-000727	TR-SMALL SIGNAL:BC848C,NPN,310mW,SOT-23,	
SHIELD	AA63-40014A	SHIELD-CASE,T,-,SPT,E,TO.5,SC751A,-,PIIC		QN161	0501-000727	TR-SMALL SIGNAL:BC848C,NPN,310mW,SOT-23,	
SHIELD	AA63-40014A	SHIELD-CASE1,T,-,SPT,E,TO.5,SC751A,-,SEH		QN162	0501-000727	TR-SMALL SIGNAL:BC848C,NPN,310mW,SOT-23,	
TT01	0501-000389	TR-SMALL SIGNAL:KSC815,NPN,400mW,TO-92,T		QN163	0501-000727	TR-SMALL SIGNAL:BC848C,NPN,310mW,SOT-23,	
XT01	2801-000214	CRYSTAL-UNIT:27MHz,40ppm,28-AAM,S,40ohm,		R113	2007-000774	R-CHIP:33Kohm,5%,1/10W,DA,TP,2012	
				R114	2007-000774	R-CHIP:33Kohm,5%,1/10W,DA,TP,2012	
				R115	2007-000300	R-CHIP:10Kohm,5%,1/10W,DA,TP,2012	
				R116	2001-000117	R-CARBON(S):68ohm,5%,1/2W,AA,TP,2.4x6.4m	
				R117	2007-000029	R-CHIP:0ohm,5%,1/10W,DA,TP,2012	
				R118	2007-000468	R-CHIP:1Kohm,5%,1/10W,DA,TP,2012	
				R119	2007-001039	R-CHIP:56Kohm,5%,1/10W,DA,TP,2012	
				R120	2007-000738	R-CHIP:30Kohm,5%,1/10W,DA,TP,2012	
				R121	2007-000328	R-CHIP:11Kohm,5%,1/10W,DA,TP,2012	
				R122	2007-001039	R-CHIP:56Kohm,5%,1/10W,DA,TP,2012	
				R126	2007-000586	R-CHIP:22Kohm,5%,1/10W,DA,TP,2012	
				R127	2007-000586	R-CHIP:22Kohm,5%,1/10W,DA,TP,2012	
				R128	2007-000572	R-CHIP:220ohm,5%,1/10W,DA,TP,2012	
				R129	2007-000030	R-CHIP:560ohm,5%,1/10W,DA,TP,2012	
				R161	2007-000981	R-CHIP:5.6Kohm,5%,1/10W,DA,TP,2012	
				R162	2007-000981	R-CHIP:5.6Kohm,5%,1/10W,DA,TP,2012	
				R163	2007-000710	R-CHIP:3.9Kohm,5%,1/10W,DA,TP,2012	
				R164	2007-000710	R-CHIP:3.9Kohm,5%,1/10W,DA,TP,2012	
				R165	2007-000449	R-CHIP:180ohm,5%,1/10W,DA,TP,2012	
				R166	2007-000449	R-CHIP:180ohm,5%,1/10W,DA,TP,2012	
				R167	2007-000981	R-CHIP:5.6Kohm,5%,1/10W,DA,TP,2012	
				R168	2007-000030	R-CHIP:560ohm,5%,1/10W,DA,TP,2012	
				R169	2007-000981	R-CHIP:5.6Kohm,5%,1/10W,DA,TP,2012	
				R170	2007-000030	R-CHIP:560ohm,5%,1/10W,DA,TP,2012	
				R172	2007-000586	R-CHIP:22Kohm,5%,1/10W,DA,TP,2012	
				R173	2007-000586	R-CHIP:22Kohm,5%,1/10W,DA,TP,2012	
				R174	2007-000300	R-CHIP:10Kohm,5%,1/10W,DA,TP,2012	
				R175	2007-000586	R-CHIP:22Kohm,5%,1/10W,DA,TP,2012	
				R176	2007-000586	R-CHIP:22Kohm,5%,1/10W,DA,TP,2012	
				R177	2007-000029	R-CHIP:0ohm,5%,1/10W,DA,TP,2012	
				R198	2007-000409	R-CHIP:15Kohm,5%,1/10W,DA,TP,2012	
				R199	2007-000409	R-CHIP:15Kohm,5%,1/10W,DA,TP,2012	
				R161	2007-000774	R-CHIP:33Kohm,5%,1/10W,DA,TP,2012	
ASSY-PCB,IF							
	*	AA95-90003V ASSY-PCB,IF:-,CS7277PF/MVXT,SC751A,BG,DK					
C112	2203-000260	C-CERAMIC,CHIP:10nF,10%,50V,X7R,TP,2012,		C112	2203-000260	C-CERAMIC,CHIP:10nF,10%,50V,X7R,TP,2012,	
C113	2401-000947	C-AL:22uF,20%,35V,GP,TP,5x11,5		C113	2401-000947	C-AL:22uF,20%,35V,GP,TP,5x11,5	
C114	2401-000480	C-AL:10uF,20%,50V,GP,TP,5x11,5		C114	2401-000480	C-AL:10uF,20%,50V,GP,TP,5x11,5	
C115	2203-000192	C-CERAMIC,CHIP:100nF,+80-20%,50V,Y5V,TP,		C115	2203-000192	C-CERAMIC,CHIP:100nF,+80-20%,50V,Y5V,TP,	
C116	2203-000938	C-CERAMIC,CHIP:470pF,5%,50V,NPO,TP,2012,		C116	2203-000938	C-CERAMIC,CHIP:470pF,5%,50V,NPO,TP,2012,	
C118	2203-002392	C-CERAMIC,CHIP:220nF,+80-20%,50V,Y5V,TP,		C118	2203-002392	C-CERAMIC,CHIP:220nF,+80-20%,50V,Y5V,TP,	
C122	2201-000692	C-CERAMIC,DISC:8pF,0.5pF,50V,UJ,TP,5x3,5		C122	2201-000692	C-CERAMIC,DISC:8pF,0.5pF,50V,UJ,TP,5x3,5	
C123	2203-000444	C-CERAMIC,CHIP:1nF,10%,50V,X7R,TP,2012,-		C123	2203-000444	C-CERAMIC,CHIP:1nF,10%,50V,X7R,TP,2012,-	
C124	2201-000692	C-CERAMIC,DISC:8pF,0.5pF,50V,UJ,TP,5x3,5		C124	2201-000692	C-CERAMIC,DISC:8pF,0.5pF,50V,UJ,TP,5x3,5	
C125	2401-000660	C-AL:2.2uF,20%,50V,GP,TP,5x11,5		C125	2401-000660	C-AL:2.2uF,20%,50V,GP,TP,5x11,5	
C126	2401-001082	C-AL:330nF,20%,50V,GP,TP,5x11,5		C126	2401-001082	C-AL:330nF,20%,50V,GP,TP,5x11,5	
C127	2401-000660	C-AL:2.2uF,20%,50V,GP,TP,5x11,5		C127	2401-000660	C-AL:2.2uF,20%,50V,GP,TP,5x11,5	
C128	2203-000260	C-CERAMIC,CHIP:10nF,10%,50V,X7R,TP,2012,		C128	2203-000260	C-CERAMIC,CHIP:10nF,10%,50V,X7R,TP,2012,	
C161	2203-000260	C-CERAMIC,CHIP:10nF,10%,50V,X7R,TP,2012,		C161	2203-000260	C-CERAMIC,CHIP:10nF,10%,50V,X7R,TP,2012,	
C164	2401-000947	C-AL:22uF,20%,35V,GP,TP,5x11,5		C164	2401-000947	C-AL:22uF,20%,35V,GP,TP,5x11,5	
C165	2401-000947	C-AL:22uF,20%,35V,GP,TP,5x11,5		C165	2401-000947	C-AL:22uF,20%,35V,GP,TP,5x11,5	
C166	2203-000260	C-CERAMIC,CHIP:10nF,10%,50V,X7R,TP,2012,		C166	2203-000260	C-CERAMIC,CHIP:10nF,10%,50V,X7R,TP,2012,	
C167	2203-000260	C-CERAMIC,CHIP:10nF,10%,50V,X7R,TP,2012,		C167	2203-000260	C-CERAMIC,CHIP:10nF,10%,50V,X7R,TP,2012,	
C181	2401-001840	C-AL:100uF,20%,16V,GP,TP,6.3x11,5		C181	2401-001840	C-AL:100uF,20%,16V,GP,TP,6.3x11,5	
C182	2203-000192	C-CERAMIC,CHIP:100nF,+80-20%,50V,Y5V,TP,		C182	2203-000192	C-CERAMIC,CHIP:100nF,+80-20%,50V,Y5V,TP,	
C183	2401-001840	C-AL:100uF,20%,16V,GP,TP,6.3x11,5		C183	2401-001840	C-AL:100uF,20%,16V,GP,TP,6.3x11,5	
C184	2203-000192	C-CERAMIC,CHIP:100nF,+80-20%,50V,Y5V,TP,		C184	2203-000192	C-CERAMIC,CHIP:100nF,+80-20%,50V,Y5V,TP,	
C185	2203-000192	C-CERAMIC,CHIP:100nF,+80-20%,50V,Y5V,TP,		C185	2203-000192	C-CERAMIC,CHIP:100nF,+80-20%,50V,Y5V,TP,	
C186	2401-001840	C-AL:100uF,2					

Loc. No.	Code No.	Description ; Specification	Remark	Loc. No.	Code No.	Description ; Specification	Remark
RI163	2007-000981	R-CHIP:5.6Kohm,5%,1/10W,DA,TP,2012		CP139	2203-000239	C-CERAMIC,CHIP:100pf,5%,50V,NPO,TP,2012,	
RI166	2007-000586	R-CHIP:22Kohm,5%,1/10W,DA,TP,2012		CP140	2203-000239	C-CERAMIC,CHIP:100pf,5%,50V,NPO,TP,2012,	
RI169	2007-000030	R-CHIP:560ohm,5%,1/10W,DA,TP,2012		CP141	2203-000239	C-CERAMIC,CHIP:100pf,5%,50V,NPO,TP,2012,	
RK161	2007-000030	R-CHIP:560ohm,5%,1/10W,DA,TP,2012		CP142	2401-000199	C-AL:1000uf,20%,6.3V,GP,TP,10x12.5,	
RK162	2007-000981	R-CHIP:5.6Kohm,5%,1/10W,DA,TP,2012		CP143	2401-002619	C-AL:47uf,20%,25V,GP,TP,5x11.5	
RK163	2007-000941	R-CHIP:47Kohm,5%,1/10W,DA,TP,2012		CP144	2203-000221	C-CERAMIC,CHIP:100nf,20%,50V,Y5V,TP,3216	
RK164	2007-000586	R-CHIP:22Kohm,5%,1/10W,DA,TP,2012		CP145	2203-000221	C-CERAMIC,CHIP:100nf,20%,50V,Y5V,TP,3216	
RK165	2007-000586	R-CHIP:22Kohm,5%,1/10W,DA,TP,2012		CP201	2203-000325	C-CERAMIC,CHIP:12nf,10%,50V,X7R,TP,3216,	
RK166	2007-000030	R-CHIP:560ohm,5%,1/10W,DA,TP,2012		CP203	2401-002144	C-AL:47uf,20%,16V,GP,TP,5x11.5	
RL112	2001-000734	R-CARBON:4.7Kohm,5%,1/8W,AA,TP,1.8x3.2mm		CP204	2203-000221	C-CERAMIC,CHIP:100nf,20%,50V,Y5V,TP,3216	
RN111	2007-000941	R-CHIP:47Kohm,5%,1/10W,DA,TP,2012		CP205	2401-001271	C-AL:4.7UF,20%,50V,GP,TP,4X7,5MM	
RN112	2007-000981	R-CHIP:5.6Kohm,5%,1/10W,DA,TP,2012		CP206	2203-000221	C-CERAMIC,CHIP:100nf,20%,50V,Y5V,TP,3216	
RN113	2007-000941	R-CHIP:47Kohm,5%,1/10W,DA,TP,2012		CP207	2401-000480	C-AL:10uf,20%,50V,GP,TP,5x11.5	
RN114	2007-000941	R-CHIP:47Kohm,5%,1/10W,DA,TP,2012		CP208	2203-000221	C-CERAMIC,CHIP:100nf,20%,50V,Y5V,TP,3216	
RN117	2001-000786	R-CARBON:47Kohm,5%,1/8W,AA,TP,1.8x3.2mm		CP209	2401-001914	C-AL:1uf,20%,50V,BP,TP,5x11.5	
RN118	2007-000282	R-CHIP:100Kohm,5%,1/10W,DA,TP,2012		CP210	2401-000603	C-AL:1uf,20%,50V,GP,TP,5x11.5	
RN119	2007-000282	R-CHIP:100Kohm,5%,1/10W,DA,TP,2012		CP211	2401-000603	C-AL:1uf,20%,50V,GP,TP,5x11.5	
RN161	2007-000586	R-CHIP:22Kohm,5%,1/10W,DA,TP,2012		CP213	2401-000603	C-AL:1uf,20%,50V,GP,TP,5x11.5	
RN162	2007-000030	R-CHIP:560ohm,5%,1/10W,DA,TP,2012		CP214	2203-000578	C-CERAMIC,CHIP:220nf,20%,50V,Y5V,TP,3216	
RN163	2007-000941	R-CHIP:47Kohm,5%,1/10W,DA,TP,2012		CP215	2401-000603	C-AL:1uf,20%,50V,GP,TP,5x11.5	
RN164	2007-001071	R-CHIP:6.8Kohm,5%,1/10W,DA,TP,2012		CP216	2203-000221	C-CERAMIC,CHIP:100nf,20%,50V,Y5V,TP,3216	
RN165	2007-000941	R-CHIP:47Kohm,5%,1/10W,DA,TP,2012		CP217	2203-000578	C-CERAMIC,CHIP:220nf,20%,50V,Y5V,TP,3216	
RN166	2007-001071	R-CHIP:6.8Kohm,5%,1/10W,DA,TP,2012		CP218	2203-002085	C-CERAMIC,CHIP:56nf,10%,50V,X7R,TP,2012,	
RN167	2007-000941	R-CHIP:47Kohm,5%,1/10W,DA,TP,2012		CP219	2203-000495	C-CERAMIC,CHIP:2.2nf,10%,50V,X7R,TP,2012	
VR111	2103-000665	VR-SEMI:20Kohm,25%,1/5W,SIDE		CP220	2203-000578	C-CERAMIC,CHIP:220nf,20%,50V,Y5V,TP,3216	
Z111	2904-000253	FILTER-SAW AV:33.9MHZ,DIP10P,ST,17.1DB,P		CP221	2203-000221	C-CERAMIC,CHIP:100nf,20%,50V,Y5V,TP,3216	
Z112	2903-001019	FILTER-CERAMIC:TR,5.5/5.742MHZ,-,-,-,TP,		CP301	2401-001840	C-AL:100uf,20%,16V,GP,TP,6.3x11.5	
Z161	2904-000300	FILTER-SAW AV:38.90MHZ,SIP5K,ST,13.2dB,P		CP302	2203-000221	C-CERAMIC,CHIP:100nf,20%,50V,Y5V,TP,3216	
Z162	2904-000303	FILTER-SAW AV:38.90MHZ,-,ST,14.6dB,SECAM		CP303	2401-002144	C-AL:47uf,20%,16V,GP,TP,5x11.5	
Z163	2903-000185	FILTER-CERAMIC:BP,5.5MHZ,+75KHz,6dB,-,T		CP304	2203-000221	C-CERAMIC,CHIP:100nf,20%,50V,Y5V,TP,3216	
Z167	2903-000189	FILTER-CERAMIC:BP,5.74MHZ,+50KHz,8dB,-,		CP305	2203-000389	C-CERAMIC,CHIP:15pf,5%,50V,NPO,TP,2012,-	
Z168	2903-000189	FILTER-CERAMIC:BP,5.74MHZ,+50KHz,8dB,-,		CP306	2203-000389	C-CERAMIC,CHIP:15pf,5%,50V,NPO,TP,2012,-	
Z161	2903-000277	FILTER-CERAMIC:BP,6.0MHZ,60KHz,6.0dB,-,T		CP308	2203-001245	C-CERAMIC,CHIP:82pf,5%,50V,NPO,TP,2012,-	
ZK163	2903-000202	FILTER-CERAMIC:BP,6.5MHZ,+80KHz,6dB,-,T		DP101	0401-000160	DIODE-SWITCHING:ISS314,30V,100mA,USC,TP	
ZN111	2903-001022	FILTER-CERAMIC:TR,4.5MHZ,-,0.5dB,-,TP,-		DP103	0403-000563	DIODE-ZENER:MTZ9.1B,9.1V,8.57-9.01V,500m	
ZN161	2903-000135	FILTER-CERAMIC:BP,4.5MHZ,+60KHz,6dB,-,T		DP105	0401-000160	DIODE-SWITCHING:ISS314,30V,100mA,USC,TP	
ZN162	2903-000135	FILTER-CERAMIC:BP,4.5MHZ,+60KHz,6dB,-,T		DP201	0403-000662	DIODE-ZENER:MTZ3.0B,3.0V,3.01-3.22V,500m	
ASSY-PCB,PIP							
*	AA95-90003	WASSY-PCB,PIP,-,CS7277PF/MVTX,SC751A,BG,D		ICP101	1204-000530	IC-PAL/NTSC DECODER:TDA9160A,DIP,32P,400	
CNP01	3711-002709	CONNECTOR-HEADER:NOWALL,12P,1R,2.5MM,ANG		ICP102	1204-000560	IC-DEMULATOR:TDA9815,DIP,32P,400MIL,PL	
CNP03	3711-002709	CONNECTOR-HEADER:NOWALL,12P,1R,2.5MM,ANG		ICP103	AA13-20003F	IC-HYBRID:-,PAP101,SIP,5PPREAMPBK	
CP101	2203-000221	C-CERAMIC,CHIP:100nf,20%,50V,Y5V,TP,3216		ICP105	1204-000635	IC-PICTURE PROCESS:SDA9189X,SOP,32P,350M	
CP102	2401-000922	C-AL:22uf,20%,16V,GP,TP,5x5.5		ICP201	1002-000206	IC-A/D CONVERTER:SDA9187-2X,6BIT,SOP,28P	
CP103	2203-000429	C-CERAMIC,CHIP:18pf,5%,50V,NPO,TP,2012,-		LP101	2701-000114	INDUCTOR-AXIAL:10uH,10%,2.5x3.4mm	
CP104	2203-000192	C-CERAMIC,CHIP:100nf,+80-20%,50V,Y5V,TP,		LP102	2701-000219	INDUCTOR-AXIAL:820nH,10%,2.5x3.4mm	
CP105	2203-000717	C-CERAMIC,CHIP:3.3nf,10%,50V,X7R,TP,3216		LP103	2701-000114	INDUCTOR-AXIAL:10uH,10%,2.5x3.4mm	
CP106	2203-000612	C-CERAMIC,CHIP:22nf,10%,50V,X7R,TP,3216,		LP104	2701-000114	INDUCTOR-AXIAL:10uH,10%,2.5x3.4mm	
CP107	2203-000221	C-CERAMIC,CHIP:100nf,20%,50V,Y5V,TP,3216		LP105	2701-000114	INDUCTOR-AXIAL:10uH,10%,2.5x3.4mm	
CP108	2203-000221	C-CERAMIC,CHIP:100nf,20%,50V,Y5V,TP,3216		LP201	2701-000197	INDUCTOR-AXIAL:5.6uH,10%,2.5x3.4mm	
CP110	2203-000221	C-CERAMIC,CHIP:100nf,20%,50V,Y5V,TP,3216		LP202	2701-000114	INDUCTOR-AXIAL:10uH,10%,2.5x3.4mm	
CP111	2203-000716	C-CERAMIC,CHIP:3.3nf,10%,50V,X7R,TP,2012		LP301	2701-000114	INDUCTOR-AXIAL:10uH,10%,2.5x3.4mm	
CP112	2401-000660	C-AL:2.2uf,20%,50V,GP,TP,5x11.5		LP302	2701-000114	INDUCTOR-AXIAL:10uH,10%,2.5x3.4mm	
CP113	2203-000891	C-CERAMIC,CHIP:4.7nf,10%,50V,X7R,TP,2012		QP101	0501-000342	TR-SMALL SIGNAL:KSC1623-Y,NPN,200mW,SOT-	
CP114	2203-000221	C-CERAMIC,CHIP:100nf,20%,50V,Y5V,TP,3216		QP102	0501-000342	TR-SMALL SIGNAL:KSC1623-Y,NPN,200mW,SOT-	
CP115	2203-000221	C-CERAMIC,CHIP:100nf,20%,50V,Y5V,TP,3216		QP103	0501-000280	TR-SMALL SIGNAL:KSA1182,PNP,150mW,SOT-23	
CP116	2203-000753	C-CERAMIC,CHIP:330nf,+80-20%,50V,Y5V,TP,		QP104	0501-000342	TR-SMALL SIGNAL:KSC1623-Y,NPN,200mW,SOT-	
CP117	2401-002619	C-AL:47uf,20%,25V,GP,TP,5x11.5		QP105	0501-000342	TR-SMALL SIGNAL:KSC1623-Y,NPN,200mW,SOT-	
CP118	2203-000221	C-CERAMIC,CHIP:100nf,20%,50V,Y5V,TP,3216		QP106	0501-000342	TR-SMALL SIGNAL:KSC1623-Y,NPN,200mW,SOT-	
CP120	2203-000221	C-CERAMIC,CHIP:100nf,20%,50V,Y5V,TP,3216		QP201	0501-000342	TR-SMALL SIGNAL:KSC1623-Y,NPN,200mW,SOT-	
CP121	2401-000660	C-AL:2.2uf,20%,50V,GP,TP,5x11.5		QP202	0501-000342	TR-SMALL SIGNAL:KSC1623-Y,NPN,200mW,SOT-	
CP123	2203-000260	C-CERAMIC,CHIP:10nf,10%,50V,X7R,TP,2012,		QP203	0501-000280	TR-SMALL SIGNAL:KSA1182,PNP,150mW,SOT-23	
CP124	2401-000660	C-AL:2.2uf,20%,50V,GP,TP,5x11.5		QP204	0501-000342	TR-SMALL SIGNAL:KSC1623-Y,NPN,200mW,SOT-	
CP125	2203-000260	C-CERAMIC,CHIP:10nf,10%,50V,X7R,TP,2012,		QP205	0501-000342	TR-SMALL SIGNAL:KSC1623-Y,NPN,200mW,SOT-	
CP126	2401-001840	C-AL:100uf,20%,16V,GP,TP,6.3x11.5		QP206	0501-000342	TR-SMALL SIGNAL:KSC1623-Y,NPN,200mW,SOT-	
CP127	2203-000221	C-CERAMIC,CHIP:100nf,20%,50V,Y5V,TP,3216		QP302	0501-000342	TR-SMALL SIGNAL:KSC1623-Y,NPN,200mW,SOT-	
CP129	2203-000260	C-CERAMIC,CHIP:10nf,10%,50V,X7R,TP,2012,		QP303	0501-000280	TR-SMALL SIGNAL:KSA1182,PNP,150mW,SOT-23	
CP130	2203-000239	C-CERAMIC,CHIP:100pf,5%,50V,NPO,TP,2012,		QP304	0501-000280	TR-SMALL SIGNAL:KSA1182,PNP,150mW,SOT-23	
CP132	2203-000239	C-CERAMIC,CHIP:100pf,5%,50V,NPO,TP,2012,		QP305	0501-000280	TR-SMALL SIGNAL:KSA1182,PNP,150mW,SOT-23	
CP133	2203-000221	C-CERAMIC,CHIP:100nf,20%,50V,Y5V,TP,3216		RC129	2007-000586	R-CHIP:22Kohm,5%,1/10W,DA,TP,2012	
CP134	2401-001026	C-AL:3.3uf,20%,50V,GP,TP,5x11mm,5mm		RP101	2007-001208	R-CHIP:82Kohm,5%,1/10W,DA,TP,2012	
CP135	2401-002144	C-AL:47uf,20%,16V,GP,TP,5x11.5		RP103	2007-000290	R-CHIP:100ohm,5%,1/10W,DA,TP,2012	
CP136	2203-000260	C-CERAMIC,CHIP:10nf,10%,50V,X7R,TP,2012,		RP104	2007-000468	R-CHIP:1Kohm,5%,1/10W,DA,TP,2012	
CP137	2203-000938	C-CERAMIC,CHIP:470pf,5%,50V,NPO,TP,2012,		RP105	2007-000328	R-CHIP:11Kohm,5%,1/10W,DA,TP,2012	
				RP106	2007-000774	R-CHIP:33Kohm,5%,1/10W,DA,TP,2012	
				RP107	2007-000409	R-CHIP:15Kohm,5%,1/10W,DA,TP,2012	
				RP108	2007-000493	R-CHIP:2.2Kohm,5%,1/10W,DA,TP,2012	
				RP109	2007-000830	R-CHIP:39Kohm,5%,1/10W,DA,TP,2012	
				RP110	2007-000300	R-CHIP:10Kohm,5%,1/10W,DA,TP,2012	

Loc. No.	Code No.	Description ; Specification	Remark	Loc. No.	Code No.	Description ; Specification	Remark
C186	2404-000125	C-TA,CHIP;10uF,20%,16V,-,TP;5054,1.5mm		IC136	1001-000105	IC-ANALOG SWITCH;CD4066BM,BILATERAL CMOS	
C187	2203-001680	C-CERAMIC,CHIP;68nF,20%,50V,Y5V,TP,2012,		IC141	1103-000139	IC-EEPROM;24C16,2KX8BIT,DIP8P,300MIL,10	
C188	2404-000125	C-TA,CHIP;10uF,20%,16V,-,TP;5054,1.5mm		IC143	AA13-10001X	IC-ASIC-,.DCS04,0FP,160P,CONV CONTROLL	
C189	2404-000125	C-TA,CHIP;10uF,20%,16V,-,TP;5054,1.5mm		IC144	1203-000641	IC-RESET;7442,TO-92,3P,-,PLASTIC,-,0.3/7	
C190	2203-001680	C-CERAMIC,CHIP;68nF,20%,50V,Y5V,TP,2012,		L100	AA26-10001Y	TRANS-IF,-,5CA,IF,10uH,5mm,-,2.52MHz,ST	
C191	2305-000289	C-FILM,MPEF;220nF,5%,63V,TP,-,5mm		L102	2703-000248	INDUCTOR-SMD;820uH,5%,3.2x4.5x3.2mm	
C193	2404-000123	C-TA,CHIP;10uF,20%,16V,-,TP;6032,2.9mm		L103	2703-000248	INDUCTOR-SMD;820uH,5%,3.2x4.5x3.2mm	
C194	2203-001680	C-CERAMIC,CHIP;68nF,20%,50V,Y5V,TP,2012,		L104	2703-000248	INDUCTOR-SMD;820uH,5%,3.2x4.5x3.2mm	
C195	2404-000275	C-TA,CHIP;100uF,10%,10V,-,TP;7343,7.3mm		L105	2703-000248	INDUCTOR-SMD;820uH,5%,3.2x4.5x3.2mm	
C196	2203-000634	C-CERAMIC,CHIP;22pF,5%,50V,NPO,TP,2012,-		L106	2703-000248	INDUCTOR-SMD;820uH,5%,3.2x4.5x3.2mm	
C197	2203-000634	C-CERAMIC,CHIP;22pF,5%,50V,NPO,TP,2012,-		L107	2703-000248	INDUCTOR-SMD;820uH,5%,3.2x4.5x3.2mm	
C198	2203-000634	C-CERAMIC,CHIP;22pF,5%,50V,NPO,TP,2012,-		L108	2703-000155	INDUCTOR-SMD;1mH,5%,3.2x4.5x3.2mm	
C201	2203-000192	C-CERAMIC,CHIP;100nF,+80-20%,50V,Y5V,TP,		L109	2703-000155	INDUCTOR-SMD;1mH,5%,3.2x4.5x3.2mm	
C202	2203-000683	C-CERAMIC,CHIP;27pF,5%,50V,NPO,TP,2012,-		L110	2703-000155	INDUCTOR-SMD;1mH,5%,3.2x4.5x3.2mm	
C203	2203-000429	C-CERAMIC,CHIP;18pF,5%,50V,NPO,TP,2012,-		L111	2703-000155	INDUCTOR-SMD;1mH,5%,3.2x4.5x3.2mm	
C204	2203-000683	C-CERAMIC,CHIP;27pF,5%,50V,NPO,TP,2012,-		L112	2703-000155	INDUCTOR-SMD;1mH,5%,3.2x4.5x3.2mm	
C205	2203-001002	C-CERAMIC,CHIP;47pF,5%,50V,NPO,TP,2012,-		L113	2703-000155	INDUCTOR-SMD;1mH,5%,3.2x4.5x3.2mm	
C207	2203-001680	C-CERAMIC,CHIP;68nF,20%,50V,Y5V,TP,2012,		L121	2901-000297	FILTER-EMI ON BOARD;-,.3A,-,-,3.5x5,TP-	
C208	2203-000444	C-CERAMIC,CHIP;1nF,10%,50V,X7R,TP,2012,-		Q100	0501-000342	TR-SMALL SIGNAL;KSC1623-Y,NPN,200mW,SOT-	
C209	2203-000260	C-CERAMIC,CHIP;10nF,10%,50V,X7R,TP,2012,		Q101	0501-000342	TR-SMALL SIGNAL;KSC1623-Y,NPN,200mW,SOT-	
C210	2404-000123	C-TA,CHIP;10uF,20%,16V,-,TP;6032,2.9mm		Q102	0501-000342	TR-SMALL SIGNAL;KSC1623-Y,NPN,200mW,SOT-	
C220	2203-001002	C-CERAMIC,CHIP;47pF,5%,50V,NPO,TP,2012,-		Q103	0501-000342	TR-SMALL SIGNAL;KSC1623-Y,NPN,200mW,SOT-	
C301	2203-000634	C-CERAMIC,CHIP;22pF,5%,50V,NPO,TP,2012,-		Q104	0501-000342	TR-SMALL SIGNAL;KSC1623-Y,NPN,200mW,SOT-	
C302	2203-000634	C-CERAMIC,CHIP;22pF,5%,50V,NPO,TP,2012,-		Q105	0501-000342	TR-SMALL SIGNAL;KSC1623-Y,NPN,200mW,SOT-	
C303	2203-000634	C-CERAMIC,CHIP;22pF,5%,50V,NPO,TP,2012,-		Q106	0501-000342	TR-SMALL SIGNAL;KSC1623-Y,NPN,200mW,SOT-	
C304	2203-000192	C-CERAMIC,CHIP;100nF,+80-20%,50V,Y5V,TP,		Q107	0501-000342	TR-SMALL SIGNAL;KSC1623-Y,NPN,200mW,SOT-	
CNZ01	3711-001164	CONNECTOR-HEADER;BOX,9P,1R,2.5mm,ANGLE,-		Q108	0501-000342	TR-SMALL SIGNAL;KSC1623-Y,NPN,200mW,SOT-	
CNZ02	3711-001094	CONNECTOR-HEADER;BOX,7P,1R,2.5mm,ANGLE,-		Q109	0501-000342	TR-SMALL SIGNAL;KSC1623-Y,NPN,200mW,SOT-	
CNZ03	3711-001049	CONNECTOR-HEADER;BOX,6P,1R,2.5mm,ANGLE,-		Q110	0501-000342	TR-SMALL SIGNAL;KSC1623-Y,NPN,200mW,SOT-	
CP101	2901-000233	FILTER-EMI SMD;50V,300mA,-,330pF,4.5x1.8		Q111	0501-000342	TR-SMALL SIGNAL;KSC1623-Y,NPN,200mW,SOT-	
CP102	2901-000233	FILTER-EMI SMD;50V,300mA,-,330pF,4.5x1.8		Q112	0501-000342	TR-SMALL SIGNAL;KSC1623-Y,NPN,200mW,SOT-	
CP103	2901-000229	FILTER-EMI SMD;50V,300mA,-,22nF,4.5x1.8x		Q113	0501-000342	TR-SMALL SIGNAL;KSC1623-Y,NPN,200mW,SOT-	
CP104	2901-000229	FILTER-EMI SMD;50V,300mA,-,22nF,4.5x1.8x		Q114	0501-000342	TR-SMALL SIGNAL;KSC1623-Y,NPN,200mW,SOT-	
CP105	2901-000229	FILTER-EMI SMD;50V,300mA,-,22nF,4.5x1.8x		Q115	0501-000342	TR-SMALL SIGNAL;KSC1623-Y,NPN,200mW,SOT-	
CP106	2901-000229	FILTER-EMI SMD;50V,300mA,-,22nF,4.5x1.8x		Q116	0501-000342	TR-SMALL SIGNAL;KSC1623-Y,NPN,200mW,SOT-	
CP107	2901-000229	FILTER-EMI SMD;50V,300mA,-,22nF,4.5x1.8x		Q117	0501-000342	TR-SMALL SIGNAL;KSC1623-Y,NPN,200mW,SOT-	
CP108	2901-000232	FILTER-EMI SMD;50V,300mA,-,10nF,4.5x1.8x		Q118	0501-000342	TR-SMALL SIGNAL;KSC1623-Y,NPN,200mW,SOT-	
CP109	2901-000232	FILTER-EMI SMD;50V,300mA,-,10nF,4.5x1.8x		Q119	0501-000342	TR-SMALL SIGNAL;KSC1623-Y,NPN,200mW,SOT-	
CP110	2901-000232	FILTER-EMI SMD;50V,300mA,-,10nF,4.5x1.8x		Q120	0501-000342	TR-SMALL SIGNAL;KSC1623-Y,NPN,200mW,SOT-	
CP120	2901-000226	FILTER-EMI SMD;25V,200mA,-,100pF,3.2x1.2		Q121	0501-000342	TR-SMALL SIGNAL;KSC1623-Y,NPN,200mW,SOT-	
CP121	2901-000226	FILTER-EMI SMD;25V,200mA,-,100pF,3.2x1.2		Q122	0501-000342	TR-SMALL SIGNAL;KSC1623-Y,NPN,200mW,SOT-	
CP122	2901-000226	FILTER-EMI SMD;25V,200mA,-,100pF,3.2x1.2		Q123	0501-000342	TR-SMALL SIGNAL;KSC1623-Y,NPN,200mW,SOT-	
CP123	2901-000226	FILTER-EMI SMD;25V,200mA,-,100pF,3.2x1.2		Q124	0501-000342	TR-SMALL SIGNAL;KSC1623-Y,NPN,200mW,SOT-	
CP124	2901-000226	FILTER-EMI SMD;25V,200mA,-,100pF,3.2x1.2		Q125	0501-000342	TR-SMALL SIGNAL;KSC1623-Y,NPN,200mW,SOT-	
CP125	2901-000226	FILTER-EMI SMD;25V,200mA,-,100pF,3.2x1.2		Q126	0501-000342	TR-SMALL SIGNAL;KSC1623-Y,NPN,200mW,SOT-	
CP126	2901-000226	FILTER-EMI SMD;25V,200mA,-,100pF,3.2x1.2		Q127	0501-000342	TR-SMALL SIGNAL;KSC1623-Y,NPN,200mW,SOT-	
CP127	2901-000226	FILTER-EMI SMD;25V,200mA,-,100pF,3.2x1.2		Q128	0501-000342	TR-SMALL SIGNAL;KSC1623-Y,NPN,200mW,SOT-	
D100	0401-000003	DIODE-SWITCHING;1SS193,80V,100mA,SOT-23,		Q129	0501-000342	TR-SMALL SIGNAL;KSC1623-Y,NPN,200mW,SOT-	
D101	0405-000128	DIODE-VARACTOR;1SV214,30V,10nA,USC,TP		Q130	0501-000342	TR-SMALL SIGNAL;KSC1623-Y,NPN,200mW,SOT-	
D104	0403-000689	DIODE-ZENER;DTZ5.1A,5.1V,4.84-5.04V,200m		Q131	0501-000342	TR-SMALL SIGNAL;KSC1623-Y,NPN,200mW,SOT-	
D105	0401-000003	DIODE-SWITCHING;1SS193,80V,100mA,SOT-23,		Q132	0501-000342	TR-SMALL SIGNAL;KSC1623-Y,NPN,200mW,SOT-	
D106	0401-000003	DIODE-SWITCHING;1SS193,80V,100mA,SOT-23,		Q133	0501-000342	TR-SMALL SIGNAL;KSC1623-Y,NPN,200mW,SOT-	
D110	0401-000008	DIODE-SWITCHING;DAN217,80V,100mA,SOT-23,		Q134	0501-000342	TR-SMALL SIGNAL;KSC1623-Y,NPN,200mW,SOT-	
D111	0401-000003	DIODE-SWITCHING;1SS193,80V,100mA,SOT-23,		Q135	0501-000342	TR-SMALL SIGNAL;KSC1623-Y,NPN,200mW,SOT-	
D112	0401-000008	DIODE-SWITCHING;DAN217,80V,100mA,SOT-23,		Q136	0501-000342	TR-SMALL SIGNAL;KSC1623-Y,NPN,200mW,SOT-	
D113	0401-000003	DIODE-SWITCHING;1SS193,80V,100mA,SOT-23,		Q137	0501-000342	TR-SMALL SIGNAL;KSC1623-Y,NPN,200mW,SOT-	
D114	0401-000008	DIODE-SWITCHING;DAN217,80V,100mA,SOT-23,		Q138	0501-000280	TR-SMALL SIGNAL;KSA1182,PNP,150mW,SOT-23	
D115	0401-000003	DIODE-SWITCHING;1SS193,80V,100mA,SOT-23,		Q139	0501-000280	TR-SMALL SIGNAL;KSA1182,PNP,150mW,SOT-23	
D118	0403-000689	DIODE-ZENER;DTZ5.1A,5.1V,4.84-5.04V,200m		Q140	0501-000280	TR-SMALL SIGNAL;KSA1182,PNP,150mW,SOT-23	
D119	0403-000689	DIODE-ZENER;DTZ5.1A,5.1V,4.84-5.04V,200m		Q141	0501-000280	TR-SMALL SIGNAL;KSA1182,PNP,150mW,SOT-23	
D200	0403-000689	DIODE-ZENER;DTZ5.1A,5.1V,4.84-5.04V,200m		Q142	0501-000280	TR-SMALL SIGNAL;KSA1182,PNP,150mW,SOT-23	
D201	0403-000689	DIODE-ZENER;DTZ5.1A,5.1V,4.84-5.04V,200m		Q143	0501-000280	TR-SMALL SIGNAL;KSA1182,PNP,150mW,SOT-23	
D202	0403-000689	DIODE-ZENER;DTZ5.1A,5.1V,4.84-5.04V,200m		Q144	0501-000280	TR-SMALL SIGNAL;KSA1182,PNP,150mW,SOT-23	
D203	0403-000689	DIODE-ZENER;DTZ5.1A,5.1V,4.84-5.04V,200m		Q145	0501-000280	TR-SMALL SIGNAL;KSA1182,PNP,150mW,SOT-23	
D204	0403-000689	DIODE-ZENER;DTZ5.1A,5.1V,4.84-5.04V,200m		Q200	0505-000257	FET-SILICON;2SK217,N,-,20mA,-,150mW,SOT-	
D205	0403-000689	DIODE-ZENER;DTZ5.1A,5.1V,4.84-5.04V,200m		Q201	0505-000257	FET-SILICON;2SK217,N,-,20mA,-,150mW,SOT-	
D206	0403-000689	DIODE-ZENER;DTZ5.1A,5.1V,4.84-5.04V,200m		Q202	0505-000257	FET-SILICON;2SK217,N,-,20mA,-,150mW,SOT-	
D207	0403-000689	DIODE-ZENER;DTZ5.1A,5.1V,4.84-5.04V,200m		Q203	0505-000257	FET-SILICON;2SK217,N,-,20mA,-,150mW,SOT-	
IC104	1001-000105	IC-ANALOG SWITCH;CD4066BM,BILATERAL CMOS		Q204	0505-000257	FET-SILICON;2SK217,N,-,20mA,-,150mW,SOT-	
IC106	1201-000167	IC-OP AMP;358,SOP,8P,150MIL,DUAL,100V/mV		Q205	0505-000257	FET-SILICON;2SK217,N,-,20mA,-,150mW,SOT-	
IC112	AA13-30006B	IC-MCU;-AT89C52-24,-,DIP,-,40P,600MI		R100	2007-000282	R-CHIP;100Kohm,5%,1/10W,DA,TP,2012	
IC113	1002-000131	IC-A/D&D/A CONVERTER;PCM55HP,16BIT,SOP,2		R101	2007-000282	R-CHIP;100Kohm,5%,1/10W,DA,TP,2012	
IC114	1002-000131	IC-A/D&D/A CONVERTER;PCM55HP,16BIT,SOP,2		R102	2007-000468	R-CHIP;1Kohm,5%,1/10W,DA,TP,2012	
IC115	1002-000131	IC-A/D&D/A CONVERTER;PCM55HP,16BIT,SOP,2		R103	2007-000468	R-CHIP;1Kohm,5%,1/10W,DA,TP,2012	
IC132	0801-001156	IC-CMOS LOGIC;74HC4066,BILATERAL SWITCH,		R104	2007-000468	R-CHIP;1Kohm,5%,1/10W,DA,TP,2012	
IC133	0801-001156	IC-CMOS LOGIC;74HC4066,BILATERAL SWITCH,		R105	2007-000586	R-CHIP;22Kohm,5%,1/10W,DA,TP,2012	
IC135	1001-000105	IC-ANALOG SWITCH;CD4066BM,BILATERAL CMOS		R106	2007-000468	R-CHIP;1Kohm,5%,1/10W,DA,TP,2012	

Electric Parts List

Loc. No.	Code No.	Description ; Specification	Remark	Loc. No.	Code No.	Description ; Specification	Remark
R107	2007-000468	R-CHIP;1Kohm,5%,1/10W,DA,TP,2012		R217	2007-000290	R-CHIP;100ohm,5%,1/10W,DA,TP,2012	
R108	2007-000468	R-CHIP;1Kohm,5%,1/10W,DA,TP,2012		R218	2007-000981	R-CHIP;5.6Kohm,5%,1/10W,DA,TP,2012	
R109	2007-000872	R-CHIP;4.7Kohm,5%,1/10W,DA,TP,2012		R219	2007-000872	R-CHIP;4.7Kohm,5%,1/10W,DA,TP,2012	
R110	2007-000409	R-CHIP;15Kohm,5%,1/10W,DA,TP,2012		R220	2007-000030	R-CHIP;560ohm,5%,1/10W,DA,TP,2012	
R111	2007-000572	R-CHIP;220ohm,5%,1/10W,DA,TP,2012		R221	2007-000290	R-CHIP;100ohm,5%,1/10W,DA,TP,2012	
R112	2007-000409	R-CHIP;15Kohm,5%,1/10W,DA,TP,2012		R222	2007-000981	R-CHIP;5.6Kohm,5%,1/10W,DA,TP,2012	
R113	2007-000468	R-CHIP;1Kohm,5%,1/10W,DA,TP,2012		R223	2007-000872	R-CHIP;4.7Kohm,5%,1/10W,DA,TP,2012	
R114	2007-000586	R-CHIP;22Kohm,5%,1/10W,DA,TP,2012		R224	2007-000030	R-CHIP;560ohm,5%,1/10W,DA,TP,2012	
R115	2007-000830	R-CHIP;39Kohm,5%,1/10W,DA,TP,2012		R225	2007-000290	R-CHIP;100ohm,5%,1/10W,DA,TP,2012	
R116	2007-000468	R-CHIP;1Kohm,5%,1/10W,DA,TP,2012		R226	2007-000981	R-CHIP;5.6Kohm,5%,1/10W,DA,TP,2012	
R118	2007-000830	R-CHIP;39Kohm,5%,1/10W,DA,TP,2012		R227	2007-000872	R-CHIP;4.7Kohm,5%,1/10W,DA,TP,2012	
R119	2007-000586	R-CHIP;22Kohm,5%,1/10W,DA,TP,2012		R228	2007-000030	R-CHIP;560ohm,5%,1/10W,DA,TP,2012	
R120	2007-000415	R-CHIP;15Kohm,5%,1/10W,DA,TP,2012		R229	2007-000290	R-CHIP;100ohm,5%,1/10W,DA,TP,2012	
R121	2007-000300	R-CHIP;10Kohm,5%,1/10W,DA,TP,2012		R230	2007-000981	R-CHIP;5.6Kohm,5%,1/10W,DA,TP,2012	
R122	2007-000586	R-CHIP;22Kohm,5%,1/10W,DA,TP,2012		R231	2007-000872	R-CHIP;4.7Kohm,5%,1/10W,DA,TP,2012	
R123	2007-000282	R-CHIP;100Kohm,5%,1/10W,DA,TP,2012		R232	2007-000030	R-CHIP;560ohm,5%,1/10W,DA,TP,2012	
R124	2103-000677	VR-SEMI;5Kohm,25%,1/5W,TOP		R233	2007-000290	R-CHIP;100ohm,5%,1/10W,DA,TP,2012	
R125	2007-000586	R-CHIP;22Kohm,5%,1/10W,DA,TP,2012		R234	2007-000981	R-CHIP;5.6Kohm,5%,1/10W,DA,TP,2012	
R130	2007-000872	R-CHIP;4.7Kohm,5%,1/10W,DA,TP,2012		R235	2007-000872	R-CHIP;4.7Kohm,5%,1/10W,DA,TP,2012	
R131	2007-000872	R-CHIP;4.7Kohm,5%,1/10W,DA,TP,2012		R236	2007-000586	R-CHIP;22Kohm,5%,1/10W,DA,TP,2012	
R132	2007-000872	R-CHIP;4.7Kohm,5%,1/10W,DA,TP,2012		R237	2007-000300	R-CHIP;10Kohm,5%,1/10W,DA,TP,2012	
R133	2007-000872	R-CHIP;4.7Kohm,5%,1/10W,DA,TP,2012		R238	2007-001039	R-CHIP;56Kohm,5%,1/10W,DA,TP,2012	
R134	2007-000872	R-CHIP;4.7Kohm,5%,1/10W,DA,TP,2012		R239	2007-000030	R-CHIP;560ohm,5%,1/10W,DA,TP,2012	
R135	2007-000872	R-CHIP;4.7Kohm,5%,1/10W,DA,TP,2012		R240	2007-000355	R-CHIP;12Kohm,5%,1/10W,DA,TP,2012	
R136	2007-000872	R-CHIP;4.7Kohm,5%,1/10W,DA,TP,2012		R241	2007-001039	R-CHIP;56Kohm,5%,1/10W,DA,TP,2012	
R137	2007-000872	R-CHIP;4.7Kohm,5%,1/10W,DA,TP,2012		R242	2007-000030	R-CHIP;560ohm,5%,1/10W,DA,TP,2012	
R138	2007-000468	R-CHIP;1Kohm,5%,1/10W,DA,TP,2012		R243	2007-000355	R-CHIP;12Kohm,5%,1/10W,DA,TP,2012	
R139	2007-001097	R-CHIP;62Kohm,5%,1/10W,DA,TP,2012		R244	2007-001039	R-CHIP;56Kohm,5%,1/10W,DA,TP,2012	
R140	2007-000304	R-CHIP;10Mohm,5%,1/10W,DA,TP,2012		R245	2007-000030	R-CHIP;560ohm,5%,1/10W,DA,TP,2012	
R141	2007-000468	R-CHIP;1Kohm,5%,1/10W,DA,TP,2012		R246	2007-000355	R-CHIP;12Kohm,5%,1/10W,DA,TP,2012	
R142	2007-000300	R-CHIP;10Kohm,5%,1/10W,DA,TP,2012		R247	2007-001039	R-CHIP;56Kohm,5%,1/10W,DA,TP,2012	
R159	2007-000221	R-CHIP;1.2Kohm,5%,1/10W,DA,TP,2012		R248	2007-000030	R-CHIP;560ohm,5%,1/10W,DA,TP,2012	
R160	2007-000300	R-CHIP;10Kohm,5%,1/10W,DA,TP,2012		R249	2007-000355	R-CHIP;12Kohm,5%,1/10W,DA,TP,2012	
R162	2007-000300	R-CHIP;10Kohm,5%,1/10W,DA,TP,2012		R250	2007-001039	R-CHIP;56Kohm,5%,1/10W,DA,TP,2012	
R163	2007-000300	R-CHIP;10Kohm,5%,1/10W,DA,TP,2012		R251	2007-000030	R-CHIP;560ohm,5%,1/10W,DA,TP,2012	
R164	2007-000300	R-CHIP;10Kohm,5%,1/10W,DA,TP,2012		R252	2007-000355	R-CHIP;12Kohm,5%,1/10W,DA,TP,2012	
R165	2007-000380	R-CHIP;13Kohm,5%,1/10W,DA,TP,2012		R253	2007-001039	R-CHIP;56Kohm,5%,1/10W,DA,TP,2012	
R167	2007-000468	R-CHIP;1Kohm,5%,1/10W,DA,TP,2012		R254	2007-000030	R-CHIP;560ohm,5%,1/10W,DA,TP,2012	
R168	2007-000653	R-CHIP;27Kohm,5%,1/10W,DA,TP,2012		R255	2007-000355	R-CHIP;12Kohm,5%,1/10W,DA,TP,2012	
R169	2007-000029	R-CHIP;0ohm,5%,1/10W,DA,TP,2012		R256	2007-000468	R-CHIP;1Kohm,5%,1/10W,DA,TP,2012	
R171	2007-000029	R-CHIP;0ohm,5%,1/10W,DA,TP,2012		R257	2007-000468	R-CHIP;1Kohm,5%,1/10W,DA,TP,2012	
R181	2007-000221	R-CHIP;1.2Kohm,5%,1/10W,DA,TP,2012		R258	2007-000586	R-CHIP;22Kohm,5%,1/10W,DA,TP,2012	
R182	2007-000468	R-CHIP;1Kohm,5%,1/10W,DA,TP,2012		R259	2007-000300	R-CHIP;10Kohm,5%,1/10W,DA,TP,2012	
R183	2007-000686	R-CHIP;3.3Kohm,5%,1/10W,DA,TP,2012		R260	2007-000518	R-CHIP;2.7Kohm,5%,1/10W,DA,TP,2012	
R184	2007-000468	R-CHIP;1Kohm,5%,1/10W,DA,TP,2012		R261	2007-001118	R-CHIP;680ohm,5%,1/10W,DA,TP,2012	
R185	2007-000468	R-CHIP;1Kohm,5%,1/10W,DA,TP,2012		R262	2007-000981	R-CHIP;5.6Kohm,5%,1/10W,DA,TP,2012	
R186	2007-000221	R-CHIP;1.2Kohm,5%,1/10W,DA,TP,2012		R263	2007-000300	R-CHIP;10Kohm,5%,1/10W,DA,TP,2012	
R187	2007-000468	R-CHIP;1Kohm,5%,1/10W,DA,TP,2012		R264	2007-000518	R-CHIP;2.7Kohm,5%,1/10W,DA,TP,2012	
R188	2007-000686	R-CHIP;3.3Kohm,5%,1/10W,DA,TP,2012		R265	2007-001118	R-CHIP;680ohm,5%,1/10W,DA,TP,2012	
R189	2007-000468	R-CHIP;1Kohm,5%,1/10W,DA,TP,2012		R266	2007-000981	R-CHIP;5.6Kohm,5%,1/10W,DA,TP,2012	
R190	2007-000468	R-CHIP;1Kohm,5%,1/10W,DA,TP,2012		R267	2007-000518	R-CHIP;2.7Kohm,5%,1/10W,DA,TP,2012	
R191	2007-000221	R-CHIP;1.2Kohm,5%,1/10W,DA,TP,2012		R268	2007-001118	R-CHIP;680ohm,5%,1/10W,DA,TP,2012	
R192	2007-000468	R-CHIP;1Kohm,5%,1/10W,DA,TP,2012		R269	2007-000981	R-CHIP;5.6Kohm,5%,1/10W,DA,TP,2012	
R193	2007-000686	R-CHIP;3.3Kohm,5%,1/10W,DA,TP,2012		R270	2007-000300	R-CHIP;10Kohm,5%,1/10W,DA,TP,2012	
R194	2007-000468	R-CHIP;1Kohm,5%,1/10W,DA,TP,2012		R271	2007-000518	R-CHIP;2.7Kohm,5%,1/10W,DA,TP,2012	
R195	2007-000468	R-CHIP;1Kohm,5%,1/10W,DA,TP,2012		R272	2007-001118	R-CHIP;680ohm,5%,1/10W,DA,TP,2012	
R196	2007-000300	R-CHIP;10Kohm,5%,1/10W,DA,TP,2012		R273	2007-000981	R-CHIP;5.6Kohm,5%,1/10W,DA,TP,2012	
R197	2007-000290	R-CHIP;100ohm,5%,1/10W,DA,TP,2012		R274	2007-000518	R-CHIP;2.7Kohm,5%,1/10W,DA,TP,2012	
R198	2007-000468	R-CHIP;1Kohm,5%,1/10W,DA,TP,2012		R275	2007-001118	R-CHIP;680ohm,5%,1/10W,DA,TP,2012	
R199	2007-000290	R-CHIP;100ohm,5%,1/10W,DA,TP,2012		R276	2007-000981	R-CHIP;5.6Kohm,5%,1/10W,DA,TP,2012	
R200	2007-000468	R-CHIP;1Kohm,5%,1/10W,DA,TP,2012		R277	2007-000300	R-CHIP;10Kohm,5%,1/10W,DA,TP,2012	
R201	2007-000290	R-CHIP;100ohm,5%,1/10W,DA,TP,2012		R278	2007-000518	R-CHIP;2.7Kohm,5%,1/10W,DA,TP,2012	
R202	2007-000468	R-CHIP;1Kohm,5%,1/10W,DA,TP,2012		R279	2007-001118	R-CHIP;680ohm,5%,1/10W,DA,TP,2012	
R203	2007-000290	R-CHIP;100ohm,5%,1/10W,DA,TP,2012		R280	2007-000981	R-CHIP;5.6Kohm,5%,1/10W,DA,TP,2012	
R204	2007-000468	R-CHIP;1Kohm,5%,1/10W,DA,TP,2012		R281	2007-000300	R-CHIP;10Kohm,5%,1/10W,DA,TP,2012	
R205	2007-000290	R-CHIP;100ohm,5%,1/10W,DA,TP,2012		R282	2007-000282	R-CHIP;100Kohm,5%,1/10W,DA,TP,2012	
R206	2007-000468	R-CHIP;1Kohm,5%,1/10W,DA,TP,2012		R283	2007-000355	R-CHIP;12Kohm,5%,1/10W,DA,TP,2012	
R207	2007-000290	R-CHIP;100ohm,5%,1/10W,DA,TP,2012		R284	2007-000468	R-CHIP;1Kohm,5%,1/10W,DA,TP,2012	
R208	2007-000468	R-CHIP;1Kohm,5%,1/10W,DA,TP,2012		R285	2007-000355	R-CHIP;12Kohm,5%,1/10W,DA,TP,2012	
R209	2003-002026	R-METAL OXIDE(S);4.7ohm,5%,1W,AF,TP,2.5x		R286	2007-000468	R-CHIP;1Kohm,5%,1/10W,DA,TP,2012	
R210	2003-002026	R-METAL OXIDE(S);4.7ohm,5%,1W,AF,TP,2.5x		R287	2007-000300	R-CHIP;10Kohm,5%,1/10W,DA,TP,2012	
R211	2003-002026	R-METAL OXIDE(S);4.7ohm,5%,1W,AF,TP,2.5x		R288	2007-000355	R-CHIP;12Kohm,5%,1/10W,DA,TP,2012	
R212	2007-000030	R-CHIP;560ohm,5%,1/10W,DA,TP,2012		R289	2007-000468	R-CHIP;1Kohm,5%,1/10W,DA,TP,2012	
R213	2007-000290	R-CHIP;100ohm,5%,1/10W,DA,TP,2012		R290	2007-000355	R-CHIP;12Kohm,5%,1/10W,DA,TP,2012	
R214	2007-000981	R-CHIP;5.6Kohm,5%,1/10W,DA,TP,2012		R291	2007-000468	R-CHIP;1Kohm,5%,1/10W,DA,TP,2012	
R215	2007-000872	R-CHIP;4.7Kohm,5%,1/10W,DA,TP,2012		R292	2007-000300	R-CHIP;10Kohm,5%,1/10W,DA,TP,2012	
R216	2007-000030	R-CHIP;560ohm,5%,1/10W,DA,TP,2012		R293	2007-000355	R-CHIP;12Kohm,5%,1/10W,DA,TP,2012	

Loc. No.	Code No.	Description ; Specification	Remark
R294	2007-000468	R-CHIP:1Kohm,5%,1/10W,DA,TP,2012	
R295	2007-000355	R-CHIP:12Kohm,5%,1/10W,DA,TP,2012	
R296	2007-000468	R-CHIP:1Kohm,5%,1/10W,DA,TP,2012	
R297	2007-000300	R-CHIP:10Kohm,5%,1/10W,DA,TP,2012	
R301	2007-001113	R-CHIP:680Kohm,5%,1/10W,DA,TP,2012	
R302	2007-000029	R-CHIP:0ohm,5%,1/10W,DA,TP,2012	
R310	2007-000300	R-CHIP:10Kohm,5%,1/10W,DA,TP,2012	
R311	2007-000290	R-CHIP:100ohm,5%,1/10W,DA,TP,2012	
R312	2007-000290	R-CHIP:100ohm,5%,1/10W,DA,TP,2012	
R313	2007-000300	R-CHIP:10Kohm,5%,1/10W,DA,TP,2012	
R314	2007-000290	R-CHIP:100ohm,5%,1/10W,DA,TP,2012	
R315	2007-000290	R-CHIP:100ohm,5%,1/10W,DA,TP,2012	
R316	2007-000300	R-CHIP:10Kohm,5%,1/10W,DA,TP,2012	
R318	2007-000029	R-CHIP:0ohm,5%,1/10W,DA,TP,2012	
SILD/C	AA63-40293A	SHIELD-CASE:-,SPT,TO.25,SCT13B,CX5399	
SILD/C	AA63-40293A	SHIELD-CASE:-,SPT,TO.5,-,-	
X1	2801-001476	CRYSTAL-UNIT:12.0MHz,50ppm,28-ABQ,S,30oh	
X2	2801-000226	CRYSTAL-UNIT:3.579545MHz,20ppm,28-AAM,15	

REMOCON

* AA59-10079T REMOCON:-,TM50,RM130,54,GOLD,SS

ASSY-CHASSIS,PART

PCB+BP	AA90-30113C	ASSY-CHASSIS,PART:-,SPM5288PF	
TBA+HC	AA60-10011A	SCREW-TAPTITE:HH,+,PC,M4,L12,ZPC(BLK),SW	
HC+HC	AA60-10011A	SCREW-TAPTITE:HH,+,PC,M4,L12,ZPC(BLK),SW	
BCM+BP	AA60-10011A	SCREW-TAPTITE:HH,+,PC,M4,L12,ZPC(BLK),SW	
TER/B	AA63-40138A	TERMINAL-BOARD,ANT:-,HIPS,-,VO BLK,SPM52	
IN-B	AA64-60286A	INLAY-BACK:SPM5288PF,-,PS,TO.5,BLK,-,-	
H/CHAS	AA61-20142B	HOLDER-CHASSIS:-,SVP-462J,ABS,VO,GRY,-	
H-CORD	AA61-20135B	HOLDER-CORD:-,-,HIPS,VO,BLK,-	
HV	AA61-10149A	BRACKET-HV:-,S4388,SECC,T1.0,-,-,-	
HOLCHA	AA65-30112A	CLAMP-WIRE-NYLON,VO,BLK,-,PRJT,-	
TB+JAC	6003-001026	SCREW-TAPTITE:RH,+,B,M4,L15,ZPC(BLK),SWR	
PCB+HC	6003-001023	SCREW-TAPTITE:RWH,+,B,M3,L10,ZPC(YEL),SW	
HV+BH	6003-001023	SCREW-TAPTITE:RWH,+,B,M3,L10,ZPC(YEL),SW	
DF+FBT	6003-001023	SCREW-TAPTITE:RWH,+,B,M3,L10,ZPC(YEL),SW	

ASSY-CABINET

BCM+CM	AA90-70064S	ASSY-CABINET:S5288,SP5288PFX/PIC	
HV+BCM	AA60-10001A	SCREW-ASSY:WP,-,+,M6,L20,SCM30C,-,ZPC(YE	
CBB+CM	AA60-10011A	SCREW-TAPTITE:HH,+,PC,M4,L12,ZPC(BLK),SW	
CBB+CM	AA60-10011A	SCREW-TAPTITE:HH,+,PC,M4,L12,ZPC(BLK),SW	
BCM+BP	AA60-10011A	SCREW-TAPTITE:HH,+,PC,M4,L12,ZPC(BLK),SW	
BS+CFT	AA60-10011A	SCREW-TAPTITE:HH,+,PC,M4,L12,ZPC(BLK),SW	
AC+BCM	AA60-10011A	SCREW-TAPTITE:HH,+,PC,M4,L12,ZPC(BLK),SW	
CBT+CM	AA60-10011A	SCREW-TAPTITE:HH,+,PC,M4,L12,ZPC(BLK),SW	
CFB+CM	AA60-10011A	SCREW-TAPTITE:HH,+,PC,M4,L12,ZPC(BLK),SW	
CFT+CM	AA60-10050W	SCREW-WOOD:W/H,+,M4,20,ZPC(BLK),SWRCH18A	
FOCUS+	AA60-10050W	SCREW-WOOD:W/H,+,M4,20,ZPC(BLK),SWRCH18A	
CBT+CM	AA60-10050W	SCREW-WOOD:W/H,+,M4,20,ZPC(BLK),SWRCH18A	
BRKT	AA61-10242A	BRACKET-MIRROR,C:-,S5288,SECC-1,T1.0,-,-	
BRKT	AA61-10361A	BRACKET-MIRROR:-,S5288,SECC-1,T1.0,-,-,-	
BRKT	AA61-10367A	BRACKET-SCREEN,BOT:-,S4388,SECC-1,T1.0,-	
BRKT	AA61-10368A	BRACKET-SCREEN,BOT:-,S5288,SECC-1,T1.0,-	
BRKT	AA61-10380B	BRACKET-CRT,MAIN:-,SVP-521JB,SECC,T1.6,N	
SPACER	AA63-60052A	SPACER-MIRROR:HARD PVC,-,BLK,HB SOFT,S52	
SPACER	AA63-60052B	SPACER-MIRROR:HARD PVC,-,BLK,HB SOFT,S52	
SPACER	AA63-60052E	SPACER-MIRROR:HARD PVC,-,BLK,-,SVP5288,-	
SPACER	AA63-60119A	SPACER-COVER,BRACKET:FELT,TO.5,BLK,630X3	
BACK-B	AA64-30434A	CABINET-BACK,BOT:-,PRJT,-,HIPS,VO,BLK,-	
BACK-T	AA64-30714A	CABINET-BACK,TOP:-,HIPS,HB,-,BLK,-,SVP52	
C-CORD	AA65-30008A	CLAMP-CORD:PE,HB,BLK,-,-,-	
MIRR	AA67-20026A	MIRROR-BACK SURFACE:52,GLASS,3.0BSM,-,	
SCREEN	AA67-70031A	SCREEN-TINT:-,52 INCH,V-LENTI,PMMA,-,T3,	
BM+ACM	6003-000334	SCREW-TAPTITE:RH,+,2S,M3,L6,ZPC(YEL),SWR	
CBB+CM	AA60-10050W	SCREW-WOOD:W/H,+,M4,20,ZPC(BLK),SWRCH18A	
APAV+A	6003-001024	SCREW-TAPTITE:RWH,+,B,M4,L12,ZPC(YEL),SW	
BM+CBT	6003-001026	SCREW-TAPTITE:RH,+,B,M4,L15,ZPC(BLK),SWR	
CFT+AH	6003-001026	SCREW-TAPTITE:RH,+,B,M4,L15,ZPC(BLK),SWR	

Loc. No.	Code No.	Description ; Specification	Remark
		ASSY-CABINET,BOT	
*	AA91-10127Q	ASSY-CABINET,BOT:-,HB,WP-1000,SPM5288	
SPRING	AA61-60003A	SPRING-CS:-,SUS304,0.5,OD7,H16,N7,-,-,-	
INDLED	AA64-40218A	INDICATOR-LED:-,S4388,-,PC,-,-,-	
KNOPOW	AA64-10360D	KNOB-POWER:-,SPM4388PF,WP-1000,ABS,HB,BL	
BOTTOM	AA64-30504F	CABINET-BOTTOM:-,SPM5288,WP1000,HIPS,HB,	
CABBOT	AA61-40025A	BOSS-CABINET:S4388,HIPS,HB,NTR,-,-	
BADGE	AA64-70114A	BADGE:AL,TITANUM,-,-,-,SPM4388PF,-	

ASSY-CABINET,FRONT

*	AA91-10302B	ASSY-CABINET,FRONT:-,SVP-521J,WP-1000,HB	
BADGE	AA64-70105A	BADGE-BRAND:AL,SS FLAT,SILVER,L70,-,-,-	
FRONT	AA64-30005B	CABINET-FRONT:-,SVP521J,WP1000,HIPS,HB,B	
CABMAS	AA61-40012A	BOSS-CABINET:S5288,HIPS,HB,NTR,-,-	
CABMAS	AA61-40026A	BOSS-CABINET:S4388.5288,HIPS,HB,NTR,-,-	

ASSY-CABINET,MID

*	AA91-10327A	ASSY-CABINET,MID:-,SVP-521J(5288),WOOD,-	
BRKT	AA61-10049A	BRACKET-MODULE:-,S4388,SECC,TO.6,-,-,-	
BRKT	AA61-10165A	BRACKET-BOTTOM:-,PRJT,SECC,T1.0,NTR,-,-	
BRKT	AA61-10387A	BRACKET-GRILLE:-,SVP-462J,SECC-1,TO.5,-,-	
HOLDER	AA61-20101A	HOLDER-MASK,AR:-,S4388,ABS,HB,BLK,-	
HOLDER	AA61-20101B	HOLDER-MASK,AL:-,S4388,ABS,HB,BLK,-	
HOLDER	AA61-20124A	HOLDER-MASK,B:-,S4388,ABS,HB,BLK,-	
RAIL	AA61-70022A	RAIL-PCB:-,S4388,ABS,VO,NTR,-,-	
SPK	3001-000153	SPEAKER:20W,8ohm,93dB,1.3KHz	
SPK1	3001-000153	SPEAKER:20W,8ohm,93dB,1.3KHz	
SPK	3001-000176	SPEAKER:35W,8ohm,92dB,150Hz	
SPK1	3001-000176	SPEAKER:35W,8ohm,92dB,150Hz	
CN604	AA39-20507A	LEAD CONNECTOR-ASSY:-,YSH025-04,REC,4P,7	
CN603	AA39-20507B	LEAD CONNECTOR-ASSY:-,YSH025-04,REC,4P,1	
MIDDLE	AA64-31068A	CABINET-MIDDLE:-,SVP-521J,-,WOOD,-,-,-,-	
BRKT	AA61-11003A	BRACKET-BACK:-,PROJ,SECC,T1.0,-,-,-	
NUT	AA60-20050A	NUT-INSERT:M6,L8,ZPC(WHT)-,PROJECTION	
SPACER	AA63-60128A	SPACER-FELT:FELT,T2,BLK,850X15,PRJT52,-	
SPACER	AA63-60126A	SPACER-FELT:FELT,T2,BLK,1160X15,PRJT43,5	
ROLLER	AA66-40010A	ROLLER-PAPER:PAPER,PAPER,OD50,L80,T3,-,SPT-521	
C-WIRE	AA65-30115A	CLAMP-WIRE:FE,-,BLK,2X150,PRJT,-	
CASTER	AA61-90010A	CASTER-PROJECTION,NYL,H56,OD40,W18,-,	
SCREW	AA60-10050Y	SCREW-WOOD:FH,+,M4,L40,ZPC(BLK),SWRCH18A	
SCREW	AA60-10050X	SCREW-WOOD:FH,+,M3.5,L32,ZPC(YEL),SWRCH1	
CASTER	AA60-10051A	SCREW-WOOD:PH,+,M4,L16,ZPC(BLK),SWRCH18A	
SPK+CM	AA60-10051A	SCREW-WOOD:PH,+,M4,L16,ZPC(BLK),SWRCH18A	
BM+CM	AA60-10051B	SCREW-WOOD:RH,+,M3.5,L12,ZPC(YEL),SWRCH1	
BB+CM	AA60-10051B	SCREW-WOOD:RH,+,M3.5,L12,ZPC(YEL),SWRCH1	
BBW+CM	AA60-10051B	SCREW-WOOD:RH,+,M3.5,L12,ZPC(YEL),SWRCH1	

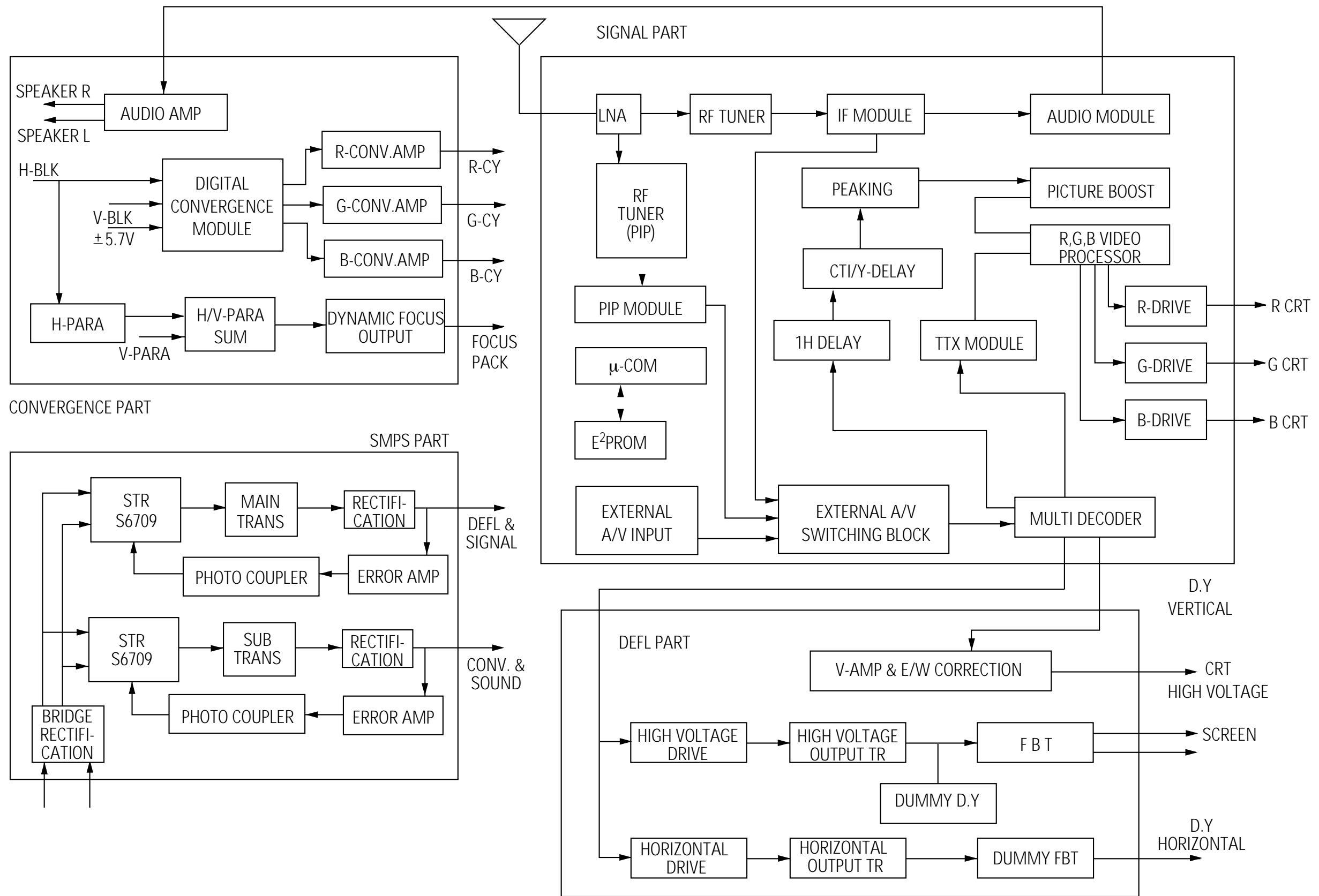
ASSY-HOLDER,CONTROL

*	AA91-60049E	ASSY-HOLDER,CONTROL:-,-,-,-,WP1000 SPM43	
DY01	0401-000005	DIODE-SWITCHING:1N4148,75V,300mA,DO-35,T	
DY02	0401-000005	DIODE-SWITCHING:1N4148,75V,300mA,DO-35,T	
DY03	0401-000005	DIODE-SWITCHING:1N4148,75V,300mA,DO-35,T	
DY04	0401-000005	DIODE-SWITCHING:1N4148,75V,300mA,DO-35,T	
ZDY01	0403-000654	DIODE-ZENER:MTZ12B,12V,11.44-12.03V,500m	
ZDY02	0403-000654	DIODE-ZENER:MTZ12B,12V,11.44-12.03V,500m	
ZDY03	0403-000654	DIODE-ZENER:MTZ12B,12V,11.44-12.03V,500m	
ZDY04	0403-000654	DIODE-ZENER:MTZ12B,12V,11.44-12.03V,500m	
SWY01	3404-000178	SWITCH-TACT:12V,50mA,90-150gf,6x6mm,SPST	
SWY02	3404-000178	SWITCH-TACT:12V,50mA,90-150gf,6x6mm,SPST	
SWY03	3404-000178	SWITCH-TACT:12V,50mA,90-150gf,6x6mm,SPST	
SWY04	3404-000178	SWITCH-TACT:12V,50mA,90-150gf,6x6mm,SPST	
SWY05	3404-000178	SWITCH-TACT:12V,50mA,90-150gf,6x6mm,SPST	
SWY06	3404-000178	SWITCH-TACT:12V,50mA,90-150gf,6x6mm,SPST	
SWY07	3404-000178	SWITCH-TACT:12V,50mA,90-150gf,6x6mm,SPST	
CN902	AA39-20045A	LEAD-CONNECTOR,ASSY:-,35022-0011,S,11P,3	
PCB	AA41-10430A	PCB-CONTROL:SPT51A,1,FR-1,245X245X1.6T,-	
SCREW	AA60-10008A	SCREW-TAPPING:TH,+,M3,L10,ZPC(YEL),SWRCH	
BRKT	AA61-10080A	BRACKET-HOLDER:-,S4388,STS304L,TO.5,-,-	

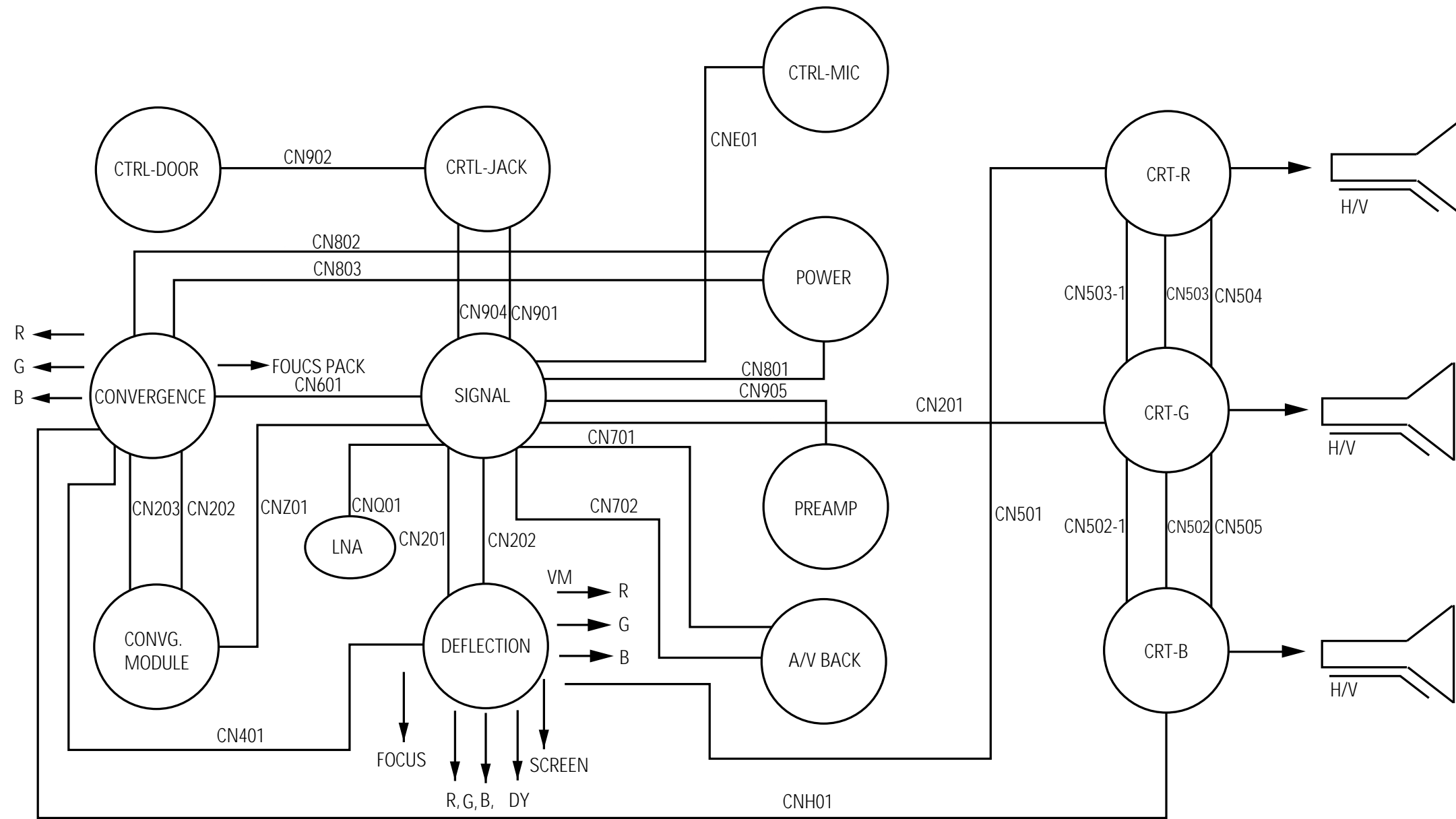
Electric Parts List

Loc. No.	Code No.	Description ; Specification	Remark	Loc. No.	Code No.	Description ; Specification	Remark
HOLDER	AA61-20102A	HOLDER-CONTROL;-,-,ABS,HB,BLK,-					
HOLDER	AA61-20114A	HOLDER-KEY;-,-,ABS,HB,BLK,-					
LATCH	AA61-30001A	LATCH-DOOR;-,-,KIFUCO LA701,-					
SPRING	AA61-60048A	SPRING-CS;-,-,SUS304,0.8,OD9.6,H6,N5,-,-,-					
DAMPER	AA61-80005B	DAMPER-GEAR;-,-,20G,-,OIL,-					
SPACER	AA63-60002V	SPACER-FELT:FELT,TO.3,BLK,60X40,-,-					
SPACER	AA63-60002W	SPACER-FELT:FELT,TO.5,BLK,30X10,-,-					
KNOCON	AA64-10214C	KNOB-CONTROL,ASSY;-,-,SPM5288PF,-,ABS,HB,B					
DOOR-B	AA64-50082D	DOOR-BOTTOM;-,-,SPM4388,WP1000,ABS,HB,BLK,					
I-DOOR	AA64-60112B	INLAY-DOOR:SPM5288PF,-,PS,TO.5,BLK,-,-					
I-MIC	AA64-60244A	INLAY-MIC;-,-,PS,TO.3,BLK,-,-					
I-CON	AA64-60264B	INLAY-CONTROL,BOT:SPM5288PF,-,PS,TO.3,BL					
PCB	AA41-10421B	PCB-SIGNAL:SPT51A,1,FR-1,330x245x1.6T,-,-					
PCB	AA41-10581D	PCB-POWER:SPT51A,1L,CEM-1,330x245x1.6T,-					
PCB	AA41-10431C	PCB-CRT(R):SPT51A,1,FR-1,330x245x1.6T,-,-					
PCB	AA41-10434A	PCB-CONTROL:SPT51A,1,FR-1,245X245X1.6T					
PCB	AA41-10436A	PCB-PREAMP:SPT51A,1,FR-1,245X245X1.6T					
PCB	AA41-10437B	PCB-A/V BACK:SPT51A,2L,FR-4,330x245x1.6T					
PWB	AA41-10371B	PCB-AUDIO:SCT51A,2L,FR-4,100x76x1.6T,-,-					
PCB	AA41-10424D	PCB-DEFLECTION:SPT51A,1,CEM-1,330x245x1.					
PCB	AA41-10479E	PCB-CONVERGENCE:SPT51A,1,CEM-1,330x245x1					
PCB	AA41-10438A	PCB-MASTER S/W:SPT51A,1,CEM-1,245X245X1.					
PWB	AA41-10330B	PCB-TTX:SCT51A,1L,FR-1,81x65x1.6T,-,-					
PWB	AA41-10323A	PCB-IF:SCT51A,2,FR-4,100X76X1.6T					
PWB	AA41-10321C	PCB-PIP:SCT51A,2L,FR-4,100x76x1.6T,-,-					
03LOT	AA41-10480D	PCB-MODULE:APT51A,2L,FR-4,191x123x1.6T,-					

10. Block Diagrams

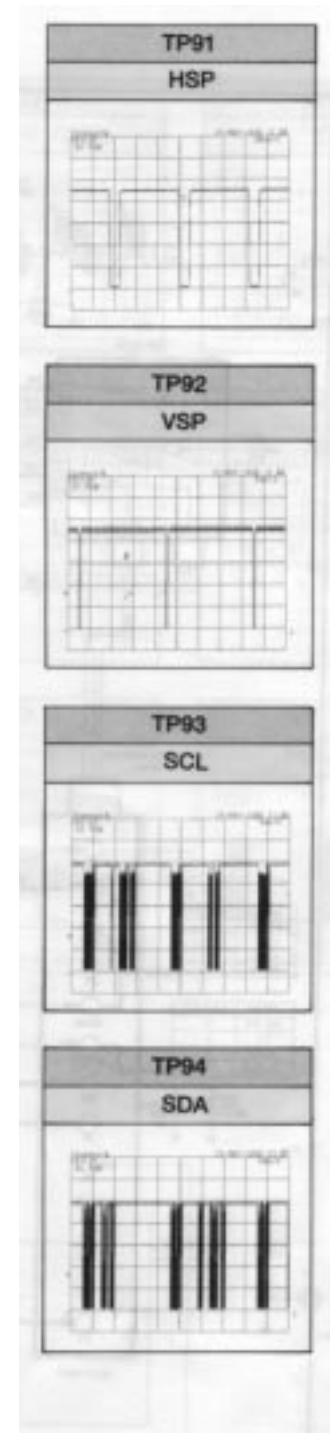
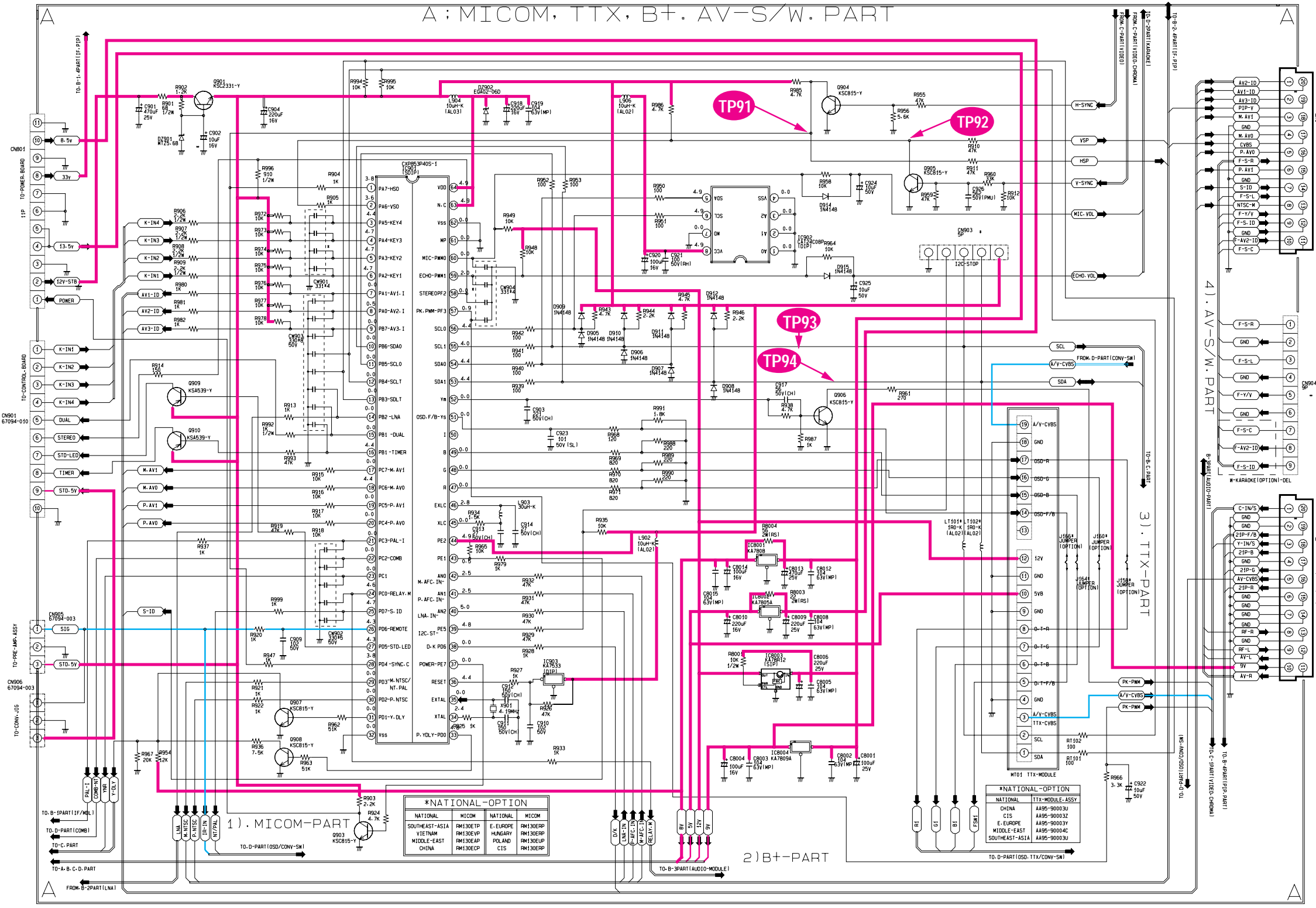


11. Wiring Diagram



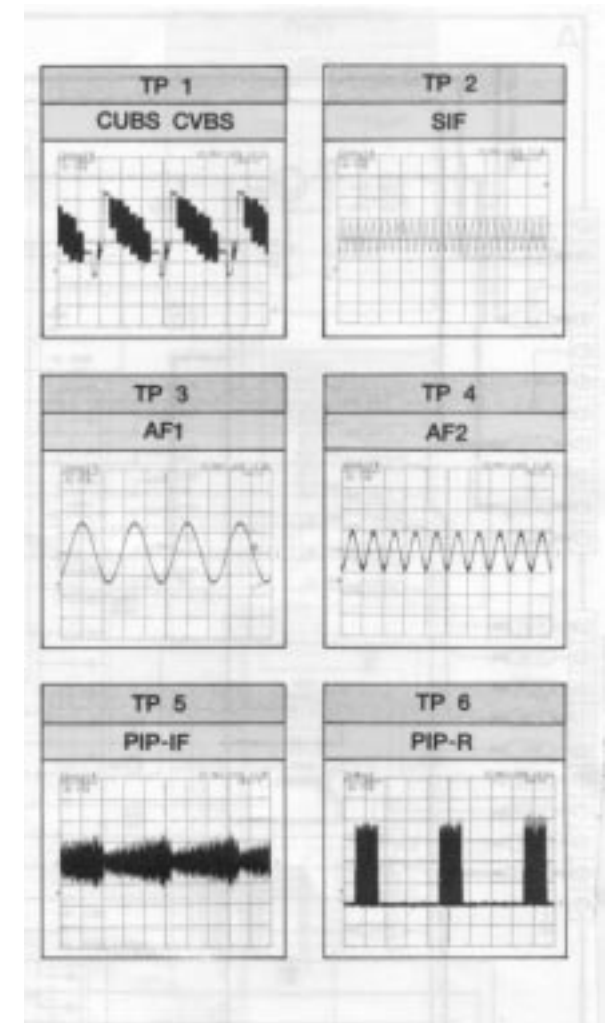
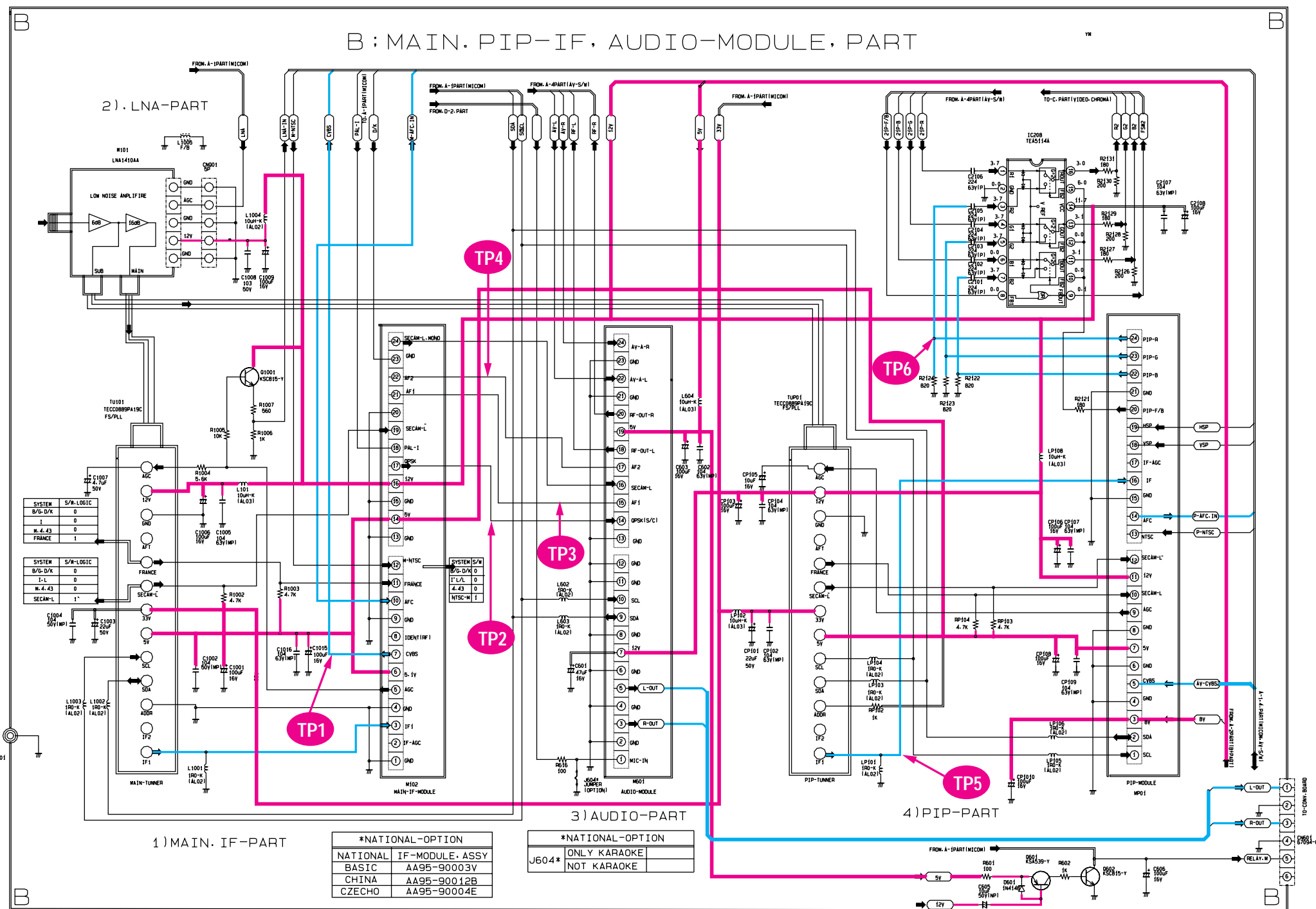
12. Schematic Diagrams

12-1 SIGNAL (MICOM, TTX, B+, AV-S/W)



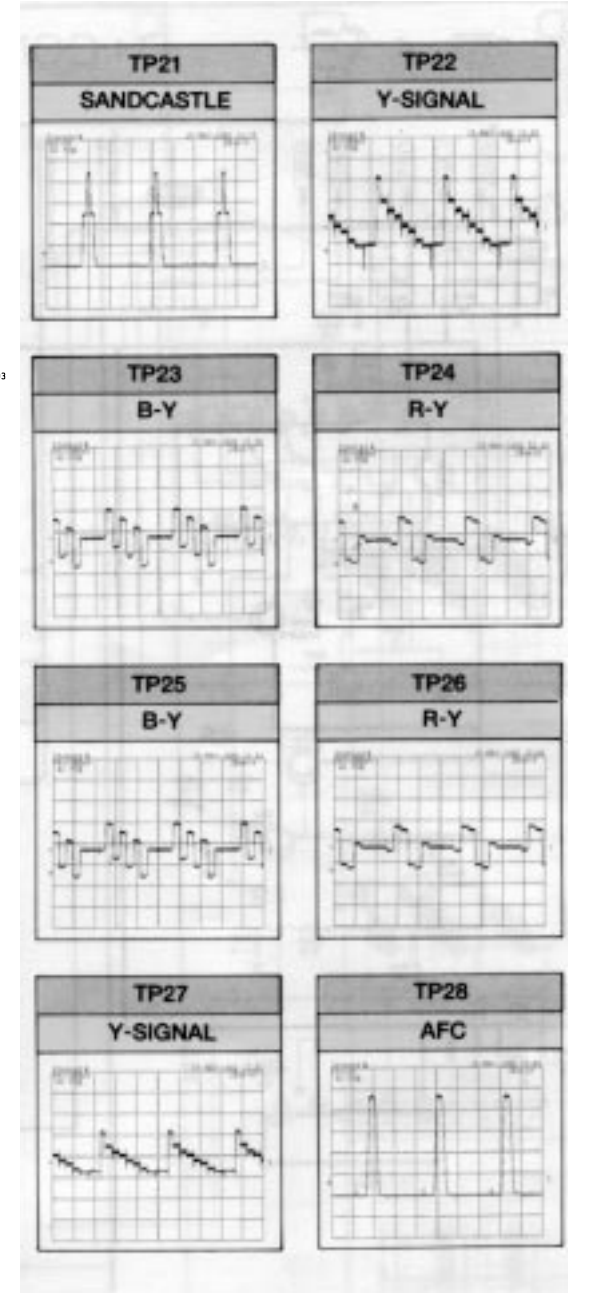
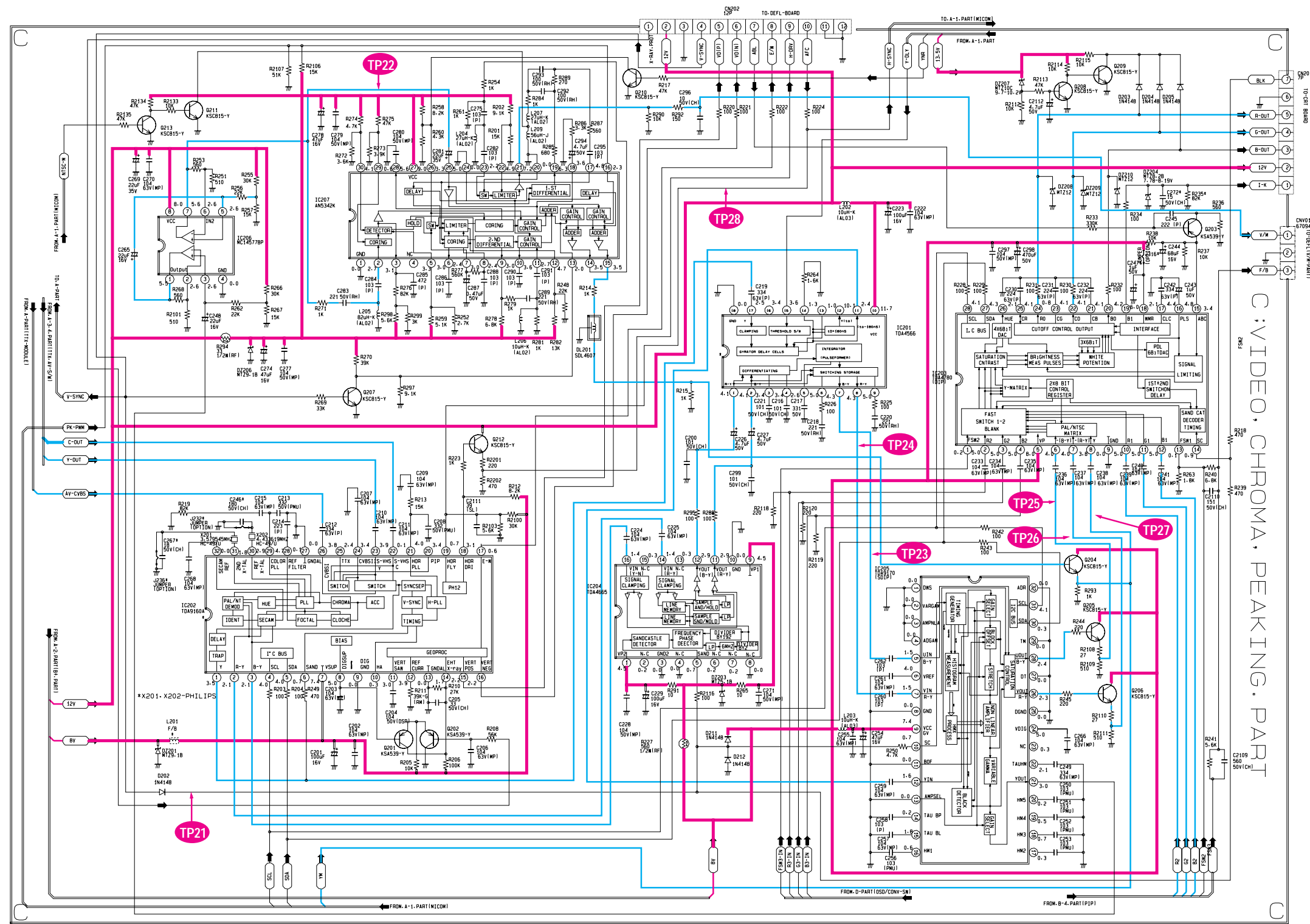
— : Power Line
 — : Signal Line

12-2 SIGNAL(PIP-IF, AUDIO-MODULE)



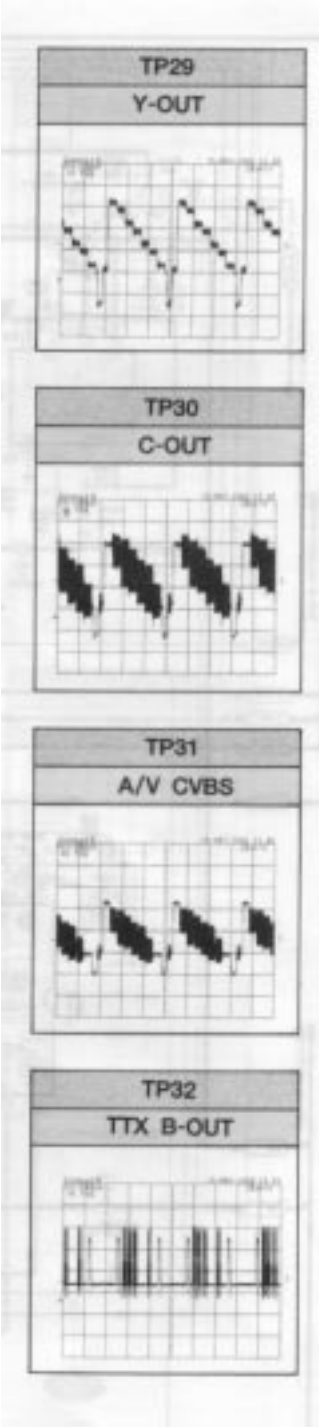
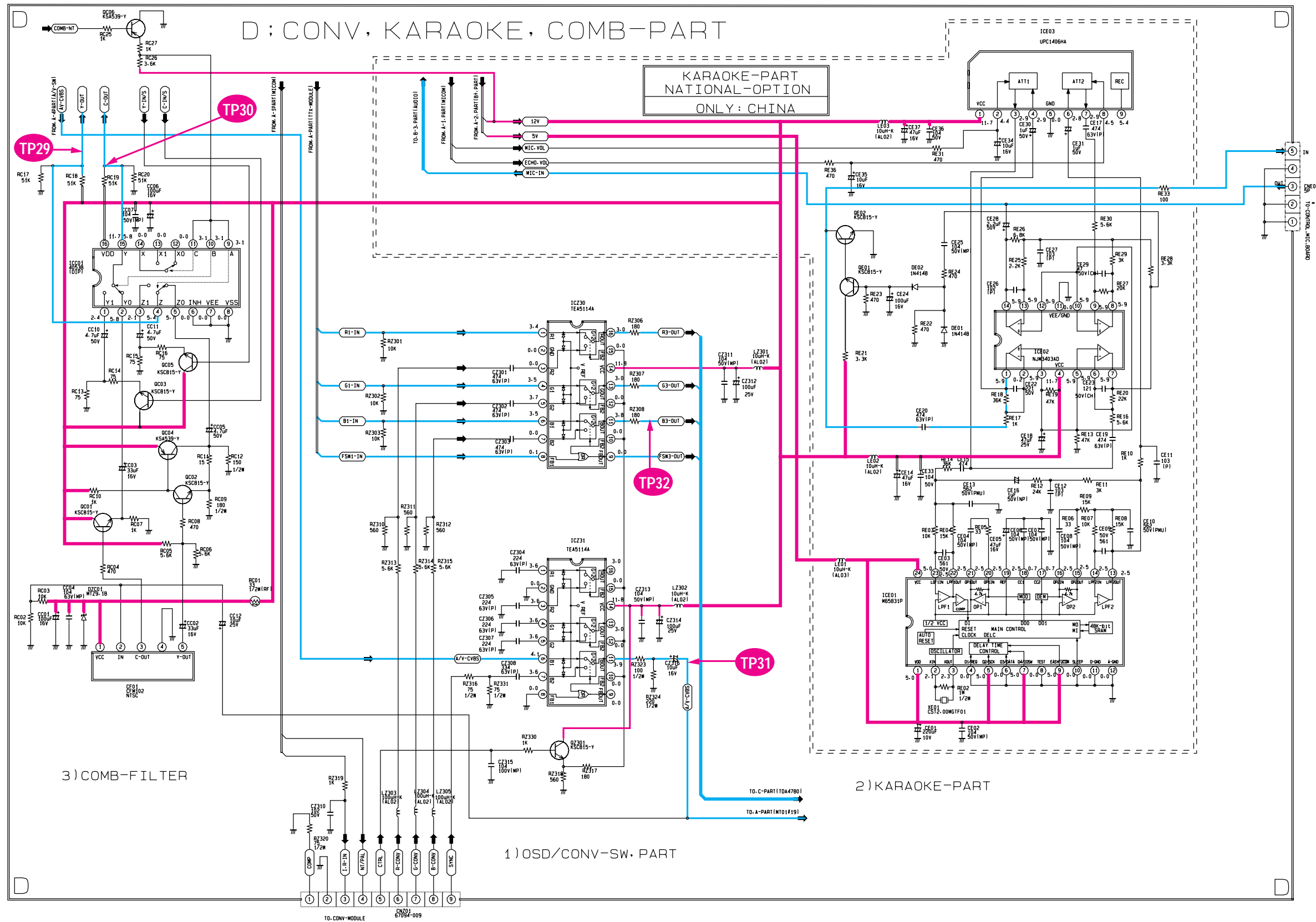
— : Power Line
— : Signal Line

12-3 SIGNAL (VIDEO, CHROMA, PEAKING)

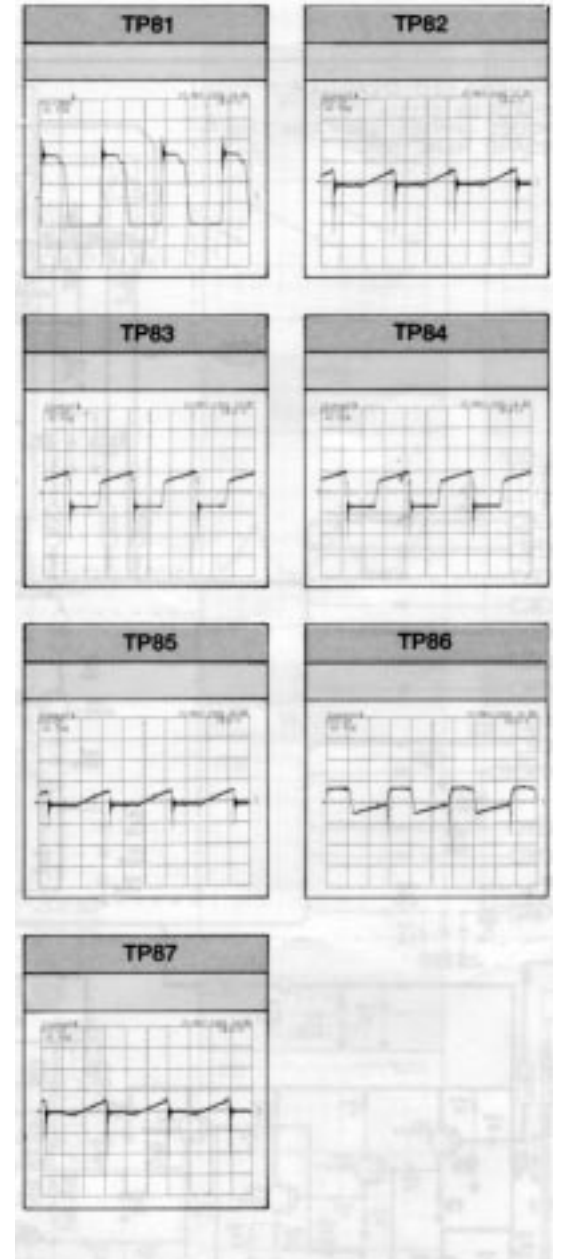
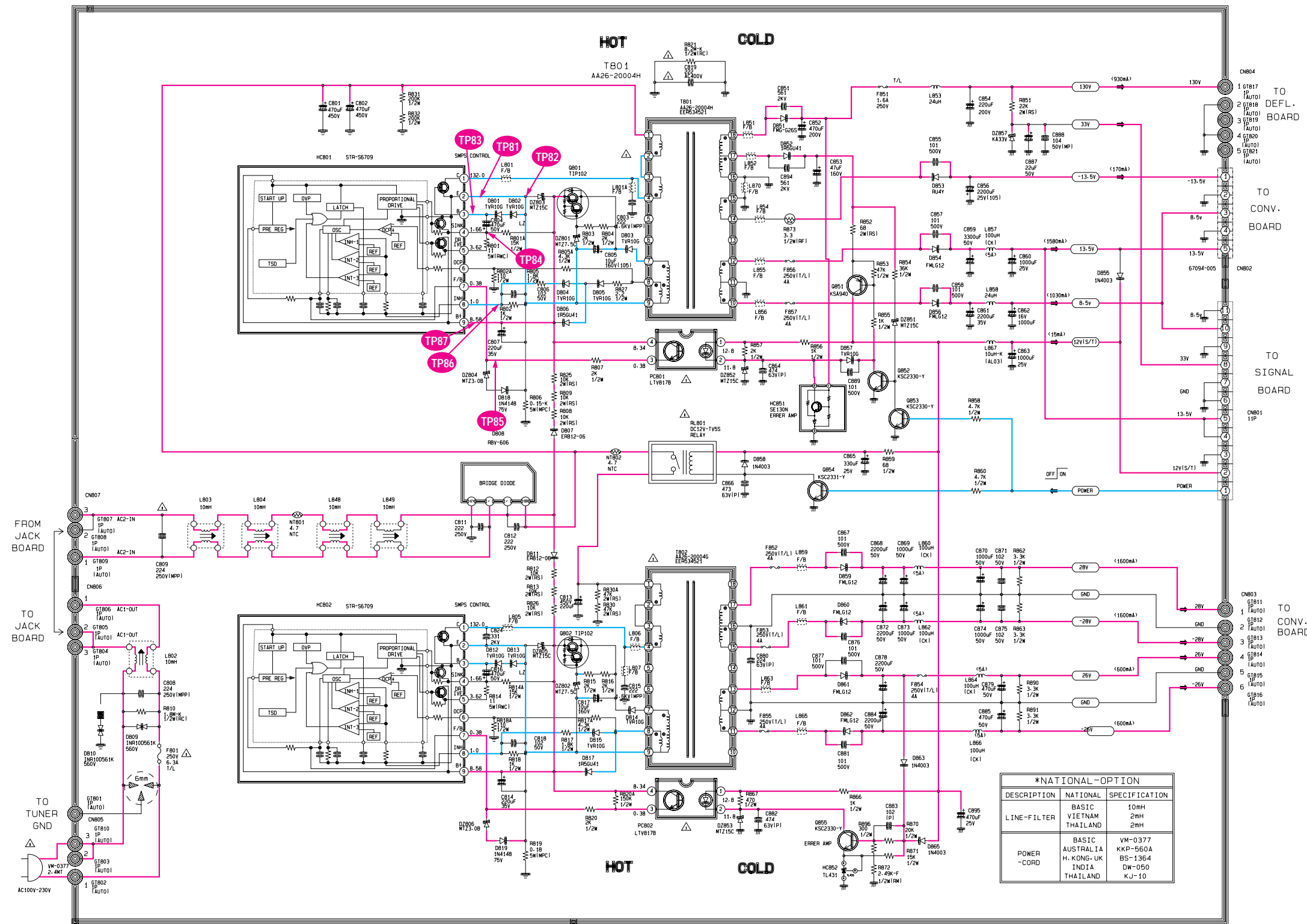


— : Power Line
 — : Signal Line

12-4 SIGNAL (CONV, KARAOKE, COMB-PART)



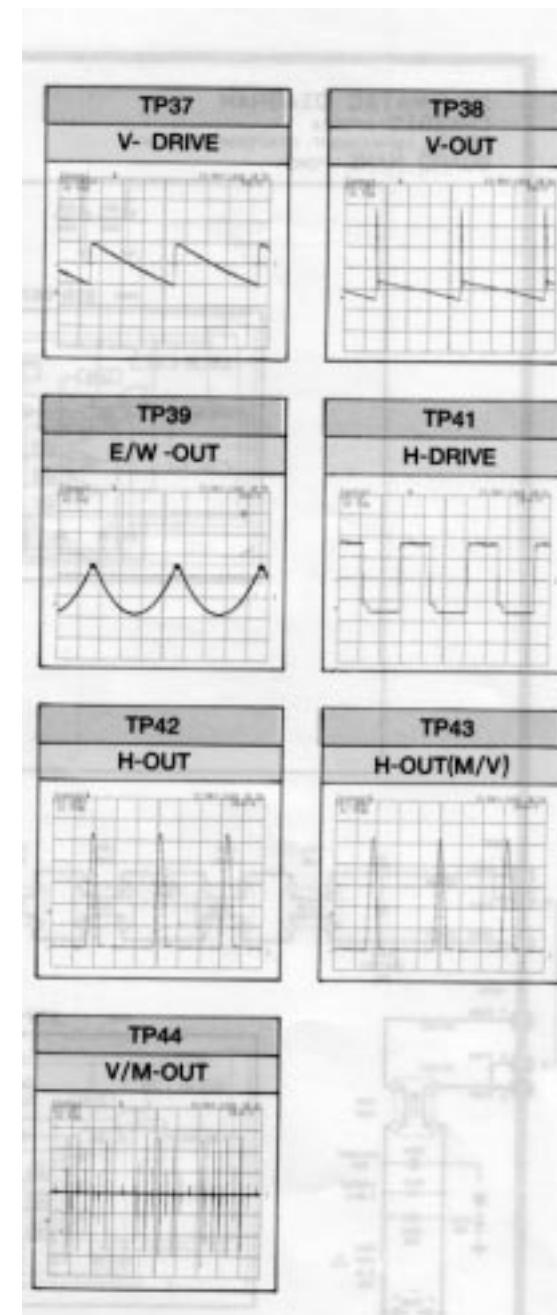
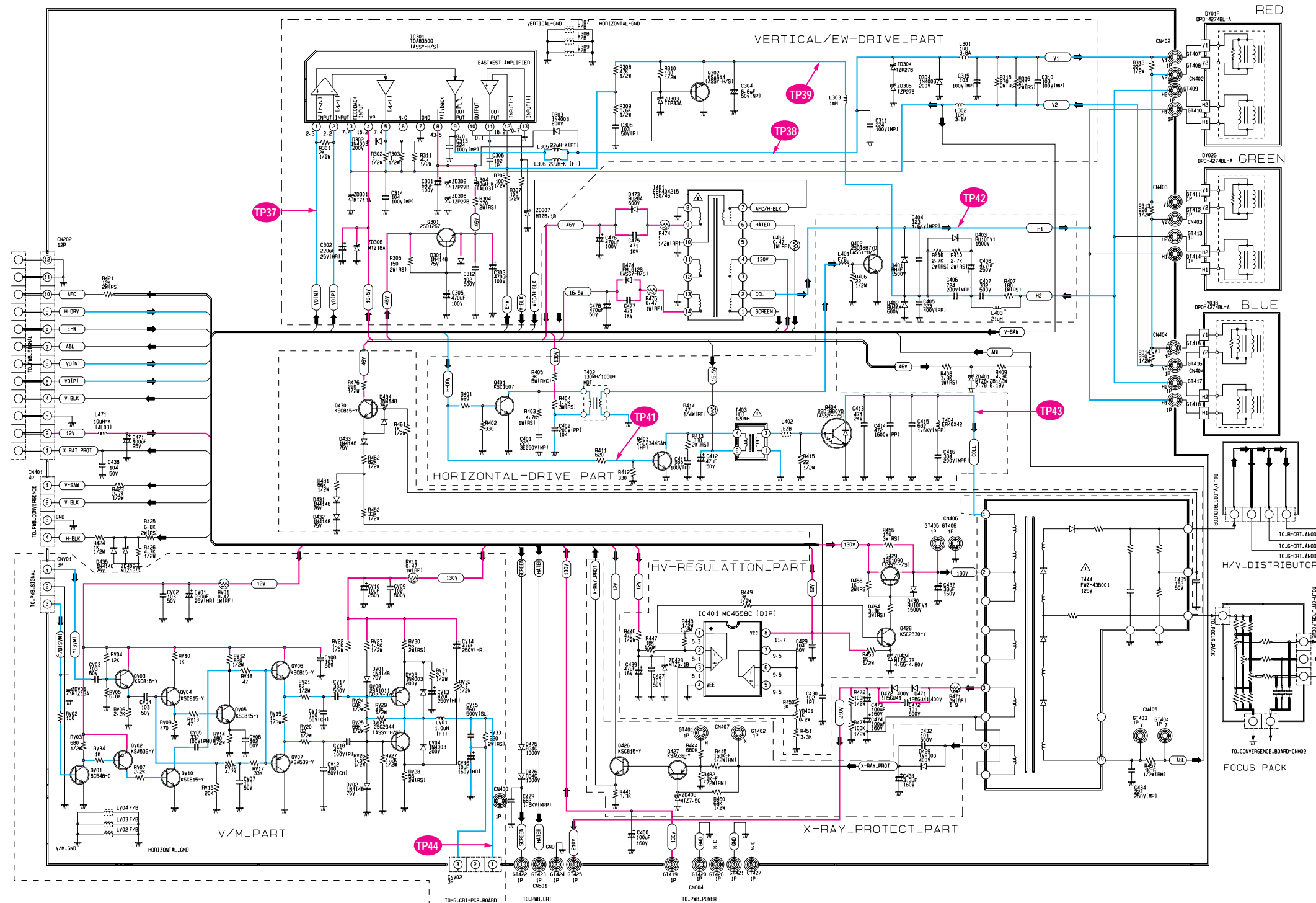
12-5 POWER



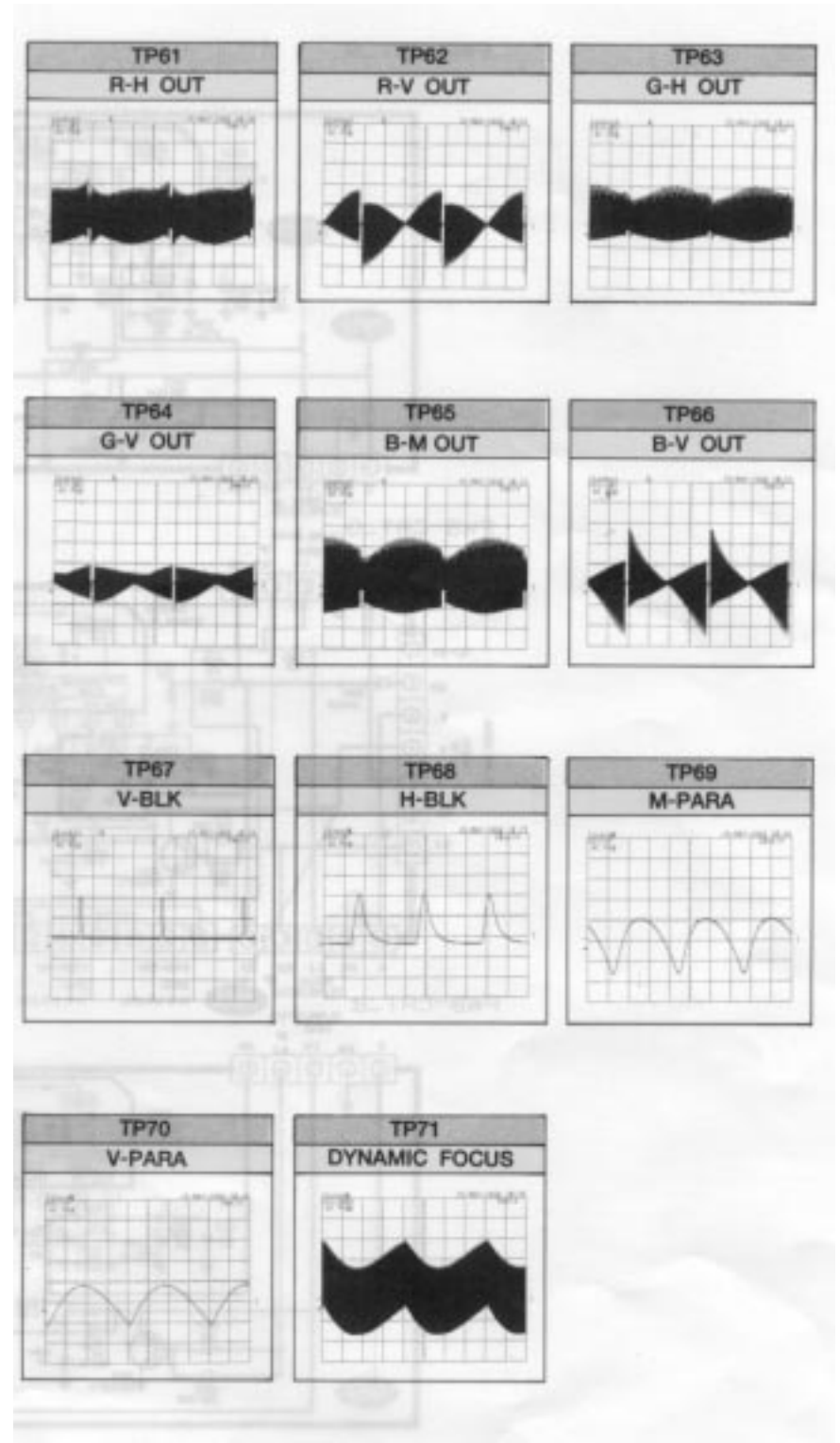
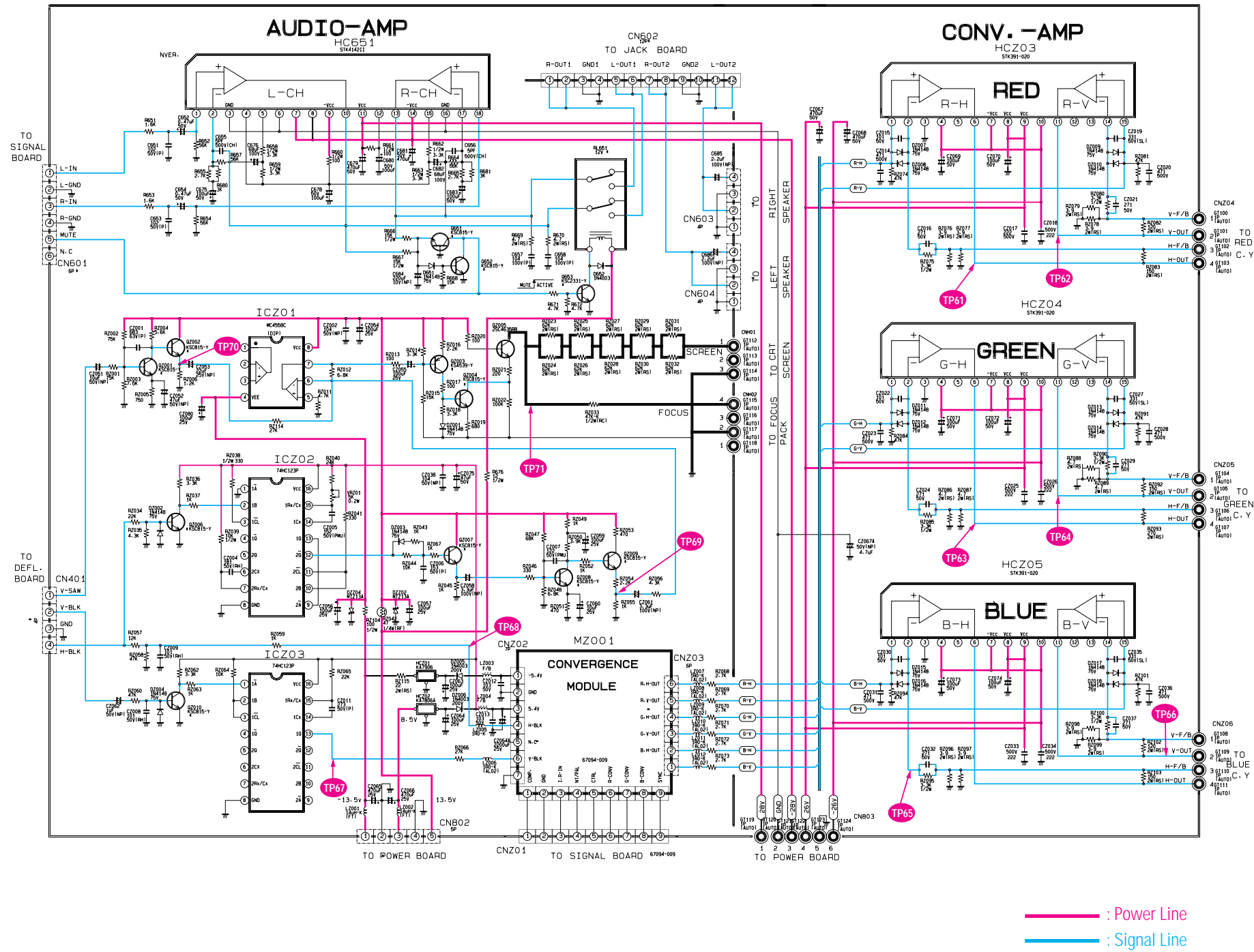
*NATIONAL-OPTION		
DESCRIPTION	NATIONAL	SPECIFICATION
LINE-FILTER	BASIC	10mH
	VIETNAM	2mH
	THAILAND	2mH
POWER-CORD	BASIC	VM-0377
	AUSTRALIA	KKP-S60A
	H. KONG-UK	BS-1364
	INDIA	DW-050
THAILAND	KJ-10	

— : Power Line
— : Signal Line

12-6 DEFL

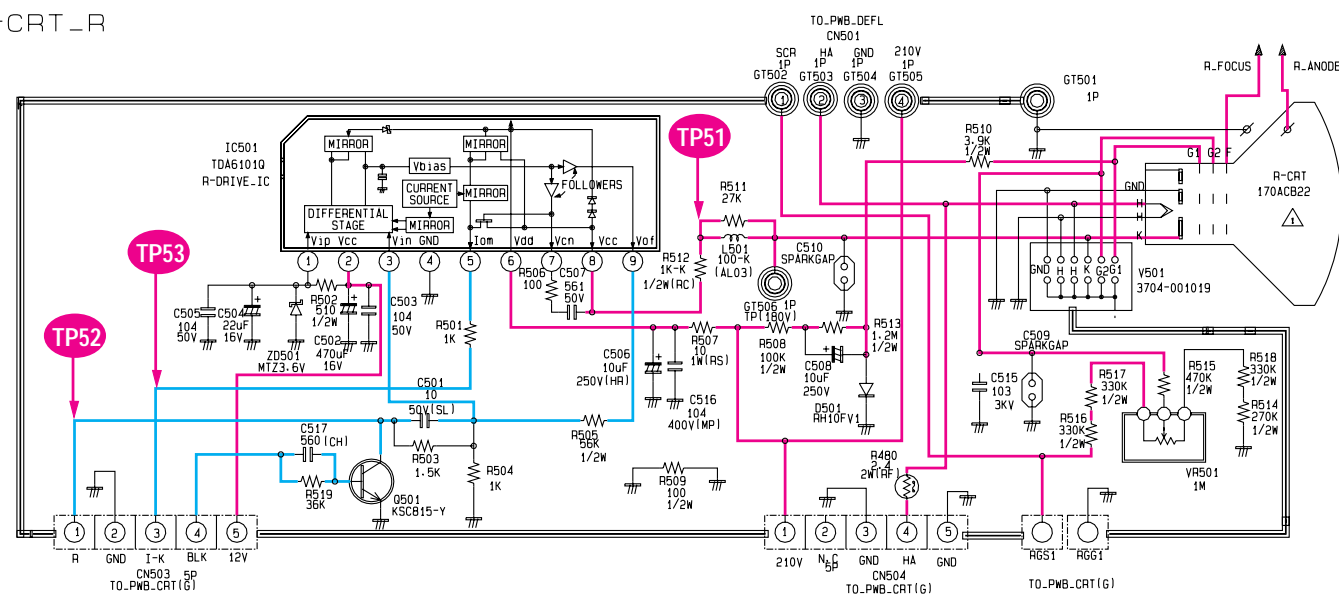


12-7 CONVER.

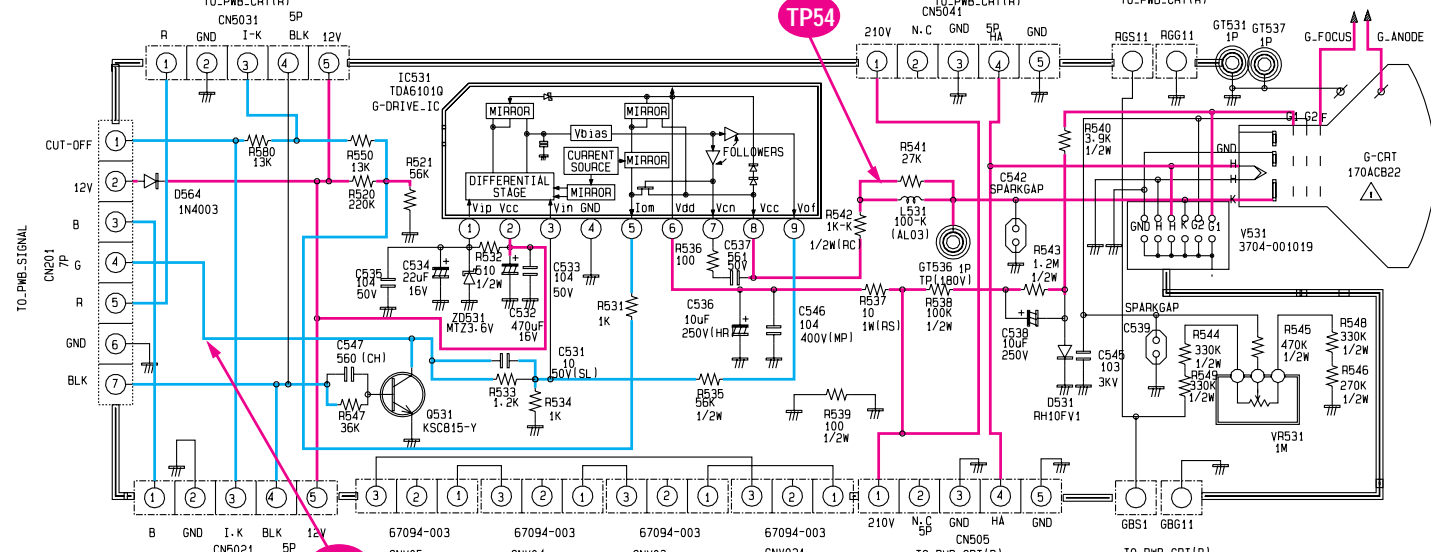


12-8 CRT

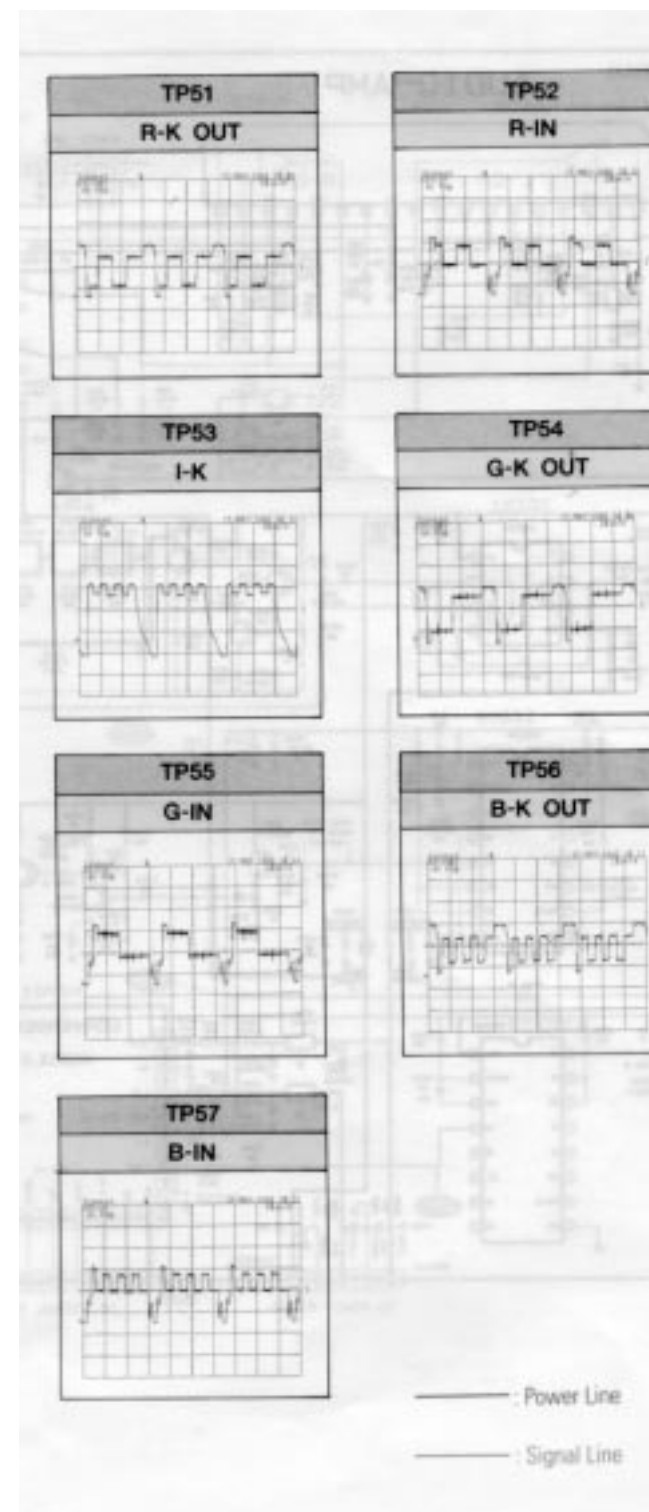
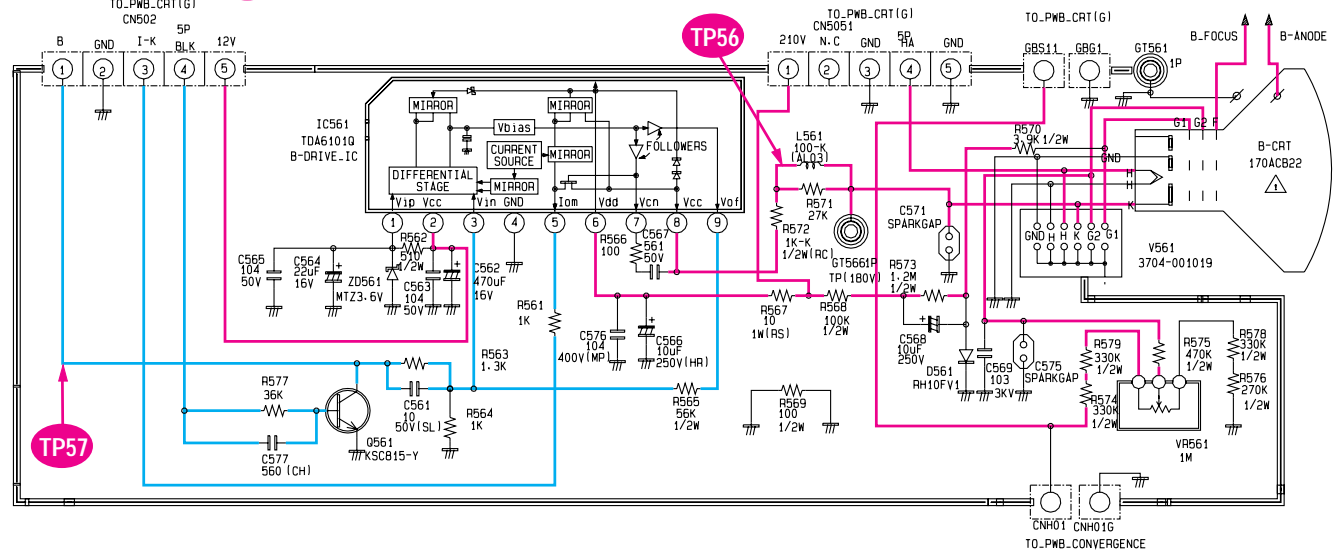
PWB-CRT_LR



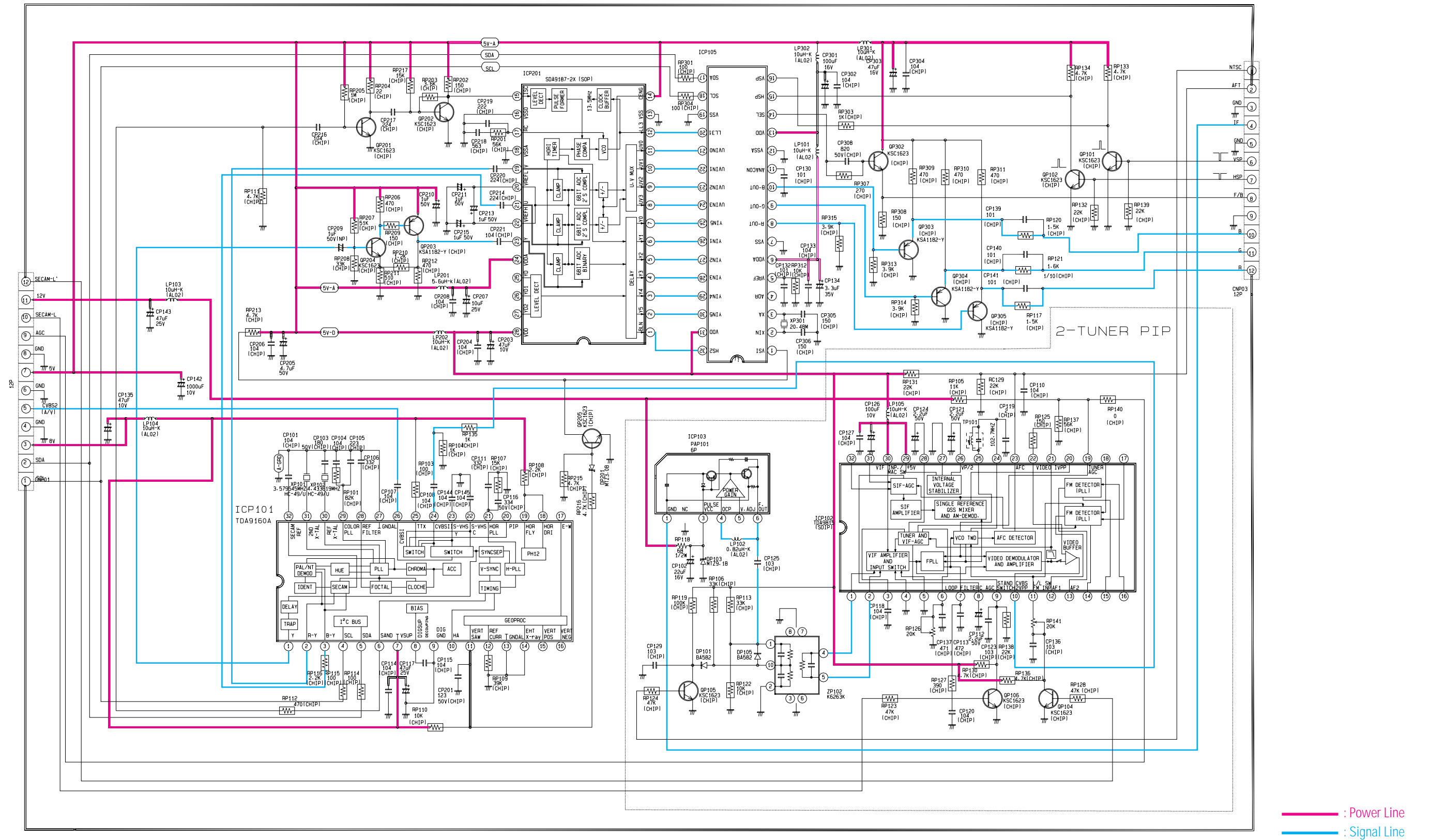
PWB-CRT_G



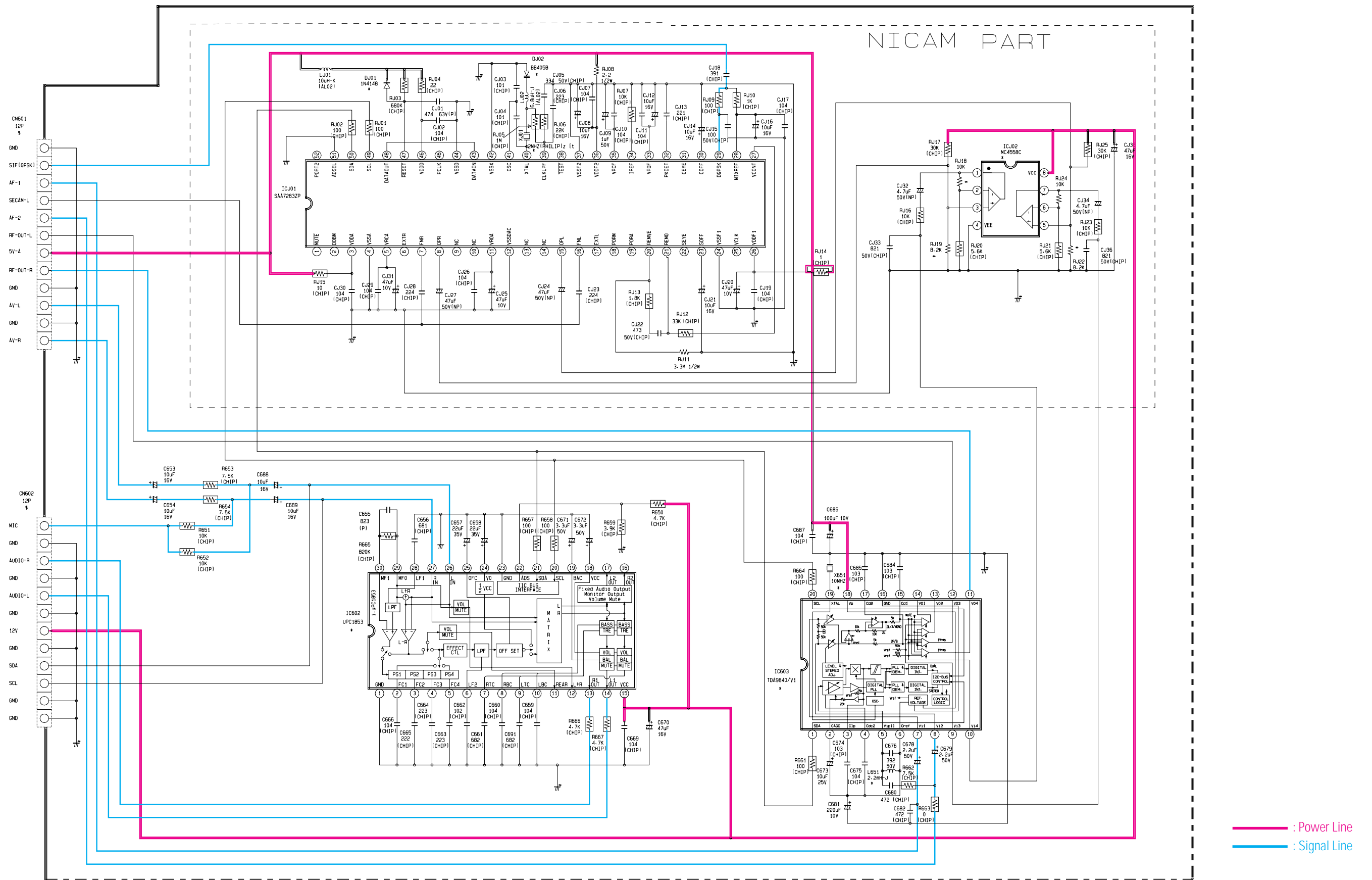
PWB-CRT_B



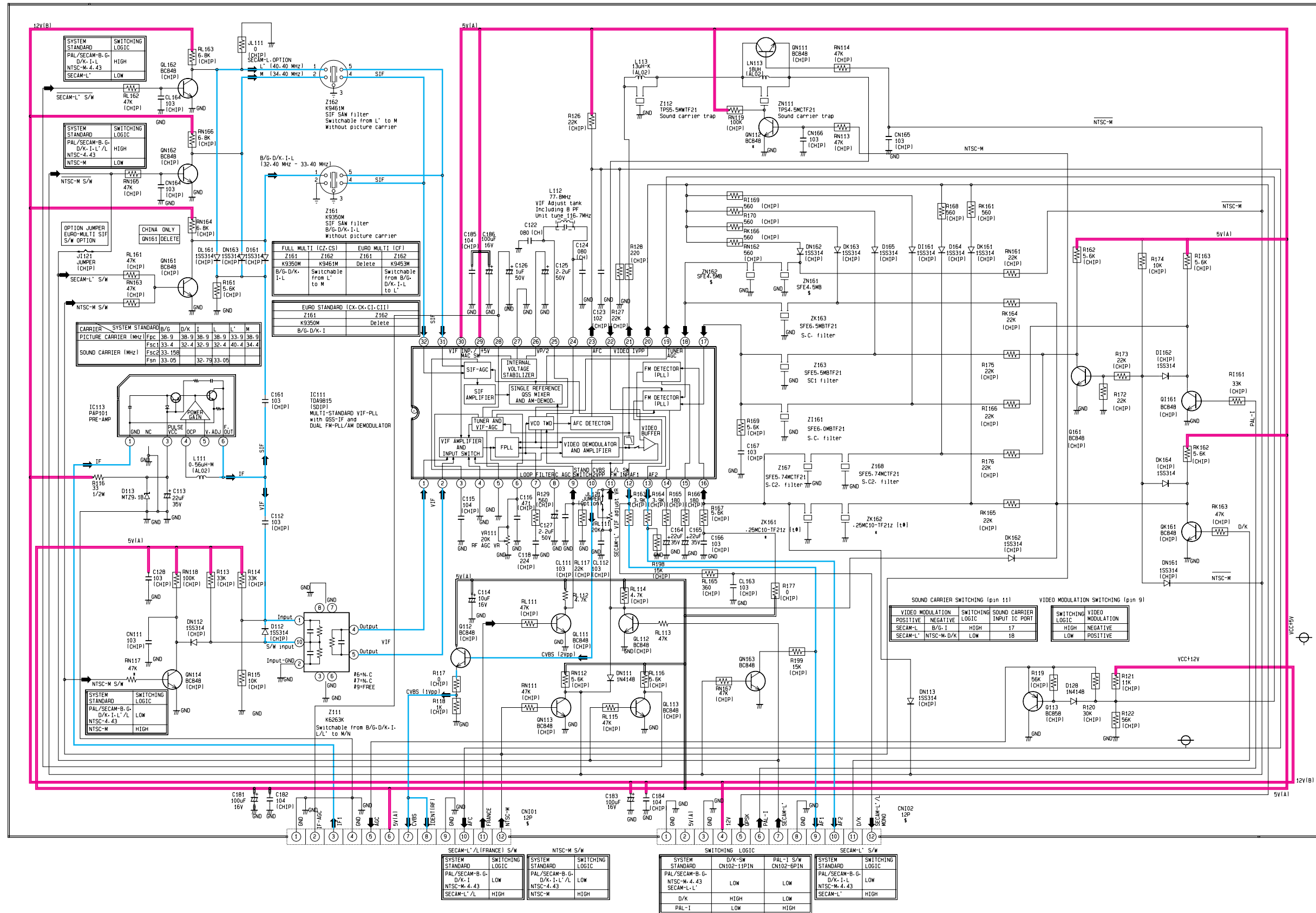
12-9 PWB-PIP



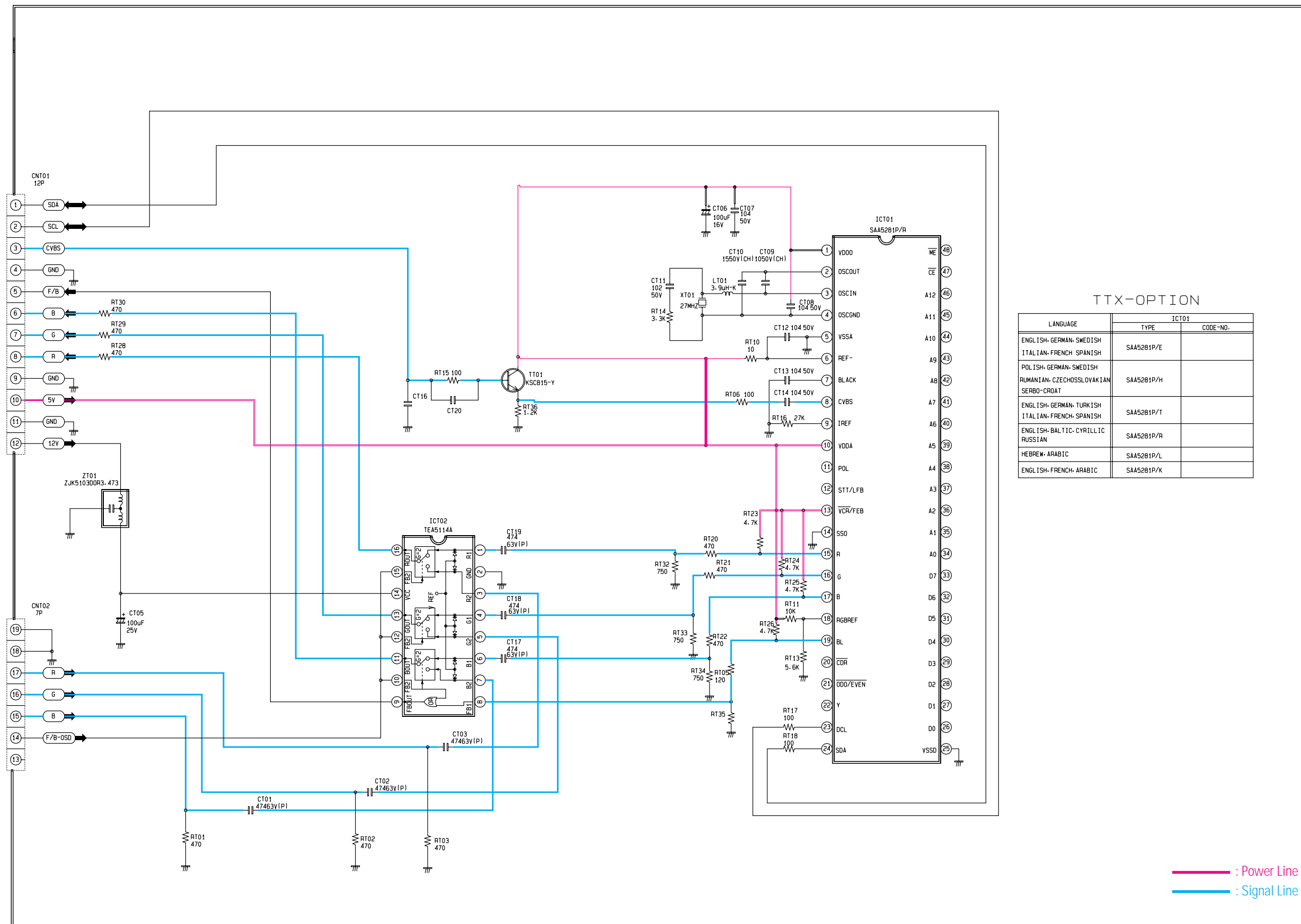
12-10 AUDIO-MODULE



12-11 IF



12-12 TTX

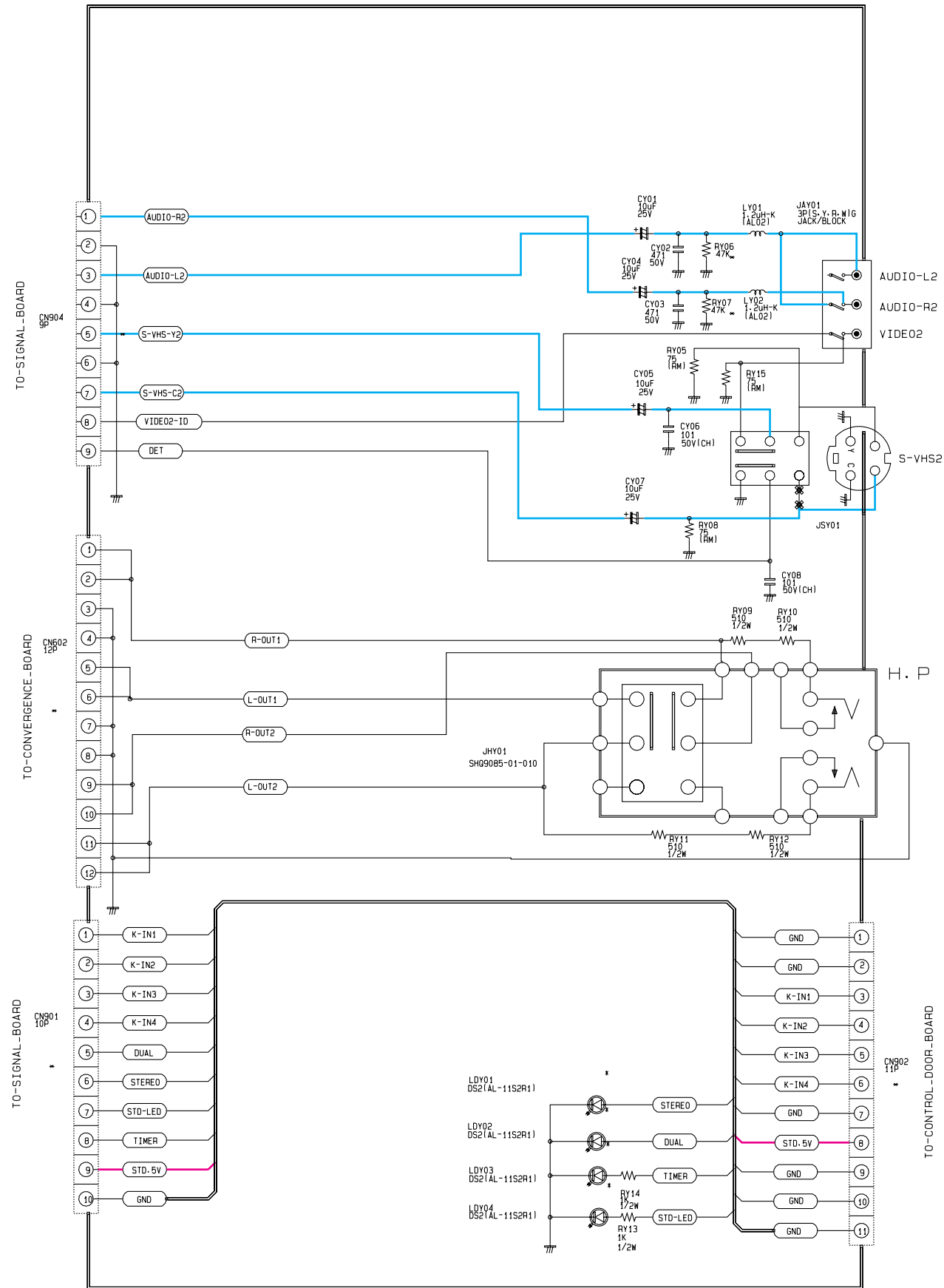


TTX-OPTION

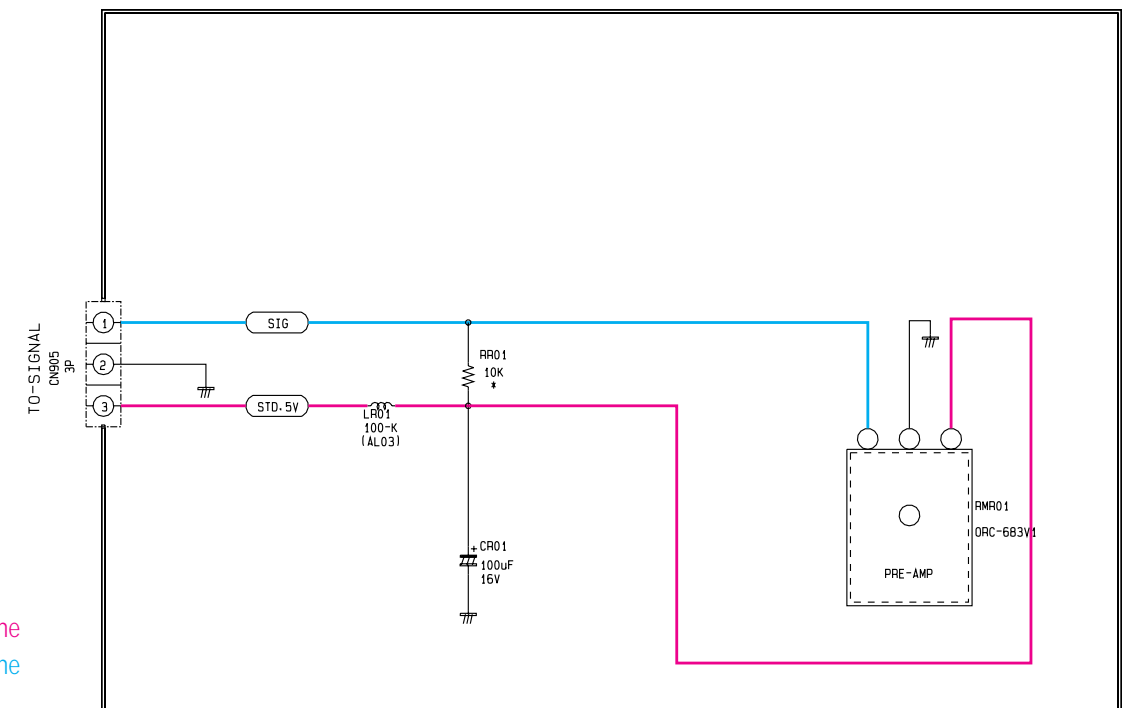
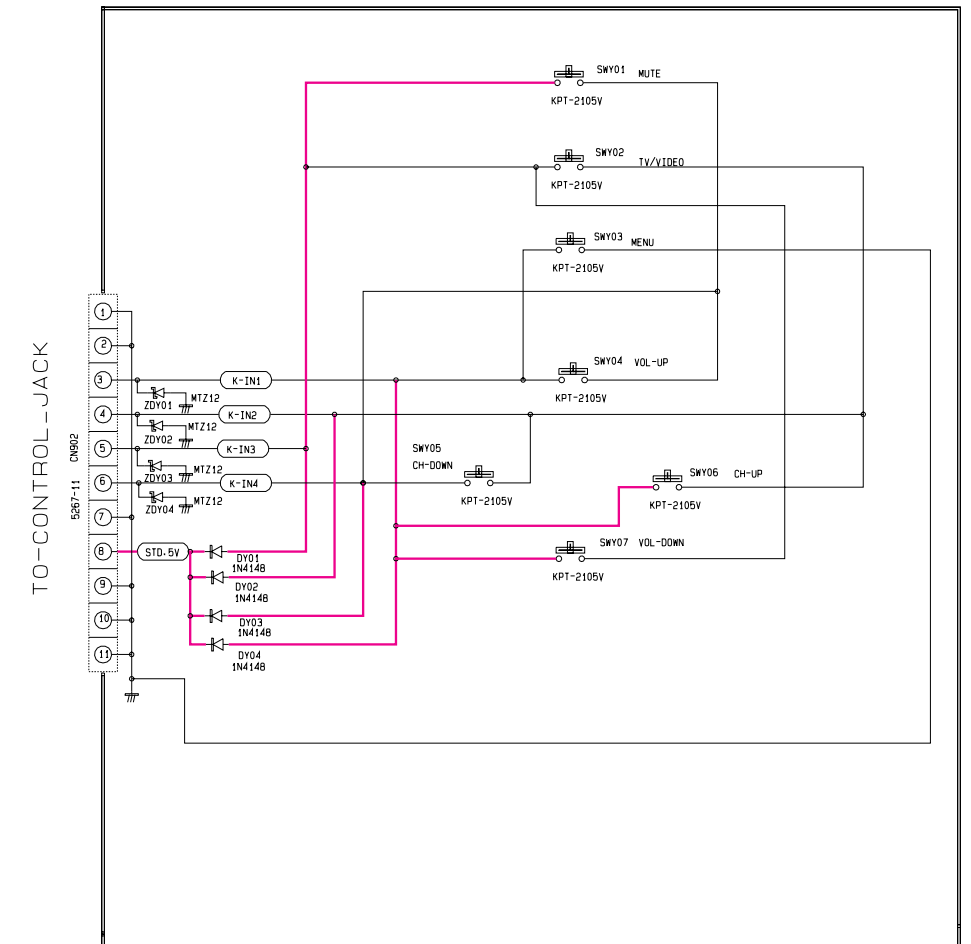
LANGUAGE	ICT01	
	TYPE	CODE-NO.
ENGLISH- GERMAN- SWEDISH	SAA5281P/E	
ITALIAN- FRENCH- SPANISH	SAA5281P/H	
POLISH- GERMAN- SWEDISH	SAA5281P/T	
RUMANIAN- CZECHOSLOVAKIAN	SAA5281P/R	
SERBO-CROAT	SAA5281P/L	
ENGLISH- GERMAN- TURKISH	SAA5281P/K	
ITALIAN- FRENCH- SPANISH		
ENGLISH- BALTIC- CYRILLIC		
RUSSIAN		
HEBREW- ARABIC		
ENGLISH- FRENCH- ARABIC		

— : Power Line
 — : Signal Line

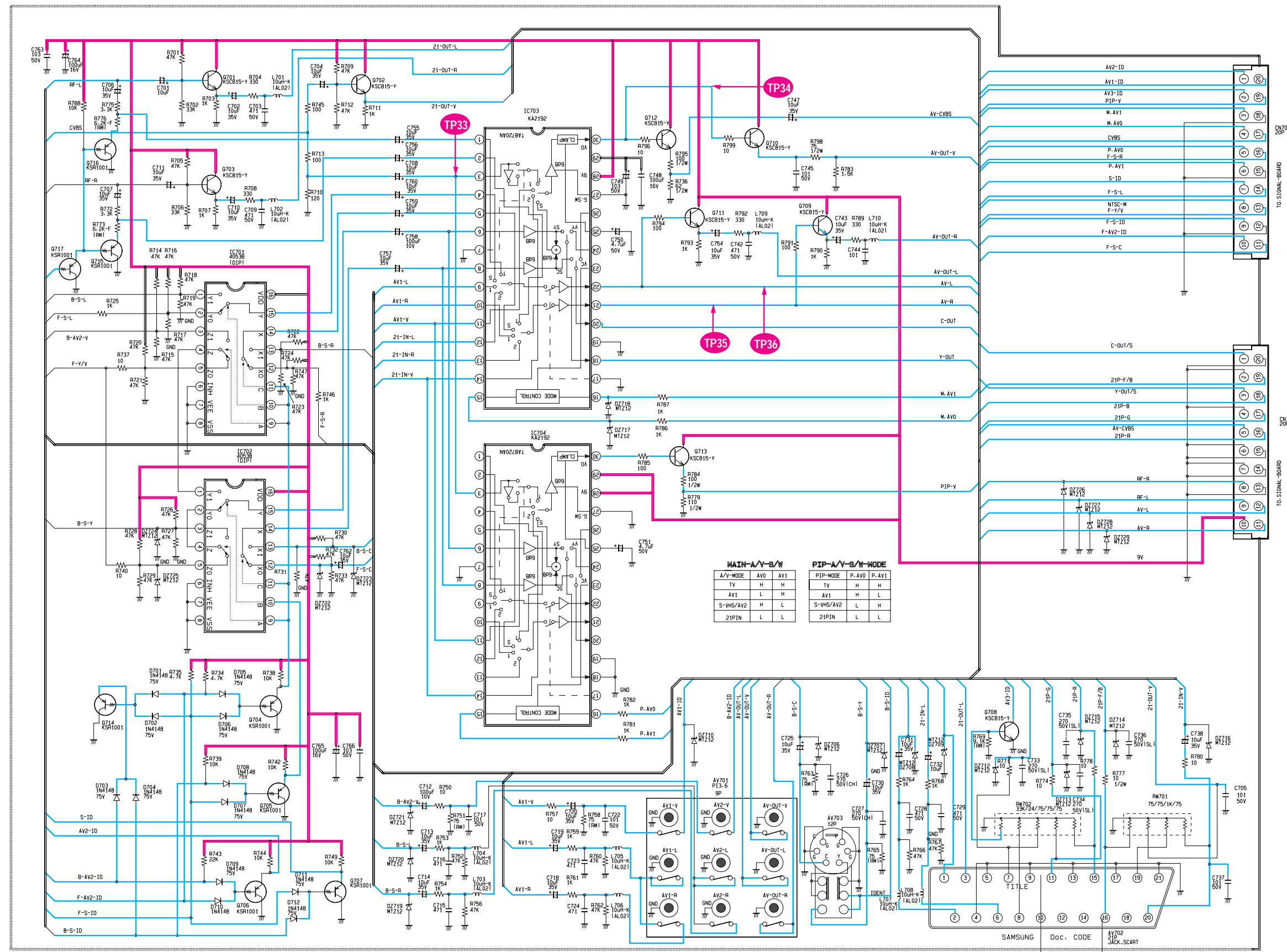
12-13 CONTROL-JACK-A, CONTROL-DOOR,PRE-AMP



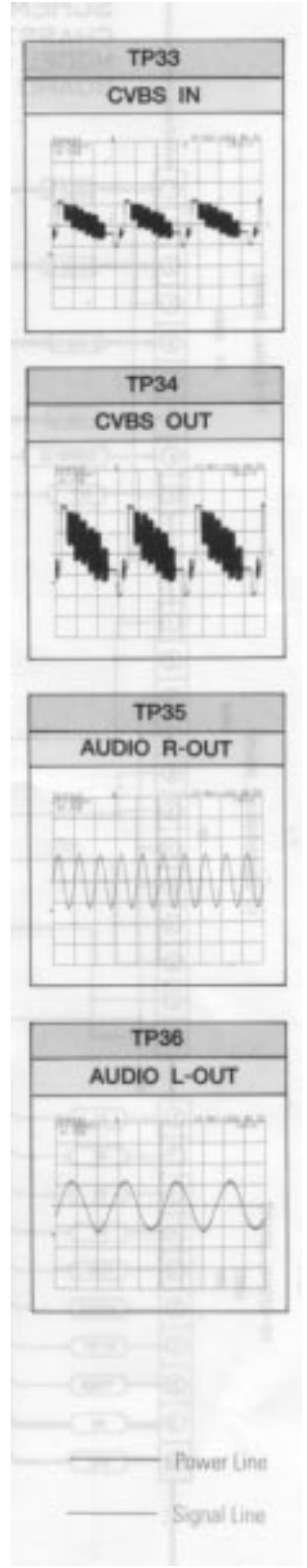
— : Power Line
 — : Signal Line



12-14 A/V-SWITCHING



A/V-S/W. PART



12-15 MIC.MASTER S/W

