



VIDEO CASSETTE RECORDER

SVR-639

SVR-633

SVR-630

SVR-537

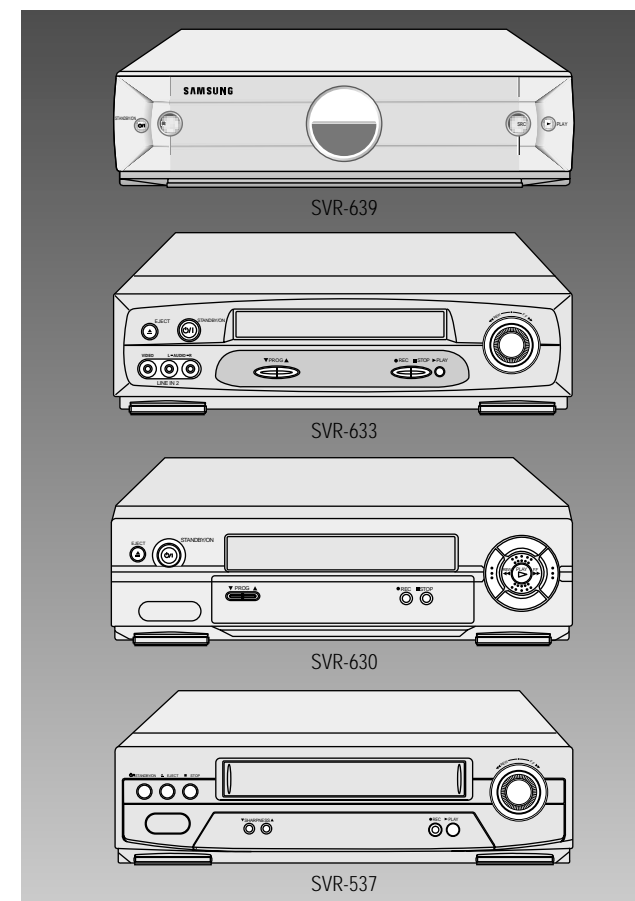
SERVICE MANUAL

SVR-639/633/630/537

SERVICE *Manual*

For mechanical disassembly and adjustment, refer to the "Mechanical Manual" (DX-9R → AC68-00001A).

VIDEO CASSETTE RECORDER



CONTENTS

1. Precautions
2. Alignment and Adjustment
3. Exploded View and Parts List
4. Electrical Parts List
5. Schematic Diagrams



IMPORTANT SERVICE GUIDE

MODE SWITCH (PROGRAM SWITCH) ASSEMBLY POINT

1) When installing the ass'y full deck on the Main PCB, be sure to align the assembly point of mode switch.

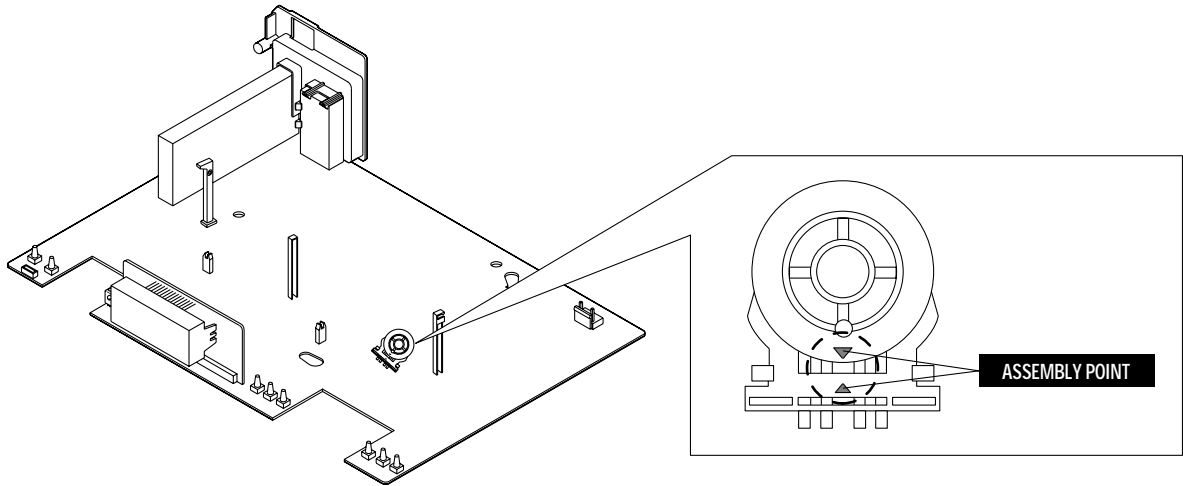


Fig. 1

HOW TO EJECT THE CASSETTE TAPE

(If the unit does not operate on condition that tape is inserted into housing ass'y)

- 1) Remove the Holder Worm ❶ and the gear worm ❷. (See Fig. 2)
- 2) Turn the Gear Worm Wheel ❸ counterclockwise in the direction of arrow with screw driver. (See Fig. 2)
- 3) When Slider S, T are approached in the position of unloading, rotate holder Clutch counterclockwise after inserting screw driver in the hole of frame's bottom in order to wind the unwounded tape. (Refer to Fig. 3)
(If you rotate Gear Worm Wheel continuously when tape is in state of unwinding, you may cause a tape contamination by grease and tape damage. Be sure to wind the unwounded tape in the state of set horizontally.)
- 4) Rotate Gear Worm Wheel ❸ counterclockwise using screw driver again up to the state of eject mode and then pick out the tape. (Refer to Fig. 2)

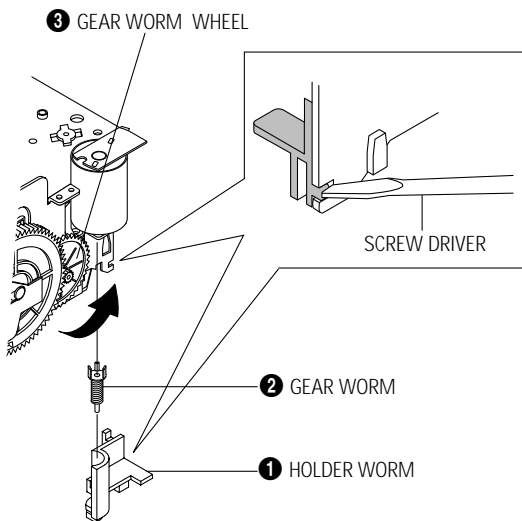


Fig. 2

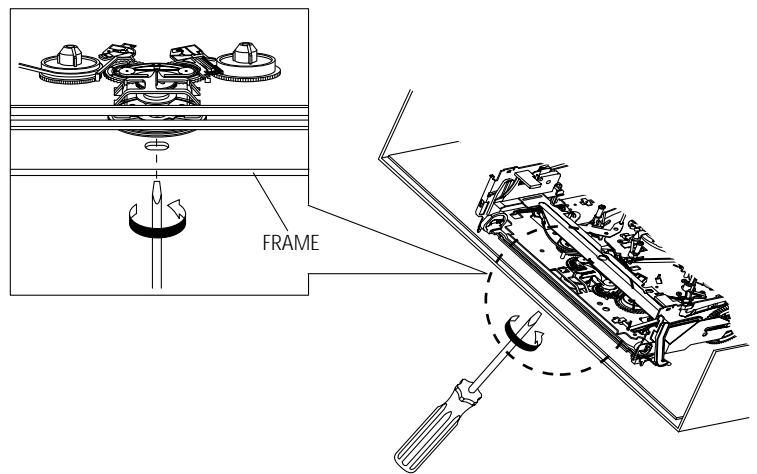


Fig. 3

IMPORTANT SERVICE GUIDE

◆ MODE SWITCH (PROGRAM SWITCH) ASSEMBLY POINT

1) When installing the ass'y full deck on the Main PCB, be sure to align the assembly point of mode switch.

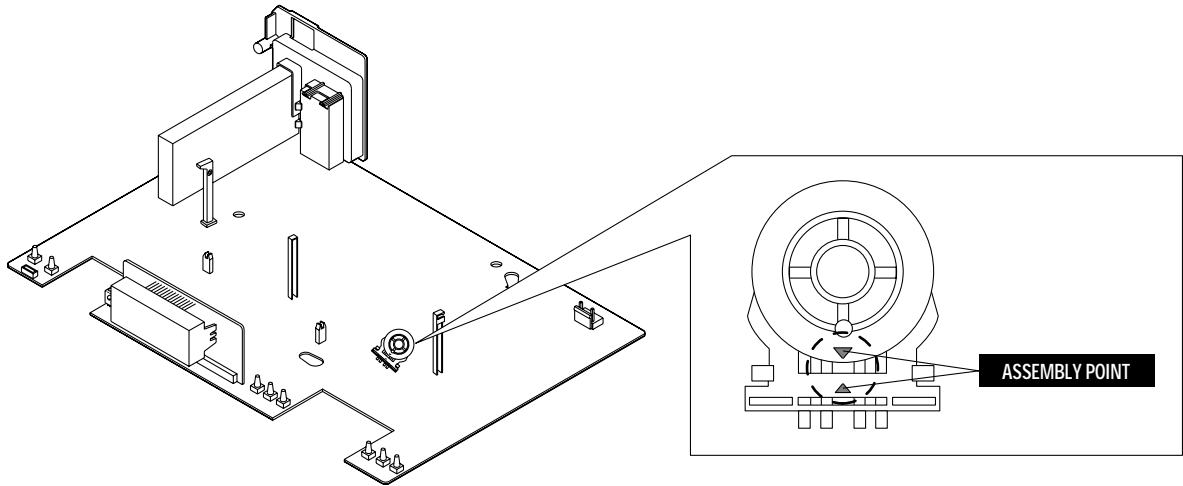


Fig. 1

◆ HOW TO EJECT THE CASSETTE TAPE

(If the unit does not operate on condition that tape is inserted into housing ass'y)

- 1) Remove the Holder Worm ❶ and the gear worm ❷. (See Fig. 2)
- 2) Turn the Gear Worm Wheel ❸ counterclockwise in the direction of arrow with screw driver. (See Fig. 2)
- 3) When Slider S, T are approached in the position of unloading, rotate holder Clutch counterclockwise after inserting screw driver in the hole of frame's bottom in order to wind the unwounded tape. (Refer to Fig. 3)
(If you rotate Gear Worm Wheel continuously when tape is in state of unwinding, you may cause a tape contamination by grease and tape damage. Be sure to wind the unwounded tape in the state of set horizontally.)
- 4) Rotate Gear Worm Wheel ❸ counterclockwise using screw driver again up to the state of eject mode and then pick out the tape. (Refer to Fig. 2)

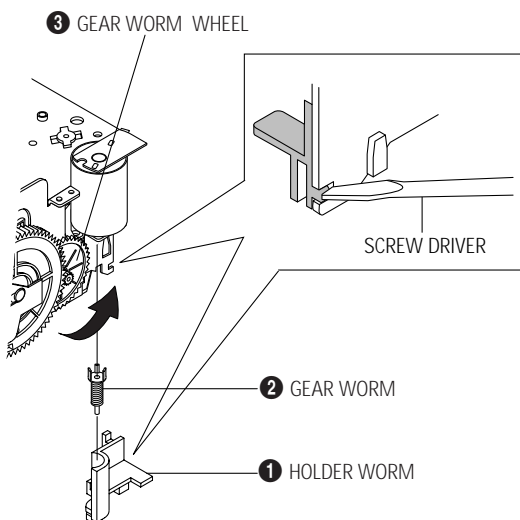


Fig. 2

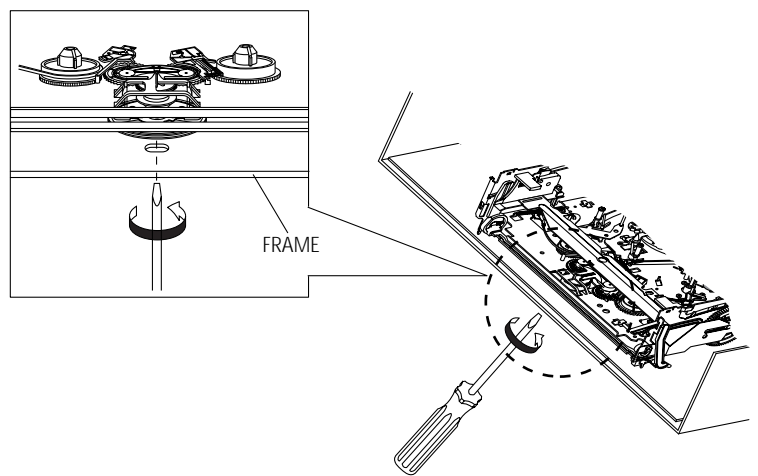


Fig. 3

1. Precautions

1. Be sure that all of the built-in protective devices are replaced. Restore any missing protective shields.
2. When reinstalling the chassis and its assemblies, be sure to restore all protective devices, including : control knobs and compartment covers.
3. Make sure that there are no cabinet openings through which people--particularly children --might insert fingers and contact dangerous voltages. Such openings include the spacing between the picture tube and the cabinet mask, excessively wide cabinet ventilation slots, and improperly fitted back covers.

If the measured resistance is less than 1.0 megohm or greater than 5.2 megohms, an abnormality exists that must be corrected before the unit is returned to the customer.

4. Leakage Current Hot Check (See Fig. 1-1) :
Warning : Do not use an isolation transformer during this test. Use a leakage current tester or a metering system that complies with American National Standards Institute (ANSI C101.1, Leakage Current for Appliances), and Underwriters Laboratories (UL Publication UL1410, 59.7).
5. With the unit completely reassembled, plug the AC line cord directly the power outlet. With the unit's AC switch first in the ON position and then OFF, measure the current between a known earth ground (metal water pipe, conduit, etc.) and all exposed metal parts, including : antennas, handle brackets, metal cabinets, screwheads and control shafts. The current measured should not exceed 0.5 milliamp. Reverse the power-plug prongs in the AC outlet and repeat the test.
6. X-ray Limits :
The picture tube is designed to prohibit X-ray emissions. To ensure continued X-ray protection, replace the picture tube only with one that is the same type as the original.

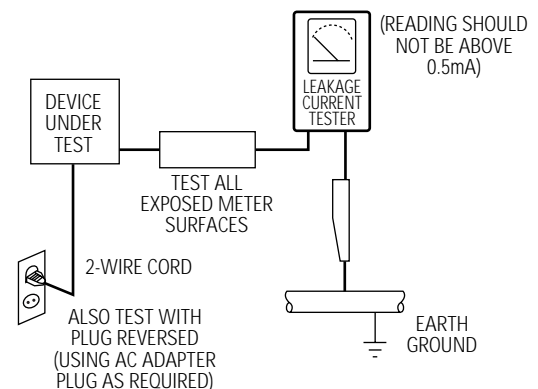


Fig. 1-1 AC Leakage Test

7. Antenna Cold Check :
With the unit's AC plug disconnected from the AC source, connect an electrical jumper across the two AC prongs. Connect one lead of the ohmmeter to an AC prong. Connect the other lead to the coaxial connector.
8. High Voltage Limit :
High voltage must be measured each time servicing is done on the B+, horizontal deflection or high voltage circuits.

Heed the high voltage limits. These include the X-ray protection Specifications Label, and the Product Safety and X-ray Warning Note on the service data schematic.
9. Some semiconductor ("solid state") devices are easily damaged by static electricity. Such components are called Electrostatically Sensitive Devices (ESDs); examples include integrated circuits and some field-effect transistors. The following techniques will reduce the occurrence of component damage caused by static electricity.
10. Immediately before handling any semiconductor components or assemblies, drain the electrostatic charge from your body by touching a known earth ground. Alternatively, wear a discharging Wrist-strap device. (Be sure to remove it prior to applying power--this is an electric shock precaution.)

11. High voltage is maintained within specified limits by close-tolerance, safety-related components and adjustments. If the high voltage exceeds the specified limits, check each of the special components.
12. Design Alteration Warning :
Never alter or add to the mechanical or electrical design of this unit. Example : Do not add auxiliary audio or video connectors. Such alterations might create a safety hazard. Also, any design changes or additions will void the manufacturer's warranty.
13. Hot Chassis Warning :
Some TV receiver chassis are electrically connected directly to one conductor of the AC power cord. If an isolation transformer is not used, these units may be safely serviced only if the AC power plug is inserted so that the chassis is connected to the ground side of the AC source.

To confirm that the AC power plug is inserted correctly, do the following : Using an AC voltmeter, measure the voltage between the chassis and a known earth ground. If the reading is greater than 1.0V, remove the AC power plug, reverse its polarity and reinsert. Re-measure the voltage between the chassis and ground.
14. Some TV chassis are designed to operate with 85 volts AC between chassis and ground, regardless of the AC plug polarity. These units can be safely serviced only if an isolation transformer inserted between the receiver and the power source.
15. Never defeat any of the B+ voltage interlocks. Do not apply AC power to the unit (or any of its assemblies) unless all solid-state heat sinks are correctly installed.
16. Always connect a test instrument's ground lead to the instrument chassis ground before connecting the positive lead; always remove the instrument's ground lead last.
17. Observe the original lead dress, especially near the following areas : Antenna wiring, sharp edges, and especially the AC and high voltage power supplies. Always inspect for pinched, out-of-place, or frayed wiring. Do not change the spacing between components and the printed circuit board. Check the AC power cord for damage. Make sure that leads and components do not touch thermally hot parts.
18. Picture Tube Implosion Warning :
The picture tube in this receiver employs "integral implosion" protection. To ensure continued implosion protection, make sure that the replacement picture tube is the same as the original.
19. Do not remove, install or handle the picture tube without first putting on shatterproof goggles equipped with side shields. Never handle the picture tube by its neck. Some "in-line" picture tubes are equipped with a permanently attached deflection yoke; do not try to remove such "permanently attached" yokes from the picture tube.
20. Product Safety Notice :
Some electrical and mechanical parts have special safety-related characteristics which might not be obvious from visual inspection. These safety features and the protection they give might be lost if the replacement component differs from the original—even if the replacement is rated for higher voltage, wattage, etc.

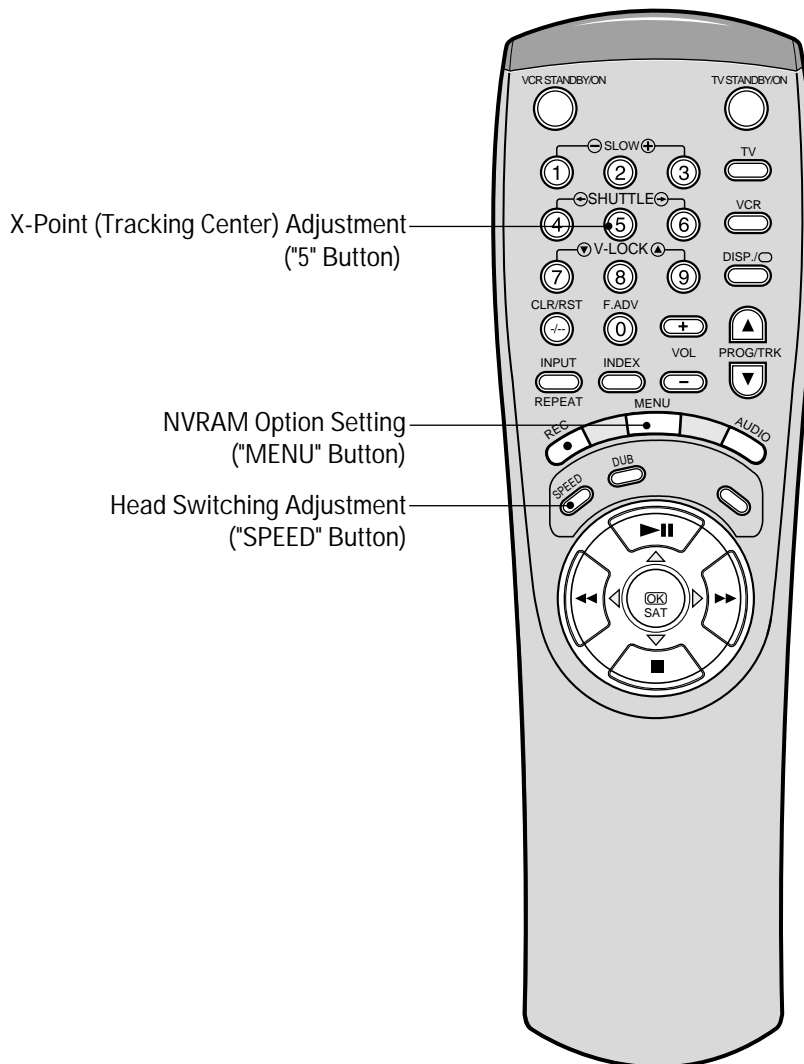
Components that are critical for safety are indicated in the circuit diagram by shading, (⚠ or ⚡).
Use replacement components that have the same ratings, especially for flame resistance and dielectric strength specifications. A replacement part that does not have the same safety characteristics as the original might create shock, fire or other hazards.

2. Alignment and Adjustment

2-1 Reference

- 1) X-Point (Tracking center) adjustment, "Head switching adjustment" and "NVRAM option setting" can be adjusted with remote control.
- 2) When replacing the Micom (IC601) and NVRAM (IC605 ; EEPROM) be sure to adjust the "Head switching adjustment" and "NVRAM option setting".
- 3) When replacing the cylinder ass'y, be sure to adjust the "X-Point" and "Head switching adjustment".
- 4) Among Samsung VCR remote control used for adjustment as a accessory, only the remote control that has figures buttons (0 ~ 9) is available for all adjustment regardless of chassis.
- 5) How to adjustment.
 - Press the "SW718 (TEST)" button on Main PCB to set the adjustment mode.
 - If the corresponding adjustment button is pressed, the adjustment is performed automatically.
 - If the adjustment is completed, be sure to turn the power off.

2-1-1 Location of adjustment button of remote control



<This type of remote control can adjust.>

Remote Control for adjustment is not supplied as a Service Jig.

Fig. 2-1

2-1-2 SW718 (TEST) location for adjustment mode setting

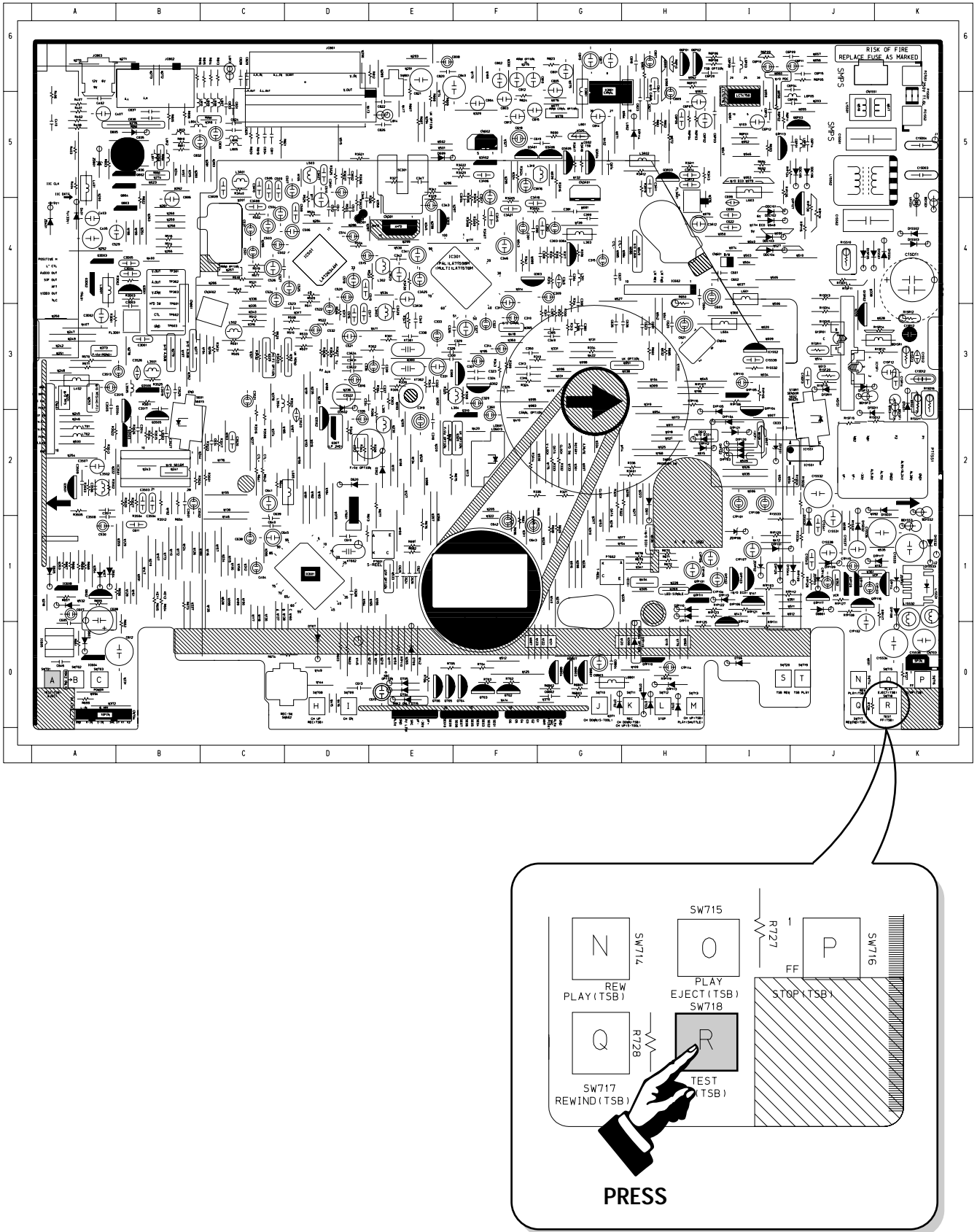


Fig. 2-2 Main PCB (Top View)

2-2 Mechanical Adjustment

Note : Refer to the Mechanical Manual “DX-9R (AC68-00001A)” for the adjustment and confirmation of ass’y full deck.

2-2-1 The number and position of test point

Test point :	TP601 (H'D S/W -Trigger)	TP301 (Video output)
	TP602 (Control Pulse)	TP302 (Audio output)
		TP303 (Envelope)

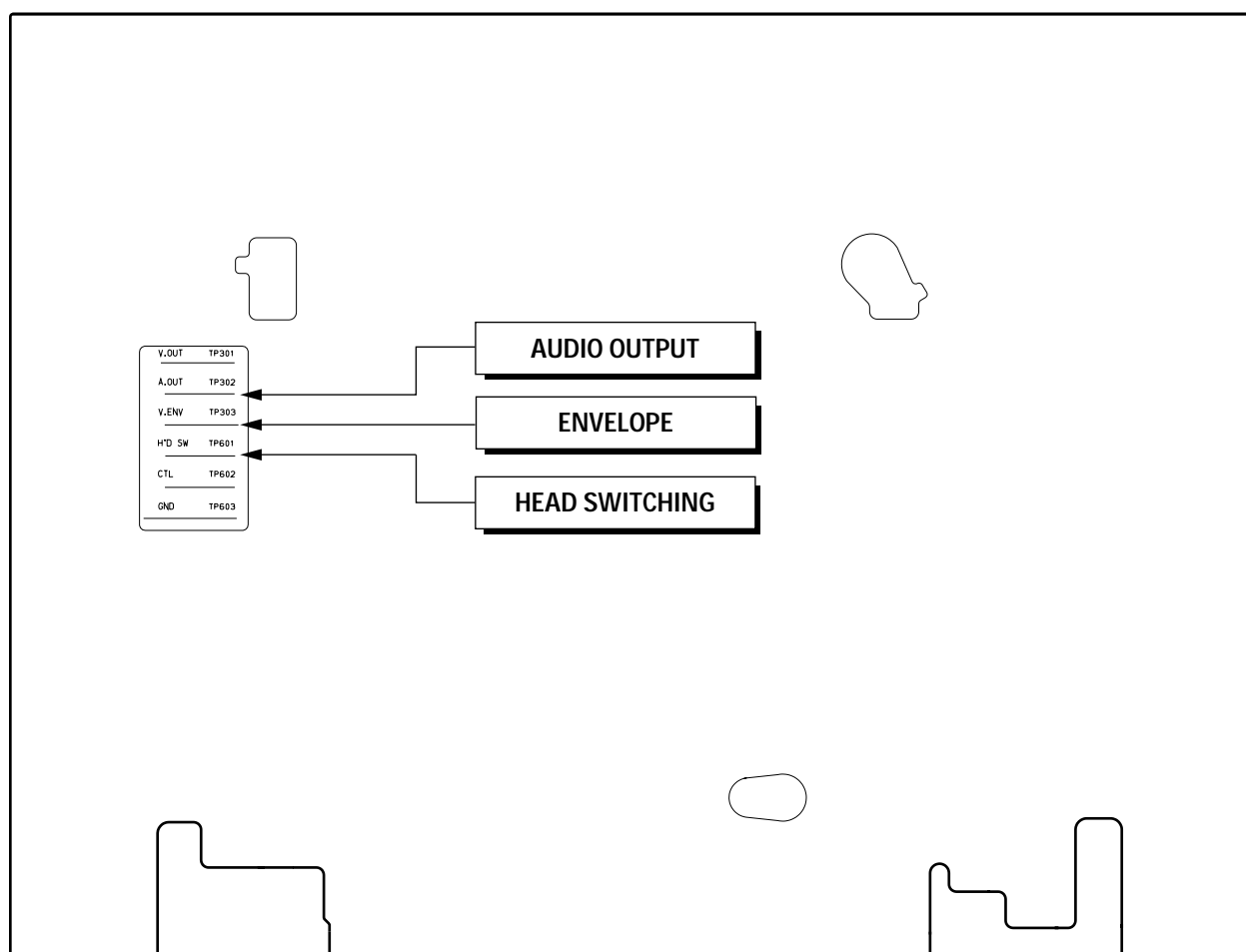


Fig. 2-3 Location of Test point (Main PCB-Top View)

2-2-2 ACE Head Position (X-Point) Adjustment (See the 2-2-1(d) ACE Head Position (X-Point) Adjustment on page 2-2 of the Mechanical Manual)

- 1) Playback the alignment tape (Color bar).
- 2) Press the “SW718 (TEST)” button on Main PCB to set the adjustment mode. (See Fig. 2-2)
- 3) Press the “5” button of remote control then adjustment is operated automatically. (See Fig. 2-1)
- 4) Connect the CH-1 probe to TP303 (Envelope) the CH-2 probe to TP601 (H'D switching pulse) and then trigger to CH-1.
- 5) Insert the (-) driver into the X-Point adjustment hole and adjust it so that envelope waveform is maximum.
- 6) Turn the Power off.

2-3 Head Switching Point Adjustment

- 1) Playback the alignment tape.
- 2) Press the “SW718 (TEST)” button on Main PCB to set the adjustment mode. (See Fig. 2-2)
- 3) Press the “SPEED” button of remote control then adjustment is operated automatically. (See Fig. 2-1)
- 4) Turn the Power off.

2-4 NVRAM Option Setting

- 1) NVRAM Option is adjusted at production line basically.
- 2) In case Micom (IC601) and NVRAM (IC605 ; EEPROM) is replaced, be sure to set the corresponding option number of the repaired model. (If the option is not set, the unit is not operated.)

- 1) Press the “SW718 (TEST)” button on Main PCB to set the adjustment mode. (See Fig. 2-2)
- 2) Press the “MENU” button on the remote control about 5 seconds then option setting display is appeared. (See Fig. 2-4)
- 3) Select the option number (See Table 2-1) of corresponding model with “FF” and “REW” button on the remote control.
- 4) If selecting the option number is completed, press the “PLAY” button of remote control. (If “PLAY” button is pressed, the selected number is changes reversed color. ; See Fig. 2-4)
- 5) Press the “OK” button of remote control again to store the option number. (“PLEASE WAIT” is displayed for a second as shown Fig. 2-5 and this setting is completed.)
- 6) Turn the Power off.

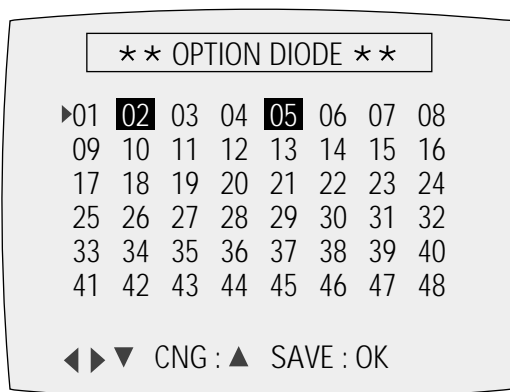


Fig. 2-4

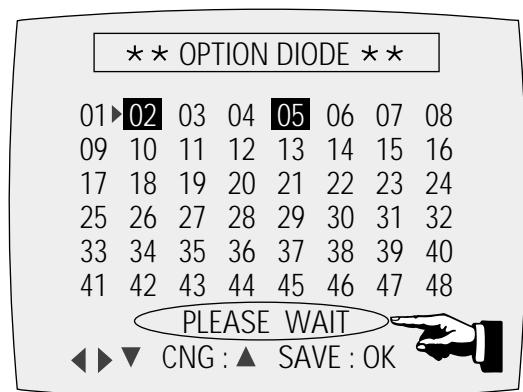


Fig. 2-5

<Table 2-1>

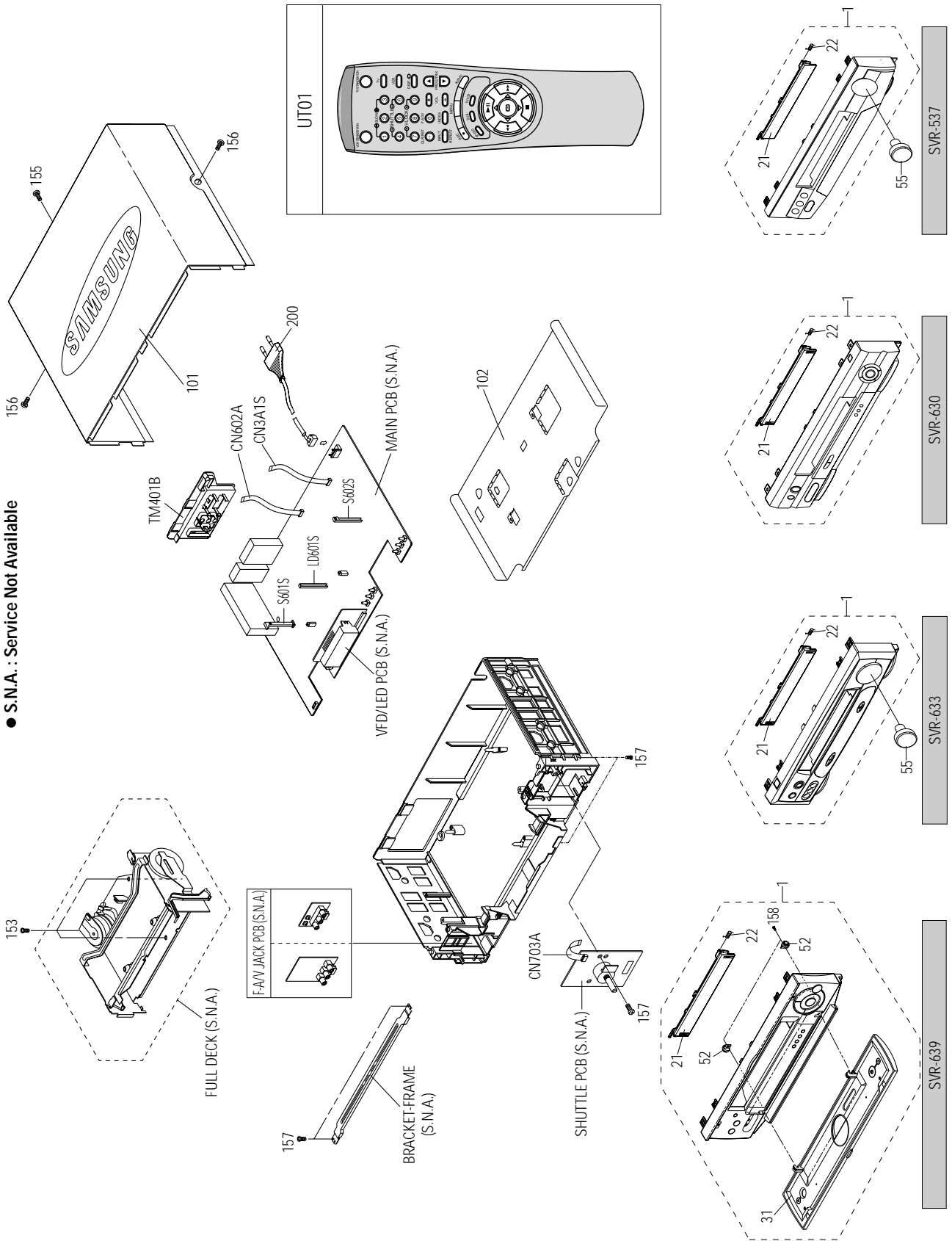
MODELS	OPTION NUMBER
SVR-639	2, 6, 8, 11, 12, 13, 16, 18, 19, 20, 21, 22, 25, 30, 31, 32, 33, 37, 41, 44, 46, 50, 54
SVR-633	6, 8, 11, 12, 13, 17, 18, 22, 25, 30, 31, 32, 35, 41, 42, 44, 45, 46, 50, 54
SVR-630	8, 11, 12, 13, 17, 18, 22, 25, 30, 31, 32, 35, 37, 38, 41, 42, 46, 50, 54
SVR-537	9, 10, 11, 13, 17, 18, 20, 22, 30, 31, 32, 34, 39, 40, 42, 45

3. Exploded View and Parts List

	Page
3-1 Cabinet Assembly - - - - -	3-2
3-2 Mechanical Parts (Top Side) - - - - -	3-6
3-3 Mechanical Parts (Bottom Side) - - - - -	3-8

3-1 Cabinet Assembly

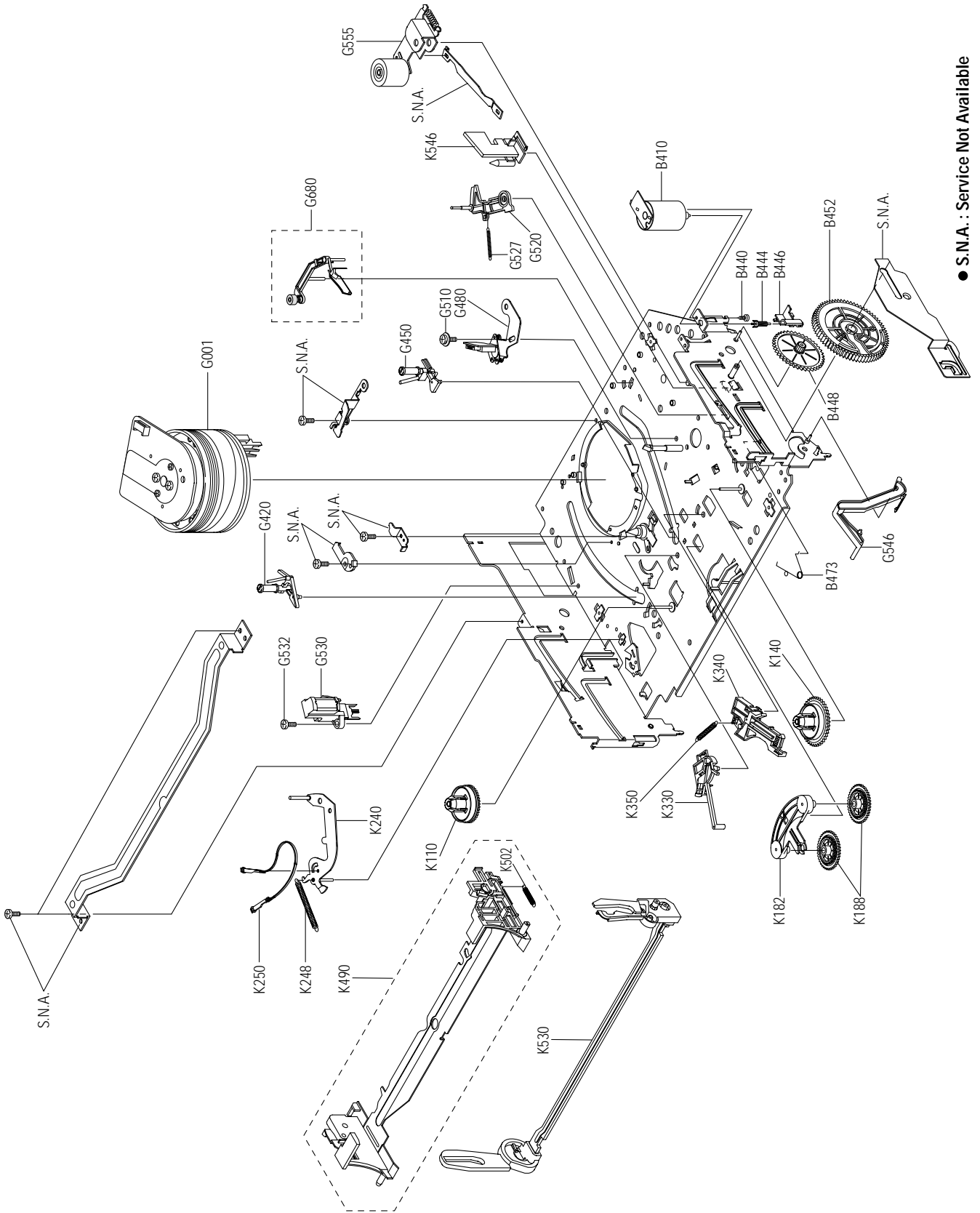
● S.N.A. : Service Not Available



Loc. No	Parts No.	Description ; Specification	Remark
1	Refer to table below	ASSY-PANEL FRONT;HIPS 94HB	
21	Refer to table below	DOOR-CASSETTE	
22	AC61-62032A	SPRING-MASK;X-9,-,SUS,-,4.4,-,SV-C130	
31	AC64-00072R	DOOR FRONT-ASSY	SVR-639 ONLY
52	62664-0021-00	ASSY-DAMPER	SVR-639 ONLY
55	Refer to table below	KNOB-SHUTTLE-,ABS,-,94HB	
101	Refer to table below	CABINET-TOP;X-9,SECC,PCM,0.5,360*208*41,	
102	AC63-32128A	COVER-BOTTOM;SV-C140F,SECC,387.7X197.6	
153	AC60-12126A	SCREW-BH;- ,BH,-,4*12,FE,FZY,-,-,-	
155	AC60-12134A	SCREW-TAP BH;- ,BH,-,2-4X16,-,FE	
156	AC60-00001A	SCREW-MACINE;- ,BH,*4X12,M4,L12,BLK,SMC	
157	AC60-10063A	SCREW-TAPTITE;BH,+,-,M3,L12,ZPC3,SWRCH18	
158	AC60-00069A	SCREW-TAP;3X10,FE, FEY	
200	AC39-10019A	POWER CORD;KKP-419C,H03VVH2-F,VDE/KEMA-K	
CN3A1S	3809-001111	CABLE-FLAT;30V,80C,130mm,7P,1.25mm,UL289	
CN602A	3809-001049	CABLE-FLAT;30V,80C,100mm,5P,1.25mm,UL289	
CN703A	3809-001132	CABLE-FLAT;30V,80C,130mm,5P,1.25mm,UL289	SVR-633/537 ONLY
LD601S	AC61-21009A	HOLDER-LED;- ,POM(M90-44)-,BLK,-,X-9	
S601S	AC61-21008A	HOLDER-SENSOR;- ,POM(M90-44)-,BLK,-,X-9	
S602S	AC61-21008A	HOLDER-SENSOR;- ,POM(M90-44)-,BLK,-,X-9	
TM401B	Refer to table below	CONNECTOR BOARD-ASSY;HIPS94	
UT01	Refer to table below	REMOCON-ASSY	

MODELS	1	21	55	101	TM401B	UT01
SVR-639	AC97-00243H	AC64-52158T	-	AC64-30899F	AC61-00060K	AC59-00010P
SVR-633	AC97-00871A	AC64-00203M	AC64-00319B	AC64-30899F	AC61-00060E	AC59-00016F
SVR-630	AC97-00621M	AC64-00177C	-	AC64-30899A	AC61-00060E	AC59-00016F
SVR-537	AC97-00621K	AC64-00069C	AC64-00336A	AC64-30899A	AC61-00060E	AC59-00013B

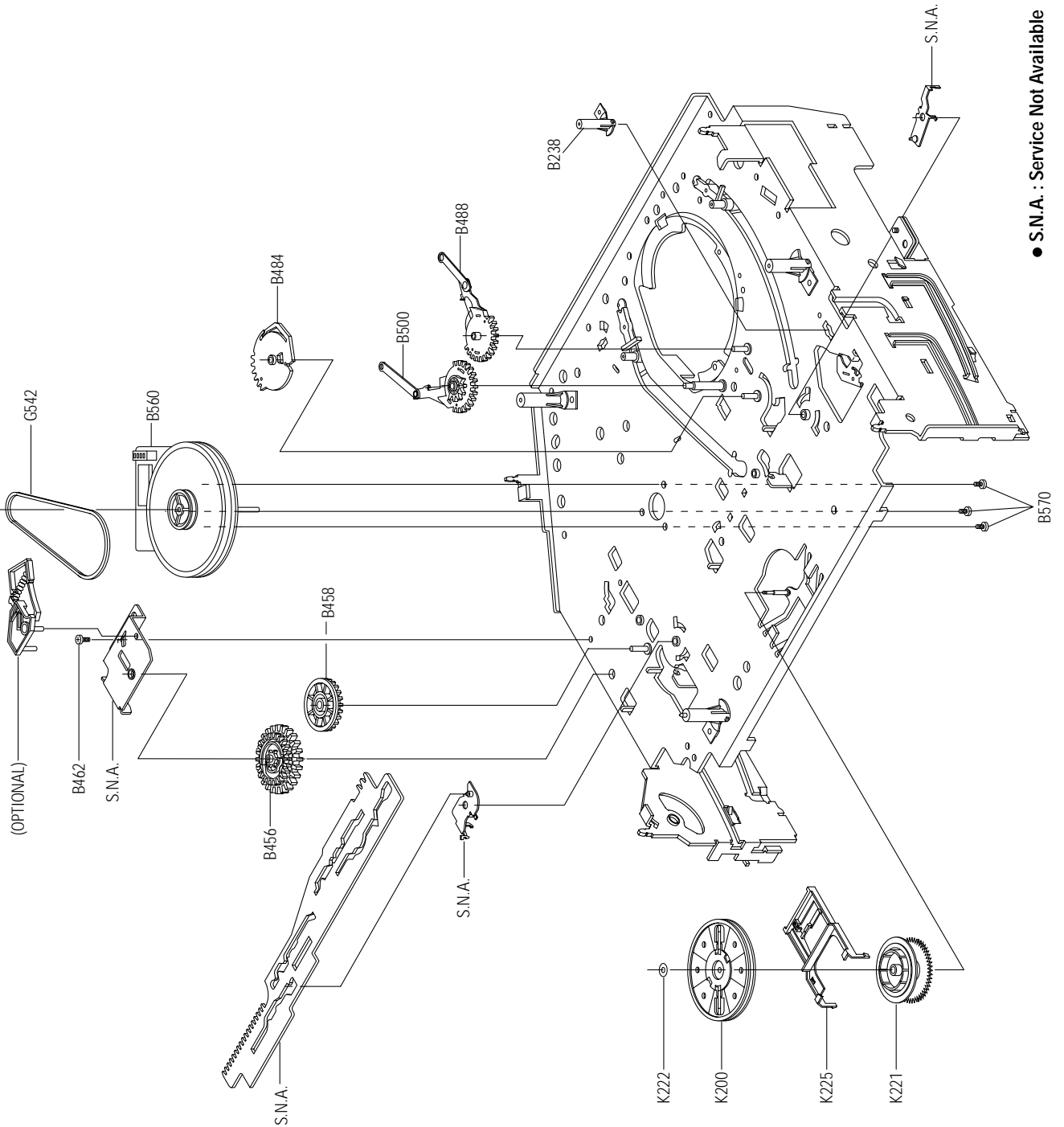
3-2 Mechanical Parts (Top Side)



● S.N.A. : Service Not Available

Loc. No	Parts No.	Description ; Specification	Remark
B410	AC31-12016D	MOTOR-LOADING ASSY;-;SNHNE;-;-	
B440	AC60-10515A	SCREW-MACHINE;-;-PH;-;-M3,L3,ZPC;-;-YEL	
B444	AC66-20571A	GEAR-WORM;-;-POM SW-01,0.5,2;-;-4.5,X-9	
B446	AC61-21005A	HOLDER-WORM;-;-POM M90-44;-;-X-9	
B448	AC66-20573A	GEAR-WORM WHEEL;-;-POM SW-01,0.6,11;-;-6.6	
B452	AC66-20575A	GEAR-FL CAM;-;-POM SW-01,M0.6,Z88;-;-PCD58	
B473	AC61-60559A	SPRING-PINCH DRIVE;-;-TS,SUS304,PI0.5,OD4	
G001	AC97-00567A	ASSY-CYLINDER;CX-9T,SECAM 6HD/DLC	(SVR-639)
	AC97-00563A	ASSY-CYLINDER;CX-9T, PAL 6HD/DLC	(SVR-633/SVR-630)
	AC97-00559A	ASSY-CYLINDER;CX-9T, PAL 2HD(SP)HI-FI/DLC	(SVR-537)
G420	AC66-80142A	SLIDER-SUPPLY ASSY;-;-X-9(TS);-;-X-9	
G450	AC66-80141A	SLIDER-TAKE UP ASSY;-;-X-9(TS);-;-X-9	
G480	AC33-00003A	HEAD-ACE ASSY;SHINHEUNG;-;-X-9	
G510	6006-001075	SCREW-ASSY TAPT;WSP;PH;-;-M2.6,L5.0,ZPC	
G520	AC66-30539A	LEVER-#9 GUIDE ASSY;-;-X-9(TS);-;-X-9	
G527	AC61-60553A	SPRING-#9 GUIDE;-;-ES,SUS304-WPB,OD3.1,0.	
G530	AC33-00002A	HEAD-FE;-;-HVFHP0038A;-;-X-9	
G532	AC60-10519A	SCREW-TAP TITE;-;-PH;-;-M2.6,L8,ZPC	
G546	AC66-30535A	LEVER-FL DOOR;-;-POM M90-44;-;-BLK,X-9	
G555	AC59-90403A	UNIT-PINCH ASSY;X-9;-	
G680	AC66-30557A	LEVER-H/CLEANER ASSY;-;-POM+URETHANE;-;-	(OPTIONAL)
K110	AC66-10267A	REEL-DISK S;-;-POM M90-44;-;-X-9	
K140	AC66-10268A	REEL-DISK T;-;-POM M90-44;-;-X-9	
K182	AC66-30524A	LEVER-IDLER;-;-POM9044;-;-	
K188	AC66-20577A	GEAR-IDLER;-;-PEBAX 7033;-;-X-9	
K240	AC66-30538A	LEVER-TENSION ASSY;-;-X-9(TS);-;-X-9	
K248	AC61-60554A	SPRING-TENSION LEVER;-;-ES,SUS304-WPB,OD3	
K250	AC63-12029A	BAND-BRAKE ASSY;-;-X-9(TS);-;-X-9	
K330	AC66-30550A	LEVER-S.BRAKE ASSY;-;-POM+SUS;-;-X-9	
K340	AC66-30549A	LEVER-T.BRAKE ASSY;-;-POM+SUS;-;-X-9	
K350	AC61-60564A	SPRING-BRAKE;-;-TENSION,SWP-A,0.25,3;-;-X-	
K490	AC61-21010B	HOLDER-CASS ASSY;-;-SECC+POM+SUS;-;-X-	
K502	AC61-60561A	SPRING-FL.LEVER-LR;-;-ES,SUS304 WPB,PI2.7	
K530	AC66-30546A	LEVER-FL.ARM ASS'Y;-;-SECC+POM+SUS;-;-	
K546	AC61-50658A	GUIDE-CASS. DOOR;-;-POM M90-44;-;-NTR;-;	

3-3 Mechanical Parts (Bottom Side)



● S.N.A. : Service Not Available

Loc. No	Parts No.	Description ; Specification	Remark
B238	AC61-50660A	SLEEVE-TENSION;-;POM M90-44,-,-,ID3,-,-,	
B456	AC66-20576A	GEAR-JOINT 1;-;POM SW-01,M1.0,Z22,-,PCD2	
B458	AC66-20574A	GEAR-JOINT 2;-;POM SW-01,M1.0,Z14,-,PCD1	
B462	AC60-10517A	SCREW-TAP TITE;-;PH,+,-,M2.6,L5,ZPC,-,YE	
B484	AC66-20580A	GEAR-LOADING DRIVE;-;POM SW-01,M1.0,Z32,	
B488	AC66-30543A	LEVER-S LOAD ASSY;-,-,-,-,-,X-9	
B500	AC66-30542A	LEVER-T LOAD ASSY;-,-,-,-,-,X-9	
B560	AC31-00005A	MOTOR-CAPSTAN;-;F2QSB02,-,-	
B570	AC60-10514A	SCREW-CAPSTAN;-;PH,+,-,M2.6,L6,-	
G542	AC66-60051A	BELT-PULLEY;-;5CM-70,2 * 2,-,-,71.3,-,X-9	
K200	AC61-21012A	HOLDER-CLUTCH ASSY;-,-,-,-,-,X-9	
K221	AC66-20581A	GEAR-CENTER ASSY;-;POM,M=0.5,-,HIGHT T.,	
K222	AC60-30306A	WASHER-SLIT;-,-,ID2.1,OD5.0,T0.5,-,POLYS	
K225	AC66-30547A	LEVER-UP DOWN ASSY;-;POM+SUS,-,-,-,-,X-9	

MEMO

4. Electrical Parts List

Loc.No	Part No	Description ; Specification	Remark	Loc.No	Part No	Description ; Specification	Remark
-	-	ASSY-PCB-MAIN	S.N.A.	R1SF21	2001-000096	R-CARBON(S);1MOHM,5%,1/2W,AA,TP,2.4X6.4MM	
S.M.P.S. PARTS				R1SS10	2006-000262	R-CEMENT;2.7ohm,10%,2W,CB,TP,7.5x11x20.	
BD1SD1	AC27-92001M	INDUCTOR;70UH-M RT BFS3565R2F,-,-,-,-		R1SS11	2003-000994	R-METAL OXIDE(S);33Kohm,5%,2W,AF,TP,3.9x	
BD1SF3	AC27-92001M	INDUCTOR;70UH-M RT BFS3565R2F,-,-,-,-		R1SS13	2003-000148	R-METAL OXIDE;1000HM,5%,2W,AE,TP,6X16MM	
BD1SR1	3301-000297	CORE-FERRITE BEAD-AA,3.6x1.2x5.7mm,1400,		R1SS31	2001-000440	R-CARBON;10HM,5%,1/8W,AA,TP,1.8X3.2MM	
BD1SS2	AC27-92001M	INDUCTOR;70UH-M RT BFS3565R2F,-,-,-,-	SVR-537 NOT USED	R1SS32	2001-000429	R-CARBON;1KOHM,5%,1/8W,AA,TP,1.8X3.2MM	
BD1SS3	AC27-92001M	INDUCTOR;70UH-M RT BFS3565R2F,-,-,-,-		R1SS33	2004-000869	R-METAL;3Kohm,1%,1/8W,AA,TP,1.8x3.2mm	
C1SD03	2201-000812	C-CERAMIC,DISC;2.2nF,20%,400V,Y5U,BK,12.		R1SS34	2004-000459	R-METAL;2.2Kohm,1%,1/8W,AA,TP,1.8x3.2m	
C1SD04	2201-000812	C-CERAMIC,DISC;2.2nF,20%,400V,Y5U,BK,12.		VA1SS1	1405-001026	VARISTOR;470V,600A,9x7mm,TP	△
C1SD11	2401-003303	C-AL;82uF,20%,400V,GP,BK,22X30,10		POWER DRIVE PARTS			
C1SD12	2305-001029	C-FILM,MPEF;10nF,10%,630V,TP,12x9x12.5,5		C1P102	2401-002144	C-AL;47uF,20%,16V,GP,TP,5x11,5	
C1SD13	2201-000376	C-CERAMIC,DISC;0.22nF,5%,50V,SL,TP,6.3x3		C1P103	2401-000598	C-AL;1uF,20%,50V,GP,TP,4x7,5	
C1SF12	2401-001200	C-AL;33uF,20%,50V,WT,TP,6.3x11,5		C1P104	2401-002299	C-AL;4.7uF,20%,50V,GP,TP,5x7,5	
C1SS01	2305-001021	C-FILM,MPEF;100nF,20%,275V,TP,17.5x7x13.	△	C1P105	2401-003107	C-AL;47uF,20%,16V,GP,TP,5x7,5	
C1SS02	2305-001021	C-FILM,MPEF;100nF,20%,275V,TP,17.5x7x13.	△	C1P106	2401-003107	C-AL;47uF,20%,16V,GP,TP,5x7,5	
C1SS12	2201-000129	C-CERAMIC,DISC;0.1nF,10%,1KV,Y5P,TP,7x4,		C1P107	2401-003107	C-AL;47uF,20%,16V,GP,TP,5x7,5	
C1SS31	2401-000385	C-AL;10uF,20%,100V,GP,TP,6.3x11,5		C1P108	2401-002095	C-AL;47uF,20%,25V,GP,TP,6.3x5,5	
C1SS32	2401-003046	C-AL;47uF,20%,50V,WT,TP,6.3x11,2,5	SVR-537 NOT USED	C1P110	2401-000598	C-AL;1uF,20%,50V,GP,TP,4x7,5	SVR-537 NOT USED
C1SS33	2401-003477	C-AL;330uF,20%,25V,LZ,TP,10X12.5MM,		C1P115	2401-000598	C-AL;1uF,20%,50V,GP,TP,4x7,5	
C1SS34	2401-003478	C-AL;100uF,20%,25V,LZ,TP,8X11.5MM,5		C1P116	2401-000598	C-AL;1uF,20%,50V,GP,TP,4x7,5	
C1SS35	2401-003480	C-AL;1000uF,20%,10V,LZ,TP,10X16MM,5		D1P101	0401-000101	DIODE-SWITCHING;1N4148,100V,200mA,DO-35,	
C1SS36	2401-001479	C-AL;470uF,20%,10V,GP,TP,-,-		D1P103	0402-000127	DIODE-RECTIFIER;1N4002,100V,1A,DO-41,TP	
C1SS37	2401-003046	C-AL;47uF,20%,50V,WT,TP,6.3x11,2,5	SVR-639 ONLY	D1P105	0402-000127	DIODE-RECTIFIER;1N4002,100V,1A,DO-41,TP	SVR-537 NOT USED
C1SS38	2401-001479	C-AL;470uF,20%,10V,GP,TP,-,-	SVR-639 ONLY	D1P108	0402-000127	DIODE-RECTIFIER;1N4002,100V,1A,DO-41,TP	
C1SS39	2301-000129	C-FILM,PEF;100nF,5%,50V,TP,10X9X4.3X5,5m		D1P109	0401-000101	DIODE-SWITCHING;1N4148,100V,200mA,DO-35,	
C1SS40	2301-000381	C-FILM,PEF;10nF,5%,50V,TP,6.5x5.5x3mm,5m	SVR-639 ONLY	D1P113	0402-000127	DIODE-RECTIFIER;1N4002,100V,1A,DO-41,TP	
CN1SS1	3711-000178	CONNECTOR-HEADER;1WALL,2P,1R,3.96mm,STRA		D1P117	0401-000101	DIODE-SWITCHING;1N4148,100V,200mA,DO-35,	
D1SD11	0402-001195	DIODE-RECTIFIER;F1T4,400V,1.0A,TS-1,TP		D1P120	0402-000127	DIODE-RECTIFIER;1N4002,100V,1A,DO-41,TP	
D1SD31	0402-001195	DIODE-RECTIFIER;F1T4,400V,1.0A,TS-1,TP		D1P125	0401-000101	DIODE-SWITCHING;1N4148,100V,200mA,DO-35,	
D1SD32	0402-001195	DIODE-RECTIFIER;F1T4,400V,1.0A,TS-1,TP	SVR-639 ONLY	Q1P101	0501-000616	TR-SMALL SIGNAL;KSC2328A-Y,NPN,1W,TO-92L	
D1SF05	0402-001196	DIODE-RECTIFIER;1T5,600V,1A,TS-1,TP		Q1P102	0501-000616	TR-SMALL SIGNAL;KSC2328A-Y,NPN,1W,TO-92L	
D1SF12	0402-001195	DIODE-RECTIFIER;F1T4,400V,1.0A,TS-1,TP		Q1P103	0501-000616	TR-SMALL SIGNAL;KSC2328A-Y,NPN,1W,TO-92L	
D1SS01	0402-001196	DIODE-RECTIFIER;1T5,600V,1A,TS-1,TP		Q1P104	0501-000610	TR-SMALL SIGNAL;KSA928A-Y,NPN,1W,TO-92L,	SVR-537 NOT USED
D1SS02	0402-001196	DIODE-RECTIFIER;1T5,600V,1A,TS-1,TP		Q1P105	0504-000116	TR-DIGITAL;KSR1001,NPN,300MW,4.7K/4.7K,T	SVR-537 NOT USED
D1SS03	0402-001196	DIODE-RECTIFIER;1T5,600V,1A,TS-1,TP		Q1P114	0501-000616	TR-SMALL SIGNAL;KSC2328A-Y,NPN,1W,TO-92L	
D1SS04	0402-001196	DIODE-RECTIFIER;1T5,600V,1A,TS-1,TP		Q1P115	0504-000142	TR-DIGITAL;KSR2001,PNP,300MW,4.7K/4.7K,T	
D1SS11	0402-000276	DIODE-RECTIFIER;UF4007,1KV,1A,DO-41,TP		Q1P116	0501-000398	TR-SMALL SIGNAL;KSC945,NPN,250mW,TO-92,T	
D1SS31	0402-001195	DIODE-RECTIFIER;F1T4,400V,1.0A,TS-1,TP	SVR-537 NOT USED	Q1P117	0501-000442	TR-SMALL SIGNAL;KTC3203-Y,NPN,400MW,TO-9	
D1SS32	0402-001194	DIODE-RECTIFIER;UG2D,200V,2A,DO-204AC,TP		R1P103	2001-000034	R-CARBON;220OHM,5%,1/4W,AA,TP,2.4X6.4MM	
D1SS33	0404-000128	DIODE-SCHOTTKY;FMB-G14L,45V,5A,TO-220F,T		R1P105	2001-000273	R-CARBON;100KOHM,5%,1/8W,AA,TP,1.8X3.2M	SVR-537 NOT USED
D1SS44	0402-001195	DIODE-RECTIFIER;F1T4,400V,1.0A,TS-1,TP	SVR-639 ONLY	R1P106	2001-000611	R-CARBON;3.9KOHM,5%,1/4W,AA,TP,2.4X6.4MM	SVR-537 NOT USED
F1SS01	3601-001208	FUSE-CARTRIDGE;250V,1.6A,TIME-LAG,GLASS	△	R1P107	2001-000449	R-CARBON;2.2KOHM,5%,1/8W,AA,TP,1.8X3.2M	SVR-537 NOT USED
IC1SF1	1203-001802	IC-PWM CONTROLLER;STR-G6551,TO-220F,5P,-		R1P108	2001-000449	R-CARBON;2.2KOHM,5%,1/8W,AA,TP,1.8X3.2M	
IC1SS1	0604-001028	PHOTO-COUPLER;TR,50-600%,250mW,DIP-4,ST	△	R1P109	2001-000038	R-CARBON;390OHM,5%,1/4W,AA,TP,2.4X6.4MM	
IC1SS2	AC14-12006D	IC;KA431Z,TO-92,TAPING		R1P110	2001-000038	R-CARBON;390OHM,5%,1/4W,AA,TP,2.4X6.4MM	
L1SS02	AC29-30050C	FILTER-LINE NOISE;-25MH,0.35A,AC250V,BS	△	R1P111	2001-000110	R-CARBON;100OHM,5%,1/4W,AA,TP,2.4X6.4MM	
L1SS31	AC27-12001N	COIL-CHOKE;10UH-15%,RA,K-30,Q80,150KHZ,-		R1P112	2001-000554	R-CARBON;270OHM,5%,1/8W,AA,TP,1.8X3.2MM	
L1SS32	AC27-12001N	COIL-CHOKE;10UH-15%,RA,K-30,Q80,150KHZ,-		R1P117	2001-000362	R-CARBON;150OHM,5%,1/8W,AA,TP,1.8X3.2MM	
PT1SS1	AC26-00004B	TRANS SWITCHING;-,-,-,DEMKO,-0.65mH,-	△	R1P127	2001-000734	R-CARBON;4.7KOHM,5%,1/8W,AA,TP,1.8X3.2M	
R1SD12	2001-000325	R-CARBON;120OHM,5%,1/8W,AA,TP,1.8X3.2MM		R1P128	2001-000290	R-CARBON;10KOHM,5%,1/8W,AA,TP,1.8X3.2MM	
R1SD13	2001-000076	R-CARBON;47KOHM,5%,1/4W,AA,TP,2.4X6.4MM		R1P131	2001-000044	R-CARBON;1.2KOHM,5%,1/4W,AA,TP,2.4X6.4M	
R1SD14	2001-000076	R-CARBON;47KOHM,5%,1/4W,AA,TP,2.4X6.4MM		ZD1P01	0403-001211	DIODE-ZENER;MTZJ12B,11.44-12.03V,500MW,D	
R1SD15	2001-000076	R-CARBON;47KOHM,5%,1/4W,AA,TP,2.4X6.4MM		ZD1P02	0403-000717	DIODE-ZENER;MTZJ5.1B,5.1V,4.94-5.2V,500m	
R1SD16	2003-000994	R-METAL OXIDE(S);33Kohm,5%,2W,AF,TP,3.9x		ZD1P03	0403-000720	DIODE-ZENER;MTZJ9.1B,9.1V,8.57-9.01V,500	
R1SD31	2001-000780	R-CARBON;470OHM,5%,1/8W,AA,TP,1.8X3.2MM					
R1SD32	2001-000429	R-CARBON;1KOHM,5%,1/8W,AA,TP,1.8X3.2MM					
R1SF11	2001-000076	R-CARBON;47KOHM,5%,1/4W,AA,TP,2.4X6.4MM					
R1SF15	2001-000591	R-CARBON;3.3KOHM,5%,1/8W,AA,TP,1.8X3.2M					
R1SF19	2001-000429	R-CARBON;1KOHM,5%,1/8W,AA,TP,1.8X3.2MM					
R1SF20	2003-000105	R-METAL OXIDE;0.33ohm,5%,2W,AD,TP,6x16mm					

Electrical Parts List

Loc.No	Part No	Description ; Specification	Remark	Loc.No	Part No	Description ; Specification	Remark
SYSTEM CONTROL/SERVO PARTS				R608	2001-000864	R-CARBON:56KOHM,5%,1/8W,AA,TP,1.8X3.2MM	
C601	2202-002037	C-CERAMIC,MLC-AXIAL:100nF,80-20%,50V,Y5V		R609	2001-000864	R-CARBON:56KOHM,5%,1/8W,AA,TP,1.8X3.2MM	
C602	2202-002037	C-CERAMIC,MLC-AXIAL:100nF,80-20%,50V,Y5V		R613	2001-000429	R-CARBON:1KOHM,5%,1/8W,AA,TP,1.8X3.2MM	SVR-537 NOT USED
C603	2401-002095	C-AL:47uF,20%,25V,GP,TP,6.3x5.5		R641	2001-000780	R-CARBON:470OHM,5%,1/8W,AA,TP,1.8X3.2MM	
C604	2202-000797	C-CERAMIC,MLC-AXIAL:10NF,30%,16V,Y5S,TP,		R642	2001-000780	R-CARBON:470OHM,5%,1/8W,AA,TP,1.8X3.2MM	
C605	2202-000797	C-CERAMIC,MLC-AXIAL:10NF,30%,16V,Y5S,TP,		R644	2001-000429	R-CARBON:1KOHM,5%,1/8W,AA,TP,1.8X3.2MM	
C607	2401-001775	C-AL:470nF,20%,50V,GP,TP,4x7.5		R650	2003-000259	R-METAL OXIDE:3.90HM,5%,2W,AE,TP,6X16MM	
C608	2401-002259	C-AL:0.1F,+80-20%,5.5V,-,TP,12.5x11	SVR-537 NOT USED	R651	2001-000010	R-CARBON:68KOHM,5%,1/8W,AA,TP,1.8X3.2MM	
C610	2202-000797	C-CERAMIC,MLC-AXIAL:10NF,30%,16V,Y5S,TP,		R652	2001-000568	R-CARBON:270HM,5%,1/8W,AA,TP,1.8X3.2MM	SVR-537 NOT USED
C611	2301-000392	C-FILM,PEF:15nF,5%,50V,TP,6.5x8.5x3.2mm,		R654	2001-000812	R-CARBON:5.6KOHM,5%,1/8W,AA,TP,1.8X3.2M	
C612	2401-000118	C-AL:1000uF,20%,10V,GP,TP,10x12.5.5		R655	2001-000786	R-CARBON:47KOHM,5%,1/8W,AA,TP,1.8X3.2MM	
C614	2202-002037	C-CERAMIC,MLC-AXIAL:100nF,80-20%,50V,Y5V		R656	2001-000241	R-CARBON:1.5KOHM,5%,1/8W,AA,TP,1.8X3.2M	
C618	2401-002095	C-AL:47uF,20%,25V,GP,TP,6.3x5.5		R657	2001-000010	R-CARBON:68KOHM,5%,1/8W,AA,TP,1.8X3.2MM	SVR-537 NOT USED
C619	2202-000797	C-CERAMIC,MLC-AXIAL:10NF,30%,16V,Y5S,TP,		R660	2001-000786	R-CARBON:47KOHM,5%,1/8W,AA,TP,1.8X3.2MM	
C620	2202-000797	C-CERAMIC,MLC-AXIAL:10NF,30%,16V,Y5S,TP,		R661	2001-000660	R-CARBON:33KOHM,5%,1/8W,AA,TP,1.8X3.2MM	
C621	2401-002095	C-AL:47uF,20%,25V,GP,TP,6.3x5.5		R666	2001-000290	R-CARBON:10KOHM,5%,1/8W,AA,TP,1.8X3.2MM	
C622	2301-000471	C-FILM,PEF:68nF,5%,50V,TP,9x12x4.5mm,5mm		R667	2001-000290	R-CARBON:10KOHM,5%,1/8W,AA,TP,1.8X3.2MM	
C623	2202-000807	C-CERAMIC,MLC-AXIAL:22nF,+80-20%,25V,Y5V		R668	2001-000780	R-CARBON:470OHM,5%,1/8W,AA,TP,1.8X3.2MM	
C624	2202-000205	C-CERAMIC,MLC-AXIAL:22pF,5%,50V,SL,TP,1.		R669	2001-000780	R-CARBON:470OHM,5%,1/8W,AA,TP,1.8X3.2MM	
C625	2202-000205	C-CERAMIC,MLC-AXIAL:22pF,5%,50V,SL,TP,1.		R670	2001-000734	R-CARBON:4.7KOHM,5%,1/8W,AA,TP,1.8X3.2M	
C626	2202-000205	C-CERAMIC,MLC-AXIAL:22pF,5%,50V,SL,TP,1.	SVR-537 NOT USED	R671	2001-000734	R-CARBON:4.7KOHM,5%,1/8W,AA,TP,1.8X3.2M	
C627	2202-000205	C-CERAMIC,MLC-AXIAL:22pF,5%,50V,SL,TP,1.	SVR-537 NOT USED	R672	2001-000734	R-CARBON:4.7KOHM,5%,1/8W,AA,TP,1.8X3.2M	
C628	2202-002037	C-CERAMIC,MLC-AXIAL:100nF,80-20%,50V,Y5V		R673	2001-000429	R-CARBON:1KOHM,5%,1/8W,AA,TP,1.8X3.2MM	
C633	2202-000797	C-CERAMIC,MLC-AXIAL:10NF,30%,16V,Y5S,TP,		R674	2001-000290	R-CARBON:10KOHM,5%,1/8W,AA,TP,1.8X3.2MM	
C634	2202-000797	C-CERAMIC,MLC-AXIAL:10NF,30%,16V,Y5S,TP,		R675	2001-000032	R-CARBON:180OHM,5%,1/4W,AA,TP,2.4X6.4MM	
C635	2202-000183	C-CERAMIC,MLC-AXIAL:2.2NF,20%,16V,Y5R,TP		R676	2001-000633	R-CARBON:30KOHM,5%,1/8W,AA,TP,1.8X3.2MM	
C636	2202-000183	C-CERAMIC,MLC-AXIAL:2.2NF,20%,16V,Y5R,TP		R677	2001-000522	R-CARBON:22KOHM,5%,1/8W,AA,TP,1.8X3.2MM	
C637	2202-000263	C-CERAMIC,MLC-AXIAL:470pF,10%,50V,Y5P,TP		R678	2001-000522	R-CARBON:22KOHM,5%,1/8W,AA,TP,1.8X3.2MM	
C638	2401-000918	C-AL:22uF,20%,16V,GP,-,6.3x7.5		R679	2001-000515	R-CARBON:220OHM,5%,1/8W,AA,TP,1.8X3.2MM	
C639	2202-000121	C-CERAMIC,MLC-AXIAL:100pF,10%,50V,Y5P,TP		R682	2001-000522	R-CARBON:22KOHM,5%,1/8W,AA,TP,1.8X3.2MM	
C640	2202-002037	C-CERAMIC,MLC-AXIAL:100nF,80-20%,50V,Y5V		R685	2001-000660	R-CARBON:33KOHM,5%,1/8W,AA,TP,1.8X3.2MM	
C641	2401-002165	C-AL:100uF,20%,16V,GP,TP,6.3x7.5		R687	2001-000429	R-CARBON:1KOHM,5%,1/8W,AA,TP,1.8X3.2MM	
C642	2401-002095	C-AL:47uF,20%,25V,GP,TP,6.3x5.5		R690	2001-000864	R-CARBON:56KOHM,5%,1/8W,AA,TP,1.8X3.2MM	
C643	2401-002095	C-AL:47uF,20%,25V,GP,TP,6.3x5.5		R691	2001-000515	R-CARBON:220OHM,5%,1/8W,AA,TP,1.8X3.2MM	
C645	2401-002144	C-AL:47uF,20%,16V,GP,TP,5x11.5		R692	2001-000429	R-CARBON:1KOHM,5%,1/8W,AA,TP,1.8X3.2MM	
C646	2202-002037	C-CERAMIC,MLC-AXIAL:100nF,80-20%,50V,Y5V		R693	2001-000429	R-CARBON:1KOHM,5%,1/8W,AA,TP,1.8X3.2MM	
C691	2202-000797	C-CERAMIC,MLC-AXIAL:10NF,30%,16V,Y5S,TP,		R694	2001-000429	R-CARBON:1KOHM,5%,1/8W,AA,TP,1.8X3.2MM	
C692	2301-000471	C-FILM,PEF:68nF,5%,50V,TP,9x12x4.5mm,5mm		R699	2001-000273	R-CARBON:100KOHM,5%,1/8W,AA,TP,1.8X3.2M	
CN601	AC39-20817S	LEAD CONNECTOR-ASSY:DP:SMH200-02,YBH200-		S601	0603-001011	PHOTO-TR:NPN,35V,6V,50mA,75mW,BK	
CN602	3708-001163	CONNECTOR-FPC/FC/PC:5P,1.25mm,STRAIGHT,		S602	0603-001011	PHOTO-TR:NPN,35V,6V,50mA,75mW,BK	
CN604	3711-003749	CONNECTOR-HEADER:BOX,8P,2R,2mm,STRAIGHT,		SW601	AC34-20100A	SWITCH-MODE:-,X-9,-	
D603	0401-000101	DIODE-SWITCHING:1N4148,100V,200mA,DO-35,		SW602	AC34-20100B	SWITCH-REC:-,X-9,-	
D604	0401-000101	DIODE-SWITCHING:1N4148,100V,200mA,DO-35,		W072	2001-000281	R-CARBON:100OHM,5%,1/8W,AA,TP,1.8X3.2MM	
D605	0402-000127	DIODE-RECTIFIER:1N4002,100V,1A,DO-41,TP		W167	0401-000101	DIODE-SWITCHING:1N4148,100V,200mA,DO-35,	
D611	0402-000127	DIODE-RECTIFIER:1N4002,100V,1A,DO-41,TP		W229	2001-000591	R-CARBON:3.3KOHM,5%,1/8W,AA,TP,1.8X3.2M	
D613	0401-000101	DIODE-SWITCHING:1N4148,100V,200mA,DO-35,		W421	2001-000027	R-CARBON:100OHM,5%,1/4W,AA,TP,2.4X6.4MM	SVR-639/633 ONLY
D620	0402-000127	DIODE-RECTIFIER:1N4002,100V,1A,DO-41,TP		W532	0401-000101	DIODE-SWITCHING:1N4148,100V,200mA,DO-35,	
D6B01	0401-000101	DIODE-SWITCHING:1N4148,100V,200mA,DO-35,	SVR-633/537 ONLY	XT601	2801-003318	CRYSTAL-UNIT:32.768KHz,20ppm,28-AAP,12.5	SVR-537 NOT USED
IC601	AC09-00091A	IC MCU:784928GF-A05-3BA,N120-A05-3BA,	SVR-639	XT602	2801-003139	CRYSTAL-UNIT:8MHz,50ppm,28-AAA,22pF,80oh	
IC601	AC09-00089A	IC-MICOM:uPD784927GF-159-3BA,784927GF-1	SVR-633/630				
IC601	AC09-00102A	IC-MICOM:uPD784927GF-153-3BA,784927GF-1	SVR-537				
IC602	1003-001162	IC-MOTOR DRIVER:KA3082,SIP,10PIN,25MIL,D					
IC604	AC14-12006C	IC:KA7533,DIP,-					
IC605	1103-001150	IC-EEPROM:24C081,8KBIT,DIP,8P,300MIL,10M	SVR-639				
IC605	1103-001148	IC-EEPROM:24C021,2KBIT,DIP,8P,300MIL,10M	SVR-633/630/537				
IC608	1203-000515	IC-VOL. DETECTOR:7042,TO-92,3P,177MIL,PL	SVR-537 NOT USED				
L601	2701-000002	INDUCTOR-AXIAL:100uH,10%,4.2x9.8mm					
L603	2701-000002	INDUCTOR-AXIAL:100uH,10%,4.2x9.8mm					
L604	2701-000002	INDUCTOR-AXIAL:100uH,10%,4.2x9.8mm					
L605	2701-000002	INDUCTOR-AXIAL:100uH,10%,4.2x9.8mm					
LD601	0601-000517	LED-IR:RECTANGULA,4x6.0mm,75mW,6V,950					
PT601	0604-001122	PHOTO-INTERRUPTER:TR,0.065%,150mW,DIP-4,					
PT602	0604-001122	PHOTO-INTERRUPTER:TR,0.065%,150mW,DIP-4,					
O602	0501-000339	TR-SMALL SIGNAL:KSC945,NPN,250mW,TO-92,T					
R604	2001-000429	R-CARBON:1KOHM,5%,1/8W,AA,TP,1.8X3.2MM					
R605	2001-000429	R-CARBON:1KOHM,5%,1/8W,AA,TP,1.8X3.2MM					

Loc.No	Part No	Description ; Specification	Remark	Loc.No	Part No	Description ; Specification	Remark
C316	2202-002037	C-CERAMIC,MLC-AXIAL:100nF,80-20%,50V,Y5V		CN3A01	3708-001302	CONNECTOR-FPC/PC/FC:7P,1.25mm,STRAIGHT,	
C318	2202-002037	C-CERAMIC,MLC-AXIAL:100nF,80-20%,50V,Y5V		CN3A02	3711-002445	CONNECTOR-HEADER:BOX,2P,2R,1.5MM,STRAIGHT	
C320	2401-000598	C-AL:1uF,20%,50V,GP,TP,4x7,5		D302	0401-000101	DIODE-SWITCHING:1N4148,100V,200mA,DO-35,	
C321	2401-000414	C-AL:10uF,20%,16V,GP,TP,4x7,5		FL3A01	AC27-80100A	COIL-OSC:126QN-K527YHC-K,-,AM	
C322	2401-000598	C-AL:1uF,20%,50V,GP,TP,4x7,5		FL3D01	AC27-82001C	COIL-BIAS OSC:B02,W(TOKO)VX1850,-	SVR-639/633 ONLY
C323	2202-000797	C-CERAMIC,MLC-AXIAL:10NF,30%,16V,Y5S,TP,		IC301	1204-001648	IC-VIDEO PROCESS:LA71578M,QFP,100P,-,PLA	SVR-639/537
C324	2202-000797	C-CERAMIC,MLC-AXIAL:10NF,30%,16V,Y5S,TP,		IC301	1204-001649	IC-VIDEO PROCESS:LA71598M,QFP,100P,-,PLA	SVR-633/630
C325	2202-000797	C-CERAMIC,MLC-AXIAL:10NF,30%,16V,Y5S,TP,		L301	2701-000206	INDUCTOR-AXIAL:56uH,5%,2.4x3.4mm	
C326	2202-002037	C-CERAMIC,MLC-AXIAL:100nF,80-20%,50V,Y5V		L302	2702-000106	INDUCTOR-RADIAL:100uH,10%,6.2x7.4mm	
C327	2401-003107	C-AL:47uF,20%,16V,GP,TP,5x7,5		L304	2702-000106	INDUCTOR-RADIAL:100uH,10%,6.2x7.4mm	
C328	2202-000797	C-CERAMIC,MLC-AXIAL:10NF,30%,16V,Y5S,TP,		L305	2702-000106	INDUCTOR-RADIAL:100uH,10%,6.2x7.4mm	
C329	2202-000797	C-CERAMIC,MLC-AXIAL:10NF,30%,16V,Y5S,TP,		L306	2701-000119	INDUCTOR-AXIAL:120uH,5%,2.4x3.4mm	
C330	2202-000797	C-CERAMIC,MLC-AXIAL:10NF,30%,16V,Y5S,TP,		L310	2702-000106	INDUCTOR-RADIAL:100uH,10%,6.2x7.4mm	
C331	2401-003107	C-AL:47uF,20%,16V,GP,TP,5x7,5		L3A01	2702-000120	INDUCTOR-RADIAL:15mH,5%,6.2x7.4mm	
C332	2202-002037	C-CERAMIC,MLC-AXIAL:100nF,80-20%,50V,Y5V		L3A02	2701-000002	INDUCTOR-AXIAL:100uH,10%,4.2x9.8mm	
C333	2401-000598	C-AL:1uF,20%,50V,GP,TP,4x7,5		L3A03	2702-000106	INDUCTOR-RADIAL:100uH,10%,6.2x7.4mm	
C334	2202-002055	C-CERAMIC,MLC-AXIAL:47nF,+80-20%,50V,Y5V		L3D01	2701-000002	INDUCTOR-AXIAL:100uH,10%,4.2x9.8mm	SVR-639/633 ONLY
C335	2401-000598	C-AL:1uF,20%,50V,GP,TP,4x7,5		Q302	0501-000303	TR-SMALL SIGNAL:KSA733,PNP,250mW,TO-92,T	
C336	2401-000598	C-AL:1uF,20%,50V,GP,TP,4x7,5		Q303	0501-000398	TR-SMALL SIGNAL:KSC945,NPN,250mW,TO-92,T	
C337	2202-000807	C-CERAMIC,MLC-AXIAL:22nF,+80-20%,25V,Y5V		Q304	0501-000398	TR-SMALL SIGNAL:KSC945,NPN,250mW,TO-92,T	
C338	2202-000797	C-CERAMIC,MLC-AXIAL:10NF,30%,16V,Y5S,TP,		Q308	0501-000398	TR-SMALL SIGNAL:KSC945,NPN,250mW,TO-92,T	
C339	2202-002055	C-CERAMIC,MLC-AXIAL:47nF,+80-20%,50V,Y5V		Q309	0501-000398	TR-SMALL SIGNAL:KSC945,NPN,250mW,TO-92,T	
C340	2202-000807	C-CERAMIC,MLC-AXIAL:22nF,+80-20%,25V,Y5V		Q3A01	0501-000303	TR-SMALL SIGNAL:KSA733,PNP,250mW,TO-92,T	
C341	2401-003107	C-AL:47uF,20%,16V,GP,TP,5x7,5		Q3A02	0504-000119	TR-DIGITAL:KSR1004,NPN,300MW,47K/47K,TO-	SVR-639/537 ONLY
C342	2202-002037	C-CERAMIC,MLC-AXIAL:100nF,80-20%,50V,Y5V		Q3A03	0501-000442	TR-SMALL SIGNAL:KTC3203-Y,NPN,400MW,TO-9	
C343	2401-000598	C-AL:1uF,20%,50V,GP,TP,4x7,5		Q3A04	0501-000442	TR-SMALL SIGNAL:KTC3203-Y,NPN,400MW,TO-9	
C345	2201-002031	C-CERAMIC,DISC:0.005nF,0.5pF,50V,NPO,TP,		Q3A05	0501-000442	TR-SMALL SIGNAL:KTC3203-Y,NPN,400MW,TO-9	
C346	2401-003107	C-AL:47uF,20%,16V,GP,TP,5x7,5		Q3A06	0501-000303	TR-SMALL SIGNAL:KSA733,PNP,250mW,TO-92,T	
C347	2202-000286	C-CERAMIC,MLC-AXIAL:56pF,5%,50V,SL,TP,1.		Q3D01	0501-000442	TR-SMALL SIGNAL:KTC3203-Y,NPN,400MW,TO-9	SVR-639/633 ONLY
C348	2202-000286	C-CERAMIC,MLC-AXIAL:56pF,5%,50V,SL,TP,1.		Q3D02	0504-000142	TR-DIGITAL:KSR2001,PNP,300MW,4.7K/4.7K,TO-	SVR-639/633 ONLY
C349	2202-000849	C-CERAMIC,MLC-AXIAL:18pF,5%,50V,CH,TP,3.		Q3D03	0504-000119	TR-DIGITAL:KSR1004,NPN,300MW,47K/47K,TO-	SVR-639/633 ONLY
C350	2202-000797	C-CERAMIC,MLC-AXIAL:10NF,30%,16V,Y5S,TP,		R301	2001-000449	R-CARBON:2.2KOHM,5%,1/8W,AA,TP,1.8X3.2MM	
C360	2401-000414	C-AL:10uF,20%,16V,GP,TP,4x7,5	SVR-639/633 ONLY	R302	2001-000429	R-CARBON:1KOHM,5%,1/8W,AA,TP,1.8X3.2MM	
C380	2202-000243	C-CERAMIC,MLC-AXIAL:33pF,5%,50V,SL,TP,3.		R303	2001-000258	R-CARBON:1.8KOHM,5%,1/8W,AA,TP,1.8X3.2MM	
C381	2202-000797	C-CERAMIC,MLC-AXIAL:10NF,30%,16V,Y5S,TP,		R304	2001-000977	R-CARBON:8.2KOHM,5%,1/8W,AA,TP,1.8X3.2MM	
C390	2202-002037	C-CERAMIC,MLC-AXIAL:100nF,80-20%,50V,Y5V		R305	2001-000258	R-CARBON:1.8KOHM,5%,1/8W,AA,TP,1.8X3.2MM	SVR-633/630 ONLY
C399	2202-002037	C-CERAMIC,MLC-AXIAL:100nF,80-20%,50V,Y5V		R306	2001-000232	R-CARBON:1.3KOHM,5%,1/8W,AA,TP,1.8X3.2MM	
C3A01	2401-003122	C-AL:4.7uF,20%,50V,LL,TP,4X7,1.5		R308	2001-000429	R-CARBON:1KOHM,5%,1/8W,AA,TP,1.8X3.2MM	
C3A02	2202-002037	C-CERAMIC,MLC-AXIAL:100nF,80-20%,50V,Y5V		R309	2001-000723	R-CARBON:4.3KOHM,5%,1/8W,AA,TP,1.8X3.2MM	
C3A04	2202-002037	C-CERAMIC,MLC-AXIAL:100nF,80-20%,50V,Y5V		R311	2001-000429	R-CARBON:1KOHM,5%,1/8W,AA,TP,1.8X3.2MM	
C3A06	2301-000392	C-FILM,PEF:15nF,5%,50V,TP,6.5x8.5x3.2mm,	SVR-639/537 ONLY	R312	2001-000241	R-CARBON:1.5KOHM,5%,1/8W,AA,TP,1.8X3.2MM	
C3A07	2301-000392	C-FILM,PEF:15nF,5%,50V,TP,6.5x8.5x3.2mm,		R313	2001-000515	R-CARBON:220OHM,5%,1/8W,AA,TP,1.8X3.2MM	
C3A08	2301-001014	C-FILM,PEF:6.8nF,5%,50V,TP,7x3x6.5mm		R314	2001-000924	R-CARBON:680OHM,5%,1/8W,AA,TP,1.8X3.2MM	
C3A09	2301-001014	C-FILM,PEF:6.8nF,5%,50V,TP,7x3x6.5mm		R315	2001-000472	R-CARBON:2.7KOHM,5%,1/8W,AA,TP,1.8X3.2MM	
C3A10	2301-000314	C-FILM,PEF:8.2nF,5%,50V,TP,6.5x3.0x5.5mm		R316	2001-000221	R-CARBON:1.2KOHM,5%,1/8W,AA,TP,1.8X3.2MM	
C3A11	2301-000392	C-FILM,PEF:15nF,5%,50V,TP,6.5x8.5x3.2mm,	SVR-639/633	R317	2001-000003	R-CARBON:330ohm,5%,1/8W,AA,TP,1.8X3.2mm	
C3A11	2301-000253	C-FILM,PEF:39nF,5%,100V,TP,7.5X4.5X12.5M	SVR-630/537	R318	2001-000003	R-CARBON:330ohm,5%,1/8W,AA,TP,1.8X3.2mm	
C3A12	2401-003107	C-AL:47uF,20%,16V,GP,TP,5x7,5		R320	2001-000290	R-CARBON:10KOHM,5%,1/8W,AA,TP,1.8X3.2MM	
C3A13	2301-000161	C-FILM,PEF:12nF,5%,50V,TP,6.5X5.5X3.0X5,		R321	2001-000009	R-CARBON:20KOHM,5%,1/8W,AA,TP,1.8X3.2MM	
C3A14	2301-001014	C-FILM,PEF:6.8nF,5%,50V,TP,7x3x6.5mm		R322	2001-000539	R-CARBON:24KOHM,5%,1/8W,AA,TP,1.8X3.2MM	
C3A15	2301-000381	C-FILM,PEF:10nF,5%,50V,TP,6.5x5.5x3mm,5m		R325	2001-000472	R-CARBON:2.7KOHM,5%,1/8W,AA,TP,1.8X3.2MM	
C3A16	2401-002299	C-AL:4.7uF,20%,50V,GP,TP,5x7,5		R326	2001-000832	R-CARBON:510OHM,5%,1/8W,AA,TP,1.8X3.2MM	
C3A17	2401-000918	C-AL:22uF,20%,16V,GP,-,6.3x7,5		R327	2001-000832	R-CARBON:510OHM,5%,1/8W,AA,TP,1.8X3.2MM	
C3A18	2301-000402	C-FILM,PEF:1nF,5%,50V,TP,5x7x2.8mm,5mm		R328	2001-000734	R-CARBON:4.7KOHM,5%,1/8W,AA,TP,1.8X3.2MM	
C3A21	2301-000008	C-FILM,PEF:2.2nF,5%,50V,TP,5.5X7X3,5mm		R329	2001-000472	R-CARBON:2.7KOHM,5%,1/8W,AA,TP,1.8X3.2MM	
C3A23	2401-002068	C-AL:33uF,20%,16V,GP,TP,5x11,5		R330	2001-000734	R-CARBON:4.7KOHM,5%,1/8W,AA,TP,1.8X3.2MM	
C3A24	2202-002037	C-CERAMIC,MLC-AXIAL:100nF,80-20%,50V,Y5V		R331	2001-000515	R-CARBON:220OHM,5%,1/8W,AA,TP,1.8X3.2MM	
C3A25	2401-000918	C-AL:22uF,20%,16V,GP,-,6.3x7,5		R332	2001-000281	R-CARBON:100OHM,5%,1/8W,AA,TP,1.8X3.2MM	
C3A29	2202-002037	C-CERAMIC,MLC-AXIAL:100nF,80-20%,50V,Y5V		R333	2001-000281	R-CARBON:100OHM,5%,1/8W,AA,TP,1.8X3.2MM	
C3A30	2401-002144	C-AL:47uF,20%,16V,GP,TP,5x11,5		R334	2001-000281	R-CARBON:100OHM,5%,1/8W,AA,TP,1.8X3.2MM	
C3D01	2301-000283	C-FILM,PEF:47nF,5%,100V,TP,7.3X7X3.2X5,5	SVR-639/633 ONLY	R335	2001-000800	R-CARBON:5.1KOHM,5%,1/8W,AA,TP,1.8X3.2MM	
C3D02	2401-002144	C-AL:47uF,20%,16V,GP,TP,5x11,5	SVR-639/633 ONLY	R336	2001-000008	R-CARBON:15KOHM,5%,1/8W,AA,TP,1.8X3.2MM	
C3D03	2202-000797	C-CERAMIC,MLC-AXIAL:10NF,30%,16V,Y5S,TP,	SVR-639/633 ONLY	R339	2001-000258	R-CARBON:1.8KOHM,5%,1/8W,AA,TP,1.8X3.2MM	SVR-639/537 ONLY
C3D04	2301-000445	C-FILM,PEF:4.7nF,5%,50V,TP,5.5x7x3mm,5mm	SVR-639/633 ONLY	R341	2001-001000	R-CARBON:82KOHM,5%,1/8W,AA,TP,1.8X3.2MM	
C3D05	2301-000381	C-FILM,PEF:10nF,5%,50V,TP,6.5x5.5x3mm,5m	SVR-639/633 ONLY	R342	2001-000812	R-CARBON:5.6KOHM,5%,1/8W,AA,TP,1.8X3.2MM	
CN301	3708-000391	CONNECTOR-FPC/PC/PC:1P,1.25MM,STRAIGHT		R344	2001-000969	R-CARBON:75OHM,5%,1/8W,AA,TP,1.8X3.2MM	SVR-639/633 ONLY

Electrical Parts List

Loc.No	Part No	Description ; Specification	Remark	Loc.No	Part No	Description ; Specification	Remark
R3A01	2001-000331	R-CARBON:12KOHM,5%,1/8W,AA,TP,1.8X3.2MM		C513	2202-000797	C-CERAMIC,MLC-AXIAL:10NF,30%,16V,Y5S,TP,	
R3A04	2001-000241	R-CARBON:1.5KOHM,5%,1/8W,AA,TP,1.8X3.2M		C514	2401-000598	C-AL:1uF,20%,50V,GP,TP,4x7,5	
R3A05	2001-000660	R-CARBON:33KOHM,5%,1/8W,AA,TP,1.8X3.2MM		C515	2401-000598	C-AL:1uF,20%,50V,GP,TP,4x7,5	
R3A06	2001-000325	R-CARBON:120OHM,5%,1/8W,AA,TP,1.8X3.2MM		C516	2301-000423	C-FILM,PEF:3.3NF,5%,100V,TP,7X10X4.5MM,5	
R3A07	2001-000645	R-CARBON:330KOHM,5%,1/8W,AA,TP,1.8X3.2M		C517	2301-000445	C-FILM,PEF:4.7nF,5%,50V,TP,5.5x7x3mm,5mm	
R3A08	2001-000331	R-CARBON:12KOHM,5%,1/8W,AA,TP,1.8X3.2MM		C518	2401-000918	C-AL:22uF,20%,16V,GP,-6.3x7,5	
R3A09	2001-000812	R-CARBON:5.6KOHM,5%,1/8W,AA,TP,1.8X3.2M		C519	2301-000381	C-FILM,PEF:10nF,5%,50V,TP,6.5x5.5x3mm,5m	
R3A10	2001-000429	R-CARBON:1KOHM,5%,1/8W,AA,TP,1.8X3.2MM		C520	2401-002299	C-AL:4.7uF,20%,50V,GP,TP,5x7,5	
R3A11	2001-000258	R-CARBON:1.8KOHM,5%,1/8W,AA,TP,1.8X3.2M		C521	2401-000918	C-AL:22uF,20%,16V,GP,-6.3x7,5	
R3A12	2001-000458	R-CARBON:2.2OHM,5%,1/8W,AA,TP,1.8X3.2MM		C522	2401-000598	C-AL:1uF,20%,50V,GP,TP,4x7,5	
R3A13	2001-000780	R-CARBON:470OHM,5%,1/8W,AA,TP,1.8X3.2MM		C523	2202-002037	C-CERAMIC,MLC-AXIAL:100nF,80-20%,50V,Y5V	
R3A14	2001-000522	R-CARBON:22KOHM,5%,1/8W,AA,TP,1.8X3.2MM		C524	2401-002299	C-AL:4.7uF,20%,50V,GP,TP,5x7,5	
R3A16	2001-000290	R-CARBON:10KOHM,5%,1/8W,AA,TP,1.8X3.2MM		C525	2401-002299	C-AL:4.7uF,20%,50V,GP,TP,5x7,5	
R3A17	2001-000613	R-CARBON:3.9KOHM,5%,1/8W,AA,TP,1.8X3.2M		C526	2401-002165	C-AL:100uF,20%,16V,GP,TP,6.3x7,5	
R3A18	2001-000613	R-CARBON:3.9KOHM,5%,1/8W,AA,TP,1.8X3.2M		C527	2202-002037	C-CERAMIC,MLC-AXIAL:100nF,80-20%,50V,Y5V	
R3A19	2001-000405	R-CARBON:180OHM,5%,1/8W,AA,TP,1.8X3.2MM		C529	2401-002299	C-AL:4.7uF,20%,50V,GP,TP,5x7,5	
R3A20	2001-000904	R-CARBON:620OHM,5%,1/8W,AA,TP,1.8X3.2MM	SVR-639/537 ONLY	C530	2401-000598	C-AL:1uF,20%,50V,GP,TP,4x7,5	
R3A21	2001-000904	R-CARBON:620OHM,5%,1/8W,AA,TP,1.8X3.2MM		IC501	1204-001479	IC-AUDIO PROCESSOR:LA72634AM,QFP,64P,400	
R3A22	2001-000006	R-CARBON:2.4KOHM,5%,1/8W,AA,TP,1.8X3.2M		L502	2702-000106	INDUCTOR-RADIAL:100uH,10%,6.2x7.4mm	
R3A23	2001-000800	R-CARBON:5.1KOHM,5%,1/8W,AA,TP,1.8X3.2M		L503	2702-000106	INDUCTOR-RADIAL:100uH,10%,6.2x7.4mm	
R3A24	2001-000522	R-CARBON:22KOHM,5%,1/8W,AA,TP,1.8X3.2MM		R501	2001-000766	R-CARBON:43KOHM,5%,1/8W,AA,TP,1.8X3.2MM	
R3A25	2001-000221	R-CARBON:1.2KOHM,5%,1/8W,AA,TP,1.8X3.2M		R502	2001-000947	R-CARBON:7.5KOHM,5%,1/8W,AA,TP,1.8X3.2M	
R3A26	2001-000331	R-CARBON:12KOHM,5%,1/8W,AA,TP,1.8X3.2MM		R503	2001-000780	R-CARBON:470OHM,5%,1/8W,AA,TP,1.8X3.2MM	
R3A28	2001-000472	R-CARBON:2.7KOHM,5%,1/8W,AA,TP,1.8X3.2M		R504	2001-000472	R-CARBON:2.7KOHM,5%,1/8W,AA,TP,1.8X3.2M	
R3A30	2001-000454	R-CARBON:2.2MOHM,5%,1/8W,AA,TP,1.8X3.2M		R505	2001-000766	R-CARBON:43KOHM,5%,1/8W,AA,TP,1.8X3.2MM	
R3A37	2001-000947	R-CARBON:7.5KOHM,5%,1/8W,AA,TP,1.8X3.2M		R506	2001-000947	R-CARBON:7.5KOHM,5%,1/8W,AA,TP,1.8X3.2M	
R3A40	2001-000007	R-CARBON:3KOHM,5%,1/8W,AA,TP,1.8X3.2MM		R507	2001-000766	R-CARBON:43KOHM,5%,1/8W,AA,TP,1.8X3.2MM	SVR-639/633 ONLY
R3D01	2001-000793	R-CARBON:470HM,5%,1/8W,AA,TP,1.8X3.2MM	SVR-639/633 ONLY	R508	2001-000977	R-CARBON:8.2KOHM,5%,1/8W,AA,TP,1.8X3.2M	SVR-639/633 ONLY
R3D02	2001-000522	R-CARBON:22KOHM,5%,1/8W,AA,TP,1.8X3.2MM	SVR-639/633 ONLY	R509	2001-000977	R-CARBON:8.2KOHM,5%,1/8W,AA,TP,1.8X3.2M	
R3D03	2001-000745	R-CARBON:4.7OHM,5%,1/8W,AA,TP,1.8X3.2MM	SVR-639/633 ONLY	R510	2001-000766	R-CARBON:43KOHM,5%,1/8W,AA,TP,1.8X3.2MM	
XT301	2801-001397	CRYSTAL-UNIT:4.433619MHZ,HC-49/U-S 15PPM		R511	2001-000331	R-CARBON:12KOHM,5%,1/8W,AA,TP,1.8X3.2MM	
XT302	2801-003399	CRYSTAL-UNIT:3.579545MHz,15ppm,28-AAA,S,	SVR-639/537 ONLY	R512	2001-000660	R-CARBON:33KOHM,5%,1/8W,AA,TP,1.8X3.2MM	
TM-BLOCK							
C402	2202-000807	C-CERAMIC,MLC-AXIAL:22nF,+80-20%,25V,Y5V		R514	2001-000786	R-CARBON:47KOHM,5%,1/8W,AA,TP,1.8X3.2MM	
C403	2401-002144	C-AL:47uF,20%,16V,GP,TP,5x11,5		R515	2001-000786	R-CARBON:47KOHM,5%,1/8W,AA,TP,1.8X3.2MM	
C404	2401-001085	C-AL:330nF,20%,50V,GP,-5x9,2mm		R517	2001-000977	R-CARBON:8.2KOHM,5%,1/8W,AA,TP,1.8X3.2M	
C405	2401-003046	C-AL:47uF,20%,50V,WT,TP,6.3x11,2.5		R518	2001-000766	R-CARBON:43KOHM,5%,1/8W,AA,TP,1.8X3.2MM	
C407	2401-002144	C-AL:47uF,20%,16V,GP,TP,5x11,5		R519	2001-000977	R-CARBON:8.2KOHM,5%,1/8W,AA,TP,1.8X3.2M	SVR-639/633 ONLY
C410	2202-002037	C-CERAMIC,MLC-AXIAL:100nF,80-20%,50V,Y5V		R520	2001-000766	R-CARBON:43KOHM,5%,1/8W,AA,TP,1.8X3.2MM	SVR-639/633 ONLY
D401	0402-000127	DIODE-RECTIFIER:1N4002,100V,1A,DO-41,TP		R523	2001-000508	R-CARBON:220KOHM,5%,1/8W,AA,TP,1.8X3.2M	
L401	2701-000002	INDUCTOR-AXIAL:100uH,10%,4.2x9.8mm		R524	2001-000472	R-CARBON:2.7KOHM,5%,1/8W,AA,TP,1.8X3.2M	
R401	2001-000786	R-CARBON:47KOHM,5%,1/8W,AA,TP,1.8X3.2MM		R525	2001-000577	R-CARBON:2KOHM,5%,1/8W,AA,TP,1.8X3.2MM	
R402	2001-000281	R-CARBON:100OHM,5%,1/8W,AA,TP,1.8X3.2MM		R570	2001-000281	R-CARBON:100OHM,5%,1/8W,AA,TP,1.8X3.2MM	
R403	2001-000281	R-CARBON:100OHM,5%,1/8W,AA,TP,1.8X3.2MM		R571	2001-000281	R-CARBON:100OHM,5%,1/8W,AA,TP,1.8X3.2MM	
R404	2001-000281	R-CARBON:100OHM,5%,1/8W,AA,TP,1.8X3.2MM	SVR-537 NOT USED	OSD PARTS			
R406	2001-000290	R-CARBON:10KOHM,5%,1/8W,AA,TP,1.8X3.2MM		C6P01	2202-000797	C-CERAMIC,MLC-AXIAL:10NF,30%,16V,Y5S,TP,	
R407	2001-000449	R-CARBON:2.2KOHM,5%,1/8W,AA,TP,1.8X3.2M		C6P02	2401-002144	C-AL:47uF,20%,16V,GP,TP,5x11,5	
R408	2001-000221	R-CARBON:1.2KOHM,5%,1/8W,AA,TP,1.8X3.2M		C6P03	2202-002037	C-CERAMIC,MLC-AXIAL:100nF,80-20%,50V,Y5V	
TM401	AC40-00001G	TM-BLOCK:TCMK0600PD11A,G11/K(MONO),TCMK	SVR-639/633/630	C6P04	2202-000216	C-CERAMIC,MLC-AXIAL:027NF,5%,50V,SL,TP,	
TM401	AC40-20100L	RF-MODULATOR:RMUP74055VC,VCP PAL	SVR-537	C6P05	2202-000216	C-CERAMIC,MLC-AXIAL:027NF,5%,50V,SL,TP,	
ZD401	0403-000390	DIODE-ZENER:UZP33B,33V,31.4-34.6V,1W,DO-		C6P08	2202-000286	C-CERAMIC,MLC-AXIAL:56pF,5%,50V,SL,TP,1,	
HI-FI PARTS				C6P09	2202-000145	C-CERAMIC,MLC-AXIAL:12NF,10%,50V,Y5P,TP	
C501	2401-000414	C-AL:10uF,20%,16V,GP,TP,4x7,5		C6P10	2401-000598	C-AL:1uF,20%,50V,GP,TP,4x7,5	
C502	2401-000598	C-AL:1uF,20%,50V,GP,TP,4x7,5		C6P11	2401-000598	C-AL:1uF,20%,50V,GP,TP,4x7,5	
C503	2401-000918	C-AL:22uF,20%,16V,GP,-6.3x7,5		C6P12	2401-002144	C-AL:47uF,20%,16V,GP,TP,5x11,5	
C504	2401-002299	C-AL:4.7uF,20%,50V,GP,TP,5x7,5		C6P13	2202-002037	C-CERAMIC,MLC-AXIAL:100nF,80-20%,50V,Y5V	
C505	2301-000381	C-FILM,PEF:10nF,5%,50V,TP,6.5x5.5x3mm,5m		C6P14	2202-000279	C-CERAMIC,MLC-AXIAL:47pF,5%,50V,SL,TP,3,	
C506	2401-000918	C-AL:22uF,20%,16V,GP,-6.3x7,5		IC6P01	AC09-00078A	IC-OSD:LC74759JM-9785,LC74759JM-9785,	SVR-639/633/630
C507	2401-000918	C-AL:22uF,20%,16V,GP,-6.3x7,5		IC6P01	AC09-10458R	IC-MCU:LC74783JM-9745,24P,MFP,OSD IC,-	SVR-537
C508	2301-000445	C-FILM,PEF:4.7nF,5%,50V,TP,5.5x7x3mm,5mm		L6P03	2701-000160	INDUCTOR-AXIAL:22uH,5%,2.4x3.4mm	
C509	2301-000423	C-FILM,PEF:3.3NF,5%,100V,TP,7X10X4.5MM,5		L6P04	2701-000201	INDUCTOR-AXIAL:5.6uH,5%,2.4x3.4mm	
C510	2401-002144	C-AL:47uF,20%,16V,GP,TP,5x11,5		L6P05	2701-000165	INDUCTOR-AXIAL:27uH,5%,2.4x3.4mm	
C511	2202-002037	C-CERAMIC,MLC-AXIAL:100nF,80-20%,50V,Y5V		O6P01	0501-000303	TR-SMALL SIGNAL:KSA733,PNP,250mW,TO-92,T	
C512	2202-000863	C-CERAMIC,MLC-AXIAL:560pF,10%,50V,Y5P,TP		O6P02	0501-000303	TR-SMALL SIGNAL:KSA733,PNP,250mW,TO-92,T	
				O6P03	0501-000303	TR-SMALL SIGNAL:KSA733,PNP,250mW,TO-92,T	
				R6P05	2001-000290	R-CARBON:10KOHM,5%,1/8W,AA,TP,1.8X3.2MM	SVR-537 NOT USED

Loc.No	Part No	Description ; Specification	Remark	Loc.No	Part No	Description ; Specification	Remark
R6P07	2001-000281	R-CARBON:100OHM,5%,1/8W,AA,TP,1.8X3.2MM		C832	2401-002299	C-AL:4.7uF,20%,50V/GP,TP,5x7,5	
R6P08	2001-000005	R-CARBON:390ohm,5%,1/8W,AA,TP,1.8x3.2mm		C833	2202-000231	C-CERAMIC,MLC-AXIAL:330pf,10%,50V,Y5P,TP	
R6P09	2001-000449	R-CARBON:2.2KOHM,5%,1/8W,AA,TP,1.8X3.2M		C837	2202-000173	C-CERAMIC,MLC-AXIAL:1nf,10%,50V,Y5P,TP,1	
R6P11	2001-000005	R-CARBON:390ohm,5%,1/8W,AA,TP,1.8x3.2mm		C838	2202-000173	C-CERAMIC,MLC-AXIAL:1nf,10%,50V,Y5P,TP,1	
SECAM PARTS (SVR-639 ONLY)				D805	0401-000101	DIODE-SWITCHING:1N4148,100V,200mA,DO-35,	SVR639 ONLY
C3S01	2202-000164	C-CERAMIC,MLC-AXIAL:18NF,10%,50V,Y5P,TP		JC801	3710-000482	CONNECTOR-SOCKET:21P,-,ANGLE,SN	SVR-639 ONLY
C3S02	2401-001919	C-AL:2.2uF,20%,50V,-,TP,4x7mm,5		JC802	AC37-22002E	JACK-PIN:3.5MM,DPAE9634,2P,TR,-	SVR-639 ONLY
C3S03	2301-000381	C-FILM,PEF:10nF,5%,50V,TP,6.5x5.5x3mm,5m		JC802	AC37-20001G	JACK-RCA:DPAE-6P,HIFI,PI,3	SVR-633/630/537
C3S04	2301-000381	C-FILM,PEF:10nF,5%,50V,TP,6.5x5.5x3mm,5m		L803	2701-000181	INDUCTOR-AXIAL:33uH,5%,2.4x3.4mm	
C3S05	2202-002037	C-CERAMIC,MLC-AXIAL:100nF,80-20%,50V,Y5V		L804	2701-000181	INDUCTOR-AXIAL:33uH,5%,2.4x3.4mm	
C3S06	2202-000791	C-CERAMIC,MLC-AXIAL:150pf,10%,50V,Y5P,TP		L807	2701-000181	INDUCTOR-AXIAL:33uH,5%,2.4x3.4mm	
C3S07	2401-002144	C-AL:47uF,20%,16V,GP,TP,5x11,5		L808	2701-000181	INDUCTOR-AXIAL:33uH,5%,2.4x3.4mm	
C3S08	2202-002037	C-CERAMIC,MLC-AXIAL:100nF,80-20%,50V,Y5V		L809	2701-000181	INDUCTOR-AXIAL:33uH,5%,2.4x3.4mm	
C3S09	2202-000797	C-CERAMIC,MLC-AXIAL:10NF,30%,16V,Y5S,TP,		L810	2701-000181	INDUCTOR-AXIAL:33uH,5%,2.4x3.4mm	
C3S11	2202-000797	C-CERAMIC,MLC-AXIAL:10NF,30%,16V,Y5S,TP,		L813	AC27-92001M	INDUCTOR:70UH-M RT BFS3565R2F,,-,-,-,-	
C3S13	2401-001775	C-AL:470nF,20%,50V,GP,TP,4x7,5		L814	AC27-92001M	INDUCTOR:70UH-M RT BFS3565R2F,,-,-,-,-	SVR-639 ONLY
C3S14	2202-000173	C-CERAMIC,MLC-AXIAL:1nF,10%,50V,Y5P,TP,1		Q802	0504-000119	TR-DIGITAL:KSR1004,NPN,300MW,47K/47K,TO-	SVR-639 ONLY
C3S15	2401-000414	C-AL:10uF,20%,16V,GP,TP,4x7,5		Q804	0504-000142	TR-DIGITAL:KSR2001,PNP,300MW,4.7K/4.7K,T	SVR-639 ONLY
C3S17	2202-000797	C-CERAMIC,MLC-AXIAL:10NF,30%,16V,Y5S,TP,		R803	2001-000116	R-CARBON:820OHM,5%,1/4W,AA,TP,2.4X6.4MM	SVR-639 ONLY
C3S19	2201-000376	C-CERAMIC,DISC:0.22nF,5%,50V,SL,TP,6.3x3		R805	2001-000554	R-CARBON:270OHM,5%,1/8W,AA,TP,1.8X3.2MM	
C3S20	2301-000224	C-FILM,PEF:22nF,5%,50V,TP,7.4x3.9x1.3mm,5		R806	2001-000554	R-CARBON:270OHM,5%,1/8W,AA,TP,1.8X3.2MM	
C3S21	2401-000598	C-AL:1uF,20%,50V,GP,TP,4x7,5		R807	2001-000969	R-CARBON:75OHM,5%,1/8W,AA,TP,1.8X3.2MM	
C3S22	2202-000797	C-CERAMIC,MLC-AXIAL:10NF,30%,16V,Y5S,TP,		R812	2001-000969	R-CARBON:75OHM,5%,1/8W,AA,TP,1.8X3.2MM	
C3S23	2201-000941	C-CERAMIC,DISC:51pf,5%,50V,SL,TP,5x3,5		R813	2001-000554	R-CARBON:270OHM,5%,1/8W,AA,TP,1.8X3.2MM	
C3S25	2202-000787	C-CERAMIC,MLC-AXIAL:10PF,5%,50V,Y5P,TP,3		R814	2001-000554	R-CARBON:270OHM,5%,1/8W,AA,TP,1.8X3.2MM	
C3S27	2202-000825	C-CERAMIC,MLC-AXIAL:680pf,10%,50V,Y5P,TP		R815	2001-000554	R-CARBON:270OHM,5%,1/8W,AA,TP,1.8X3.2MM	
D3S02	0401-000101	DIODE-SWITCHING:1N4148,100V,200mA,DO-35,		R816	2001-000554	R-CARBON:270OHM,5%,1/8W,AA,TP,1.8X3.2MM	
IC3S01	1204-001437	IC-CHROMA:LA7359,DIP,28P,400MIL,PLASTIC,		FUNCTION MATRIX PARTS			
L3S01	2702-000106	INDUCTOR-RADIAL:100uH,10%,6.2x7.4mm		CN703	3708-001163	CONNECTOR-FPC/FC/PIC:5P,1.25mm,STRAIGHT,	SVR-633/537 ONLY
L3S02	2702-000179	INDUCTOR-RADIAL:6.8uH,5%,6x6.4mm		CN704	3711-000415	CONNECTOR-HEADER:3WALL,11P,1R,2mm,STRAIG	SVR-639/633 ONLY
L3S03	2701-000165	INDUCTOR-AXIAL:27uH,5%,2.4x3.4mm		D701	0401-000101	DIODE-SWITCHING:1N4148,100V,200mA,DO-35,	
L3S04	2701-000195	INDUCTOR-AXIAL:47uH,5%,2.4x3.4mm		D702	0401-000101	DIODE-SWITCHING:1N4148,100V,200mA,DO-35,	
Q3S01	0501-000303	TR-SMALL SIGNAL:KSA733,PNP,250mW,TO-92,T		D703	0401-000101	DIODE-SWITCHING:1N4148,100V,200mA,DO-35,	
Q3S02	0501-000398	TR-SMALL SIGNAL:KSC945,NPN,250mW,TO-92,T		D704	0401-000101	DIODE-SWITCHING:1N4148,100V,200mA,DO-35,	
Q3S03	0504-000142	TR-DIGITAL:KSR2001,PNP,300MW,4.7K/4.7K,T		D705	0401-000101	DIODE-SWITCHING:1N4148,100V,200mA,DO-35,	
Q3S04	0501-000398	TR-SMALL SIGNAL:KSC945,NPN,250mW,TO-92,T		D706	0401-000101	DIODE-SWITCHING:1N4148,100V,200mA,DO-35,	
Q3S05	0501-000398	TR-SMALL SIGNAL:KSC945,NPN,250mW,TO-92,T		D707	0401-000101	DIODE-SWITCHING:1N4148,100V,200mA,DO-35,	
R3S01	2001-000539	R-CARBON:24KOHM,5%,1/8W,AA,TP,1.8X3.2MM		D708	0401-000101	DIODE-SWITCHING:1N4148,100V,200mA,DO-35,	
R3S02	2001-000977	R-CARBON:8.2KOHM,5%,1/8W,AA,TP,1.8X3.2M		D709	0401-000101	DIODE-SWITCHING:1N4148,100V,200mA,DO-35,	
R3S03	2001-001015	R-CARBON:9.1KOHM,5%,1/8W,AA,TP,1.8X3.2MM		D715	0401-000101	DIODE-SWITCHING:1N4148,100V,200mA,DO-35,	
R3S04	2001-000539	R-CARBON:24KOHM,5%,1/8W,AA,TP,1.8X3.2MM		L701	2701-000181	INDUCTOR-AXIAL:33uH,5%,2.4x3.4mm	SVR-639/633 ONLY
R3S05	2001-000786	R-CARBON:47KOHM,5%,1/8W,AA,TP,1.8X3.2MM		L702	2701-000181	INDUCTOR-AXIAL:33uH,5%,2.4x3.4mm	SVR-639/633 ONLY
R3S11	2001-000837	R-CARBON:51KOHM,5%,1/8W,AA,TP,1.8X3.2MM		R702	2001-000290	R-CARBON:10KOHM,5%,1/8W,AA,TP,1.8X3.2MM	SVR-639 NOT USED
R3S12	2001-000734	R-CARBON:4.7KOHM,5%,1/8W,AA,TP,1.8X3.2M		R703	2001-000290	R-CARBON:10KOHM,5%,1/8W,AA,TP,1.8X3.2MM	SVR-639 NOT USED
R3S13	2001-000633	R-CARBON:30KOHM,5%,1/8W,AA,TP,1.8X3.2MM		R704	2001-000290	R-CARBON:10KOHM,5%,1/8W,AA,TP,1.8X3.2MM	SVR-639 NOT USED
R3S14	2001-000890	R-CARBON:6.8KOHM,5%,1/8W,AA,TP,1.8X3.2M		R705	2001-000290	R-CARBON:10KOHM,5%,1/8W,AA,TP,1.8X3.2MM	SVR-639 NOT USED
R3S15	2001-000947	R-CARBON:7.5KOHM,5%,1/8W,AA,TP,1.8X3.2M		R706	2001-000290	R-CARBON:10KOHM,5%,1/8W,AA,TP,1.8X3.2MM	SVR-639 NOT USED
R3S16	2001-000472	R-CARBON:2.7KOHM,5%,1/8W,AA,TP,1.8X3.2M		R727	2001-000008	R-CARBON:15KOHM,5%,1/8W,AA,TP,1.8X3.2MM	
R3S17	2001-000522	R-CARBON:22KOHM,5%,1/8W,AA,TP,1.8X3.2MM		R728	2001-000008	R-CARBON:15KOHM,5%,1/8W,AA,TP,1.8X3.2MM	
R3S20	2001-000281	R-CARBON:100OHM,5%,1/8W,AA,TP,1.8X3.2MM		SW701	3404-001076	SWITCH-TACT:12V,50mA,16gf+-50gf,6x6mm,SP	
R3S21	2001-000674	R-CARBON:360OHM,5%,1/8W,AA,TP,1.8X3.2MM		SW702	3404-001076	SWITCH-TACT:12V,50mA,16gf+-50gf,6x6mm,SP	
R3S22	2001-000429	R-CARBON:1KOHM,5%,1/8W,AA,TP,1.8X3.2MM		SW703	3404-001076	SWITCH-TACT:12V,50mA,16gf+-50gf,6x6mm,SP	
R3S23	2001-000539	R-CARBON:24KOHM,5%,1/8W,AA,TP,1.8X3.2MM		SW708	3404-001076	SWITCH-TACT:12V,50mA,16gf+-50gf,6x6mm,SP	
R3S24	2001-000356	R-CARBON:150KOHM,5%,1/8W,AA,TP,1.8X3.2M		SW709	3404-001076	SWITCH-TACT:12V,50mA,16gf+-50gf,6x6mm,SP	
R3S26	2001-000290	R-CARBON:10KOHM,5%,1/8W,AA,TP,1.8X3.2MM		SW701	3404-001076	SWITCH-TACT:12V,50mA,16gf+-50gf,6x6mm,SP	
R3S27	2001-000319	R-CARBON:120KOHM,5%,1/8W,AA,TP,1.8X3.2M		SW701	3404-001076	SWITCH-TACT:12V,50mA,16gf+-50gf,6x6mm,SP	
INPUT-OUTPUT PARTS				SW710	3404-001076	SWITCH-TACT:12V,50mA,16gf+-50gf,6x6mm,SP	
C816	2401-001074	C-AL:330nF,20%,50V,GP,TP,4x5.25mm		SW711	3404-001076	SWITCH-TACT:12V,50mA,16gf+-50gf,6x6mm,SP	
C821	2401-001479	C-AL:470uF,20%,10V,GP,TP,-,-		SW712	3404-001076	SWITCH-TACT:12V,50mA,16gf+-50gf,6x6mm,SP	
C822	2202-000121	C-CERAMIC,MLC-AXIAL:100pf,10%,50V,Y5P,TP		SW713	3404-001076	SWITCH-TACT:12V,50mA,16gf+-50gf,6x6mm,SP	
C828	2202-000279	C-CERAMIC,MLC-AXIAL:47pf,5%,50V,SL,TP,3.		SW714	3404-001076	SWITCH-TACT:12V,50mA,16gf+-50gf,6x6mm,SP	
C829	2202-000279	C-CERAMIC,MLC-AXIAL:47pf,5%,50V,SL,TP,3.		SW715	3404-001076	SWITCH-TACT:12V,50mA,16gf+-50gf,6x6mm,SP	
C830	2401-002299	C-AL:4.7uF,20%,50V,GP,TP,5x7,5		SW716	3404-001076	SWITCH-TACT:12V,50mA,16gf+-50gf,6x6mm,SP	
C831	2202-000231	C-CERAMIC,MLC-AXIAL:330pf,10%,50V,Y5P,TP		SW717	3404-000165	SWITCH-TACT:12V,50mA,160gf,6x6mm,SPST	

Electrical Parts List

Loc.No	Part No	Description ; Specification	Remark	Loc.No	Part No	Description ; Specification	Remark
SW718	3404-001076	SWITCH-TACT:12V,50mA,16gf+-50gf,6x6mm,SP		-	-	ASSY PCB-F/TIMER-LED-LAMP, SVR-537	SVR-537
SW719	3404-000165	SWITCH-TACT:12V,50mA,160gf,6x6mm,SPST		C701	2401-002165	C-AL:100uF,20%,16V,GP,TP6.3x7.5	
-	-	ASSY-PCB-VFD-AVLINK,SVR-639	SVR-639	C702	2202-000797	C-CERAMIC,MLC-AXIAL:10NF,30%,16V,Y5S,TP	
C701	2401-002165	C-AL:100uF,20%,16V,GP,TP6.3x7.5		C703	2202-000173	C-CERAMIC,MLC-AXIAL:1nF,10%,50V,Y5P,TP1	
C702	2202-000797	C-CERAMIC,MLC-AXIAL:10NF,30%,16V,Y5S,TP		CN701	3711-001198	CONNECTOR-HEADER:NOWALL,10P,1R,2mm,ANGLE	
C706	2202-000797	C-CERAMIC,MLC-AXIAL:10NF,30%,16V,Y5S,TP		CN702	3711-001198	CONNECTOR-HEADER:NOWALL,10P,1R,2mm,ANGLE	
C707	2401-002299	C-AL:4.7uF,20%,50V,GP,TP5x7.5		D706	0401-000101	DIODE-SWITCHING:1N4148,100V,200mA,DO-35,	
C708	2202-000797	C-CERAMIC,MLC-AXIAL:10NF,30%,16V,Y5S,TP		DT701	AC61-21029A	HOLDER-LED-,ABS94,HB,BLK,-,SVK-C17GV	
C711	2202-000789	C-CERAMIC,MLC-AXIAL:12PF,5%,50V,SL,TP,3.		LD702	0601-001201	LED-ROUND,RED,3mm,635nm	
C712	2202-000789	C-CERAMIC,MLC-AXIAL:12PF,5%,50V,SL,TP,3.		LD703	0601-000497	LED-ROUND,GRN,3.1mm,565nm	
CN701	3711-001198	CONNECTOR-HEADER:NOWALL,10P,1R,2mm,ANGLE		LD704	0601-000497	LED-ROUND,GRN,3.1mm,565nm	
CN702	3711-001198	CONNECTOR-HEADER:NOWALL,10P,1R,2mm,ANGLE		LD705	0601-000497	LED-ROUND,GRN,3.1mm,565nm	
DT701	AC07-20051C	VF-DISPLAY:SVV-07SS27,15SEG,20.5X75.0,SV		LD706	0601-000497	LED-ROUND,GRN,3.1mm,565nm	
IC701	AC09-00092A	IC MCU:uPD780232GC-014-8BT,uPD780232G		LD707	0601-000497	LED-ROUND,GRN,3.1mm,565nm	
L701	2701-000002	INDUCTOR-AXIAL:100uH,10%,4.2x9.8mm		LD709	0601-000497	LED-ROUND,GRN,3.1mm,565nm	
R706	2001-000633	R-CARBON:30KOHM,5%,1/8W,AA,TP,1.8X3.2MM		Q709	0501-000398	TR-SMALL SIGNAL:KSC945,NPN,250mW,TO-92,T	
R708	2001-000563	R-CARBON:27KOHM,5%,1/8W,AA,TP,1.8X3.2MM		Q710	0501-000398	TR-SMALL SIGNAL:KSC945,NPN,250mW,TO-92,T	
R709	2001-000515	R-CARBON:220OHM,5%,1/8W,AA,TP,1.8X3.2MM		Q711	0501-000290	TR-SMALL SIGNAL:KSA643-Y,PNP,500mW,TO-92	
R710	2001-000435	R-CARBON:1MOHM,5%,1/8W,AA,TP,1.8X3.2MM		R708	2001-000362	R-CARBON:150OHM,5%,1/8W,AA,TP,1.8X3.2MM	
XT701	2801-003868	CRYSTAL-UNIT:5MHz,30ppm,28-AAA,12pF,100o		R709	2001-000362	R-CARBON:150OHM,5%,1/8W,AA,TP,1.8X3.2MM	
ZD701	0403-000509	DIODE-ZENER:MTZJ5.6B,5.6V,5.45-5.73V,500		R710	2001-000362	R-CARBON:150OHM,5%,1/8W,AA,TP,1.8X3.2MM	
ZD702	0403-001141	DIODE-ZENER:MTZJ24D,24V,23.63-24.85V,500		R711	2001-000362	R-CARBON:150OHM,5%,1/8W,AA,TP,1.8X3.2MM	
-	-	ASSY-PCB-LED-M-LED-MODULE,SVR-633/630	SVR-633/630	R712	2001-000362	R-CARBON:150OHM,5%,1/8W,AA,TP,1.8X3.2MM	
C701	2401-002165	C-AL:100uF,20%,16V,GP,TP6.3x7.5		R713	2001-000290	R-CARBON:10KOHM,5%,1/8W,AA,TP,1.8X3.2MM	
C702	2202-000173	C-CERAMIC,MLC-AXIAL:1nF,10%,50V,Y5P,TP1		R714	2001-000290	R-CARBON:10KOHM,5%,1/8W,AA,TP,1.8X3.2MM	
C703	2202-000797	C-CERAMIC,MLC-AXIAL:10NF,30%,16V,Y5S,TP		R715	2001-000362	R-CARBON:150OHM,5%,1/8W,AA,TP,1.8X3.2MM	
CN701	3711-001198	CONNECTOR-HEADER:NOWALL,10P,1R,2mm,ANGLE		R716	2001-000780	R-CARBON:470OHM,5%,1/8W,AA,TP,1.8X3.2MM	
CN702	3711-001198	CONNECTOR-HEADER:NOWALL,10P,1R,2mm,ANGLE		R721	2001-000449	R-CARBON:2.2KOHM,5%,1/8W,AA,TP,1.8X3.2M	
DT701	0703-001096	LED DISPLAY:AMB,6,10,50x22.5mm		R722	2001-000490	R-CARBON:200OHM,5%,1/8W,AA,TP,1.8X3.2MM	
Q701	0501-000398	TR-SMALL SIGNAL:KSC945,NPN,250mW,TO-92,T		R723	2001-000780	R-CARBON:470OHM,5%,1/8W,AA,TP,1.8X3.2MM	
Q707	0501-000398	TR-SMALL SIGNAL:KSC945,NPN,250mW,TO-92,T		R731	2001-000290	R-CARBON:10KOHM,5%,1/8W,AA,TP,1.8X3.2MM	
Q708	0501-000398	TR-SMALL SIGNAL:KSC945,NPN,250mW,TO-92,T		RM701	AC59-60060A	MODULE-REMOCON:GPIU281R,SHARP,38KHZ,...	
Q709	0501-000398	TR-SMALL SIGNAL:KSC945,NPN,250mW,TO-92,T		-	-	ASSY-PCB-F/AV/F-AV, SVR-639	SVR-639
Q710	0501-000398	TR-SMALL SIGNAL:KSC945,NPN,250mW,TO-92,T		C703	2401-002165	C-AL:100uF,20%,16V,GP,TP6.3x7.5	
Q711	0501-000290	TR-SMALL SIGNAL:KSA643-Y,PNP,500mW,TO-92		C704	2202-000797	C-CERAMIC,MLC-AXIAL:10NF,30%,16V,Y5S,TP	
Q712	0501-000290	TR-SMALL SIGNAL:KSA643-Y,PNP,500mW,TO-92		C717	2202-000173	C-CERAMIC,MLC-AXIAL:1nF,10%,50V,Y5P,TP1	
Q713	0501-000290	TR-SMALL SIGNAL:KSA643-Y,PNP,500mW,TO-92		C730	2202-000173	C-CERAMIC,MLC-AXIAL:1nF,10%,50V,Y5P,TP1	
Q714	0501-000290	TR-SMALL SIGNAL:KSA643-Y,PNP,500mW,TO-92		C731	2202-000173	C-CERAMIC,MLC-AXIAL:1nF,10%,50V,Y5P,TP1	
Q715	0501-000290	TR-SMALL SIGNAL:KSA643-Y,PNP,500mW,TO-92		CN705	3710-001564	CONNECTOR-SOCKET:11P,1R,2mm,ANGLE,SN	
Q716	0501-000290	TR-SMALL SIGNAL:KSA643-Y,PNP,500mW,TO-92		CN706	AC39-20817T	LEAD CONNECTOR-ASSY:DYPBH200-03,YBST20	
R701	2001-000290	R-CARBON:10KOHM,5%,1/8W,AA,TP,1.8X3.2MM		JC701	AC37-00006A	JACK-PIN:3.2MM,DPSE-9872,3P,ARREY,10MM	
R707	2001-000290	R-CARBON:10KOHM,5%,1/8W,AA,TP,1.8X3.2MM		L702	2701-000002	INDUCTOR-AXIAL:100uH,10%,4.2x9.8mm	
R708	2001-000290	R-CARBON:10KOHM,5%,1/8W,AA,TP,1.8X3.2MM		R731	2001-000290	R-CARBON:10KOHM,5%,1/8W,AA,TP,1.8X3.2MM	
R709	2001-000290	R-CARBON:10KOHM,5%,1/8W,AA,TP,1.8X3.2MM		RM701	AC59-60060A	MODULE-REMOCON:GPIU281R,SHARP,38KHZ,...	
R710	2001-000290	R-CARBON:10KOHM,5%,1/8W,AA,TP,1.8X3.2MM		SW701	3404-000165	SWITCH-TACT:12V,50mA,160gf,6x6mm,SPST	
R711	2001-000449	R-CARBON:2.2KOHM,5%,1/8W,AA,TP,1.8X3.2M		SW703	3404-000165	SWITCH-TACT:12V,50mA,160gf,6x6mm,SPST	
R712	2001-000449	R-CARBON:2.2KOHM,5%,1/8W,AA,TP,1.8X3.2M		-	-	ASSY-PCB-F/AV/F-AV, SVR-633	SVR-633
R713	2001-000449	R-CARBON:2.2KOHM,5%,1/8W,AA,TP,1.8X3.2M		C701	2201-000281	C-CERAMIC,DISC:1nF,+80-20%,50V,Y5V,TP5x	
R714	2001-000449	R-CARBON:2.2KOHM,5%,1/8W,AA,TP,1.8X3.2M		C702	2201-000281	C-CERAMIC,DISC:1nF,+80-20%,50V,Y5V,TP5x	
R715	2001-000449	R-CARBON:2.2KOHM,5%,1/8W,AA,TP,1.8X3.2M		CN705	3710-001564	CONNECTOR-SOCKET:11P,1R,2mm,ANGLE,SN	
R716	2001-000449	R-CARBON:2.2KOHM,5%,1/8W,AA,TP,1.8X3.2M		JC701	AC37-22002G	JACK-PIN:3.2mm,DPSE-9813,3P,13mm,ARREY	
R717	2001-000708	R-CARBON:390HM,5%,1/8W,AA,TP,1.8X3.2MM		SW706	3404-001008	SWITCH-TACT:15V,20mA,160gf,6x7.9x3.5mm,D	
R718	2001-000708	R-CARBON:390HM,5%,1/8W,AA,TP,1.8X3.2MM		SW707	3404-001008	SWITCH-TACT:15V,20mA,160gf,6x7.9x3.5mm,D	
R719	2001-000708	R-CARBON:390HM,5%,1/8W,AA,TP,1.8X3.2MM		-	-	ASSY-PCB-SUB;SHUTTLE,SVR-633	SVR-633
R720	2001-000708	R-CARBON:390HM,5%,1/8W,AA,TP,1.8X3.2MM		CN707	3708-001164	CONNECTOR-FPC/FC/PIC:5P,1.25MM,ANGLE,SN	
R721	2001-000708	R-CARBON:390HM,5%,1/8W,AA,TP,1.8X3.2MM		SH701	2101-000101	VR-ROTARY:100kohm,20%,1/10W,SIDE	
R722	2001-000708	R-CARBON:390HM,5%,1/8W,AA,TP,1.8X3.2MM		-	-	ASSY PCB-SHUTTLE;SHUTTLE, SVR-537	SVR-537
R723	2001-000708	R-CARBON:390HM,5%,1/8W,AA,TP,1.8X3.2MM		CN707	3708-001164	CONNECTOR-FPC/FC/PIC:5P,1.25MM,ANGLE,SN	
R724	2001-000708	R-CARBON:390HM,5%,1/8W,AA,TP,1.8X3.2MM		SH702	2101-000101	VR-ROTARY:100kohm,20%,1/10W,SIDE	
R725	2001-000708	R-CARBON:390HM,5%,1/8W,AA,TP,1.8X3.2MM					
R726	2001-000708	R-CARBON:390HM,5%,1/8W,AA,TP,1.8X3.2MM					
R731	2001-000290	R-CARBON:10KOHM,5%,1/8W,AA,TP,1.8X3.2MM					
RM701	AC59-60060A	MODULE-REMOCON:GPIU281R,SHARP,38KHZ,...					

5. Schematic Diagrams

Block Identification of Main PCB	5-2
5-1 S.M.P.S.	5-3
5-2 Power Drive	5-4
5-3 System Control/Servo	5-5
5-4 Audio/Video	5-6
5-5 Hi-Fi	5-7
5-6 RF	5-8
5-7 SECAM (SVR-639 Only)	5-9
5-8 Input-Output (1 Scart Jack)	5-10
5-9 Input-Output (RCA Jack)	5-11
5-10 OSD	5-12
5-11 VFD Display (SVR-639)	5-13
5-12 LED-Module Display (SVR-633/SVR-630)	5-14
5-13 LED-Single Display (SVR-537)	5-15
5-14 Front A/V Jack/Shuttle	5-16
5-15 Remote-Control (Multi-TV)	5-17
5-16 Remote-Control (VCR Only)	5-18

Note

For schematic Diagram
 - Resistors are in ohms, 1/8W unless otherwise noted.


Special note :

Most semiconductor devices are electrostatically sensitive and therefore require the special handling techniques described under the "electrostatically sensitive (ES) devices" section of this service manual.

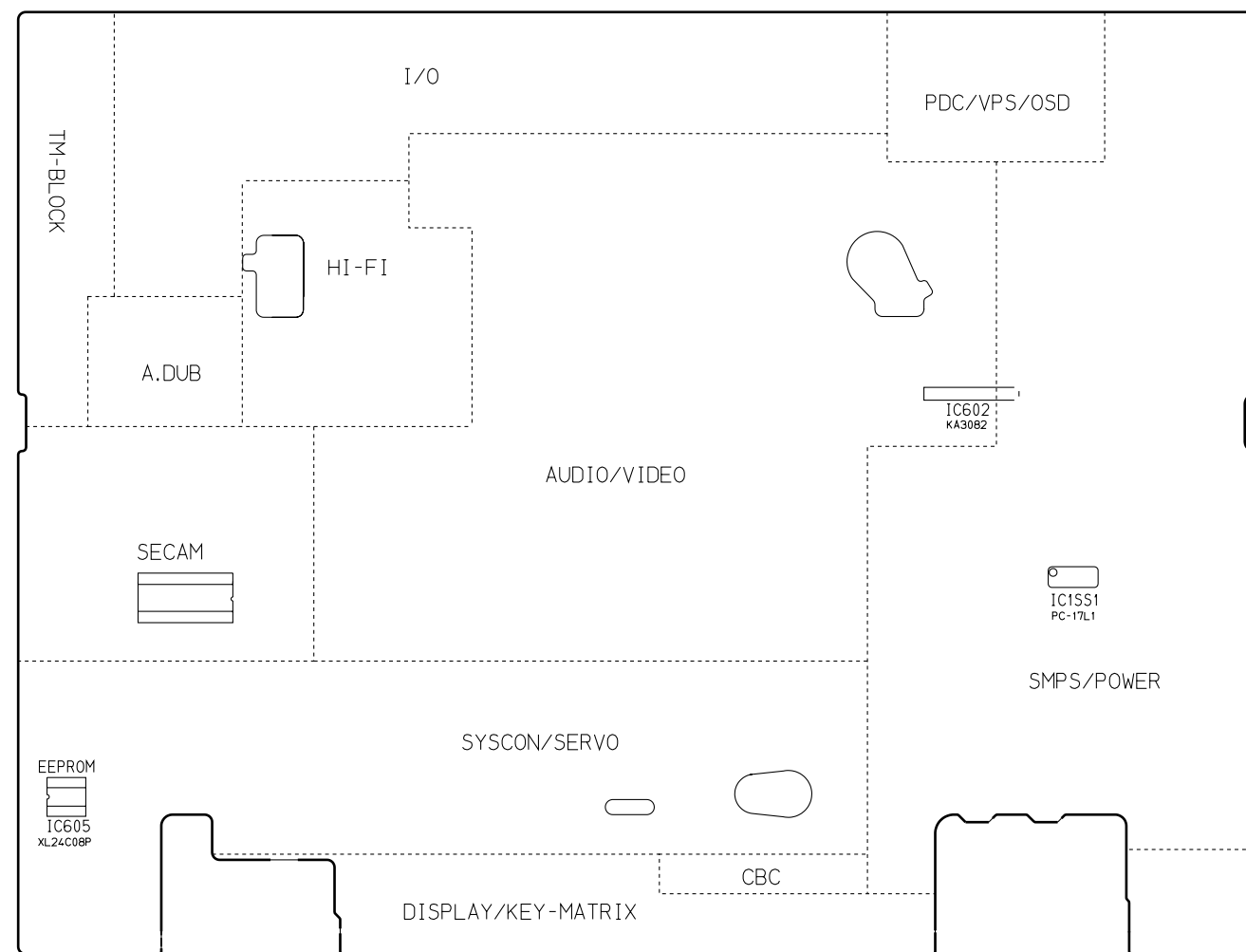
Note :

Do not use the part number shown on this drawing for ordering. The correct part number is shown in the parts list (may be slightly different or amended since this drawing was prepared).

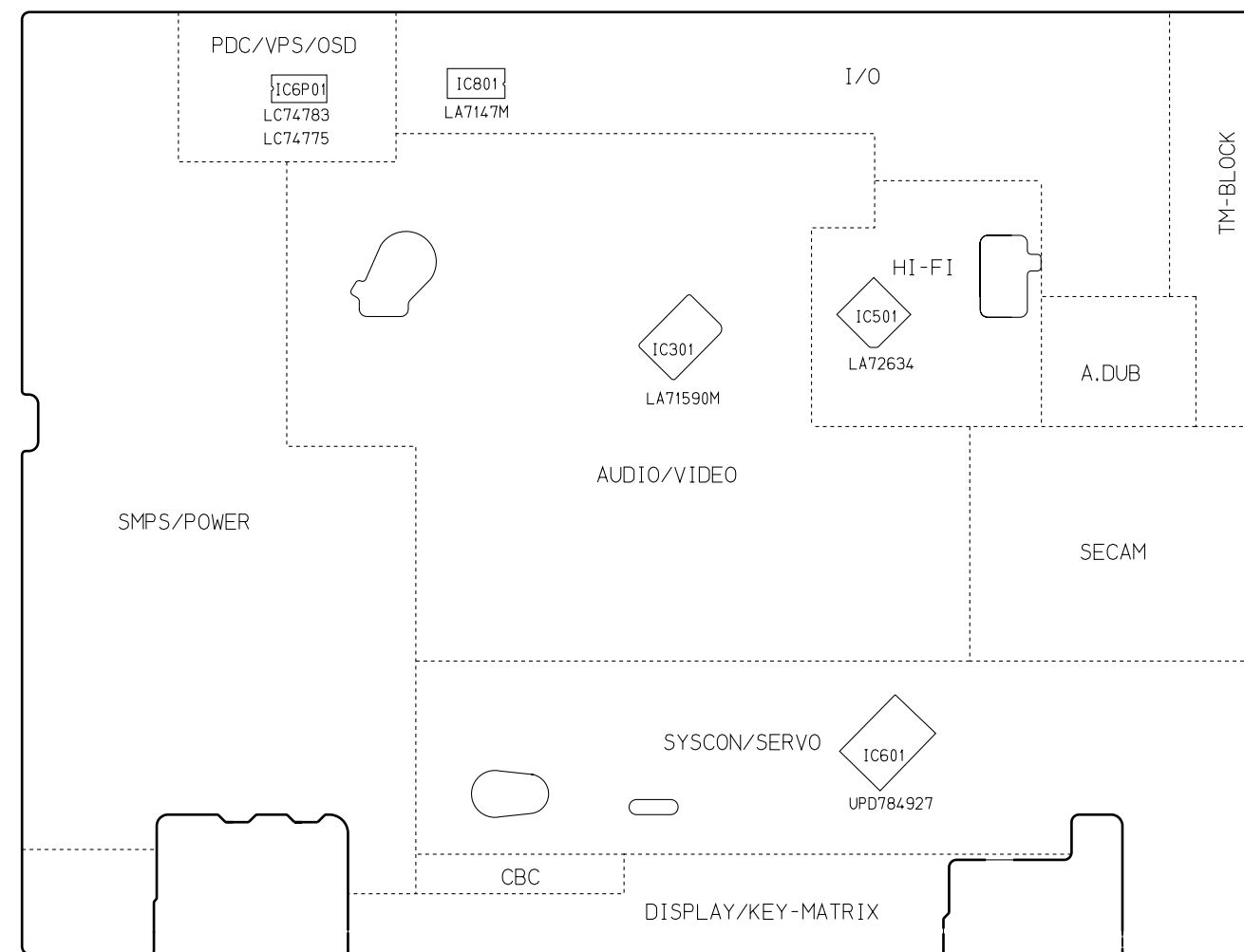
Important safety notices :

Components identified with the mark  have the special characteristics for safety. When replacing any of these components. Use only the same type.

Block Identification of Main PCB

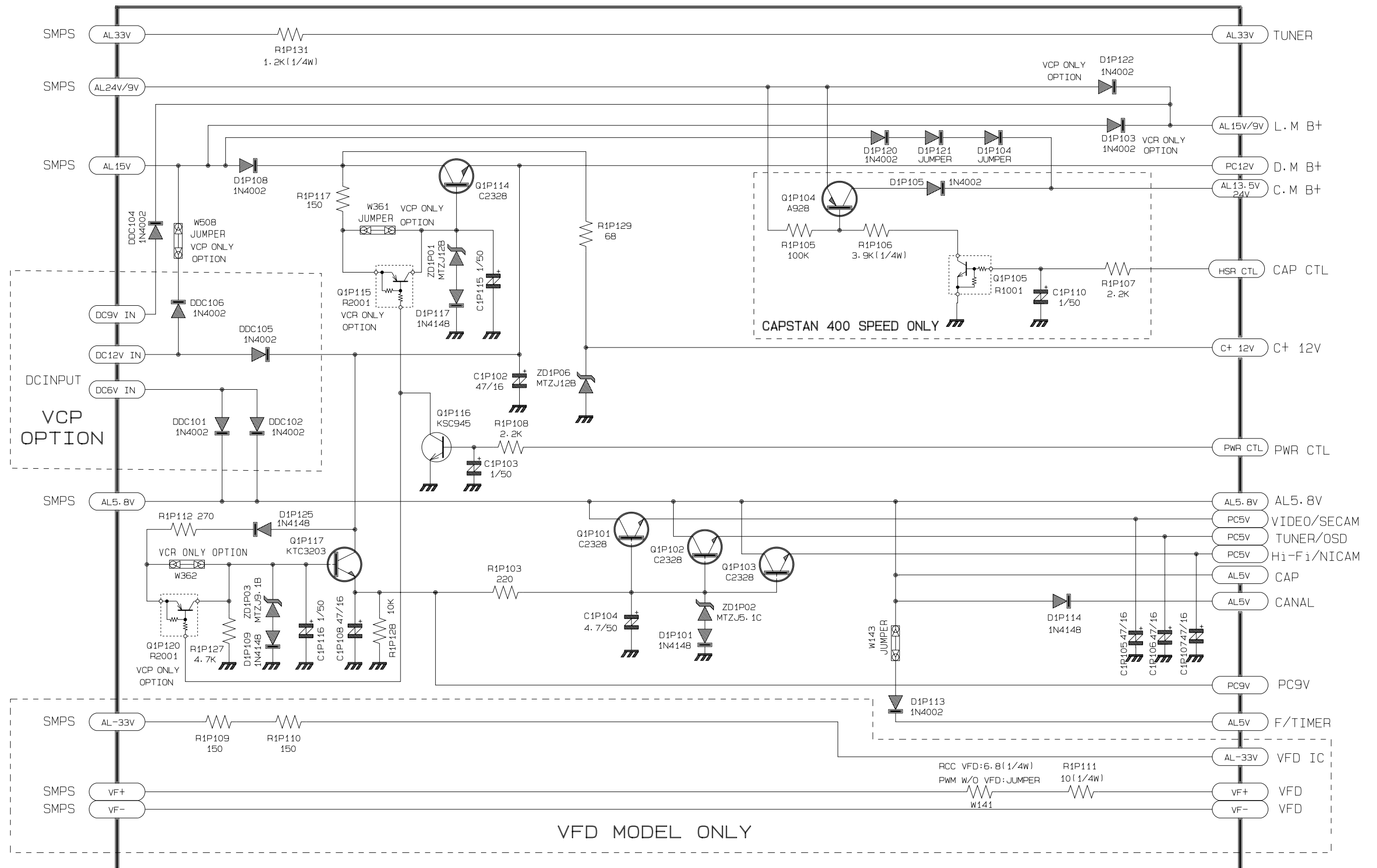


Component Side

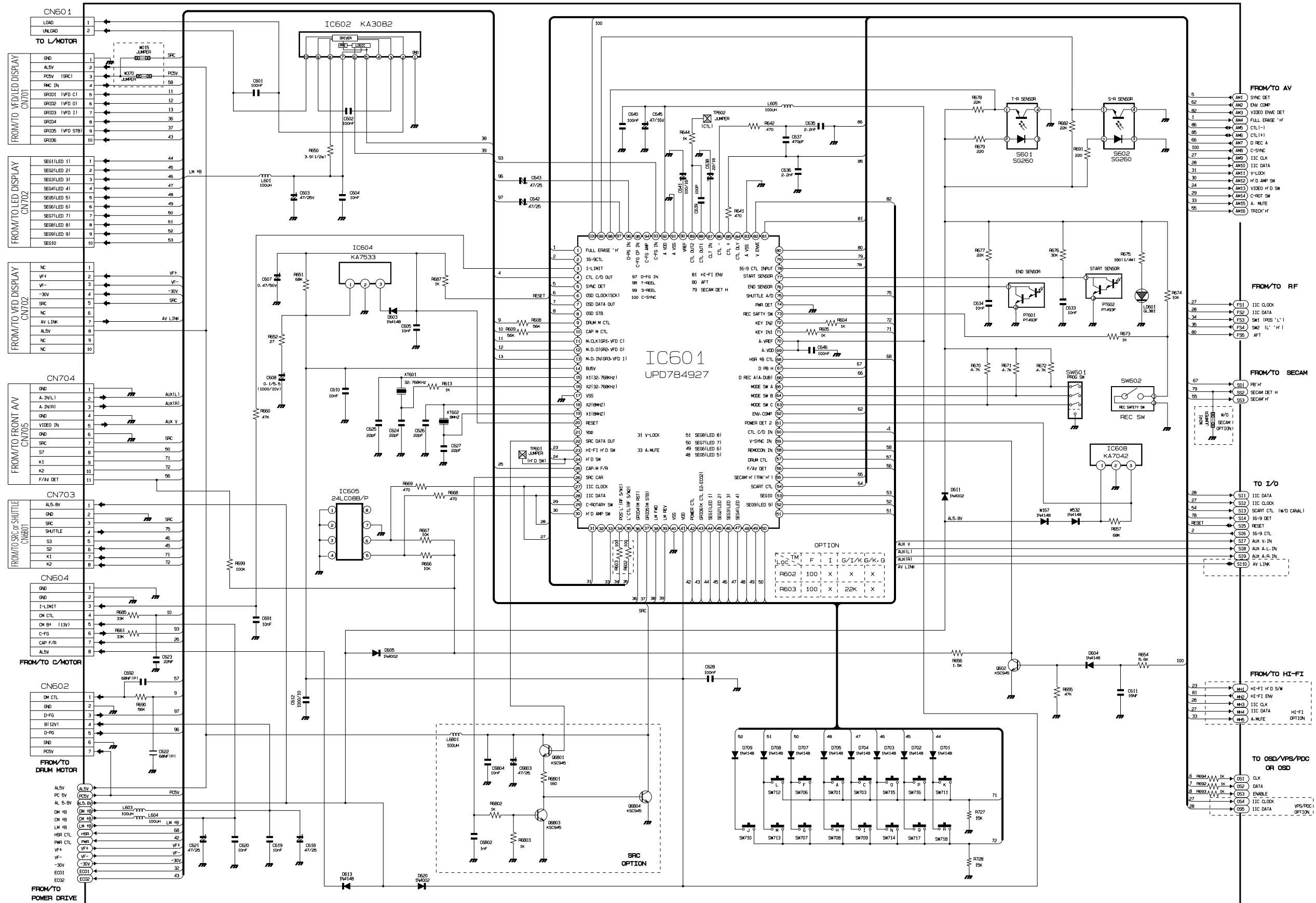


Conductor Side

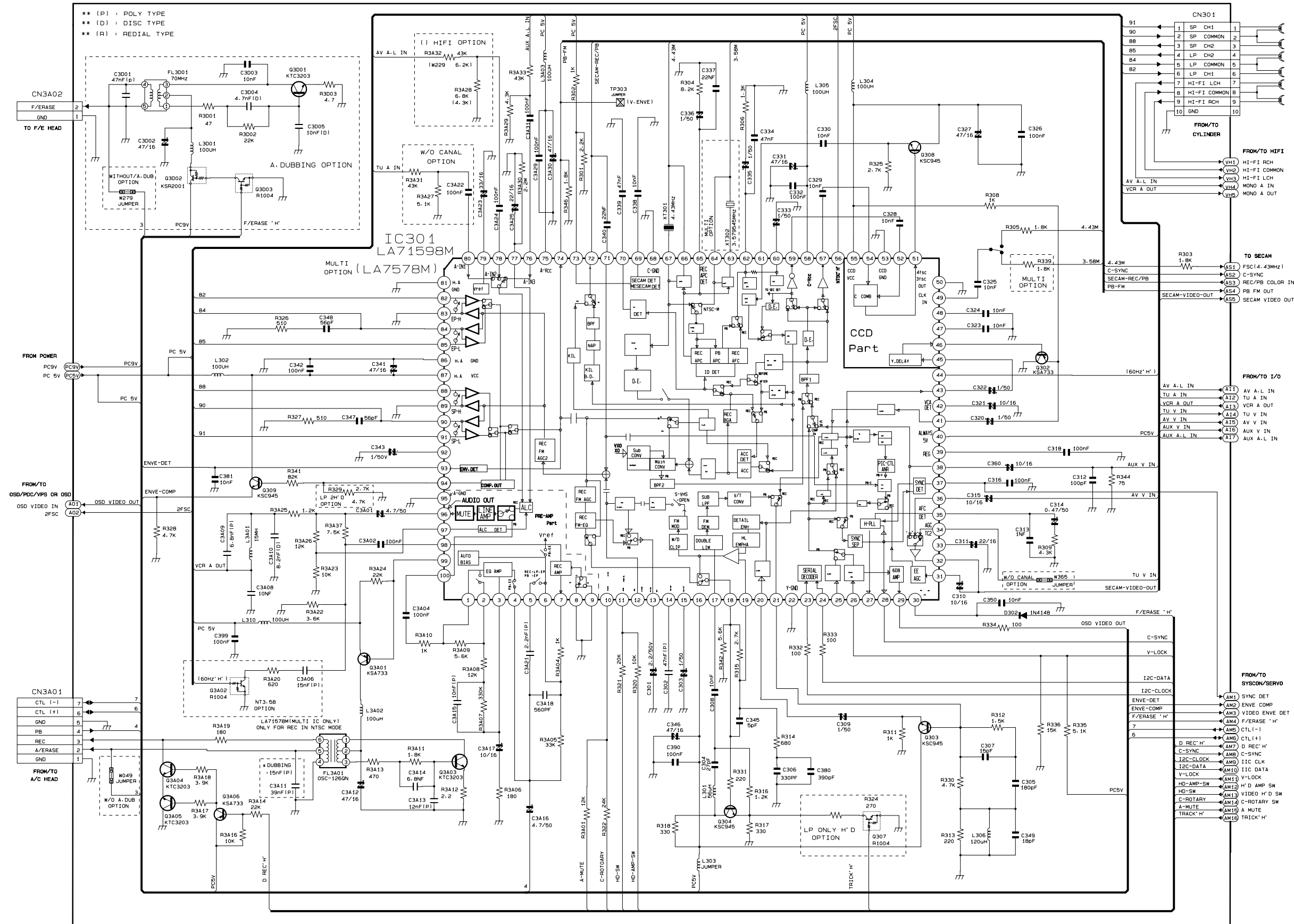
5-2 Power Drive



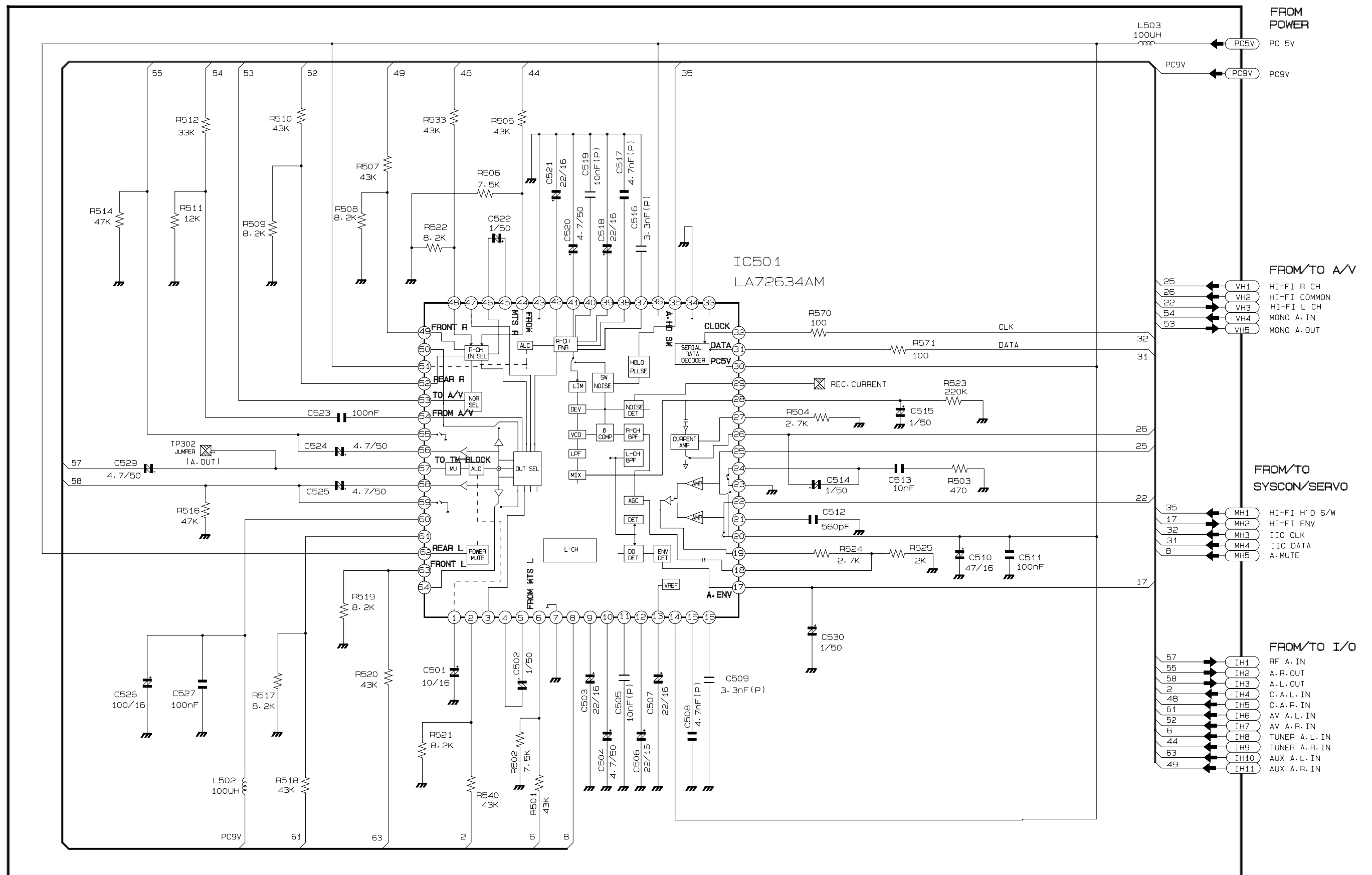
5-3 System Control/Servo



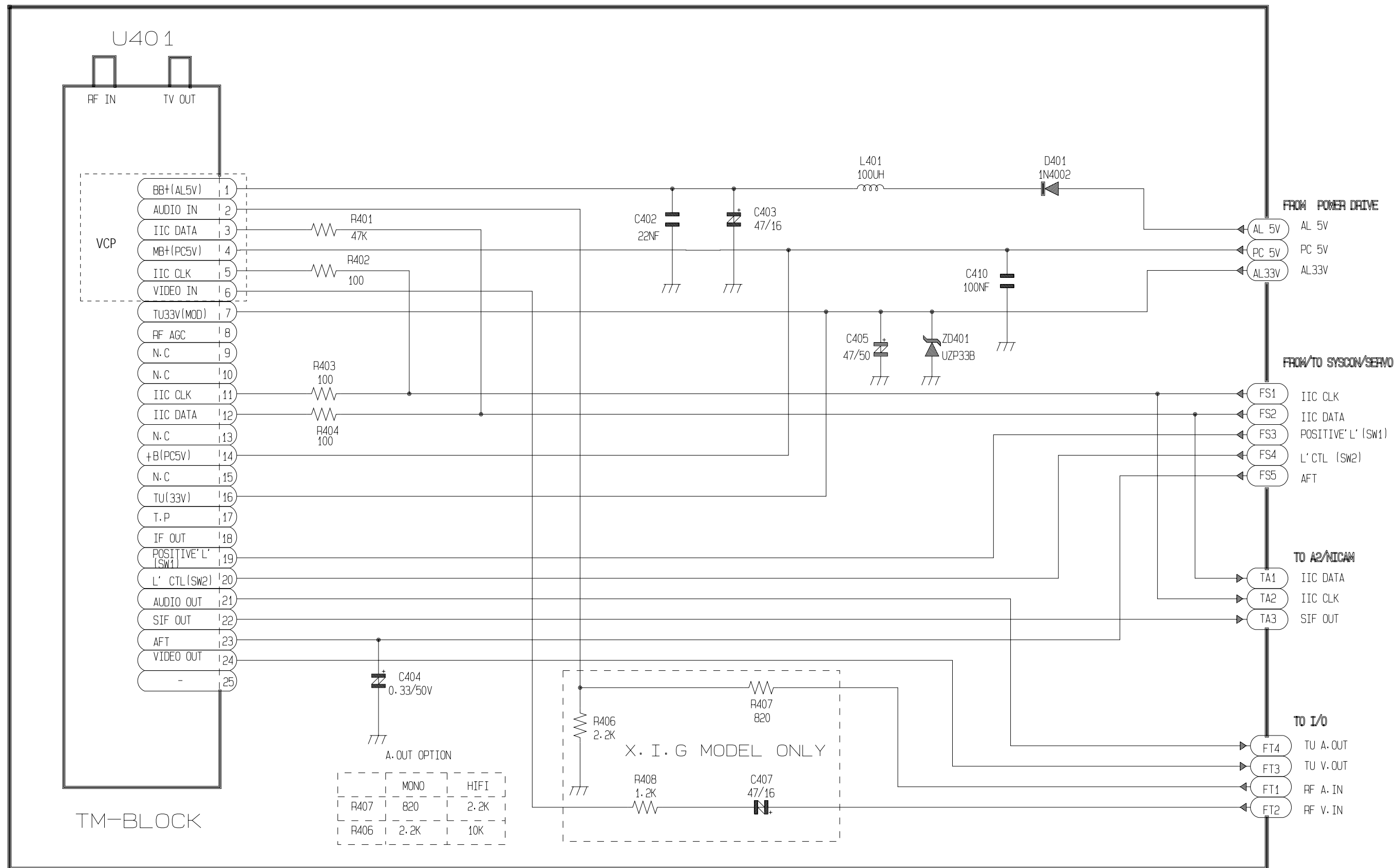
5-4 Audio/Video



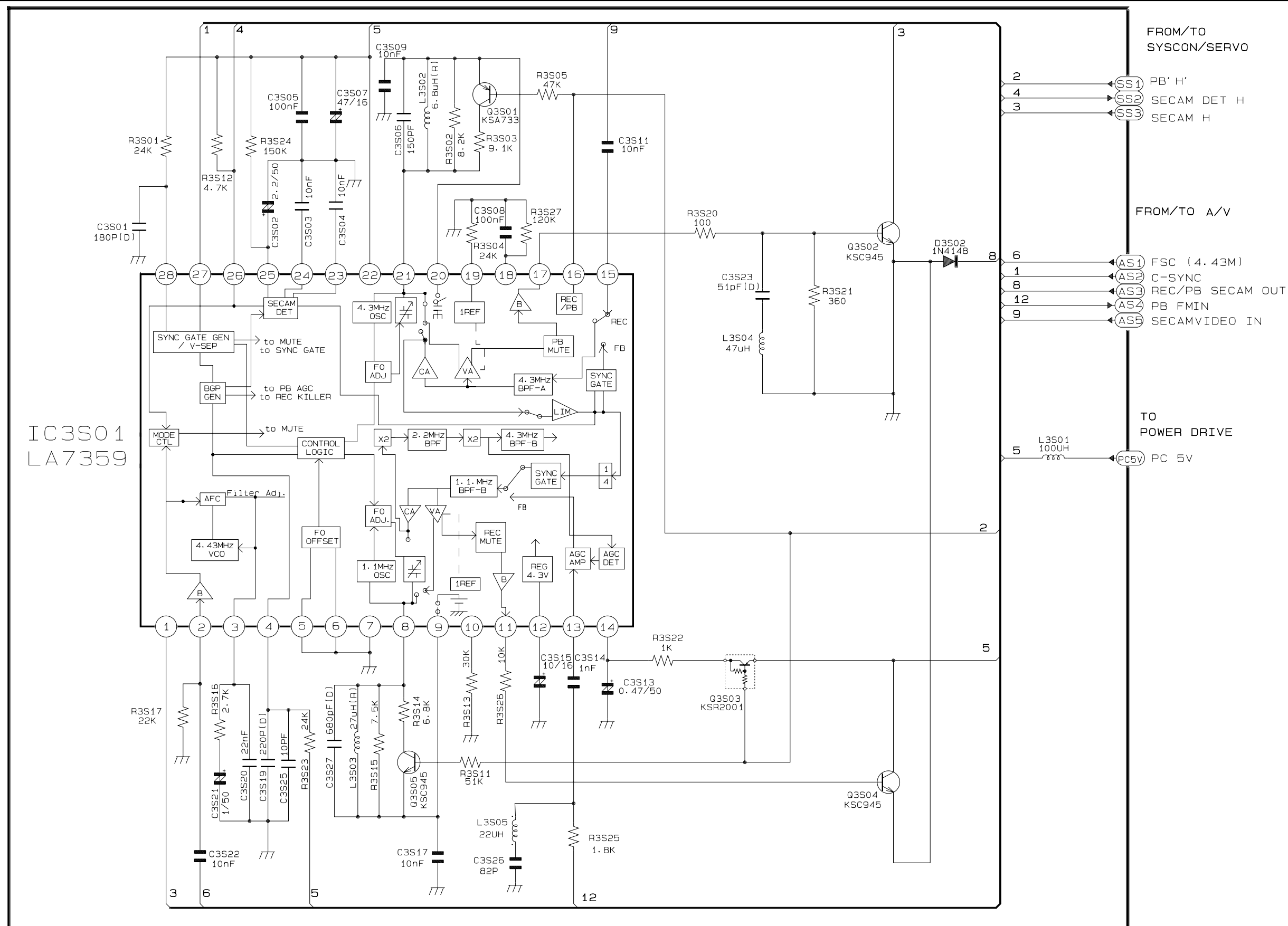
5-5 Hi-Fi



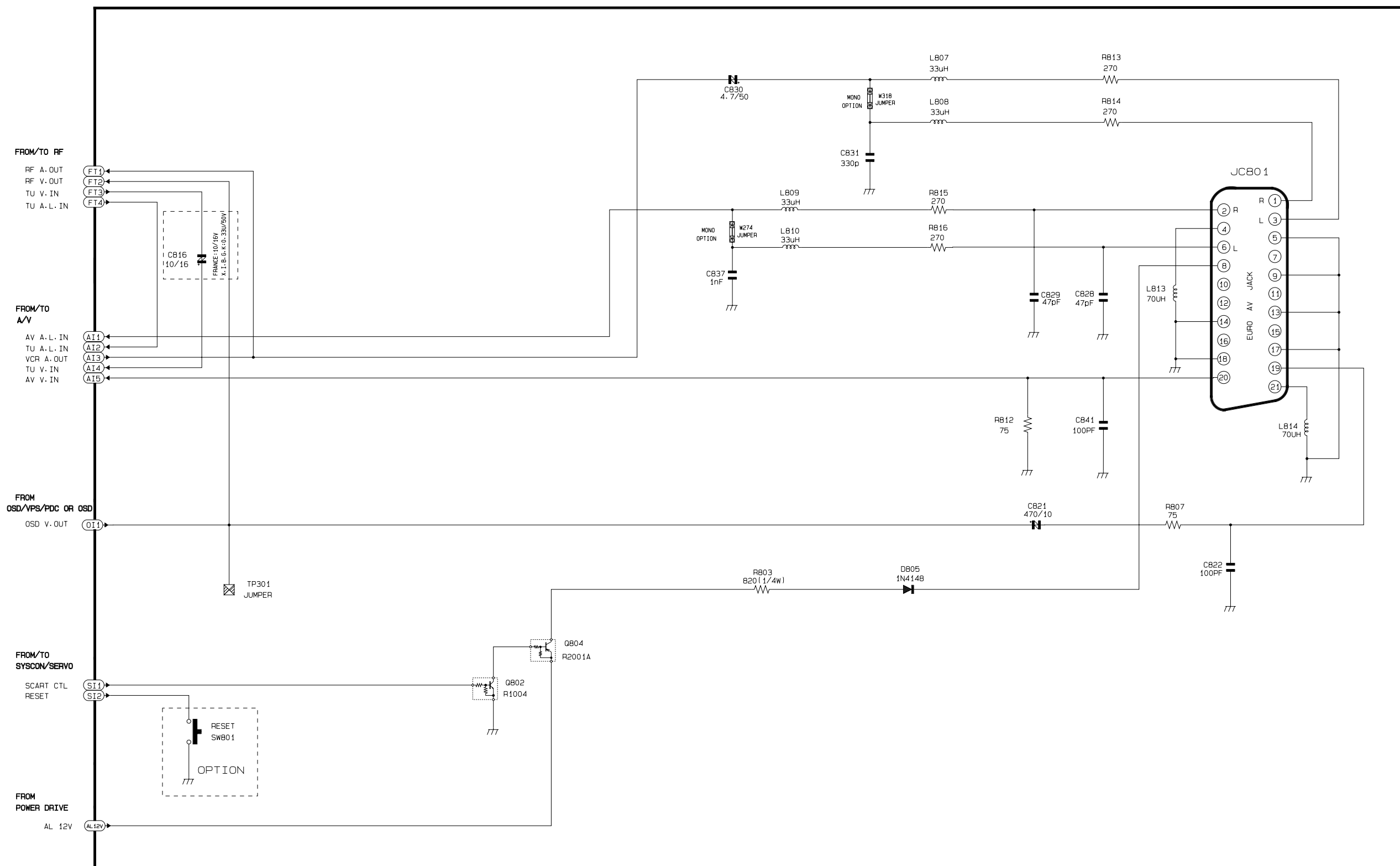
5-6 RF



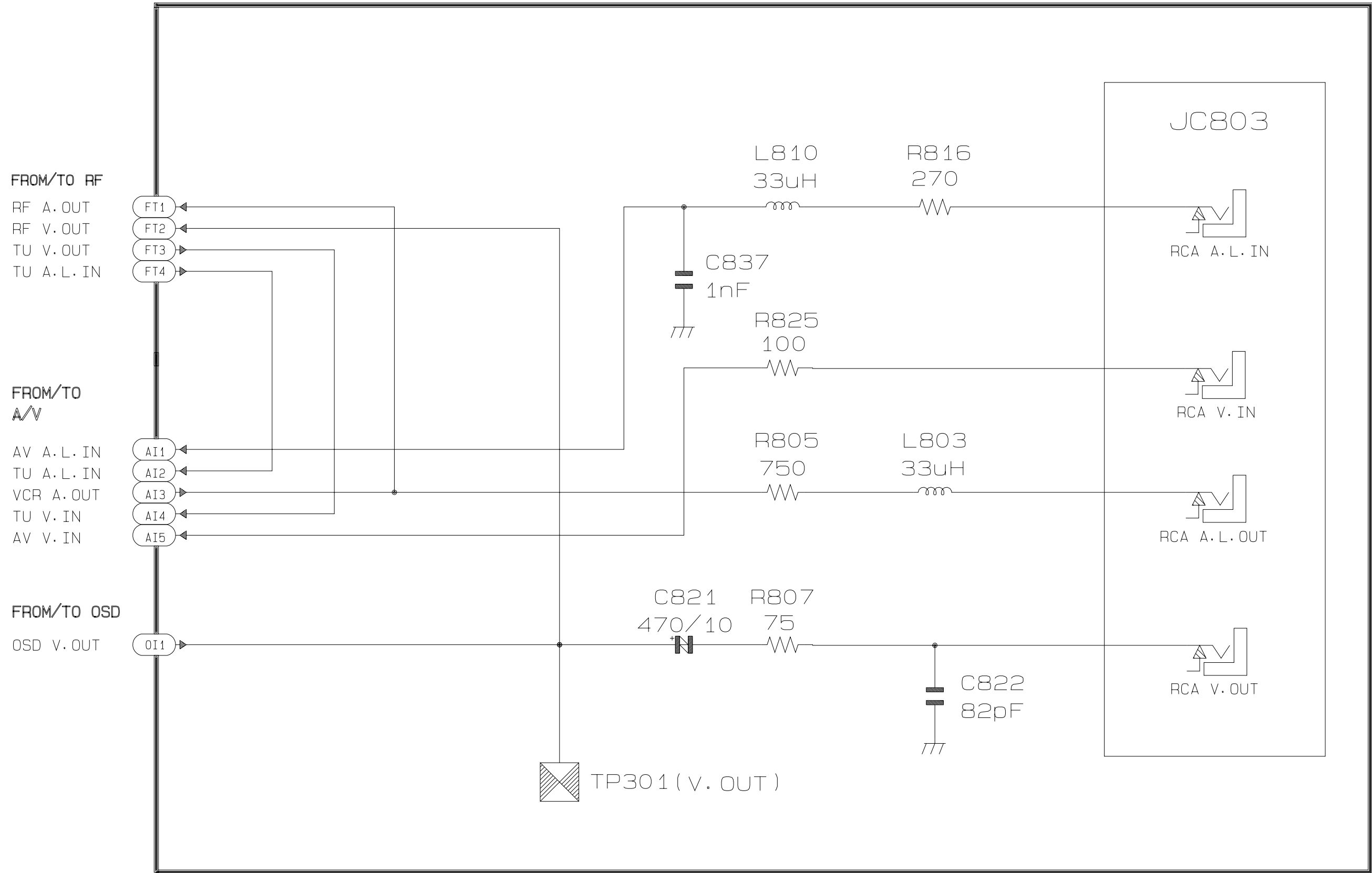
5-7 SECAM (SVR-639 Only)



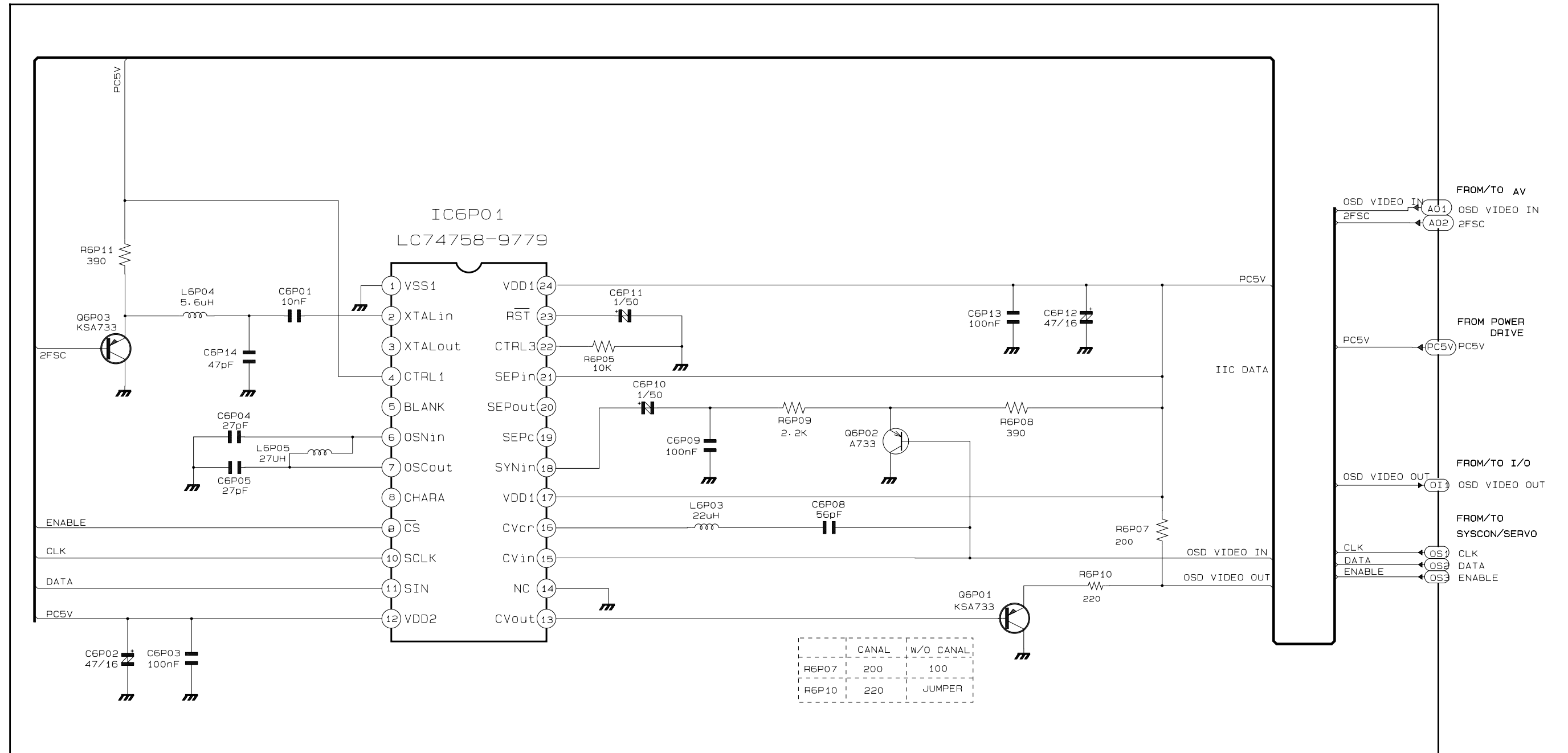
5-8 Input-Output (1 Scart Jack ; SVR-639 Only)



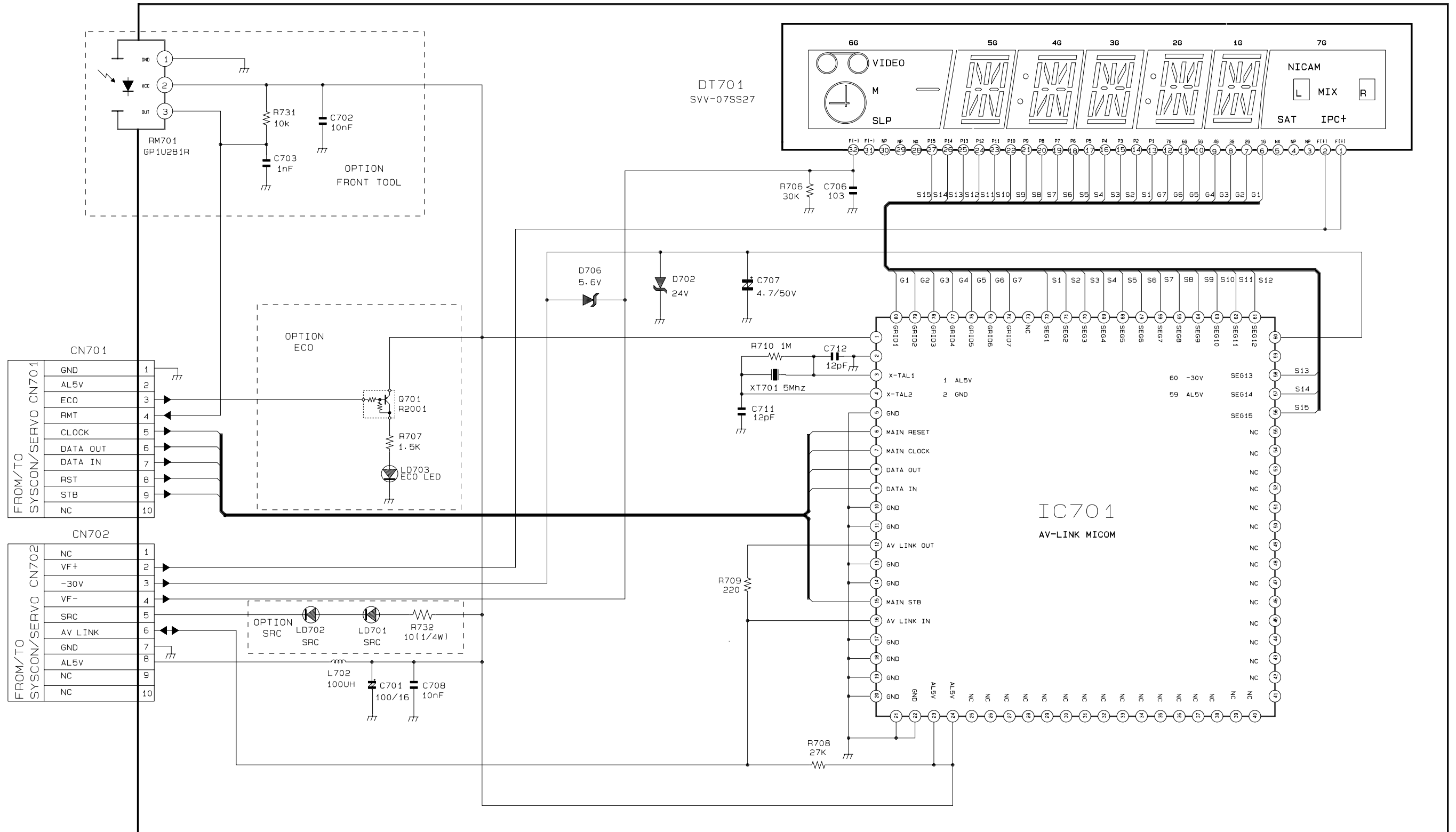
5-9 Input-Output (RCA Jack)



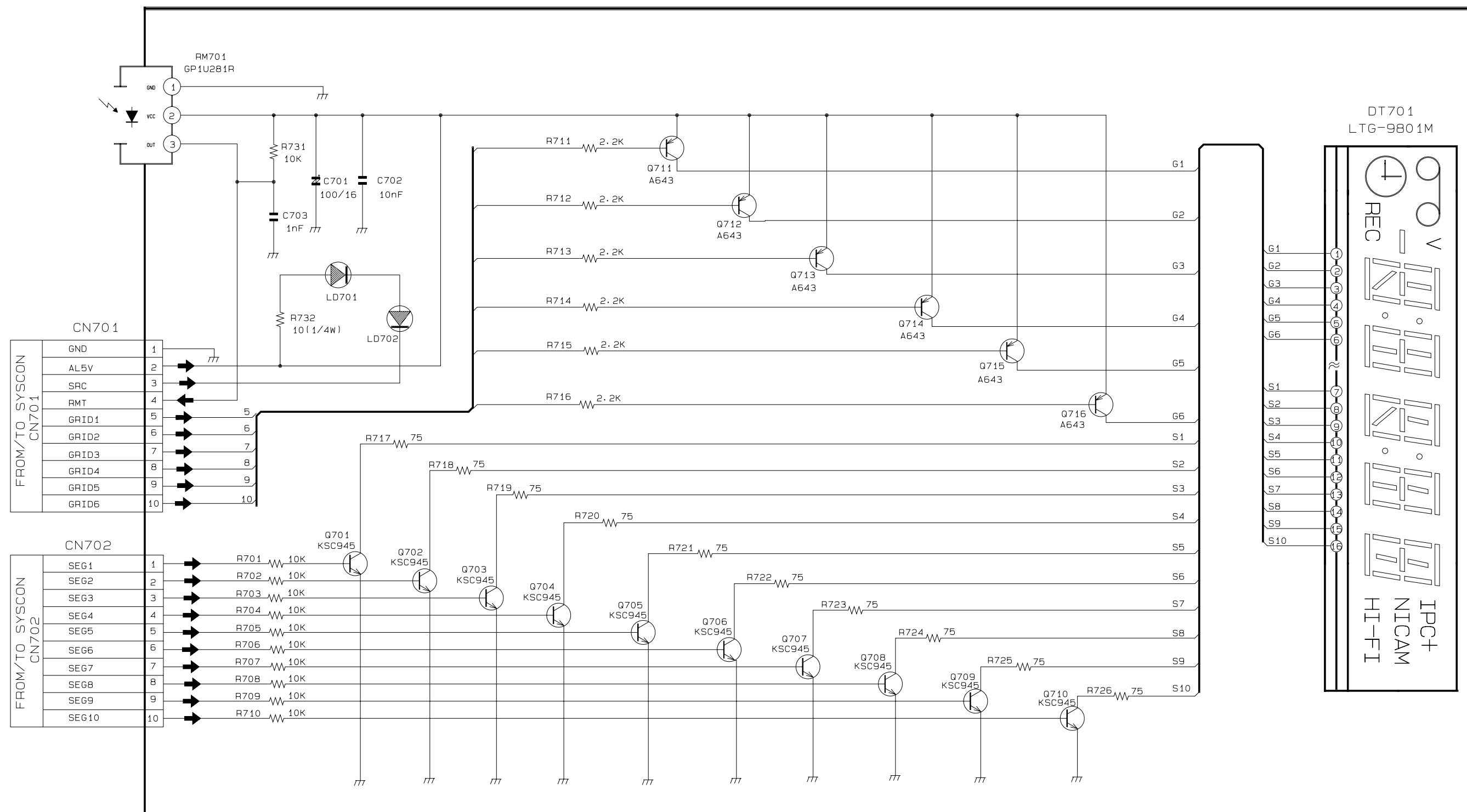
5-10 OSD



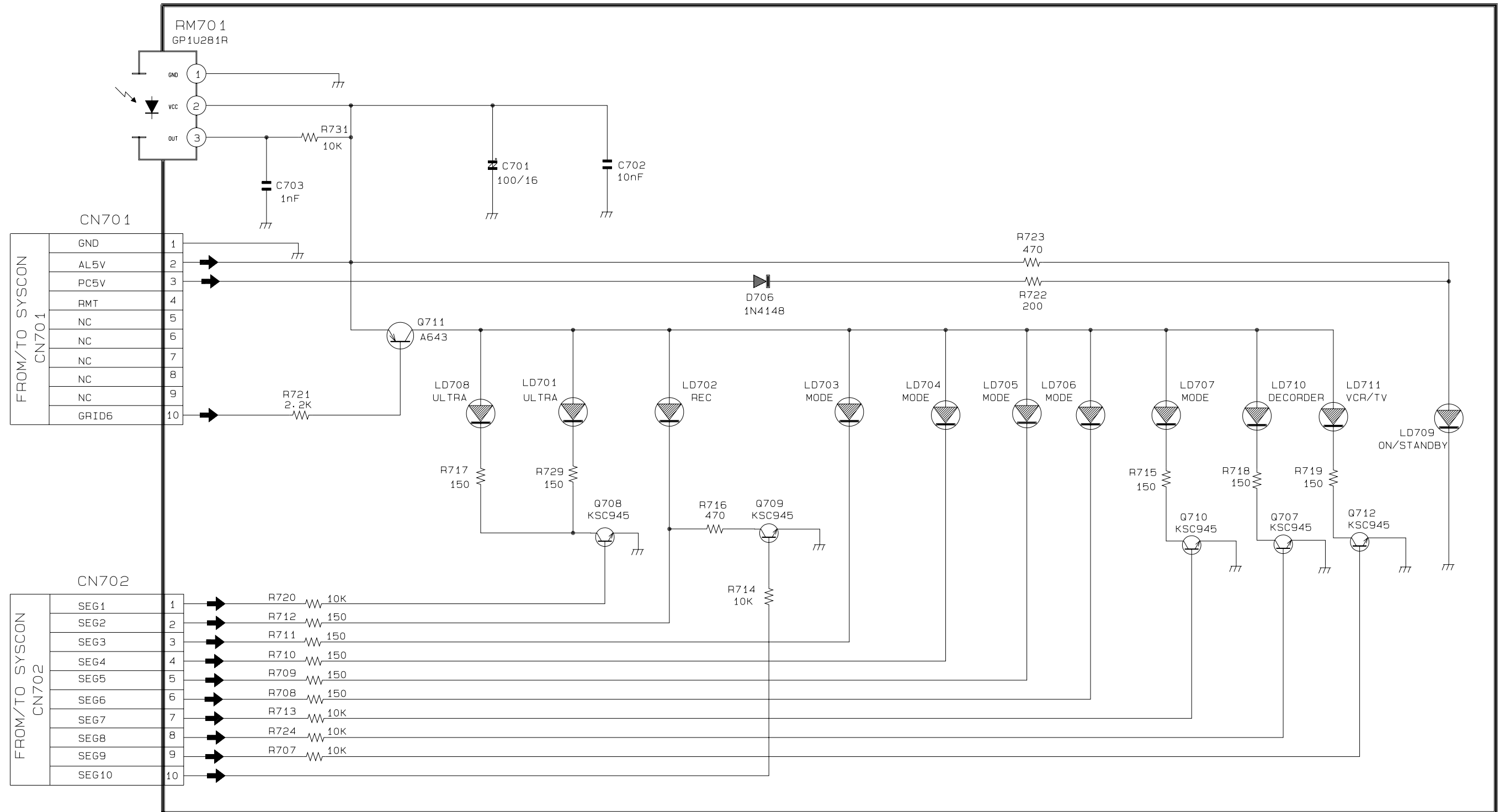
5-11 VFD Display (SVR-639)



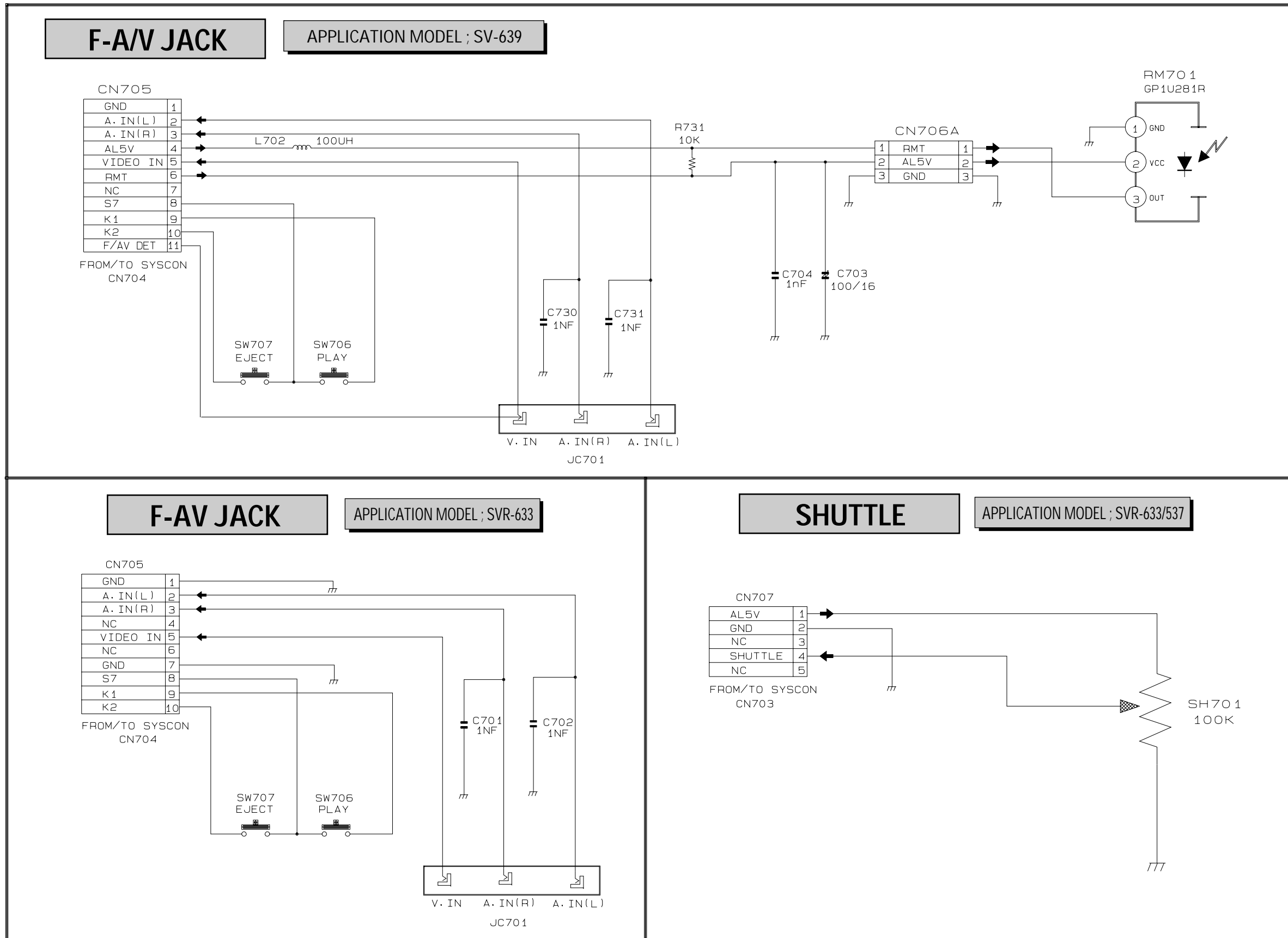
5-12 LED-Module Display (SVR-633/SVR-630)



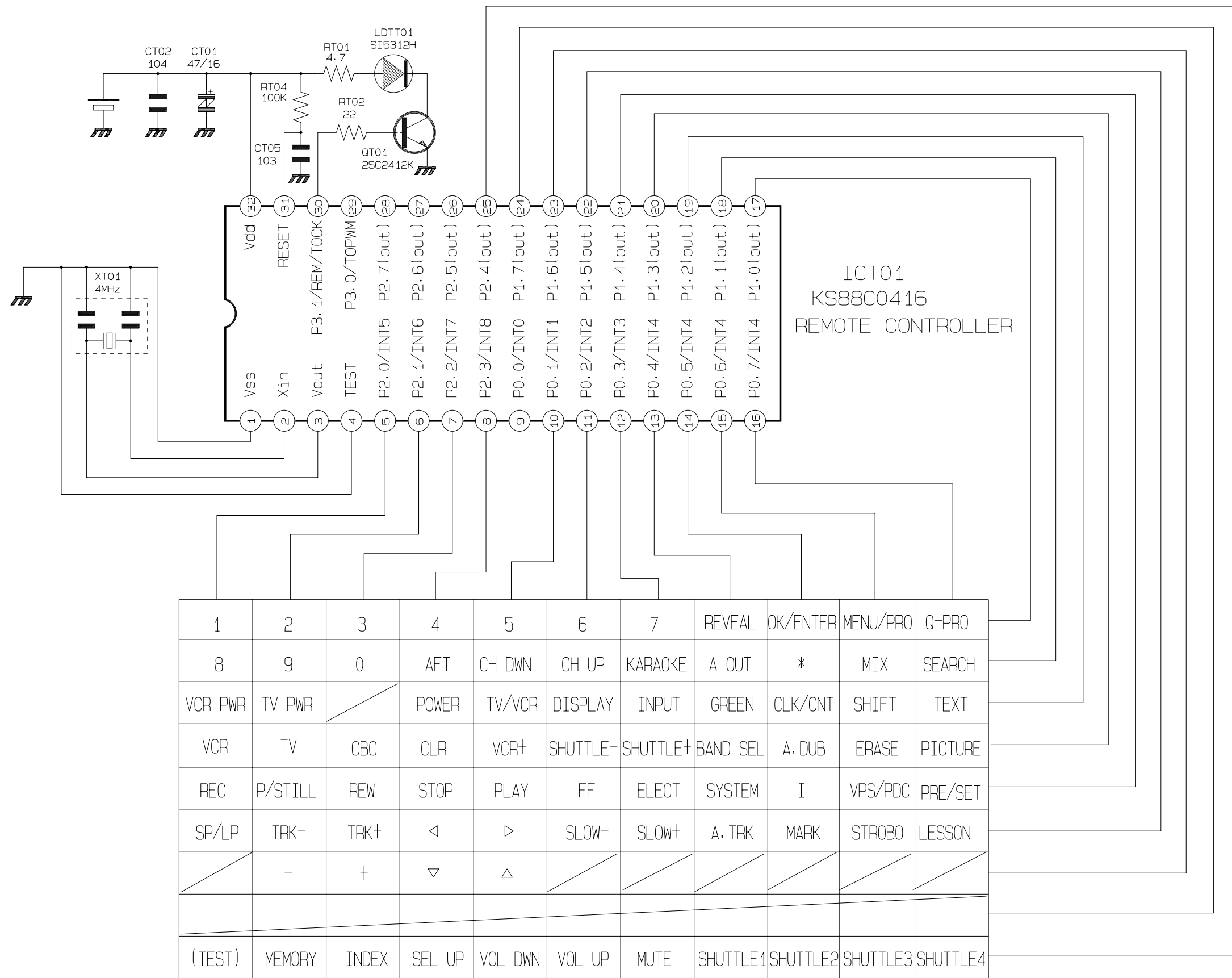
5-13 LED-Single Display (SVR-537)



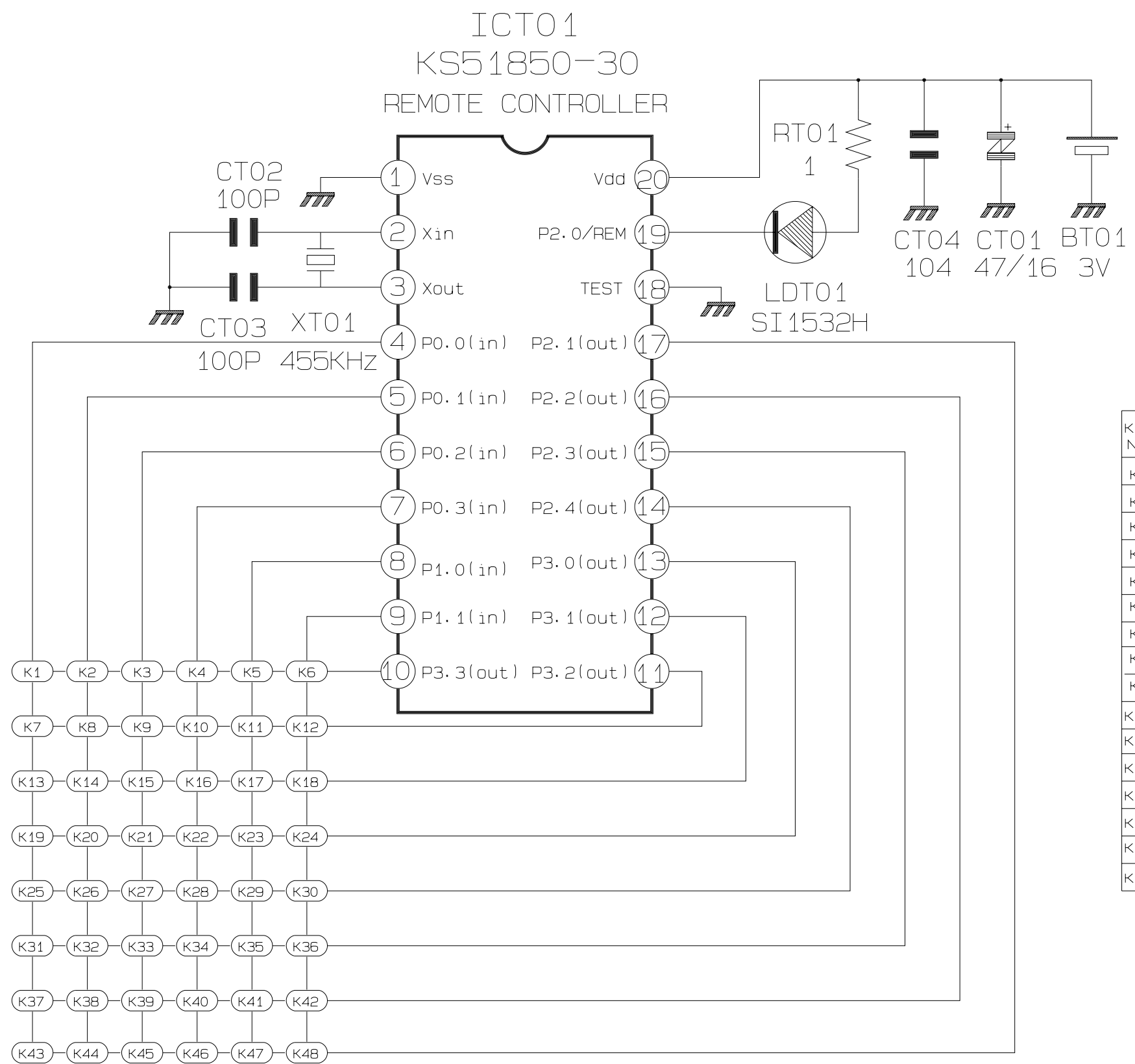
5-14 Front A/V Jack/Shuttle



5-15 Remote-Control (Multi-TV)



5-16 Remote-Control (VCR Only)



KEY NO.	KEY NAME	KEY NO.	KEY NAME	KEY NO.	KEY NAME
K1	VTR/TV	K17	STOP	K33	INDEX
K2	POWER	K18	P/S	K34	TRK+
K3	1	K19	SLOW DOWN	K35	TRK-
K4	2	K20	REW	K36	DUB
K5	3	K21	PLAY	K37	MARK
K6	4	K22	FF	K38	VCR+
K7	5	K23	CLEAR/RESET	K39	CLK/COUNT
K8	6	K24	DISPLAY	K40	SP/LP
K9	7	K25	MENU	K41	Q-PROGRAM
K10	8	K26	EJECT	K42	OK, ENTER
K11	9	K27	ATR	K43	SYSTEM
K12	CH DOWN	K28	OUTPUT SEL	K44	MODE/KARAOKE
K13	0	K29	INPUT SEL	K45	AFT
K14	CH UP	K30	MONITOR	K46	PICTURE
K15	SLOW UP	K31	ERASE	K47	SHUTTLE-
K16	REC/OTR	K32	TEST	K48	SHUTTLE+