



VIDEO CASSETTE RECORDER

SV-A130B

SV-A140B

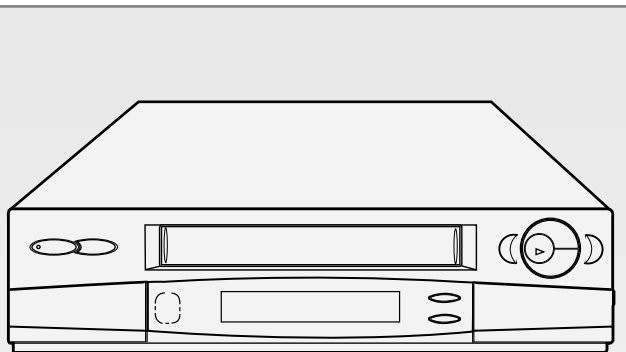


PAL

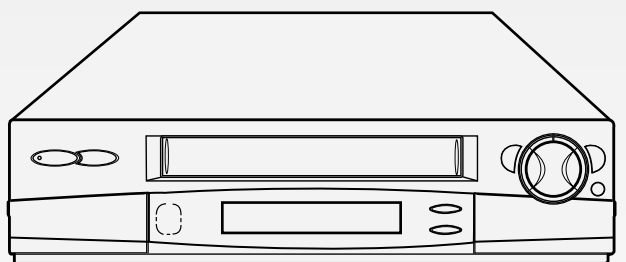
SERVICE Manual

For mechanical disassembly and adjustment, refer to the "Mechanical Manual" (DX7-R/RC, DX8-R/RC → AC68-20316A).

VIDEO CASSETTE RECORDER



SV-A130B



SV-A140B

CONTENTS

1. Precautions
2. Reference Information
3. Product Specifications and Comparison Chart
4. Disassembly and Reassembly
5. Alignment and Adjustment
6. Exploded View and Parts List
7. Electrical Parts List
8. Block Diagrams
9. PCB Diagrams
10. Wiring Diagram
11. Schematic Diagrams

1. Precautions

1. Be sure that all of the built-in protective devices are replaced. Restore any missing protective shields.
2. When reinstalling the chassis and its assemblies, be sure to restore all protective devices, including : control knobs and compartment covers.
3. Make sure that there are no cabinet openings through which people--particularly children --might insert fingers and contact dangerous voltages. Such openings include the spacing between the picture tube and the cabinet mask, excessively wide cabinet ventilation slots, and improperly fitted back covers.

If the measured resistance is less than 1.0 megohm or greater than 5.2 megohms, an abnormality exists that must be corrected before the unit is returned to the customer.

4. Leakage Current Hot Check (See Fig. 1) :
Warning : Do not use an isolation transformer during this test. Use a leakage current tester or a metering system that complies with American National Standards Institute (ANSI C101.1, *Leakage Current for Appliances*), and Underwriters Laboratories (*UL Publication UL1410, 59.7*).
5. With the unit completely reassembled, plug the AC line cord directly the power outlet. With the unit's AC switch first in the ON position and then OFF, measure the current between a known earth ground (metal water pipe, conduit, etc.) and all exposed metal parts, including : antennas, handle brackets, metal cabinets, screwheads and control shafts. The current measured should not exceed 0.5 milliamp. Reverse the power-plug prongs in the AC outlet and repeat the test.
6. X-ray Limits :
The picture tube is designed to prohibit X-ray emissions. To ensure continued X-ray protection, replace the picture tube only with one that is the same type as the original.

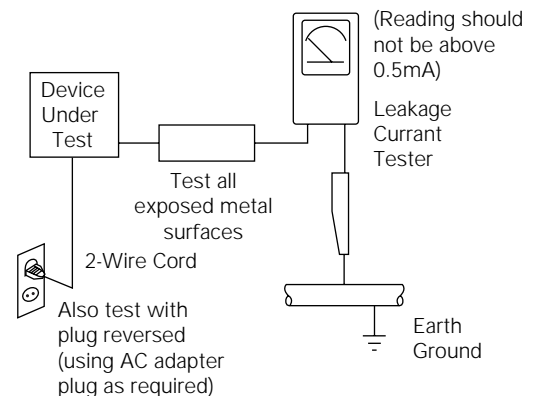


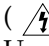
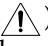
Fig. 1-1 AC Leakage Test

7. Antenna Cold Check :
With the unit's AC plug disconnected from the AC source, connect an electrical jumper across the two AC prongs. Connect one lead of the ohmmeter to an AC prong. Connect the other lead to the coaxial connector.
8. High Voltage Limit :
High voltage must be measured each time servicing is done on the B+, horizontal deflection or high voltage circuits.

Heed the high voltage limits. These include the *X-ray protection Specifications Label*, and the *Product Safety and X-ray Warning Note* on the service data schematic.
9. Some semiconductor ("solid state") devices are easily damaged by static electricity. Such components are called Electrostatically Sensitive Devices (ESDs); examples include integrated circuits and some field-effect transistors. The following techniques will reduce the occurrence of component damage caused by static electricity.
10. Immediately before handling sny semiconductor components or assemblies, drain the electrostatic charge from your body by touching a known earth ground. Alternatively, wear a discharging Wrist-strap device. (Be sure to remove it prior to applying power--this is an electric shock precaution.)

11. High voltage is maintained within specified limits by close-tolerance, safety-related components and adjustments. If the high voltage exceeds the specified limits, check each of the special components.
12. Design Alteration Warning :
Never alter or add to the mechanical or electrical design of this unit. Example : Do not add auxiliary audio or video connectors. Such alterations might create a safety hazard. Also, any design changes or additions will void the manufacturer's warranty.
13. Hot Chassis Warning :
Some TV receiver chassis are electrically connected directly to one conductor of the AC power cord. If an isolation transformer is not used, these units may be safely serviced only if the AC power plug is inserted so that the chassis is connected to the ground side of the AC source.

To confirm that the AC power plug is inserted correctly, do the following : Using an AC voltmeter, measure the voltage between the chassis and a known earth ground. If the reading is greater than 1.0V, remove the AC power plug, reverse its polarity and reinsert. Re-measure the voltage between the chassis and ground.
14. Some TV chassis are designed to operate with 85 volts AC between chassis and ground, *regardless of the AC plug polarity*. These units can be safely serviced *only* if an isolation transformer inserted between the receiver and the power source.
15. Never defeat any of the B+ voltage interlocks.
Do not apply AC power to the unit (or any of its assemblies) unless all solid-state heat sinks are correctly installed.
16. Always connect a test instrument's ground lead to the instrument chassis ground *before* connecting the positive lead; always remove the instrument's ground lead last.
17. Observe the original lead dress, especially near the following areas : Antenna wiring, sharp edges, and especially the AC and high voltage power supplies. Always inspect for pinched, out-of-place, or frayed wiring. Do not change the spacing between components and the printed circuit board. Check the AC power cord for damage. Make sure that leads and components do not touch thermally hot parts.
18. Picture Tube Implosion Warning :
The picture tube in this receiver employs "integral implosion" protection. To ensure continued implosion protection, make sure that the replacement picture tube is the same as the original.
19. Do not remove, install or handle the picture tube without first putting on shatterproof goggles equipped with side shields. Never handle the picture tube by its neck. Some "in-line" picture tubes are equipped with a permanently attached deflection yoke; do not try to remove such "permanently attached" yokes from the picture tube.
20. Product Safety Notice :
Some electrical and mechanical parts have special safety-related characteristics which might not be obvious from visual inspection. These safety features and the protection they give might be lost if the replacement component differs from the original—even if the replacement is rated for higher voltage, wattage, etc.

Components that are critical for safety are indicated in the circuit diagram by shading, ( or ).
Use replacement components that have the same ratings, especially for flame resistance and dielectric strength specifications. A replacement part that does not have the same safety characteristics as the original might create shock, fire or other hazards.

2. Reference Information

2-1 Servicing Jigs and Special Tools

2-1-1 Servicing guide

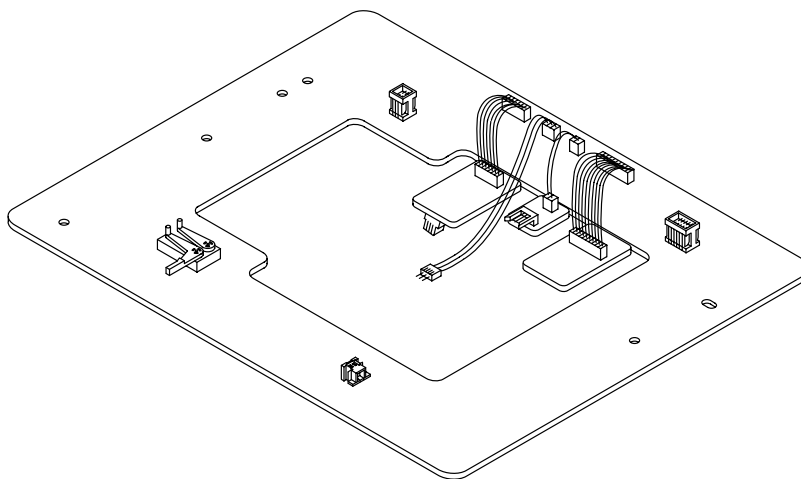
1. For this VCR chassis, the program switch and the sensors (start/end/reel) are located on the main PCB, not on the deck ass'y.
2. As long as the deck ass'y is connected to the main PCB, all repairs are possible.
Important : In order to repair the main PCB without the deck ass'y connected, the X-5 chassis jig should be used.
3. To emulate the function of the sensors, connect a jumper or solder land (two point) at service option(W750) on the function-timer PCB.
4. The X-5 chassis jig can be used for the following :
 - 1) When repairing or confirming the operation of the deck ass'y.
 - 2) When replacing or repairing the components located under the deck ass'y.
 - 3) When repairing the function PCB.
5. The X-5 chassis jig can not be used for the following :
 - 1) Repairing defects in the video section.
 - 2) Repairing defects in the audio section.
 - 3) If the defect is related to tape speed.

Note :

- 1) Repair may not be possible if there is external noise between the deck ass'y and main PCB.
- 2) If tape control signal is not connected to the jig, the VCR must be operated in SP mode.

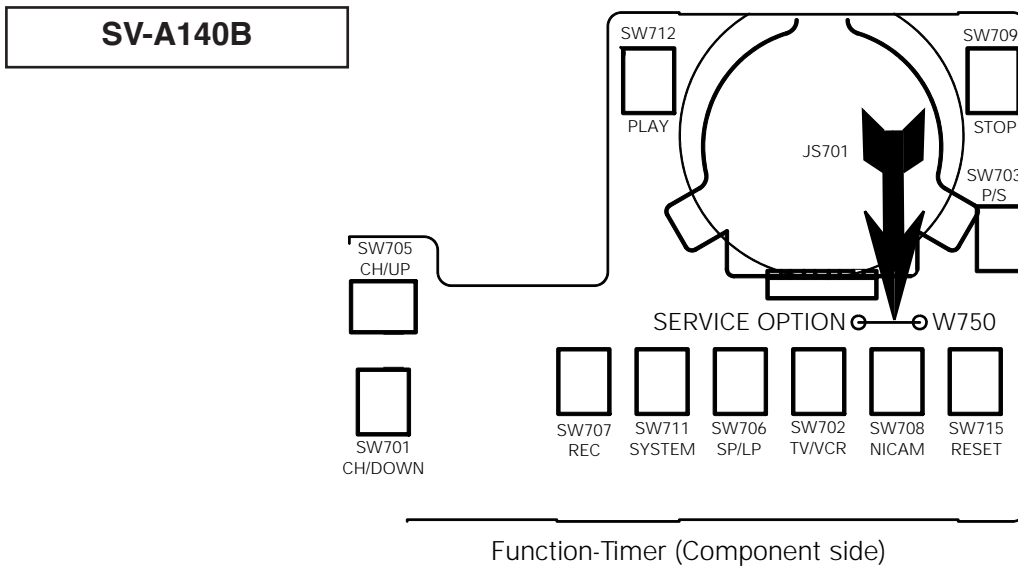
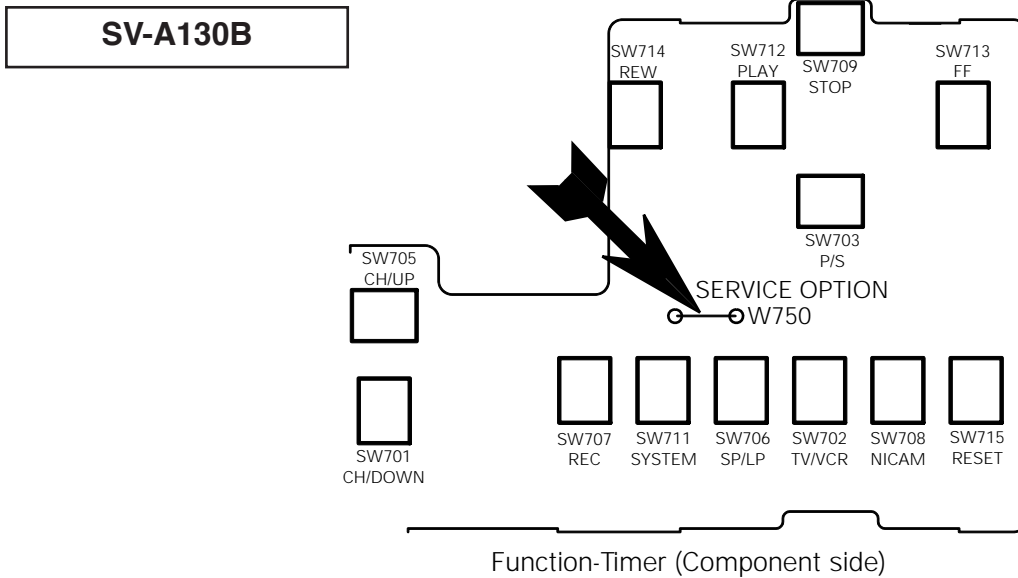
2-1-2 Servicing Jig

Jig Item	Part No.	Use
X-5 Chassis Jig	68140-500-013	Connects the deck ass'y to the main PCB connecting cable.



2-1-4 How to Connect X-5 chassis jig

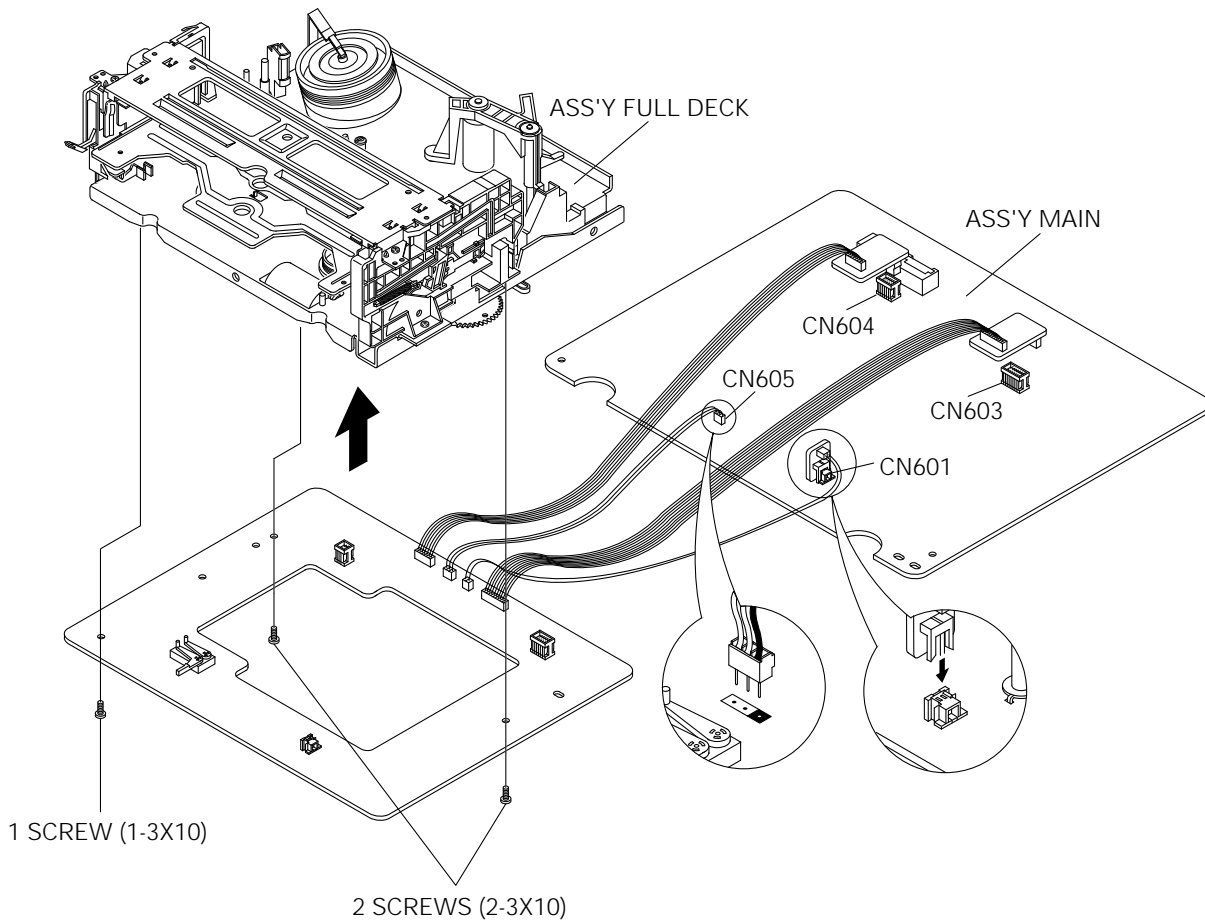
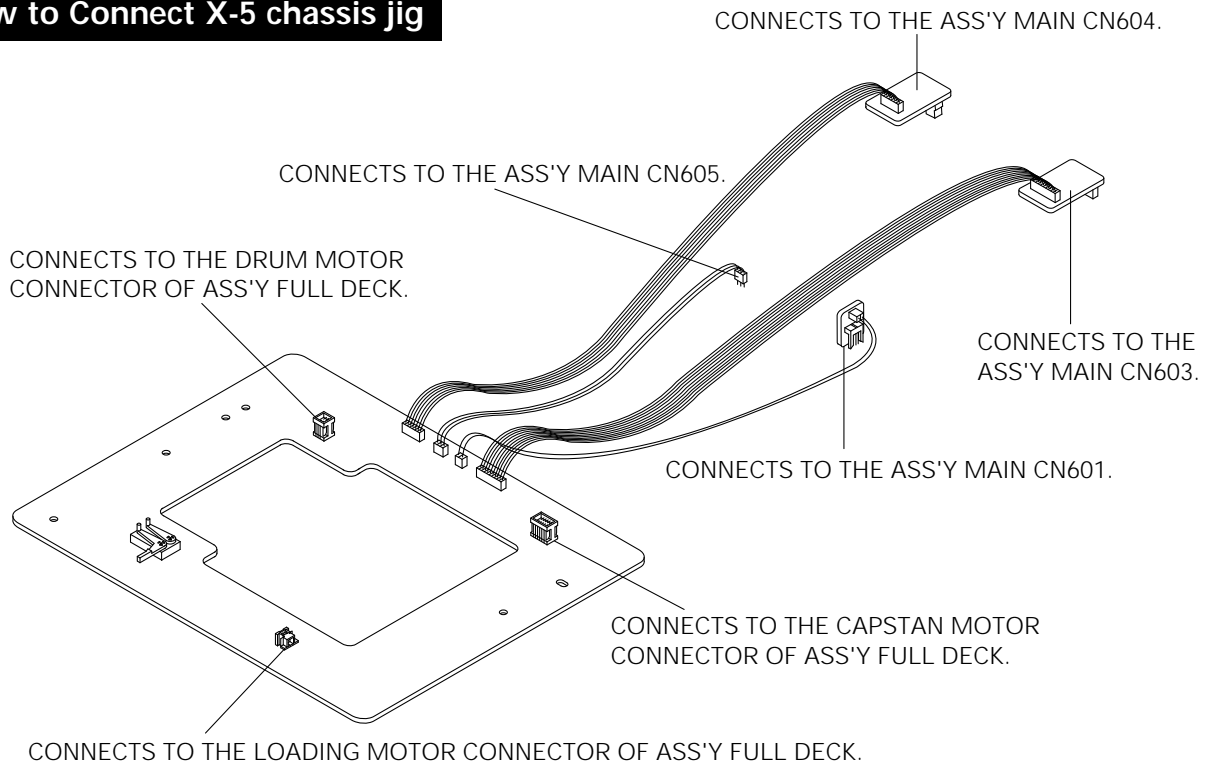
1. Unplug the power cord from AC outlet.
2. Remove the deck ass'y from main PCB (See Page 4-5 of service manual).
3. To emulate the function of the sensors, place a jumper or solder land (two point) at service option(W750) on the function-timer PCB. (see diagram below).



Note : After completing repairs, SW715 on the function PCB in order to reset.

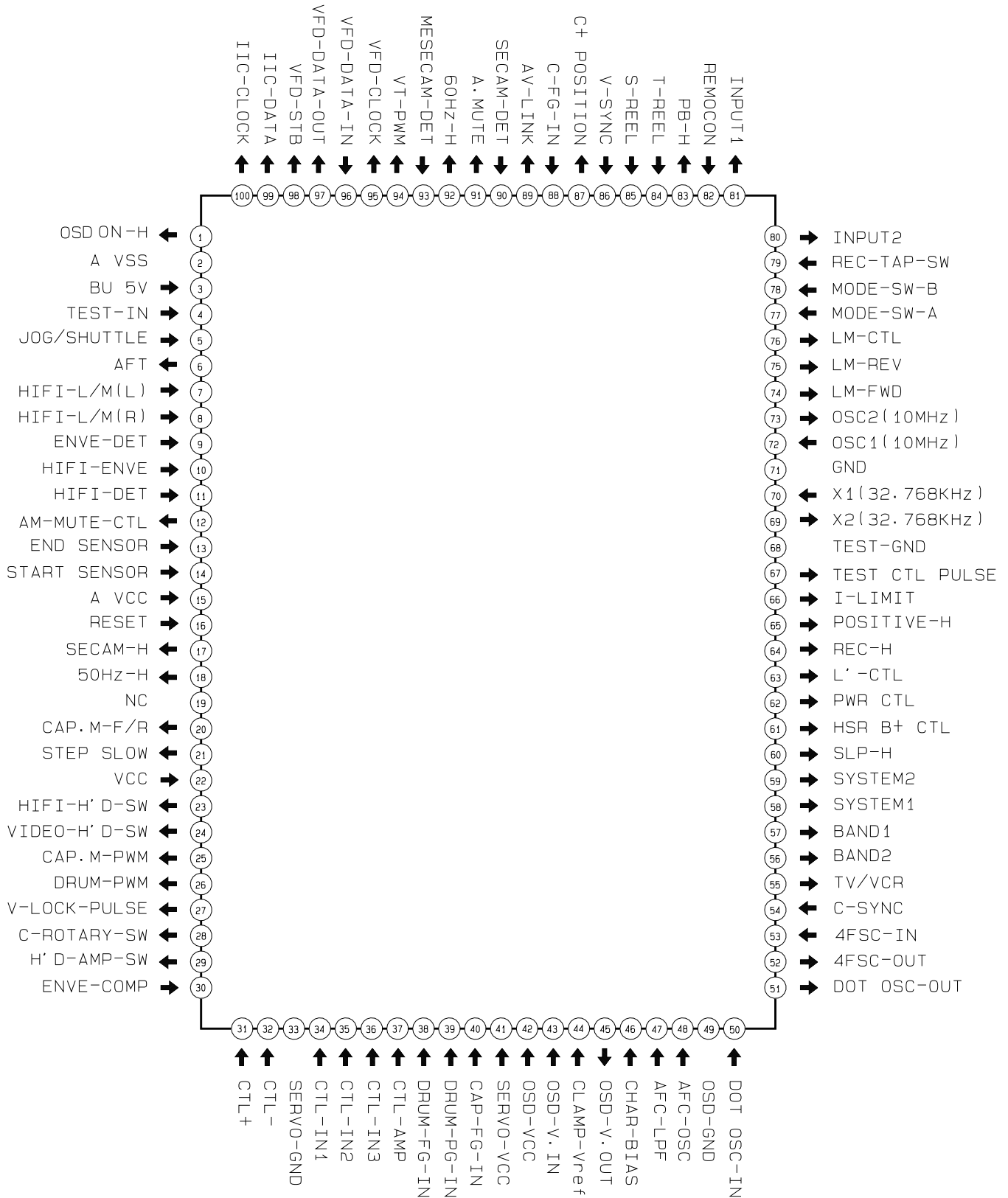
4. Insert wafers of drum motor, capstan motor and loading motor on X-5 chassis jig into each of the connectors of deck ass'y, and then secure with three screws.
5. Solder the 3 leads of the jig cable to "CN605" on the main PCB.
6. Apply power to the function PCB.
7. Insert a test tape into the housing ass'y.
8. Simultaneously touch the start and end sensor LEDs on the PCB, so that the tape loads automatically. After the tape is loaded, all of the function buttons on the function PCB can be used.
9. If the test tape is ejected while the jig is in use, attempt to re-load the tape by simultaneously touching the start and end sensor LEDs. If the tape still does not load, reset the function PCB by pressing SW715.

How to Connect X-5 chassis jig

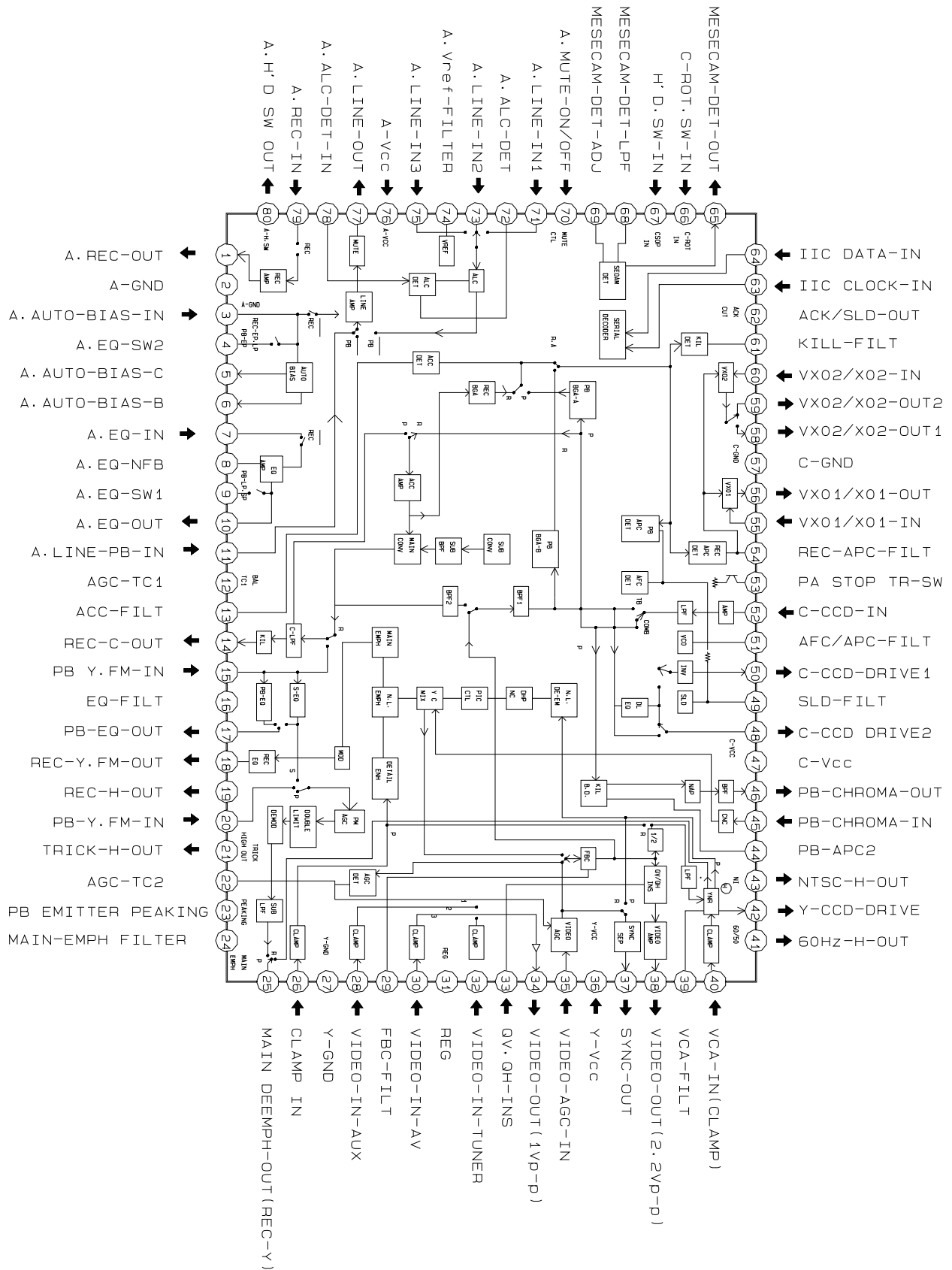


2-2 IC BLOCK

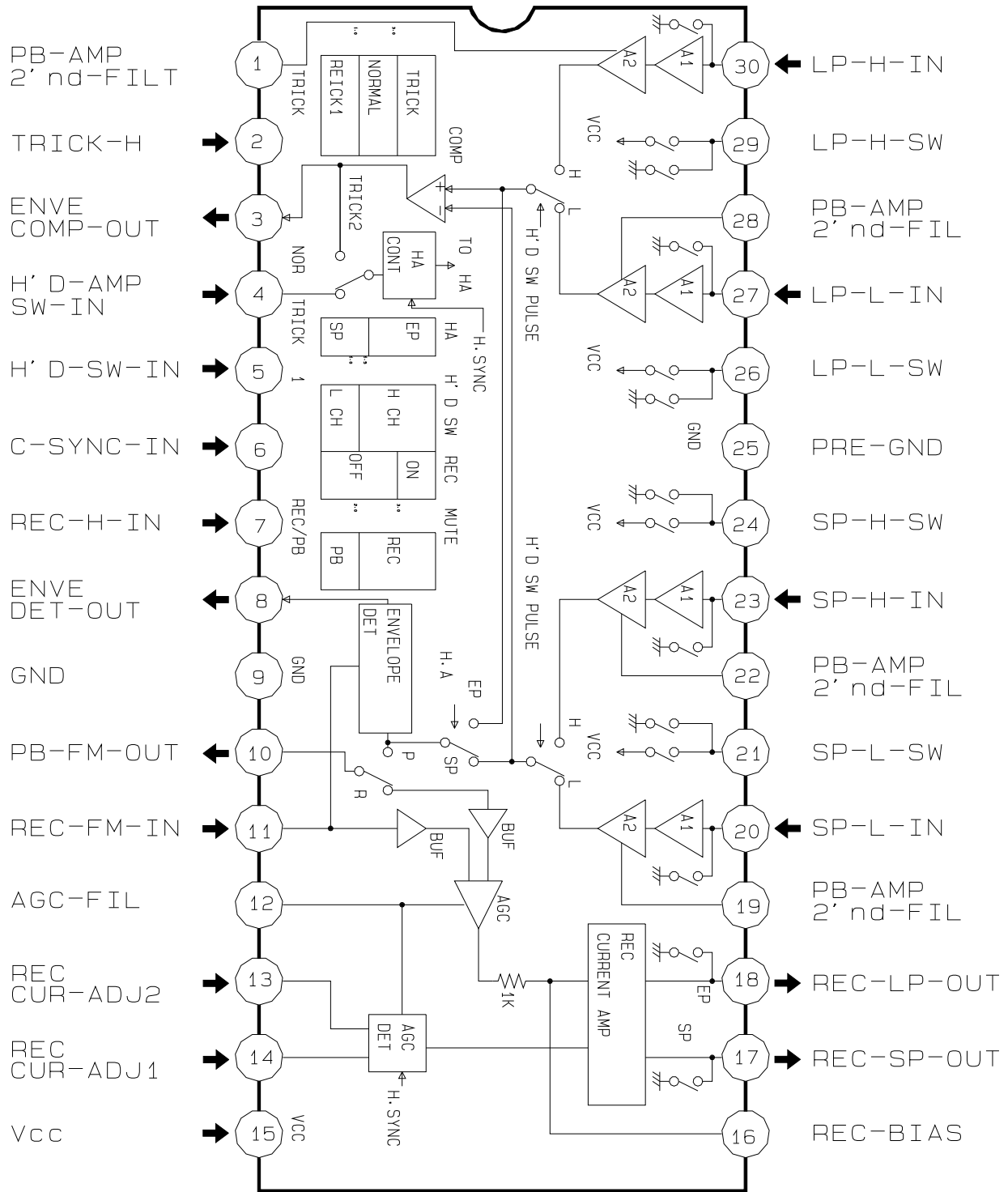
2-2-1 IC601 (HD6473977)



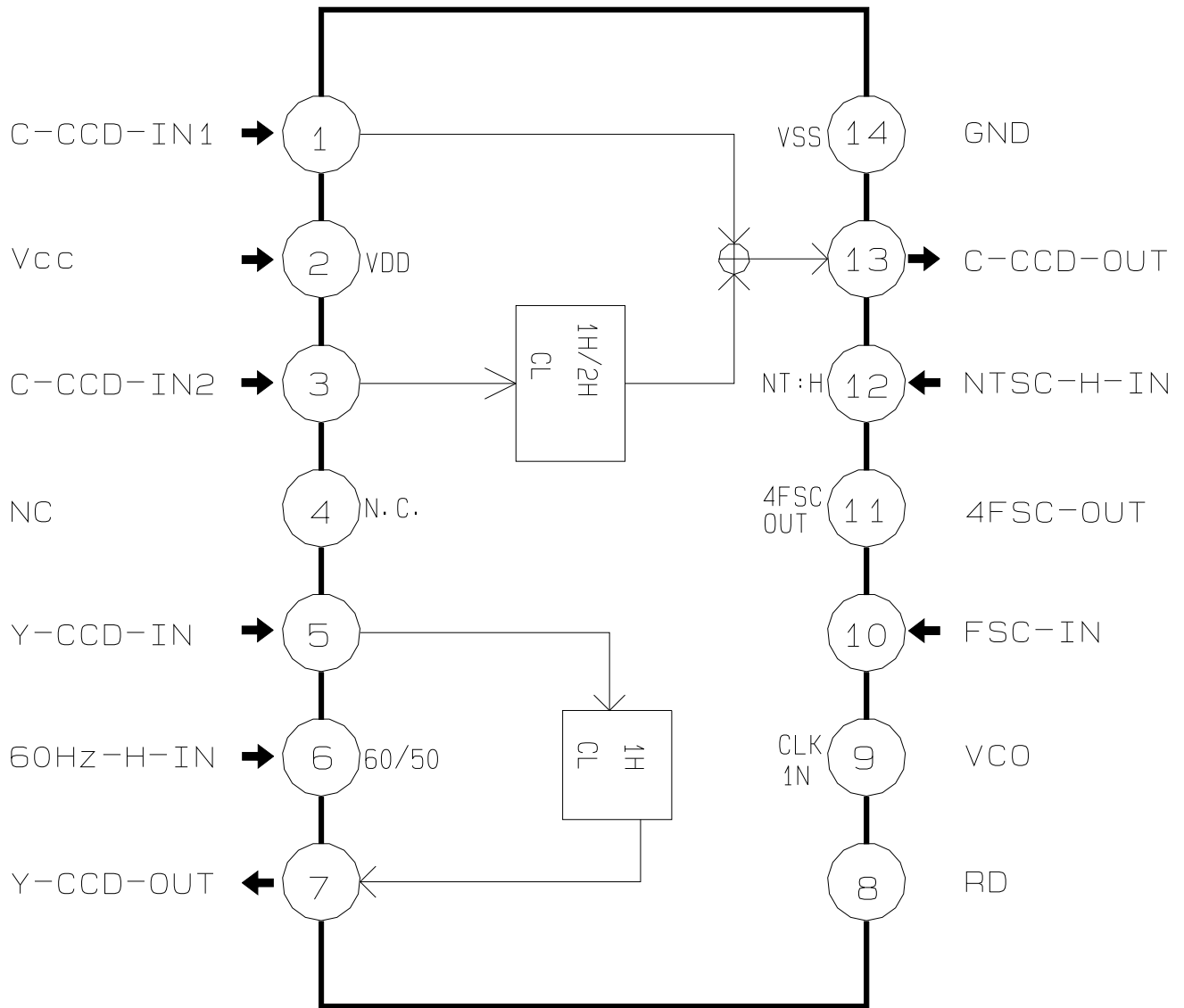
2-2-2 IC301 (SS11511M)



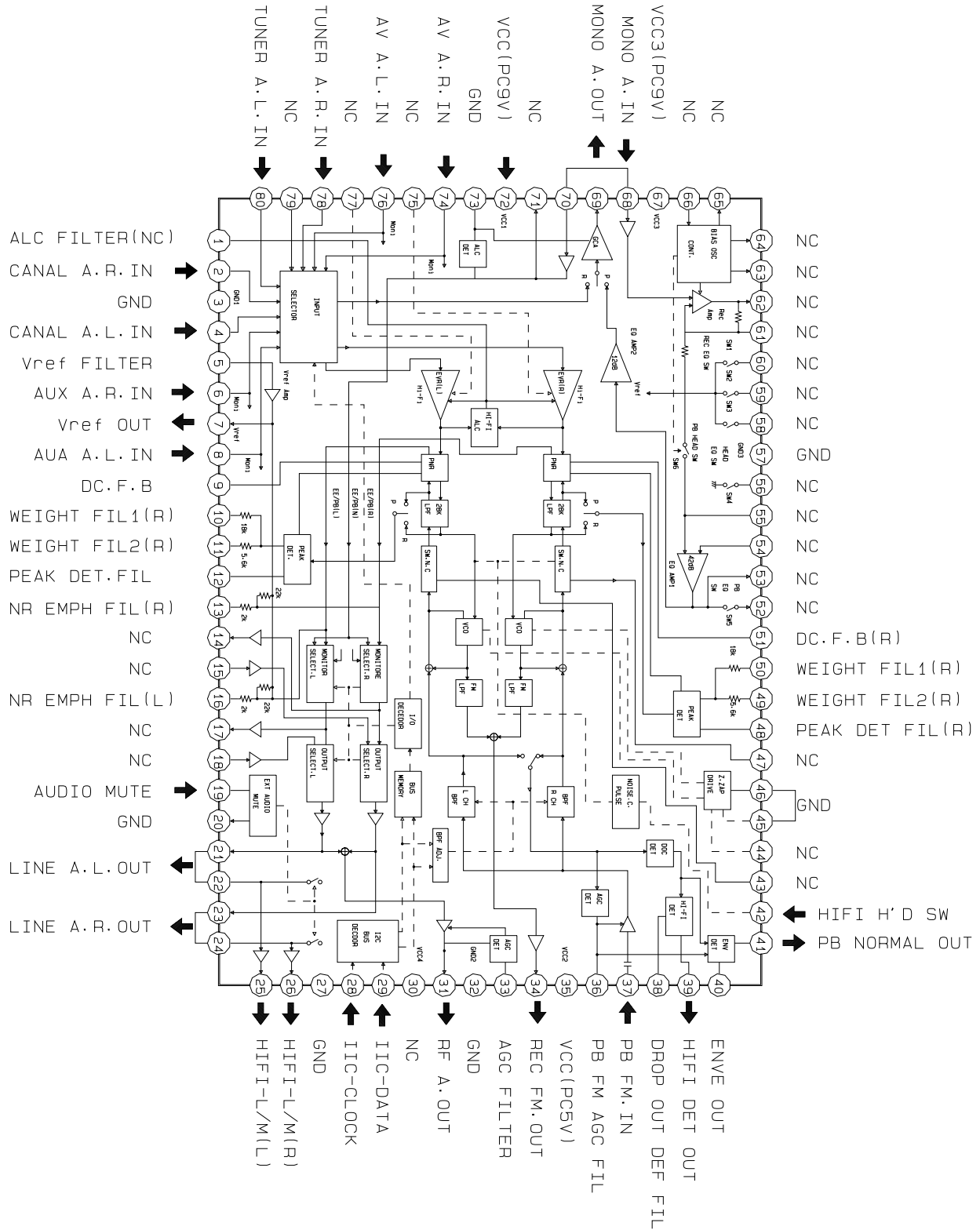
2-2-3 IC302 (LA7416)



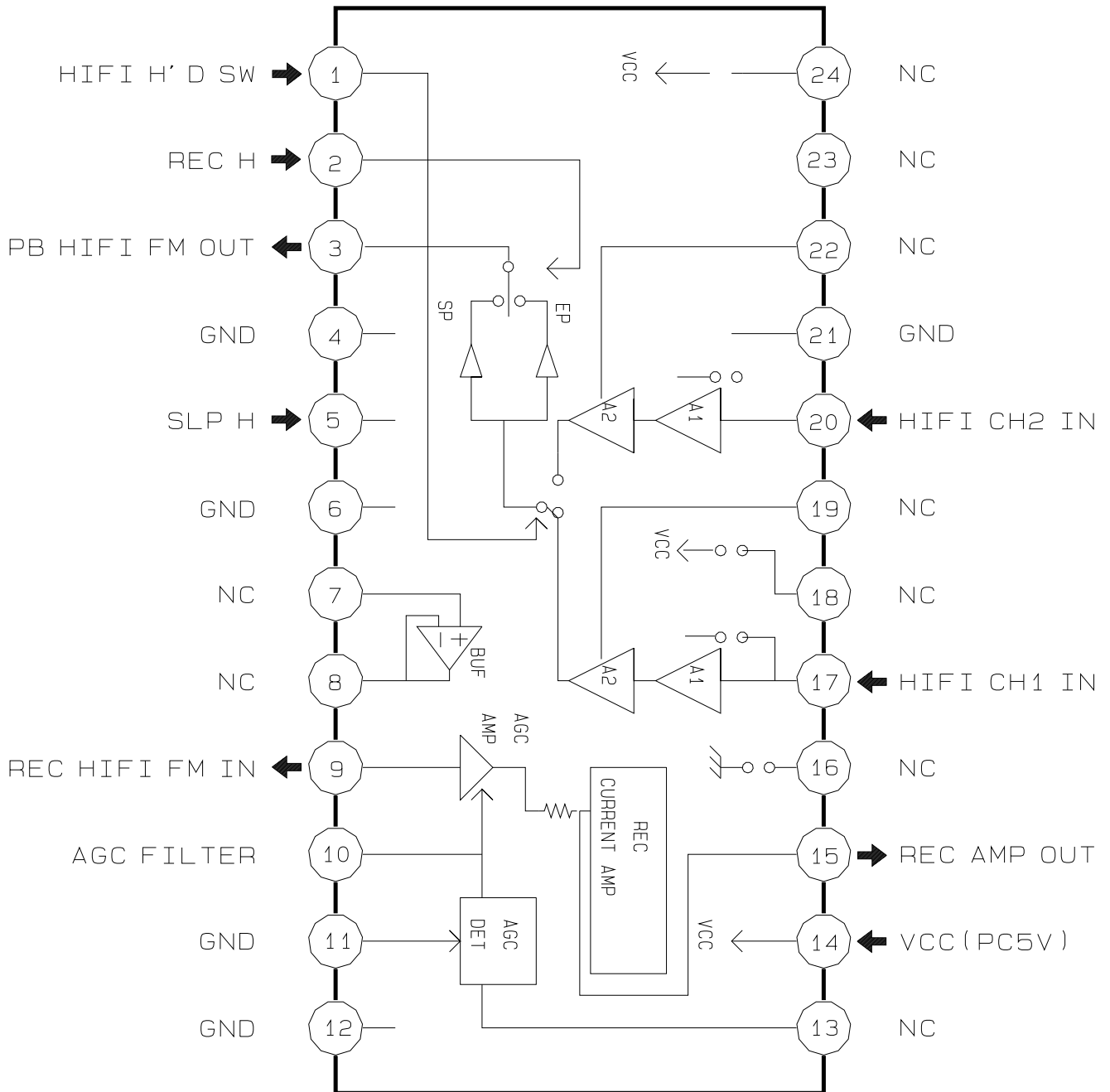
2-2-4 IC303 (SS23377M)



2-2-5 IC501 (TA1264)



2-2-6 IC502 (LA7256)



MEMO

3. Product Specifications and Comparison Chart

3-1 Product Specifications

Design and specifications are subject to change without notice.

Operation	Description
Format	VHS PAL standard
Heads	Video : 4 rotary heads Hi-Fi audio : 2 rotary heads Audio/Control : 1 stationary head Erase : 1 full track erase head
Receiving channel	VHF-I, VHF-III, UHF, Interband/Hyperband
Television system	STANDARD B/B
Luminance	FM azimuth recording
Colour system	PAL : Down converted subcarrier phase shifted direct recording NTSC PB on PAL TV
Tape speed	SP : 23.39 mm/sec LP : 11.69 mm/sec
Recording/playback time	SP : 3 hours (E-180 Tape) LP : 6 hours (E-180 Tape)
F.F/REW time	About 100-190 sec in REW/F.F with E-180
VIDEO	
Input Output Signal-to-noise ratio Horizontal resolution	0.5 to 2.0 Vp-p : 75 ohm unbalanced 1.0 ± 0.2 Vp-p : 75 ohm unbalanced Better than 43 dB (SP) More than 240 lines (SP)
Audio	
Input Output Wow and flutter (WTD) Signal-to-noise ratio Frequency response	-8 dBm, 47 Kohm unbalanced -8 ± 3 dBm, 1 Kohm unbalanced 0.4% max (SP) 68 dB min (IHF A filter) 20Hz-20KHz
Power requirement	100~240V (AC 50/60 Hz)
Power consumption	Approx. 21 watts
Operation temperature	41°F-104°F (5°C-40°C)
Operation humidity	10%-75%
Weight	4.4 Kg (net)
Dimensions (W x H x D)	380 x 90.5 x 310 mm

3-2 Comparison Chart

FUNCTION MODEL	SHUTTLE	AUDIO DUBBING	A2	G-CODE	DLC	FRONT AV	REAR JACK	REMOCON TYPE
SV-A130B	X	O	O	O	X	O	RCA	NORMAL
SV-A140B	O	O	O	O	O	O	RCA	MULTI

4. Disassembly and Reassembly

4-1 Cabinet Assembly

Note : Disassemble in the order shown.
Reassemble in reverse order.

4-1-1 Cabinet Top removal

1. Remove 5 screws and slide the top cabinet to the rear to remove.

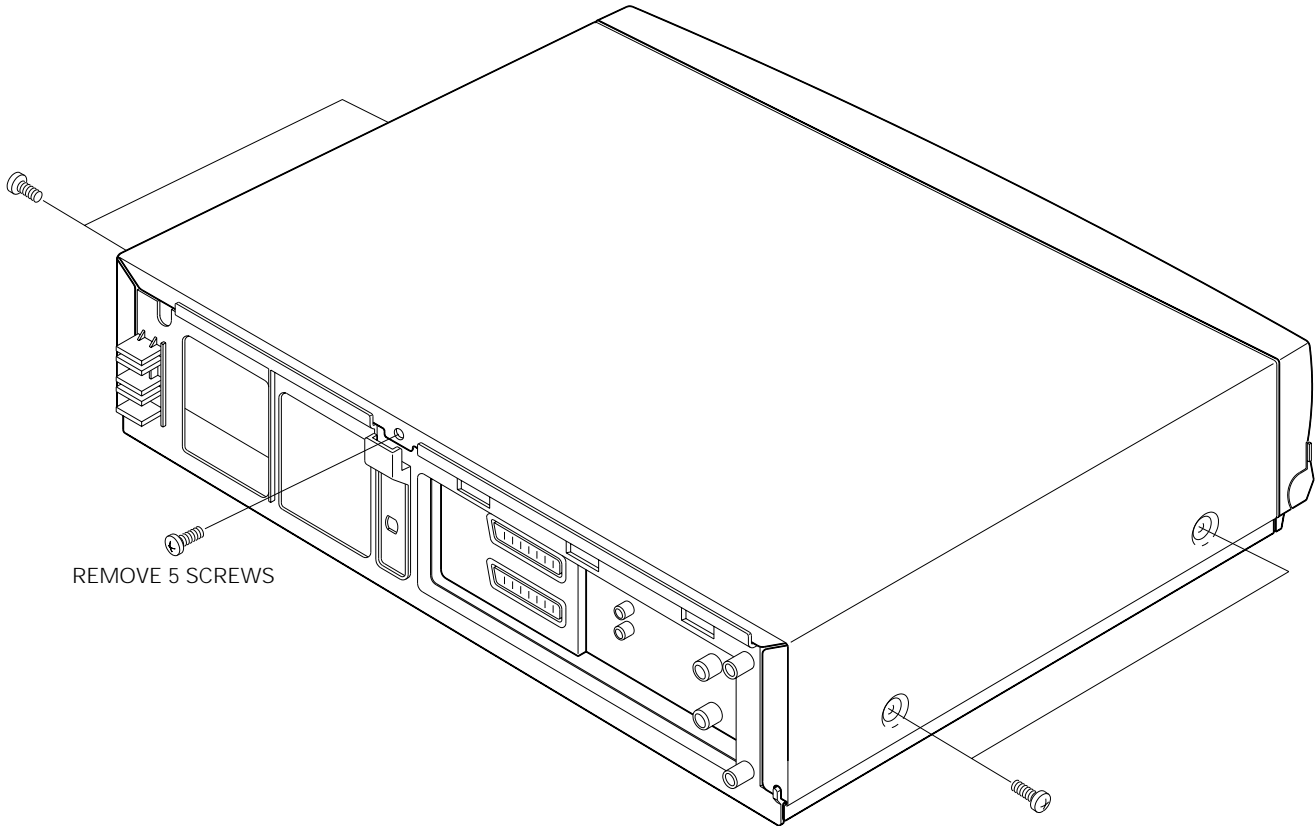
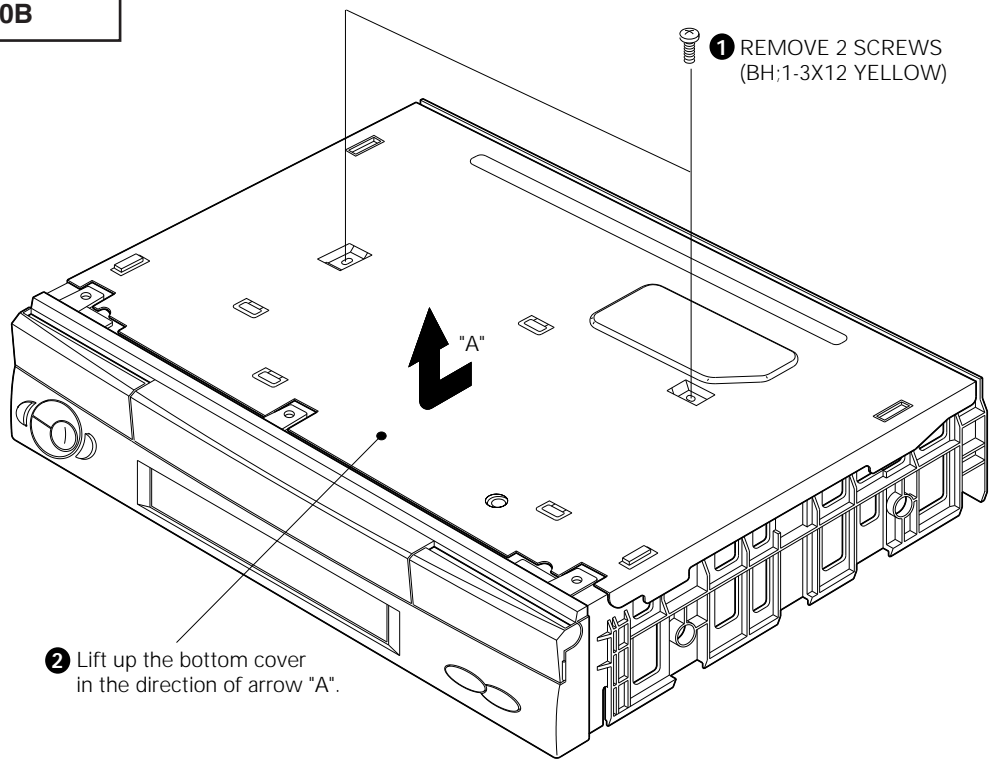


Fig. 4-1 Cabinet Top removal

4-1-2 Bottom cover removal

1. Remove 2 screws.
2. Lift up the bottom cover toward arrow "A".

SV-A130B



SV-A140B

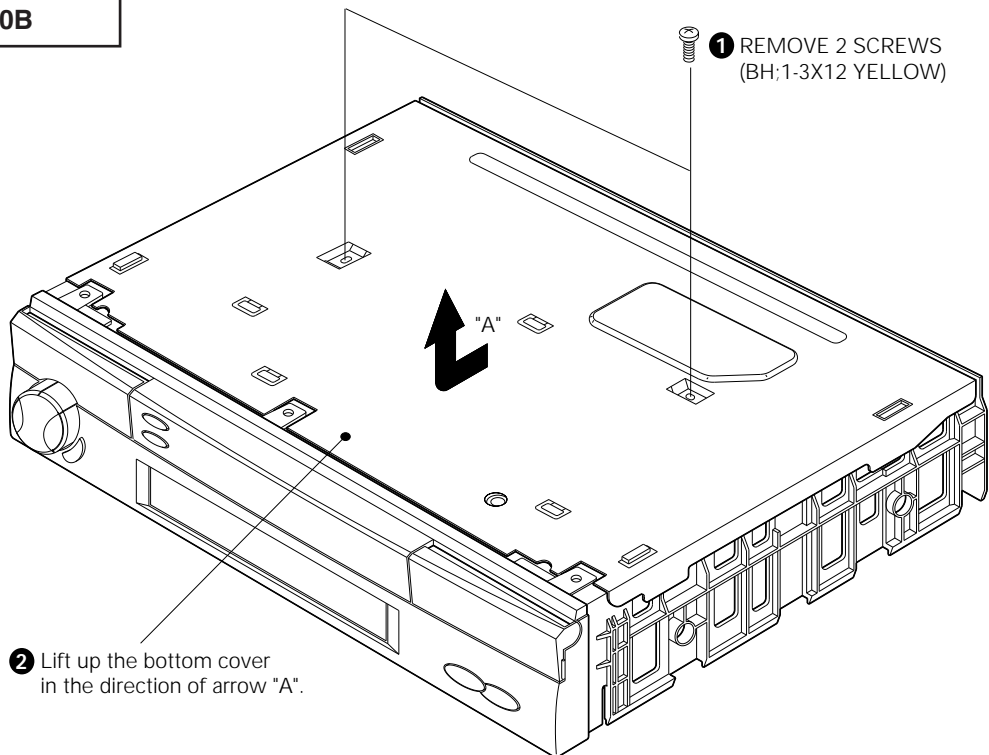


Fig. 4-2 Bottom Cover removal

4-1-3 Ass'y Front Panel removal

1. Remove the knob-shuttle.
2. Release 4 hooks on the top side and 3 hooks on the bottom side and then, pull the ass'y front panel to remove.

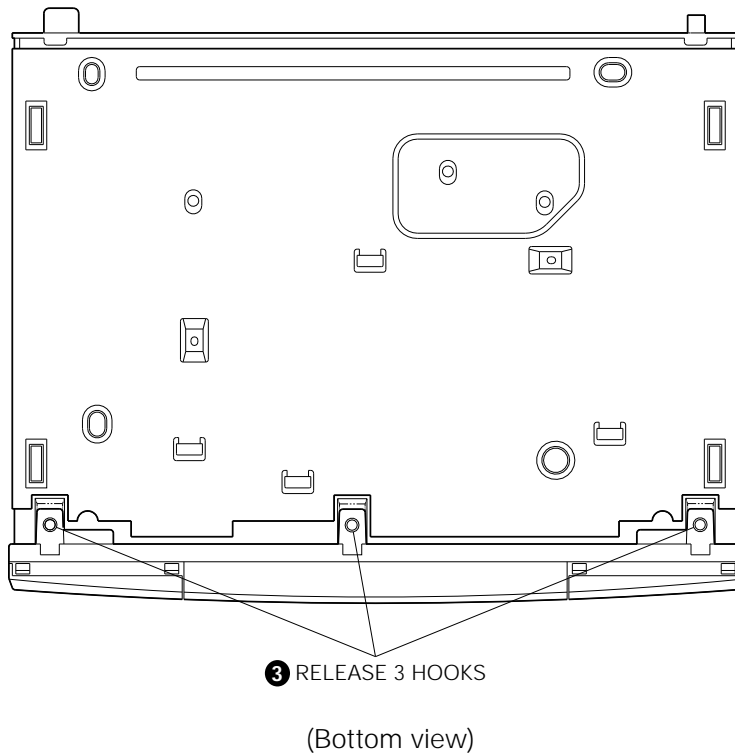
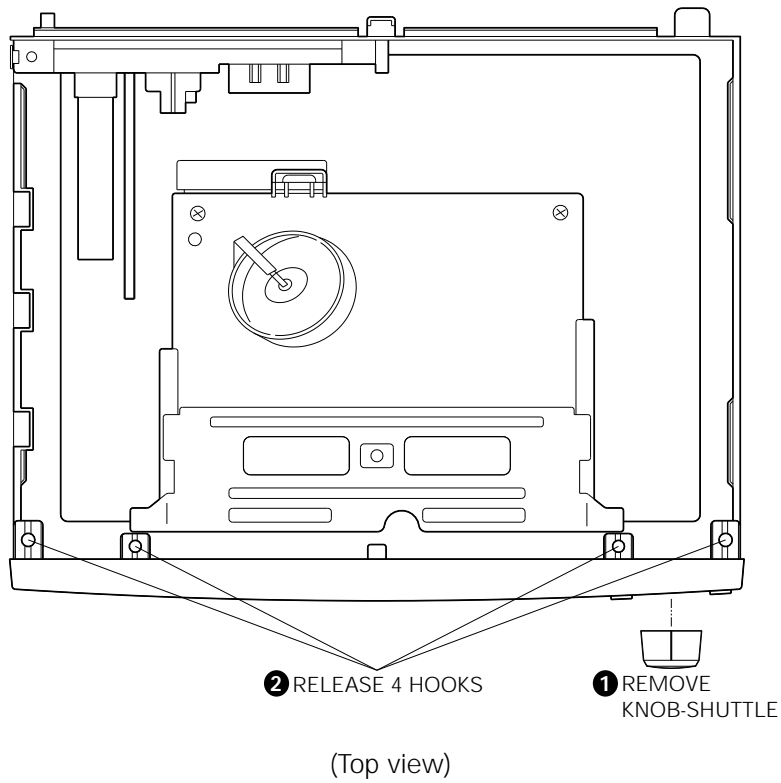


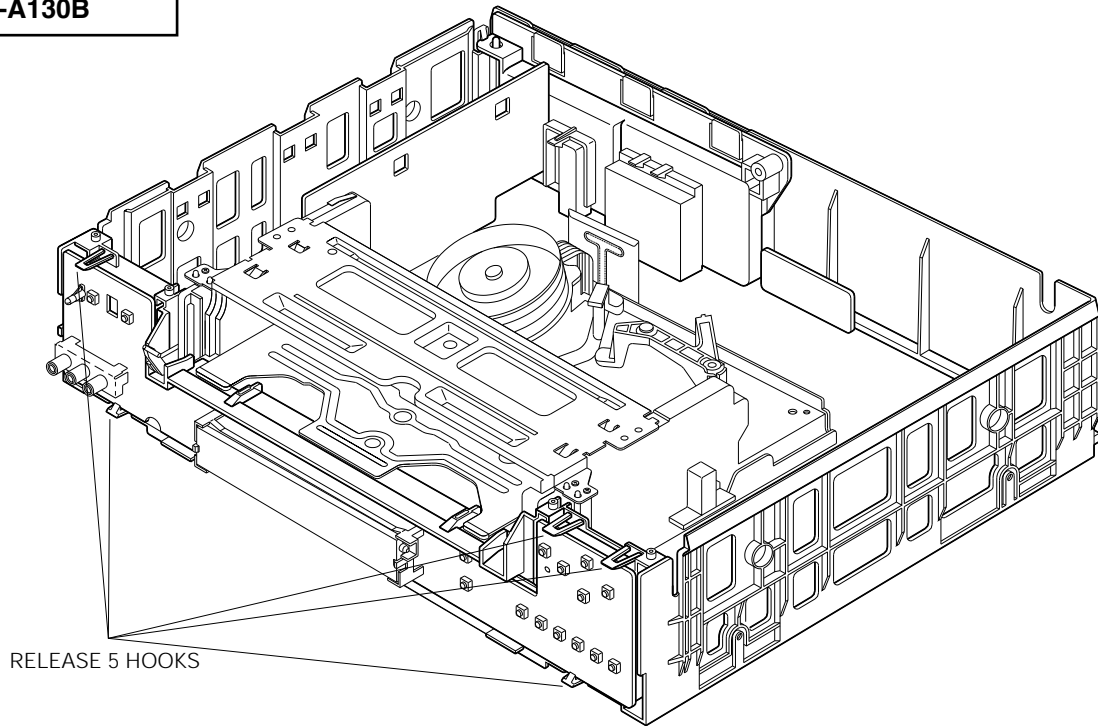
Fig. 4-3 Ass'y Front Panel removal

4-1-4 Ass'y Function-Timer removal

1. Release 5 hooks and remove the ass'y function-timder.

Note : Take extreme care not to damage the PCB when removing it.

SV-A130B



SV-A140B

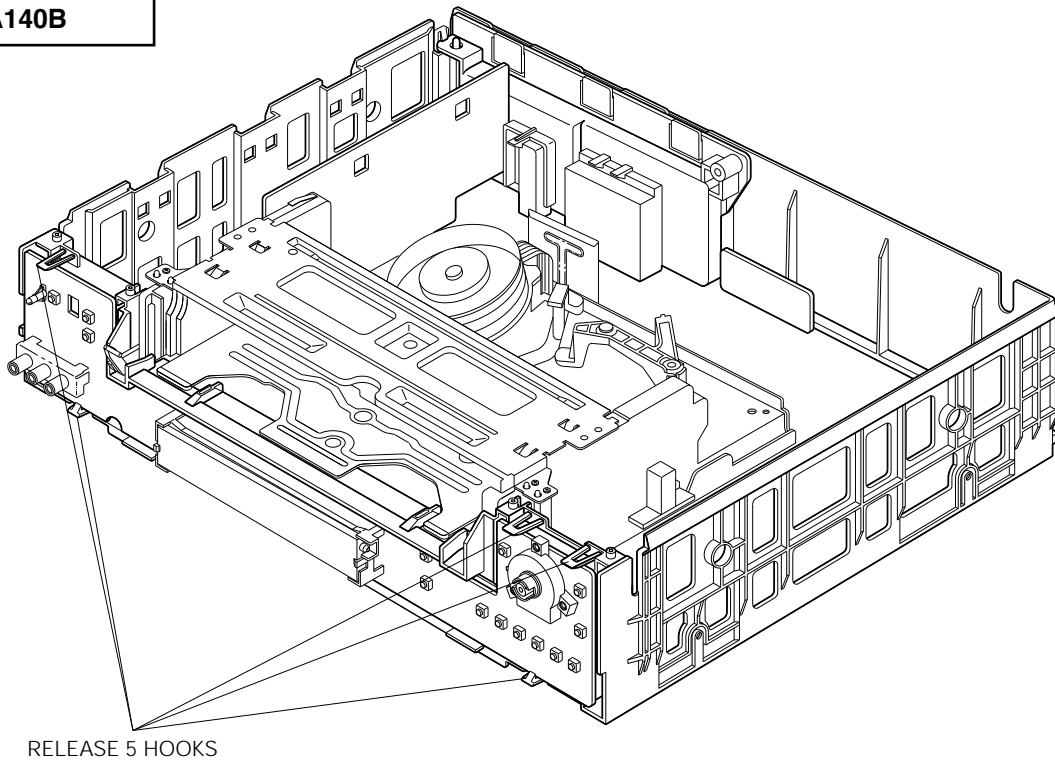


Fig. 4-4 Ass'y Function-Timer removal

4-1-5 Chassis removal

1. Remove 2 screws holding the bottom cover.
2. Remove 2 screws holding the frame.
3. Remove 2 screws holding the housing ass'y.
4. Remove 2 screws holding the ass'y full deck.
5. Lift the ass'y full deck up.
6. Release 1 tab holding the connector board ass'y.
7. Release 1 hook holding the ass'y main.
8. Lift the ass'y main up to remove.

Note : 1. When removing chassis, take extreme care not to damage the main PCB front.
2. When reinstalling the deck on the main PCB, take extreme care not to damage the sensor.

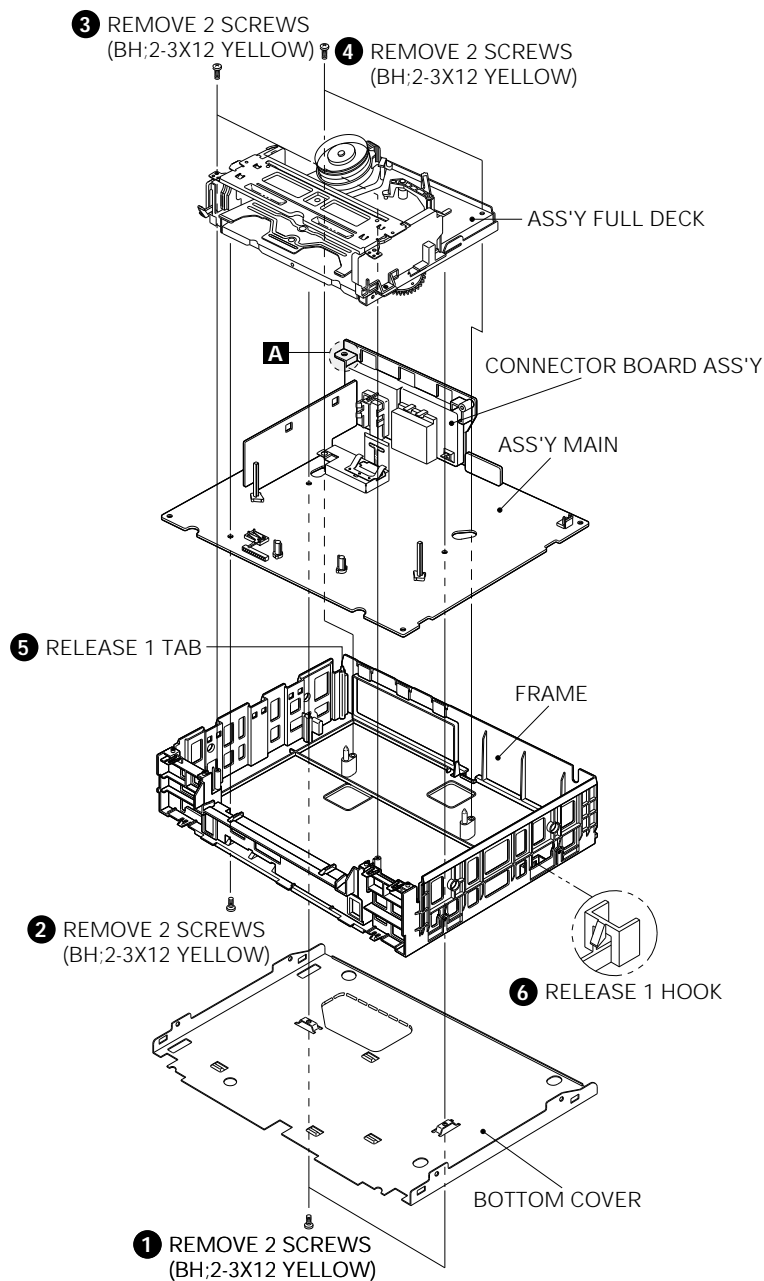


Fig. 4-5 Chassis Removal

4-2 Circuit Board Locations

SV-A130B

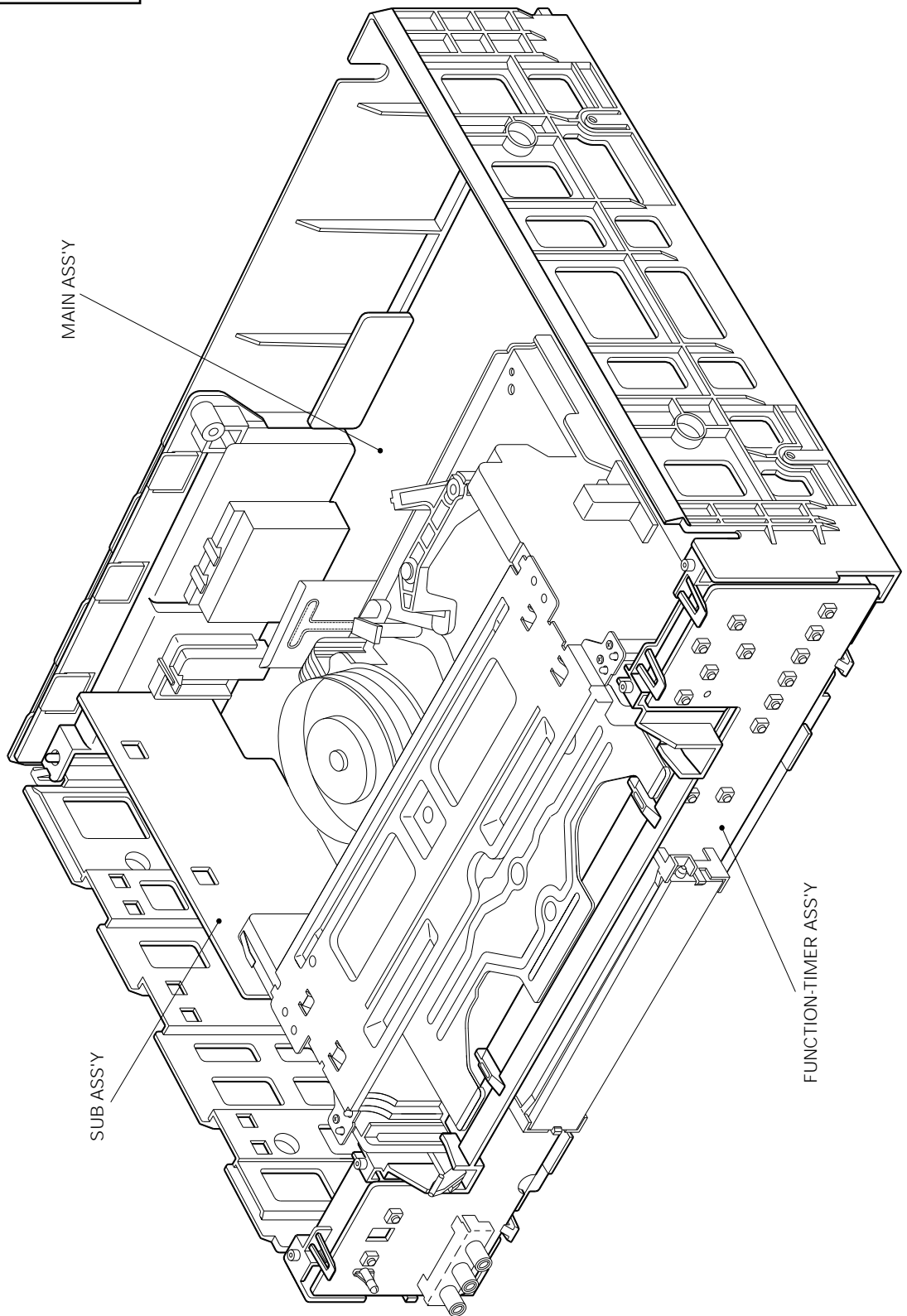


Fig. 4-6 Circuit Board Locations (SV-A130B)

SV-A140B

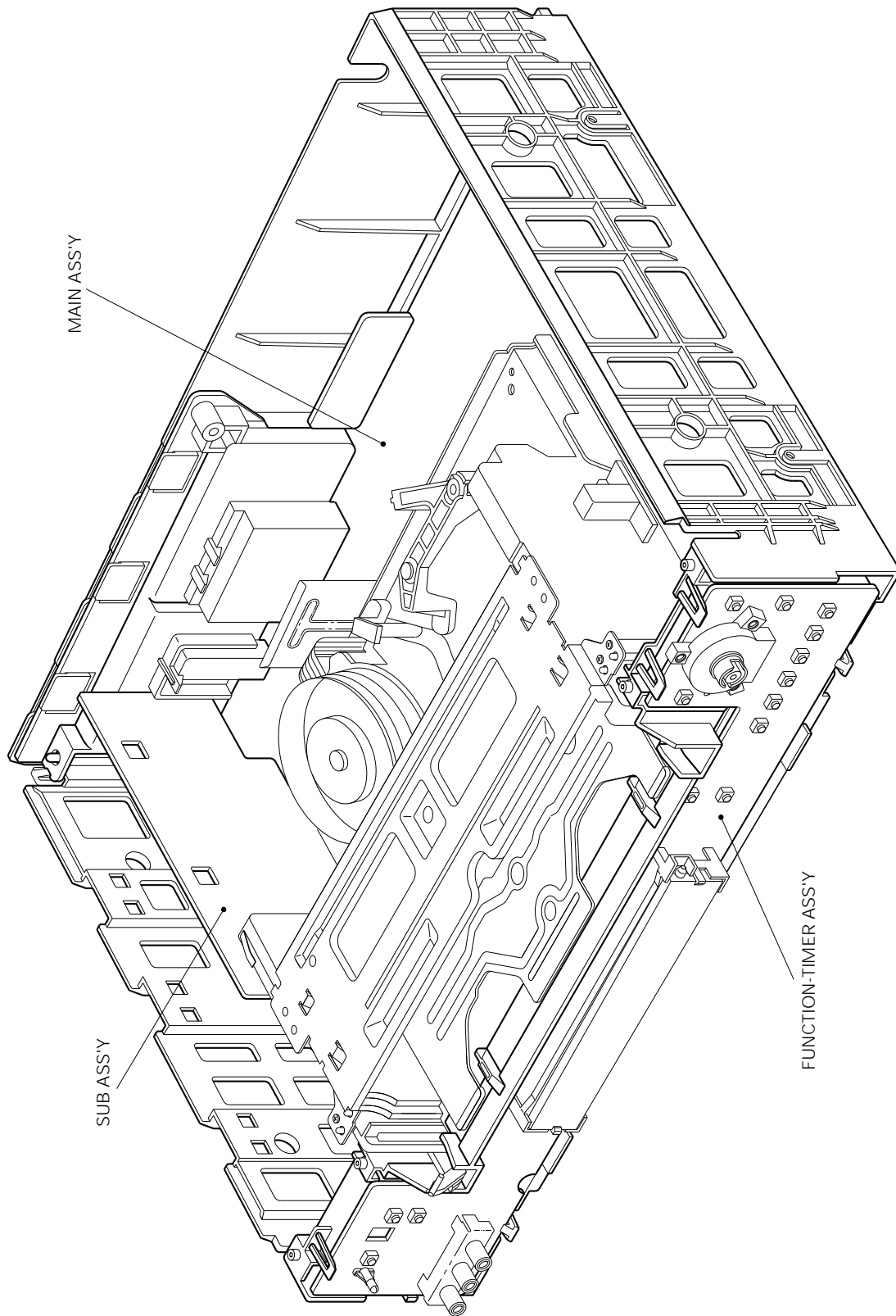


Fig. 4-6 Circuit Board Locations (SV-A140B)

MEMO

5. Alignment and Adjustment

Note : After replacing the ass'y full deck, the ass'y main, the cylinder ass'y and the micom(IC601), the remote control ass'y can be used to adjust the "X-point (tracking center) adjustment" and "Head S/W point" adjustment.

5-1 Reference

5-1-1 The type of remote control ass'y

1. Remote control ass'y (AC93-10039Y/69099-633-252) is specified as a service jig in the service manual of X-5/X-6(DX5-R/DX5-RC/DX6-R/DX6-RC) chassis. (See Fig. 5-1)
2. Normal remote control ass'y for X-7/X-8 (DX7-R/DX7-RC/DX8-R/DX8-RC) chassis. (See Fig. 5-2)

5-1-2 How to identify between normal remote control ass'y and multi remote control ass'y for X-7/X-8 chassis (See Fig. 5-2)

1. The color of some buttons related to TV function are gold.
2. Audio button is added instead of the test button hidden behind of inlay.
3. The positions of some buttons are different.

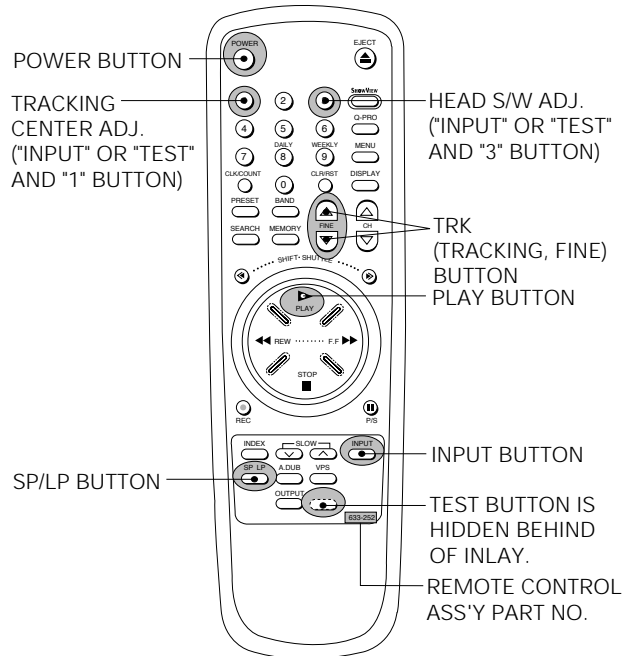


Fig. 5-1 Remote Control Ass'y Jig for X-5/X-6 Chassis (AC93-10039Y/69099-633-252)

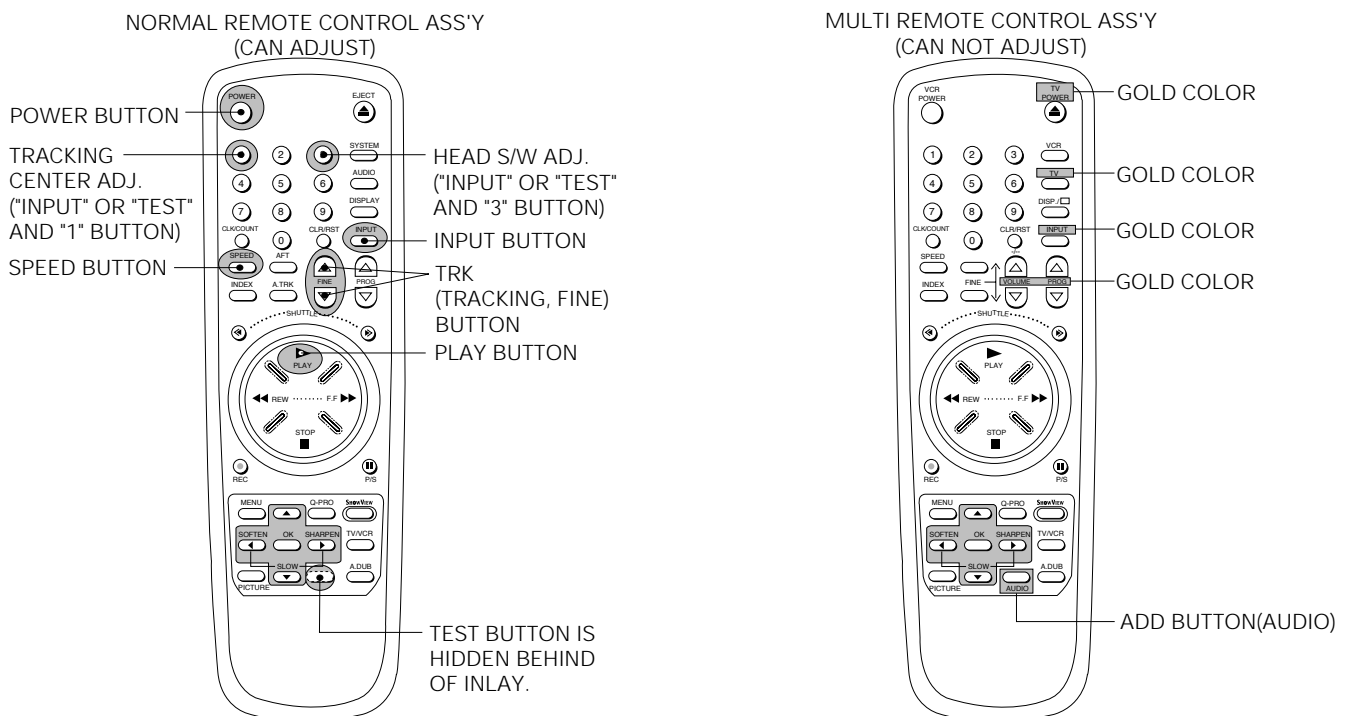


Fig. 5-2 Remote Control Ass'y for X-7/X-8 Chassis

5-2 Mechanical Adjustment

Note : Refer to the Mechanical Manual “DX7-R/DX7-RC/DX8-R/DX8-RC (AC68-20316A)” for the adjustment and confirmation of ass’y full deck.

5-2-1 The number and position of test point

Test point : TP02 (CTL Pulse)
TP03 (H'D S/W -Trigger)
TP04 (V. Envelope)
TP05 (Audio out)

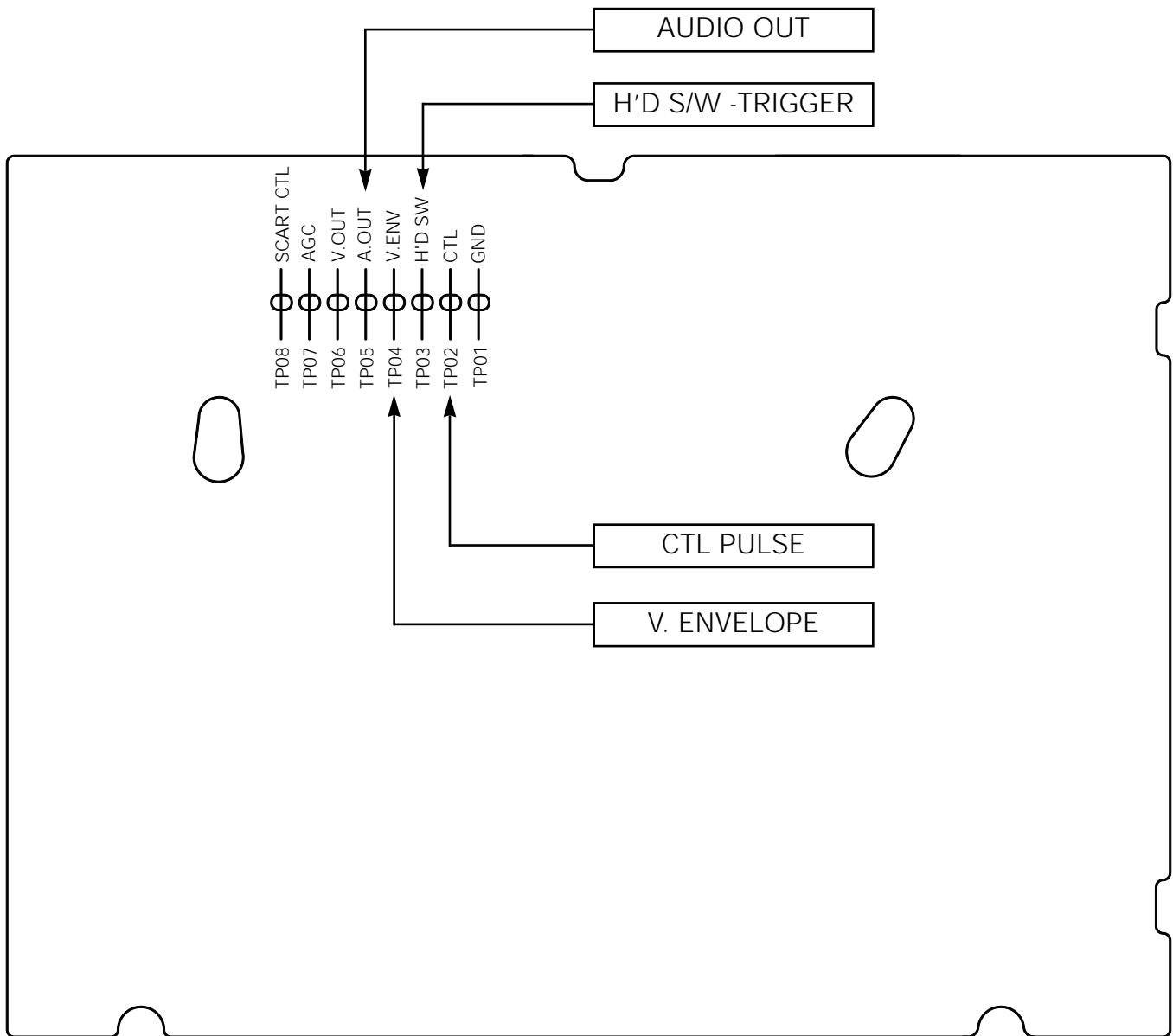


Fig. 5-3 The position of test point (Main PCB-Component side)

5-2-2 X-Point(Tracking center) adjustment
(See the 2-2-1 (d) AC HEAD POSITION(X-POINT) ADJUSTMENT on page 2-3 of the mechanical manual)

5-2-2 (a) IF THE REMOTE CONTROL ASS'Y IS NOT AVAILABLE

1. Playback the colorbar alignment tape.
2. Connect CH-1 scope probe to "TP02" and CH-2 scope probe to "TP03". And then, trigger head switching pulse.
3. Set tracking preset to 11msec (2head : 2.7msec, 4, 6head : 11msec) using the "FINE(Tracking, TRK)" button ▲ / ▼ of the other remote control ass'y except the remote control ass'y jig for X-5/ X-6 chassis and the normal remote control ass'y for X-7/X-8 chassis.
4. Connect CH-1 scope probe to "TP02" and the CH-2 to "TP03" trigger on CH-1.
5. Insert the adjusting driver (+) into X-position adjusting gear. Adjust the driver in either direction for maximum envelope waveform.

Note : Since the adjusting gear unit may be damaged, do not adjust by force when adjusting the X-point using the adjusting driver (+). After turn the X-point adjusting screw (D) counterclockwise a little, perform the adjustment. After adjustment is completed, tighten the screw.

<Setting of scope>

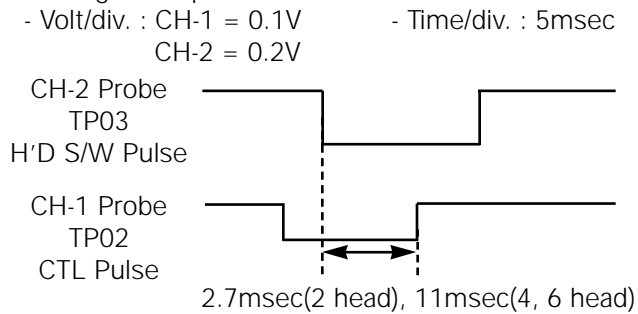


Fig. 5-4 Tracking preset adjustment

REMOTE BUTTONS	CONTROL PULSE REMOVE
▲ PUSH TRACKING ▼	
▲ TRACKING ▼ PUSH	

Fig. 5-5 Tracking preset adjustment

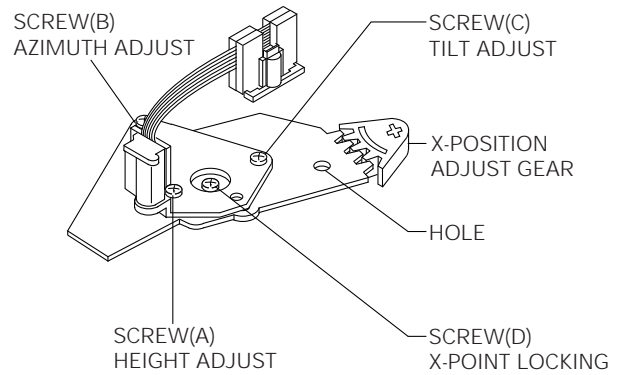


Fig. 5-6 Location of A/C Head adjustment screw

5-2-2 (b) IF THE REMOTE CONTROL ASS'Y (AC93-10039Y/69099-633-252) IS AVAILABLE

Note : How to use the "TEST" button.

1. Disattach the inlay of remote control ass'y. (See Fig. 5-1 and Fig. 5-2)
2. Press the "TEST" button with the pincers and the precise driver as shown in Fig. 5-1 and 5-2)

1. When using the "INPUT" button of remote control ass'y;

- 1) Simultaneously press the "INPUT" button and "1" button in PB mode. This will adjust the tracking center automatically.
- 2) Set the tracking preset using the "FINE(Tracking, TRK)" button of remote control.
- 3) After adjustment is completed, press the "POWER" button to release.

2. When using the "TEST" button of remote control ass'y ;

- 1) Simultaneously press the "TEST" button and "5" button in PB mode. This will adjust the tracking center automatically.
- 2) Set the tracking preset using the "FINE (Tracking, TRK) button of remote control.
- 3) After adjustment is completed, press the "POWER" button to release.

5-2-2 (b) IF THE NORMAL REMOTE CONTROL ASS'Y OF X-7/X-8(DX7-R/DX7-RC/DX8-R/DX8-RC) CHASSIS IS AVAILABLE

Note 1 : Two kinds of remote control ass'y are used for X-7/X-8(DX7-R/DX7-RC/DX8-R/DX8-RC) chassis.

1. One is a normal remote control ass'y, the other is a multi remote control ass'y
2. All adjustments are adjusted by normal remote control ass'y only.
3. For the identification of normal remote control ass'y and multi remote control ass'y, See page 5-1.

Note 2 : How to use the "TEST" button.

1. Disattach the inlay of remote control ass'y.
(See Fig. 5-1 and Fig. 5-2)
2. Press the "TEST" button with the pincers and the precise driver as shown in Fig. 5-1 and 5-2)
 1. When using the "INPUT" button of remote control ass'y;
 - 1) Simultaneously press the "INPUT" button and "1" button in PB mode.
This will adjust the tracking center automatically.
 - 2) Set the tracking preset using the "FINE(Tracking, TRK)" button of remote control.
 - 3) After adjustment is completed, press the "POWER" button to release.
 2. When using the "TEST" button of remote control ass'y ;
 - 1) Simultaneously press the "TEST" button and "5" button in PB mode.
This will adjust the tracking center automatically.
 - 2) Set the tracking preset using the "FINE (Tracking, TRK) button of remote control.
 - 3) After adjustment is completed, press the "POWER" button to release.

5-3 Electrical Adjustment

5-3-1 Head S/W Adjustment

Note : Only remote control ass'y can adjust.

5-3-1 (a) IF REMOTE CONTROL ASS'Y
(AC93-10039Y/69099-633-252) IS
AVAILABLE

1. When using the "INPUT" button of remote control
ass'y ;

- 1) Insert an SP tape into the housing ass'y.
- 2) Press the "PLAY" button.
- 3) Press the "INPUT" button and "3" button
simultaneously.
- 4) This will adjust the head S/W point adjustment
automatically.
- 5) After the adjustment is completed, press
"POWER" button to release.

2. When using the "TEST" button of remote control
ass'y ;

- 1) Insert an SP tape into the housing ass'y.
- 2) Press the "PLAY" button.
- 3) Press the "TEST" button and "SP/LP" button
simultaneously.
- 4) This will adjust the head S/W point adjustment
automatically.
- 5) After adjustment is completed, press the
"POWER" button to release.

5-3-1 (b) IF NORMAL REMOTE CONTROL
ASS'Y FOR X-7/X-8(DX7-R/DX7-RC/
DX8-R/DX8-RC) CHASSIS IS
AVAILABLE

1. When using the "INPUT" button of remote control
ass'y ;

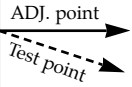
- 1) Insert an SP tape into the housing ass'y.
- 2) Press the "PLAY" button.
- 3) Press the "INPUT" button and "3" button
simultaneously.
- 4) This will adjust the head S/W point adjustment
automatically.
- 5) After the adjustment is completed, press
"POWER" button to release.

2. When using the "TEST" button of remote control
ass'y ;

- 1) Insert an SP tape into the housing ass'y.
- 2) Press the "PLAY" button.
- 3) Press the "TEST" button and "SPEED" button
simultaneously.
- 4) This will adjust the head S/W point adjustment
automatically.
- 5) After adjustment is completed, press the
"POWER" button to release.

5-3-2 RF AGC Adjustment

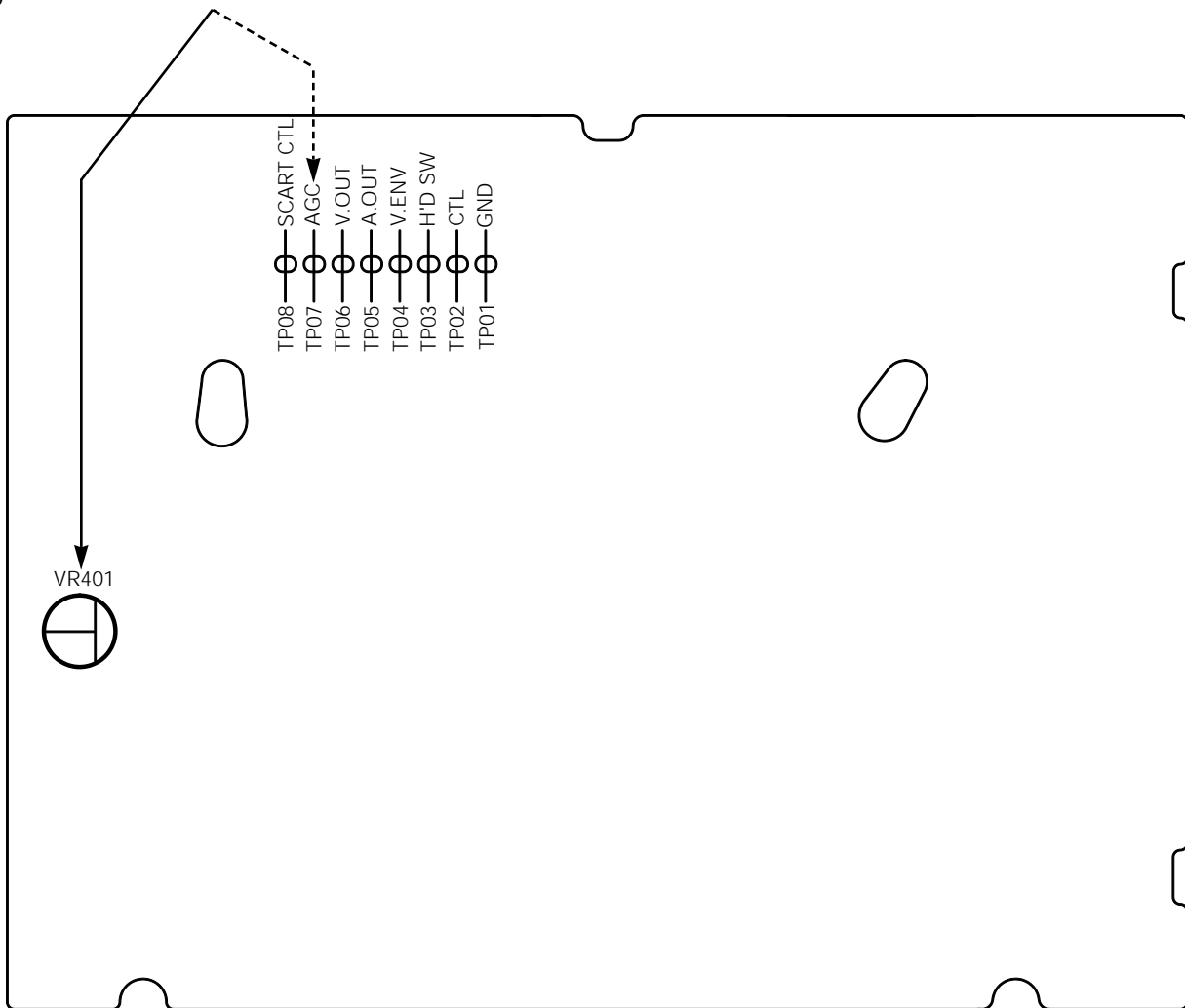
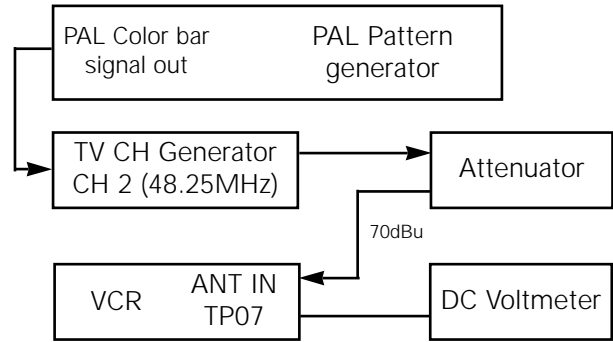
Step	Adjustment Item
1.	Mode and input signal/alignment tape
2.	Test point and ADJ. part
3.	Result and Remarks



5-3-2 (a) ADJUSTMENT PROCEDURES

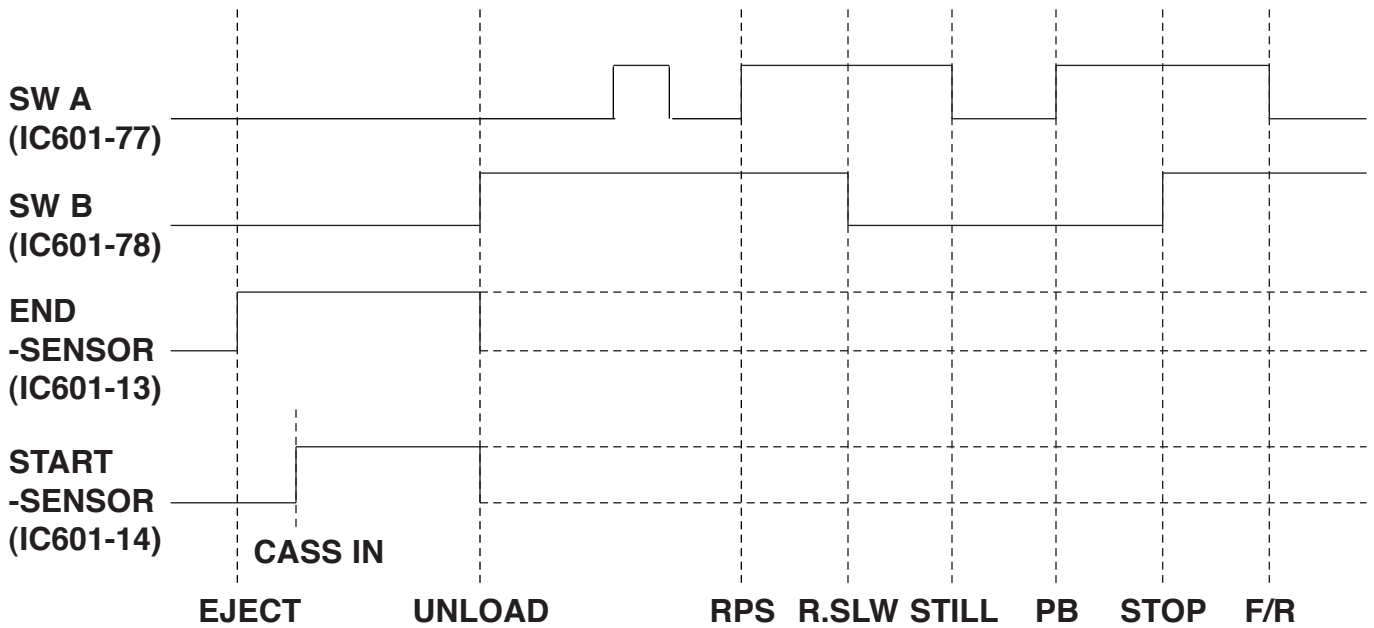
1. "E-E" (stop mode), RF signal.
2. TP07 and VR401.
3. Apply PAL color bar signal to the video input terminal of the TV channel generator and set channel selector to CH 2 (48.25MHz).
4. Adjust the point signal level so that the output of attenuator is 70dBu.
5. Apply the output of attenuator to the ANT IN terminal of VCR.
6. Set the channel of VCR to CH 2.
7. Connect DC voltmeter to TP07.
8. Adjust VR401 for DC $3.7 \pm 0.1V$.

* Composition for RF AGC adjustment



Main PCB (Component side)

5-4 Timing Chart of Program S/W



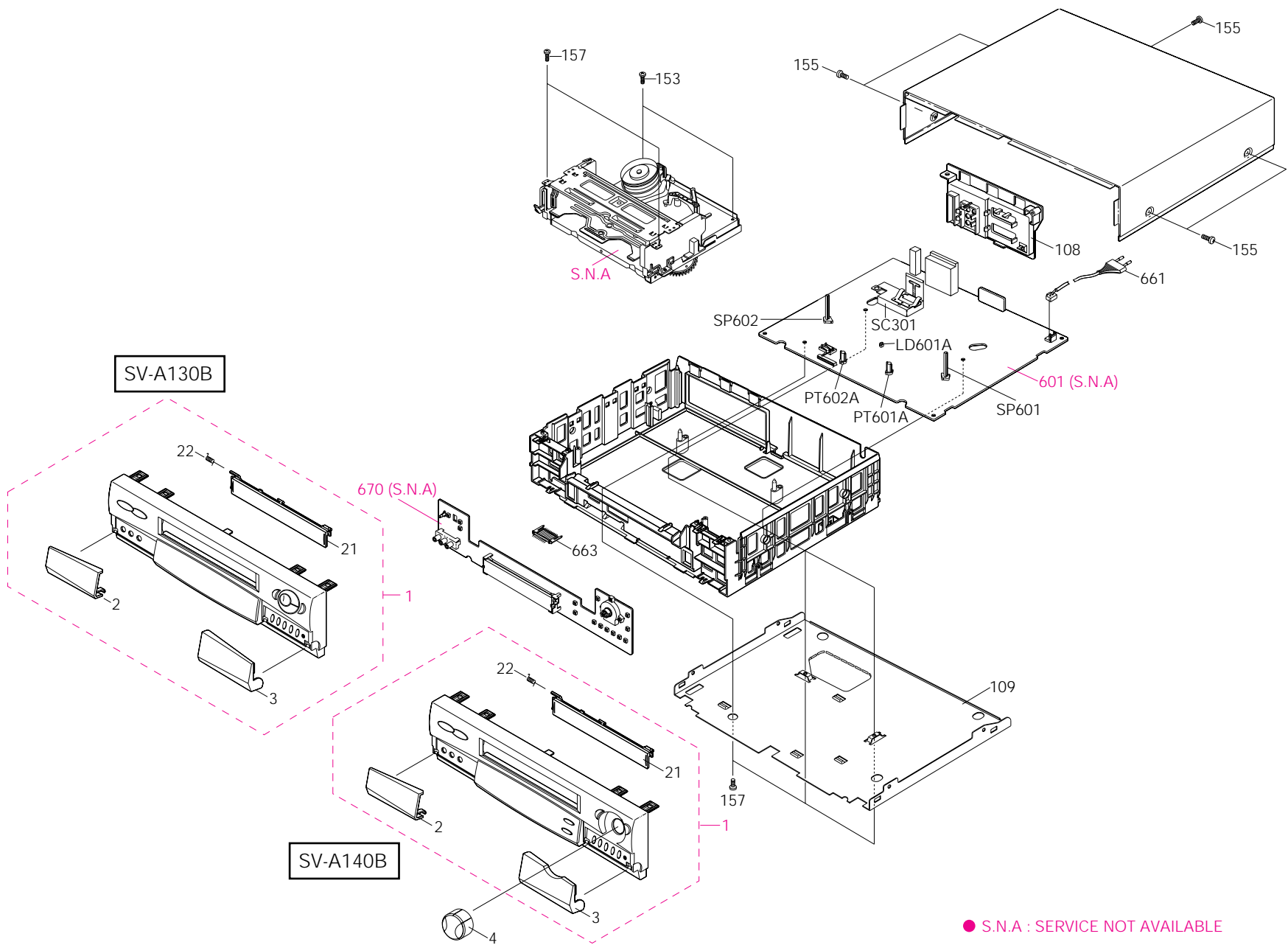
Position	Program S/W (SW601)				Action Mode
	E/S	S/S	SW A	SW B	
Eject	L	L	L	L	Eject
Cassette IN	H	L H	L	L	Cassette IN
Unload	-	-	L	L H	Unload
R. PS	-	-	L H	H	R. PS, Z-R. PS
R. Slow	-	-	H	H L	Pinch Roller off Position
Still	-	-	H L	L	Still, Slow, F-ADV
Play	-	-	L H	L	PB, T-Stop, REC, Pause, F. PS, Z-FPS
Stop	-	-	H	L H	Stop, Power off
FF/REW	-	-	H L	H	FF, REW

MEMO

6. Exploded View and Parts List

	Page
6-1 Cabinet Assembly - - - - -	6-2
6-2 Mechanical Parts (Top Side) - - - - -	6-4
6-3 Mechanical Parts (Bottom Side) - - - - -	6-6
6-4 Housing Assembly - - - - -	6-8

6-1 Cabinet Assembly



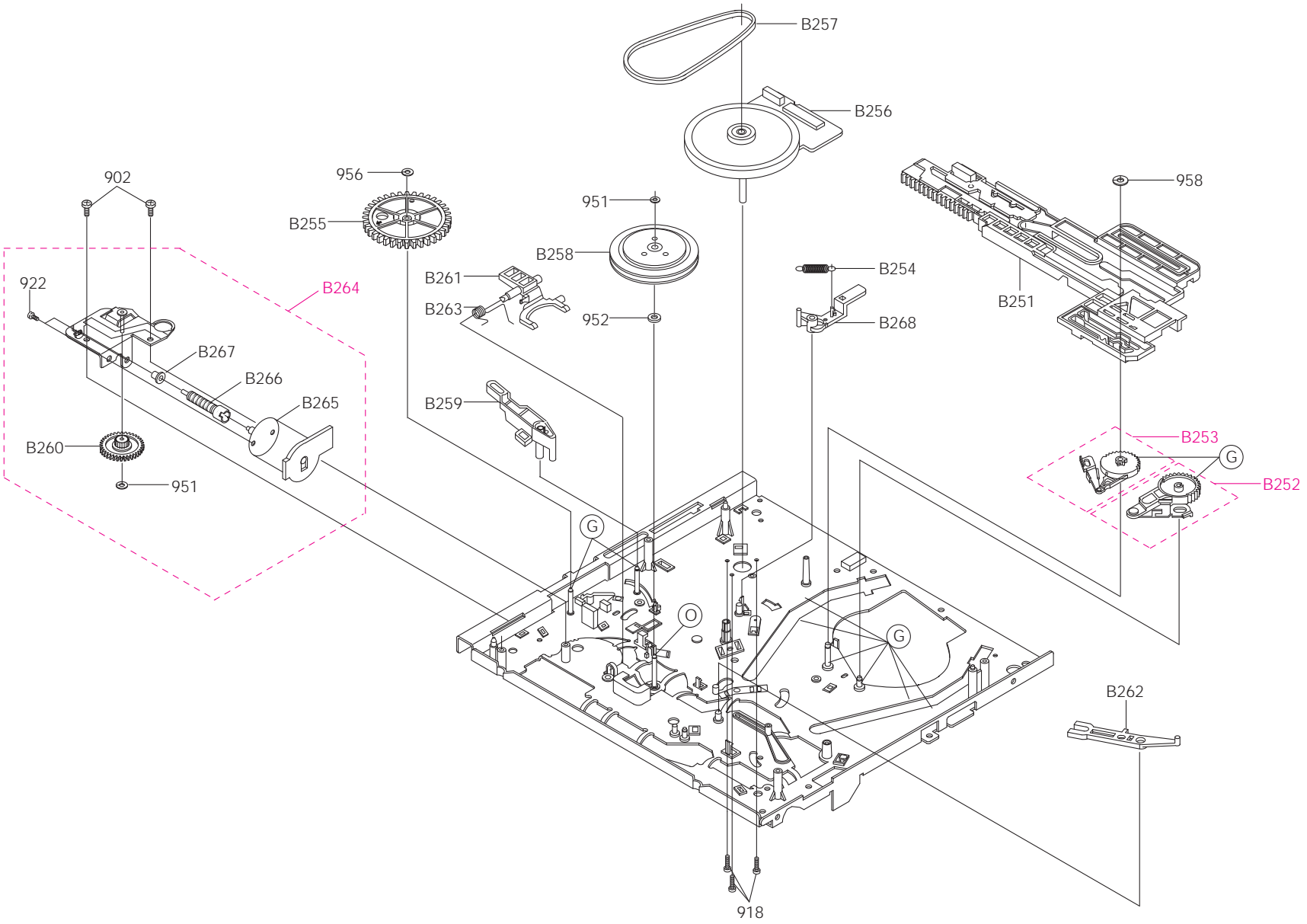
● S.N.A : SERVICE NOT AVAILABLE

Loc. No	New Part No	Description and Specification	Remark
-	DO NOT ORDER	ASSY-FULL DECK (DX7-R)	(S.N.A)
1	AC98-11208X	ASSY PANEL-FRONT;SV-A140B/SEAU	
	AC98-11217S	ASSY PANEL-FRONT;SV-A130B/SEAU	
2	AC64-50884B	DOOR-FRONT(L)	
3	AC64-50885K	DOOR-FRONT(R);SV-A140B/SEAU	
	AC64-50908K	DOOR-FRONT(R);SV-A130B/SEAU	
4	AC64-10856A	KNOB-SHUTTLE;ABS94,HB,GRY,SV-A140F,-,-	
21	AC64-50883U	DOOR-CASSETTE;SV-A140B/SEAU	
	AC64-50883X	DOOR-CASSETTE;SV-A130B/SEAU	
22	AC61-62003A	SPRING;-;SUS304,(GE/RCA),-,-,-,-	
108	AC61-10972S	CONNECTOR BOARD-ASSY;SV-A140G/SEMO,HIPS94,HB,T2.	
109	AC63-32126A	COVER-BOTTOM;SV-D140F,-	
153	AC60-12126A	SCREW-BH;-;BH,-,4*12,FE,FZY,-,-,-	
155	AC60-12134A	SCREW-TAP BH;-;BH,-,2-4X16,-,FE	
157	AC60-10063A	SCREW-TAPTITE;BH,+,-,M3,L12,ZPC3,SWRCH18A	
601	DO NOT ORDER	ASSY-MAIN	(S.N.A)
602	DO NOT ORDER	ASSY-SUB	(S.N.A)
661	AC39-10015A	POWER CORD;KKP-560,H03VVH2-F,VDE/KEMA-KEU	
663	3711-002603	CONNECTOR-HEADER;NOWALL,20P,1R,1.5MM,STRAIGHT,SN	
670	DO NOT ORDER	ASSY-F/TIMER	(S.N.A)
LD601A	AC61-22345A	HOLDER-LED;POM,-,-,-,-,-	
PT601A	AC61-22344A	HOLDER-PHOTO;POM,-,-,-,-,-	
PT602A	AC61-22344A	HOLDER-PHOTO;POM,-,-,-,-,-	
SC301	AC98-12023J	ASSY-SH/CASE TOP;SV-A140F,IS-PAL ASSY S/C TOP	
SP601	AC61-22321A	HOLDER-TR;POM,-,-,-,-,-	
SP602	AC61-22321A	HOLDER-TR;POM,-,-,-,-,-	

Note : Please, refer to the separate information for the other models combind.

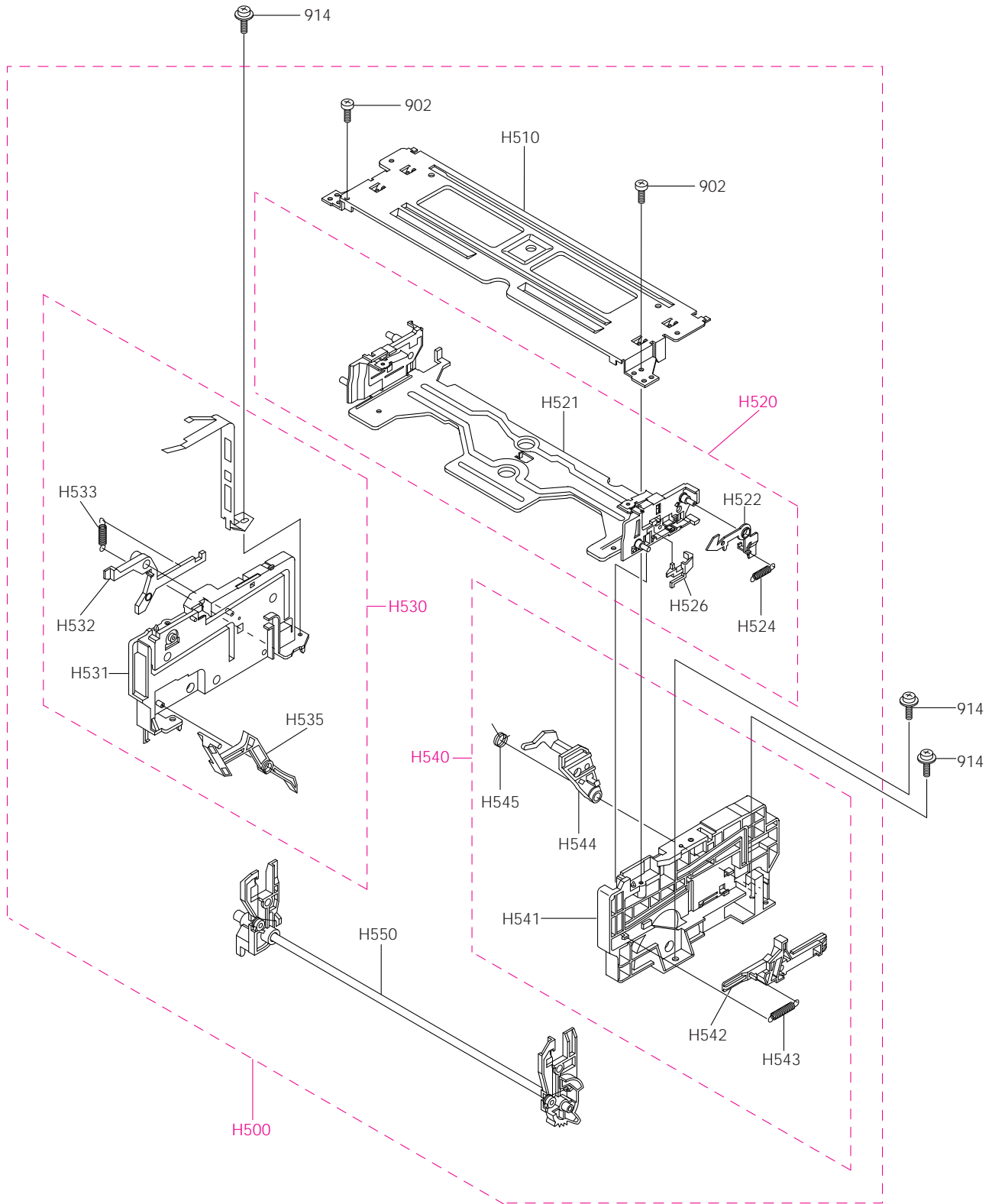
Loc. No	New Part No	Description and Specification	Remark
900	AC60-12091A	SCREW-MACHINE;FP,BH,-,M3,L4,SWRCH10A,YEL ROB	
901	AC60-10012A	SCREW-MACHINE;BH,+,M3,L8,-,FE,-,-,-	
904	AC60-12125A	SCREW-PH;-,-,-,M3X6 TAP TITE,-,-,-,-,-	
905	AC60-12096A	SCREW-MACHINE;FP,PH,-,M2.6,X10,SWRCH1-A,YEL	
912	67094-604-710	SCREW-DAMPER;M2.0X7.0 SWCM 10(MFZN2-C)	
919	AC60-10004A	SCREW-MACHINE;BH,+,M3,L8,ZPC,SWRCH18A,-,-,-	
920	AC60-10007A	SCREW-TAPPING;BH,+,M2.6,L12,-,SWRCH18A,-,-,-	
952	AC60-30018A	WASHER-PLAIN;PLAIN,M3.2,D6,T0.5,POLYSLIDER,	
956	AC60-30007A	WASHER-SLIT;PLAIN,ID2.5,OD7,T0.5,SPC1,-,-	
957	AC60-30008A	WASHER-SLIT;-,ID3.5,OD9,T0.5,SPC1,-,-	
T201	AC66-10023A	REEL-DISK L ASSY;POM,-,PACKAGE,X-5,-	
T202	AC66-10022A	REEL-DISK R (ASSY);POM,-,PACKAGE,X-5,-	
T203	AC66-30474A	BRAKE-SUB L;-,-,PBT,-,-,-,X-5/IS	
T204	AC66-30148A	BRAKE SUB R-ASSY;PBT,-,-,-,X5,-	
T207	AC66-30475A	BRAKE-MAIN L ASS'Y;-,-,POM+PELT,-,-,-,X-5/IS	
T208	AC66-30476A	BRAKE-MAIN R ASS'Y;-,-,POM+PELT,-,-,-,X-5/IS	
T209	AC61-60112A	SPRING- BRAKE MAIN;ES,SUS304WPB,PI0.35,ID2.8,OD4.	
T210	AC66-20073A	GEAR RELAY S-ASSY;-,-,PEBAX,M0.5,M48,SP,X5,-	
T211	AC66-20037A	GEAR- RELAY T;PEBAX7033,X-5,Z39,GEAR-SPUR,D1	
T212	AC66-30073A	ARM-TENSION ASSY;-,-,-,CKD,DX5-R,-	
T216	AC61-60119A	SPRING TENSION;ES,SWPB,PI0.35,ID2.1,L33(OD3.8),-	
T217	AC66-30470A	LEVER-REC S/W;-,-,PBT #3300,T4.0,L32,-,(X-5/IS	
T218	AC61-62017A	SPRING-SUB BRAKE L;ES,SUS304,PI0.23,D3.5,L14.8,-,	
T219	AC33-10003P	HEAD- MAGNET F/E;MH131S,-,-,-,L51.05XW7.4XH12.3	
T220	AC66-82050A	SLIDER-G/R ASSY(S);-,-,-,-,X-5	
T221	AC66-82059A	SLIDER-G/R ASSY T;-,-,-,-,X-7(VW-31H)	
T222	AC33-10002E	HEAD-CLEANER;-,-,-,-,X-5	(OPTIONAL)
T223	AC66-20065A	RACK-HOUSING;L74.29,POM M90-44,BLK,M1,3.14,	
T224	AC33-10215A	HEAD-ACE ALL ASSY;-,-,X-7,-,-,-	
T225	AC66-80005A	SLIDER-PINCH;POM(M90-44),T2,L54.35,NAT,DX-5	
T226	AC66-30014A	LEVER-REVIEW;ZYTEL(70G-43L),T3.8,-,PCD25.6,	
T227	AC66-30099A	ARM REVIEW CKD;-,-,-,-,DX5-RV,-	
T228	AC66-30013A	LEVER-PINCH CAM;PBT 6300T,-,L45,W9,X-5,-	
T229	AC66-30003A	LEVER PINCH COUP;PBT 3300,T7.5,L45.25,-,-,X-5	
T230	AC61-60116A	SPRING- PINCH COMP;TS,SWPB,PI1.0,D6,L38(OD8),-	
T231	AC67-32001A	PRISM-LED;PMMA,D5,IF-850,-,-,-	
T232	AC66-82049A	SLIDER-PUSH;LUPOX 2150,T2,-,NTR,-	
T233	AC61-62016A	SPRING-SLIDE PUSH;ES,SUS304WPB,PI0.55,D3.55,L24.	
T234	AC59-90001B	UNIT-PINCH ROLLER;X-5,-,YAMAUCHI	
T236	AC66-10010A	IDLER-ASSY;PACKAGE,-,X-5,-	
T237	AC61-40054A	STOPPER-TAPE;POM M90-44,OD7,T1.5,NTR,X-5,-	(OPTIONAL)
T238	AC61-60132A	SPRING ARM PINCH;CS,SUS304WPB,PI0.4,D7.1,OD7.9,	
T239	AC66-30132A	LEVER JOG-ASSY;-,-,-,-,X5,-	(DX8-R/RC ONLY)
T240	AC61-60505A	SPRING-REC S/W;-,-,ES,SUS304 WPB,PI0.29,PI3.5,-	
T300	AC96-10473F	ASSY-CYLINDER;CX5-H6P/SEMA D,V-2 PAL 6HEAD D	
T302	AC31-12001M	MOTOR-CYLINDER;E20XL03,-,-	
T303	AC33-12004S	HEAD-BRUSH(ASSY);SECC20/20+CARBON,-,-,-,-	
T309	AC73-12001A	RETRINER-RUBBER(ASSY);SECC+SILICON,-,-,-	

6-3 Mechanical Parts (Bottom Side)



Loc. No	New Part No	Description and Specification	Remark
902	AC60-10051A	SCREW-TAPPING;BH,-,-,M3,L8,FZY	
918	AC60-10006A	SCREW-MACHINE;BH,+I90,M2.6,L7,ZPC,SWRCH18A,-	
922	67008-130-171	SCREW PH;+M3X3 FE FZY	
951	AC60-30025A	WASHER-SLIT;-ID2.5,OD5.0,T0.5,POLY SLIDE,	
952	AC60-30018A	WASHER-PLAIN;PLAIN,M3.2,D6,T0.5,POLYSLIDER,	
956	AC60-30007A	WASHER-SLIT;PLAIN,ID2.5,OD7,T0.5,SPC1,-,-	
958	AC60-30028A	WASHER-SLIT;-D2.5,D9.0,T0.5,NUMIRROR,-,-	
B251	AC66-80001A	SILDER- MAIN;PBT2002K,T12.4,L206.2,NAT,DX-5	
B252	AC66-20019A	GEAR-LOADING L ASSY;-,-,-,PACKAGE,-,X-5,-	
B253	AC66-20069A	GEAR LOADING R;-,-,-,-,X5,-	
B254	AC61-60115A	SPRING-BRAKE CAPSTAN;ES,SUS304WPB,PI0.4,D22,L16.1(
B255	AC66-20004A	GEAR-MASTER;POM (M90-44),M 1,Z 60,SP,-,X-5	
B256	AC31-12001R	MOTOR-D/D CAPSTAN;DMVCMC06A,-	
B257	AC66-62008A	BELT-CAPSTAN;5CM-70 FR,W2 T2 L88.6,-,-,-,-,	
B258	AC66-20066A	CLUTCH-ASSY;-,-,-,-,X5,-	
B259	AC66-32185A	LEVER-SLIDER PINCH;PBT,T4,NAT,-,-,-	
B260	AC66-20016A	GEAR- WORM WHEEL;POM SW-01,M0.55/M1,Z57/Z10,GEA	
B261	AC66-30011A	LEVER- SHIFT;PBT2002K,T10.9,L35,-,-,-	
B262	AC66-30012A	LEVER- IDELR CHANGE;PBT330,T3.3,L50,-,W6.0,-	
B263	AC61-60111A	SPRING-LEVER SHIFT;TS,SWPB,PI0.7,D5.5,L13.8(OD6.9	
B264	AC59-90001A	UNIT-LOADING ASSY;X-5,-,-	
B265	66823-0060-00	MOTOR-LOADING ASSY;POM+RF370C X-5	
B266	AC66-20039A	GEAR- WORM LO;PBT 2002K,-,-,-,D4.5,3,-	
B267	AC61-20224A	HOLDER SHAFT;POM M90-44,T1.25,NAT,PI5XH5.5,	
B268	AC66-30149A	BRAKE CAPSTAN-ASSY;POM,-,-,-,X5,-	

6-4 Housing Assembly



Loc. No	New Part No	Description and Specification	Remark
902	AC60-10051A	SCREW-TAPPING;BH,-,-,M3,L8,FZY	
914	AC60-10067A	SCREW-TAPTITE;PWH,+,-,M3,L8,MFZN2-C,SWCH1018	
H500	AC61-82014D	HOUSING-ASSY;-X7FL26280A,230X130X60,-,X-7	
H510	AC61-10006A	CHASSIS- UPPER;SECC 20/20,-,T1.0,BLK,-,X5,-	
H520	AC61-20932B	HOLDER-CASSETTE ASSY;-X5FL06080A,-,-,-,X-7(CODO)	
H521	AC61-20922B	HOLDER-CASSETTE;-SECC T1.2,-,NAT,-,X-7(CODO)	
H522	AC66-30018A	LEVER-LOCK R;SECC 20/20,T1.2,L44,W32,-,-	
H524	AC61-60121A	SPRING-LEVER LOCK;ES,SUS304 WPB,PI0.2,D2.6,L9.9(
H526	AC66-30019A	LEVER-KEY CASSETTE;LUCEL N109-LD,T2.5,L20,W15.2,-	
H530	62203-0105-00	CHASSIS-SIDE L(ASSY);ABS X5FL0505A X-5	
H531	AC61-10004A	CHASSIS- SIDE L;ABS HF-380,-,T10,BLK,-,X5,BLK	
H532	AC66-30004A	LEVER- LIGHT SHUTTER;LUCEL N109-LD,T2.5,L61.7,BLK,	
H533	AC61-60142A	SPRING- LIGHT;ES,SUS304WPB,PI0.2,L11.4(OD3.7	
H535	AC66-30017A	LEVER- DOOR;LUCELN109-LD,T5,L74.3,W21.1,-,	
H540	62203-0104-00	CHASSIS-SIDE R(ASSY);ABS X5FL0505A X-5	
H541	AC61-10003A	CHASSIS- SIDE R;ABS HF-380,-,T10,BLK,-,X5,BLK	
H542	AC66-80008A	SLIDER DAMPER;LUCEL N109-LD,T4,L87,-,-,-	
H543	AC61-60120A	SPRING-SLIDE DAMPER;ES,SUS 304WPB,PI0.4,D3.8,L25(O	
H544	AC66-30016A	LEVER- LID OPENER;LUCEL N109-LD,T5.0,L34.7,W16.6	
H545	AC61-60123A	SPRING-LID OPENER;TS,SWPB,PI0.55,D8.9,L15(OD10),	
H550	61403-0073-00	SHAFT-ARM(ASSY);SUM24L X5FL0405A X-5	

MEMO

7. Electrical Parts List

Loc. No	Part No	Description and Specification	Remark
601	DO NOT ORDER	ASSY-MAIN	(S.N.A)
SMPS/POWER PARTS			
C1P02	2301-000383	C-FILM,PEF;10NF,5%,50V,TP,6X7X3.2MM,5MM	
C1P03	2401-001954	C-AL;4.7UF,20%,50V,GP,BK,5X11MM,5	
C1P04	2401-001975	C-AL;47UF,20%,16V,GP,TP,5X11MM,5	
C1P05	2401-001511	C-AL;47UF,20%,16V,GP,-,6X7,5	
C1P06	2401-001915	C-AL;1UF,20%,50V,GP,TP,3X5,1MM	
C1P09	2401-001912	C-AL;1UF,20%,50V,GP,BK,5X11MM,2MM	
C1P10	2202-000797	C-CERAMIC,MLC-AXIAL;10NF,30%,16V,Y5P,TP,3.5X19,-	
C1S03	2305-001021	△ C-FILM,MPEF;100NF,20%,275V,TP,17.5X7X13.5,	
C1S04	2305-001021	△ C-FILM,MPEF;100NF,20%,275V,TP,17.5X7X13.5,	
C1S05	2201-000808	△ C-CERAMIC,DISC;2.2NF,10%,400V,Y5P,TP,12X7.5,7	
C1S06	2201-000934	△ C-CERAMIC,DISC;3.3NF,20%,400V,Y5P,TP,18X8,10	
C1S08	2401-001682	△ C-AL;82UF,20%,400V,GP,BK,22X25,10MM	
C1S09	2301-000140	C-FILM,PEF;10NF,10%,630V,BK,16.5X9.5X5.7X	
C1S10	2201-000915	C-CERAMIC,DISC;100PF,10%,1KV,Y5P,TP,6X5,5	
C1S15	2301-000224	C-FILM,PEF;22NF,5%,50V,TP,7.4X3.9X13MM,5M	
C1S16	2201-000795	C-CERAMIC,DISC;10NF,10%,400V,Y5P,TP,15X10,5	
C1S17	2401-000970	C-AL;22UF,20%,50V,WT,TP,5X11,2MM	
C1S18	2301-000224	C-FILM,PEF;22NF,5%,50V,TP,7.4X3.9X13MM,5M	
C1S19	2401-001912	C-AL;1UF,20%,50V,GP,BK,5X11MM,2MM	
C1S30	2401-000385	C-AL;10UF,20%,100V,GP,-,6.3X11,2.5M	
C1S31	2401-001134	C-AL;330UF,20%,35V,WT,TP,10X16,5MM	
C1S32	2401-001998	C-AL;1000UF,20%,25V,GP,TP,10X20,5MM	
C1S33	2401-001125	C-AL;330UF,20%,25V,WT,TP,10X12.5,5M	
C1S34	2401-001992	C-AL;2200UF,20%,10V,GP,TP,10X20MM,5	
C1S35	2401-001355	C-AL;470UF,20%,10V,GP,-,8X11.5,5MM	
C1S36	2401-001583	C-AL;47UF,20%,50V,WT,TP,6.3X11,2.5M	
C1S37	2401-001374	C-AL;470UF,20%,16V,WT,TP,10X12.5,2.	
C1S38	2301-000129	C-FILM,PEF;100NF,5%,50V,TP,10X9X4.3X5,5MM	
C1S39	2301-000383	C-FILM,PEF;10NF,5%,50V,TP,6X7X3.2MM,5MM	
CN1S1	3711-000178	△ CONNECTOR-HEADER;1WALL,2P,1R,3.96MM,STRAIGHT,SN	
D1P01	0402-000127	DIODE-RECTIFIER;1N4002,100V,1A,DO-41	
D1P02	0402-000127	DIODE-RECTIFIER;1N4002,100V,1A,DO-41	
D1P03	0402-000127	DIODE-RECTIFIER;1N4002,100V,1A,DO-41	
D1P06	0401-000101	DIODE-SWITCHING;1N4148,100V,200MA,500MW,4NS,DO	
D1P20	0402-000127	DIODE-RECTIFIER;1N4002,100V,1A,DO-41	
D1S01	0402-001009	△ DIODE-RECTIFIER;1SR139,600V,1A,MSR	
D1S02	0402-001009	△ DIODE-RECTIFIER;1SR139,600V,1A,MSR	
D1S03	0402-001009	△ DIODE-RECTIFIER;1SR139,600V,1A,MSR	
D1S04	0402-001009	△ DIODE-RECTIFIER;1SR139,600V,1A,MSR	
D1S05	0402-000378	DIODE-RECTIFIER;EG01C,1000V,500MA,DO-41	
D1S07	0402-001013	DIODE-RECTIFIER;1SR153-400,400V,800MA,DO-41	
D1S30	0402-001013	DIODE-RECTIFIER;1SR153-400,400V,800MA,DO-41	
D1S31	0402-001013	DIODE-RECTIFIER;1SR153-400,400V,800MA,DO-41	
D1S32	0402-000431	DIODE-RECTIFIER;FML-M02S,200V,2.5A,TO-220F	
D1S33	0402-000431	DIODE-RECTIFIER;FML-M02S,200V,2.5A,TO-220F	
D1S34	0402-001013	DIODE-RECTIFIER;1SR153-400,400V,800MA,DO-41	
D1S35	0402-001013	DIODE-RECTIFIER;1SR153-400,400V,800MA,DO-41	
F1S01	A3065-0157	△ FUSE;FST 250V 1.6A 20MM SEMKO S505 C	

Loc. No	Part No	Description and Specification	Remark
IC1P01	AC14-12001E	IC;KA7809,-,-	
IC1S2	B4161-0030	△ PHOTO-COUPLER;PS2561-1 ST DIP	
IC1S3	AC14-12006D	△ IC;KA431Z,TO-92,TAPING	
L1S01	AC29-30050A	△ FILTER-LINE NOISE;- ,400UH,- ,250V,-	
L1S02	A1151-0042	△ COIL-LINE FILTER;BSF-2120Z 25MH 3.2OHM	
L1S03	3811-000389	WIRE-NO SHEATH CU;SPCW,300V,52.4MM,1/0.5MM,-,-	
L1S04	AC27-92001M	INDUCTOR;70UH-M RT BFS3565R2F,-,-,-,-	
L1S05	AC27-92001M	△ INDUCTOR;70UH-M RT BFS3565R2F,-,-,-,-	
L1S30	AC27-12001N	COIL-CHOKE;10UH-15%,RA,K-30,Q80,150KHZ,-,	
L1S31	AC27-12001N	COIL-CHOKE;10UH-15%,RA,K-30,Q80,150KHZ,-,	
L1S32	AC27-92001M	INDUCTOR;70UH-M RT BFS3565R2F,-,-,-,-	
L1S33	AC27-92001M	INDUCTOR;70UH-M RT BFS3565R2F,-,-,-,-	
L1S34	AC27-92001M	INDUCTOR;70UH-M RT BFS3565R2F,-,-,-,-	
PT1S01	AC26-20120A	△ TRANS-SWITCHING;- ,220V,UL/CSA,- ,1000UH,- ,SV-D1	
Q1P01	0501-000610	TR-SMALL SIGNAL;KSA928A-Y,PNP,1W,TO-92L,TP,160	
Q1P02	0504-000116	TR-DIGITAL;KSR1001,NPN,300MW,4.7K-4.7K,TO	
Q1P03	0501-000610	TR-SMALL SIGNAL;KSA928A-Y,PNP,1W,TO-92L,TP,160	
Q1P04	0504-000118	TR-DIGITAL;KSR1003,NPN,300MW,22K-22K,TO-9	
Q1P05	0501-000616	TR-SMALL SIGNAL;KSC2328A-Y,NPN,1W,TO-92L,TP,16	
Q1P06	0501-000616	TR-SMALL SIGNAL;KSC2328A-Y,NPN,1W,TO-92L,TP,16	
Q1P07	0501-000398	TR-SMALL SIGNAL;KSC945,NPN,250MW,TO-92,TP,120-	
R1P02	2004-001096	R-METAL;560OHM,5%,1/4W,AA,TP,2.4X6.4MM	
R1P03	2001-000273	R-CARBON;100KOHM,5%,1/8W,AA,TP,1.8X3.2M	
R1P04	2001-000611	R-CARBON;3.9KOHM,5%,1/4W,AA,TP,2.4X6.4M	
R1P05	2001-000449	R-CARBON;2.2KOHM,5%,1/8W,AA,TP,1.8X3.2M	
R1P06	2001-000429	R-CARBON;1KOHM,5%,1/8W,AA,TP,1.8X3.2MM	
R1P07	2001-000221	R-CARBON;1.2KOHM,5%,1/8W,AA,TP,1.8X3.2M	
R1P09	2004-000571	R-METAL;220OHM,5%,1/4W,AA,TP,2.4X6.4MM	
R1P10	2001-000449	R-CARBON;2.2KOHM,5%,1/8W,AA,TP,1.8X3.2M	
R1S02	2003-000273	R-METAL OXIDE;33KOHM,5%,2W,AA,TP,6X16MM	
R1S03	2001-000076	R-CARBON;47KOHM,5%,1/4W,AA,TP,2.4X6.4MM	
R1S06	2003-000273	R-METAL OXIDE;33KOHM,5%,2W,AA,TP,6X16MM	
R1S07	2001-000302	R-CARBON;10OHM,5%,1/8W,AA,TP,1.8X3.2MM	
R1S12	2001-000076	R-CARBON;47KOHM,5%,1/4W,AA,TP,2.4X6.4MM	
R1S13	2001-000076	R-CARBON;47KOHM,5%,1/4W,AA,TP,2.4X6.4MM	
R1S14	2001-000076	R-CARBON;47KOHM,5%,1/4W,AA,TP,2.4X6.4MM	
R1S15	2003-000148	R-METAL OXIDE;100OHM,5%,2W,AE,TP,6X16MM	
R1S21	3811-000389	WIRE-NO SHEATH CU;SPCW,300V,52.4MM,1/0.5MM,-,-	
R1S30	2001-000515	R-CARBON;220OHM,5%,1/8W,AA,TP,1.8X3.2MM	
R1S31	2001-000221	R-CARBON;1.2KOHM,5%,1/8W,AA,TP,1.8X3.2M	
R1S32	2001-000429	R-CARBON;1KOHM,5%,1/8W,AA,TP,1.8X3.2MM	
R1S33	2004-000869	R-METAL;3KOHM,1%,1/8W,AA,TP,1.8X3.2MM	
R1S34	2004-000459	R-METAL;2.2KOHM,1%,1/8W,AA,TP,1.8X3.2M	
R1S35	2001-000440	R-CARBON;1OHM,5%,1/8W,AA,TP,1.8X3.2MM	
VA1S01	1405-000186	△ VARISTOR;470V,4500A,17X12MM,TP	
VA1S02	1405-000186	△ VARISTOR;470V,4500A,17X12MM,TP	
ZD1P02	0403-000557	DIODE-ZENER;MTZ5.1C,5.1V,5.09-5.37V,500MW,	
ZD1S01	0403-000539	DIODE-ZENER;MTZ18C,18V,17.42-18.33V,500MW,	
ZD1S2	0403-000294	DIODE-ZENER;MTZ4.7B,4.7V,4.55-4.80V,500MW,	

SYSTEM CONTROL/SERVO PARTS

C601	2203-002188	C-CERAMIC,CHIP;10NF,+80-20%,16V,Y5V,TP,2012,-
C602	2203-002188	C-CERAMIC,CHIP;10NF,+80-20%,16V,Y5V,TP,2012,-
C603	2203-001557	C-CERAMIC,CHIP;100NF,+80-20%,25V,Y5V,TP,2012,-
C604	2203-002188	C-CERAMIC,CHIP;10NF,+80-20%,16V,Y5V,TP,2012,-

Loc. No	Part No	Description and Specification	Remark
C605	2203-001577	C-CERAMIC,CHIP MELF;150PF,10%,50V,Y5E,TP,2012,2M	
C606	2202-000797	C-CERAMIC,MLC-AXIAL;10NF,30%,16V,Y5P,TP,3.5X19,-	
C607	2203-002188	C-CERAMIC,CHIP;10NF,+80-20%,16V,Y5V,TP,2012,-	
C608	2202-000780	C-CERAMIC,MLC-AXIAL;100NF,+80-20%,50V,Y5V,TP,3.5	
C609	2203-001679	C-CERAMIC,CHIP;68NF,+80-20%,25V,Y5V,TP,2012,2	
C610	2203-001679	C-CERAMIC,CHIP;68NF,+80-20%,25V,Y5V,TP,2012,2	
C6101	2203-001608	C-CERAMIC,CHIP;22NF,+80-20%,50V,Y5V,TP,2012,-	
C6102	2203-001558	C-CERAMIC,CHIP MELF;100PF,10%,50V,Y5E,TP,2012,2M	
C6103	2203-001620	C-CERAMIC,CHIP MELF;27PF,5%,50V,SL,TP,2012,2MM	
C6104	2203-001620	C-CERAMIC,CHIP MELF;27PF,5%,50V,SL,TP,2012,2MM	
C6105	2203-002188	C-CERAMIC,CHIP;10NF,+80-20%,16V,Y5V,TP,2012,-	
C6106	2301-000392	C-FILM,PEF;15NF,5%,50V,TP,6.5X8.5X3.2MM,5	
C6107	2203-000818	C-CERAMIC,CHIP;33PF,5%,50V,NPO,TP,2012,-	
C611	2203-000533	C-CERAMIC,CHIP;2.7NF,10%,50V,X7R,TP,2012,-	
C6114	2201-000800	C-CERAMIC,DISC;120PF,5%,50V,SL,TP,5X3,5	
C6116	2203-001612	C-CERAMIC,CHIP MELF;22PF,5%,50V,SL,TP,2012,2MM	
C6117	2203-001612	C-CERAMIC,CHIP MELF;22PF,5%,50V,SL,TP,2012,2MM	
C6119	2401-001975	C-AL;47UF,20%,16V,GP,TP,5X11MM,5	
C612	2203-001577	C-CERAMIC,CHIP MELF;150PF,10%,50V,Y5E,TP,2012,2M	
C6120	2202-000780	C-CERAMIC,MLC-AXIAL;100NF,+80-20%,50V,Y5V,TP,3.5	
C6122	2401-001952	C-AL;4.7UF,20%,50V,-,TP,6.3X7,5	
C6123	2401-001978	C-AL;47UF,20%,16V,GP,TP,6.3X5,5	
C6124	2401-001325	C-AL;470NF,20%,50V,GP,TP,3X5,5	
C6126	2401-000419	C-AL;10UF,20%,16V,GP,-,4X7,5	
C613	2203-001557	C-CERAMIC,CHIP;100NF,+80-20%,25V,Y5V,TP,2012,	
C614	2202-000780	C-CERAMIC,MLC-AXIAL;100NF,+80-20%,50V,Y5V,TP,3.5	
C615	2203-002188	C-CERAMIC,CHIP;10NF,+80-20%,16V,Y5V,TP,2012,-	
C616	2203-001591	C-CERAMIC,CHIP MELF;1NF,20%,25V,Y5S,TP,2012,2MM	
C617	2203-001591	C-CERAMIC,CHIP MELF;1NF,20%,25V,Y5S,TP,2012,2MM	
C618	2203-001702	C-CERAMIC,CHIP;2.2NF,5%,50V,X7R,TP,2012,-	
C619	2203-001696	C-CERAMIC,CHIP MELF;82PF,10%,50V,Y5P,TP,2012,2MM	
C620	2203-001696	C-CERAMIC,CHIP MELF;82PF,10%,50V,Y5P,TP,2012,2MM	
C621	2203-000260	C-CERAMIC,CHIP;10NF,10%,50V,X7R,TP,2012,-	
C622	2203-001608	C-CERAMIC,CHIP;22NF,+80-20%,50V,Y5V,TP,2012,-	
C623	2203-001580	C-CERAMIC,CHIP MELF;15PF,5%,50V,SL,TP,2012,2MM	
C624	2203-001580	C-CERAMIC,CHIP MELF;15PF,5%,50V,SL,TP,2012,2MM	
C625	2203-001580	C-CERAMIC,CHIP MELF;15PF,5%,50V,SL,TP,2012,2MM	
C626	2203-001580	C-CERAMIC,CHIP MELF;15PF,5%,50V,SL,TP,2012,2MM	
C627	2203-001608	C-CERAMIC,CHIP;22NF,+80-20%,50V,Y5V,TP,2012,-	
C628	2203-001608	C-CERAMIC,CHIP;22NF,+80-20%,50V,Y5V,TP,2012,-	
C629	2202-000780	C-CERAMIC,MLC-AXIAL;100NF,+80-20%,50V,Y5V,TP,3.5	
C630	2301-000129	C-FILM,PEF;100NF,5%,50V,TP,10X9X4.3X5,5MM	
C631	2203-001557	C-CERAMIC,CHIP;100NF,+80-20%,25V,Y5V,TP,2012,	
C632	2401-001511	C-AL;47UF,20%,16V,GP,-,6X7,5	
C633	2401-001904	C-AL;10UF,20%,16V,-,TP,4X7MM,5	
C634	2401-000208	C-AL;100NF,+80-20%,5.5V,GP,12.3MM,5	
C635	2401-000199	C-AL;1000UF,20%,6.3V,GP,TP,10X12.5,	
C636	2401-001978	C-AL;47UF,20%,25V,GP,TP,6.3X5,5	
C637	2401-001978	C-AL;47UF,20%,25V,GP,TP,6.3X5,5	
C638	2401-001915	C-AL;1UF,20%,50V,GP,TP,3X5,1MM	
C639	2401-001904	C-AL;10UF,20%,16V,-,TP,4X7MM,5	
C640	2401-001978	C-AL;47UF,20%,25V,GP,TP,6.3X5,5	
C641	2401-000753	C-AL;220NF,20%,50V,GP,TP,3X5,5	
C642	2401-000918	C-AL;22UF,20%,16V,GP,-,6.3X7,5	
C643	2401-001036	C-AL;33UF,20%,16V,GP,TP,6.3X5,5	

Loc. No	Part No	Description and Specification	Remark
C644	A1104-0611	C-ELEC;CE 04 -40/85 16V T 100-M SRE 3.5X5 10UF	
C645	2401-001915	C-AL;1UF,20%,50V,GP,TP,3X5,1MM	
C646	2203-001557	C-CERAMIC,CHIP;100NF,+80-20%,25V,Y5V,TP,2012,-	
C647	2203-002188	C-CERAMIC,CHIP;10NF,+80-20%,16V,Y5V,TP,2012,-	
C650	2203-002188	C-CERAMIC,CHIP;10NF,+80-20%,16V,Y5V,TP,2012,-	
C651	2401-001511	C-AL;47UF,20%,16V,GP,-,6X7,5	
C652	2203-001557	C-CERAMIC,CHIP;100NF,+80-20%,25V,Y5V,TP,2012,-	
C654	2203-001557	C-CERAMIC,CHIP;100NF,+80-20%,25V,Y5V,TP,2012,-	
C655	2203-001557	C-CERAMIC,CHIP;100NF,+80-20%,25V,Y5V,TP,2012,-	
C660	2203-001702	C-CERAMIC,CHIP;2.2NF,5%,50V,X7R,TP,2012,-	
C661	2203-001702	C-CERAMIC,CHIP;2.2NF,5%,50V,X7R,TP,2012,-	
C663	2203-000979	C-CERAMIC,CHIP;47NF,10%,50V,X7R,2012,-, TP	
C681	2203-001557	C-CERAMIC,CHIP;100NF,+80-20%,25V,Y5V,TP,2012,-	
C682	2203-001557	C-CERAMIC,CHIP;100NF,+80-20%,25V,Y5V,TP,2012,-	
C698	2203-001557	C-CERAMIC,CHIP;100NF,+80-20%,25V,Y5V,TP,2012,-	
CN601	3710-000546	CONNECTOR-SOCKET;20P,1R,1.5MM,ANGLE,SN	
CN602	3711-002445	CONNECTOR-HEADER;BOX,2P,2R,1.5MM,STRAIGHT,SN	
CN603	3711-003105	CONNECTOR-HEADER;BOX,10P,2R,2.0MM,STRAIGHT,SN	
CN604	3711-002444	CONNECTOR-HEADER;BOX,6P,2R,2.0MM,STRAIGHT,SN	
D601	0402-000127	DIODE-RECTIFIER;1N4002,100V,1A,DO-41	
D602	0401-000101	DIODE-SWITCHING;1N4148,100V,200MA,500MW,4NS,DO	
D603	0401-000101	DIODE-SWITCHING;1N4148,100V,200MA,500MW,4NS,DO	
D604	0401-000101	DIODE-SWITCHING;1N4148,100V,200MA,500MW,4NS,DO	
D605	0402-000127	DIODE-RECTIFIER;1N4002,100V,1A,DO-41	
D606	0401-000101	DIODE-SWITCHING;1N4148,100V,200MA,500MW,4NS,DO	
D607	0401-000101	DIODE-SWITCHING;1N4148,100V,200MA,500MW,4NS,DO	
D608	0401-000101	DIODE-SWITCHING;1N4148,100V,200MA,500MW,4NS,DO	
D609	0401-000101	DIODE-SWITCHING;1N4148,100V,200MA,500MW,4NS,DO	
D610	0401-000101	DIODE-SWITCHING;1N4148,100V,200MA,500MW,4NS,DO	
D6101	0401-000101	DIODE-SWITCHING;1N4148,100V,200MA,500MW,4NS,DO	
D6102	0401-000101	DIODE-SWITCHING;1N4148,100V,200MA,500MW,4NS,DO	
D6104	0401-000101	DIODE-SWITCHING;1N4148,100V,200MA,500MW,4NS,DO	
D6105	0401-000101	DIODE-SWITCHING;1N4148,100V,200MA,500MW,4NS,DO	
D6106	0401-000101	DIODE-SWITCHING;1N4148,100V,200MA,500MW,4NS,DO	
D611	0401-000101	DIODE-SWITCHING;1N4148,100V,200MA,500MW,4NS,DO	
IC601	AC09-10452Y	IC-MCU;HD6433977-RA14F,1024,8,SV-A140	
IC602	AC14-12003K	IC;KA8301(N.M),-,-	
IC603	AC14-12001K	IC;KA324,-,-	
IC604	AC14-12006C	IC;KA7533,DIP,-	
IC605	1103-001020	IC-EEPROM;24LC04,4KX8BIT,DIP,8P,300MIL,-	
L601	AC27-92001B	COIL-PEAKING AXIAL;BAL04ST101K,-,-,-,-	
L602	AC27-92001B	COIL-PEAKING AXIAL;BAL04ST101K,-,-,-,-	
L603	AC27-92001B	COIL-PEAKING AXIAL;BAL04ST101K,-,-,-,-	
L604	2701-000131	INDUCTOR-AXIAL;15UH,5%,2.4X3.4MM	
L6101	AC27-92001B	COIL-PEAKING AXIAL;BAL04ST101K,-,-,-,-	
L6103	2701-000117	INDUCTOR-AXIAL;10UH,5%,2.4X3.4MM	
L620	3301-000297	CORE-FERRITE BEAD;AA,3.6X1.2X5.7MM,1400,2900G	
L621	3301-000297	CORE-FERRITE BEAD;AA,3.6X1.2X5.7MM,1400,2900G	
LD601	0601-000495	LED-IR;ROUND,3MM,150MW,6V,950NM,BK	
PT601	0604-000188	PHOTO-INTERRUPTER;TR,-,-,DIP-4,TR	
PT602	0604-000188	PHOTO-INTERRUPTER;TR,-,-,DIP-4,TR	
Q601	0501-000398	TR-SMALL SIGNAL;KSC945,NPN,250MW,TO-92,TP,120-	
Q602	0501-000398	TR-SMALL SIGNAL;KSC945,NPN,250MW,TO-92,TP,120-	
Q603	0501-000398	TR-SMALL SIGNAL;KSC945,NPN,250MW,TO-92,TP,120-	
Q604	0501-000303	TR-SMALL SIGNAL;KSA733-Y,PNP,250MW,TO-92,-,120	

Loc. No	Part No	Description and Specification	Remark
Q605	0504-000203	TR-DIGITAL;KSR1004,NPN,300MW,47K-47K,TO-9	
Q606	0504-000203	TR-DIGITAL;KSR1004,NPN,300MW,47K-47K,TO-9	
Q607	0504-000142	TR-DIGITAL;KSR2001,PNP,300MW,4.7K-4.7K,TO	
Q608	0504-000203	TR-DIGITAL;KSR1004,NPN,300MW,47K-47K,TO-9	
Q609	AC14-12001G	IC;KA78L05,T,-	
Q6101	0501-000398	TR-SMALL SIGNAL;KSC945,NPN,250MW,TO-92,TP,120-	
Q6102	0501-000398	TR-SMALL SIGNAL;KSC945,NPN,250MW,TO-92,TP,120-	
Q6106	0501-000398	TR-SMALL SIGNAL;KSC945,NPN,250MW,TO-92,TP,120-	
Q6108	0501-000303	TR-SMALL SIGNAL;KSA733-Y,PNP,250MW,TO-92,-,120	
R601	2001-000832	R-CARBON;510OHM,5%,1/8W,AA,TP,1.8X3.2MM	
R602	2007-000804	R-CHIP;36KOHM,5%,1/10W,DA,TP,2012	
R604	2001-000010	R-CARBON;68KOHM,5%,1/8W,AA,TP,1.8X3.2MM	
R605	2007-000468	R-CHIP;1KOHM,5%,1/10W,DA,TP,2012	
R606	2001-000568	R-CARBON;27OHM,5%,1/8W,AA,TP,1.8X3.2MM	
R607	2007-000468	R-CHIP;1KOHM,5%,1/10W,DA,TP,2012	
R608	2007-001637	R-CHIP,MELF;1.2KOHM,5%,1/8W,DB,BK,2012	
R610	2004-000218	R-METAL;10KOHM,1%,1/8W,AA,TP,1.8X3.2MM	
R6101	2007-001629	R-CHIP,MELF;1.8KOHM,5%,1/8W,DB,BK,2012	
R6102	2007-001497	R-CHIP,MELF;5.6KOHM,5%,1/8W,DB,BK,2012	
R6103	2007-001623	R-CHIP,MELF;10KOHM,5%,1/8W,DB,BK,2012	
R6104	2001-000773	R-CARBON;470KOHM,5%,1/8W,AA,TP,1.8X3.2M	
R6105	2001-000429	R-CARBON;1KOHM,5%,1/8W,AA,TP,1.8X3.2MM	
R6106	2007-001586	R-CHIP,MELF;1MOHM,5%,1/8W,DB,BK,2012	
R6107	2007-001589	R-CHIP,MELF;1KOHM,5%,1/8W,DB,BK,2012	
R6109	2001-000241	R-CARBON;1.5KOHM,5%,1/8W,AA,TP,1.8X3.2M	
R6110	2007-001503	R-CHIP,MELF;47KOHM,5%,1/8W,DB,BK,2012	
R6111	2007-001497	R-CHIP,MELF;5.6KOHM,5%,1/8W,DB,BK,2012	
R6112	2001-000281	R-CARBON;100OHM,5%,1/8W,AA,TP,1.8X3.2MM	
R6113	2001-000660	R-CARBON;33KOHM,5%,1/8W,AA,TP,1.8X3.2MM	
R6114	2001-000734	R-CARBON;4.7KOHM,5%,1/8W,AA,TP,1.8X3.2M	
R6115	2007-001589	R-CHIP,MELF;1KOHM,5%,1/8W,DB,BK,2012	
R6116	2007-007166	R-CHIP,MELF;91KOHM,5%,1/8W,DB,BK,2012	
R6117	2001-000850	R-CARBON;560KOHM,5%,1/8W,AA,TP,1.8X3.2M	
R6119	2007-001486	R-CHIP,MELF;56KOHM,5%,1/8W,DB,BK,2012	
R612	2004-000218	R-METAL;10KOHM,1%,1/8W,AA,TP,1.8X3.2MM	
R6120	2007-001586	R-CHIP,MELF;1MOHM,5%,1/8W,DB,BK,2012	
R6121	2001-000429	R-CARBON;1KOHM,5%,1/8W,AA,TP,1.8X3.2MM	
R6122	2007-001623	R-CHIP,MELF;10KOHM,5%,1/8W,DB,BK,2012	
R6123	2007-001503	R-CHIP,MELF;47KOHM,5%,1/8W,DB,BK,2012	
R6124	2001-000633	R-CARBON;30KOHM,5%,1/8W,AA,TP,1.8X3.2MM	
R6125	2007-001540	R-CHIP,MELF;30KOHM,5%,1/8W,DB,BK,2012	
R6129	2001-000281	R-CARBON;100OHM,5%,1/8W,AA,TP,1.8X3.2MM	
R6131	2001-000281	R-CARBON;100OHM,5%,1/8W,AA,TP,1.8X3.2MM	
R6132	2001-000534	R-CARBON;240OHM,5%,1/8W,AA,TP,1.8X3.2MM	
R6133	2001-000515	R-CARBON;220OHM,5%,1/8W,AA,TP,1.8X3.2MM	
R6134	2007-001486	R-CHIP,MELF;56KOHM,5%,1/8W,DB,BK,2012	
R614	2007-001572	R-CHIP,MELF;220KOHM,5%,1/8W,DB,BK,2012	
R615	2007-001572	R-CHIP,MELF;220KOHM,5%,1/8W,DB,BK,2012	
R616	2001-000832	R-CARBON;510OHM,5%,1/8W,AA,TP,1.8X3.2MM	
R617	2007-001623	R-CHIP,MELF;10KOHM,5%,1/8W,DB,BK,2012	
R618	2007-001623	R-CHIP,MELF;10KOHM,5%,1/8W,DB,BK,2012	
R619	2007-001557	R-CHIP,MELF;270OHM,5%,1/8W,DB,BK,2012	
R620	2001-000832	R-CARBON;510OHM,5%,1/8W,AA,TP,1.8X3.2MM	
R621	61048-177-563	R-CARBON;RD 1/8 T 563-J	
R624	2007-001627	R-CHIP,MELF;100KOHM,5%,1/8W,DB,BK,2012	

Loc. No	Part No	Description and Specification	Reamrk
R625	2001-000290	R-CARBON;10KOHM,5%,1/8W,AA,TP,1.8X3.2MM	
R626	2007-001589	R-CHIP,MELF;1KOHM,5%,1/8W,DB,BK,2012	
R627	2001-000290	R-CARBON;10KOHM,5%,1/8W,AA,TP,1.8X3.2MM	
R628	2007-001572	R-CHIP,MELF;220KOHM,5%,1/8W,DB,BK,2012	
R629	2007-001572	R-CHIP,MELF;220KOHM,5%,1/8W,DB,BK,2012	
R630	2001-000435	R-CARBON;1MOHM,5%,1/8W,AA,TP,1.8X3.2MM	
R631	2007-001591	R-CHIP,MELF;18KOHM,5%,1/8W,DB,BK,2012	
R632	2001-000429	R-CARBON;1KOHM,5%,1/8W,AA,TP,1.8X3.2MM	
R634	2007-001612	R-CHIP,MELF;12KOHM,5%,1/8W,DB,BK,2012	
R635	2007-001589	R-CHIP,MELF;1KOHM,5%,1/8W,DB,BK,2012	
R636	2001-000281	R-CARBON;100OHM,5%,1/8W,AA,TP,1.8X3.2MM	
R637	2001-000429	R-CARBON;1KOHM,5%,1/8W,AA,TP,1.8X3.2MM	
R638	2001-000429	R-CARBON;1KOHM,5%,1/8W,AA,TP,1.8X3.2MM	
R640	2001-000429	R-CARBON;1KOHM,5%,1/8W,AA,TP,1.8X3.2MM	
R641	2001-000429	R-CARBON;1KOHM,5%,1/8W,AA,TP,1.8X3.2MM	
R642	2001-000429	R-CARBON;1KOHM,5%,1/8W,AA,TP,1.8X3.2MM	
R643	2001-000429	R-CARBON;1KOHM,5%,1/8W,AA,TP,1.8X3.2MM	
R644	2001-000429	R-CARBON;1KOHM,5%,1/8W,AA,TP,1.8X3.2MM	
R645	2001-000429	R-CARBON;1KOHM,5%,1/8W,AA,TP,1.8X3.2MM	
R646	2001-000429	R-CARBON;1KOHM,5%,1/8W,AA,TP,1.8X3.2MM	
R648	2007-001589	R-CHIP,MELF;1KOHM,5%,1/8W,DB,BK,2012	
R649	2001-000429	R-CARBON;1KOHM,5%,1/8W,AA,TP,1.8X3.2MM	
R651	2001-000786	R-CARBON;47KOHM,5%,1/8W,AA,TP,1.8X3.2MM	
R652	2001-000429	R-CARBON;1KOHM,5%,1/8W,AA,TP,1.8X3.2MM	
R653	61048-177-563	R-CARBON;RD 1/8 T 563-J	
R654	61048-177-563	R-CARBON;RD 1/8 T 563-J	
R655	2007-001557	R-CHIP,MELF;270OHM,5%,1/8W,DB,BK,2012	
R656	2001-000605	R-CARBON;3.6KOHM,5%,1/8W,AA,TP,1.8X3.2MM	
R657	2007-001596	R-CHIP,MELF;16KOHM,5%,1/8W,DB,BK,2012	
R658	2007-001568	R-CHIP,MELF;22KOHM,5%,1/8W,DB,BK,2012	
R659	2007-001596	R-CHIP,MELF;16KOHM,5%,1/8W,DB,BK,2012	
R660	2001-000281	R-CARBON;100OHM,5%,1/8W,AA,TP,1.8X3.2MM	
R661	2001-000429	R-CARBON;1KOHM,5%,1/8W,AA,TP,1.8X3.2MM	
R662	2001-000429	R-CARBON;1KOHM,5%,1/8W,AA,TP,1.8X3.2MM	
R663	2001-000429	R-CARBON;1KOHM,5%,1/8W,AA,TP,1.8X3.2MM	
R664	2001-000429	R-CARBON;1KOHM,5%,1/8W,AA,TP,1.8X3.2MM	
R665	2001-000577	R-CARBON;2KOHM,5%,1/8W,AA,TP,1.8X3.2MM	
R666	2001-000429	R-CARBON;1KOHM,5%,1/8W,AA,TP,1.8X3.2MM	
R667	2001-000281	R-CARBON;100OHM,5%,1/8W,AA,TP,1.8X3.2MM	
R668	2007-001557	R-CHIP,MELF;270OHM,5%,1/8W,DB,BK,2012	
R669	2007-001623	R-CHIP,MELF;10KOHM,5%,1/8W,DB,BK,2012	
R670	2001-000435	R-CARBON;1MOHM,5%,1/8W,AA,TP,1.8X3.2MM	
R671	2007-001589	R-CHIP,MELF;1KOHM,5%,1/8W,DB,BK,2012	
R672	2001-000290	R-CARBON;10KOHM,5%,1/8W,AA,TP,1.8X3.2MM	
R673	2001-000281	R-CARBON;100OHM,5%,1/8W,AA,TP,1.8X3.2MM	
R674	2001-000429	R-CARBON;1KOHM,5%,1/8W,AA,TP,1.8X3.2MM	
R675	2007-001589	R-CHIP,MELF;1KOHM,5%,1/8W,DB,BK,2012	
R676	2001-000429	R-CARBON;1KOHM,5%,1/8W,AA,TP,1.8X3.2MM	
R677	2001-000429	R-CARBON;1KOHM,5%,1/8W,AA,TP,1.8X3.2MM	
R678	2001-000429	R-CARBON;1KOHM,5%,1/8W,AA,TP,1.8X3.2MM	
R679	2001-000429	R-CARBON;1KOHM,5%,1/8W,AA,TP,1.8X3.2MM	
R681	2007-001589	R-CHIP,MELF;1KOHM,5%,1/8W,DB,BK,2012	
R682	2001-000429	R-CARBON;1KOHM,5%,1/8W,AA,TP,1.8X3.2MM	
R683	2001-000429	R-CARBON;1KOHM,5%,1/8W,AA,TP,1.8X3.2MM	
R684	2001-000429	R-CARBON;1KOHM,5%,1/8W,AA,TP,1.8X3.2MM	

Loc. No	Part No	Description and Specification	Remark
R685	2001-000429	R-CARBON;1KOHM,5%,1/8W,AA,TP,1.8X3.2MM	
R686	2001-000429	R-CARBON;1KOHM,5%,1/8W,AA,TP,1.8X3.2MM	
R687	2007-001586	R-CHIP,MELF;1MOHM,5%,1/8W,DB,BK,2012	
R688	2001-000429	R-CARBON;1KOHM,5%,1/8W,AA,TP,1.8X3.2MM	
R689	2001-000290	R-CARBON;10KOHM,5%,1/8W,AA,TP,1.8X3.2MM	
R690	2007-001589	R-CHIP,MELF;1KOHM,5%,1/8W,DB,BK,2012	
R691	2007-001589	R-CHIP,MELF;1KOHM,5%,1/8W,DB,BK,2012	
R692	2001-000837	R-CARBON;51KOHM,5%,1/8W,AA,TP,1.8X3.2MM	
R693	2001-000221	R-CARBON;1.2KOHM,5%,1/8W,AA,TP,1.8X3.2M	
R694	2001-000290	R-CARBON;10KOHM,5%,1/8W,AA,TP,1.8X3.2MM	
R695	2001-000290	R-CARBON;10KOHM,5%,1/8W,AA,TP,1.8X3.2MM	
R696	2001-000734	R-CARBON;4.7KOHM,5%,1/8W,AA,TP,1.8X3.2M	
R697	2003-000259	R-METAL OXIDE;3.9OHM,5%,2W,AE,TP,6X16MM	
R698	2001-000429	R-CARBON;1KOHM,5%,1/8W,AA,TP,1.8X3.2MM	
RS601	3409-000176	SWITCH-DETECTOR;30VDC,100MA,SPST,-,-	
S601	0603-000112	PHOTO-TR;NPN,35V,6V,50MA,75MW,-	
S602	0603-000112	PHOTO-TR;NPN,35V,6V,50MA,75MW,-	
SW601	AC34-22001E	SWITCH-PROGRAM;MXS00281MLB0,-,-,-,-,-,-	
W144	2001-000429	R-CARBON;1KOHM,5%,1/8W,AA,TP,1.8X3.2MM	
XT601	2801-003293	CRYSTAL-UNIT;10MHZ,50PPM,28-AAA,16PF,50OHM,	
XT602	64539-021-009	CRYSTAL;32.768KHZ	
XT6102	2801-003311	CRYSTAL-UNIT;17.734476MHZ,50PPM,28-AAA,16PF	

AUDIO/VIDEO PARTS

C305	2203-002188	C-CERAMIC,CHIP;10NF,+80-20%,16V,Y5V,TP,2012,-	
C306	2203-002188	C-CERAMIC,CHIP;10NF,+80-20%,16V,Y5V,TP,2012,-	
C307	2203-002188	C-CERAMIC,CHIP;10NF,+80-20%,16V,Y5V,TP,2012,-	
C308	2203-002188	C-CERAMIC,CHIP;10NF,+80-20%,16V,Y5V,TP,2012,-	
C309	2203-002188	C-CERAMIC,CHIP;10NF,+80-20%,16V,Y5V,TP,2012,-	
C310	2203-002188	C-CERAMIC,CHIP;10NF,+80-20%,16V,Y5V,TP,2012,-	
C311	2203-002188	C-CERAMIC,CHIP;10NF,+80-20%,16V,Y5V,TP,2012,-	
C312	2203-002188	C-CERAMIC,CHIP;10NF,+80-20%,16V,Y5V,TP,2012,-	
C313	2203-002188	C-CERAMIC,CHIP;10NF,+80-20%,16V,Y5V,TP,2012,-	
C314	2401-001975	C-AL;47UF,20%,16V,GP,TP,5X11MM,5	
C315	2203-001557	C-CERAMIC,CHIP;100NF,+80-20%,25V,Y5V,TP,2012,-	
C316	2203-002188	C-CERAMIC,CHIP;10NF,+80-20%,16V,Y5V,TP,2012,-	
C317	2401-001912	C-AL;1UF,20%,50V,GP,BK,5X11MM,2MM	
C318	2203-002188	C-CERAMIC,CHIP;10NF,+80-20%,16V,Y5V,TP,2012,-	
C319	2202-000797	C-CERAMIC,MLC-AXIAL;10NF,30%,16V,Y5P,TP,3.5X19,-	
C320	2203-002188	C-CERAMIC,CHIP;10NF,+80-20%,16V,Y5V,TP,2012,-	
C321	2203-002188	C-CERAMIC,CHIP;10NF,+80-20%,16V,Y5V,TP,2012,-	
C322	2203-002188	C-CERAMIC,CHIP;10NF,+80-20%,16V,Y5V,TP,2012,-	
C324	B1102-0113	C-FILM;CQ 922 P 100V 473-J CQ298PVT473J ECQV473J	
C325	2203-002188	C-CERAMIC,CHIP;10NF,+80-20%,16V,Y5V,TP,2012,-	
C326	2202-000797	C-CERAMIC,MLC-AXIAL;10NF,30%,16V,Y5P,TP,3.5X19,-	
C327	2203-002188	C-CERAMIC,CHIP;10NF,+80-20%,16V,Y5V,TP,2012,-	
C328	2203-001620	C-CERAMIC,CHIP MELF;27PF,5%,50V,SL,TP,2012,2MM	
C329	2203-002188	C-CERAMIC,CHIP;10NF,+80-20%,16V,Y5V,TP,2012,-	
C330	2202-000797	C-CERAMIC,MLC-AXIAL;10NF,30%,16V,Y5P,TP,3.5X19,-	
C331	2401-000918	C-AL;22UF,20%,16V,GP,-,6.3X7,5	
C332	2203-001524	C-CERAMIC,CHIP;47PF,5%,50V,NPO,TP,2012,-	
C333	2203-000840	C-CERAMIC,CHIP;390PF,5%,50V,NPO,TP,2012,-	
C335	2203-001580	C-CERAMIC,CHIP MELF;15PF,5%,50V,SL,TP,2012,2MM	
C336	2203-001606	C-CERAMIC,CHIP MELF;220PF,10%,50V,Y5P,TP,2012,2M	
C337	2203-000540	C-CERAMIC,CHIP;200PF,5%,50V,NPO,TP,2012,-	

Loc. No	Part No	Description and Specification	Remark
C338	2203-001589	C-CERAMIC,CHIP MELF;18PF,5%,50V,SL,TP,2012,2MM	
C339	2203-001558	C-CERAMIC,CHIP MELF;100PF,10%,50V,Y5E,TP,2012,2MM	
C340	2401-001965	C-AL;470NF,20%,50V,-,BK,4X7MM,1.5MM	
C341	2401-001917	C-AL;1UF,20%,50V,-,TP,5X7MM,5	
C342	2202-000780	C-CERAMIC,MLC-AXIAL;100NF,+80-20%,50V,Y5V,TP,3.5	
C343	2401-001975	C-AL;47UF,20%,16V,GP,TP,5X11MM,5	
C344	2401-000419	C-AL;10UF,20%,16V,GP,-,4X7,5	
C345	2202-000780	C-CERAMIC,MLC-AXIAL;100NF,+80-20%,50V,Y5V,TP,3.5	
C346	2401-001975	C-AL;47UF,20%,16V,GP,TP,5X11MM,5	
C347	2401-000419	C-AL;10UF,20%,16V,GP,-,4X7,5	
C348	2401-001912	C-AL;1UF,20%,50V,GP,BK,5X11MM,2MM	
C349	2401-001912	C-AL;1UF,20%,50V,GP,BK,5X11MM,2MM	
C350	2202-000797	C-CERAMIC,MLC-AXIAL;10NF,30%,16V,Y5P,TP,3.5X19,-	
C351	2203-001557	C-CERAMIC,CHIP;100NF,+80-20%,25V,Y5V,TP,2012,	
C352	2401-001975	C-AL;47UF,20%,16V,GP,TP,5X11MM,5	
C353	2202-000797	C-CERAMIC,MLC-AXIAL;10NF,30%,16V,Y5P,TP,3.5X19,-	
C355	2202-000797	C-CERAMIC,MLC-AXIAL;10NF,30%,16V,Y5P,TP,3.5X19,-	
C356	2203-002188	C-CERAMIC,CHIP;10NF,+80-20%,16V,Y5V,TP,2012,-	
C357	2203-001557	C-CERAMIC,CHIP;100NF,+80-20%,25V,Y5V,TP,2012,	
C358	2401-001912	C-AL;1UF,20%,50V,GP,BK,5X11MM,2MM	
C359	2203-002188	C-CERAMIC,CHIP;10NF,+80-20%,16V,Y5V,TP,2012,-	
C360	2202-000780	C-CERAMIC,MLC-AXIAL;100NF,+80-20%,50V,Y5V,TP,3.5	
C361	2401-001975	C-AL;47UF,20%,16V,GP,TP,5X11MM,5	
C362	2401-001912	C-AL;1UF,20%,50V,GP,BK,5X11MM,2MM	
C363	2203-001608	C-CERAMIC,CHIP;22NF,+80-20%,50V,Y5V,TP,2012,-	
C364	2401-001912	C-AL;1UF,20%,50V,GP,BK,5X11MM,2MM	
C366	2202-000797	C-CERAMIC,MLC-AXIAL;10NF,30%,16V,Y5P,TP,3.5X19,-	
C367	2203-001557	C-CERAMIC,CHIP;100NF,+80-20%,25V,Y5V,TP,2012,	
C368	2203-000979	C-CERAMIC,CHIP;47NF,10%,50V,X7R,2012,-,TP	
C369	2401-001912	C-AL;1UF,20%,50V,GP,BK,5X11MM,2MM	
C370	B1102-0113	C-FILM;CQ 922 P 100V 473-J CQ298PVT473J ECQV473J	
C371	2202-000797	C-CERAMIC,MLC-AXIAL;10NF,30%,16V,Y5P,TP,3.5X19,-	
C373	2301-000439	C-FILM,PEF;3NF,5%,50V,TP,5.5X7X3MM,5MM	
C374	2202-000781	C-CERAMIC,MLC-AXIAL;100PF,10%,50V,Y5P,TP,3.5X19,	
C380	2401-001905	C-AL;10UF,20%,16V,BP,BK,6X11MM,2.5M	
C399	2202-000796	C-CERAMIC,MLC-AXIAL;1NF,10%,50V,Y5P,TP,3.5X19,-	
C3A01	2401-001893	C-AL;100UF,20%,16V,-,TP,6.3X7MM,5	
C3A02	2301-000392	C-FILM,PEF;15NF,5%,50V,TP,6.5X8.5X3.2MM,5	
C3A03	2401-001511	C-AL;47UF,20%,16V,GP,-,6X7,5	
C3A04	2301-000299	C-FILM,PEF;6.8NF,5%,100V,TP,5.8X12.5MM,5M	
C3A05	2301-000161	C-FILM,PEF;12NF,5%,50V,TP,6.5X5.5X3.0X5,5	
C3A06	2301-000408	C-FILM,PEF;2.7NF,5%,50V,TP,5.5X7X3MM,5MM	
C3A07	2301-000402	C-FILM,PEF;1NF,5%,50V,TP,5X7X2.8MM,5MM	
C3A08	2401-001917	C-AL;1UF,20%,50V,-,TP,5X7MM,5	
C3A09	2401-003122	C-AL;4.7UF,20%,50V,LL,TP,4X7,1.5	
C3A10	2401-001904	C-AL;10UF,20%,16V,-,TP,4X7MM,5	
C3A11	2401-001975	C-AL;47UF,20%,16V,GP,TP,5X11MM,5	
C3A12	2301-000383	C-FILM,PEF;10NF,5%,50V,TP,6X7X3.2MM,5MM	
C3A13	2202-000796	C-CERAMIC,MLC-AXIAL;1NF,10%,50V,Y5P,TP,3.5X19,-	
C3A15	2401-001912	C-AL;1UF,20%,50V,GP,BK,5X11MM,2MM	
C3A16	2401-001912	C-AL;1UF,20%,50V,GP,BK,5X11MM,2MM	
C3A17	2202-000855	C-CERAMIC,MLC-AXIAL;6.8NF,30%,16V,Y5R,TP,3.5X1.9	
C3A18	2202-000855	C-CERAMIC,MLC-AXIAL;6.8NF,30%,16V,Y5R,TP,3.5X1.9	
C3A19	2202-000856	C-CERAMIC,MLC-AXIAL;8.2NF,30%,16V,Y5R,TP,3.5X1.9	
C3A21	2401-000918	C-AL;22UF,20%,16V,GP,-,6.3X7,5	

Loc. No	Part No	Description and Specification	Remark
C3A22	2301-000217	C-FILM,PEF;220NF,5%,50V,TP,8.0X9.5X4.5X5,	
C3A23	2401-001169	C-AL;33UF,20%,16V,GP,-,6.3X7,2.5MM	
C3A25	2202-000780	C-CERAMIC,MLC-AXIAL;100NF,+80-20%,50V,Y5V,TP,3.5	
C3A26	2401-001975	C-AL;47UF,20%,16V,GP,TP,5X11MM,5	
C3A27	2401-001904	C-AL;10UF,20%,16V,-,TP,4X7MM,5	
C3A28	2203-001557	C-CERAMIC,CHIP;100NF,+80-20%,25V,Y5V,TP,2012,	
C3A29	2301-000383	C-FILM,PEF;10NF,5%,50V,TP,6X7X3.2MM,5MM	
C3A30	2301-000392	C-FILM,PEF;15NF,5%,50V,TP,6.5X8.5X3.2MM,5	
C5D01	B1102-0113	C-FILM;CQ 922 P 100V 473-J CQ298PVT473J ECQV473J	
C5D02	2401-001511	C-AL;47UF,20%,16V,GP,-,6X7,5	
C5D03	2203-002188	C-CERAMIC,CHIP;10NF,+80-20%,16V,Y5V,TP,2012,-	
C5D04	2301-000264	C-FILM,PEF;4.7NF,5%,50V,TP,6.5X5.5X3.0X5,	
C5D05	2301-000383	C-FILM,PEF;10NF,5%,50V,TP,6X7X3.2MM,5MM	
CN301	3708-000391	CONNECTOR-FPC/FC/PIC;10P,1.25MM,STRAIGHT,SN	
CN3A01	3708-001053	CONNECTOR-FPC/FC/PIC;7P,1.25MM,STRAIGHT,SN	
CN3A02	3711-000371	CONNECTOR-HEADER;-2P,1R,2MM,STRAIGHT,-	
D301	0401-000101	DIODE-SWITCHING;1N4148,100V,200MA,500MW,4NS,DO	
FL3A01	AC27-80100A	COIL-OSC;126QN-K5272YHC=K,-,AM	
FL5D01	AC27-82001C	COIL-BAIS OSC;B02,W(TOKO)VX1850,-	
IC301	1204-001057	IC-SIGNAL PROCESSOR;SS11511M,QFP,80P,-,PLASTIC,7	
IC302	AC14-12013F	IC-LINEAR;LA7416,DIP,BULK	
IC303	1209-001023	IC-DELAY LINE;SS23377M,SOP,14P,225MIL,PLASTI	
L301	AC27-92001B	COIL-PEAKING AXIAL;BAL04ST101K,-,-,-,-	
L303	2701-000206	INDUCTOR-AXIAL;56UH,5%,2.4X3.4MM	
L304	2701-000206	INDUCTOR-AXIAL;56UH,5%,2.4X3.4MM	
L308	AC27-92001B	COIL-PEAKING AXIAL;BAL04ST101K,-,-,-,-	
L3A02	AC27-92001B	COIL-PEAKING AXIAL;BAL04ST101K,-,-,-,-	
L3A03	2702-000120	INDUCTOR-RADIAL;15MH,5%,6.2X7.4MM	
L3A04	AC27-92001B	COIL-PEAKING AXIAL;BAL04ST101K,-,-,-,-	
L5D01	AC27-92001B	COIL-PEAKING AXIAL;BAL04ST101K,-,-,-,-	
Q302	0501-000303	TR-SMALL SIGNAL;KSA733-Y,PNP,250MW,TO-92,-,120	
Q303	0501-000303	TR-SMALL SIGNAL;KSA733-Y,PNP,250MW,TO-92,-,120	
Q304	0501-000398	TR-SMALL SIGNAL;KSC945,NPN,250MW,TO-92,TP,120-	
Q306	0504-000203	TR-DIGITAL;KSR1004,NPN,300MW,47K-47K,TO-9	
Q307	0504-000203	TR-DIGITAL;KSR1004,NPN,300MW,47K-47K,TO-9	
Q308	0504-000203	TR-DIGITAL;KSR1004,NPN,300MW,47K-47K,TO-9	
Q309	0501-000398	TR-SMALL SIGNAL;KSC945,NPN,250MW,TO-92,TP,120-	
Q310	0501-000303	TR-SMALL SIGNAL;KSA733-Y,PNP,250MW,TO-92,-,120	
Q312	0501-000398	TR-SMALL SIGNAL;KSC945,NPN,250MW,TO-92,TP,120-	
Q3A01	0501-000398	TR-SMALL SIGNAL;KSC945,NPN,250MW,TO-92,TP,120-	
Q3A02	0501-000398	TR-SMALL SIGNAL;KSC945,NPN,250MW,TO-92,TP,120-	
Q3A03	0501-000010	TR-SMALL SIGNAL;KSC1008-Y,NPN,80V,60V,700MA,80	
Q3A04	0501-000303	TR-SMALL SIGNAL;KSA733-Y,PNP,250MW,TO-92,-,120	
Q3A05	0501-000398	TR-SMALL SIGNAL;KSC945,NPN,250MW,TO-92,TP,120-	
Q3A06	0504-000203	TR-DIGITAL;KSR1004,NPN,300MW,47K-47K,TO-9	
Q5D01	0501-000010	TR-SMALL SIGNAL;KSC1008-Y,NPN,80V,60V,700MA,80	
Q5D02	0504-000142	TR-DIGITAL;KSR2001,PNP,300MW,4.7K-4.7K,TO	
Q5D03	0504-000203	TR-DIGITAL;KSR1004,NPN,300MW,47K-47K,TO-9	
R301	2001-000302	R-CARBON;100HM,5%,1/8W,AA,TP,1.8X3.2MM	
R302	2001-000302	R-CARBON;100HM,5%,1/8W,AA,TP,1.8X3.2MM	
R303	2007-001568	R-CHIP,MELF;22KOHM,5%,1/8W,DB,BK,2012	
R304	2001-000522	R-CARBON;22KOHM,5%,1/8W,AA,TP,1.8X3.2MM	
R305	2007-000518	R-CHIP;2.7KOHM,5%,1/10W,DA,TP,2012	
R306	61048-177-563	R-CARBON;RD 1/8 T 563-J	
R307	2007-001627	R-CHIP,MELF;33KOHM,5%,1/8W,DB,BK,2012	

Loc. No	Part No	Description and Specification	Remark
R309	2007-001553	R-CHIP,MELF;2KOHM,5%,1/8W,DB,BK,2012	
R310	2007-001546	R-CHIP,MELF;3.9KOHM,5%,1/8W,DB,BK,2012	
R311	2007-001454	R-CHIP,MELF;820OHM,5%,1/8W,DB,BK,2012	
R312	2007-001553	R-CHIP,MELF;33KOHM,5%,1/8W,DB,BK,2012	
R313	2007-001513	R-CHIP,MELF;4.7KOHM,5%,1/8W,DB,BK,2012	
R314	2007-001557	R-CHIP,MELF;270OHM,5%,1/8W,DB,BK,2012	
R315	2007-001546	R-CHIP,MELF;3.9KOHM,5%,1/8W,DB,BK,2012	
R316	2007-001458	R-CHIP,MELF;8.2KOHM,5%,1/8W,DB,BK,2012	
R317	2007-001534	R-CHIP,MELF;33KOHM,5%,1/8W,DB,BK,2012	
R318	2007-001534	R-CHIP,MELF;33KOHM,5%,1/8W,DB,BK,2012	
R319	2007-001521	R-CHIP,MELF;390OHM,5%,1/8W,DB,BK,2012	
R320	2007-001637	R-CHIP,MELF;1.2KOHM,5%,1/8W,DB,BK,2012	
R321	2007-001521	R-CHIP,MELF;390OHM,5%,1/8W,DB,BK,2012	
R322	2001-000241	R-CARBON;1.5KOHM,5%,1/8W,AA,TP,1.8X3.2M	
R323	2007-001513	R-CHIP,MELF;4.7KOHM,5%,1/8W,DB,BK,2012	
R324	2007-001633	R-CHIP,MELF;1.5KOHM,5%,1/8W,DB,BK,2012	
R325	2007-001536	R-CHIP,MELF;330OHM,5%,1/8W,DB,BK,2012	
R327	2007-001633	R-CHIP,MELF;1.5KOHM,5%,1/8W,DB,BK,2012	
R328	2007-001637	R-CHIP,MELF;1.2KOHM,5%,1/8W,DB,BK,2012	
R329	2007-001584	R-CHIP,MELF;2.2KOHM,5%,1/8W,DB,BK,2012	
R331	2007-001584	R-CHIP,MELF;2.2KOHM,5%,1/8W,DB,BK,2012	
R332	2007-001589	R-CHIP,MELF;1KOHM,5%,1/8W,DB,BK,2012	
R333	2007-001458	R-CHIP,MELF;8.2KOHM,5%,1/8W,DB,BK,2012	
R335	2007-001616	R-CHIP,MELF;120KOHM,5%,1/8W,DB,BK,2012	
R337	2001-000472	R-CARBON;2.7KOHM,5%,1/8W,AA,TP,1.8X3.2M	
R338	2001-000734	R-CARBON;4.7KOHM,5%,1/8W,AA,TP,1.8X3.2M	
R339	2001-000429	R-CARBON;1KOHM,5%,1/8W,AA,TP,1.8X3.2MM	
R340	2001-000449	R-CARBON;2.2KOHM,5%,1/8W,AA,TP,1.8X3.2M	
R341	2001-000472	R-CARBON;2.7KOHM,5%,1/8W,AA,TP,1.8X3.2M	
R350	2007-001629	R-CHIP,MELF;1.8KOHM,5%,1/8W,DB,BK,2012	
R351	2007-001616	R-CHIP,MELF;120KOHM,5%,1/8W,DB,BK,2012	
R399	2007-001536	R-CHIP,MELF;330OHM,5%,1/8W,DB,BK,2012	
R3A02	2001-000405	R-CARBON;180OHM,5%,1/8W,AA,TP,1.8X3.2MM	
R3A03	2001-000780	R-CARBON;470OHM,5%,1/8W,AA,TP,1.8X3.2MM	
R3A04	2007-001612	R-CHIP,MELF;12KOHM,5%,1/8W,DB,BK,2012	
R3A05	2007-001584	R-CHIP,MELF;2.2KOHM,5%,1/8W,DB,BK,2012	
R3A06	2007-001584	R-CHIP,MELF;2.2KOHM,5%,1/8W,DB,BK,2012	
R3A07	2001-000458	R-CARBON;2.2OHM,5%,1/8W,AA,TP,1.8X3.2MM	
R3A08	2001-000290	R-CARBON;10KOHM,5%,1/8W,AA,TP,1.8X3.2MM	
R3A09	2001-000522	R-CARBON;22KOHM,5%,1/8W,AA,TP,1.8X3.2MM	
R3A10	2007-001633	R-CHIP,MELF;1.5KOHM,5%,1/8W,DB,BK,2012	
R3A11	2007-001534	R-CHIP,MELF;33KOHM,5%,1/8W,DB,BK,2012	
R3A12	2001-000405	R-CARBON;180OHM,5%,1/8W,AA,TP,1.8X3.2MM	
R3A13	2001-000645	R-CARBON;330KOHM,5%,1/8W,AA,TP,1.8X3.2M	
R3A14	2001-000734	R-CARBON;4.7KOHM,5%,1/8W,AA,TP,1.8X3.2M	
R3A15	2007-001612	R-CHIP,MELF;12KOHM,5%,1/8W,DB,BK,2012	
R3A16	2007-001612	R-CHIP,MELF;12KOHM,5%,1/8W,DB,BK,2012	
R3A17	2001-000802	R-CARBON;5.6KOHM,5%,1/8W,AA,TP,1.8X3.2M	
R3A19	2001-000221	R-CARBON;1.2KOHM,5%,1/8W,AA,TP,1.8X3.2M	
R3A22	2007-001486	R-CHIP,MELF;56KOHM,5%,1/8W,DB,BK,2012	
R3A24	2001-000454	R-CARBON;2.2MOHM,5%,1/8W,AA,TP,1.8X3.2M	
R3A25	2007-007166	R-CHIP,MELF;91KOHM,5%,1/8W,DB,BK,2012	
R3A27	2007-001513	R-CHIP,MELF;4.7KOHM,5%,1/8W,DB,BK,2012	
R3A28	2007-001623	R-CHIP,MELF;10KOHM,5%,1/8W,DB,BK,2012	
R3A29	2007-001517	R-CHIP,MELF;1KOHM,5%,1/8W,DB,BK,2012	

Loc. No	Part No	Description and Specification	Remark
R3A30	2001-000800	R-CARBON;5.1KOHM,5%,1/8W,AA,TP,1.8X3.2M	
R3A31	2001-000290	R-CARBON;10KOHM,5%,1/8W,AA,TP,1.8X3.2MM	
R3A32	2001-000904	R-CARBON;620OHM,5%,1/8W,AA,TP,1.8X3.2MM	
R5D01	2001-000793	R-CARBON;47OHM,5%,1/8W,AA,TP,1.8X3.2MM	
R5D02	2001-000522	R-CARBON;22KOHM,5%,1/8W,AA,TP,1.8X3.2MM	
R5D03	2001-000745	R-CARBON;4.7OHM,5%,1/8W,AA,TP,1.8X3.2MM	
XT301	B1280-0169	CRYSTAL;4.433619MHZ HC-49/U-S 15PPM SERIES TYPE	

IF PARTS

C401	2203-002188	C-CERAMIC,CHIP;10NF,+80-20%,16V,Y5V,TP,2012,-	
C402	2203-002188	C-CERAMIC,CHIP;10NF,+80-20%,16V,Y5V,TP,2012,-	
C404	2202-000797	C-CERAMIC,MLC-AXIAL;10NF,30%,16V,Y5P,TP,3.5X19,-	
C409	2203-001557	C-CERAMIC,CHIP;100NF,+80-20%,25V,Y5V,TP,2012,-	
C410	2203-001557	C-CERAMIC,CHIP;100NF,+80-20%,25V,Y5V,TP,2012,-	
C411	2301-000129	C-FILM,PEF;100NF,5%,50V,TP,10X9X4.3X5,5MM	
C412	2203-000429	C-CERAMIC,CHIP;18PF,5%,50V,NPO,2012,-,TP	
C414	2203-001557	C-CERAMIC,CHIP;100NF,+80-20%,25V,Y5V,TP,2012,-	
C416	2401-001919	C-AL;2.2UF,20%,50V,-,TP,4X7MM,5	
C419	2401-001954	C-AL;4.7UF,20%,50V,GP,BK,5X11MM,5	
C421	2202-000787	C-CERAMIC,MLC-AXIAL;10PF,5%,50V,Y5P,TP,3.5X19,-	
C423	2203-001557	C-CERAMIC,CHIP;100NF,+80-20%,25V,Y5V,TP,2012,-	
C425	2401-001919	C-AL;2.2UF,20%,50V,-,TP,4X7MM,5	
C426	2203-001557	C-CERAMIC,CHIP;100NF,+80-20%,25V,Y5V,TP,2012,-	
C427	2401-001975	C-AL;47UF,20%,16V,GP,TP,5X11MM,5	
C428	2203-002188	C-CERAMIC,CHIP;10NF,+80-20%,16V,Y5V,TP,2012,-	
C429	2201-000800	C-CERAMIC,DISC;120PF,5%,50V,SL,TP,5X3,5	
C431	2202-000279	C-CERAMIC,MLC-AXIAL;47PF,5%,50V,SL,3.5X19,-,TP	
C4A1	2401-000475	C-AL;10UF,20%,50V,GP,-,5X11,2MM	
C4A2	2203-001557	C-CERAMIC,CHIP;100NF,+80-20%,25V,Y5V,TP,2012,-	
C4A4	2301-000129	C-FILM,PEF;100NF,5%,50V,TP,10X9X4.3X5,5MM	
C4A5	2301-000129	C-FILM,PEF;100NF,5%,50V,TP,10X9X4.3X5,5MM	
C4A6	2301-000129	C-FILM,PEF;100NF,5%,50V,TP,10X9X4.3X5,5MM	
C4A7	2401-001364	C-AL;470UF,20%,16V,GP,TP,10X12MM,5M	
C4A8	2203-001557	C-CERAMIC,CHIP;100NF,+80-20%,25V,Y5V,TP,2012,-	
C4A9	2203-001557	C-CERAMIC,CHIP;100NF,+80-20%,25V,Y5V,TP,2012,-	
D410	0402-000127	DIODE-RECTIFIER;1N4002,100V,1A,DO-41	
FL401	2904-001016	FILTER-SAW AV;38.9MHZ,SIP5K,TP,15.3DB,PAL-B/	
FL403	2903-000193	FILTER-CERAMIC;BR,6.0MHZ	
FL404	2903-000185	FILTER-CERAMIC;BP,5.5MHZ,+/-75KHZ,6DB,-,TP	
FL407	2903-000178	FILTER-CERAMIC;BP,5.5MHZ,-,-,-,TP,-	
FL408	2903-000178	FILTER-CERAMIC;BP,5.5MHZ,-,-,-,TP,-	
IC401	AC14-12011Q	IC-LINEAR;TDA9800,DIP,NEG DEMOD	
IC4A1	AC14-12003P	IC;LA7920,-,-	
IC4A2	AC14-12003T	IC-L;KA33V TAPG,-,-	
L401	2701-000145	INDUCTOR-AXIAL;1UH,5%,2.4X3.4MM	
L402	2701-000145	INDUCTOR-AXIAL;1UH,5%,2.4X3.4MM	
L403	2701-000181	INDUCTOR-AXIAL;33UH,5%,2.4X3.4MM	
L405	2702-000185	INDUCTOR-RADIAL;8.2UH,5%,6X6.4MM	
L415	3301-000297	CORE-FERRITE BEAD;AA,3.6X1.2X5.7MM,1400,2900G	
L4A1	AC27-92001B	COIL-PEAKING AXIAL;BAL04ST101K,-,-,-,-	
Q401	0501-000436	TR-SMALL SIGNAL;KTC3197,NPN,625MW,TO-92,TP,20-	
Q402	0501-000398	TR-SMALL SIGNAL;KSC945,NPN,250MW,TO-92,TP,120-	
Q4A1	0501-000398	TR-SMALL SIGNAL;KSC945,NPN,250MW,TO-92,TP,120-	
Q4A2	0504-000203	TR-DIGITAL;KSR1004,MPN,300MW,4.7K-4.7K,TO-9	
Q4A3	0504-000142	TR-DIGITAL;KSR2001,PMP,3MW,4.7K-4.7K,TO	

Loc. No	Part No	Description and Specification	Remark
R402	2001-000802	R-CARBON;5.6KOHM,5%,1/8W,AA,TP,1.8X3.2M	
R403	2007-001637	R-CHIP,MELF;1.2KOHM,5%,1/8W,DB,BK,2012	
R404	2007-001629	R-CHIP,MELF;1.8KOHM,5%,1/8W,DB,BK,2012	
R405	2001-000281	R-CARBON;100OHM,5%,1/8W,AA,TP,1.8X3.2MM	
R406	2001-000554	R-CARBON;270OHM,5%,1/8W,AA,TP,1.8X3.2MM	
R410	2001-000857	R-CARBON;560OHM,5%,1/8W,AA,TP,1.8X3.2MM	
R414	2007-000518	R-CHIP;2.7KOHM,5%,1/10W,DA,TP,2012	
R415	2001-000003	R-CARBON;330OHM,5%,1/8W,AA,TP,1.8X3.2MM	
R416	2001-000362	R-CARBON;150OHM,5%,1/8W,AA,TP,1.8X3.2MM	
R417	2001-000515	R-CARBON;220OHM,5%,1/8W,AA,TP,1.8X3.2MM	
R418	2001-000281	R-CARBON;100OHM,5%,1/8W,AA,TP,1.8X3.2MM	
R419	2001-000429	R-CARBON;1KOHM,5%,1/8W,AA,TP,1.8X3.2MM	
R420	2007-001641	R-CHIP,MELF;0OHM,5%,1/8W,DB,BK,2012	
R421	2007-001766	R-CHIP;330OHM,5%,1/10W,DA,TP,2012	
R424	2007-001574	R-CHIP,MELF;20KOHM,5%,1/8W,DB,BK,2012	
R425	2007-001503	R-CHIP,MELF;47KOHM,5%,1/8W,DB,BK,2012	
R426	2007-000798	R-CHIP;360OHM,5%,1/10W,DA,TP,2012	
R428	2007-001568	R-CHIP,MELF;22KOHM,5%,1/8W,DB,BK,2012	
R429	2007-001568	R-CHIP,MELF;22KOHM,5%,1/8W,DB,BK,2012	
R432	2001-000793	R-CARBON;47OHM,5%,1/8W,AA,TP,1.8X3.2MM	
R435	2007-000872	R-CHIP;4.7KOHM,5%,1/10W,DA,TP,2012	
R436	2001-000734	R-CARBON;4.7KOHM,5%,1/8W,AA,TP,1.8X3.2M	
R4A0	2001-000595	R-CARBON;3.3MOHM,5%,1/8W,AA,TP,1.8X3.2M	
R4A1	2007-001623	R-CHIP,MELF;10KOHM,5%,1/8W,DB,BK,2012	
R4A2	2001-000718	R-CARBON;4.3KOHM,5%,1/8W,AA,TP,1.8X3.2M	
R4A3	2007-001568	R-CHIP,MELF;22KOHM,5%,1/8W,DB,BK,2012	
R4A4	2007-000029	R-CHIP;0OHM,5%,1/10W,DA,TP,2012	
R4A5	2007-000653	R-CHIP;27KOHM,5%,1/10W,DA,TP,2012	
R4A6	2007-000653	R-CHIP;27KOHM,5%,1/10W,DA,TP,2012	
R4A7	2007-000653	R-CHIP;27KOHM,5%,1/10W,DA,TP,2012	
R4A8	2001-000595	R-CARBON;3.3MOHM,5%,1/8W,AA,TP,1.8X3.2M	
R4A9	2001-000595	R-CARBON;3.3MOHM,5%,1/8W,AA,TP,1.8X3.2M	
R4B1	2007-001568	R-CHIP,MELF;22KOHM,5%,1/8W,DB,BK,2012	
R4B2	2007-001568	R-CHIP,MELF;22KOHM,5%,1/8W,DB,BK,2012	
TL401	AC26-12001A	TRANS-DET;9MM,0UH,BLK,8PF,77.9MHZ,M7T1,S	
U401	AC40-30070C	TM-BLOCK;MTSH6HD33,PAL-G(HYPER),108	
VR401	2103-000307	VR-SEMI;22KOHM,30%,1/10W,TP	
W109	2701-000117	INDUCTOR-AXIAL;10UH,5%,2.4X3.4MM	
W205	3811-000389	WIRE-NO SHEATH CU;SPCW,300V,52.4MM,1/0.5MM,-,-	

HI-FHI AUDIO PARTS

C502	2203-002188	C-CERAMIC,CHIP;10NF,+80-20%,16V,Y5V,TP,2012,-	
C503	2203-002188	C-CERAMIC,CHIP;10NF,+80-20%,16V,Y5V,TP,2012,-	
C504	2203-002188	C-CERAMIC,CHIP;10NF,+80-20%,16V,Y5V,TP,2012,-	
C505	2203-002188	C-CERAMIC,CHIP;10NF,+80-20%,16V,Y5V,TP,2012,-	
C507	2203-002188	C-CERAMIC,CHIP;10NF,+80-20%,16V,Y5V,TP,2012,-	
C508	2203-002188	C-CERAMIC,CHIP;10NF,+80-20%,16V,Y5V,TP,2012,-	
C509	2203-002188	C-CERAMIC,CHIP;10NF,+80-20%,16V,Y5V,TP,2012,-	
C510	2203-002188	C-CERAMIC,CHIP;10NF,+80-20%,16V,Y5V,TP,2012,-	
C511	2401-001893	C-AL;100UF,20%,16V,-,TP,6.3X7MM,5	
C512	2203-002188	C-CERAMIC,CHIP;10NF,+80-20%,16V,Y5V,TP,2012,-	
C515	2203-005197	C-CERAMIC,CHIP;470NF,+80-20,25V,Y5V,BK,2010,-	
C516	2203-005197	C-CERAMIC,CHIP;470NF,+80-20,25V,Y5V,BK,2010,-	
C517	2203-005197	C-CERAMIC,CHIP;470NF,+80-20,25V,Y5V,BK,2010,-	
C518	2203-005197	C-CERAMIC,CHIP;470NF,+80-20,25V,Y5V,BK,2010,-	

Loc. No	Part No	Description and Specification	Remark
C519	2203-001557	C-CERAMIC,CHIP;100NF,+80-20%,25V,Y5V,TP,2012,	
C520	2401-001893	C-AL;100UF,20%,16V,-,TP,6.3X7MM,5	
C521	2203-005197	C-CERAMIC,CHIP;470NF,+80-20,25V,Y5V,BK,2010,-	
C523	A1104-0611	C-ELEC;CE 04 -40/85 16V T 100-M SRE 3.5X5 10UF	
C524	A1104-0611	C-ELEC;CE 04 -40/85 16V T 100-M SRE 3.5X5 10UF	
C525	2203-000260	C-CERAMIC,CHIP;10NF,10%,50V,X7R,TP,2012,-	
C526	A1104-0611	C-ELEC;CE 04 -40/85 16V T 100-M SRE 3.5X5 10UF	
C527	2202-000825	C-CERAMIC,MLC-AXIAL;680PF,10%,50V,Y5P,TP,3.5X19,	
C528	2203-001679	C-CERAMIC,CHIP;68NF,+80-20%,25V,Y5V,TP,2012,2	
C529	2203-001557	C-CERAMIC,CHIP;100NF,+80-20%,25V,Y5V,TP,2012,	
C530	2401-000753	C-AL;220NF,20%,50V,GP,TP,3X5,5	
C531	2401-002183	C-AL;220UF,20%,16V,GP,TP,8X9,5MM	
C532	2203-001557	C-CERAMIC,CHIP;100NF,+80-20%,25V,Y5V,TP,2012,	
C533	2401-001917	C-AL;1UF,20%,50V,-,TP,5X7MM,5	
C534	2203-001557	C-CERAMIC,CHIP;100NF,+80-20%,25V,Y5V,TP,2012,	
C535	2203-001557	C-CERAMIC,CHIP;100NF,+80-20%,25V,Y5V,TP,2012,	
C536	A1104-0611	C-ELEC;CE 04 -40/85 16V T 100-M SRE 3.5X5 10UF	
C537	A1104-0611	C-ELEC;CE 04 -40/85 16V T 100-M SRE 3.5X5 10UF	
C538	2203-000260	C-CERAMIC,CHIP;10NF,10%,50V,X7R,TP,2012,-	
C539	2203-000260	C-CERAMIC,CHIP;10NF,10%,50V,X7R,TP,2012,-	
C540	2401-001904	C-AL;10UF,20%,16V,-,TP,4X7MM,5	
C541	2203-000260	C-CERAMIC,CHIP;10NF,10%,50V,X7R,TP,2012,-	
C542	2401-001904	C-AL;10UF,20%,16V,-,TP,4X7MM,5	
C543	2401-001904	C-AL;10UF,20%,16V,-,TP,4X7MM,5	
C544	2401-001893	C-AL;100UF,20%,16V,-,TP,6.3X7MM,5	
C545	2401-000918	C-AL;22UF,20%,16V,GP,-,6.3X7,5	
C548	2401-000918	C-AL;22UF,20%,16V,GP,-,6.3X7,5	
C551	2203-005197	C-CERAMIC,CHIP;470NF,+80-20,25V,Y5V,BK,2010,-	
C552	2203-005197	C-CERAMIC,CHIP;470NF,+80-20,25V,Y5V,BK,2010,-	
C553	2203-001551	C-CERAMIC,CHIP;1.5NF,10%,50V,X7R,TP,2012,2MM	
IC501	1204-001055	IC-AUDIO PROCESSOR;TA1264,QFP,80P,-,PLASTIC,9V,-	
IC502	1204-001049	IC-SOUND;LA7256,DIP,24P,300MIL,PLASTIC,	
L501	AC27-92001B	COIL-PEAKING AXIAL;BAL04ST101K,-,-,-,-	
L502	AC27-92001B	COIL-PEAKING AXIAL;BAL04ST101K,-,-,-,-	
L503	AC27-92001B	COIL-PEAKING AXIAL;BAL04ST101K,-,-,-,-	
R501	2007-001641	R-CHIP,MELF;0OHM,5%,1/8W,DB,BK,2012	
R502	2001-000258	R-CARBON;1.8KOHM,5%,1/8W,AA,TP,1.8X3.2M	
R503	2007-001641	R-CHIP,MELF;0OHM,5%,1/8W,DB,BK,2012	
R504	2007-001589	R-CHIP,MELF;1KOHM,5%,1/8W,DB,BK,2012	
R505	2007-001574	R-CHIP,MELF;20KOHM,5%,1/8W,DB,BK,2012	
R506	2007-001546	R-CHIP,MELF;3.9KOHM,5%,1/8W,DB,BK,2012	
R507	2001-000221	R-CARBON;1.2KOHM,5%,1/8W,AA,TP,1.8X3.2M	
R508	2001-000924	R-CARBON;680OHM,5%,1/8W,AA,TP,1.8X3.2MM	
R509	2007-001591	R-CHIP,MELF;18KOHM,5%,1/8W,DB,BK,2012	
R510	2007-000511	R-CHIP;2.4KOHM,5%,1/10W,DA,TP,2012	
R511	2007-001591	R-CHIP,MELF;18KOHM,5%,1/8W,DB,BK,2012	
R512	2001-000908	R-CARBON;62KOHM,5%,1/8W,AA,TP,1.8X3.2MM	
R513	2007-001555	R-CHIP,MELF;27KOHM,5%,1/8W,DB,BK,2012	
R514	2007-001555	R-CHIP,MELF;27KOHM,5%,1/8W,DB,BK,2012	
R515	2001-000908	R-CARBON;62KOHM,5%,1/8W,AA,TP,1.8X3.2MM	
R516	2007-001553	R-CHIP,MELF;2KOHM,5%,1/8W,DB,BK,2012	
R517	2001-000273	R-CARBON;100KOHM,5%,1/8W,AA,TP,1.8X3.2M	
R518	2001-000273	R-CARBON;100KOHM,5%,1/8W,AA,TP,1.8X3.2M	
R519	2007-001555	R-CHIP,MELF;27KOHM,5%,1/8W,DB,BK,2012	
R520	2001-000766	R-CARBON;43KOHM,5%,1/8W,AA,TP,1.8X3.2MM	

Loc. No	Part No	Description and Specification	Remark
R521	2007-001534	R-CHIP,MELF;33KOHM,5%,1/8W,DB,BK,2012	
R522	2001-000331	R-CARBON;12KOHM,5%,1/8W,AA,TP,1.8X3.2MM	
R523	2007-001586	R-CHIP,MELF;1MOHM,5%,1/8W,DB,BK,2012	
R524	2007-001603	R-CHIP,MELF;150OHM,5%,1/8W,DB,BK,2012	
R525	2007-001603	R-CHIP,MELF;150OHM,5%,1/8W,DB,BK,2012	
R526	2007-001555	R-CHIP,MELF;27KOHM,5%,1/8W,DB,BK,2012	
R527	2001-000273	R-CARBON;100KOHM,5%,1/8W,AA,TP,1.8X3.2M	
R528	2007-001555	R-CHIP,MELF;27KOHM,5%,1/8W,DB,BK,2012	
R529	2001-000273	R-CARBON;100KOHM,5%,1/8W,AA,TP,1.8X3.2M	
R534	2001-000577	R-CARBON;2KOHM,5%,1/8W,AA,TP,1.8X3.2MM	
R535	2001-000633	R-CARBON;30KOHM,5%,1/8W,AA,TP,1.8X3.2MM	
R570	2001-000281	R-CARBON;100OHM,5%,1/8W,AA,TP,1.8X3.2MM	
R571	2001-000281	R-CARBON;100OHM,5%,1/8W,AA,TP,1.8X3.2MM	
I/O PARTS			
C802	2401-001904	C-AL;10UF,20%,16V,-,TP,4X7MM,5	
C804	2401-001904	C-AL;10UF,20%,16V,-,TP,4X7MM,5	
C807	2203-001557	C-CERAMIC,CHIP;100NF,+80-20%,25V,Y5V,TP,2012,	
C815	2401-000918	C-AL;22UF,20%,16V,GP,-,6.3X7,5	
C818	2401-001975	C-AL;47UF,20%,16V,GP,TP,5X11MM,5	
C819	2202-000780	C-CERAMIC,MLC-AXIAL;100NF,+80-20%,50V,Y5V,TP,3.5	
C820	2401-001511	C-AL;47UF,20%,16V,GP,-,6X7,5	
C821	2401-002196	C-AL;4.7UF,0.2,25V,GP,4X5,5MM,TP	
C822	2401-001893	C-AL;100UF,20%,16V,-,TP,6.3X7MM,5	
C823	2401-002196	C-AL;4.7UF,0.2,25V,GP,4X5,5MM,TP	
C824	2203-001696	C-CERAMIC,CHIP MELF;82PF,10%,50V,Y5P,TP,2012,2MM	
C825	2203-001696	C-CERAMIC,CHIP MELF;82PF,10%,50V,Y5P,TP,2012,2MM	
C829	2401-000918	C-AL;22UF,20%,16V,GP,-,6.3X7,5	
C831	2203-001615	C-CERAMIC,CHIP MELF;270PF,10%,50V,Y5P,TP,2012,2M	
C832	2203-001615	C-CERAMIC,CHIP MELF;270PF,10%,50V,Y5P,TP,2012,2M	
C833	2203-001591	C-CERAMIC,CHIP MELF;1NF,20%,25V,Y5S,TP,2012,2MM	
C834	2203-001591	C-CERAMIC,CHIP MELF;1NF,20%,25V,Y5S,TP,2012,2MM	
C849	2401-001904	C-AL;10UF,20%,16V,-,TP,4X7MM,5	
C850	2203-001557	C-CERAMIC,CHIP;100NF,+80-20%,25V,Y5V,TP,2012,	
D801	0401-000101	DIODE-SWITCHING;1N4148,100V,200MA,500MW,4NS,DO	
D802	0401-000101	DIODE-SWITCHING;1N4148,100V,200MA,500MW,4NS,DO	
D803	0401-000101	DIODE-SWITCHING;1N4148,100V,200MA,500MW,4NS,DO	
D804	0401-000101	DIODE-SWITCHING;1N4148,100V,200MA,500MW,4NS,DO	
D805	0401-000101	DIODE-SWITCHING;1N4148,100V,200MA,500MW,4NS,DO	
D806	0401-000101	DIODE-SWITCHING;1N4148,100V,200MA,500MW,4NS,DO	
D807	0401-000101	DIODE-SWITCHING;1N4148,100V,200MA,500MW,4NS,DO	
D808	0401-000101	DIODE-SWITCHING;1N4148,100V,200MA,500MW,4NS,DO	
JC802	AC37-20001E	JACK-RCA;DPAE-9606,6P,HIFI,PI3.3	
L801	2701-000181	INDUCTOR-AXIAL;33UH,5%,2.4X3.4MM	
L802	2701-000181	INDUCTOR-AXIAL;33UH,5%,2.4X3.4MM	
L816	AC27-92001B	COIL-PEAKING AXIAL;BAL04ST101K,-,-,-,-	
L820	2701-000181	INDUCTOR-AXIAL;33UH,5%,2.4X3.4MM	
L821	2701-000181	INDUCTOR-AXIAL;33UH,5%,2.4X3.4MM	
Q802	0501-000303	TR-SMALL SIGNAL;KSA733-Y,PNP,250MW,TO-92,-,120	
Q803	0501-000398	TR-SMALL SIGNAL;KSC945,NPN,250MW,TO-92,TP,120-	
R807	2007-001239	R-CHIP;910OHM,5%,1/10W,DA,TP,2012	
R808	2007-001505	R-CHIP,MELF;470OHM,5%,1/8W,DB,BK,2012	
R811	2007-001505	R-CHIP,MELF;470OHM,5%,1/8W,DB,BK,2012	
R812	2007-001460	R-CHIP,MELF;75OHM,5%,1/8W,DB,BK,2012	
R813	2007-001460	R-CHIP,MELF;75OHM,5%,1/8W,DB,BK,2012	

Loc. No	Part No	Description and Specification	Remark
R814	2007-001464	R-CHIP,MELF;750OHM,5%,1/8W,DB,BK,2012	
R815	2007-001464	R-CHIP,MELF;750OHM,5%,1/8W,DB,BK,2012	
R820	2007-001572	R-CHIP,MELF;220KOHM,5%,1/8W,DB,BK,2012	
R821	2007-001572	R-CHIP,MELF;220KOHM,5%,1/8W,DB,BK,2012	
R850	2007-001557	R-CHIP,MELF;270OHM,5%,1/8W,DB,BK,2012	
R851	2007-001557	R-CHIP,MELF;270OHM,5%,1/8W,DB,BK,2012	
SW801	3408-000127	SWITCH-SLIDE;12V,100MA,-,-	
W424	2001-000429	R-CARBON;1KOHM,5%,AA,TP,1.8X3.2MM	
602	DO NOT ORDER	ASSY-SUBM	(S.N.A)
CN4A01	3711-003177	CONNECTOR-HEADER;NOWALL,15P,1R,2.5MM,ANGLE,SN	
FL4A01	2904-001024	FILTER-SAW AV;38.9MHZ,SIP5K,TP,18.3DB,PAL-G	
FL4A02	2903-000188	FILTER-CERAMIC;BP,5.74MHZ,+50KHZ,9DB,-,BK,-	
IC4A01	AC14-12011Q	IC-LINEAR;TDA9800,DIP,NEG DEMOD	
IC4A02	AC14-12011Y	IC-LINEAR;TDA9840/V2,DIP,TV-AUDIO DECODE	
C4A01	2401-001511	C-AL;47UF,20%,16V,GP,-,6X7,5	
C4A02	2202-000797	C-CERAMIC,MLC-AXIAL;10NF,30%,16V,Y5P,TP,3.5X19,-	
C4A03	2401-001919	C-AL;2.2UF,20%,50V,-,TP,4X7MM,5	
C4A04	2202-000780	C-CERAMIC,MLC-AXIAL;100NF,+80-20%,50V,Y5V,TP,3.5	
C4A05	2401-001511	C-AL;47UF,20%,16V,GP,-,6X7,5	
C4A06	2202-000797	C-CERAMIC,MLC-AXIAL;10NF,30%,16V,Y5P,TP,3.5X19,-	
C4A07	2202-000797	C-CERAMIC,MLC-AXIAL;10NF,30%,16V,Y5P,TP,3.5X19,-	
C4A08	2202-000797	C-CERAMIC,MLC-AXIAL;10NF,30%,16V,Y5P,TP,3.5X19,-	
C4A09	2301-000129	C-FILM,PEF;100NF,5%,50V,TP,10X9X4.3X5,5MM	
C4A10	2401-001919	C-AL;2.2UF,20%,50V,-,TP,4X7MM,5	
C4A11	2301-000439	C-FILM,PEF;3NF,5%,50V,TP,5.5X7X3MM,5MM	
C4A12	2301-000439	C-FILM,PEF;3NF,5%,50V,TP,5.5X7X3MM,5MM	
C4A13	2301-000383	C-FILM,PEF;10NF,5%,50V,TP,6X7X3.2MM,5MM	
C4A14	2301-000383	C-FILM,PEF;10NF,5%,50V,TP,6X7X3.2MM,5MM	
C4A15	2401-001904	C-AL;10UF,20%,16V,-,TP,4X7MM,5	
C4A16	2301-000383	C-FILM,PEF;10NF,5%,50V,TP,6X7X3.2MM,5MM	
C4A17	2301-000129	C-FILM,PEF;100NF,5%,50V,TP,10X9X4.3X5,5MM	
C4A18	2401-000778	C-AL;220UF,20%,10V,GP,-,6.3X11,2.5M	
C4A19	2401-001919	C-AL;2.2UF,20%,50V,-,TP,4X7MM,5	
C4A20	2401-00191	C-AL;2.2UF,20%,50V,-,TP,4X7MM,5	
C4A21	2301-000427	C-FILM,PEF;3.9NF,10%,50V,TP,5.5X7X3MM,5MM	
C4A22	2301-000264	C-FILM,PEF;4.7NF,5%,50V,TP,6.5X5.5X3.0X5,	
C4A24	2202-000797	C-CERAMIC,MLC-AXIAL;10NF,30%,16V,Y5P,TP,3.5X19,-	
L4A01	AC27-92001B	COIL-PEAKING AXIAL;BAL04ST101K,-,-,-,-	
L4A02	62427-812-139	COIL-PEAKING;EL0606RA 1.3UH-K	
L4A03	2702-000214	INDUCTOR-RADIAL;2.2MH,5%,6X6.4X10MM	
Q4A01	0501-000436	TR-SMALL SIGNAL;KTC3197,NPN,625MW,TO-92,TP,20-	
R4A01	2001-000522	R-CARBON;22KOHM,5%,1/8W,AA,TP,1.8X3.2MM	
R4A02	2001-000522	R-CARBON;22KOHM,5%,1/8W,AA,TP,1.8X3.2MM	
R4A03	2001-000780	R-CARBON;470OHM,5%,1/8W,AA,TP,1.8X3.2MM	
R4A04	2001-000802	R-CARBON;5.6KOHM,5%,1/8W,AA,TP,1.8X3.2M	
R4A05	2001-000258	R-CARBON;1.8KOHM,5%,1/8W,AA,TP,1.8X3.2M	
R4A06	2001-000241	R-CARBON;1.5KOHM,5%,1/8W,AA,TP,1.8X3.2M	
R4A07	2001-001006	R-CARBON;82OHM,5%,1/8W,AA,TP,1.8X3.2MM	
R4A08	2001-000472	R-CARBON;2.7KOHM,5%,1/8W,AA,TP,1.8X3.2M	
R4A09	2001-000449	R-CARBON;2.2KOHM,5%,1/8W,AA,TP,1.8X3.2M	
R4A12	2001-000429	R-CARBON;1KOHM,5%,1/8W,AA,TP,1.8X3.2MM	
R4A13	2001-000429	R-CARBON;1KOHM,5%,1/8W,AA,TP,1.8X3.2MM	

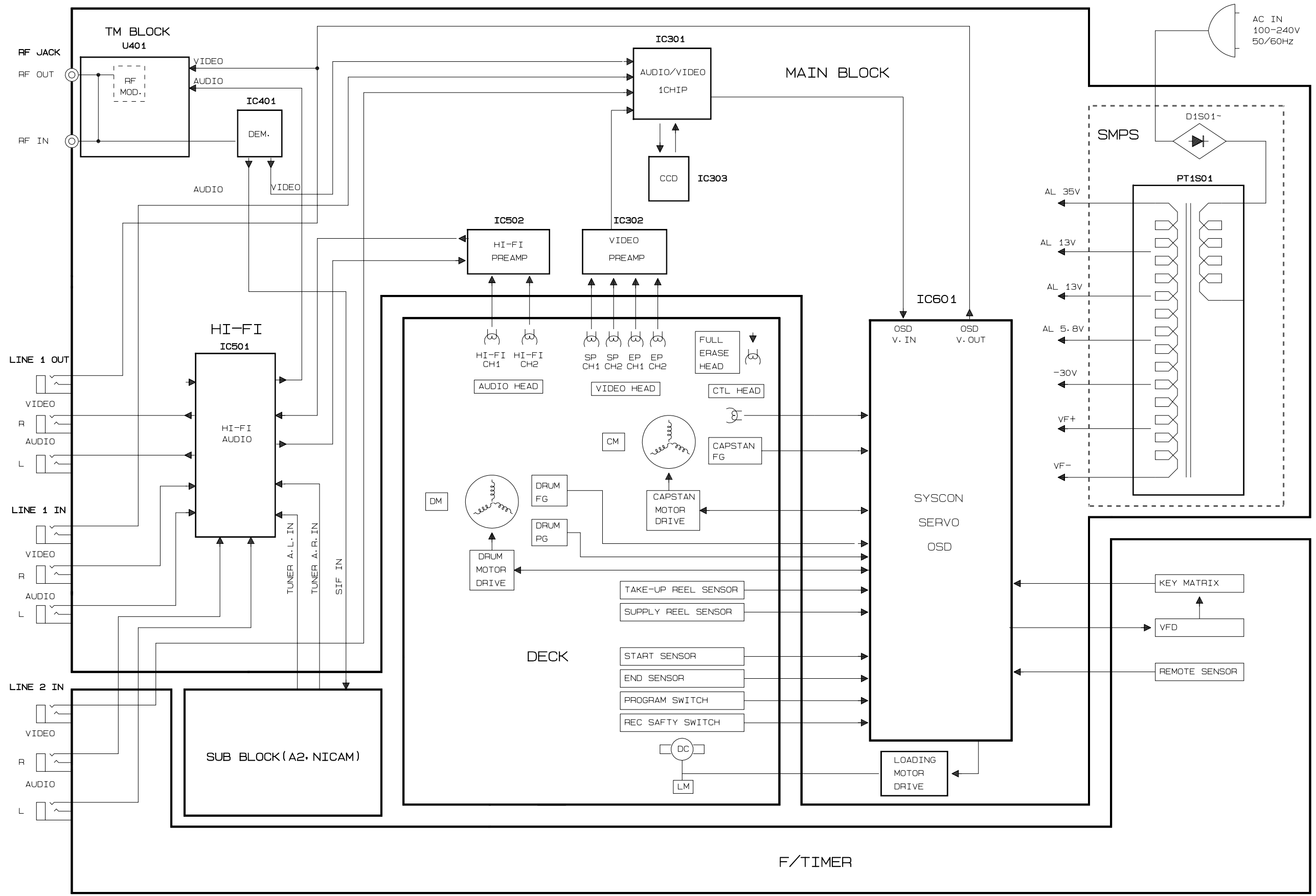
Loc. No	Part No	Description and Specification	Remark
R4A14	2001-000429	R-CARBON;1KOHM,5%,1/8W,AA,TP,1.8X3.2MM	
R4A15	2001-000429	R-CARBON;1KOHM,5%,1/8W,AA,TP,1.8X3.2MM	
R4A16	2001-000793	R-CARBON;47OHM,5%,1/8W,AA,TP,1.8X3.2MM	
R4A18	2001-000429	R-CARBON;1KOHM,5%,1/8W,AA,TP,1.8X3.2MM	
R4A19	2001-000633	R-CARBON;30KOHM,5%,1/8W,AA,TP,1.8X3.2MM	
R4A20	2001-000258	R-CARBON;1.8KOHM,5%,1/8W,AA,TP,1.8X3.2M	
R4A21	2001-000554	R-CARBON;270OHM,5%,1/8W,AA,TP,1.8X3.2MM	
XT4A01	2801-003293	CRYSTAL-UNIT;10MHZ,50PPM,28-AAA,16PF,50OHM,	
670	DO NOT ORDER	ASSY-F/TIMER	(S.N.A)
C701	2401-001893	C-AL;100UF,20%,16V,-,TP,6.3X7MM,5	
C702	2202-000797	C-CERAMIC,MLC-AXIAL;10NF,30%,16V,Y5P,TP,3.5X19,-	
C703	2202-000796	C-CERAMIC,MLC-AXIAL;1NF,10%,50V,Y5P,TP,3.5X19,-	
C704	2401-001952	C-AL;4.7UF,20%,50V,-,TP,6.3X7,5	
C705	2401-001893	C-AL;100UF,20%,16V,-,TP,6.3X7MM,5	
C706	2202-000807	C-CERAMIC,MLC-AXIAL;22NF,+80-20%,25V,Y5V,TP,3.5X	
C707	2202-000243	C-CERAMIC,MLC-AXIAL;33PF,5%,50V,SL,3.5X19,-,TP	
C708	2202-000279	C-CERAMIC,MLC-AXIAL;47PF,5%,50V,SL,3.5X19,-,TP	
C709	2202-000279	C-CERAMIC,MLC-AXIAL;47PF,5%,50V,SL,3.5X19,-,TP	
C710	2202-000279	C-CERAMIC,MLC-AXIAL;47PF,5%,50V,SL,3.5X19,-,TP	
C711	2202-000797	C-CERAMIC,MLC-AXIAL;10NF,30%,16V,Y5P,TP,3.5X19,-	
C712	2202-000796	C-CERAMIC,MLC-AXIAL;1NF,10%,50V,Y5P,TP,3.5X19,-	
C713	2202-000796	C-CERAMIC,MLC-AXIAL;1NF,10%,50V,Y5P,TP,3.5X19,-	
C714	2401-001904	C-AL;10UF,20%,16V,-,TP,4X7MM,5	
CN701	3710-000545	CONNECTOR-SOCKET;20P,1R,1.5MM,STRAIGHT,SN	
D701	0401-000101	DIODE-SWITCHING;1N4148,100V,200MA,500MW,4NS,DO	
D703	0401-000101	DIODE-SWITCHING;1N4148,100V,200MA,500MW,4NS,DO	
D705	0401-000101	DIODE-SWITCHING;1N4148,100V,200MA,500MW,4NS,DO	
D706	0401-000101	DIODE-SWITCHING;1N4148,100V,200MA,500MW,4NS,DO	
D710	0401-000101	DIODE-SWITCHING;1N4148,100V,200MA,500MW,4NS,DO	
D711	0401-000101	DIODE-SWITCHING;1N4148,100V,200MA,500MW,4NS,DO	
D712	0401-000101	DIODE-SWITCHING;1N4148,100V,200MA,500MW,4NS,DO	
D713	0401-000101	DIODE-SWITCHING;1N4148,100V,200MA,500MW,4NS,DO	
D716	0401-000101	DIODE-SWITCHING;1N4148,100V,200MA,500MW,4NS,DO	
D720	0401-000101	DIODE-SWITCHING;1N4148,100V,200MA,500MW,4NS,DO	
D723	0401-000101	DIODE-SWITCHING;1N4148,100V,200MA,500MW,4NS,DO	
D727	0401-000101	DIODE-SWITCHING;1N4148,100V,200MA,500MW,4NS,DO	
D728	0401-000101	DIODE-SWITCHING;1N4148,100V,200MA,500MW,4NS,DO	
D729	0401-000101	DIODE-SWITCHING;1N4148,100V,200MA,500MW,4NS,DO	
D730	0401-000101	DIODE-SWITCHING;1N4148,100V,200MA,500MW,4NS,DO	
D731	0401-000101	DIODE-SWITCHING;1N4148,100V,200MA,500MW,4NS,DO	
D736	0401-000101	DIODE-SWITCHING;1N4148,100V,200MA,500MW,4NS,DO	
D737	0401-000101	DIODE-SWITCHING;1N4148,100V,200MA,500MW,4NS,DO	
D738	0401-000101	DIODE-SWITCHING;1N4148,100V,200MA,500MW,4NS,DO	
D739	0401-000101	DIODE-SWITCHING;1N4148,100V,200MA,500MW,4NS,DO	
DT701	AC07-20050H	VF-DISPLAY;SVV-11MS12,15SEG,106.68X21.5,S	
IC701	1003-001039	IC-VFD;UPD16311GC-AB6,QFP,52P,-,-,40	
JK701	3722-000435	JACK-PIN;1P/1C,PI3.3,SN,RED,-	
JK702	AC37-22001T	JACK-PIN;DSPS-8805-03W,PI4,3P,GLD,-	
JK703	3722-000433	JACK-PIN;1P/1C,PI3.3,SN,YEL,-	
L701	AC27-92001B	COIL-PEAKING AXIAL;BAL04ST101K,-,-,-,-	
L702	2701-000181	INDUCTOR-AXIAL;33UH,5%,2.4X3.4MM	
L703	2701-000181	INDUCTOR-AXIAL;33UH,5%,2.4X3.4MM	
LD701	0601-000497	LED;ROUND,GRN,3MM,565NM	

Loc. No	Part No	Description and Specification	Remark
Q701	0504-000203	TR-DIGITAL;KSR1004,NPN,300MW,47K-47K,TO-9	
R701	2004-000292	R-METAL;12OHM,5%,1/4W,AA,TP,2.4X6.4MM	
R702	2001-000290	R-CARBON;10KOHM,5%,1/8W,AA,TP,1.8X3.2MM	
R703	2004-000790	R-METAL;330OHM,5%,1/4W,AA,TP,2.4X6.4MM	
R704	2001-000969	R-CARBON;75OHM,5%,1/8W,AA,TP,1.8X3.2MM	
R716	2001-000290	R-CARBON;10KOHM,5%,1/8W,AA,TP,1.8X3.2MM	
R717	2001-000290	R-CARBON;10KOHM,5%,1/8W,AA,TP,1.8X3.2MM	
R718	2001-000660	R-CARBON;33KOHM,5%,1/8W,AA,TP,1.8X3.2MM	
R719	2001-000660	R-CARBON;33KOHM,5%,1/8W,AA,TP,1.8X3.2MM	
R720	2001-000325	R-CARBON;120OHM,5%,1/8W,AA,TP,1.8X3.2MM	
R721	61048-177-563	R-CARBON;RD 1/8 T 563-J	
R722	2001-000290	R-CARBON;10KOHM,5%,1/8W,AA,TP,1.8X3.2MM	
R726	2001-000780	R-CARBON;470OHM,5%,1/8W,AA,TP,1.8X3.2MM	
R727	2001-000780	R-CARBON;470OHM,5%,1/8W,AA,TP,1.8X3.2MM	
R728	2001-000429	R-CARBON;1KOHM,5%,1/8W,AA,TP,1.8X3.2MM	
R729	2001-000734	R-CARBON;4.7KOHM,5%,1/8W,AA,TP,1.8X3.2M	
R730	2001-000660	R-CARBON;33KOHM,5%,1/8W,AA,TP,1.8X3.2MM	
R731	2001-000660	R-CARBON;33KOHM,5%,1/8W,AA,TP,1.8X3.2MM	
R732	2001-000633	R-CARBON;30KOHM,5%,1/8W,AA,TP,1.8X3.2MM	
R733	2001-000290	R-CARBON;10KOHM,5%,1/8W,AA,TP,1.8X3.2MM	
R734	2001-000290	R-CARBON;10KOHM,5%,1/8W,AA,TP,1.8X3.2MM	
RM701	AC59-62001G	MODULE-REMOCON;TFMR5380,38KHZ,-,-,-	
SW701	3404-001008	SWITCH-TACT;12V,20MA,160+-50,6X7.9X3.5MM,D	
SW702	3404-001008	SWITCH-TACT;12V,20MA,160+-50,6X7.9X3.5MM,D	
SW703	3404-001008	SWITCH-TACT;12V,20MA,160+-50,6X7.9X3.5MM,D	
SW704	3404-001008	SWITCH-TACT;12V,20MA,160+-50,6X7.9X3.5MM,D	
SW705	3404-001008	SWITCH-TACT;12V,20MA,160+-50,6X7.9X3.5MM,D	
SW706	3404-001008	SWITCH-TACT;12V,20MA,160+-50,6X7.9X3.5MM,D	
SW707	3404-001008	SWITCH-TACT;12V,20MA,160+-50,6X7.9X3.5MM,D	
SW708	3404-001008	SWITCH-TACT;12V,20MA,160+-50,6X7.9X3.5MM,D	
SW709	3404-001008	SWITCH-TACT;12V,20MA,160+-50,6X7.9X3.5MM,D	
SW710	3404-001008	SWITCH-TACT;12V,20MA,160+-50,6X7.9X3.5MM,D	
SW711	3404-001008	SWITCH-TACT;12V,20MA,160+-50,6X7.9X3.5MM,D	
SW712	3404-001008	SWITCH-TACT;12V,20MA,160+-50,6X7.9X3.5MM,D	
SW714			
SW715	3404-001008	SWITCH-TACT;12V,20MA,160+-50,6X7.9X3.5MM,D	
ZD701	62169-403-833	DIODE ZENER;UZ 5.6BH	
ZD702	0403-000555	DIODE-ZENER;MTZ30D,30V,29.02-30.51V,500MW,	
		REMOCON-ASSY	
	AC59-10341C	SV-A130B/RAD	
	AC59-10341B	SV-A140B/RAD	
	64043-0166-00	DOOR-BATTERY;ABS94HB T2 D/GRY NR-3346	
CT1	2401-001471	C-AL;47UF,20%,10V,GP,-,5X11,2.5MM	
CT2	2203-000199	C-CERAMIC,CHIP;100NF,+80-20%,50V,Z5U,TP,2012,	
ICT01	AC09-10453K	IC-MCU;Z86L7608,A160,28P,QFP,A120U,8B	
LDT1	A4150-0168	LED-INFRARED;SI5312-H NTR 940NM/1.4V	
QT1	0501-000592	TR-SMALL SIGNAL;2SD1781K-QR,NPN,200MW,SOT-23,T	
RT1	2007-000483	R-CHIP;1OHM,5%,1/10W,DA,TP,2012	
RT2	2007-000593	R-CHIP;22OHM,5%,1/10W,DA,TP,2012	
XT1	B1283-0036	RESONATOR-CERAMIC;8MHZ EFOEC8004T4 3/CN J TAPG	

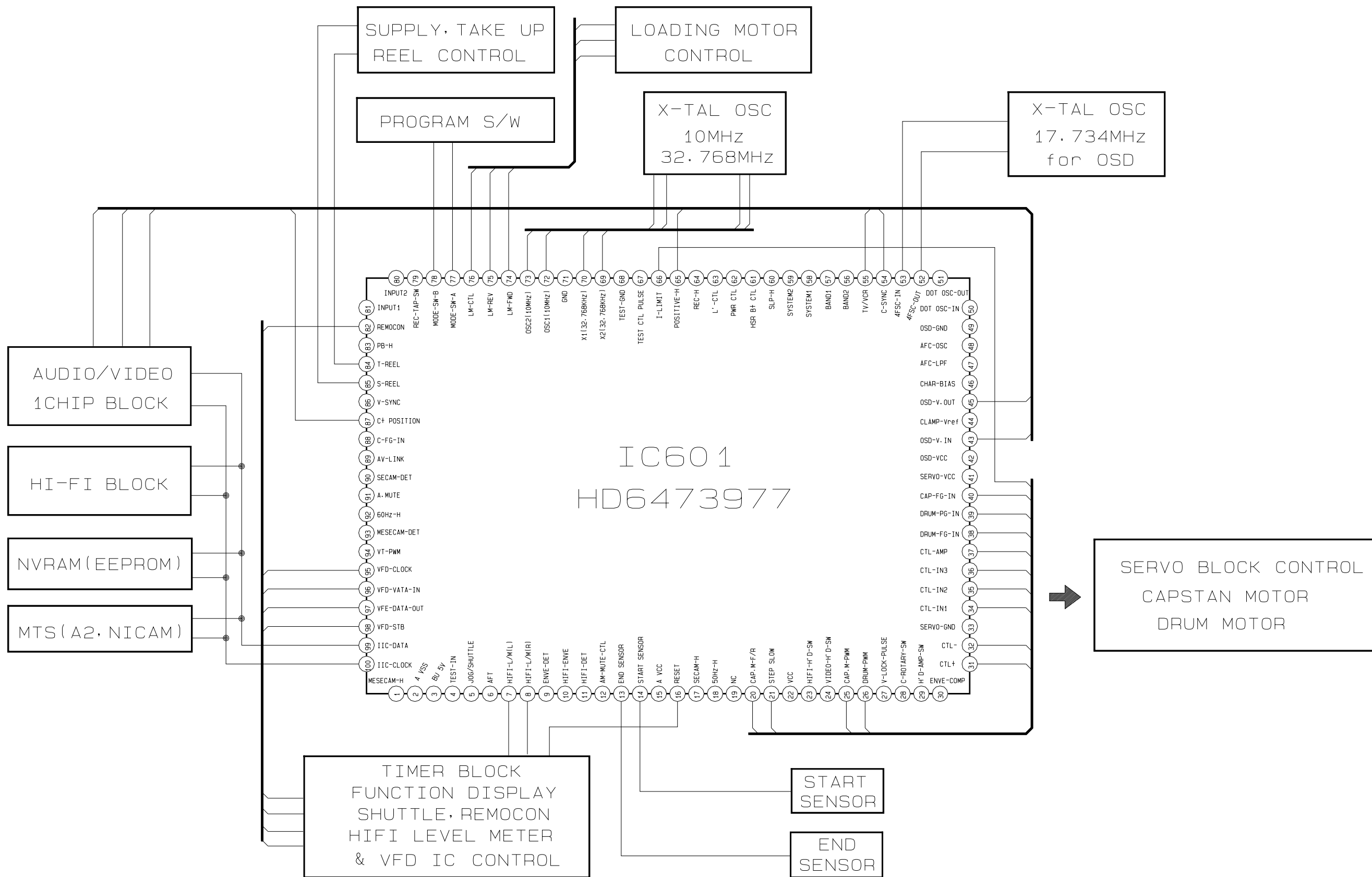
8. Block Diagrams

	Page
8-1 Overall Block Diagram	8-2
8-2 System Control	8-3
8-3 Video	8-4
8-4 Hi-Fi Audio	8-5
8-5 Function-Timer	8-6

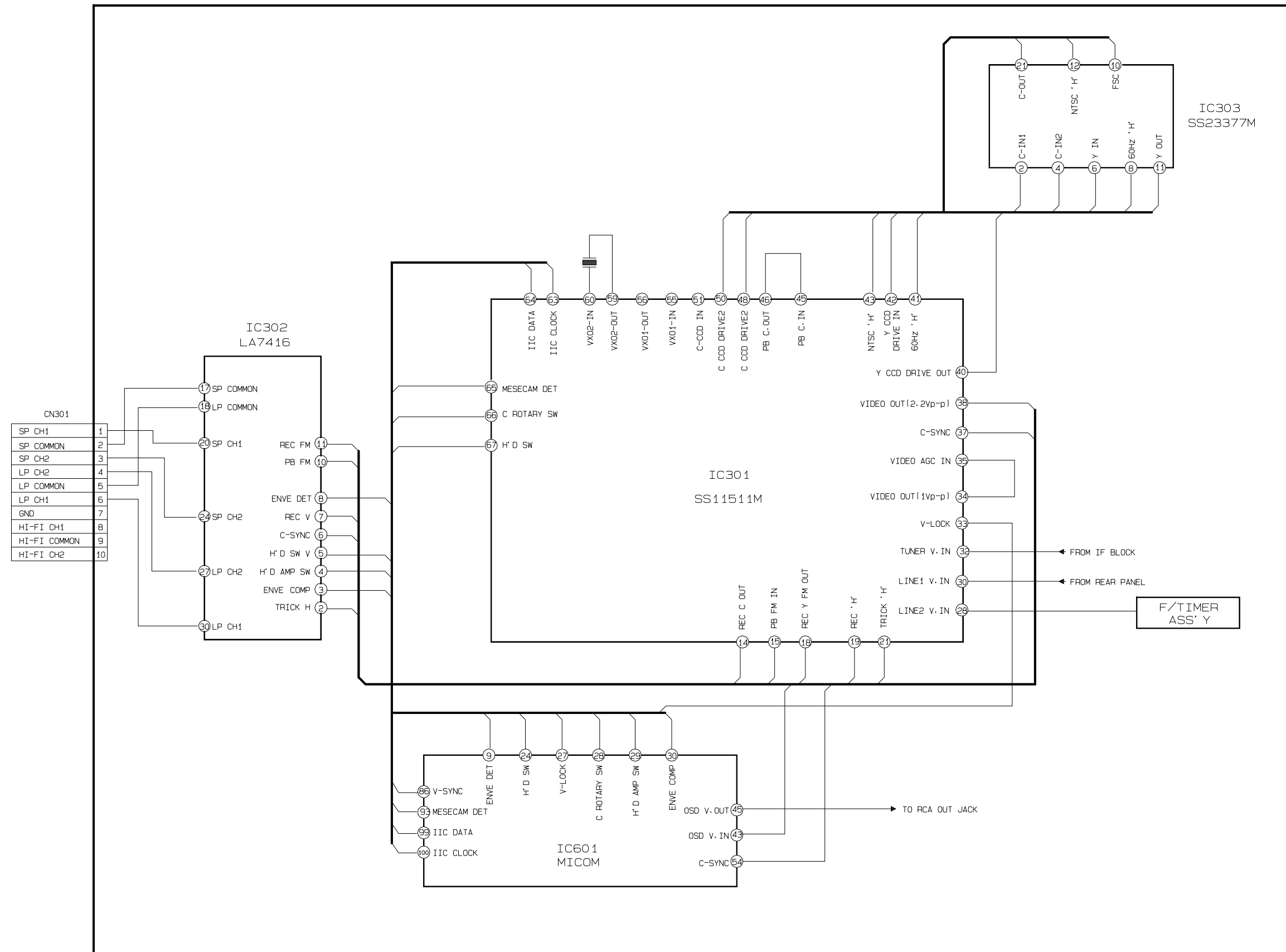
8-1 Overall Block Diagram



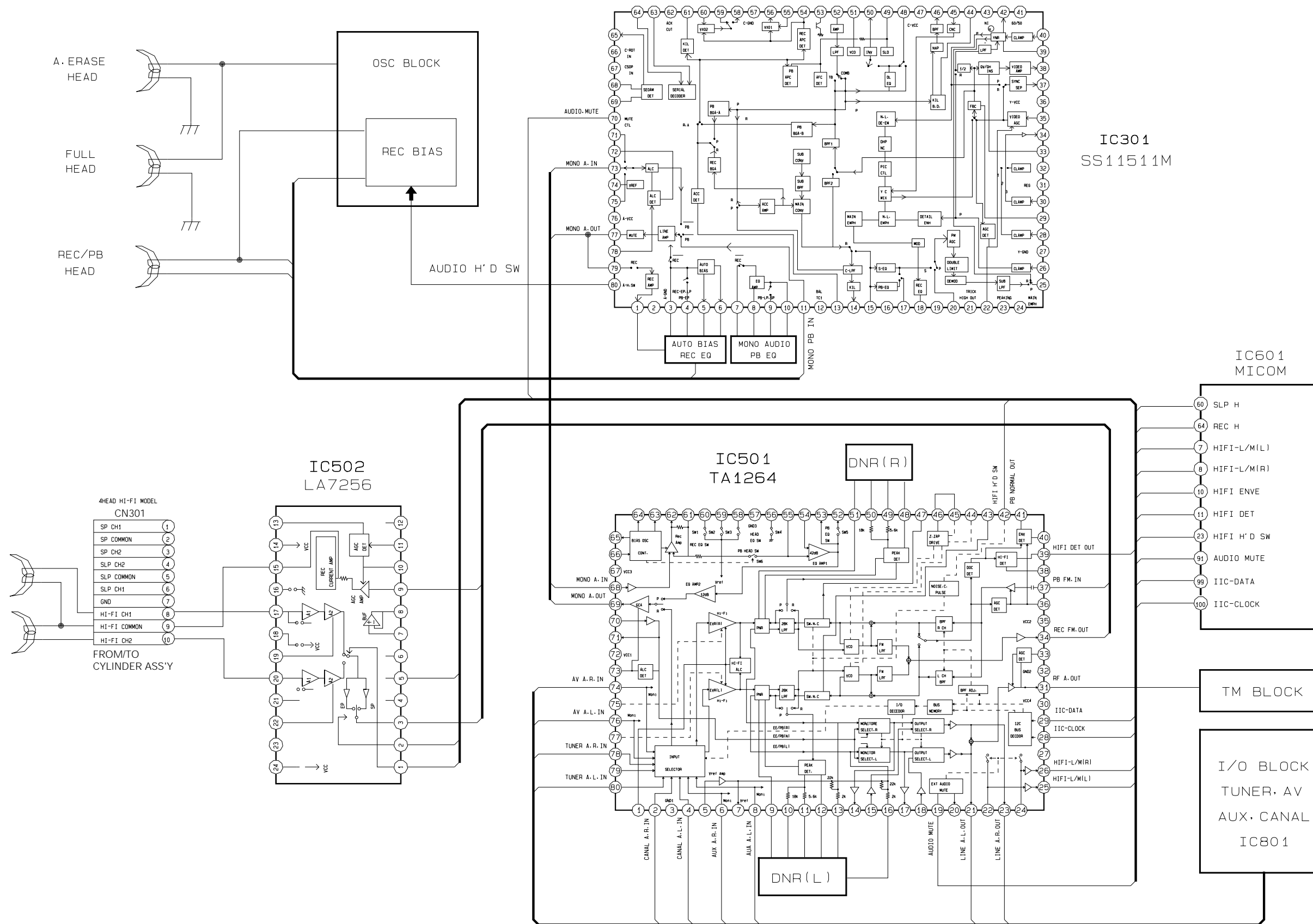
8-2 System Control



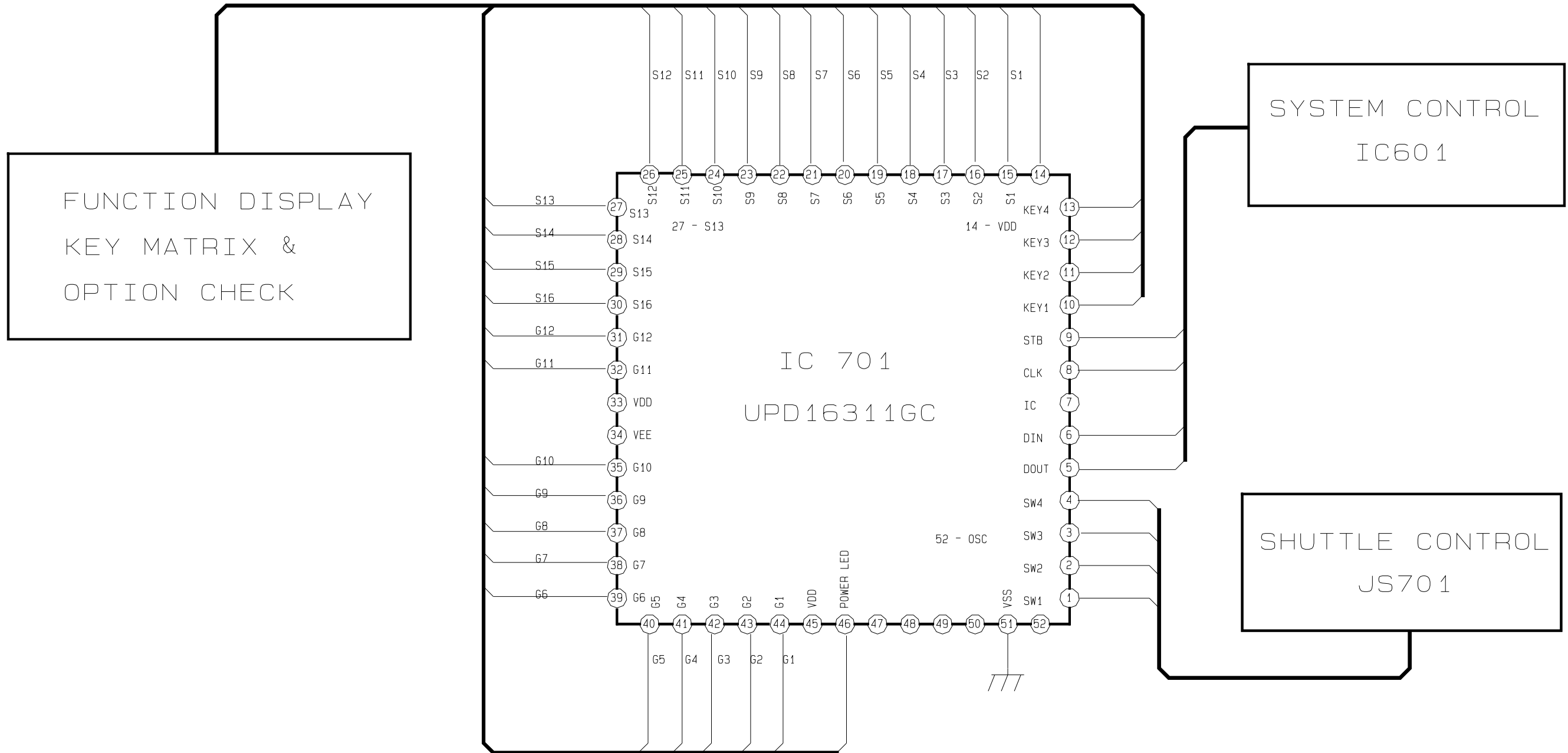
8-3 Video



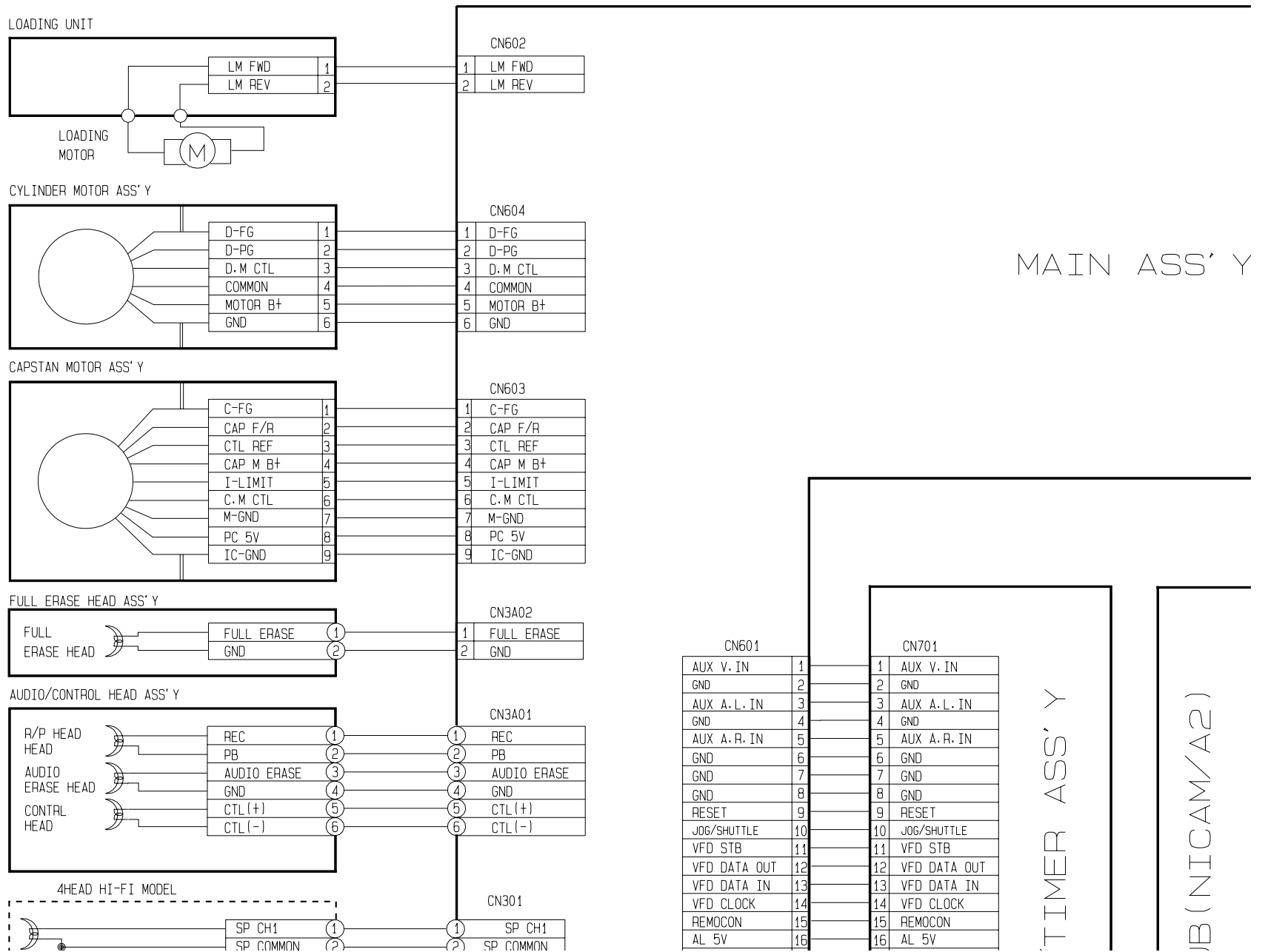
8-4 Hi-Fi Audio



8-5 Function-Timer



10. Wiring Diagram



11. Schematic Diagrams

	Page
◆ Block Identification of Main PCB	11-2
11-1 S.M.P.S/Power	11-3
11-2 System Control/Servo	11-4
11-3 Audio/Video	11-5
11-4 Hi-Fi Audio	11-6
11-5 IF	11-7
11-6 I/O	11-8
11-7 Sub	11-9
11-8 Function-Timer (SV-A130B)	11-10
11-9 Function-Timer (SV-A140B)	11-11
11-10 Remote-Control (SV-A130B)	11-12
11-11 Remote-Control (SV-A140B)	11-12

Note

For schematic Diagram
 - Resistors are in ohms, 1/8W unless otherwise noted.
 - Circled numbers refer to waveforms.


Special note :

Most semiconductor devices are electrostatically sensitive and therefore require the special handling techniques described under the "electrostatically sensitive (ES) devices" section of this service manual.

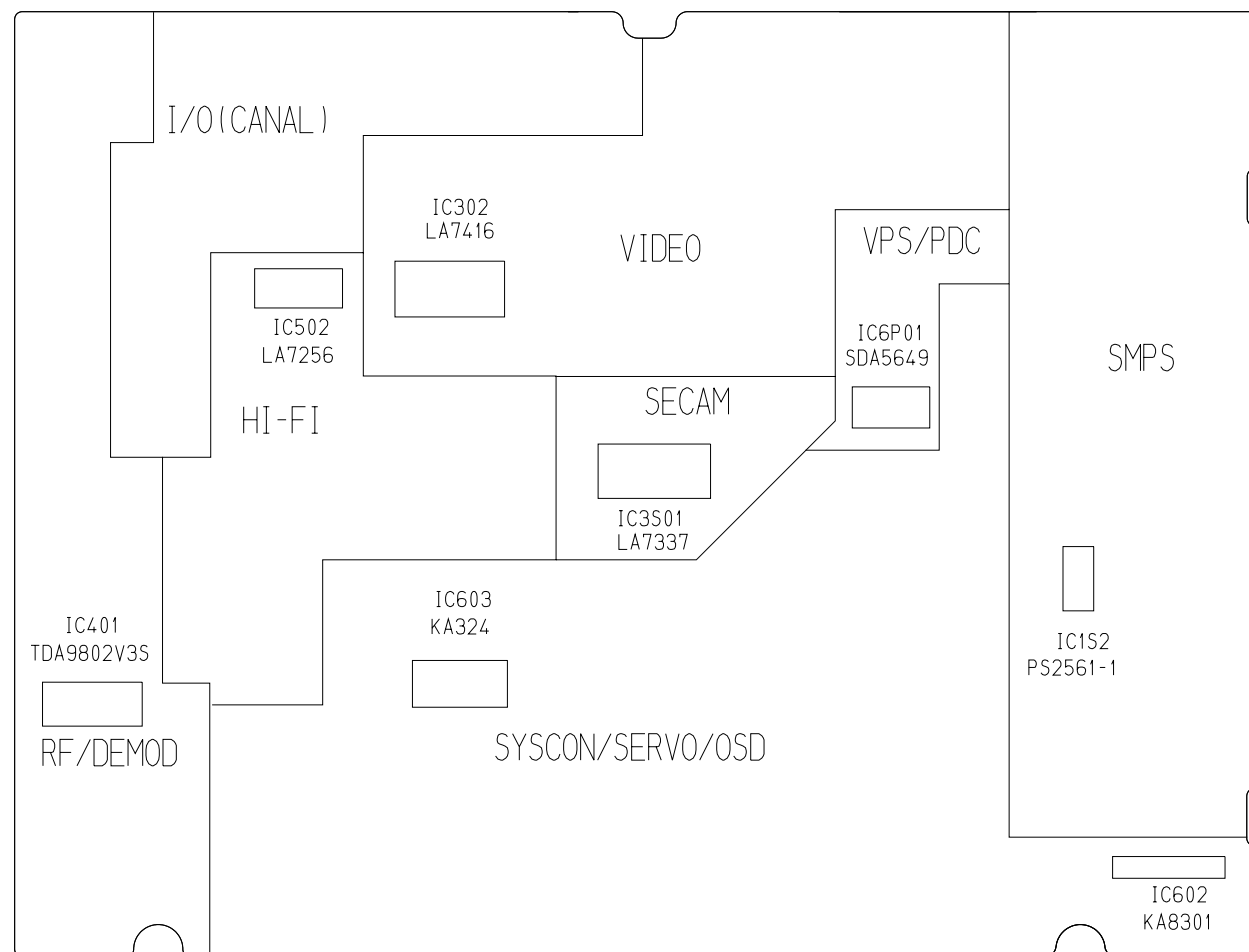
Note :

Do not use the part number shown on this drawing for ordering. The correct part number is shown in the parts list (may be slightly different or amended since this drawing was prepared).

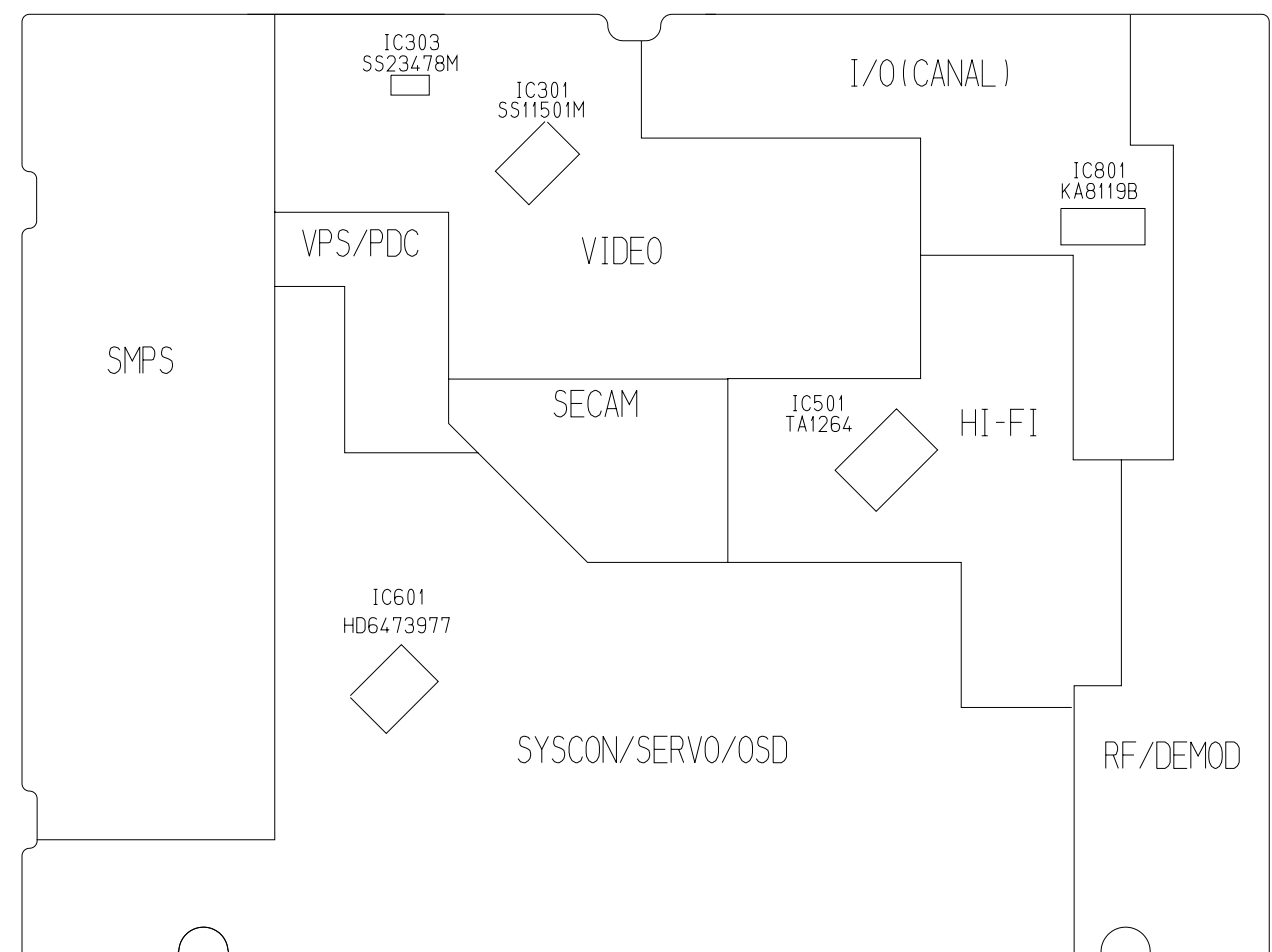
Important safety notices :

Components identified with the mark  have the special characteristics for safety. When replacing any of these components. Use only the same type.

◆ **Block Identification of Main PCB**

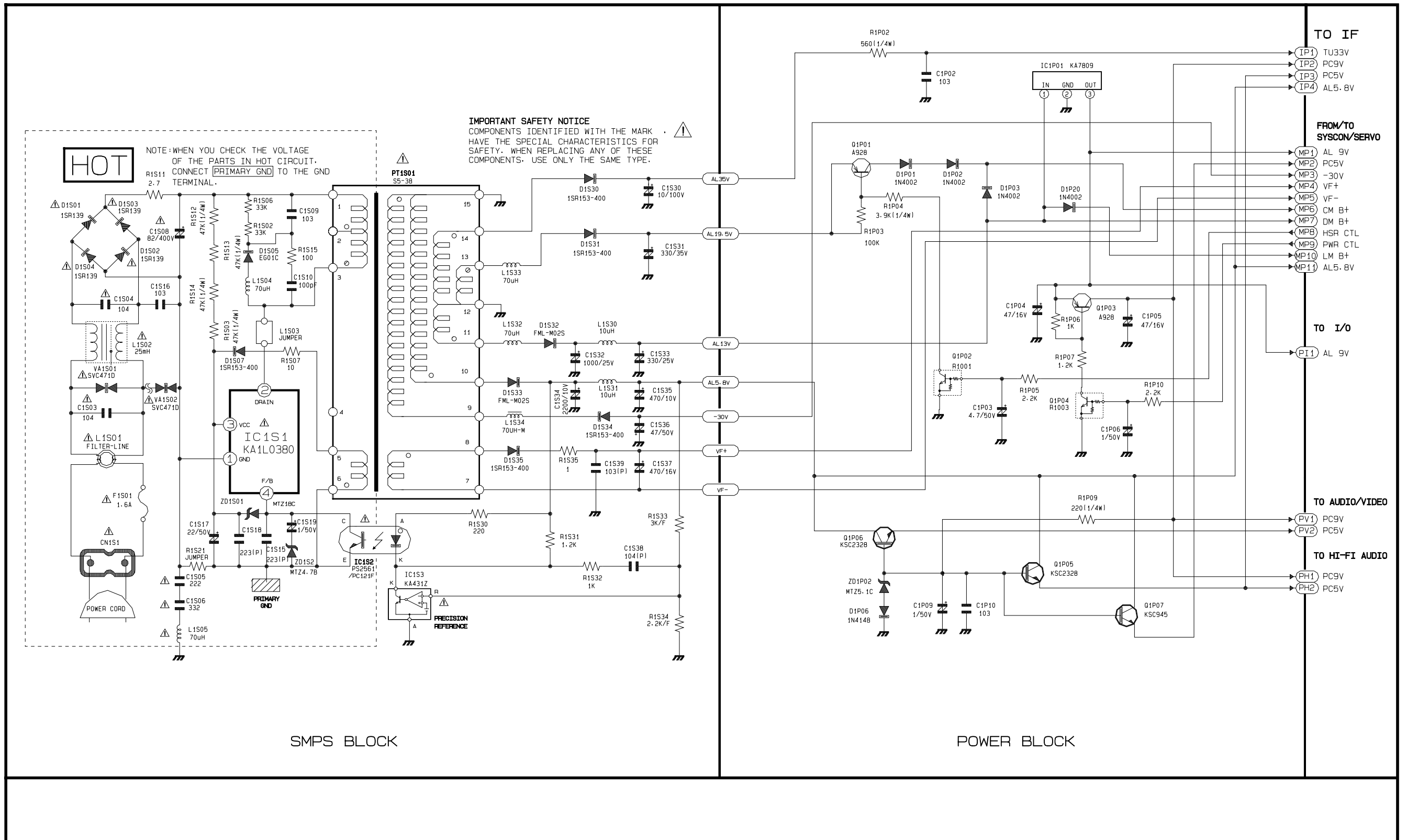


(Component Side)



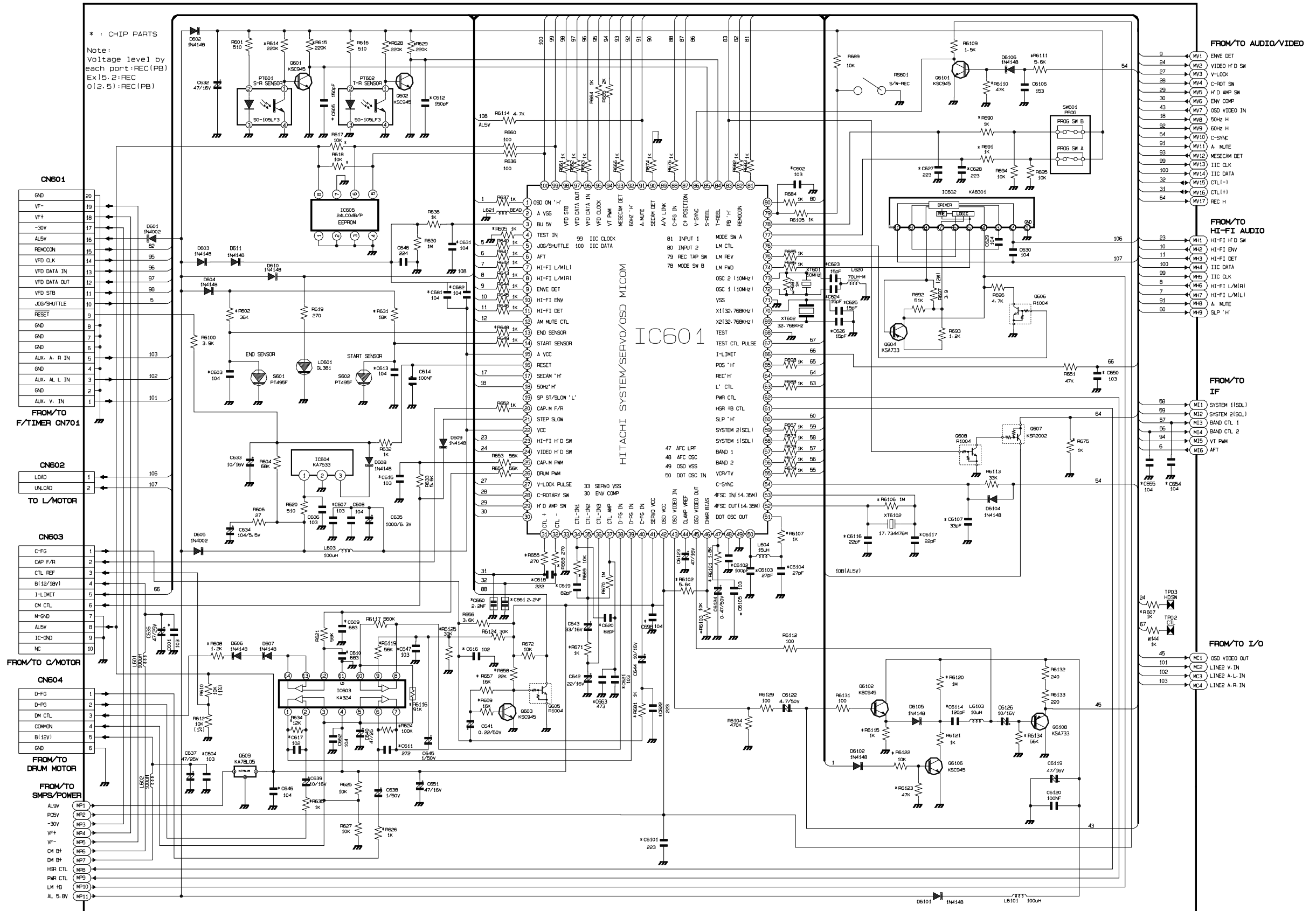
(Conductor Side)

11-1 S.M.P.S./POWER

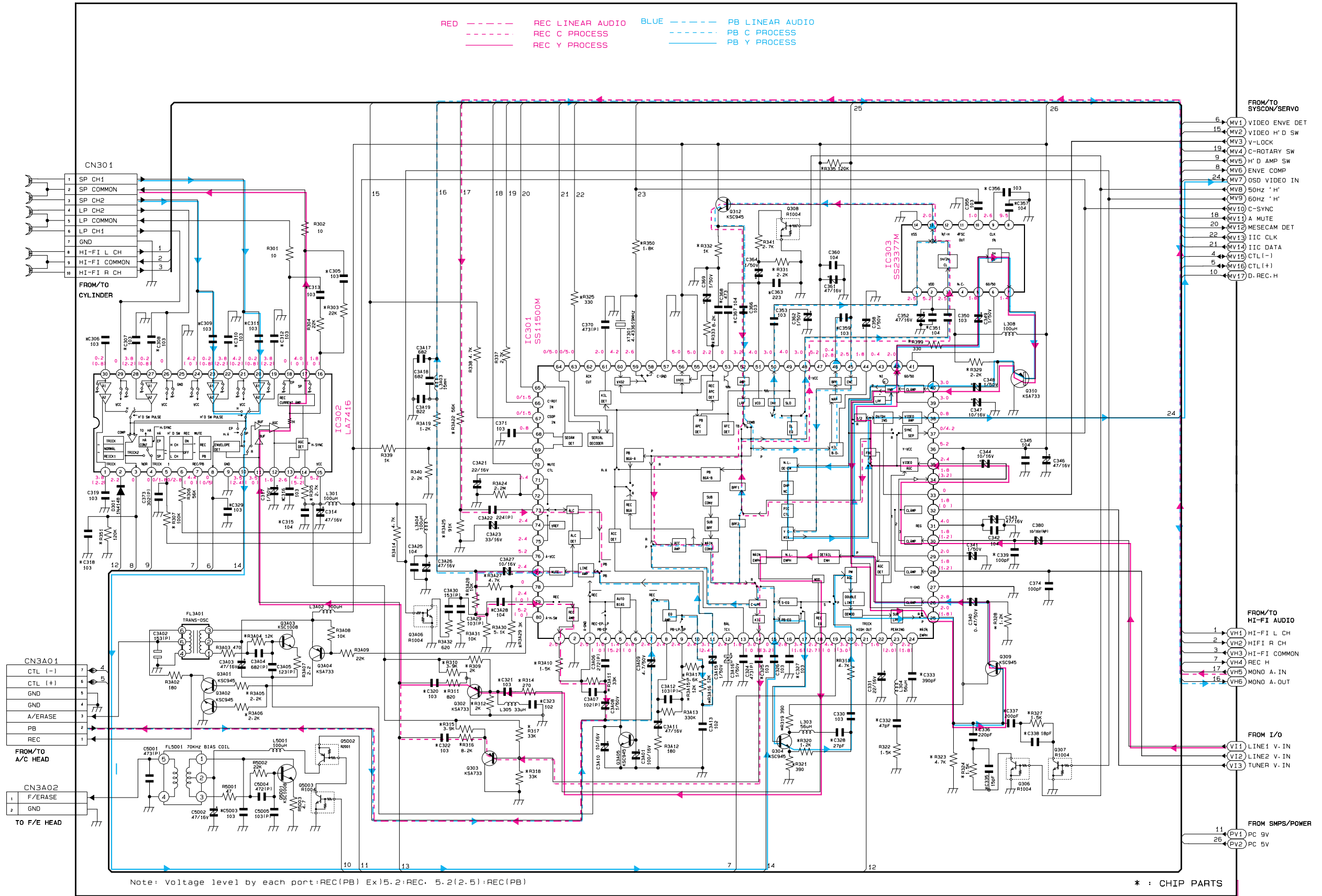


11-2 System Control/Servo

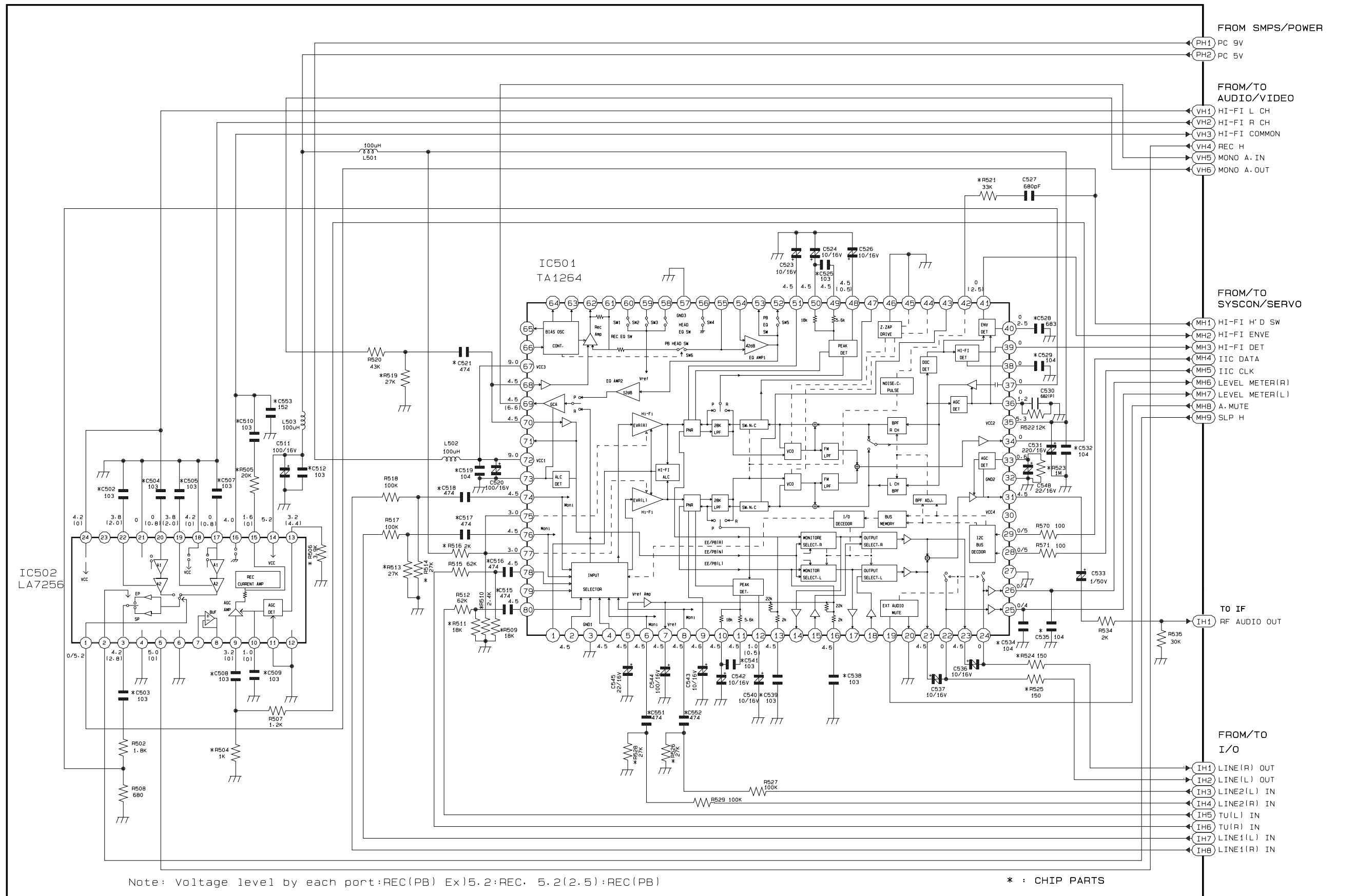
SV-A140B SYSCON 97.06.24



11-3 Audio/Video



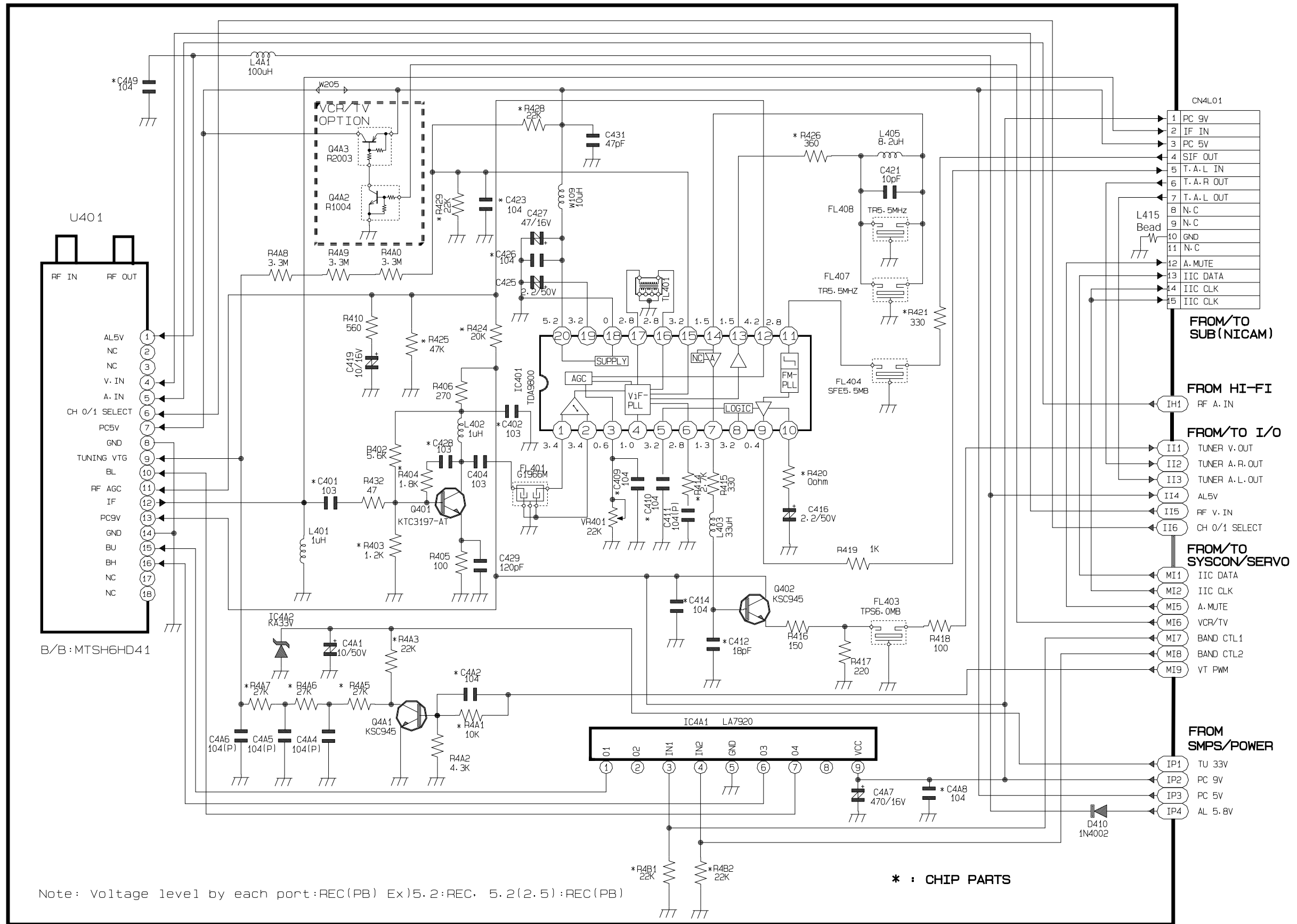
11-4 Hi-Fi Audio



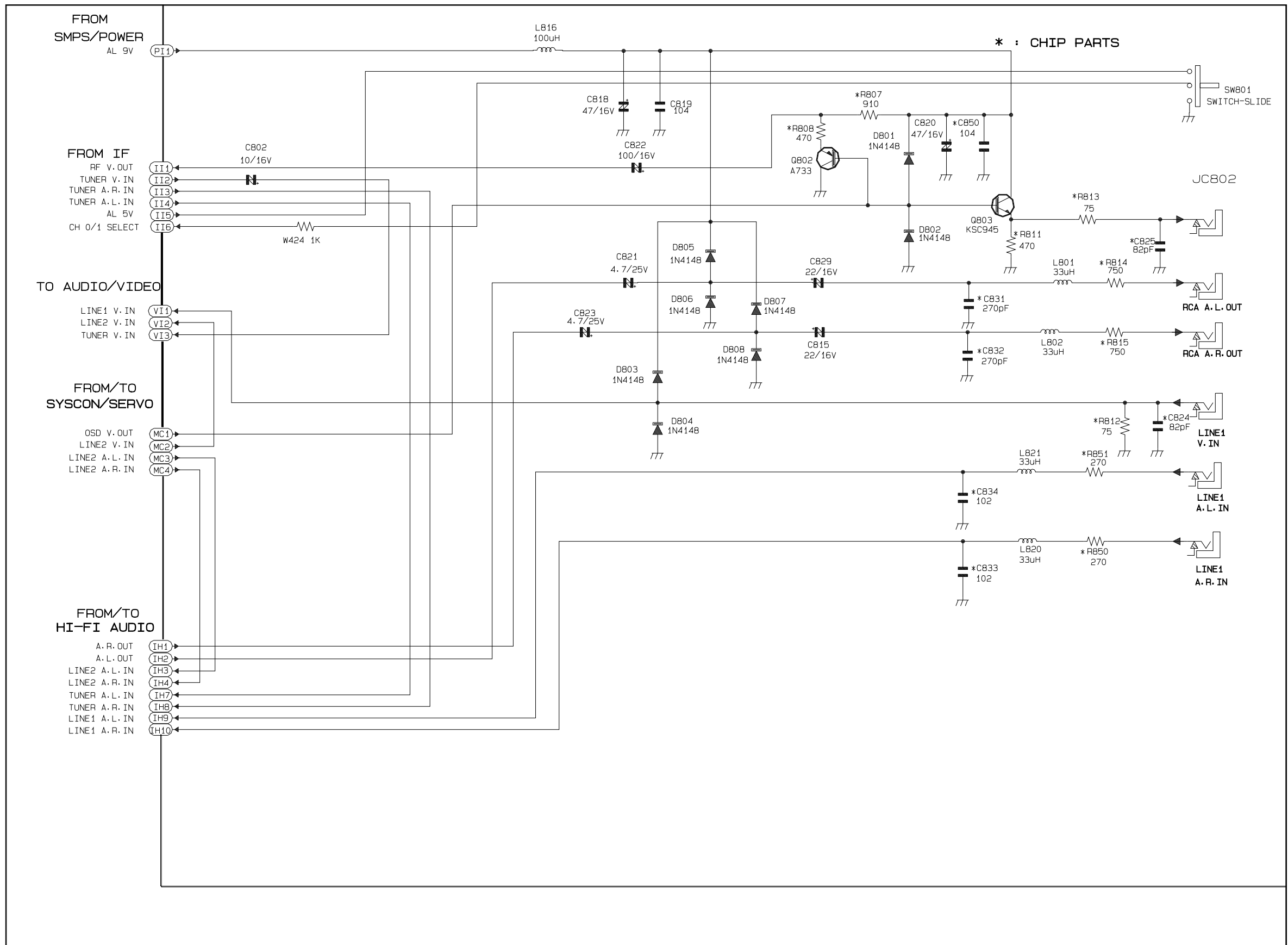
Note: Voltage level by each port: REC(PB) Ex) 5.2; REC. 5.2(2.5); REC(PB)

* : CHIP PARTS

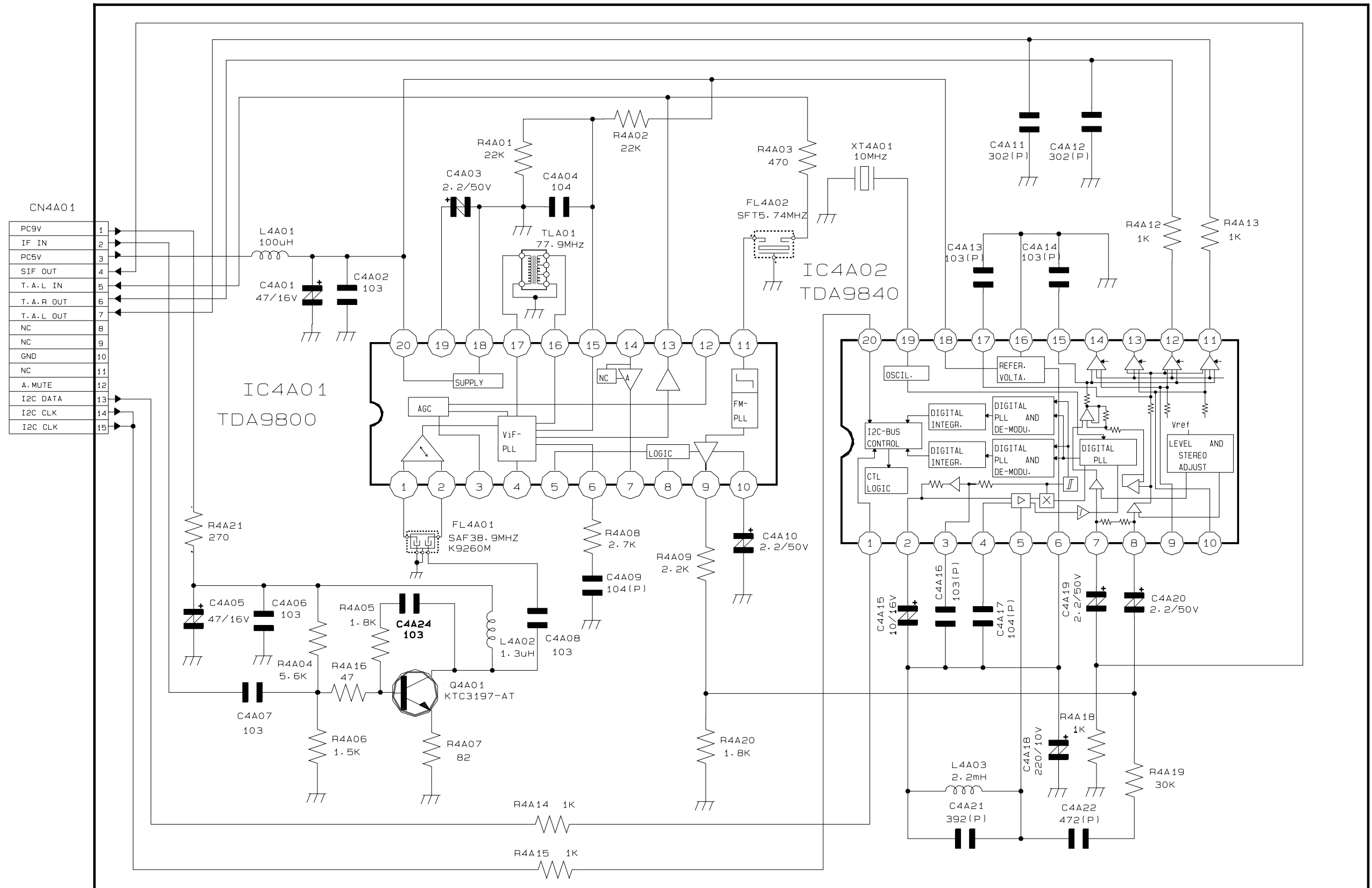
11-5 IF



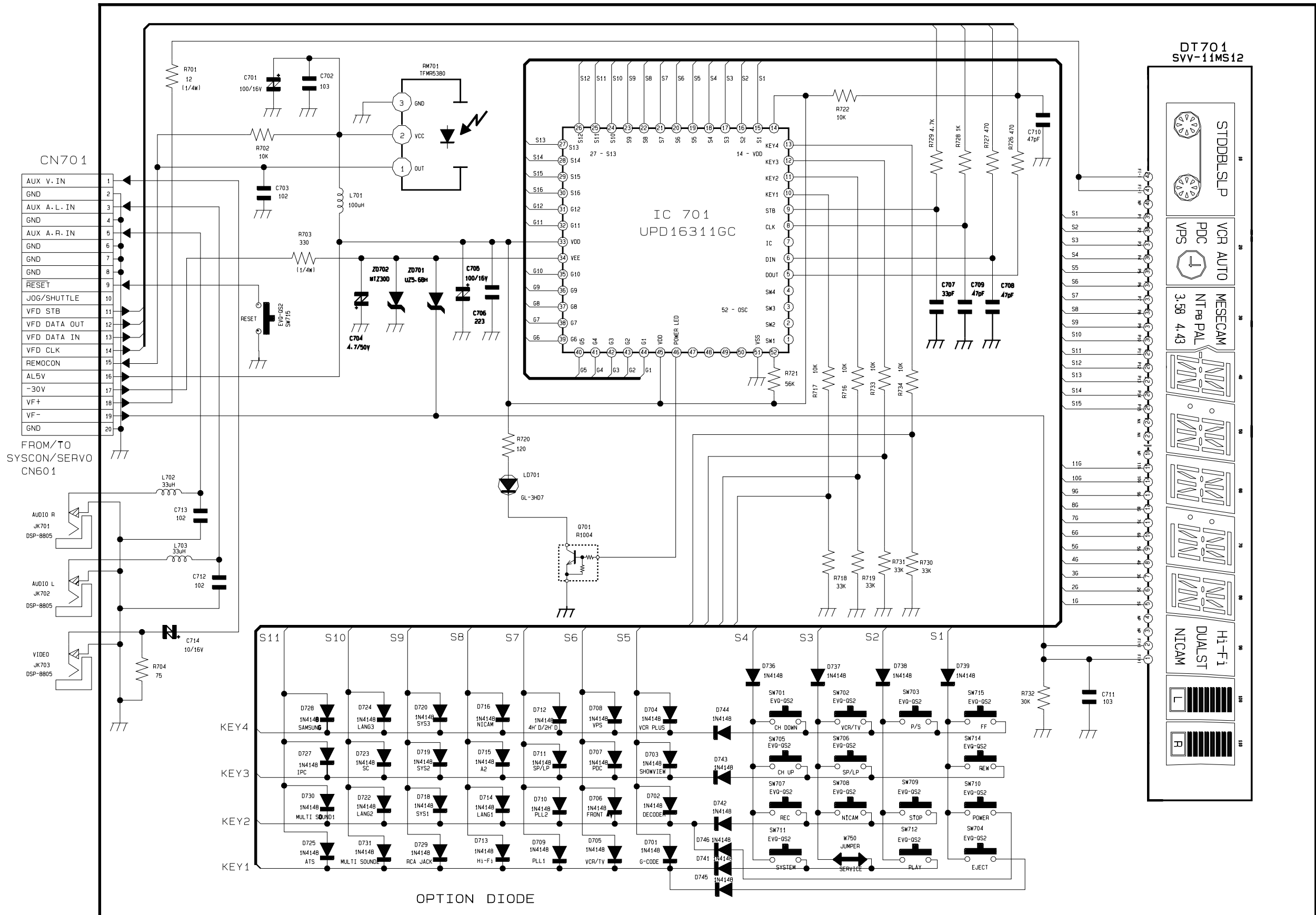
11-6 I/O



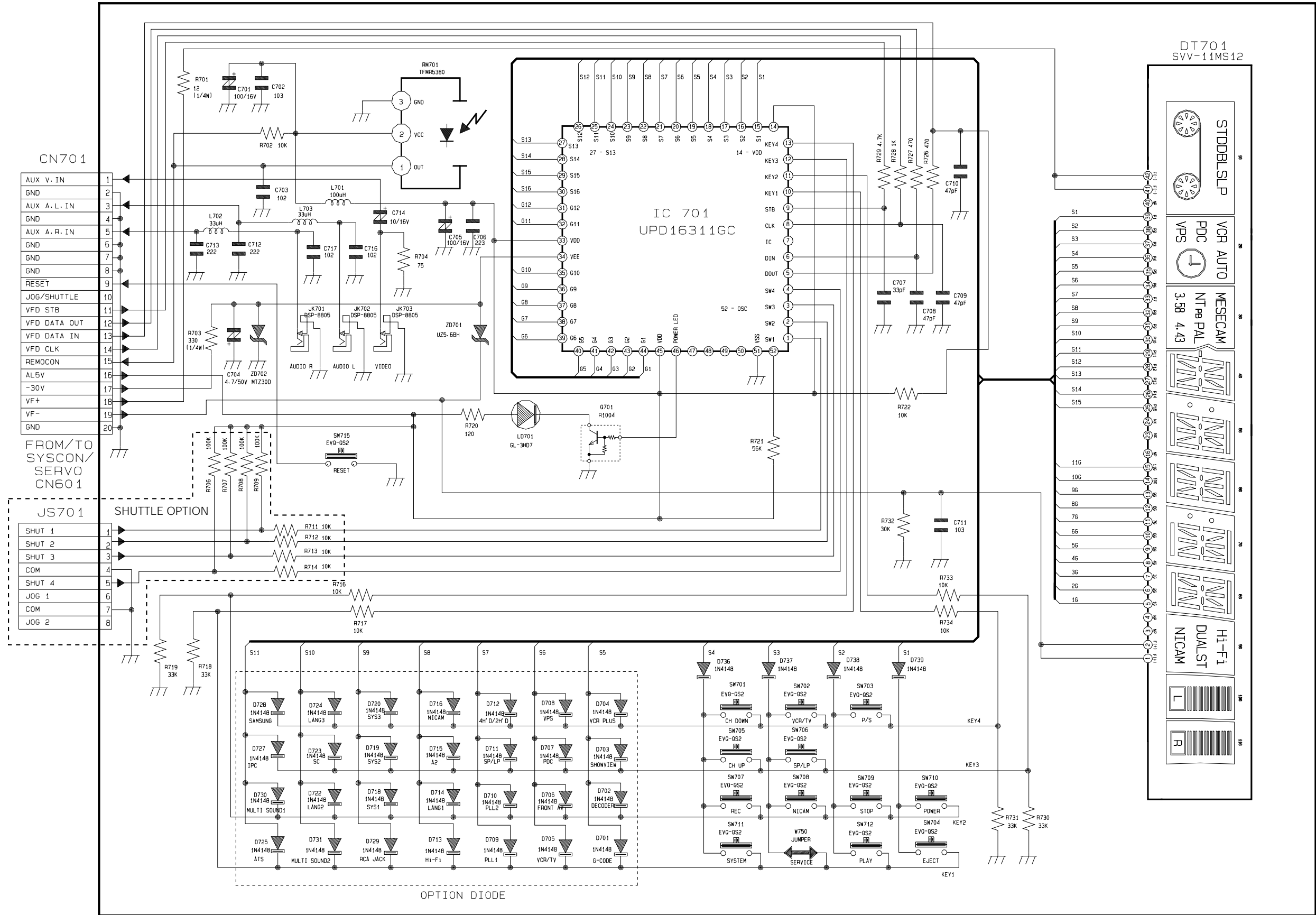
11-7 Sub



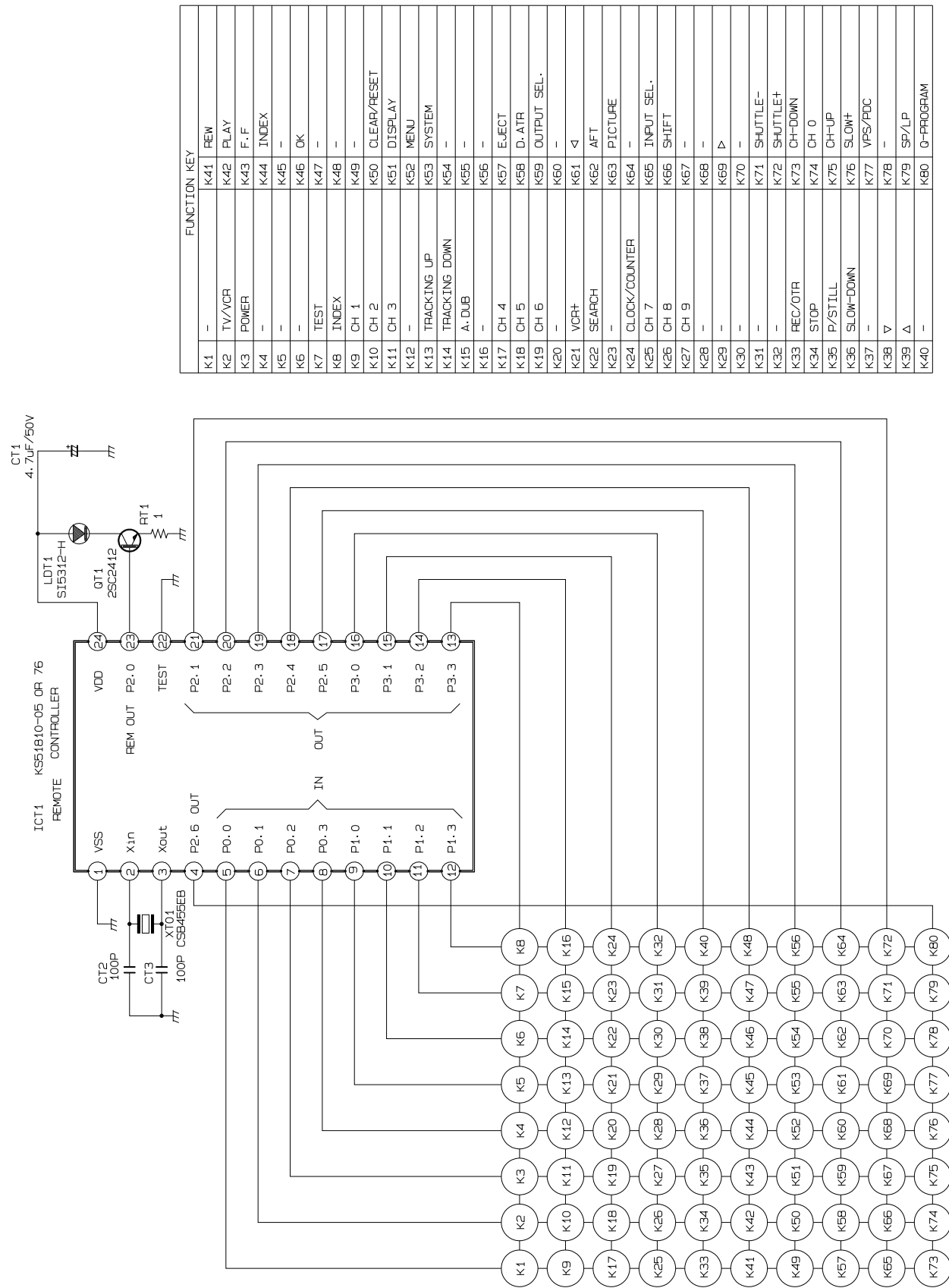
11-8 Function-Timer(SV-130B)



11-9 Function-Timer(SV-140B)



11-10 Remote-Control (SV-A130B)



FUNCTION KEY	
K1	-
K2	TV/VCR
K3	POWER
K4	-
K5	-
K6	-
K7	TEST
K8	INDEX
K9	CH 1
K10	CH 2
K11	CH 3
K12	-
K13	TRACKING UP
K14	TRACKING DOWN
K15	A. DUB
K16	-
K17	CH 4
K18	CH 5
K19	CH 6
K20	-
K21	VCRH
K22	SEARCH
K23	-
K24	CLOCK/COUNTER
K25	CH 7
K26	CH 8
K27	CH 9
K28	-
K29	-
K30	-
K31	-
K32	-
K33	REC/OTR
K34	STOP
K35	P/STILL
K36	SLOW-DOWN
K37	-
K38	V
K39	Δ
K40	-
K41	REW
K42	PLAY
K43	F. F
K44	INDEX
K45	-
K46	OK
K47	-
K48	-
K49	-
K50	CLEAR/RESET
K51	DISPLAY
K52	MENU
K53	SYSTEM
K54	-
K55	-
K56	-
K57	EJECT
K58	D. ATR
K59	OUTPUT SEL.
K60	-
K61	◀
K62	AFT
K63	PICTURE
K64	-
K65	INPUT SEL.
K66	SHIFT
K67	-
K68	-
K69	▶
K70	-
K71	SHUTTLE-
K72	SHUTTLE+
K73	CH-DOWN
K74	CH 0
K75	CH-UP
K76	SLOW+
K77	VPS/POC
K78	-
K79	SP/LP
K80	0-PROGRAM

11-11 Remote-Control (SV-A140B)

