



# VIDEO CASSETTE RECORDER

SV-A35G/SV-C30G

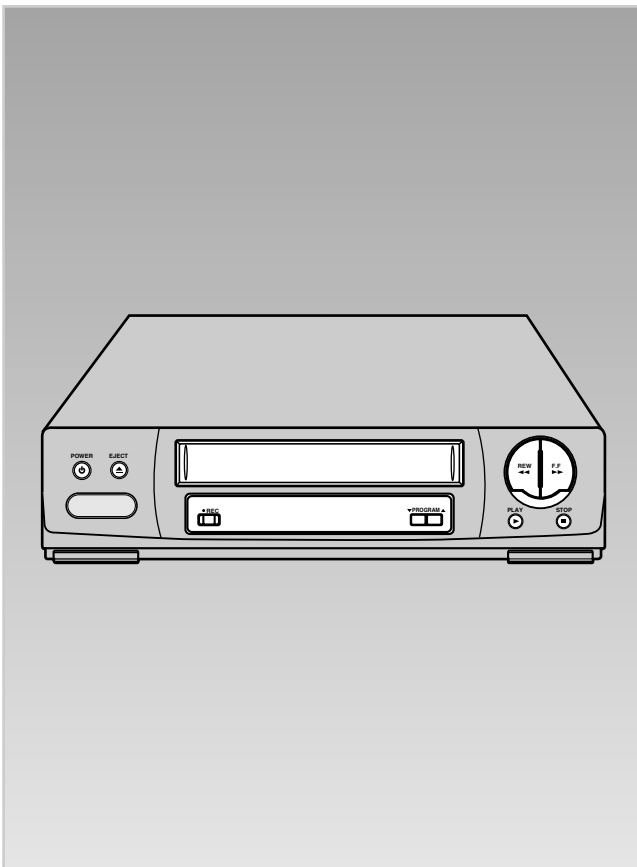
SV-A13G



# **SERVICE** *Manual*

For mechanical disassembly and adjustment, refer to the "Mechanical Manual" (DX7-R/DX7-RC/DX8-R/DX8-RC) → AC68-20316A).

## VIDEO CASSETTE RECORDER



## CONTENTS

1. Precautions
2. Reference Information
3. Product Specifications
4. Disassembly and Reassembly
5. Alignment and Adjustment
6. Exploded View and Parts List
7. Electrical Parts List
8. Block Diagrams
9. PCB Diagrams
10. Wiring Diagram
11. Schematic Diagrams

# 1. Precautions

1. Be sure that all of the built-in protective devices are replaced. Restore any missing protective shields.
2. When reinstalling the chassis and its assemblies, be sure to restore all protective devices, including : control knobs and compartment covers.
3. Make sure that there are no cabinet openings through which people--particularly children --might insert fingers and contact dangerous voltages. Such openings include the spacing between the picture tube and the cabinet mask, excessively wide cabinet ventilation slots, and improperly fitted back covers.

If the measured resistance is less than 1.0 megohm or greater than 5.2 megohms, an abnormality exists that must be corrected before the unit is returned to the customer.

4. Leakage Current Hot Check (See Fig. 1) :  
Warning : Do not use an isolation transformer during this test. Use a leakage current tester or a metering system that complies with American National Standards Institute (ANSI C101.1, *Leakage Current for Appliances*), and Underwriters Laboratories (*UL Publication UL1410, 59.7*).
5. With the unit completely reassembled, plug the AC line cord directly the power outlet. With the unit's AC switch first in the ON position and then OFF, measure the current between a known earth ground (metal water pipe, conduit, etc.) and all exposed metal parts, including : antennas, handle brackets, metal cabinets, screwheads and control shafts. The current measured should not exceed 0.5 milliamp. Reverse the power-plug prongs in the AC outlet and repeat the test.
6. X-ray Limits :  
The picture tube is designed to prohibit X-ray emissions. To ensure continued X-ray protection, replace the picture tube only with one that is the same type as the original.

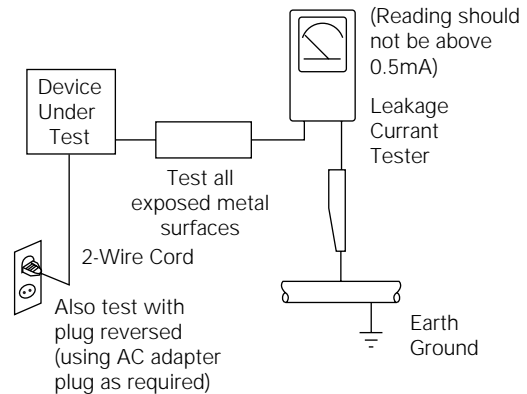
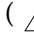
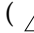


Fig. 1-1 AC Leakage Test

7. Antenna Cold Check :  
With the unit's AC plug disconnected from the AC source, connect an electrical jumper across the two AC prongs. Connect one lead of the ohmmeter to an AC prong. Connect the other lead to the coaxial connector.
8. High Voltage Limit :  
High voltage must be measured each time servicing is done on the B+, horizontal deflection or high voltage circuits.  
  
Heed the high voltage limits. These include the *X-ray protection Specifications Label*, and the *Product Safety and X-ray Warning Note* on the service data schematic.
9. Some semiconductor ("solid state") devices are easily damaged by static electricity. Such components are called Electrostatically Sensitive Devices (ESDs); examples include integrated circuits and some field-effect transistors. The following techniques will reduce the occurrence of component damage caused by static electricity.
10. Immediately before handling sny semiconductor components or assemblies, drain the electrostatic charge from your body by touching a known earth ground. Alternatively, wear a discharging Wrist-strap device. (Be sure to remove it prior to applying power--this is an electric shock precaution.)

11. High voltage is maintained within specified limits by close-tolerance, safety-related components and adjustments. If the high voltage exceeds the specified limits, check each of the special components.
12. Design Alteration Warning :  
Never alter or add to the mechanical or electrical design of this unit. Example : Do not add auxiliary audio or video connectors. Such alterations might create a safety hazard. Also, any design changes or additions will void the manufacturer's warranty.
13. Hot Chassis Warning :  
Some TV receiver chassis are electrically connected directly to one conductor of the AC power cord. If an isolation transformer is not used, these units may be safely serviced only if the AC power plug is inserted so that the chassis is connected to the ground side of the AC source.  
  
To confirm that the AC power plug is inserted correctly, do the following : Using an AC voltmeter, measure the voltage between the chassis and a known earth ground. If the reading is greater than 1.0V, remove the AC power plug, reverse its polarity and reinsert. Re-measure the voltage between the chassis and ground.
14. Some TV chassis are designed to operate with 85 volts AC between chassis and ground, *regardless of the AC plug polarity*. These units can be safely serviced *only* if an isolation transformer inserted between the receiver and the power source.
15. Never defeat any of the B+ voltage interlocks.  
Do not apply AC power to the unit (or any of its assemblies) unless all solid-state heat sinks are correctly installed.
16. Always connect a test instrument's ground lead to the instrument chassis ground *before* connecting the positive lead; always remove the instrument's ground lead last.
17. Observe the original lead dress, especially near the following areas : Antenna wiring, sharp edges, and especially the AC and high voltage power supplies. Always inspect for pinched, out-of-place, or frayed wiring. Do not change the spacing between components and the printed circuit board. Check the AC power cord for damage. Make sure that leads and components do not touch thermally hot parts.
18. Picture Tube Implosion Warning :  
The picture tube in this receiver employs "integral implosion" protection. To ensure continued implosion protection, make sure that the replacement picture tube is the same as the original.
19. Do not remove, install or handle the picture tube without first putting on shatterproof goggles equipped with side shields. Never handle the picture tube by its neck. Some "in-line" picture tubes are equipped with a permanently attached deflection yoke; do not try to remove such "permanently attached" yokes from the picture tube.
20. Product Safety Notice :  
Some electrical and mechanical parts have special safety-related characteristics which might not be obvious from visual inspection. These safety features and the protection they give might be lost if the replacement component differs from the original--even if the replacement is rated for higher voltage, wattage, etc.  
  
Components that are critical for safety are indicated in the circuit diagram by shading, (  or  ).  
Use replacement components that have the same ratings, especially for flame resistance and dielectric strength specifications. A replacement part that does not have the same safety characteristics as the original might create shock, fire or other hazards.

---

## 2. Reference Information

---

### 2-1 Servicing Jigs and Special Tools

---

#### 2-1-1 Servicing guide

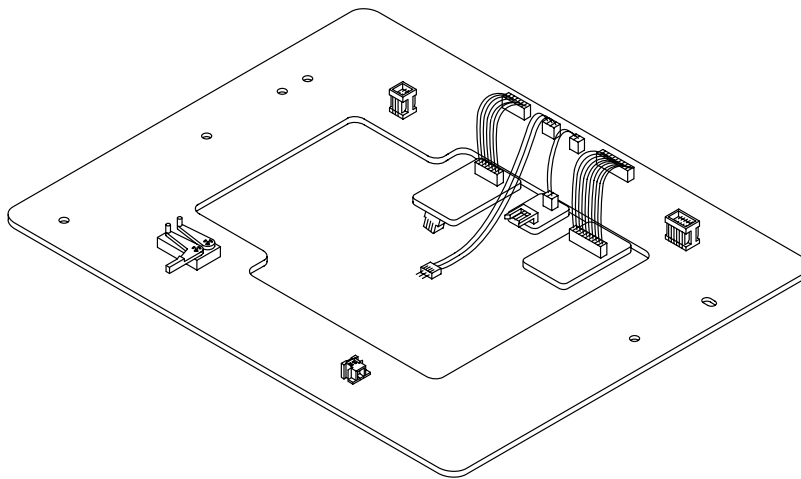
1. For this VCR chassis, the program switch and the sensors (start/end/reel) are located on the main PCB, not on the deck ass'y.
2. As long as the deck ass'y is connected to the main PCB, all repairs are possible.  
Important : In order to repair the main PCB without the deck ass'y connected, the X-5 chassis jig should be used.
3. To emulate the function of the sensors, connect a jumper or solder land (two point) at service option(W750) on the function-timer PCB.
4. The X-5 chassis jig can be used for the following :
  - 1) When repairing or confirming the operation of the deck ass'y.
  - 2) When replacing or repairing the components located under the deck ass'y.
  - 3) When repairing the function PCB.
5. The X-5 chassis jig can not be used for the following :
  - 1) Repairing defects in the video section.
  - 2) Repairing defects in the audio section.
  - 3) If the defect is related to tape speed.

**Note :**

- 1) Repair may not be possible if there is external noise between the deck ass'y and main PCB.
- 2) If tape control signal is not connected to the jig, the VCR must be operated in SP mode.

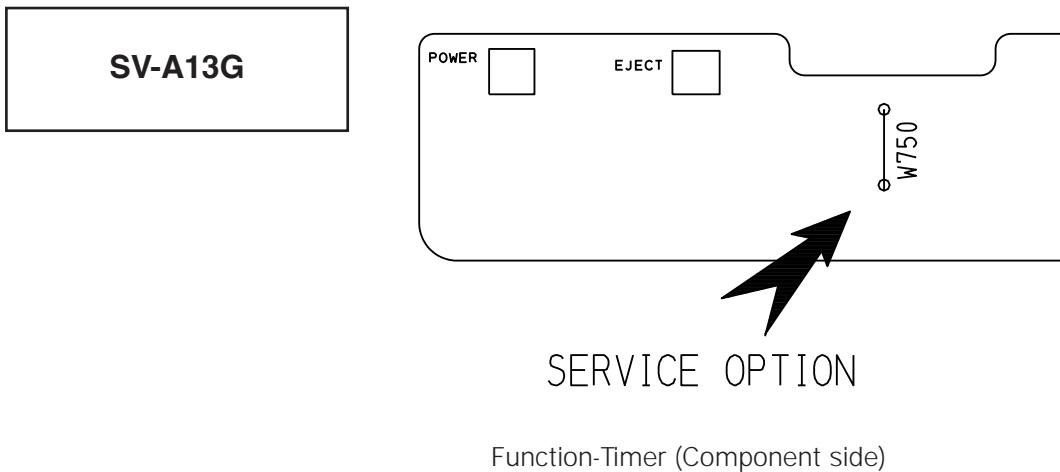
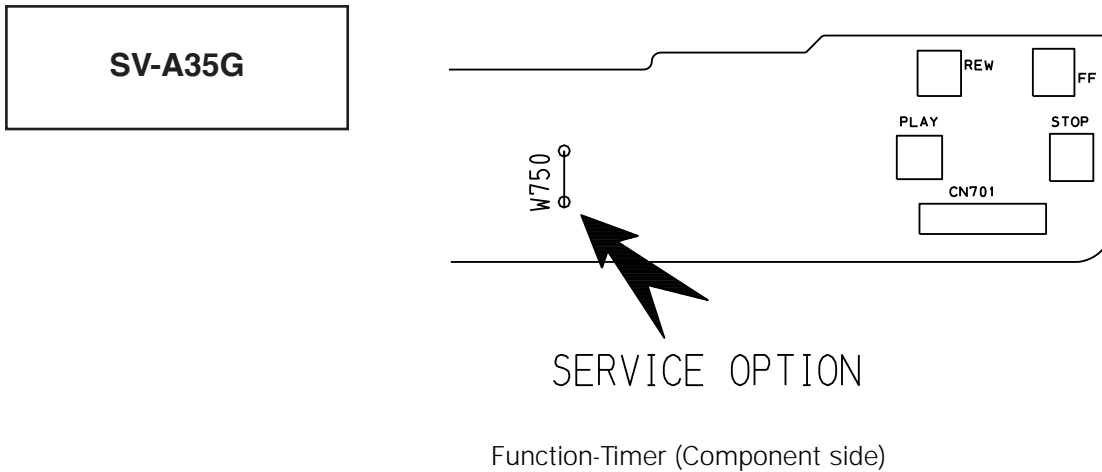
#### 2-1-2 Servicing Jig

Jig Item	Part No.	Use
X-5 Chassis Jig	68140-500-013	Connects the deck ass'y to the main PCB connecting cable.



### 2-1-4 How to Connect X-5 chassis jig

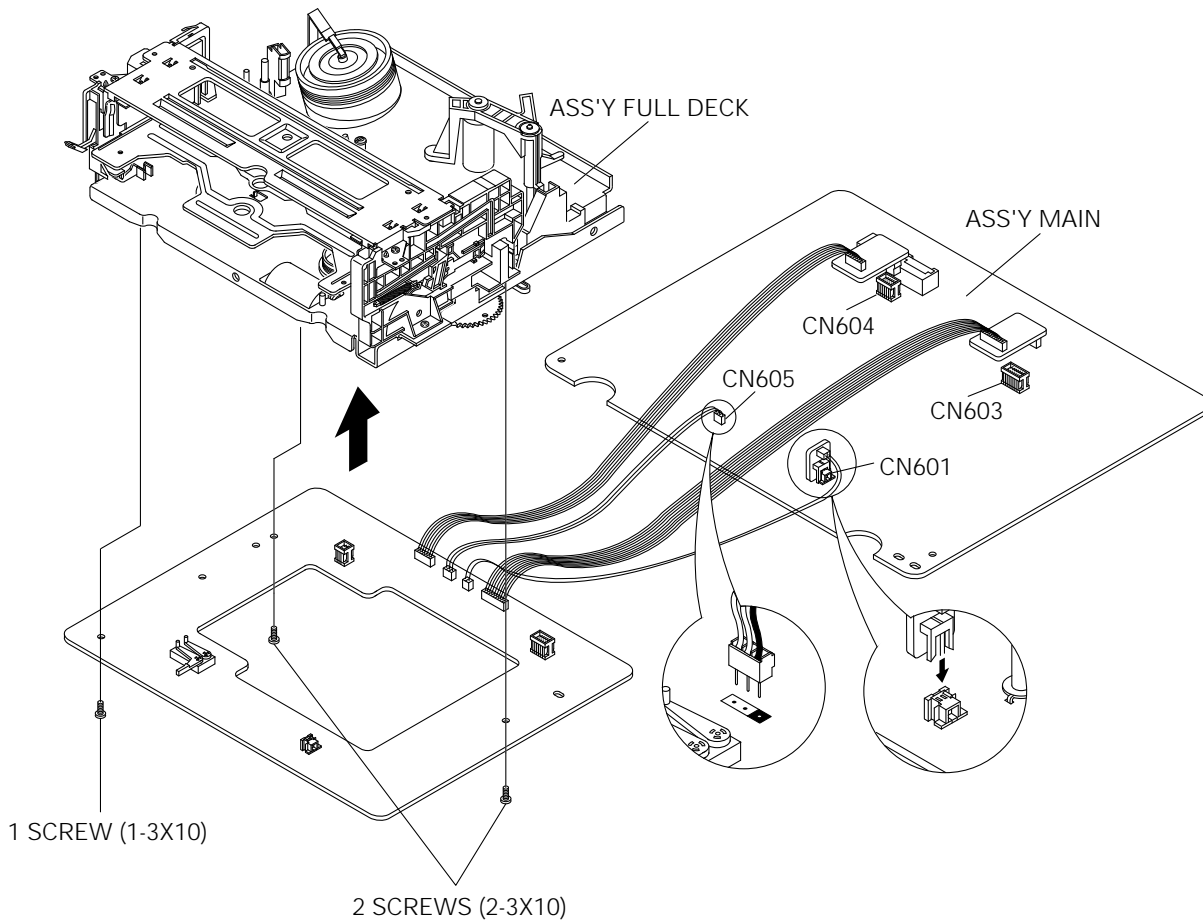
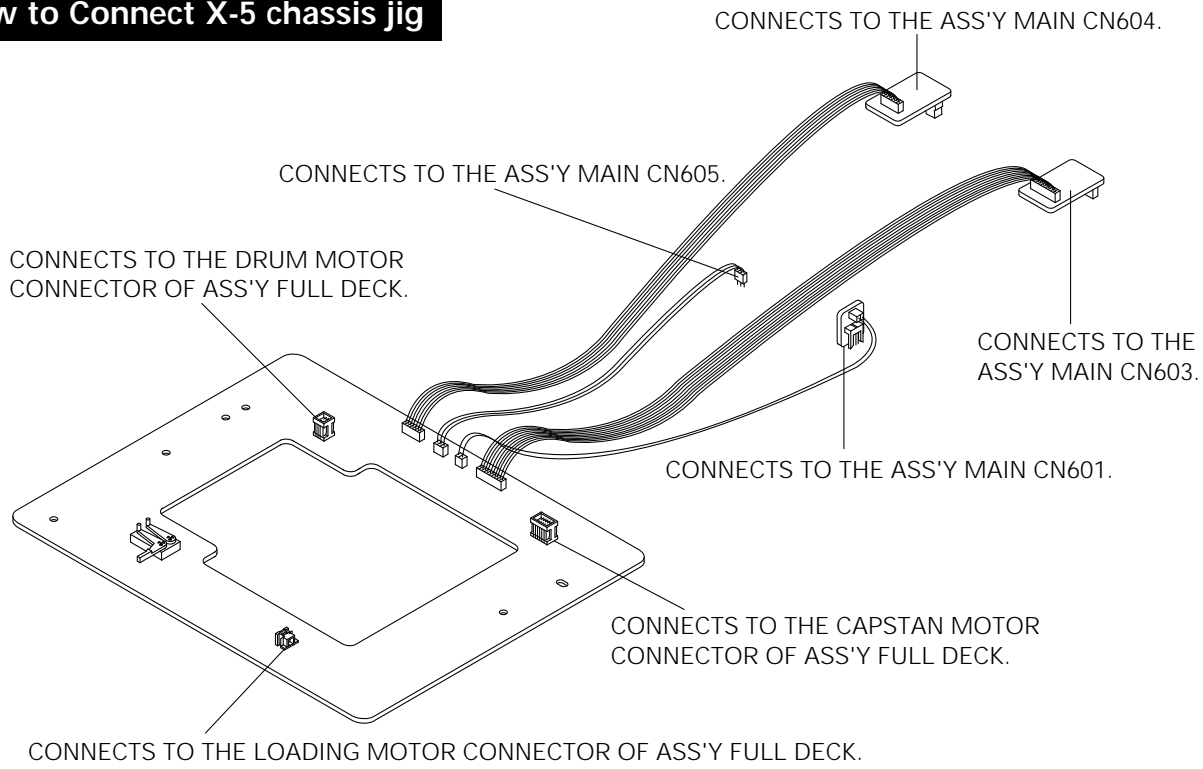
1. Unplug the power cord from AC outlet.
2. Remove the deck ass'y from main PCB (See Page 4-5 of service manual).
3. To emulate the function of the sensors, place a jumper or solder land (two point) at service option(W750) on the function-timer PCB. (see diagram below).



**Note :** After completing repairs, SW715 on the function PCB in order to reset.

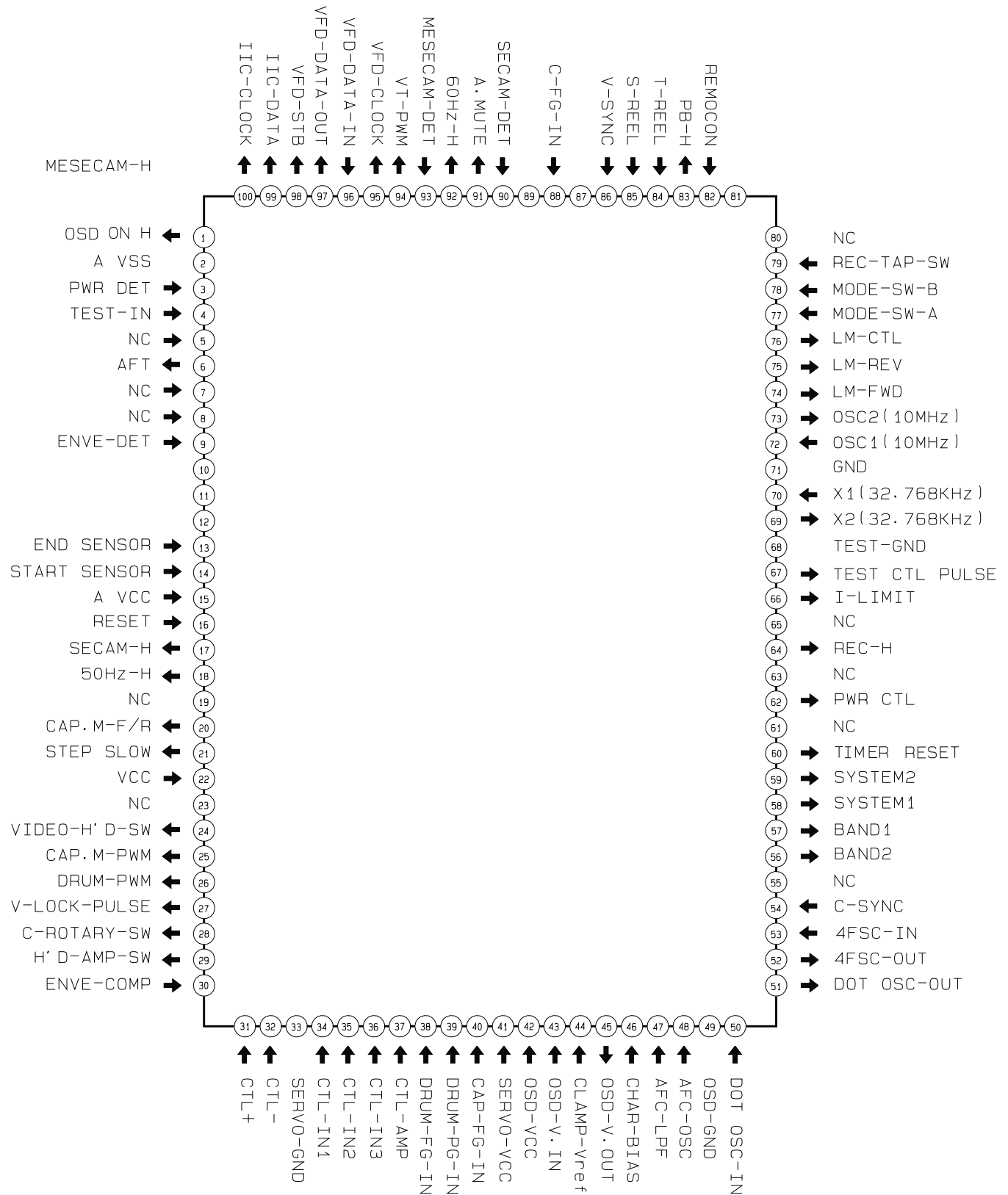
4. Insert wafers of drum motor, capstan motor and loading motor on X-5 chassis jig into each of the connectors of deck ass'y, and then secure with three screws.
5. Solder the 3 leads of the jig cable to "CN605" on the main PCB.
6. Apply power to the function PCB.
7. Insert a test tape into the housing ass'y.
8. Simultaneously touch the start and end sensor LEDs on the PCB, so that the tape loads automatically. After the tape is loaded, all of the function buttons on the function PCB can be used.
9. If the test tape is ejected while the jig is in use, attempt to re-load the tape by simultaneously touching the start and end sensor LEDs. If the tape still does not load, reset the function PCB by pressing SW715.

**How to Connect X-5 chassis jig**

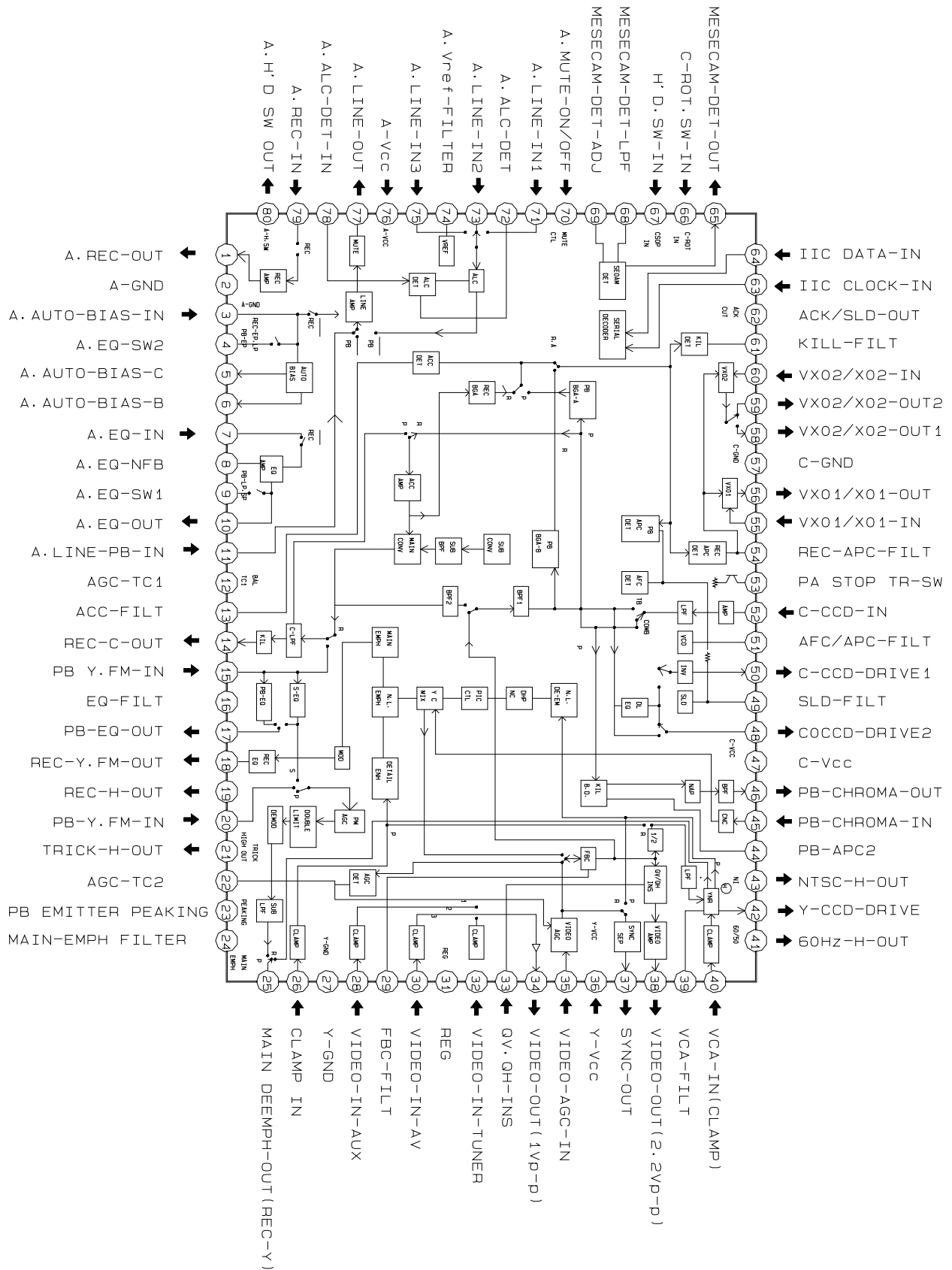


## 2-2 IC BLOCK

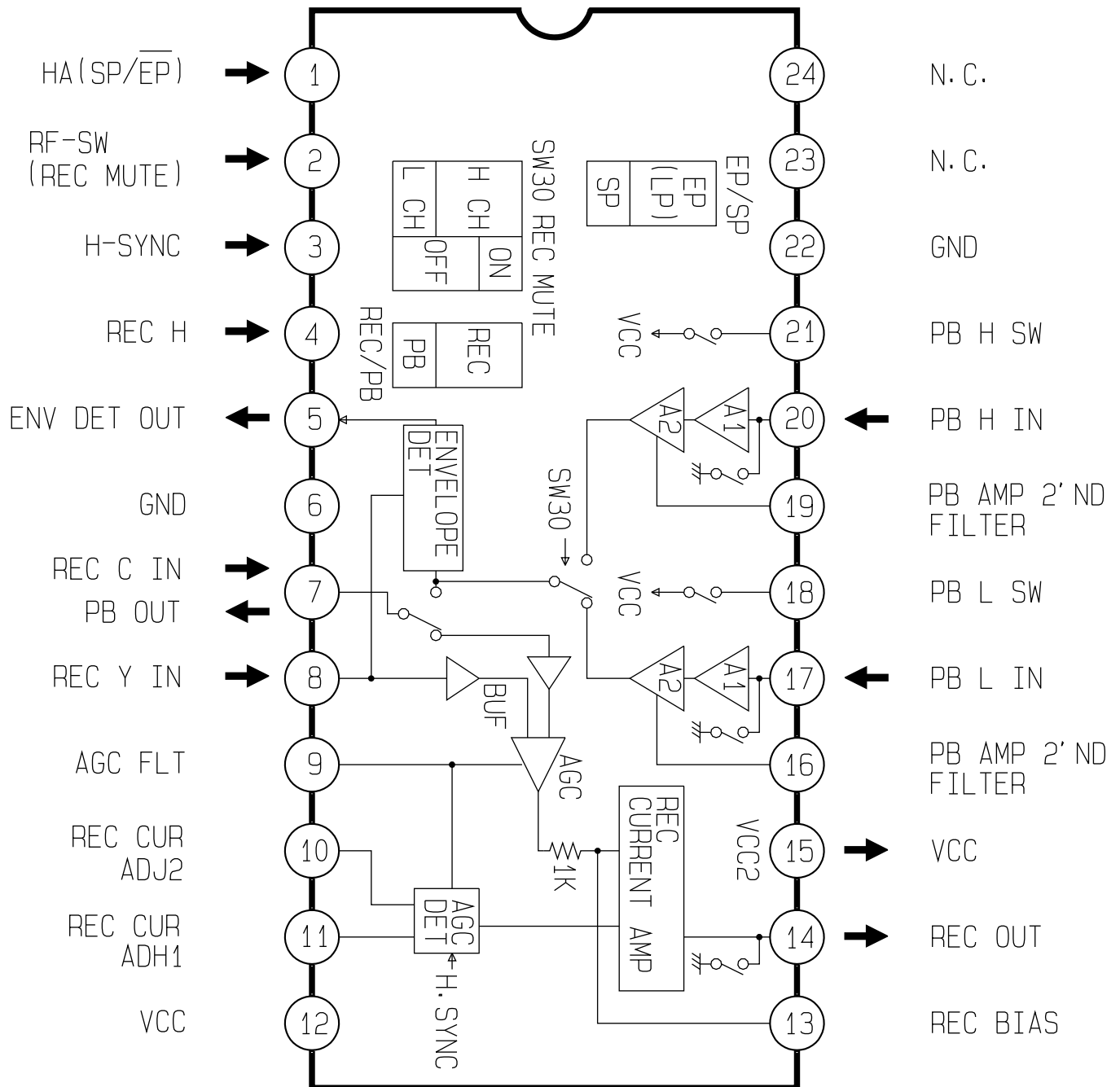
### 2-2-1 IC601 (HD6433976R)



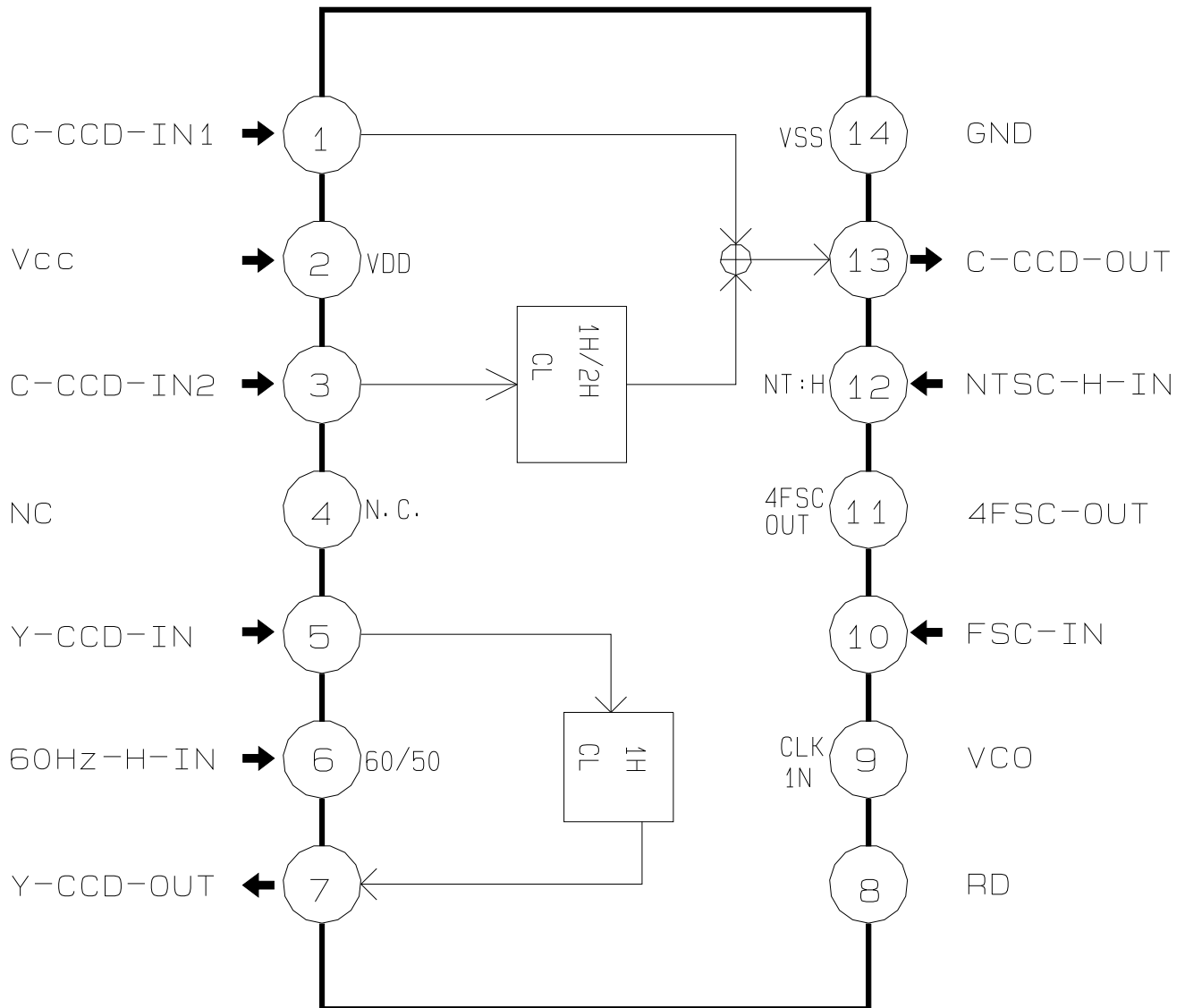
2-2-2 IC301 (SS11501M/SS11511M)



**2-2-3 IC302 (LA7411)**



## 2-2-4 IC303 (SS23478MSS23377M)



# MEMO

## 3. Product Specifications and Comparison Chart

### 3-1 Product Specifications

Design and specifications are subject to change without notice.

Operation	Description
Format	VHS PAL/MESECAM standard
Heads	Video : 2 rotary heads Audio/Control : 1 stationary head, Erase : 1 full track erase head
Receiving channel	VHF-I, VHF-III, UHF, Interband/Hyperband
Television system	STANDARD D/K, B/G
Luminance	FM azimuth recording
Colour system	PAL/MESECAM : Down converted subcarrier phase shifted direct recording NTSC PB on PAL TV
Tape speed	SP : 23.39 mm/sec
Recording/playback time	SP : 3 hours (E-180 Tape)
F.F/REW time	About 5 min in REW/F.F with E-180
VIDEO	
Input Output Signal-to-noise ratio Horizontal resolution	0.5 to 2.0 Vp-p : 75 ohm unbalanced 1.0 ± 0.2 Vp-p : 75 ohm unbalanced Better than 43 dB (SP) More than 240 lines (SP)
Audio	
Input Output Wow and flutter (WTD) Signal-to-noise ratio Frequency response	-8 dBm, 47 Kohm unbalanced -8 ± 3 dBm, 1 Kohm unbalanced 0.4% max (SP) 42 dB min (IHF A filter) 20Hz-20KHz
Power requirement	230V (AC 50/60 Hz)
Power consumption	Approx. 18 watts
Operation temperature	41°F-104°F (5°C-40°C)
Operation humidity	10%-75%
Weight	3.2 Kg (net)
Dimensions (W x H x D)	360 x 93.5 x 290.5 mm

### 3-2 Comparison Chart

FUNCTION MODEL	SYSTEM	SECAM	TUNER/RF	FLT	SHUTTLE	POWER	POWER CORD
SV-A35G/SMR	PAL/MESE/NTPB/NT3.58/4.43	X	VS/PLL RF	O	REMOCON	230V	CP-2
SV-A35G/TSE	PAL/MESE/NTPB/NT3.58/4.43	X	VS/PLL RF	O	REMOCON	230V	EP-2
SV-A35G/HACO	PAL/MESE/NTPB/NT3.58/4.43	X	VS/PLL RF	O	REMOCON	FREE VOLT	CP-2
SV-A35G/CIS	PAL/MESE/NTPB/NT3.58/4.43	X	VS/PLL RF	O	REMOCON	FREE VOLT	CP-2
SV-A13G/SMR	PAL/MESE/NTPB/NT3.58/4.43	X	PLL RF	X	X	FREE VOLT	CP-2
SV-A13G/TSE	PAL/MESE/NTPB/NT3.58/4.43	X	PLL RF	X	X	FREE VOLT	CP-2
SV-A13G/HACO	PAL/MESE/NTPB/NT3.58/4.43	X	PLL RF	X	X	FREE VOLT	CP-2
SV-A13G/CIS	PAL/MESE/NTPB/NT3.58/4.43	X	PLL RF	X	X	FREE VOLT	CP-2

---

## 4. Disassembly and Reassembly

---

### 4-1 Cabinet Assembly

---

**Note :** Disassemble in the order shown.  
Reassemble in reverse order.

#### 4-1-1 Cabinet Top removal

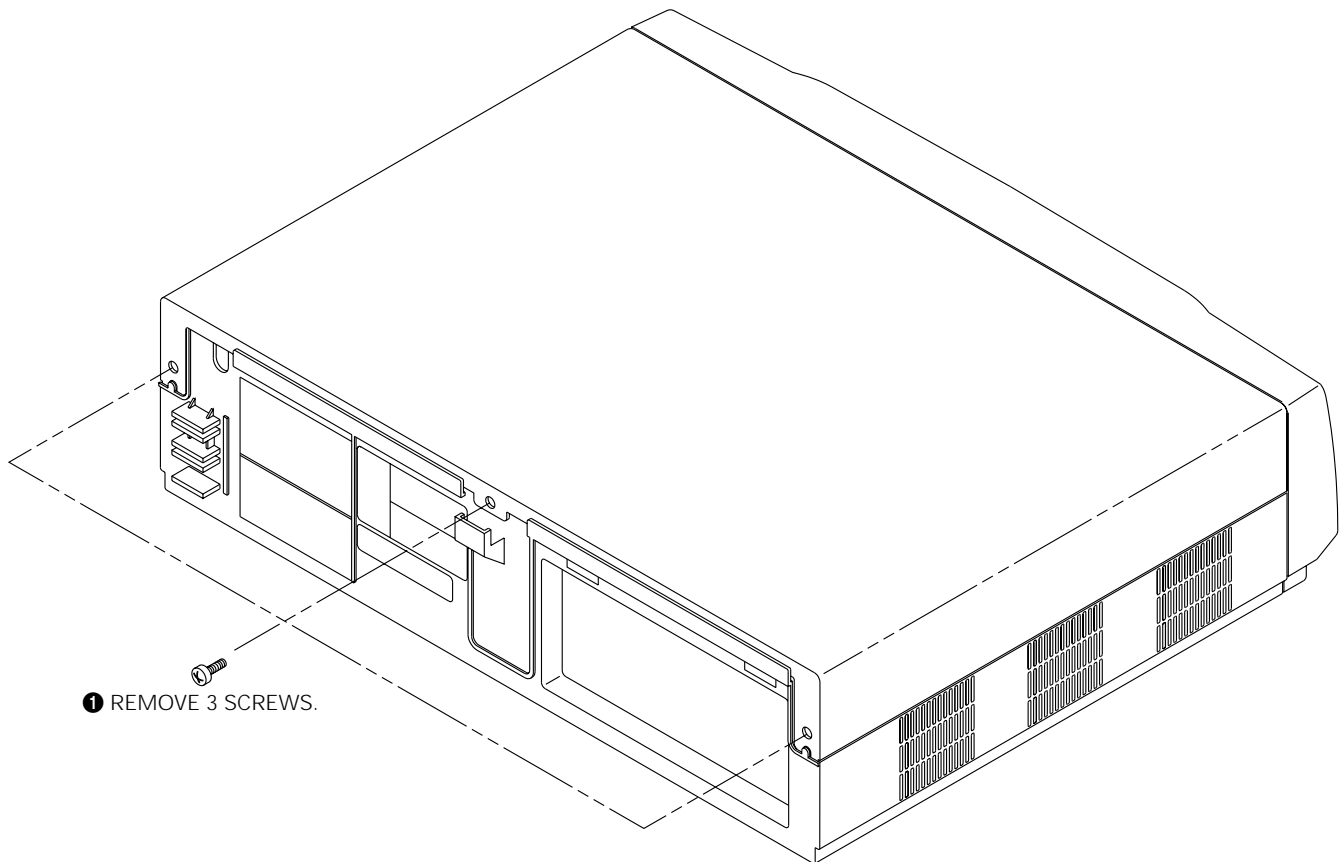


Fig. 4-1 Cabinet Top removal

### 4-1-2 Bottom cover removal

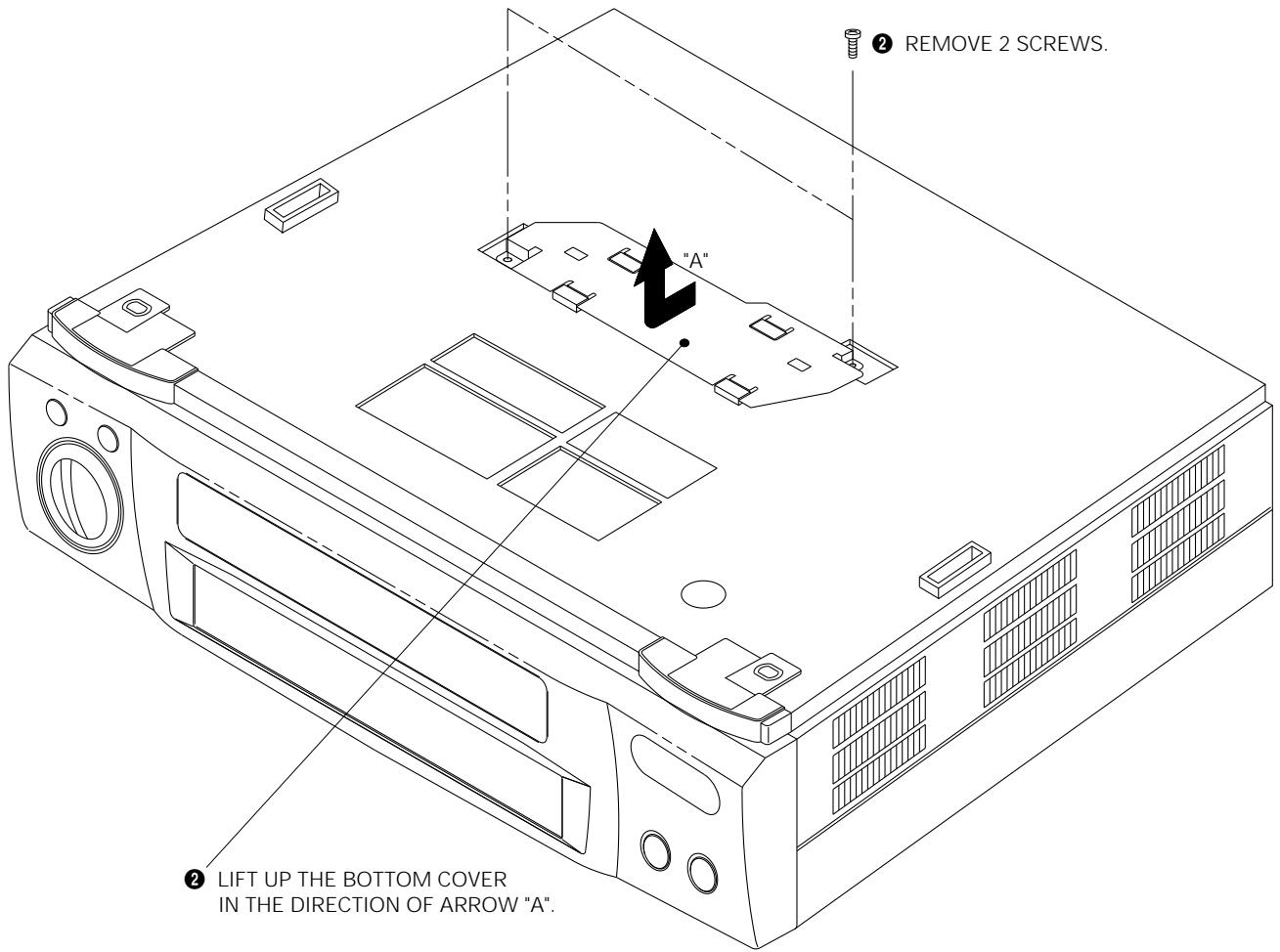
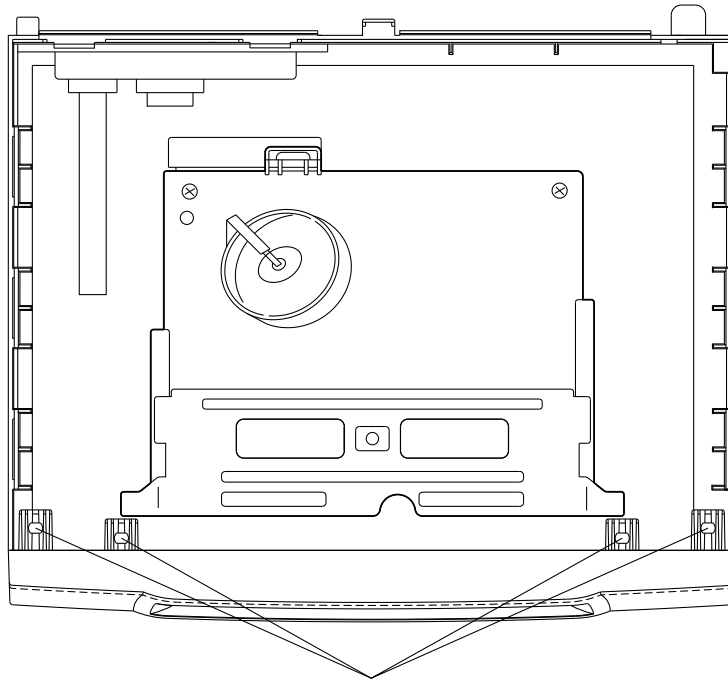


Fig. 4-2 Bottom Cover removal

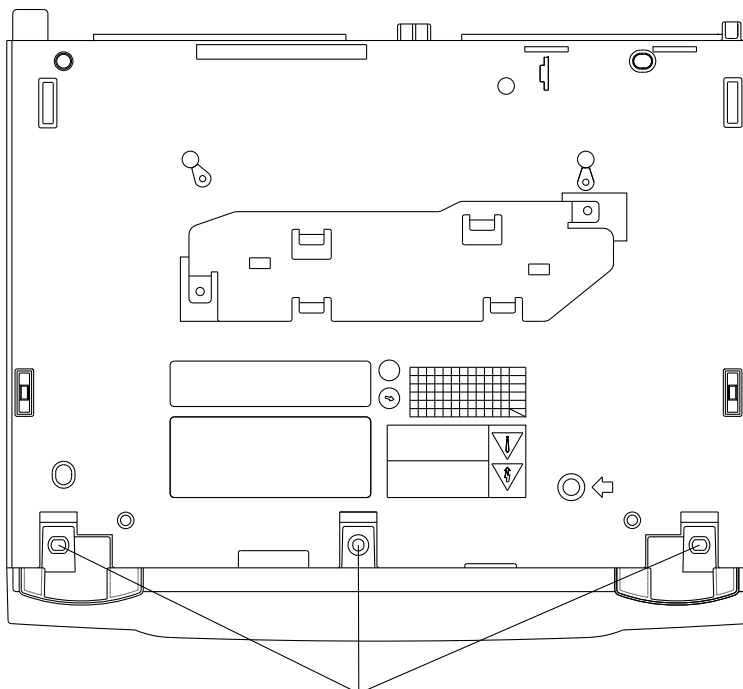
### 4-1-3 Ass'y Front Panel removal

1. Release 4 hooks on the top side and 3 hooks on the bottom side and then, pull the ass'y front panel to remove.



❶ RELEASE 4 HOOKS.

(Top view)



❷ RELEASE 3 HOOKS.

(Bottom view)

Fig. 4-3 Ass'y Front Panel removal

### 4-1-4 Ass'y Function-Timer removal

**Note :** Take extreme care not to damage the PCB when removing it.

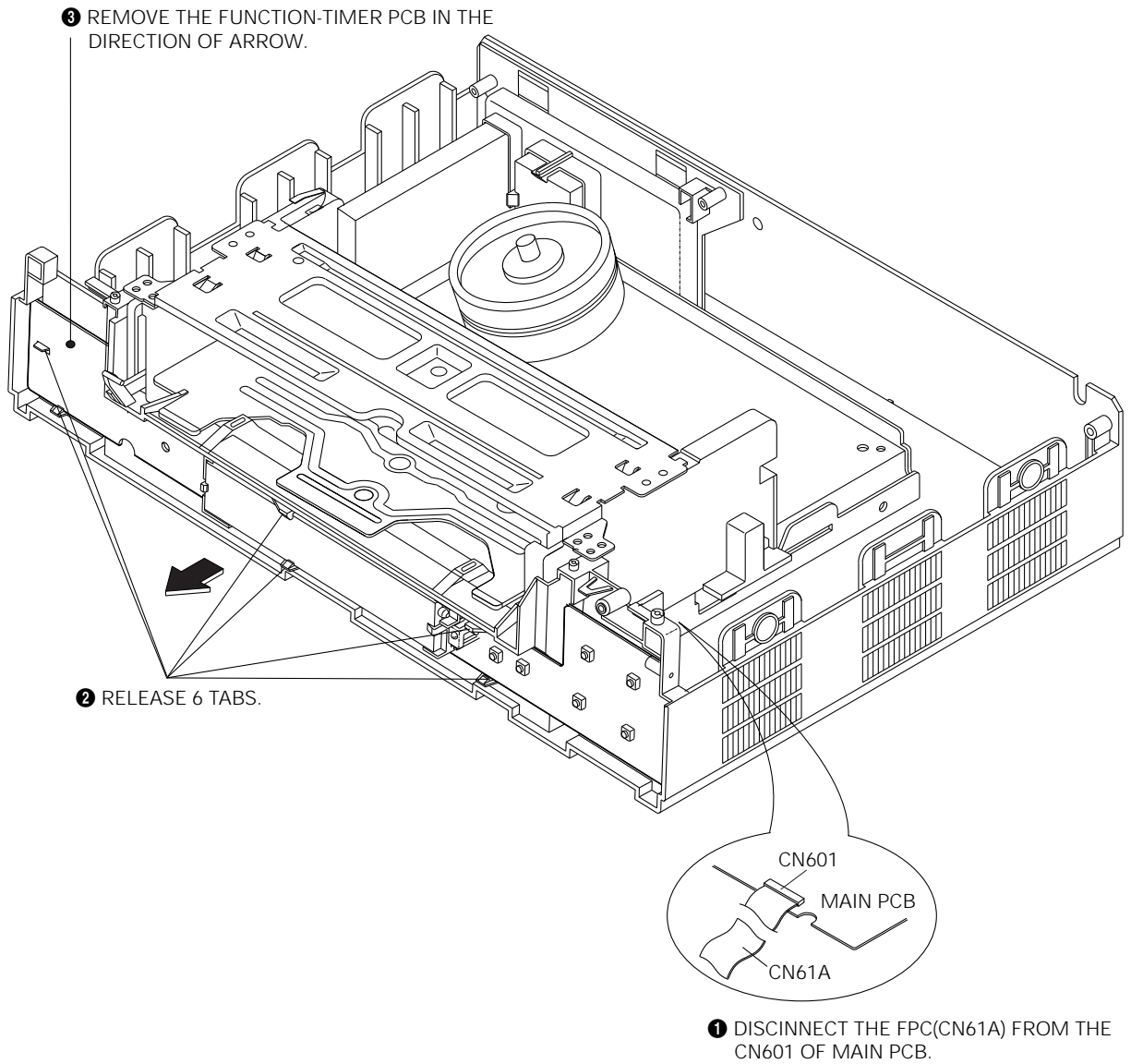


Fig. 4-4 Ass'y Function-Timer removal

## 4-1-5 Chassis removal

- Note :** 1. When removing chassis, take extreme care not to damage the main PCB front.  
2. When reinstalling the deck on the main PCB, take extreme care not to damage the sensor.

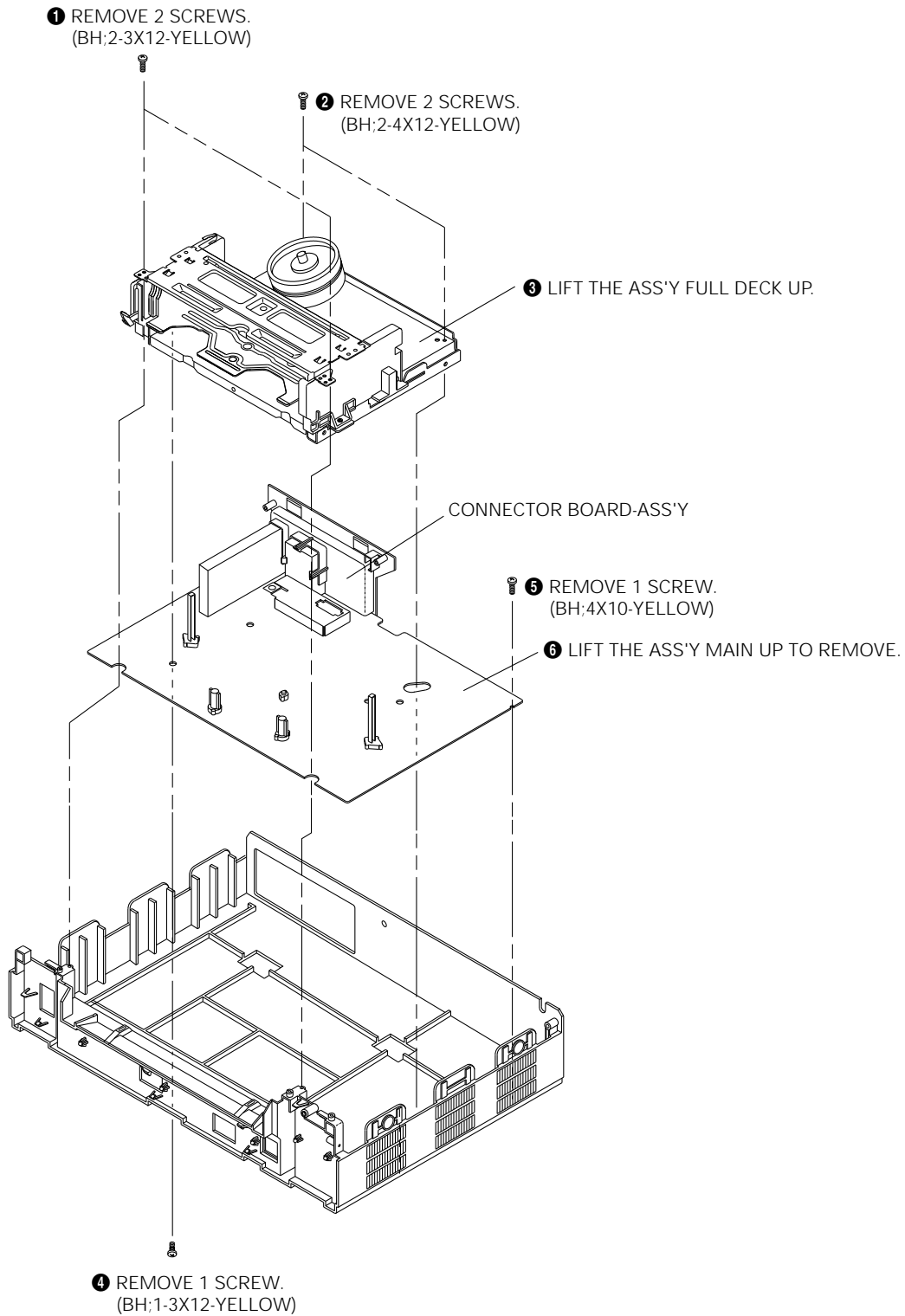


Fig. 4-5 Chassis Removal

## 4-2 Circuit Board Locations

---

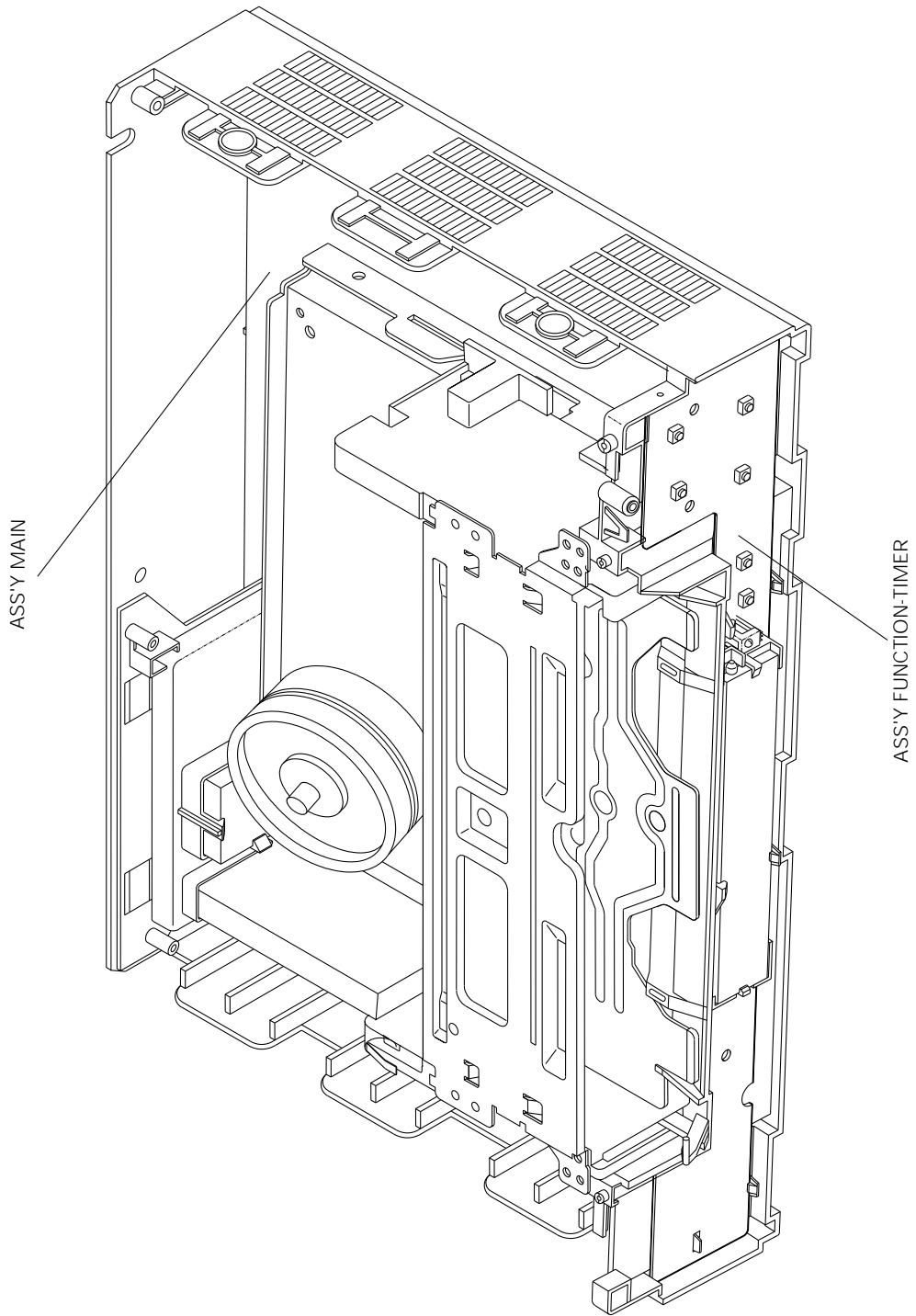


Fig. 4-6 Circuit Board Locations

## 5. Alignment and Adjustment

**Note :** After replacing the ass'y full deck, the ass'y main, the cylinder ass'y and the micom(IC601), the remote control ass'y can be used to adjust the "X-point (tracking center) adjustment" and "Head S/W point" adjustment.

### 5-1 Reference

#### 5-1-1 The type of remote control ass'y

1. Normal remote control ass'y for X-7/X-8 (DX7-R/DX7-RC/DX8-RC) CHASSIS. (SEE FIG 5-1)

#### 5-1-2 How to identify between normal remote control ass'y

1. Audio button is added instead of the test button hidden behind of inlay.
2. The positions of some buttons are different.

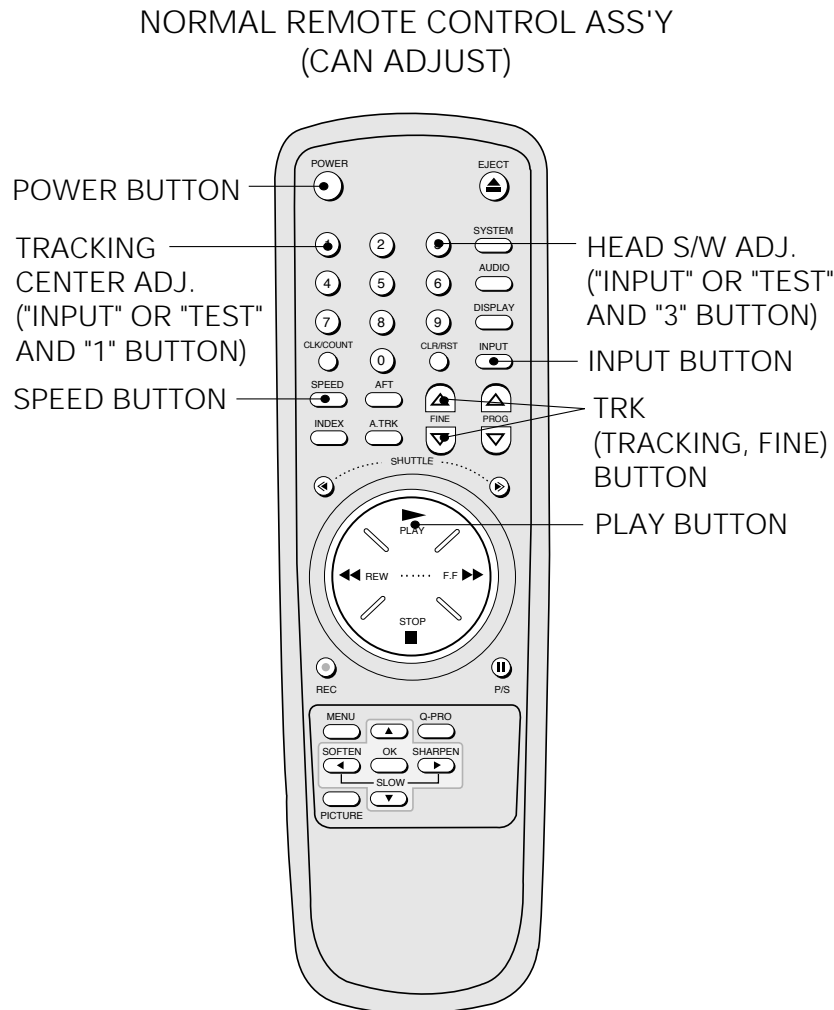


Fig. 5-1 Remote Control Ass'y Jig for X-7/X-8 Chassis

## 5-2 Mechanical Adjustment

**Note :** Refer to the Mechanical Manual “DX7-R/DX7-RC/DX8-R/DX8-RC (AC68-20316A)” for the adjustment and confirmation of ass’y full deck.

### 5-2-1 The number and position of test point

Test point : TP02 (CTL Pulse)  
TP03 (H'D S/W -Trigger)  
TP04 (V. Envelope)  
TP05 (Audio out)

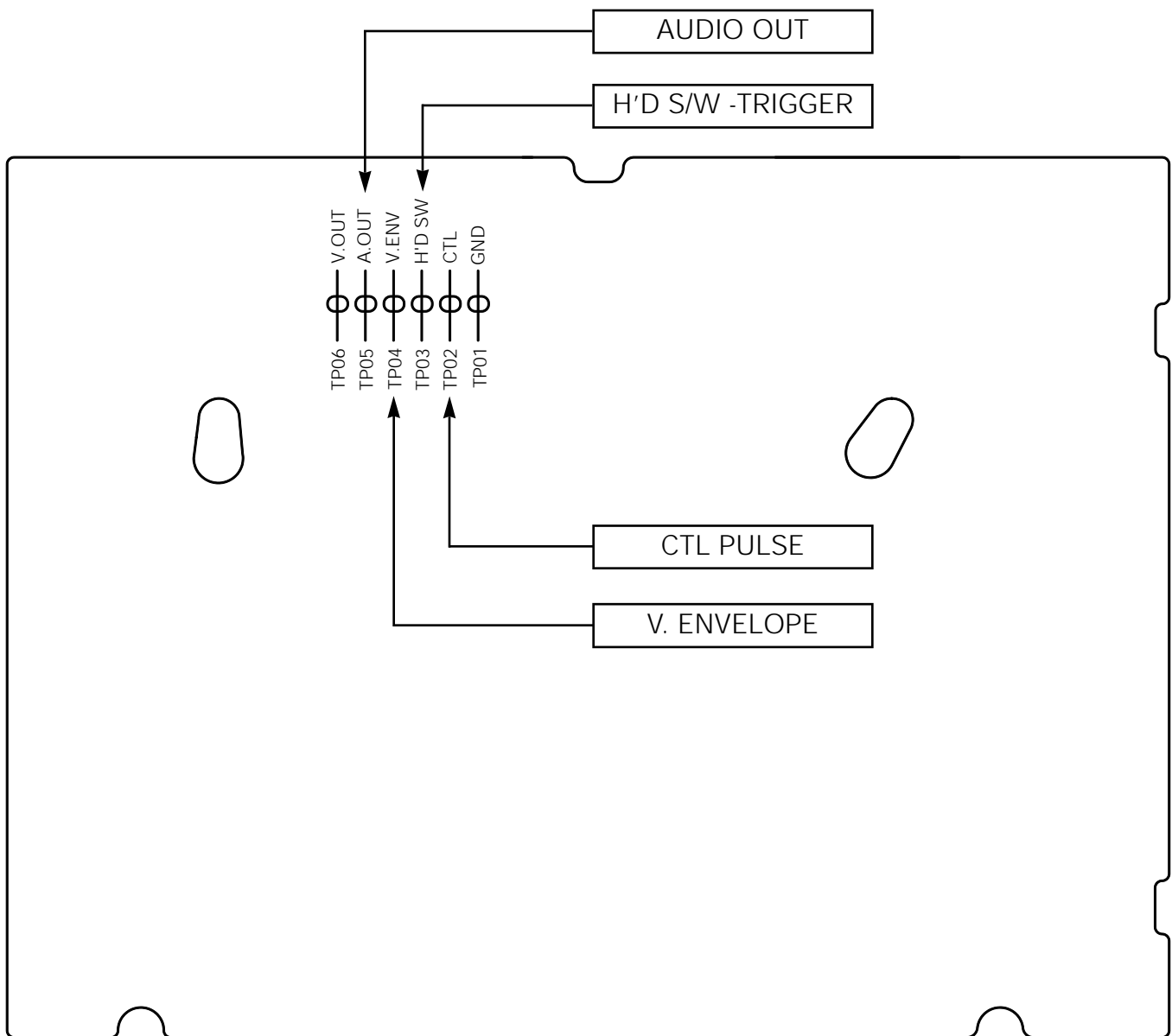


Fig. 5-3 The position of test point (Main PCB-Component side)

### 5-2-2 X-Point(Tracking center) adjustment (See the 2-2-1 (d) AC HEAD POSITION(X-POINT) ADJUSTMENT on page 2-3 of the mechanical manual)

#### 5-2-2 (a) IF THE REMOTE CONTROL ASS'Y IS NOT AVAILABLE

1. Playback the colorbar alignment tape.
2. Connect CH-1 scope probe to "TP02" and CH-2 scope probe to "TP03". And then, trigger head switching pulse.
3. Set tracking preset to 11msec (2head : 2.7msec, 4, 6head : 11msec) using the "FINE(Tracking, TRK)" button ▲ / ▼ of the other remote control ass'y except the remote control ass'y jig for X-5/ X-6 chassis and the normal remote control ass'y for X-7/X-8 chassis.
4. Connect CH-1 scope probe to "TP02" and the CH-2 to "TP03" trigger on CH-1.
5. Insert the adjusting driver (+) into X-position adjusting gear. Adjust the driver in either direction for maximum envelope waveform.

**Note :** Since the adjusting gear unit may be damaged, do not adjust by force when adjusting the X-point using the adjusting driver (+). After turn the X-point adjusting screw (D) counterclockwise a little, perform the adjustment. After adjustment is completed, tighten the screw.

<Setting of scope>

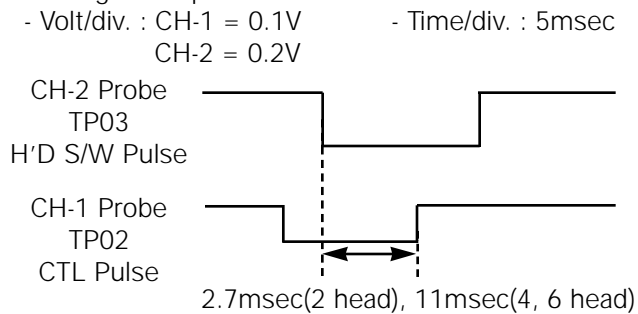


Fig. 5-4 Tracking preset adjustment

REMOTE BUTTONS	CONTROL PULSE REMOVE
▲ PUSH TRACKING ▼	
▲ TRACKING ▼ PUSH	

Fig. 5-5 Tracking preset adjustment

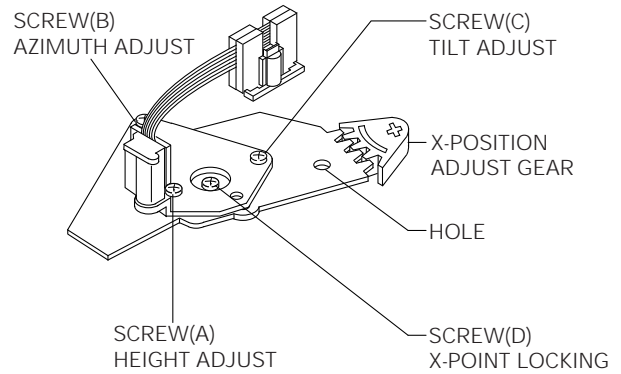


Fig. 5-6 Location of A/C Head adjustment screw

#### 5-2-2 (b) IF THE REMOTE CONTROL ASS'Y (AC93-10039Y/69099-633-252) IS AVAILABLE

**Note :** How to use the "INPUT" button.

1. Disattach the inlay of remote control ass'y. (See Fig. 5-1 and Fig. 5-2)
2. Press the "TEST" button with the pincers and the precise driver as shown in Fig. 5-1 and 5-2)

1. When using the "INPUT" button of remote control ass'y;

- 1) Simultaneously press the "INPUT" button and "1" button in PB mode.  
This will adjust the tracking center automatically.
- 2) Set the tracking preset using the "FINE(Tracking, TRK)" button of remote control.
- 3) After adjustment is completed, press the "POWER" button to release.

2. When using the "TEST" button of remote control ass'y ;

- 1) Simultaneously press the "TEST" button and "5" button in PB mode.  
This will adjust the tracking center automatically.
- 2) Set the tracking preset using the "FINE (Tracking, TRK) button of remote control.
- 3) After adjustment is completed, press the "POWER" button to release.

5-2-2 (b) IF THE NORMAL REMOTE CONTROL ASS'Y OF X-7/X-8(DX7-R/DX7-RC/DX8-R/DX8-RC) CHASSIS IS AVAILABLE

**Note 1 :** Two kinds of remote control ass'y are used for X-7/X-8(DX7-R/DX7-RC/DX8-R/DX8-RC) chassis.

1. One is a normal remote control ass'y, the other is a multi remote control ass'y
2. All adjustments are adjusted by normal remote control ass'y only.
3. For the identification of normal remote control ass'y and multi remote control ass'y, See page 5-1.

**Note 2 :** How to use the "TEST" button.

1. Disattach the inlay of remote control ass'y.  
(See Fig. 5-1 and Fig. 5-2)
  2. Press the "TEST" button with the pincers and the precise driver as shown in Fig. 5-1 and 5-2)
- 
1. When using the "INPUT" button of remote control ass'y;
    - 1) Simultaneously press the "INPUT" button and "1" button in PB mode.  
This will adjust the tracking center automatically.
    - 2) Set the tracking preset using the "FINE(Tracking, TRK)" button of remote control.
    - 3) After adjustment is completed, press the "POWER" button to release.
  2. When using the "TEST" button of remote control ass'y ;
    - 1) Simultaneously press the "TEST" button and "5" button in PB mode.  
This will adjust the tracking center automatically.
    - 2) Set the tracking preset using the "FINE (Tracking, TRK) button of remote control.
    - 3) After adjustment is completed, press the "POWER" button to release.

## 5-3 Electrical Adjustment

---

### 5-3-1 Head S/W Adjustment

**Note :** Only remote control ass'y can adjust.

5-3-1 (a) IF REMOTE CONTROL ASS'Y  
(AC93-10039Y/69099-633-252) IS  
AVAILABLE

1. When using the "INPUT" button of remote control  
ass'y ;

- 1) Insert an SP tape into the housing ass'y.
- 2) Press the "PLAY" button.
- 3) Press the "INPUT" button and "3" button  
simultaneously.
- 4) This will adjust the head S/W point adjustment  
automatically.
- 5) After the adjustment is completed, press  
"POWER" button to release.

2. When using the "TEST" button of remote control  
ass'y ;

- 1) Insert an SP tape into the housing ass'y.
- 2) Press the "PLAY" button.
- 3) Press the "TEST" button and "SP/LP" button  
simultaneously.
- 4) This will adjust the head S/W point adjustment  
automatically.
- 5) After adjustment is completed, press the  
"POWER" button to release.

5-3-1 (b) IF NORMAL REMOTE CONTROL  
ASS'Y FOR X-7/X-8(DX7-R/DX7-RC/  
DX8-R/DX8-RC) CHASSIS IS  
AVAILABLE

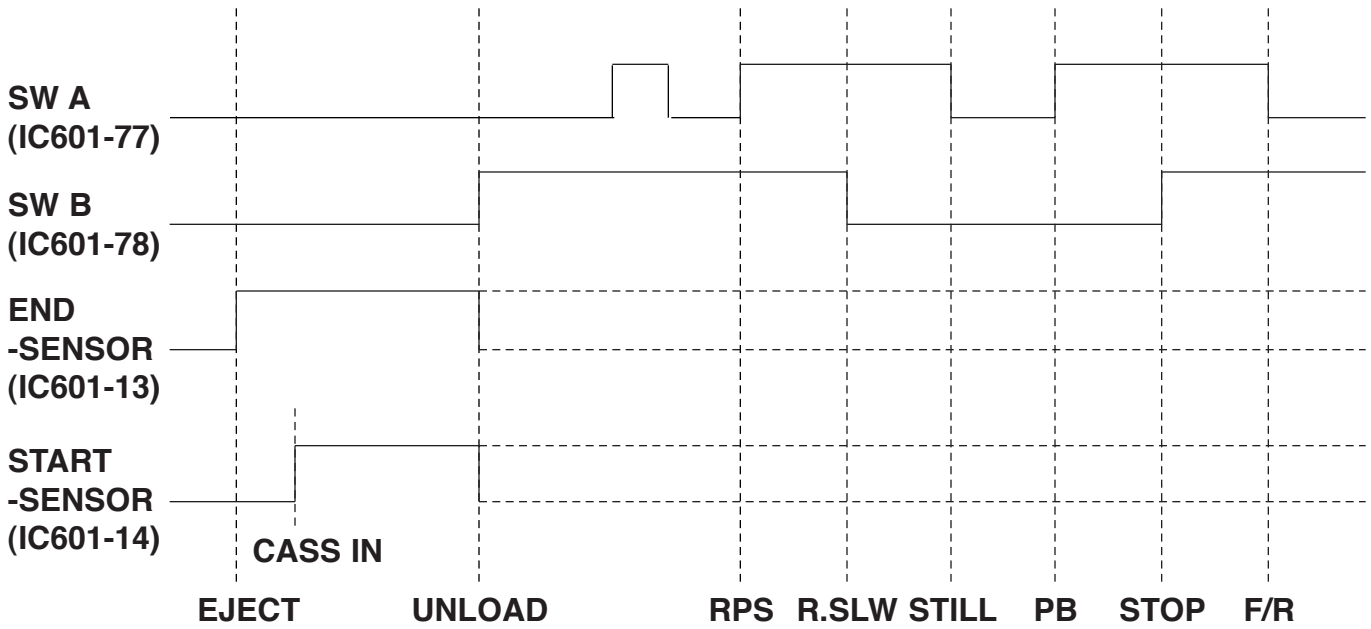
1. When using the "INPUT" button of remote control  
ass'y ;

- 1) Insert an SP tape into the housing ass'y.
- 2) Press the "PLAY" button.
- 3) Press the "INPUT" button and "3" button  
simultaneously.
- 4) This will adjust the head S/W point adjustment  
automatically.
- 5) After the adjustment is completed, press  
"POWER" button to release.

2. When using the "TEST" button of remote control  
ass'y ;

- 1) Insert an SP tape into the housing ass'y.
- 2) Press the "PLAY" button.
- 3) Press the "TEST" button and "SPEED" button  
simultaneously.
- 4) This will adjust the head S/W point adjustment  
automatically.
- 5) After adjustment is completed, press the  
"POWER" button to release.

### 5-4 Timing Chart of Program S/W



Position	Program S/W (SW601)				Action Mode
	E/S	S/S	SW A	SW B	
Eject	L	L	L	L	Eject
Cassette IN	H	L H	L	L	Cassette IN
Unload	-	-	L	L H	Unload
R. PS	-	-	L H	H	R. PS, Z-R. PS
R. Slow	-	-	H	H L	Pinch Roller off Position
Still	-	-	H L	L	Still, Slow, F-ADV
Play	-	-	L H	L	PB, T-Stop, REC, Pause, F. PS, Z-FPS
Stop	-	-	H	L H	Stop, Power off
FF/REW	-	-	H L	H	FF, REW

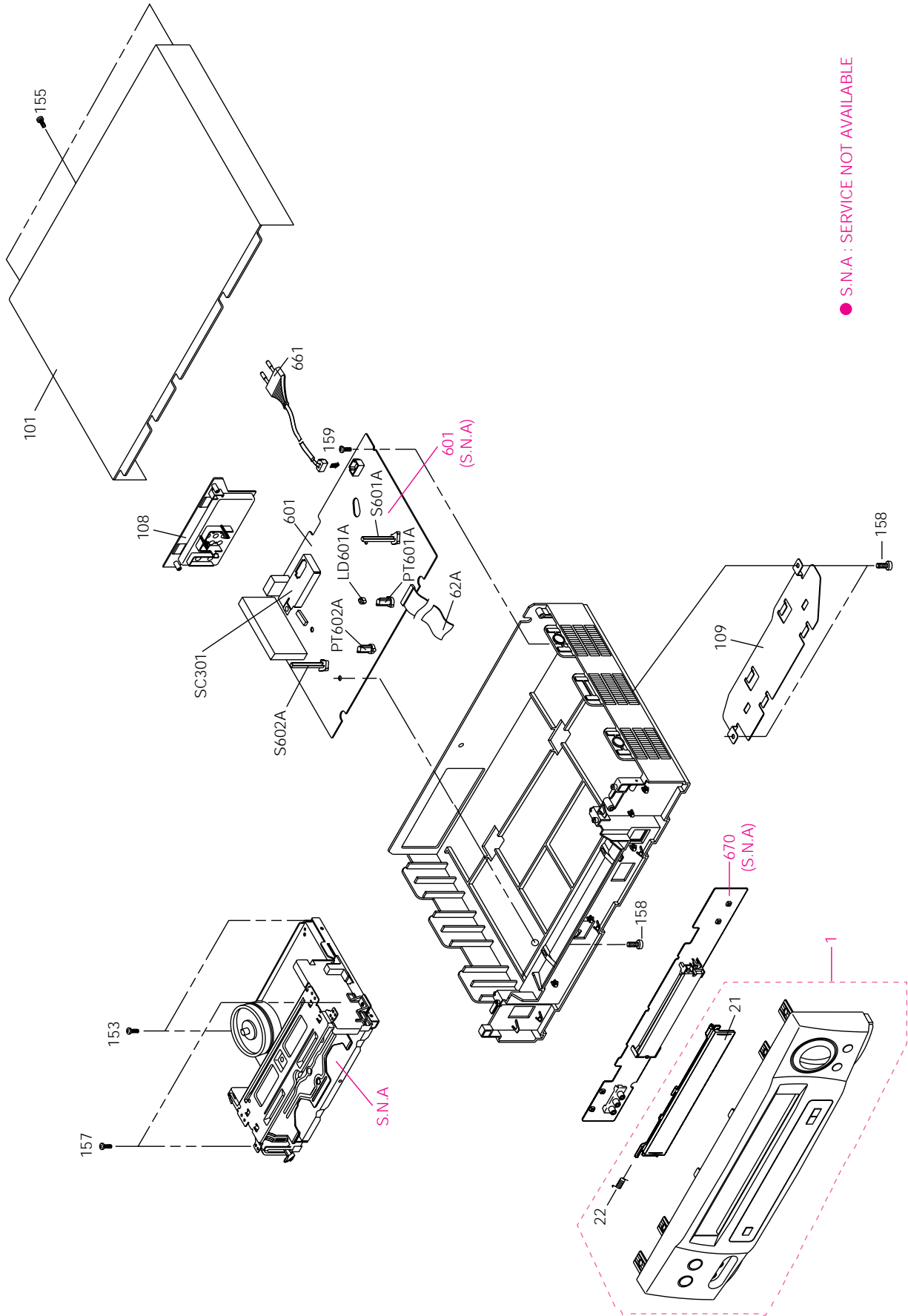
---

## 6. Exploded View and Parts List

---

	Page
6-1 Cabinet Assembly - - - - -	6-2
6-2 Mechanical Parts (Top Side) - - - - -	6-4
6-3 Mechanical Parts (Bottom Side) - - - - -	6-6
6-4 Housing Assembly - - - - -	6-8

## 6-1 Cabinet Assembly



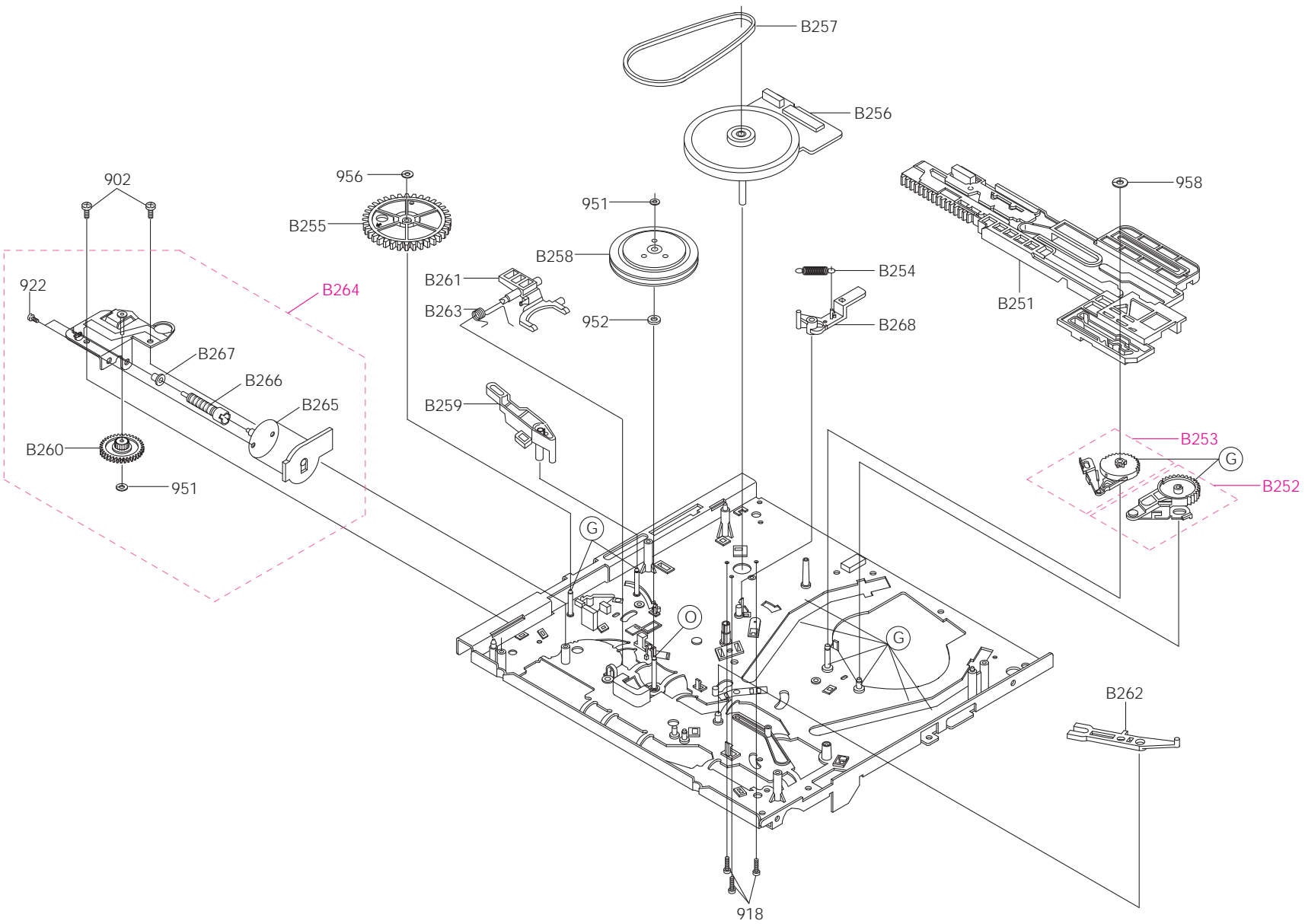
● S.N.A. : SERVICE NOT AVAILABLE

Loc. No	New Part No	Description and Specification	Remark
-	DO NOT ORDER	ASSY-FULL DECK (DX7-R)	(S.N.A)
1	AC98-11217U	ASSY-PANEL FRONT;SV-A35G/SV-C30G	SME LOCAL
	AC98-11217Y	ASSY-PANEL FRONT;SV-A13G	SME LOCAL
21	AC64-50920A	DOOR-CASSETTE;SV-A35G/SV-C30G	SME LOCAL
	AC64-50920B	DOOR-CASSETTE;SV-A13G	SME LOCAL
22	AC61-62003A	SPRING;-;SUS304,(GE/RCA),-,-,-,-	SME LOCAL
101	AC64-30838A	CABINET-TOP;SP-A12T,SECC,PCM,0.625,360*255	
	AC64-30831A	CABINET-TOP;-;HIPS,V2,T2,360*255*41,GRAY,-	
108	AC61-11004A	CONNECTOR BOARD-ASSY;SV-A35G/SMR,HIPS94,HB,T2.5,	SME LOCAL
109	AC63-30514A	COVER-BOTTOM;SV-A120U,SECC,-,T0.5,-,-,-,-	
153	AC60-12126A	SCREW-BH;-;BH,-,4*12,FE,FZY,-,-,-	
155	AC60-12134A	SCREW-TAP BH;-;BH,-,2-4X16,-,FE	
157	AC60-10063A	SCREW-TAPTITE;BH,+,-,M3,L12,ZPC3,SWRCH18A	
158	AC60-10063A	SCREW-TAPTITE;BH,+,-,M3,L12,ZPC3,SWRCH18A	
159	A0102-0033	SCREW-TAP TITE;BH M4 10 SWRCH18A ZPC3 BLK TB	
601	DO NOT ORDER	ASSY-MAIN	(S.N.A)
661	AC39-10019A	POWER CORD;KKP-419C,H03VVH2-F,VDE/KEMA-KE	SME LOCAL
	AC39-10200A	POWER-CORD;TSE BUYER ONLY	SME LOCAL
670	DO NOT ORDER	ASSY F/TIMER	(S.N.A)
CN62A	3809-001051	CABLE-FLAT;30V,80C,100MM,12P,1.25MM,UL289	
LD601A	AC61-22345A	HOLDER-LED;POM,-,-,-,-,-	SME LOCAL
PT601A	AC61-22344A	HOLDER-PHOTO;POM,-,-,-,-,-	SME LOCAL
PT602A	AC61-22344A	HOLDER-PHOTO;POM,-,-,-,-,-	SME LOCAL
S601A	AC61-22321A	HOLDER-TR;POM,-,-,-,-,-	SME LOCAL
S602A	AC61-22321A	HOLDER-TR;POM,-,-,-,-,-	SME LOCAL
SC301	AC98-12023J	ASSY-SH/CASE TOP;SV-A140F,IS-PAL ASSY S/C TOP	SME LOCAL



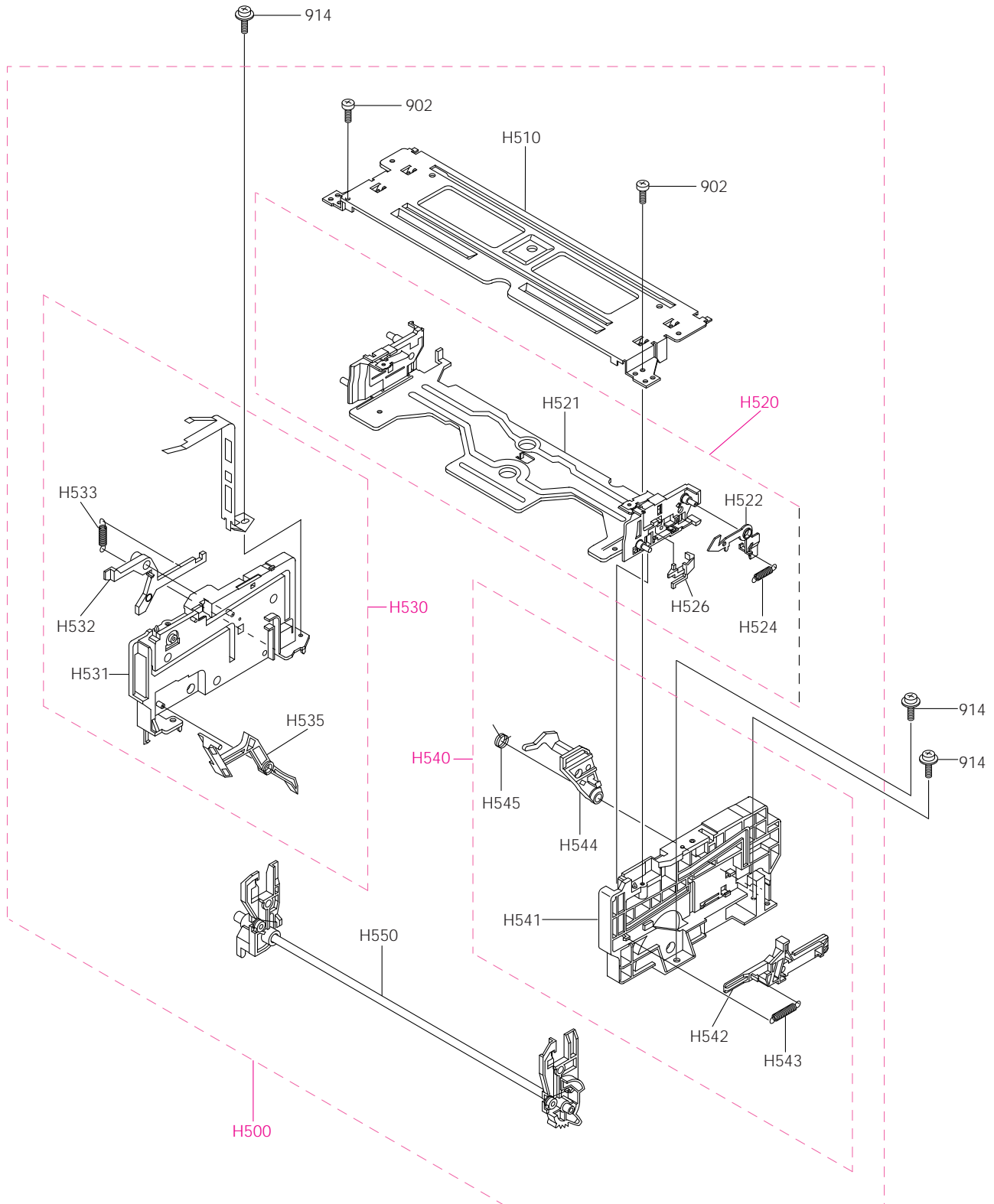
Loc. No	New Part No	Description and Specification	Remark
900	AC60-12091A	SCREW-MACHINE;FP,BH,-,M3,L4,SWRCH10A,YEL ROB	
901	AC60-10012A	SCREW-MACHINE;BH,+,M3,L8,-,FE,-,-,-	
904	AC60-12125A	SCREW-PH;-,-,-,M3X6 TAP TITE,-,-,-,-,-	
905	AC60-12096A	SCREW-MACHINE;FP,PH,-,M2.6,X10,SWRCH1-A,YEL	
912	67094-604-710	SCREW-DAMPER;M2.0X7.0 SWCM 10(MFZN2-C)	
919	AC60-10004A	SCREW-MACHINE;BH,+,M3,L8,ZPC,SWRCH18A,-,-,-	
920	AC60-10007A	SCREW-TAPPING;BH,+,M2.6,L12,-,SWRCH18A,-,-,-	
952	AC60-30018A	WASHER-PLAIN;PLAIN,M3.2,D6,T0.5,POLYSLIDER,	
956	AC60-30007A	WASHER-SLIT;PLAIN,ID2.5,OD7,T0.5,SPC1,-,-	
957	AC60-30008A	WASHER-SLIT;-,ID3.5,OD9,T0.5,SPC1,-,-	
T201	AC66-10023A	REEL-DISK L ASSY;POM,-,PACKAGE,X-5,-	
T202	AC66-10022A	REEL-DISK R (ASSY);POM,-,PACKAGE,X-5,-	
T203	AC66-30474A	BRAKE-SUB L;-,-,PBT,-,-,-,X-5/IS	
T204	AC66-30148A	BRAKE SUB R-ASSY;PBT,-,-,-,X5,-	
T207	AC66-30475A	BRAKE-MAIN L ASS'Y;-,-,POM+PELT,-,-,-,X-5/IS	
T208	AC66-30476A	BRAKE-MAIN R ASS'Y;-,-,POM+PELT,-,-,-,X-5/IS	
T209	AC61-60112A	SPRING- BRAKE MAIN;ES,SUS304WPB,PI0.35,ID2.8,OD4.	
T210	AC66-20073A	GEAR RELAY S-ASSY;-,-,PEBAX,M0.5,M48,SP,X5,-	
T211	AC66-20037A	GEAR- RELAY T;PEBAX7033,X-5,Z39,GEAR-SPUR,D1	
T212	AC66-30073A	ARM-TENSION ASSY;-,-,-,CKD,DX5-R,-	
T216	AC61-60119A	SPRING TENSION;ES,SWPB,PI0.35,ID2.1,L33(OD3.8),-	
T217	AC66-30470A	LEVER-REC S/W;-,-,PBT #3300,T4.0,L32,-,(X-5/IS	
T218	AC61-62017A	SPRING-SUB BRAKE L;ES,SUS304,PI0.23,D3.5,L14.8,-,	
T219	AC33-10003P	HEAD- MAGNET F/E;MH131S,-,-,-,L51.05XW7.4XH12.3	
T220	AC66-82050A	SLIDER-G/R ASSY(S);-,-,-,-,X-5	
T221	AC66-82059A	SLIDER-G/R ASSY T;-,-,-,-,X-7(VW-31H)	
T222	AC33-10002E	HEAD-CLEANER;-,-,-,-,X-5	(OPTIONAL)
T223	AC66-20065A	RACK-HOUSING;L74.29,POM M90-44,BLK,M1,3.14,	
T224	AC33-10215A	HEAD-ACE ALL ASSY;-,-,X-7,-,-,-	
T225	AC66-80005A	SLIDER-PINCH;POM(M90-44),T2,L54.35,NAT,DX-5	
T226	AC66-30014A	LEVER-REVIEW;ZYTEL(70G-43L),T3.8,-,PCD25.6,	
T227	AC66-30099A	ARM REVIEW CKD;-,-,-,-,DX5-RV,-	
T228	AC66-30013A	LEVER-PINCH CAM;PBT 6300T,-,L45,W9,X-5,-	
T229	AC66-30003A	LEVER PINCH COUP;PBT 3300,T7.5,L45.25,-,-,X-5	
T230	AC61-60116A	SPRING- PINCH COMP;TS,SWPB,PI1.0,D6,L38(OD8),-	
T231	AC67-32001A	PRISM-LED;PMMA,D5,IF-850,-,-,-	
T232	AC66-82049A	SLIDER-PUSH;LUPOX 2150,T2,-,NTR,-	
T233	AC61-62016A	SPRING-SLIDE PUSH;ES,SUS304WPB,PI0.55,D3.55,L24.	
T234	AC59-90001B	UNIT-PINCH ROLLER;X-5,-,YAMAUCHI	
T236	AC66-10010A	IDLER-ASSY;PACKAGE,-,X-5,-	
T237	AC61-40054A	STOPPER-TAPE;POM M90-44,OD7,T1.5,NTR,X-5,-	(OPTIONAL)
T238	AC61-60132A	SPRING ARM PINCH;CS,SUS304WPB,PI0.4,D7.1,OD7.9,	
T239	AC66-30132A	LEVER JOG-ASSY;-,-,-,-,X5,-	(DX8-R/RC ONLY)
T240	AC61-60505A	SPRING-REC S/W;-,-,ES,SUS304 WPB,PI0.29,PI3.5,-	
T300	AC96-10011L	ASSY-CYLINDER;CX5-S2P/DLC,-	2 HEAD ONLY
T302	AC31-12001M	MOTOR-CYLINDER;E20XL03,-,-	
T303	AC33-12004S	HEAD-BRUSH(ASSY);SECC20/20+CARBON,-,-,-,-	
T309	AC73-12001A	RETRINER-RUBBER(ASSY);SECC+SILICON,-,-,-	

### 6-3 Mechanical Parts (Bottom Side)



Loc. No	New Part No	Description and Specification	Remark
902	AC60-10051A	SCREW-TAPPING;BH,-,-,M3,L8,FZY	
918	AC60-10006A	SCREW-MACHINE;BH,+I90,M2.6,L7,ZPC,SWRCH18A,-	
922	67008-130-171	SCREW PH;+M3X3 FE FZY	
951	AC60-30025A	WASHER-SLIT;- ,ID2.5,OD5.0,T0.5,POLY SLIDE,	
952	AC60-30018A	WASHER-PLAIN;PLAIN,M3.2,D6,T0.5,POLYSLIDER,	
956	AC60-30007A	WASHER-SLIT;PLAIN,ID2.5,OD7,T0.5,SPC1,-,-	
958	AC60-30028A	WASHER-SLIT;- ,D2.5,D9.0,T0.5,NUMIRROR,-,-	
B251	AC66-80001A	SILDER- MAIN;PBT2002K,T12.4,L206.2,NAT,DX-5	
B252	AC66-20019A	GEAR-LOADING L ASSY;-,-,-,PACKAGE,-,X-5,-	
B253	AC66-20069A	GEAR LOADING R;-,-,-,-,X5,-	
B254	AC61-60115A	SPRING-BRAKE CAPSTAN;ES,SUS304WPB,PI0.4,D22,L16.1(	
B255	AC66-20004A	GEAR-MASTER;POM (M90-44),M 1,Z 60,SP,-,X-5	
B256	AC31-12003A	MOTOR-D.D CAPSTAN;F2QTB26,250MAX,-	
B257	AC66-62007A	BELT-CAPSTAN;5CM-70 FR,W2 T2 L88.6,-,-,-,-,	
B258	AC66-20066A	CLUTCH-ASSY;-,-,-,-,X5,-	
B259	AC66-32185A	LEVER-SLIDER PINCH;PBT,T4,NAT,-,-,-	
B260	AC66-20016A	GEAR- WORM WHEEL;POM SW-01,M0.55/M1,Z57/Z10,GEA	
B261	AC66-30011A	LEVER- SHIFT;PBT2002K,T10.9,L35,-,-,-	
B262	AC66-30012A	LEVER- IDELR CHANGE;PBT330,T3.3,L50,-,W6.0,-	
B263	AC61-60111A	SPRING-LEVER SHIFT;TS,SWPB,PI0.7,D5.5,L13.8(OD6.9	
B264	AC59-90001A	UNIT-LOADING ASSY;X-5,-,-	
B265	66823-0060-00	MOTOR-LOADING ASSY;POM+RF370C X-5	
B266	AC66-20039A	GEAR- WORM LO;PBT 2002K,-,-,-,D4.5,3,-	
B267	AC61-20224A	HOLDER SHAFT;POM M90-44,T1.25,NAT,PI5XH5.5,	
B268	AC66-30149A	BRAKE CAPSTAN-ASSY;POM,-,-,-,X5,-	

## 6-4 Housing Assembly



Loc. No	New Part No	Description and Specification	Remark
902	AC60-10051A	SCREW-TAPPING;BH,-,-,M3,L8,FZY	
914	AC60-10067A	SCREW-TAPTITE;PWH,+,-,M3,L8,MFZN2-C,SWCH1018	
H500	AC61-82014D	HOUSING-ASSY;-;X7FL26280A,230X130X60,-,X-7	
H510	AC61-10006A	CHASSIS- UPPER;SECC 20/20,-,T1.0,BLK,-,X5,-	
H520	AC61-20932B	HOLDER-CASSETTE ASSY;-;X5FL06080A,-,-,-,X-7(CODO)	
H521	AC61-20922B	HOLDER-CASSETTE;-;SECC T1.2,-,NAT,-,X-7(CODO)	
H522	AC66-30018A	LEVER-LOCK R;SECC 20/20,T1.2,L44,W32,-,-	
H524	AC61-60121A	SPRING-LEVER LOCK;ES,SUS304 WPB,PI0.2,D2.6,L9.9(	
H526	AC66-30019A	LEVER-KEY CASSETTE;LUCEL N109-LD,T2.5,L20,W15.2,-	
H530	62203-0105-00	CHASSIS-SIDE L(ASSY);ABS X5FL0505A X-5	
H531	AC61-10004A	CHASSIS- SIDE L;ABS HF-380,-,T10,BLK,-,X5,BLK	
H532	AC66-30004A	LEVER- LIGHT SHUTTER;LUCEL N109-LD,T2.5,L61.7,BLK,	
H533	AC61-60142A	SPRING- LIGHT;ES,SUS304WPB,PI0.2,L11.4(OD3.7	
H535	AC66-30017A	LEVER- DOOR;LUCELN109-LD,T5,L74.3,W21.1,-,	
H540	62203-0104-00	CHASSIS-SIDE R(ASSY);ABS X5FL0505A X-5	
H541	AC61-10003A	CHASSIS- SIDE R;ABS HF-380,-,T10,BLK,-,X5,BLK	
H542	AC66-80008A	SLIDER DAMPER;LUCEL N109-LD,T4,L87,-,-,-	
H543	AC61-60120A	SPRING-SLIDE DAMPER;ES,SUS 304WPB,PI0.4,D3.8,L25(O	
H544	AC66-30016A	LEVER- LID OPENER;LUCEL N109-LD,T5.0,L34.7,W16.6	
H545	AC61-60123A	SPRING-LID OPENER;TS,SWPB,PI0.55,D8.9,L15(OD10),	
H550	61403-0073-00	SHAFT-ARM(ASSY);SUM24L X5FL0405A X-5	

# MEMO

## 7. Electrical Parts List

Loc. No	New Part No	Description and Specification	Remark
<b>SMPS/POWER PARTS(230V)ONLY</b>			
C1P02	2401-001915	C-AL;1UF,20%,50V,GP,TP,3X5,1MM	
C1P03	2401-001954	C-AL;4.7UF,20%,50V,GP,BK,5X11MM,5	SME LOCAL
C1P04	2401-001915	C-AL;1UF,20%,50V,GP,TP,3X5,1MM	
C1S01	2305-001021	△ C-FILM,MPEF;100NF,20%,275V,TP,17.5X7X13.5,	
C1S02	2201-000808	C-CERAMIC,DISC;2.2NF,10%,400V,Y5P,TP,12X7.5,7	
C1S03	2201-000934	C-CERAMIC,DISC;3.3NF,20%,400V,Y5P,TP,18X8,10	
C1S05	2305-001021	C-FILM,MPEF;100NF,20%,275V,TP,17.5X7X13.5,	
C1S11	2401-001957	△ C-AL;47.0UF,20%,400V,GP,TP,18X25,7.	SME LOCAL
C1S12	2201-000934	C-CERAMIC,DISC;3.3NF,20%,400V,Y5P,TP,18X8,10	
C1S13	2201-000915	C-CERAMIC,DISC;100PF,10%,1KV,Y5P,TP,6X5,5	SME LOCAL
C1S15	2401-000905	C-AL;22UF,20%,16V,BP,-,6X11,2.5MM	
C1S16	2301-000361	C-FILM,PEF;1.2NF,10%,50V,TP,-,5MM	
C1S17	2301-000442	C-FILM,PEF;4.7NF,10%,50V,TP,5.5X7X3MM,5MM	
C1S30	2401-000385	C-AL;10UF,20%,100V,GP,-,6.3X11,2.5M	SME LOCAL
C1S32	2401-001998	C-AL;1000UF,20%,25V,GP,TP,10X20,5MM	
C1S33	2401-000306	C-AL;100UF,20%,25V,GP,TP,6.3X11MM,2	
C1S34	2401-000118	C-AL;1000UF,20%,10V,GP,TP,10X12.5,5	
C1S35	2401-000306	C-AL;100UF,20%,25V,GP,TP,6.3X11MM,2	
C1S36	2401-001583	C-AL;47UF,20%,50V,WT,TP,6.3X11,2.5M	
C1S37	2401-001374	C-AL;470UF,20%,16V,WT,TP,10X12.5,2.	SME LOCAL
C1S38	2301-000129	C-FILM,PEF;100NF,5%,50V,TP,10X9X4.3X5,5MM	SME LOCAL
C1S39	2301-000383	C-FILM,PEF;10NF,5%,50V,TP,6X7X3.2MM,5MM	
CN1S01	3711-000178	CONNECTOR-HEADER;1WALL,2P,1R,3.96MM,STRAIGHT,SN	SME LOCAL
D1P01	0402-000127	DIODE-RECTIFIER;1N4002,100V,1A,DO-41	SME LOCAL
D1P02	DO NOT ORDER	WIRE-NO SHEATH CU;SPCW,300V,52.4MM,1/0.5MM,-,-	(S.N.A)
D1P03	DO NOT ORDER	WIRE-NO SHEATH CU;SPCW,300V,52.4MM,1/0.5MM,-,-	(S.N.A)
D1P04	0401-000101	DIODE-SWITCHING;1N4148,100V,200MA,500MW,4NS,DO	SME LOCAL
D1P05	0401-000101	DIODE-SWITCHING;1N4148,100V,200MA,500MW,4NS,DO	SME LOCAL
D1P06	0402-000127	DIODE-RECTIFIER;1N4002,100V,1A,DO-41	SME LOCAL
D1S01	0402-001009	DIODE-RECTIFIER;1SR139,600V,1A,MSR	
D1S02	0402-001009	DIODE-RECTIFIER;1SR139,600V,1A,MSR	
D1S03	0402-001009	DIODE-RECTIFIER;1SR139,600V,1A,MSR	
D1S04	0402-001009	DIODE-RECTIFIER;1SR139,600V,1A,MSR	
D1S11	0402-000378	DIODE-RECTIFIER;EG01C,1000V,500MA,DO-41	SME LOCAL
D1S12	0401-000101	DIODE-SWITCHING;1N4148,100V,200MA,500MW,4NS,DO	SME LOCAL
D1S13	0402-001013	DIODE-RECTIFIER;1SR153-400,400V,800MA,DO-41	
D1S30	0402-001013	DIODE-RECTIFIER;1SR153-400,400V,800MA,DO-41	
D1S32	0402-001069	DIODE-RECTIFIER;RL10Z,200V,2A,DO,TP	
D1S33	0402-001069	DIODE-RECTIFIER;RL10Z,200V,2A,DO,TP	
D1S34	0402-001013	DIODE-RECTIFIER;1SR153-400,400V,800MA,DO-41	
D1S35	0402-001013	DIODE-RECTIFIER;1SR153-400,400V,800MA,DO-41	
D620	0402-000127	DIODE-RECTIFIER;1N4002,100V,1A,DO-41	SME LOCAL
F1S01	A3065-0157	△ FUSE;FST 250V 1.6A 20MM SEMKO S505 C	
IC1S13	B4161-0030	PHOTO-COUPLER;PS2561-1 ST DIP	
IC1S31	AC14-12006D	IC;KA431Z,TO-92,TAPING	SME LOCAL
L1S02	A1151-0042	△ COIL-LINE FILTER;BSF-2120Z 25MH 3.2OHM	
L1S03	AC27-92001M	INDUCTOR;70UH-M RT BFS3565R2F,-,-,-,-	SME LOCAL
L1S12	AC27-92001M	INDUCTOR;70UH-M RT BFS3565R2F,-,-,-,-	SME LOCAL
L1S30	AC27-12001N	COIL-CHOKE;10UH-15%,RA,K-30,Q80,150KHZ,-,	SME LOCAL
L1S31	AC27-12001N	COIL-CHOKE;10UH-15%,RA,K-30,Q80,150KHZ,-,	SME LOCAL

Loc. No	New Part No	Description and Specification	Remark
L1S32	AC27-92001M	INDUCTOR;70UH-M RT BFS3565R2F,-,-,-,-	SME LOCAL
L1S33	DO NOT ORDER	WIRE-NO SHEATH CU:SPCW,300V,52.4MM,1/0.5MM,-,-	(S.N.A)
PT1S11	AC26-20120C	TRANS-SWITCHING;- ,100/230V,UL/CSA,EE28*21*11,1	
Q1P01	0502-000213	TR-POWER;2SD1944,NPN,30W,TO-220FP,-,400	
Q1P02	0501-000616	TR-SMALL SIGNAL;KSC2328A-Y,NPN,1W,TO-92L,TP,16	SME LOCAL
Q1P03	0504-000142	TR-DIGITAL;KSR2001,PNP,300MW,4.7K-4.7K,TO	SME LOCAL
Q1P04	0504-000118	TR-DIGITAL;KSR1003,NPN,300MW,22K-22K,TO-9	SME LOCAL
Q1P05	0501-000616	TR-SMALL SIGNAL;KSC2328A-Y,NPN,1W,TO-92L,TP,16	SME LOCAL
Q1P06	0501-000610	TR-SMALL SIGNAL;KSA928A-Y,PNP,1W,TO-92L,TP,160	SME LOCAL
Q1S11	0502-001050	TR-POWER;2SC4517A,NPN,30W,TO-220,ST,10-	
Q1S12	0501-000442	TR-SMALL SIGNAL;KTC3203-Y,NPN,400MW,TO-92,TP,1	
R1P01	2004-000571	R-METAL;220OHM,5%,1/4W,AA,TP,2.4X6.4MM	SME LOCAL
R1P02	2004-001096	R-METAL;560OHM,5%,1/4W,AA,TP,2.4X6.4MM	SME LOCAL
R1P03	2004-001096	R-METAL;560OHM,5%,1/4W,AA,TP,2.4X6.4MM	SME LOCAL
R1P04	2004-001096	R-METAL;560OHM,5%,1/4W,AA,TP,2.4X6.4MM	SME LOCAL
R1P05	2004-000571	R-METAL;220OHM,5%,1/4W,AA,TP,2.4X6.4MM	SME LOCAL
R1P06	2001-000405	R-CARBON;180OHM,5%,1/8W,AA,TP,1.8X3.2MM	SME LOCAL
R1P07	2001-000362	R-CARBON;150OHM,5%,1/8W,AA,TP,1.8X3.2MM	SME LOCAL
R1P08	2001-000449	R-CARBON;2.2KOHM,5%,1/8W,AA,TP,1.8X3.2M	SME LOCAL
R1P09	2001-000042	R-CARBON;1KOHM,5%,1/4W,AA,TP,2.4X6.4MM	
R1S11	2006-000262	R-CEMENT;2.7OHM,10%,2W,CB,ST,7.5X11X20.	SME LOCAL
R1S12	2001-000305	R-CARBON;110KOHM,5%,1/8W,AA,TP,1.8X3.2M	
R1S13	2001-000305	R-CARBON;110KOHM,5%,1/8W,AA,TP,1.8X3.2M	
R1S14	2001-000305	R-CARBON;110KOHM,5%,1/8W,AA,TP,1.8X3.2M	
R1S15	2001-000305	R-CARBON;110KOHM,5%,1/8W,AA,TP,1.8X3.2M	
R1S17	2006-000273	R-CEMENT;27KOHM,5%,2W,CA,BK,6.4X27X6.4MM	
R1S18	2003-000264	R-METAL OXIDE;300OHM,5%,1W,AD,TP,4.3X12MM	
R1S19	2001-000003	R-CARBON;330OHM,5%,1/8W,AA,TP,1.8X3.2MM	SME LOCAL
R1S20	2001-000003	R-CARBON;330OHM,5%,1/8W,AA,TP,1.8X3.2MM	SME LOCAL
R1S21	DO NOT ORDER	WIRE-NO SHEATH CU:SPCW,300V,52.4MM,1/0.5MM,-,-	(S.N.A)
R1S22	DO NOT ORDER	WIRE-NO SHEATH CU:SPCW,300V,52.4MM,1/0.5MM,-,-	(S.N.A)
R1S30	2001-000515	R-CARBON;220OHM,5%,1/8W,AA,TP,1.8X3.2MM	SME LOCAL
R1S31	2001-000221	R-CARBON;1.2KOHM,5%,1/8W,AA,TP,1.8X3.2M	SME LOCAL
R1S32	2001-000429	R-CARBON;1KOHM,5%,1/8W,AA,TP,1.8X3.2MM	SME LOCAL
R1S33	2004-000869	R-METAL;3KOHM,1%,1/8W,AA,TP,1.8X3.2MM	
R1S34	2004-000459	R-METAL;2.2KOHM,1%,1/8W,AA,TP,1.8X3.2M	
R1S35	DO NOT ORDER	WIRE-NO SHEATH CU:SPCW,300V,52.4MM,1/0.5MM,-,-	(S.N.A)
R1S40	2003-000119	R-METAL OXIDE;0.68OHM,5%,2W,AE,TP,6X16MM	
VA1S01	1405-001026	VARISTOR;470V,600A,9X7MM,TP	
VA1S02	1405-001026	VARISTOR;470V,600A,9X7MM,TP	
ZD1P02	0403-000539	DIODE-ZENER;MTZ18C,18V,17.42-18.33V,500MW,	
ZD1P03	0403-000563	DIODE-ZENER;MTZ9.1B,9.1V,8.57-9.01V,500MW,	
ZD1P04	0403-000555	DIODE-ZENER;MTZ30D,30V,29.02-30.51V,500MW,	
ZD1P05	0403-000295	DIODE-ZENER;MTZ5.1B,5.1V,4.94-5.20V,500MW,	
ZD1S30	0403-000571	DIODE-ZENER;UZP43B,43V,40-46V,1W,DO-41,TP	

**SMPS/POWER PARTS(FREE VOLT)ONLY**

C1P02	2401-001915	C-AL;1UF,20%,50V,GP,TP,3X5,1MM	
C1P03	2401-001954	C-AL;4.7UF,20%,50V,GP,BK,5X11MM,5	SME LOCAL
C1P04	2401-001915	C-AL;1UF,20%,50V,GP,TP,3X5,1MM	
C1S01	2305-001021	C-FILM,MPEF;100NF,20%,275V,TP,17.5X7X13.5,	
C1S02	2201-000808	C-CERAMIC,DISC;2.2NF,10%,400V,Y5P,TP,12X7.5,7	
C1S03	2201-000934	C-CERAMIC,DISC;3.3NF,20%,400V,Y5P,TP,18X8,10	
C1S05	2305-001021	C-FILM,MPEF;100NF,20%,275V,TP,17.5X7X13.5,	
C1S11	2401-001682	C-AL;82UF,20%,400V,GP,BK,22X25,10MM	SME LOCAL

Loc. No	New Part No	Description and Specification	Remark
C1S12	2301-000140	C-FILM,PEF;10NF,10%,630V,BK,16.5X9.5X5.7X	SME LOCAL
C1S13	2201-000915	C-CERAMIC,DISC;100PF,10%,1KV,Y5P,TP,6X5,5	SME LOCAL
C1S18	2301-000224	C-FILM,PEF;22NF,5%,50V,TP,7.4X3.9X13MM,5M	
C1S19	2401-001912	C-AL;1UF,20%,50V,GP,BK,5X11MM,2MM	SME LOCAL
C1S20	2301-000224	C-FILM,PEF;22NF,5%,50V,TP,7.4X3.9X13MM,5M	
C1S21	2401-000970	C-AL;22UF,20%,50V,WT,TP,5X11,2MM	
C1S30	2401-000385	C-AL;10UF,20%,100V,GP,-,6.3X11,2.5M	SME LOCAL
C1S32	2401-001998	C-AL;1000UF,20%,25V,GP,TP,10X20,5MM	
C1S33	2401-000306	C-AL;100UF,20%,25V,GP,TP,6.3X11MM,2	
C1S34	2401-000118	C-AL;1000UF,20%,10V,GP,TP,10X12.5,5	
C1S35	2401-000306	C-AL;100UF,20%,25V,GP,TP,6.3X11MM,2	
C1S36	2401-001583	C-AL;47UF,20%,50V,WT,TP,6.3X11,2.5M	
C1S37	2401-001374	C-AL;470UF,20%,16V,WT,TP,10X12.5,2.	SME LOCAL
C1S38	2301-000129	C-FILM,PEF;100NF,5%,50V,TP,10X9X4.3X5,5MM	SME LOCAL
C1S39	2301-000383	C-FILM,PEF;10NF,5%,50V,TP,6X7X3.2MM,5MM	
CN1S01	3711-000178	CONNECTOR-HEADER;1WALL,2P,1R,3.96MM,STRAIGHT,SN	SME LOCAL
D1P01	0402-000127	DIODE-RECTIFIER;1N4002,100V,1A,DO-41	SME LOCAL
D1P02	DO NOT ORDER	WIRE-NO SHEATH CU;SPCW,300V,52.4MM,1/0.5MM,-,-	(S.N.A)
D1P03	DO NOT ORDER	WIRE-NO SHEATH CU;SPCW,300V,52.4MM,1/0.5MM,-,-	(S.N.A)
D1P04	0401-000101	DIODE-SWITCHING;1N4148,100V,200MA,500MW,4NS,DO	SME LOCAL
D1P05	0401-000101	DIODE-SWITCHING;1N4148,100V,200MA,500MW,4NS,DO	SME LOCAL
D1P06	0402-000127	DIODE-RECTIFIER;1N4002,100V,1A,DO-41	SME LOCAL
D1S01	0402-001009	DIODE-RECTIFIER;1SR139,600V,1A,MSR	
D1S02	0402-001009	DIODE-RECTIFIER;1SR139,600V,1A,MSR	
D1S03	0402-001009	DIODE-RECTIFIER;1SR139,600V,1A,MSR	
D1S04	0402-001009	DIODE-RECTIFIER;1SR139,600V,1A,MSR	
D1S11	0402-000378	DIODE-RECTIFIER;EG01C,1000V,500MA,DO-41	SME LOCAL
D1S13	0402-001013	DIODE-RECTIFIER;1SR153-400,400V,800MA,DO-41	
D1S30	0402-001013	DIODE-RECTIFIER;1SR153-400,400V,800MA,DO-41	
D1S32	0402-001069	DIODE-RECTIFIER;RL10Z,200V,2A,DO,TP	
D1S33	0402-001069	DIODE-RECTIFIER;RL10Z,200V,2A,DO,TP	
D1S34	0402-001013	DIODE-RECTIFIER;1SR153-400,400V,800MA,DO-41	
D1S35	0402-001013	DIODE-RECTIFIER;1SR153-400,400V,800MA,DO-41	
D620	0402-000127	DIODE-RECTIFIER;1N4002,100V,1A,DO-41	SME LOCAL
F1S01	A3065-0157	FUSE;FST 250V 1.6A 20MM SEMKO S505 C	
IC1S11	1203-001049	IC-PWM CONTROLLER;1L0380,TO-220F,4P,10MIL,PLASTI	
IC1S13	B4161-0030	PHOTO-COUPLER;PS2561-1 ST DIP	
IC1S31	AC14-12006D	IC;KA431Z,TO-92,TAPING	SME LOCAL
L1S02	A1151-0042	COIL-LINE FILTER;BSF-2120Z 25MH 3.2OHM	
L1S03	AC27-92001M	INDUCTOR;70UH-M RT BFS3565R2F,-,-,-,-	SME LOCAL
L1S12	AC27-92001M	INDUCTOR;70UH-M RT BFS3565R2F,-,-,-,-	SME LOCAL
L1S30	AC27-12001N	COIL-CHOKE;10UH-15%,RA,K-30,Q80,150KHZ,-,	SME LOCAL
L1S31	AC27-12001N	COIL-CHOKE;10UH-15%,RA,K-30,Q80,150KHZ,-,	SME LOCAL
L1S32	AC27-92001M	INDUCTOR;70UH-M RT BFS3565R2F,-,-,-,-	SME LOCAL
L1S33	AC27-92001M	INDUCTOR;70UH-M RT BFS3565R2F,-,-,-,-	SME LOCAL
PT1S11	AC26-20120A	TRANS-SWITCHING;- ,220V,UL/CSA,- ,1000UH,- ,SV-D1	
Q1P01	0502-000213	TR-POWER;2SD1944,NPN,30W,TO-220FP,- ,400	
Q1P02	0501-000616	TR-SMALL SIGNAL;KSC2328A-Y,NPN,1W,TO-92L,TP,16	SME LOCAL
Q1P03	0504-000142	TR-DIGITAL;KSR2001,PNP,300MW,4.7K-4.7K,TO	SME LOCAL
Q1P04	0504-000118	TR-DIGITAL;KSR1003,NPN,300MW,22K-22K,TO-9	SME LOCAL
Q1P05	0501-000616	TR-SMALL SIGNAL;KSC2328A-Y,NPN,1W,TO-92L,TP,16	SME LOCAL
Q1P06	0501-000610	TR-SMALL SIGNAL;KSA928A-Y,PNP,1W,TO-92L,TP,160	SME LOCAL
R1P01	2004-000571	R-METAL;220OHM,5%,1/4W,AA,TP,2.4X6.4MM	SME LOCAL
R1P02	2004-001096	R-METAL;560OHM,5%,1/4W,AA,TP,2.4X6.4MM	SME LOCAL
R1P03	2004-001096	R-METAL;560OHM,5%,1/4W,AA,TP,2.4X6.4MM	SME LOCAL

Loc. No	New Part No	Description and Specification	Remark
R1P04	2004-001096	R-METAL;560OHM,5%,1/4W,AA,TP,2.4X6.4MM	SME LOCAL
R1P05	2004-000571	R-METAL;220OHM,5%,1/4W,AA,TP,2.4X6.4MM	SME LOCAL
R1P06	2001-000405	R-CARBON;180OHM,5%,1/8W,AA,TP,1.8X3.2MM	SME LOCAL
R1P07	2001-000362	R-CARBON;150OHM,5%,1/8W,AA,TP,1.8X3.2MM	SME LOCAL
R1P08	2001-000449	R-CARBON;2.2KOHM,5%,1/8W,AA,TP,1.8X3.2M	SME LOCAL
R1P09	2001-000042	R-CARBON;1KOHM,5%,1/4W,AA,TP,2.4X6.4MM	
R1S11	2006-000262	R-CEMENT;2.7OHM,10%,2W,CB,ST,7.5X11X20.	SME LOCAL
R1S12	2001-000076	R-CARBON;47KOHM,5%,1/4W,AA,TP,2.4X6.4MM	
R1S13	2001-000076	R-CARBON;47KOHM,5%,1/4W,AA,TP,2.4X6.4MM	
R1S14	2001-000076	R-CARBON;47KOHM,5%,1/4W,AA,TP,2.4X6.4MM	
R1S15	2001-000076	R-CARBON;47KOHM,5%,1/4W,AA,TP,2.4X6.4MM	
R1S17	2003-000273	R-METAL OXIDE;33KOHM,5%,2W,AA,TP,6X16MM	SME LOCAL
R1S19	2001-000302	R-CARBON;10OHM,5%,1/8W,AA,TP,1.8X3.2MM	
R1S21	2003-000273	R-METAL OXIDE;33KOHM,5%,2W,AA,TP,6X16MM	SME LOCAL
R1S22	2007-000148	R-CHIP;10KOHM,5%,1/16W,DA,TP,1005	
R1S30	2001-000515	R-CARBON;220OHM,5%,1/8W,AA,TP,1.8X3.2MM	SME LOCAL
R1S31	2001-000221	R-CARBON;1.2KOHM,5%,1/8W,AA,TP,1.8X3.2M	SME LOCAL
R1S32	2001-000429	R-CARBON;1KOHM,5%,1/8W,AA,TP,1.8X3.2MM	SME LOCAL
R1S33	2004-000869	R-METAL;3KOHM,1%,1/8W,AA,TP,1.8X3.2MM	
R1S34	2004-000459	R-METAL;2.2KOHM,1%,1/8W,AA,TP,1.8X3.2M	
R1S35	2001-000440	R-CARBON;1OHM,5%,1/8W,AA,TP,1.8X3.2MM	
R1S40	DO NOT ORDER	WIRE-NO SHEATH CU:SPCW,300V,52.4MM,1/0.5MM,-,-	(S.N.A)
VA1S01	1405-001026	VARISTOR;470V,600A,9X7MM,TP	
VA1S02	1405-001026	VARISTOR;470V,600A,9X7MM,TP	
W008	DO NOT ORDER	WIRE-NO SHEATH CU:SPCW,300V,52.4MM,1/0.5MM,-,-	(S.N.A)
W010	DO NOT ORDER	WIRE-NO SHEATH CU:SPCW,300V,52.4MM,1/0.5MM,-,-	(S.N.A)
W335	DO NOT ORDER	WIRE-NO SHEATH CU:SPCW,300V,52.4MM,1/0.5MM,-,-	(S.N.A)
ZD1P02	0403-000539	DIODE-ZENER;MTZ18C,18V,17.42-18.33V,500MW,	
ZD1P03	0403-000563	DIODE-ZENER;MTZ9.1B,9.1V,8.57-9.01V,500MW,	
ZD1P04	0403-000555	DIODE-ZENER;MTZ30D,30V,29.02-30.51V,500MW,	
ZD1P05	0403-000295	DIODE-ZENER;MTZ5.1B,5.1V,4.94-5.20V,500MW,	
ZD1S11	0403-000294	DIODE-ZENER;MTZ4.7B,4.7V,4.55-4.80V,500MW,	
ZD1S12	0403-000294	DIODE-ZENER;MTZ4.7B,4.7V,4.55-4.80V,500MW,	

### SYSTEM CONTROL/SERVO PARTS

C310	2301-000392	C-FILM,PEF;15NF,5%,50V,TP,6.5X8.5X3.2MM,5	
C602	2203-002188	C-CERAMIC,CHIP;10NF,+80-20%,16V,Y5V,TP,2012,-	SME LOCAL
C603	2203-001702	C-CERAMIC,CHIP;2.2NF,5%,50V,X7R,TP,2012,-	SME LOCAL
C604	2203-001696	C-CERAMIC,CHIP MELF;82PF,10%,50V,Y5P,TP,2012,2MM	SME LOCAL
C605	2401-000912	C-AL;22UF,20%,16V,GP,-,5X5,5	SME LOCAL
C606	2203-002188	C-CERAMIC,CHIP;10NF,+80-20%,16V,Y5V,TP,2012,-	SME LOCAL
C607	2203-001696	C-CERAMIC,CHIP MELF;82PF,10%,50V,Y5P,TP,2012,2MM	SME LOCAL
C608	2203-001608	C-CERAMIC,CHIP;22NF,+80-20%,50V,Y5V,TP,2012,-	
C609	2203-001592	C-CERAMIC,CHIP;1NF,5%,50V,X7R,TP,2012,2MM	
C610	2203-001577	C-CERAMIC,CHIP MELF;150PF,10%,50V,Y5E,TP,2012,2M	SME LOCAL
C6107	2203-001517	C-CERAMIC,CHIP;15PF,5%,50V,NPO,TP,2012,-	SME LOCAL
C6108	2401-000753	C-AL;220NF,20%,50V,GP,TP,3X5,5	
C611	2401-002196	C-AL;4.7UF,0.2,25V,GP,4X5,5MM,TP	SME LOCAL
C6114	2201-000799	C-CERAMIC,DISC;12PF,5%,50V,CH,TP,5X3,5	
C6119	2401-001978	C-AL;47UF,20%,25V,GP,TP,6.3X5,5	
C612	2401-001978	C-AL;47UF,20%,25V,GP,TP,6.3X5,5	
C6120	2203-002188	C-CERAMIC,CHIP;10NF,+80-20%,16V,Y5V,TP,2012,-	SME LOCAL
C6126	2401-000419	C-AL;10UF,20%,16V,GP,-,4X7,5	SME LOCAL
C613	2203-000477	C-CERAMIC,CHIP;1UF,+80-20%,16V,Y5V,TP,2012,-	
C614	2401-001325	C-AL;470NF,20%,50V,GP,TP,3X5,5	

Loc. No	New Part No	Description and Specification	Remark
C615	2203-000239	C-CERAMIC,CHIP;100PF,5%,50V,NPO,TP,2012,-	SME LOCAL
C616	2203-002188	C-CERAMIC,CHIP;10NF,+80-20%,16V,Y5V,TP,2012,-	SME LOCAL
C617	2202-000216	C-CERAMIC,MLC-AXIAL;27PF,5%,50V,SL,TP,3.5X19,-	
C618	2202-000216	C-CERAMIC,MLC-AXIAL;27PF,5%,50V,SL,TP,3.5X19,-	
C619	2203-001612	C-CERAMIC,CHIP MELF;22PF,5%,50V,SL,TP,2012,2MM	
C620	2203-001612	C-CERAMIC,CHIP MELF;22PF,5%,50V,SL,TP,2012,2MM	
C621	2203-001517	C-CERAMIC,CHIP;15PF,5%,50V,NPO,TP,2012,-	SME LOCAL
C622	2203-001517	C-CERAMIC,CHIP;15PF,5%,50V,NPO,TP,2012,-	SME LOCAL
C623	2203-001517	C-CERAMIC,CHIP;15PF,5%,50V,NPO,TP,2012,-	SME LOCAL
C624	2203-001517	C-CERAMIC,CHIP;15PF,5%,50V,NPO,TP,2012,-	SME LOCAL
C625	2203-000533	C-CERAMIC,CHIP;2.7NF,10%,50V,X7R,TP,2012,-	SME LOCAL
C626	2401-001978	C-AL;47UF,20%,25V,GP,TP,6.3X5,5	
C627	2203-002188	C-CERAMIC,CHIP;10NF,+80-20%,16V,Y5V,TP,2012,-	SME LOCAL
C628	2401-001978	C-AL;47UF,20%,25V,GP,TP,6.3X5,5	
C629	2203-001557	C-CERAMIC,CHIP;100NF,+80-20%,25V,Y5V,TP,2012,	SME LOCAL
C630	2203-001557	C-CERAMIC,CHIP;100NF,+80-20%,25V,Y5V,TP,2012,	SME LOCAL
C631	2203-001388	C-CERAMIC,CHIP;10NF,5%,50V,X7R,TP,2012,2.0MM	
C632	2203-002188	C-CERAMIC,CHIP;10NF,+80-20%,16V,Y5V,TP,2012,-	SME LOCAL
C633	2401-000199	C-AL;1000UF,20%,6.3V,GP,TP,10X12.5,	
C634	2401-001904	C-AL;10UF,20%,16V,-,TP,4X7MM,5	SME LOCAL
C635	2401-001511	C-AL;47UF,20%,16V,GP,-,6X7,5	SME LOCAL
C636	2203-001557	C-CERAMIC,CHIP;100NF,+80-20%,25V,Y5V,TP,2012,	SME LOCAL
C637	2203-001557	C-CERAMIC,CHIP;100NF,+80-20%,25V,Y5V,TP,2012,	SME LOCAL
C639	2203-001577	C-CERAMIC,CHIP MELF;150PF,10%,50V,Y5E,TP,2012,2M	SME LOCAL
C640	2203-001608	C-CERAMIC,CHIP;22NF,+80-20%,50V,Y5V,TP,2012,-	
C641	2203-001608	C-CERAMIC,CHIP;22NF,+80-20%,50V,Y5V,TP,2012,-	
C642	2203-001591	C-CERAMIC,CHIP MELF;1NF,20%,25V,Y5S,TP,2012,2MM	SME LOCAL
C643	2401-001915	C-AL;1UF,20%,50V,GP,TP,3X5,1MM	
C644	A1104-0611	C-ELEC;CE 04 -40/85 16V T 100-M SRE 3.5X5 10UF	SME LOCAL
C645	A1104-0611	C-ELEC;CE 04 -40/85 16V T 100-M SRE 3.5X5 10UF	SME LOCAL
C646	2203-001557	C-CERAMIC,CHIP;100NF,+80-20%,25V,Y5V,TP,2012,	SME LOCAL
C647	2203-001557	C-CERAMIC,CHIP;100NF,+80-20%,25V,Y5V,TP,2012,	SME LOCAL
C648	2203-001557	C-CERAMIC,CHIP;100NF,+80-20%,25V,Y5V,TP,2012,	SME LOCAL
C649	2401-000912	C-AL;22UF,20%,16V,GP,-,5X5,5	SME LOCAL
C650	2401-001978	C-AL;47UF,20%,25V,GP,TP,6.3X5,5	
C651	2202-000797	C-CERAMIC,MLC-AXIAL;10NF,30%,16V,Y5P,TP,3.5X19,-	SME LOCAL
C652	2202-000807	C-CERAMIC,MLC-AXIAL;22NF,+80-20%,25V,Y5V,TP,3.5X	
C653	2401-001511	C-AL;47UF,20%,16V,GP,-,6X7,5	SME LOCAL
C654	2202-000780	C-CERAMIC,MLC-AXIAL;100NF,+80-20%,50V,Y5V,TP,3.5	SME LOCAL
C655	2203-002188	C-CERAMIC,CHIP;10NF,+80-20%,16V,Y5V,TP,2012,-	SME LOCAL
C656	2401-001978	C-AL;47UF,20%,25V,GP,TP,6.3X5,5	
C657	2401-001978	C-AL;47UF,20%,25V,GP,TP,6.3X5,5	
C658	2203-002188	C-CERAMIC,CHIP;10NF,+80-20%,16V,Y5V,TP,2012,-	SME LOCAL
C659	2202-000780	C-CERAMIC,MLC-AXIAL;100NF,+80-20%,50V,Y5V,TP,3.5	SME LOCAL
C665	2203-001557	C-CERAMIC,CHIP;100NF,+80-20%,25V,Y5V,TP,2012,	SME LOCAL
C668	2202-000797	C-CERAMIC,MLC-AXIAL;10NF,30%,16V,Y5P,TP,3.5X19,-	SME LOCAL
C672	2203-001608	C-CERAMIC,CHIP;22NF,+80-20%,50V,Y5V,TP,2012,-	
C673	2202-000797	C-CERAMIC,MLC-AXIAL;10NF,30%,16V,Y5P,TP,3.5X19,-	SME LOCAL
C674	2203-001557	C-CERAMIC,CHIP;100NF,+80-20%,25V,Y5V,TP,2012,	SME LOCAL
C675	2202-000780	C-CERAMIC,MLC-AXIAL;100NF,+80-20%,50V,Y5V,TP,3.5	SME LOCAL
C676	2203-002188	C-CERAMIC,CHIP;10NF,+80-20%,16V,Y5V,TP,2012,-	SME LOCAL
C601	2202-000797	C-CERAMIC,MLC-AXIAL;10NF,30%,16V,Y5P,TP,3.5X19,-	SME LOCAL
CN601	3708-001048	CONNECTOR-FPC/FC/PIC;12P,1.25MM,STRAIGHT,SN	
CN602	3711-002445	CONNECTOR-HEADER;BOX,2P,2R,1.5MM,STRAIGHT,SN	SME LOCAL
CN603	3711-003105	CONNECTOR-HEADER;BOX,10P,2R,2.0MM,STRAIGHT,SN	SME LOCAL

Loc. No	New Part No	Description and Specification	Reamrk
CN604	3711-002444	CONNECTOR-HEADER;BOX,6P,2R,2.0MM,STRAIGHT,SN	SME LOCAL
D307	0401-000101	DIODE-SWITCHING;1N4148,100V,200MA,500MW,4NS,DO	SME LOCAL
D602	0401-000101	DIODE-SWITCHING;1N4148,100V,200MA,500MW,4NS,DO	SME LOCAL
D603	DO NOT ORDER	WIRE-NO SHEATH CU;SPCW,300V,52.4MM,1/0.5MM,-,-	(S.N.A)
D604	0402-000127	DIODE-RECTIFIER;1N4002,100V,1A,DO-41	SME LOCAL
D605	0401-000101	DIODE-SWITCHING;1N4148,100V,200MA,500MW,4NS,DO	SME LOCAL
D606	0401-000101	DIODE-SWITCHING;1N4148,100V,200MA,500MW,4NS,DO	SME LOCAL
D607	0402-000127	DIODE-RECTIFIER;1N4002,100V,1A,DO-41	SME LOCAL
D609	0401-000101	DIODE-SWITCHING;1N4148,100V,200MA,500MW,4NS,DO	SME LOCAL
D6102	0401-000101	DIODE-SWITCHING;1N4148,100V,200MA,500MW,4NS,DO	SME LOCAL
D6104	0401-000101	DIODE-SWITCHING;1N4148,100V,200MA,500MW,4NS,DO	SME LOCAL
D6105	0401-000101	DIODE-SWITCHING;1N4148,100V,200MA,500MW,4NS,DO	SME LOCAL
D611	DO NOT ORDER	WIRE-NO SHEATH CU;SPCW,300V,52.4MM,1/0.5MM,-,-	(S.N.A)
D619	DO NOT ORDER	WIRE-NO SHEATH CU;SPCW,300V,52.4MM,1/0.5MM,-,-	(S.N.A)
D650	0402-000127	DIODE-RECTIFIER;1N4002,100V,1A,DO-41	SME LOCAL
IC601	AC09-10454V	IC-MCU;HD6433976RA32F,A35G,100P,QFP,S	
IC602	AC14-12003K	IC;KA8301(N.M),-,-	SME LOCAL
IC603	AC14-12001K	IC;KA324,-,-	
IC604	AC14-12006C	IC;KA7533,DIP,-	SME LOCAL
IC605	1103-001020	IC-EEPROM;24LC04,4KX8BIT,DIP,8P,300MIL,-	
L601	AC27-92001B	COIL-PEAKING AXIAL;BAL04ST101K,-,-,-,-	SME LOCAL
L602	AC27-92001B	COIL-PEAKING AXIAL;BAL04ST101K,-,-,-,-	SME LOCAL
L603	AC27-92001B	COIL-PEAKING AXIAL;BAL04ST101K,-,-,-,-	SME LOCAL
L604	2701-000131	INDUCTOR-AXIAL;15UH,5%,2.4X3.4MM	SME LOCAL
L6101	AC27-92001B	COIL-PEAKING AXIAL;BAL04ST101K,-,-,-,-	SME LOCAL
L6103	2701-000117	INDUCTOR-AXIAL;10UH,5%,2.4X3.4MM	SME LOCAL
LD601	0601-000495	LED-IR;ROUND,3MM,150MW,6V,950NM,BK	SME LOCAL
PT601	0604-000188	PHOTO-INTERRUPTER;TR,-,-,DIP-4,TR	SME LOCAL
PT602	0604-000188	PHOTO-INTERRUPTER;TR,-,-,DIP-4,TR	SME LOCAL
Q601	AC14-12001G	IC;KA78L05,T,-	
Q604	0501-000398	TR-SMALL SIGNAL;KSC945,NPN,250MW,TO-92,TP,120-	SME LOCAL
Q605	0501-000398	TR-SMALL SIGNAL;KSC945,NPN,250MW,TO-92,TP,120-	SME LOCAL
Q606	0504-000203	TR-DIGITAL;KSR1004,NPN,300MW,47K-47K,TO-9	SME LOCAL
Q607	0501-000231	TR-SMALL SIGNAL;2SD1468SQ,NPN,300MW,TO-92S,TP,	SME LOCAL
Q608	0504-000203	TR-DIGITAL;KSR1004,NPN,300MW,47K-47K,TO-9	SME LOCAL
Q609	0501-000303	TR-SMALL SIGNAL;KSA733-Y,PNP,250MW,TO-92,-,120	SME LOCAL
Q6102	0501-000398	TR-SMALL SIGNAL;KSC945,NPN,250MW,TO-92,TP,120-	SME LOCAL
Q6106	0501-000398	TR-SMALL SIGNAL;KSC945,NPN,250MW,TO-92,TP,120-	SME LOCAL
Q6108	0501-000303	TR-SMALL SIGNAL;KSA733-Y,PNP,250MW,TO-92,-,120	SME LOCAL
R384	2007-001503	R-CHIP,MELF;47KOHM,5%,1/8W,DB,BK,2012	SME LOCAL
R385	2007-001633	R-CHIP,MELF;1.5KOHM,5%,1/8W,DB,BK,2012	SME LOCAL
R383	2001-000802	R-CARBON;5.6KOHM,5%,1/8W,AA,TP,1.8X3.2M	
R601	2007-001472	R-CHIP,MELF;68KOHM,5%,1/8W,DB,BK,2012	SME LOCAL
R603	2007-001486	R-CHIP,MELF;56KOHM,5%,1/8W,DB,BK,2012	
R604	2007-000642	R-CHIP;270OHM,5%,1/10W,DA,TP,2012	SME LOCAL
R605	2007-001589	R-CHIP,MELF;1KOHM,5%,1/8W,DB,BK,2012	SME LOCAL
R606	2007-000658	R-CHIP;270OHM,5%,1/10W,DA,TP,2012	
R607	2007-001572	R-CHIP,MELF;220KOHM,5%,1/8W,DB,BK,2012	SME LOCAL
R608	2007-001572	R-CHIP,MELF;220KOHM,5%,1/8W,DB,BK,2012	SME LOCAL
R609	2001-001031	R-CARBON;91KOHM,5%,1/8W,AA,TP,1.8X3.2MM	SME LOCAL
R610	2007-001623	R-CHIP,MELF;10KOHM,5%,1/8W,DB,BK,2012	SME LOCAL
R6101	2007-001612	R-CHIP,MELF;12KOHM,5%,1/8W,DB,BK,2012	SME LOCAL
R6102	2007-001589	R-CHIP,MELF;1KOHM,5%,1/8W,DB,BK,2012	SME LOCAL
R6103	2007-001623	R-CHIP,MELF;10KOHM,5%,1/8W,DB,BK,2012	SME LOCAL
R6104	2007-001623	R-CHIP,MELF;10KOHM,5%,1/8W,DB,BK,2012	SME LOCAL

Loc. No	New Part No	Description and Specification	Remark
R6105	2001-000429	R-CARBON;1KOHM,5%,1/8W,AA,TP,1.8X3.2MM	SME LOCAL
R6106	2007-001589	R-CHIP,MELF;1KOHM,5%,1/8W,DB,BK,2012	SME LOCAL
R6107	2007-001596	R-CHIP,MELF;16KOHM,5%,1/8W,DB,BK,2012	
R6108	2001-000387	R-CARBON;16KOHM,5%,1/8W,AA,TP,1.8X3.2MM	
R6109	2001-000522	R-CARBON;22KOHM,5%,1/8W,AA,TP,1.8X3.2MM	SME LOCAL
R611	2007-001589	R-CHIP,MELF;1KOHM,5%,1/8W,DB,BK,2012	SME LOCAL
R6110	2001-000290	R-CARBON;10KOHM,5%,1/8W,AA,TP,1.8X3.2MM	SME LOCAL
R6113	2001-000008	R-CARBON;15KOHM,5%,1/8W,AA,TP,1.8X3.2MM	SME LOCAL
R6115	2001-000429	R-CARBON;1KOHM,5%,1/8W,AA,TP,1.8X3.2MM	SME LOCAL
R6118	2001-000734	R-CARBON;4.7KOHM,5%,1/8W,AA,TP,1.8X3.2M	SME LOCAL
R6119	2007-001486	R-CHIP,MELF;56KOHM,5%,1/8W,DB,BK,2012	
R612	2001-000429	R-CARBON;1KOHM,5%,1/8W,AA,TP,1.8X3.2MM	SME LOCAL
R6120	2001-000435	R-CARBON;1MOHM,5%,1/8W,AA,TP,1.8X3.2MM	SME LOCAL
R6121	2001-000429	R-CARBON;1KOHM,5%,1/8W,AA,TP,1.8X3.2MM	SME LOCAL
R6122	2001-000290	R-CARBON;10KOHM,5%,1/8W,AA,TP,1.8X3.2MM	SME LOCAL
R6123	2001-000786	R-CARBON;47KOHM,5%,1/8W,AA,TP,1.8X3.2MM	SME LOCAL
R6124	2007-001540	R-CHIP,MELF;30KOHM,5%,1/8W,DB,BK,2012	
R6125	2007-001540	R-CHIP,MELF;30KOHM,5%,1/8W,DB,BK,2012	
R6128	2001-000534	R-CARBON;240OHM,5%,1/8W,AA,TP,1.8X3.2MM	SME LOCAL
R6129	2001-000281	R-CARBON;100OHM,5%,1/8W,AA,TP,1.8X3.2MM	SME LOCAL
R613	2007-001503	R-CHIP,MELF;47KOHM,5%,1/8W,DB,BK,2012	SME LOCAL
R6130	DO NOT ORDER	WIRE-NO SHEATH CU;SPCW,300V,52.4MM,1/0.5MM,-,-	(S.N.A)
R6131	2001-000281	R-CARBON;100OHM,5%,1/8W,AA,TP,1.8X3.2MM	SME LOCAL
R6134	2001-000858	R-CARBON;56KOHM,1%,1/8W,AD,TP,1.8X3.2MM	
R614	2007-001589	R-CHIP,MELF;1KOHM,5%,1/8W,DB,BK,2012	SME LOCAL
R615	2007-001589	R-CHIP,MELF;1KOHM,5%,1/8W,DB,BK,2012	SME LOCAL
R616	2007-001486	R-CHIP,MELF;56KOHM,5%,1/8W,DB,BK,2012	
R617	2001-000290	R-CARBON;10KOHM,5%,1/8W,AA,TP,1.8X3.2MM	SME LOCAL
R618	2001-000290	R-CARBON;10KOHM,5%,1/8W,AA,TP,1.8X3.2MM	SME LOCAL
R619	2007-001557	R-CHIP,MELF;270OHM,5%,1/8W,DB,BK,2012	SME LOCAL
R620	2007-001495	R-CHIP,MELF;510OHM,5%,1/8W,DB,BK,2012	SME LOCAL
R621	2007-001589	R-CHIP,MELF;1KOHM,5%,1/8W,DB,BK,2012	SME LOCAL
R622	2007-001476	R-CHIP,MELF;680KOHM,5%,1/8W,DB,BK,2012	
R623	2007-001589	R-CHIP,MELF;1KOHM,5%,1/8W,DB,BK,2012	SME LOCAL
R624	2007-001507	R-CHIP,MELF;470KOHM,5%,1/8W,DB,BK,2012	
R625	2001-000802	R-CARBON;5.6KOHM,5%,1/8W,AA,TP,1.8X3.2M	
R626	2001-000281	R-CARBON;100OHM,5%,1/8W,AA,TP,1.8X3.2MM	SME LOCAL
R627	2007-001623	R-CHIP,MELF;10KOHM,5%,1/8W,DB,BK,2012	SME LOCAL
R628	2007-001623	R-CHIP,MELF;10KOHM,5%,1/8W,DB,BK,2012	SME LOCAL
R629	2001-000258	R-CARBON;1.8KOHM,5%,1/8W,AA,TP,1.8X3.2M	SME LOCAL
R631	2007-001586	R-CHIP,MELF;1MOHM,5%,1/8W,DB,BK,2012	SME LOCAL
R632	2001-000429	R-CARBON;1KOHM,5%,1/8W,AA,TP,1.8X3.2MM	SME LOCAL
R634	2007-001627	R-CHIP,MELF;100KOHM,5%,1/8W,DB,BK,2012	SME LOCAL
R635	2007-001589	R-CHIP,MELF;1KOHM,5%,1/8W,DB,BK,2012	SME LOCAL
R636	2007-001624	R-CHIP,MELF;100OHM,5%,1/8W,DB,TP,2012	
R637	2007-001589	R-CHIP,MELF;1KOHM,5%,1/8W,DB,BK,2012	SME LOCAL
R638	2007-001589	R-CHIP,MELF;1KOHM,5%,1/8W,DB,BK,2012	SME LOCAL
R639	2001-000429	R-CARBON;1KOHM,5%,1/8W,AA,TP,1.8X3.2MM	SME LOCAL
R641	2007-001586	R-CHIP,MELF;1MOHM,5%,1/8W,DB,BK,2012	SME LOCAL
R642	2001-000605	R-CARBON;3.6KOHM,5%,1/8W,AA,TP,1.8X3.2M	
R643	2007-001623	R-CHIP,MELF;10KOHM,5%,1/8W,DB,BK,2012	SME LOCAL
R644	2007-001589	R-CHIP,MELF;1KOHM,5%,1/8W,DB,BK,2012	SME LOCAL
R645	2001-000429	R-CARBON;1KOHM,5%,1/8W,AA,TP,1.8X3.2MM	SME LOCAL
R648	2001-000429	R-CARBON;1KOHM,5%,1/8W,AA,TP,1.8X3.2MM	SME LOCAL
R649	2001-000429	R-CARBON;1KOHM,5%,1/8W,AA,TP,1.8X3.2MM	SME LOCAL

Loc. No	New Part No	Description and Specification	Remark
R651	2007-001589	R-CHIP,MELF;1KOHM,5%,1/8W,DB,BK,2012	SME LOCAL
R655	2007-001589	R-CHIP,MELF;1KOHM,5%,1/8W,DB,BK,2012	SME LOCAL
R656	2001-000429	R-CARBON;1KOHM,5%,1/8W,AA,TP,1.8X3.2MM	SME LOCAL
R657	2001-000429	R-CARBON;1KOHM,5%,1/8W,AA,TP,1.8X3.2MM	SME LOCAL
R660	2007-001624	R-CHIP,MELF;100OHM,5%,1/8W,DB,TP,2012	
R662	2007-001589	R-CHIP,MELF;1KOHM,5%,1/8W,DB,BK,2012	SME LOCAL
R663	2001-000679	R-CARBON;36KOHM,5%,1/8W,AA,TP,1.8X3.2MM	SME LOCAL
R664	2001-000411	R-CARBON;18KOHM,5%,1/8W,AA,TP,1.8X3.2MM	SME LOCAL
R665	2001-000577	R-CARBON;2KOHM,5%,1/8W,AA,TP,1.8X3.2MM	
R666	2001-000429	R-CARBON;1KOHM,5%,1/8W,AA,TP,1.8X3.2MM	SME LOCAL
R669	2007-001486	R-CHIP,MELF;56KOHM,5%,1/8W,DB,BK,2012	
R671	2007-001497	R-CHIP,MELF;5.6KOHM,5%,1/8W,DB,BK,2012	SME LOCAL
R676	2001-000429	R-CARBON;1KOHM,5%,1/8W,AA,TP,1.8X3.2MM	SME LOCAL
R677	2001-000429	R-CARBON;1KOHM,5%,1/8W,AA,TP,1.8X3.2MM	SME LOCAL
R678	2001-000429	R-CARBON;1KOHM,5%,1/8W,AA,TP,1.8X3.2MM	SME LOCAL
R679	2001-000508	R-CARBON;220KOHM,5%,1/8W,AA,TP,1.8X3.2M	SME LOCAL
R680	2001-000832	R-CARBON;510OHM,5%,1/8W,AA,TP,1.8X3.2MM	SME LOCAL
R681	2001-000429	R-CARBON;1KOHM,5%,1/8W,AA,TP,1.8X3.2MM	SME LOCAL
R682	2007-001572	R-CHIP,MELF;220KOHM,5%,1/8W,DB,BK,2012	SME LOCAL
R683	2007-001495	R-CHIP,MELF;510OHM,5%,1/8W,DB,BK,2012	SME LOCAL
R684	2007-001589	R-CHIP,MELF;1KOHM,5%,1/8W,DB,BK,2012	SME LOCAL
R685	2001-000429	R-CARBON;1KOHM,5%,1/8W,AA,TP,1.8X3.2MM	SME LOCAL
R686	2001-000429	R-CARBON;1KOHM,5%,1/8W,AA,TP,1.8X3.2MM	SME LOCAL
R687	2007-001623	R-CHIP,MELF;10KOHM,5%,1/8W,DB,BK,2012	SME LOCAL
R688	2007-001557	R-CHIP,MELF;270OHM,5%,1/8W,DB,BK,2012	SME LOCAL
R689	2004-000218	R-METAL;10KOHM,1%,1/8W,AA,TP,1.8X3.2MM	
R690	2004-000218	R-METAL;10KOHM,1%,1/8W,AA,TP,1.8X3.2MM	
R691	2001-000429	R-CARBON;1KOHM,5%,1/8W,AA,TP,1.8X3.2MM	SME LOCAL
R692	2007-001493	R-CHIP,MELF;51KOHM,5%,1/8W,DB,BK,2012	
R693	2001-000221	R-CARBON;1.2KOHM,5%,1/8W,AA,TP,1.8X3.2M	SME LOCAL
R694	2007-001637	R-CHIP,MELF;1.2KOHM,5%,1/8W,DB,BK,2012	SME LOCAL
R695	2007-001490	R-CHIP,MELF;560KOHM,5%,1/8W,DB,BK,2012	SME LOCAL
R696	2007-001513	R-CHIP,MELF;4.7KOHM,5%,1/8W,DB,BK,2012	SME LOCAL
R697	2003-000259	R-METAL OXIDE;3.9OHM,5%,2W,AE,TP,6X16MM	SME LOCAL
S601	0603-000112	PHOTO-TR;NPN,35V,6V,50MA,75MW,-	SME LOCAL
S602	0603-000112	PHOTO-TR;NPN,35V,6V,50MA,75MW,-	SME LOCAL
SW601	AC34-22001E	SWITCH-PROGRAM;MXS00281MLB0,-,-,-,-,-,-,-	SME LOCAL
SW602	3409-000176	SWITCH-DETECTOR;30VDC,100MA,SPST,-,-	
XT601	2801-003293	CRYSTAL-UNIT;10MHZ,50PPM,28-AAA,16PF,50OHM,	
XT602	64539-021-009	CRYSTAL;32.768KHZ	SME LOCAL
XT6102	2801-003311	CRYSTAL-UNIT;17.734475MHZ,50PPM,28-AAA,16PF	

## AUDIO/VIDEO PARTS

C301	2202-000780	C-CERAMIC,MLC-AXIAL;100NF,+80-20%,50V,Y5V,TP,3.5	SME LOCAL
C302	2202-000796	C-CERAMIC,MLC-AXIAL;1NF,10%,50V,Y5P,TP,3.5X19,-	
C305	2203-002188	C-CERAMIC,CHIP;10NF,+80-20%,16V,Y5V,TP,2012,-	SME LOCAL
C309	2203-002188	C-CERAMIC,CHIP;10NF,+80-20%,16V,Y5V,TP,2012,-	SME LOCAL
C311	2203-002188	C-CERAMIC,CHIP;10NF,+80-20%,16V,Y5V,TP,2012,-	SME LOCAL
C314	2401-001978	C-AL;47UF,20%,25V,GP,TP,6.3X5,5	
C315	2203-001557	C-CERAMIC,CHIP;100NF,+80-20%,25V,Y5V,TP,2012,	SME LOCAL
C316	2202-000797	C-CERAMIC,MLC-AXIAL;10NF,30%,16V,Y5P,TP,3.5X19,-	SME LOCAL
C317	2401-001915	C-AL;1UF,20%,50V,GP,TP,3X5,1MM	
C320	2202-000797	C-CERAMIC,MLC-AXIAL;10NF,30%,16V,Y5P,TP,3.5X19,-	SME LOCAL
C321	2202-000797	C-CERAMIC,MLC-AXIAL;10NF,30%,16V,Y5P,TP,3.5X19,-	SME LOCAL
C322	2202-000797	C-CERAMIC,MLC-AXIAL;10NF,30%,16V,Y5P,TP,3.5X19,-	SME LOCAL

Loc. No	New Part No	Description and Specification	Remark
C324	2301-000129	C-FILM,PEF;100NF,5%,50V,TP,10X9X4.3X5,5MM	SME LOCAL
C325	2202-000797	C-CERAMIC,MLC-AXIAL;10NF,30%,16V,Y5P,TP,3.5X19,-	SME LOCAL
C326	2203-002188	C-CERAMIC,CHIP;10NF,+80-20%,16V,Y5V,TP,2012,-	SME LOCAL
C327	2203-002188	C-CERAMIC,CHIP;10NF,+80-20%,16V,Y5V,TP,2012,-	SME LOCAL
C328	2203-001620	C-CERAMIC,CHIP MELF;27PF,5%,50V,SL,TP,2012,2MM	SME LOCAL
C329	2203-002188	C-CERAMIC,CHIP;10NF,+80-20%,16V,Y5V,TP,2012,-	SME LOCAL
C330	2203-002188	C-CERAMIC,CHIP;10NF,+80-20%,16V,Y5V,TP,2012,-	SME LOCAL
C331	2401-000918	C-AL;22UF,20%,16V,GP,-,6.3X7,5	SME LOCAL
C332	2203-001524	C-CERAMIC,CHIP;47PF,5%,50V,NPO,TP,2012,-	
C333	2203-000840	C-CERAMIC,CHIP;390PF,5%,50V,NPO,TP,2012,-	SME LOCAL
C335	2203-001580	C-CERAMIC,CHIP MELF;15PF,5%,50V,SL,TP,2012,2MM	SME LOCAL
C336	2203-001606	C-CERAMIC,CHIP MELF;220PF,10%,50V,Y5P,TP,2012,2MM	SME LOCAL
C339	2202-000781	C-CERAMIC,MLC-AXIAL;100PF,10%,50V,Y5P,TP,3.5X19,-	SME LOCAL
C340	2401-001965	C-AL;470NF,20%,50V,-,BK,4X7MM,1.5MM	
C341	2401-001917	C-AL;1UF,20%,50V,-,TP,5X7MM,5	SME LOCAL
C342	2202-000780	C-CERAMIC,MLC-AXIAL;100NF,+80-20%,50V,Y5V,TP,3.5	SME LOCAL
C343	2401-001975	C-AL;47UF,20%,16V,GP,TP,5X11MM,5	SME LOCAL
C344	2401-000419	C-AL;10UF,20%,16V,GP,-,4X7,5	SME LOCAL
C346	2401-001975	C-AL;47UF,20%,16V,GP,TP,5X11MM,5	SME LOCAL
C347	2401-000419	C-AL;10UF,20%,16V,GP,-,4X7,5	SME LOCAL
C348	2401-001912	C-AL;1UF,20%,50V,GP,BK,5X11MM,2MM	SME LOCAL
C349	2203-000477	C-CERAMIC,CHIP;1UF,+80-20%,16V,Y5V,TP,2012,-	
C350	2203-002188	C-CERAMIC,CHIP;10NF,+80-20%,16V,Y5V,TP,2012,-	SME LOCAL
C351	2202-000780	C-CERAMIC,MLC-AXIAL;100NF,+80-20%,50V,Y5V,TP,3.5	SME LOCAL
C353	2203-002188	C-CERAMIC,CHIP;10NF,+80-20%,16V,Y5V,TP,2012,-	SME LOCAL
C355	2203-002188	C-CERAMIC,CHIP;10NF,+80-20%,16V,Y5V,TP,2012,-	SME LOCAL
C356	2203-002188	C-CERAMIC,CHIP;10NF,+80-20%,16V,Y5V,TP,2012,-	SME LOCAL
C357	2203-001557	C-CERAMIC,CHIP;100NF,+80-20%,25V,Y5V,TP,2012,-	SME LOCAL
C358	2401-001912	C-AL;1UF,20%,50V,GP,BK,5X11MM,2MM	SME LOCAL
C359	2203-002188	C-CERAMIC,CHIP;10NF,+80-20%,16V,Y5V,TP,2012,-	SME LOCAL
C362	2401-001912	C-AL;1UF,20%,50V,GP,BK,5X11MM,2MM	SME LOCAL
C363	2203-000979	C-CERAMIC,CHIP;47NF,10%,50V,X7R,2012,-,TP	SME LOCAL
C364	2401-001912	C-AL;1UF,20%,50V,GP,BK,5X11MM,2MM	SME LOCAL
C366	2202-000797	C-CERAMIC,MLC-AXIAL;10NF,30%,16V,Y5P,TP,3.5X19,-	SME LOCAL
C367	2203-001557	C-CERAMIC,CHIP;100NF,+80-20%,25V,Y5V,TP,2012,-	SME LOCAL
C368	2203-000979	C-CERAMIC,CHIP;47NF,10%,50V,X7R,2012,-,TP	SME LOCAL
C369	2401-001912	C-AL;1UF,20%,50V,GP,BK,5X11MM,2MM	SME LOCAL
C370	2203-000979	C-CERAMIC,CHIP;47NF,10%,50V,X7R,2012,-,TP	SME LOCAL
C371	2202-000797	C-CERAMIC,MLC-AXIAL;10NF,30%,16V,Y5P,TP,3.5X19,-	SME LOCAL
C373	2301-000439	C-FILM,PEF;3NF,5%,50V,TP,5.5X7X3MM,5MM	
C376	2203-002188	C-CERAMIC,CHIP;10NF,+80-20%,16V,Y5V,TP,2012,-	SME LOCAL
C377	2203-002188	C-CERAMIC,CHIP;10NF,+80-20%,16V,Y5V,TP,2012,-	SME LOCAL
C378	2401-001975	C-AL;47UF,20%,16V,GP,TP,5X11MM,5	SME LOCAL
C379	2401-001975	C-AL;47UF,20%,16V,GP,TP,5X11MM,5	SME LOCAL
C396	2401-001978	C-AL;47UF,20%,25V,GP,TP,6.3X5,5	
C397	2202-000780	C-CERAMIC,MLC-AXIAL;100NF,+80-20%,50V,Y5V,TP,3.5	SME LOCAL
C3A01	2401-001893	C-AL;100UF,20%,16V,GP,TP,6.3X7MM,5	SME LOCAL
C3A02	B1102-0113	C-FILM;CQ 922 P 100V 473-J CQ298PVT473J ECQV473J	SME LOCAL
C3A03	2401-001978	C-AL;47UF,20%,25V,GP,TP,6.3X5,5	
C3A04	2203-001674	C-CERAMIC,CHIP;6.8NF,20%,16V,X7S,TP,2012,2MM	SME LOCAL
C3A05	2203-000892	C-CERAMIC,CHIP;4.7NF,10%,50V,X7R,TP,2012,-	SME LOCAL
C3A06	2203-000533	C-CERAMIC,CHIP;2.7NF,10%,50V,X7R,TP,2012,-	SME LOCAL
C3A07	2203-001592	C-CERAMIC,CHIP;1NF,5%,50V,X7R,TP,2012,2MM	
C3A08	2401-001915	C-AL;1UF,20%,50V,GP,TP,3X5,1MM	
C3A09	2401-003122	C-AL;4.7UF,20%,50V,LL,TP,4X7,1.5	

Loc. No	New Part No	Description and Specification	Remark
C3A10	A1104-0611	C-ELEC;CE 04 -40/85 16V T 100-M SRE 3.5X5 10UF	SME LOCAL
C3A11	2401-000912	C-AL;22UF,20%,16V,GP,-,5X5,5	SME LOCAL
C3A12	2203-002188	C-CERAMIC,CHIP;10NF,+80-20%,16V,Y5V,TP,2012,-	SME LOCAL
C3A15	2203-000477	C-CERAMIC,CHIP;1UF,+80-20%,16V,Y5V,TP,2012,-	
C3A16	2203-000477	C-CERAMIC,CHIP;1UF,+80-20%,16V,Y5V,TP,2012,-	
C3A17	2203-001674	C-CERAMIC,CHIP;6.8NF,20%,16V,X7S,TP,2012,2MM	SME LOCAL
C3A18	2203-001674	C-CERAMIC,CHIP;6.8NF,20%,16V,X7S,TP,2012,2MM	SME LOCAL
C3A19	2203-001690	C-CERAMIC,CHIP;8.2NF,10%,50V,NPO,TP,2012,2MM	
C3A20	2203-001604	C-CERAMIC,CHIP;220NF,10%,25V,X7R,2012,2MM,TP	
C3A21	2401-000918	C-AL;22UF,20%,16V,GP,-,6.3X7,5	SME LOCAL
C3A22	2203-001604	C-CERAMIC,CHIP;220NF,10%,25V,X7R,2012,2MM,TP	
C3A23	2401-001036	C-AL;33UF,20%,16V,GP,TP,6.3X5,5	SME LOCAL
C3A24	2203-001604	C-CERAMIC,CHIP;220NF,10%,25V,X7R,2012,2MM,TP	
C3A25	2203-001557	C-CERAMIC,CHIP;100NF,+80-20%,25V,Y5V,TP,2012,	SME LOCAL
C3A26	2401-001978	C-AL;47UF,20%,25V,GP,TP,6.3X5,5	
C3A27	2401-002197	C-AL;4.7UF,20%,25V,GP,TP,4X7,5MM	SME LOCAL
C3A28	2203-001557	C-CERAMIC,CHIP;100NF,+80-20%,25V,Y5V,TP,2012,	SME LOCAL
C3A29	2203-002188	C-CERAMIC,CHIP;10NF,+80-20%,16V,Y5V,TP,2012,-	SME LOCAL
C3A30	2203-001579	C-CERAMIC,CHIP;15NF,10%,50V,NPO,TP,2012,2MM	
CN301	3708-000395	CONNECTOR-FPC/FC/PIC;8P,1.25MM,STRAIGHT,SN	
CN3A01	3708-001053	CONNECTOR-FPC/FC/PIC;7P,1.25MM,STRAIGHT,SN	
CN3A02	3711-000371	CONNECTOR-HEADER;- ,2P,1R,2MM,STRAIGHT,-	SME LOCAL
FL301	AC27-80100A	COIL-OSC;126QN-K5272YHC=K,-,AM	
IC301	AC14-12014L	IC-LINEAR;LA7411,DIP,PRE-AMP	SME LOCAL
IC302	1204-001056	IC-SIGNAL PROCESSOR;SS11501M,QFP,80P,-,PLASTIC,7	
IC303	1209-001024	IC-DELAY LINE;SS23378M,SOP,14P,225MIL,PLASTI	
L301	AC27-92001B	COIL-PEAKING AXIAL;BAL04ST101K,-,-,-,-	SME LOCAL
L303	2701-000206	INDUCTOR-AXIAL;56UH,5%,2.4X3.4MM	SME LOCAL
L304	2701-000206	INDUCTOR-AXIAL;56UH,5%,2.4X3.4MM	SME LOCAL
L305	2701-000181	INDUCTOR-AXIAL;33UH,5%,2.4X3.4MM	SME LOCAL
L308	2702-000108	INDUCTOR-RADIAL;100UH,5%,6X6.4MM	
L311	DO NOT ORDER	WIRE-NO SHEATH CU;SPCW,300V,52.4MM,1/0.5MM,-,-	(S.N.A)
L312	AC27-92001B	COIL-PEAKING AXIAL;BAL04ST101K,-,-,-,-	SME LOCAL
L313	AC27-92001B	COIL-PEAKING AXIAL;BAL04ST101K,-,-,-,-	SME LOCAL
L314	2702-000108	INDUCTOR-RADIAL;100UH,5%,6X6.4MM	
L3A02	2702-000108	INDUCTOR-RADIAL;100UH,5%,6X6.4MM	
L3A03	2702-000120	INDUCTOR-RADIAL;15MH,5%,6.2X7.4MM	SME LOCAL
L3A04	AC27-92001B	COIL-PEAKING AXIAL;BAL04ST101K,-,-,-,-	SME LOCAL
Q302	0501-000303	TR-SMALL SIGNAL;KSA733-Y,PNP,250MW,TO-92,-,120	SME LOCAL
Q303	0501-000303	TR-SMALL SIGNAL;KSA733-Y,PNP,250MW,TO-92,-,120	SME LOCAL
Q304	0501-000398	TR-SMALL SIGNAL;KSC945,NPN,250MW,TO-92,TP,120-	SME LOCAL
Q309	0501-000398	TR-SMALL SIGNAL;KSC945,NPN,250MW,TO-92,TP,120-	SME LOCAL
Q310	0501-000303	TR-SMALL SIGNAL;KSA733-Y,PNP,250MW,TO-92,-,120	SME LOCAL
Q312	0501-000398	TR-SMALL SIGNAL;KSC945,NPN,250MW,TO-92,TP,120-	SME LOCAL
Q324	0501-000398	TR-SMALL SIGNAL;KSC945,NPN,250MW,TO-92,TP,120-	SME LOCAL
Q3A01	0501-000231	TR-SMALL SIGNAL;2SD1468SQ,NPN,300MW,TO-92S,TP,	SME LOCAL
Q3A02	0501-000231	TR-SMALL SIGNAL;2SD1468SQ,NPN,300MW,TO-92S,TP,	SME LOCAL
Q3A03	0501-000010	TR-SMALL SIGNAL;KSC1008-Y,NPN,80V,60V,700MA,80	SME LOCAL
Q3A04	0501-000303	TR-SMALL SIGNAL;KSA733-Y,PNP,250MW,TO-92,-,120	SME LOCAL
Q3A05	0501-000398	TR-SMALL SIGNAL;KSC945,NPN,250MW,TO-92,TP,120-	SME LOCAL
Q3A06	0504-000203	TR-DIGITAL;KSR1004,NPN,300MW,47K-47K,TO-9	SME LOCAL
R302	2001-000302	R-CARBON;10OHM,5%,1/8W,AA,TP,1.8X3.2MM	
R303	2007-001568	R-CHIP,MELF;22KOHM,5%,1/8W,DB,BK,2012	SME LOCAL
R305	2007-001633	R-CHIP,MELF;1.5KOHM,5%,1/8W,DB,BK,2012	SME LOCAL
R306	61048-177-563	R-CARBON;RD 1/8 T 563-J	

Loc. No	New Part No	Description and Specification	Remark
R307	2007-001627	R-CHIP,MELF;100KOHM,5%,1/8W,DB,BK,2012	SME LOCAL
R308	2007-001521	R-CHIP,MELF;390OHM,5%,1/8W,DB,BK,2012	SME LOCAL
R309	2001-000660	R-CARBON;33KOHM,5%,1/8W,AA,TP,1.8X3.2MM	SME LOCAL
R310	2001-000613	R-CARBON;3.9KOHM,5%,1/8W,AA,TP,1.8X3.2M	SME LOCAL
R311	2001-000995	R-CARBON;820OHM,5%,1/8W,AA,TP,1.8X3.2MM	SME LOCAL
R312	2001-000660	R-CARBON;33KOHM,5%,1/8W,AA,TP,1.8X3.2MM	SME LOCAL
R313	2007-001513	R-CHIP,MELF;4.7KOHM,5%,1/8W,DB,BK,2012	SME LOCAL
R314	2001-000554	R-CARBON;270OHM,5%,1/8W,AA,TP,1.8X3.2MM	SME LOCAL
R315	2001-000613	R-CARBON;3.9KOHM,5%,1/8W,AA,TP,1.8X3.2M	SME LOCAL
R316	2001-000878	R-CARBON;6.2KOHM,5%,1/8W,AA,TP,1.8X3.2M	SME LOCAL
R317	2001-000660	R-CARBON;33KOHM,5%,1/8W,AA,TP,1.8X3.2MM	SME LOCAL
R318	2001-000660	R-CARBON;33KOHM,5%,1/8W,AA,TP,1.8X3.2MM	SME LOCAL
R319	2007-001521	R-CHIP,MELF;390OHM,5%,1/8W,DB,BK,2012	SME LOCAL
R320	2007-001637	R-CHIP,MELF;1.2KOHM,5%,1/8W,DB,BK,2012	SME LOCAL
R321	2001-000005	R-CARBON;390OHM,5%,1/8W,AA,TP,1.8X3.2MM	SME LOCAL
R322	2007-001633	R-CHIP,MELF;1.5KOHM,5%,1/8W,DB,BK,2012	SME LOCAL
R323	2007-001513	R-CHIP,MELF;4.7KOHM,5%,1/8W,DB,BK,2012	SME LOCAL
R324	2007-001633	R-CHIP,MELF;1.5KOHM,5%,1/8W,DB,BK,2012	SME LOCAL
R325	2001-000003	R-CARBON;330OHM,5%,1/8W,AA,TP,1.8X3.2MM	SME LOCAL
R328	2007-001637	R-CHIP,MELF;1.2KOHM,5%,1/8W,DB,BK,2012	SME LOCAL
R329	2007-001584	R-CHIP,MELF;2.2KOHM,5%,1/8W,DB,BK,2012	SME LOCAL
R331	2007-001637	R-CHIP,MELF;1.2KOHM,5%,1/8W,DB,BK,2012	SME LOCAL
R332	2007-001589	R-CHIP,MELF;1KOHM,5%,1/8W,DB,BK,2012	SME LOCAL
R333	2007-001458	R-CHIP,MELF;8.2KOHM,5%,1/8W,DB,BK,2012	SME LOCAL
R334	2007-001629	R-CHIP,MELF;1.8KOHM,5%,1/8W,DB,BK,2012	SME LOCAL
R335	2007-001616	R-CHIP,MELF;120KOHM,5%,1/8W,DB,BK,2012	SME LOCAL
R337	2001-000472	R-CARBON;2.7KOHM,5%,1/8W,AA,TP,1.8X3.2M	SME LOCAL
R338	2001-000734	R-CARBON;4.7KOHM,5%,1/8W,AA,TP,1.8X3.2M	SME LOCAL
R339	2001-000429	R-CARBON;1KOHM,5%,1/8W,AA,TP,1.8X3.2MM	SME LOCAL
R340	2001-000449	R-CARBON;2.2KOHM,5%,1/8W,AA,TP,1.8X3.2M	SME LOCAL
R353	2007-001521	R-CHIP,MELF;390OHM,5%,1/8W,DB,BK,2012	SME LOCAL
R398	2001-000003	R-CARBON;330OHM,5%,1/8W,AA,TP,1.8X3.2MM	SME LOCAL
R399	2001-000005	R-CARBON;390OHM,5%,1/8W,AA,TP,1.8X3.2MM	SME LOCAL
R3A02	2001-000405	R-CARBON;180OHM,5%,1/8W,AA,TP,1.8X3.2MM	SME LOCAL
R3A03	2007-001505	R-CHIP,MELF;470OHM,5%,1/8W,DB,BK,2012	SME LOCAL
R3A04	2007-001629	R-CHIP,MELF;1.8KOHM,5%,1/8W,DB,BK,2012	SME LOCAL
R3A05	2007-001584	R-CHIP,MELF;2.2KOHM,5%,1/8W,DB,BK,2012	SME LOCAL
R3A06	2007-001584	R-CHIP,MELF;2.2KOHM,5%,1/8W,DB,BK,2012	SME LOCAL
R3A07	2007-001582	R-CHIP,MELF;2.2OHM,5%,1/8W,DB,BK,2012	SME LOCAL
R3A08	2007-001623	R-CHIP,MELF;10KOHM,5%,1/8W,DB,BK,2012	SME LOCAL
R3A09	2001-000522	R-CARBON;22KOHM,5%,1/8W,AA,TP,1.8X3.2MM	SME LOCAL
R3A10	2007-001633	R-CHIP,MELF;1.5KOHM,5%,1/8W,DB,BK,2012	SME LOCAL
R3A11	2007-001534	R-CHIP,MELF;33KOHM,5%,1/8W,DB,BK,2012	SME LOCAL
R3A12	2007-001603	R-CHIP,MELF;150OHM,5%,1/8W,DB,BK,2012	SME LOCAL
R3A13	2007-001538	R-CHIP,MELF;330KOHM,5%,1/8W,DB,BK,2012	SME LOCAL
R3A14	2007-001513	R-CHIP,MELF;4.7KOHM,5%,1/8W,DB,BK,2012	SME LOCAL
R3A15	2007-001612	R-CHIP,MELF;12KOHM,5%,1/8W,DB,BK,2012	SME LOCAL
R3A17	2007-001497	R-CHIP,MELF;5.6KOHM,5%,1/8W,DB,BK,2012	SME LOCAL
R3A19	2007-001637	R-CHIP,MELF;1.2KOHM,5%,1/8W,DB,BK,2012	SME LOCAL
R3A20	2001-000786	R-CARBON;47KOHM,5%,1/8W,AA,TP,1.8X3.2MM	SME LOCAL
R3A21	2007-001503	R-CHIP,MELF;47KOHM,5%,1/8W,DB,BK,2012	SME LOCAL
R3A22	2007-001503	R-CHIP,MELF;47KOHM,5%,1/8W,DB,BK,2012	SME LOCAL
R3A23	2007-001484	R-CHIP,MELF;6.2KOHM,5%,1/8W,DB,BK,2012	SME LOCAL
R3A24	2001-000454	R-CARBON;2.2MOHM,5%,1/8W,AA,TP,1.8X3.2M	SME LOCAL
R3A25	2007-001482	R-CHIP,MELF;6.8KOHM,5%,1/8W,DB,BK,2012	SME LOCAL

Loc. No	New Part No	Description and Specification	Remark
R3A26	2001-001015	R-CARBON;9.1KOHM,5%,1/8W,AA,TP,1.8X3.2M	
R3A27	2001-000734	R-CARBON;4.7KOHM,5%,1/8W,AA,TP,1.8X3.2M	SME LOCAL
R3A28	2001-000290	R-CARBON;10KOHM,5%,1/8W,AA,TP,1.8X3.2MM	SME LOCAL
R3A29	2007-001580	R-CHIP,MELF;2.4KOHM,5%,1/8W,DB,BK,2012	SME LOCAL
R3A30	2007-001546	R-CHIP,MELF;3.9KOHM,5%,1/8W,DB,BK,2012	SME LOCAL
R3A31	2007-001546	R-CHIP,MELF;3.9KOHM,5%,1/8W,DB,BK,2012	SME LOCAL
R3A32	2001-000904	R-CARBON;620OHM,5%,1/8W,AA,TP,1.8X3.2MM	SME LOCAL
SC302	AC63-40831A	SHIELD-CASE AUDIO;- ,SPT E,T0.3,- ,SV-C120U	
XT301	B1280-0169	CRYSTAL;4.433619MHZ HC-49/U-S 15PPM SERIES TYPE	SME LOCAL
XT302	64539-012-009	CRYSTAL;3.579545 HC/49U(8PF) TAPG	

**IF PARTS**

C401	2202-000797	C-CERAMIC,MLC-AXIAL;10NF,30%,16V,Y5P,TP,3.5X19,-	SME LOCAL
C402	2401-001507	C-AL;47UF,20%,16V,GP,TP,6.3X5,5	
C403	2202-000780	C-CERAMIC,MLC-AXIAL;100NF,+80-20%,50V,Y5V,TP,3.5	SME LOCAL
C404	2202-000797	C-CERAMIC,MLC-AXIAL;10NF,30%,16V,Y5P,TP,3.5X19,-	SME LOCAL
C405	2401-001975	C-AL;47UF,20%,16V,GP,TP,5X11MM,5	SME LOCAL
C407	2202-000797	C-CERAMIC,MLC-AXIAL;10NF,30%,16V,Y5P,TP,3.5X19,-	SME LOCAL
C408	2401-001975	C-AL;47UF,20%,16V,GP,TP,5X11MM,5	SME LOCAL
C409	2202-000780	C-CERAMIC,MLC-AXIAL;100NF,+80-20%,50V,Y5V,TP,3.5	SME LOCAL
C411	2301-000129	C-FILM,PEF;100NF,5%,50V,TP,10X9X4.3X5,5MM	SME LOCAL
C412	2301-000129	C-FILM,PEF;100NF,5%,50V,TP,10X9X4.3X5,5MM	SME LOCAL
C413	2301-000129	C-FILM,PEF;100NF,5%,50V,TP,10X9X4.3X5,5MM	SME LOCAL
C415	2401-001572	C-AL;47UF,20%,50V,GP,-,6.3X11,2.5MM	SME LOCAL
C416	2202-000780	C-CERAMIC,MLC-AXIAL;100NF,+80-20%,50V,Y5V,TP,3.5	SME LOCAL
C417	2401-000419	C-AL;10UF,20%,16V,GP,-,4X7,5	SME LOCAL
C421	2202-000780	C-CERAMIC,MLC-AXIAL;100NF,+80-20%,50V,Y5V,TP,3.5	SME LOCAL
C422	2203-001557	C-CERAMIC,CHIP;100NF,+80-20%,25V,Y5V,TP,2012,	SME LOCAL
C446	2202-000797	C-CERAMIC,MLC-AXIAL;10NF,30%,16V,Y5P,TP,3.5X19,-	SME LOCAL
C447	2401-001975	C-AL;47UF,20%,16V,GP,TP,5X11MM,5	SME LOCAL
GP4A1	AC63-40838A	GROUND-RF;SVK-C17GV,SUS 304,T 0.3,-,-	
IC401	AC14-12003P	IC;LA7920,-,-	SME LOCAL
IC402	AC14-12003T	IC-L;KA33V TAPG,-,-	SME LOCAL
L401	AC27-92001B	COIL-PEAKING AXIAL;BAL04ST101K,-,-,-,-	SME LOCAL
L402	AC27-92001B	COIL-PEAKING AXIAL;BAL04ST101K,-,-,-,-	SME LOCAL
Q401	0501-000398	TR-SMALL SIGNAL;KSC945,NPN,250MW,TO-92,TP,120-	SME LOCAL
R401	2001-000281	R-CARBON;100OHM,5%,1/8W,AA,TP,1.8X3.2MM	SME LOCAL
R402	2001-000281	R-CARBON;100OHM,5%,1/8W,AA,TP,1.8X3.2MM	SME LOCAL
R403	2001-000522	R-CARBON;22KOHM,5%,1/8W,AA,TP,1.8X3.2MM	SME LOCAL
R404	2001-000522	R-CARBON;22KOHM,5%,1/8W,AA,TP,1.8X3.2MM	SME LOCAL
R405	2007-001623	R-CHIP,MELF;10KOHM,5%,1/8W,DB,BK,2012	SME LOCAL
R406	2001-000718	R-CARBON;4.3KOHM,5%,1/8W,AA,TP,1.8X3.2M	
R407	DO NOT ORDER	WIRE-NO SHEATH CU;SPCW,300V,52.4MM,1/0.5MM,-,-	(S.N.A)
R408	2001-000563	R-CARBON;27KOHM,5%,1/8W,AA,TP,1.8X3.2MM	SME LOCAL
R409	2001-000563	R-CARBON;27KOHM,5%,1/8W,AA,TP,1.8X3.2MM	SME LOCAL
R410	2001-000563	R-CARBON;27KOHM,5%,1/8W,AA,TP,1.8X3.2MM	SME LOCAL
R422	2001-000522	R-CARBON;22KOHM,5%,1/8W,AA,TP,1.8X3.2MM	SME LOCAL
R423	2001-000595	R-CARBON;3.3MOHM,5%,1/8W,AA,TP,1.8X3.2M	SME LOCAL
R424	2001-000595	R-CARBON;3.3MOHM,5%,1/8W,AA,TP,1.8X3.2M	SME LOCAL
R425	2001-000595	R-CARBON;3.3MOHM,5%,1/8W,AA,TP,1.8X3.2M	SME LOCAL
U401	AC40-30070Z	TM-BLOCK;TMLG3-302A,PAL-G/I/K,106	

**IF PARTS**

C401	2202-000797	C-CERAMIC,MLC-AXIAL;10NF,30%,16V,Y5P,TP,3.5X19,-	SME LOCAL
------	-------------	--	-----------

Loc. No	New Part No	Description and Specification	Remark
C402	2401-001507	C-AL;47UF,20%,16V,GP,TP,6.3X5,5	
C403	2202-000780	C-CERAMIC,MLC-AXIAL;100NF,+80-20%,50V,Y5V,TP,3.5	SME LOCAL
C404	2202-000797	C-CERAMIC,MLC-AXIAL;10NF,30%,16V,Y5P,TP,3.5X19,-	SME LOCAL
C405	2401-001975	C-AL;47UF,20%,16V,GP,TP,5X11MM,5	SME LOCAL
C407	2202-000797	C-CERAMIC,MLC-AXIAL;10NF,30%,16V,Y5P,TP,3.5X19,-	SME LOCAL
C408	2401-001975	C-AL;47UF,20%,16V,GP,TP,5X11MM,5	SME LOCAL
C409	2202-000780	C-CERAMIC,MLC-AXIAL;100NF,+80-20%,50V,Y5V,TP,3.5	SME LOCAL
C415	2401-001572	C-AL;47UF,20%,50V,GP,-,6.3X11,2.5MM	SME LOCAL
C421	2202-000780	C-CERAMIC,MLC-AXIAL;100NF,+80-20%,50V,Y5V,TP,3.5	SME LOCAL
C422	2203-001557	C-CERAMIC,CHIP;100NF,+80-20%,25V,Y5V,TP,2012,-	SME LOCAL
C446	2202-000797	C-CERAMIC,MLC-AXIAL;10NF,30%,16V,Y5P,TP,3.5X19,-	SME LOCAL
C447	2401-001975	C-AL;47UF,20%,16V,GP,TP,5X11MM,5	SME LOCAL
GP4A1	AC63-40838A	GROUND-RF;SVK-C17GV,SUS 304,T 0.3,-,-	
IC402	AC14-12003T	IC-L;KA33V TAPG,-,-	SME LOCAL
L401	AC27-92001B	COIL-PEAKING AXIAL;BAL04ST101K,-,-,-	SME LOCAL
R401	2001-000281	R-CARBON;100OHM,5%,1/8W,AA,TP,1.8X3.2MM	SME LOCAL
R402	2001-000281	R-CARBON;100OHM,5%,1/8W,AA,TP,1.8X3.2MM	SME LOCAL
R403	2001-000522	R-CARBON;22KOHM,5%,1/8W,AA,TP,1.8X3.2MM	SME LOCAL
R404	2001-000522	R-CARBON;22KOHM,5%,1/8W,AA,TP,1.8X3.2MM	SME LOCAL
R405	2007-001623	R-CHIP,MELF;10KOHM,5%,1/8W,DB,BK,2012	SME LOCAL
U401	AD40-20100A	RF-MODULATOR;MDLM3E301A,G/I/K/L/M	

**I/O PARTS**

C801	2203-001557	C-CERAMIC,CHIP;100NF,+80-20%,25V,Y5V,TP,2012,-	SME LOCAL
C802	2401-001507	C-AL;47UF,20%,16V,GP,TP,6.3X5,5	
C803	2401-001978	C-AL;47UF,20%,25V,GP,TP,6.3X5,5	
C804	2201-000823	C-CERAMIC,DISC;270PF,5%,50V,SL,TP,5X3,5	
C805	2203-001246	C-CERAMIC,CHIP;82PF,5%,50V,NPO,TP,2012,-	SME LOCAL
C806	2401-000912	C-AL;22UF,20%,16V,GP,-,5X5,5	SME LOCAL
C807	2201-000681	C-CERAMIC,DISC;82PF,5%,50V,SL,TP,5X3,5	SME LOCAL
C808	2401-000419	C-AL;10UF,20%,16V,GP,-,4X7,5	SME LOCAL
C809	2401-002197	C-AL;4.7UF,20%,25V,GP,TP,4X7,5MM	SME LOCAL
C810	2202-000806	C-CERAMIC,MLC-AXIAL;220PF,10%,50V,Y5P,TP,3.5X19,-	
C811	A1104-0611	C-ELEC;CE 04 -40/85 16V T 100-M SRE 3.5X5 10UF	SME LOCAL
C812	2401-000419	C-AL;10UF,20%,16V,GP,-,4X7,5	SME LOCAL
C815	2401-000419	C-AL;10UF,20%,16V,GP,-,4X7,5	SME LOCAL
C819	2401-001904	C-AL;10UF,20%,16V,-,TP,4X7MM,5	SME LOCAL
C890	2203-001696	C-CERAMIC,CHIP MELF;82PF,10%,50V,Y5P,TP,2012,2MM	SME LOCAL
C891	2203-001597	C-CERAMIC,CHIP;2.2NF,20%,25V,X7S,TP,2012,2MM	SME LOCAL
JC801	AC37-20001H	JACK-RCA;DPAM-,4P,MONO,PI3.3	
L801	2701-000181	INDUCTOR-AXIAL;33UH,5%,2.4X3.4MM	SME LOCAL
L802	2701-000181	INDUCTOR-AXIAL;33UH,5%,2.4X3.4MM	SME LOCAL
Q801	0501-000303	TR-SMALL SIGNAL;KSA733-Y,PNP,250MW,TO-92,-,120	SME LOCAL
Q802	0501-000398	TR-SMALL SIGNAL;KSC945,NPN,250MW,TO-92,TP,120-	SME LOCAL
Q803	0501-000398	TR-SMALL SIGNAL;KSC945,NPN,250MW,TO-92,TP,120-	SME LOCAL
R801	2007-001446	R-CHIP,MELF;910OHM,5%,1/8W,DB,BK,2012	
R802	2007-001505	R-CHIP,MELF;470OHM,5%,1/8W,DB,BK,2012	SME LOCAL
R803	2001-000780	R-CARBON;470OHM,5%,1/8W,AA,TP,1.8X3.2MM	SME LOCAL
R804	2001-000969	R-CARBON;75OHM,5%,1/8W,AA,TP,1.8X3.2MM	SME LOCAL
R805	2001-000429	R-CARBON;1KOHM,5%,1/8W,AA,TP,1.8X3.2MM	SME LOCAL
R806	2001-000969	R-CARBON;75OHM,5%,1/8W,AA,TP,1.8X3.2MM	SME LOCAL
R807	2001-000554	R-CARBON;270OHM,5%,1/8W,AA,TP,1.8X3.2MM	SME LOCAL
R808	2001-000508	R-CARBON;220KOHM,5%,1/8W,AA,TP,1.8X3.2M	SME LOCAL
R809	2001-000995	R-CARBON;820OHM,5%,1/8W,AA,TP,1.8X3.2MM	SME LOCAL
R810	2001-000449	R-CARBON;2.2KOHM,5%,1/8W,AA,TP,1.8X3.2M	SME LOCAL

Loc. No	New Part No	Description and Specification	Remark
R811	2001-000539	R-CARBON;24KOHM,5%,1/8W,AA,TP,1.8X3.2MM	SME LOCAL
R812	2001-000009	R-CARBON;20KOHM,5%,1/8W,AA,TP,1.8X3.2MM	
R813	2001-000003	R-CARBON;330OHM,5%,1/8W,AA,TP,1.8X3.2MM	SME LOCAL
SW801	3408-000127	SWITCH-SLIDE;12V,100MA,-,-	SME LOCAL
670	DO NOT ORDER	ASSY-F/TIMER	(S.N.A)
C701	2202-000797	C-CERAMIC,MLC-AXIAL;10NF,30%,16V,Y5P,TP,3.5X19,-	SME LOCAL
C702	2202-000796	C-CERAMIC,MLC-AXIAL;1NF,10%,50V,Y5P,TP,3.5X19,-	
C703	2202-000797	C-CERAMIC,MLC-AXIAL;10NF,30%,16V,Y5P,TP,3.5X19,-	SME LOCAL
C704	2401-001893	C-AL;100UF,20%,16V,GP,TP,6.3X7MM,5	SME LOCAL
C705	2202-000807	C-CERAMIC,MLC-AXIAL;22NF,+80-20%,25V,Y5V,TP,3.5X	
C706	2401-001893	C-AL;100UF,20%,16V,GP,TP,6.3X7MM,5	SME LOCAL
C707	2202-000279	C-CERAMIC,MLC-AXIAL;47PF,5%,50V,SL,3.5X19,-,TP	SME LOCAL
C708	2202-000279	C-CERAMIC,MLC-AXIAL;47PF,5%,50V,SL,3.5X19,-,TP	SME LOCAL
C709	2202-000279	C-CERAMIC,MLC-AXIAL;47PF,5%,50V,SL,3.5X19,-,TP	SME LOCAL
C710	2202-000243	C-CERAMIC,MLC-AXIAL;33PF,5%,50V,SL,3.5X19,-,TP	
CN62A	3809-001051	CABLE-FLAT;30V,80C,100MM,12P,1.25MM,UL289	
CN701	3708-001048	CONNECTOR-FPC/FC/PIC;12P,1.25MM,STRAIGHT,SN	
D701	0402-000127	DIODE-RECTIFIER;1N4002,100V,1A,DO-41	SME LOCAL
D720	0401-000101	DIODE-SWITCHING;1N4148,100V,200MA,500MW,4NS,DO	SME LOCAL
D730	0401-000101	DIODE-SWITCHING;1N4148,100V,200MA,500MW,4NS,DO	SME LOCAL
D731	0401-000101	DIODE-SWITCHING;1N4148,100V,200MA,500MW,4NS,DO	SME LOCAL
D737	0401-000101	DIODE-SWITCHING;1N4148,100V,200MA,500MW,4NS,DO	SME LOCAL
D738	0401-000101	DIODE-SWITCHING;1N4148,100V,200MA,500MW,4NS,DO	SME LOCAL
D739	0401-000101	DIODE-SWITCHING;1N4148,100V,200MA,500MW,4NS,DO	SME LOCAL
DT701	AC07-20050W	VF-DISPLAY;SVV-06SS32,-,20.5X75,SV-A35G	
IC701	1003-001034	IC-VFD;UPD16312,QFP,44P,9.5MIL,-,9.5M	
L701	AC27-92001B	COIL-PEAKING AXIAL;BAL04ST101K,-,-,-	SME LOCAL
R701	2004-000233	R-METAL;10OHM,5%,1/4W,AA,TP,2.4X6.4MM	SME LOCAL
R703	2001-000633	R-CARBON;30KOHM,5%,1/8W,AA,TP,1.8X3.2MM	SME LOCAL
R704	2001-000290	R-CARBON;10KOHM,5%,1/8W,AA,TP,1.8X3.2MM	SME LOCAL
R705	2004-001261	R-METAL;8.2OHM,5%,1/4W,AA,TP,2.4X6.4MM	
R706	2004-001261	R-METAL;8.2OHM,5%,1/4W,AA,TP,2.4X6.4MM	
R707	61048-177-563	R-CARBON;RD 1/8 T 563-J	
R708	2001-000780	R-CARBON;470OHM,5%,1/8W,AA,TP,1.8X3.2MM	SME LOCAL
R709	2001-000290	R-CARBON;10KOHM,5%,1/8W,AA,TP,1.8X3.2MM	SME LOCAL
R710	2001-000780	R-CARBON;470OHM,5%,1/8W,AA,TP,1.8X3.2MM	SME LOCAL
R711	2001-000429	R-CARBON;1KOHM,5%,1/8W,AA,TP,1.8X3.2MM	SME LOCAL
R712	2001-000734	R-CARBON;4.7KOHM,5%,1/8W,AA,TP,1.8X3.2M	SME LOCAL
R713	2001-000290	R-CARBON;10KOHM,5%,1/8W,AA,TP,1.8X3.2MM	SME LOCAL
R714	2001-000660	R-CARBON;33KOHM,5%,1/8W,AA,TP,1.8X3.2MM	SME LOCAL
R715	2001-000290	R-CARBON;10KOHM,5%,1/8W,AA,TP,1.8X3.2MM	SME LOCAL
R716	2001-000660	R-CARBON;33KOHM,5%,1/8W,AA,TP,1.8X3.2MM	SME LOCAL
R717	2001-000290	R-CARBON;10KOHM,5%,1/8W,AA,TP,1.8X3.2MM	SME LOCAL
R718	2001-000660	R-CARBON;33KOHM,5%,1/8W,AA,TP,1.8X3.2MM	SME LOCAL
R719	2001-000290	R-CARBON;10KOHM,5%,1/8W,AA,TP,1.8X3.2MM	SME LOCAL
R720	2001-000660	R-CARBON;33KOHM,5%,1/8W,AA,TP,1.8X3.2MM	SME LOCAL
R734	2001-000290	R-CARBON;10KOHM,5%,1/8W,AA,TP,1.8X3.2MM	SME LOCAL
RM701	B1294-0076	MODULE-REMOCON;GP1U281R/SHARP 38KHZ	
SW701	3404-000165	SWITCH-TACT;12V,50MA,160GF + -50GF,6X6MM,SPS	
SW702	3404-000165	SWITCH-TACT;12V,50MA,160GF + -50GF,6X6MM,SPS	
SW703	3404-000165	SWITCH-TACT;12V,50MA,160GF + -50GF,6X6MM,SPS	
SW704	3404-000165	SWITCH-TACT;12V,50MA,160GF + -50GF,6X6MM,SPS	
SW705	3404-000165	SWITCH-TACT;12V,50MA,160GF + -50GF,6X6MM,SPS	
SW706	3404-000165	SWITCH-TACT;12V,50MA,160GF + -50GF,6X6MM,SPS	

Loc. No	New Part No	Description and Specification	Remark
SW707	3404-000165	SWITCH-TACT;12V,50MA,160GF+-50GF,6X6MM,SPS	
SW708	3404-000165	SWITCH-TACT;12V,50MA,160GF+-50GF,6X6MM,SPS	
SW710	3404-000165	SWITCH-TACT;12V,50MA,160GF+-50GF,6X6MM,SPS	
ZD702	0403-000296	DIODE-ZENER;MTZ5.6B,5.6V,5.45-5.73V,500MW,	
<b>REMOCON-ASSY</b>			
	AC59-10329N	REMOCON-ASSY;-NR-3346,-,-,SV-A30G/ZAMA,S/S	
	64043-0166-00	DOOR-BATTERY;ABS94HB T2 D/GRY NR-3346	
CT1	2401-001954	C-AL;4.7UF,20%,50V,GP,BK,5X11MM,5	SME LOCAL
CT2	2203-000239	C-CERAMIC,CHIP;100PF,5%,50V,NPO,TP,2012,-	SME LOCAL
CT3	2203-000239	C-CERAMIC,CHIP;100PF,5%,50V,NPO,TP,2012,-	SME LOCAL
ICT1	AC09-12014C	IC-MCU;KS51810-76,QFP,V-PAL	SME LOCAL
LDT1	A4150-0168	LED-INFRARED;SI5312-H NTR 940NM/1.4V	SME LOCAL
QT1	0501-000534	TR-SMALL SIGNAL;2SC2412K,NPN,200MW,SOT-23,TP,1	SME LOCAL
RT1	2007-000483	R-CHIP;1OHM,5%,1/10W,DA,TP,2012	SME LOCAL
XT01	64539-102-311	CERAMIC RESONATOR;CSB455EBL/KBR455BKTL	
<b>I/O PARTS</b>			
C801	2203-001557	C-CERAMIC,CHIP;100NF,+80-20%,25V,Y5V,TP,2012,	SME LOCAL
C802	2401-001507	C-AL;47UF,20%,16V,GP,TP,6.3X5,5	
C803	2401-001978	C-AL;47UF,20%,25V,GP,TP,6.3X5,5	
C804	2201-000823	C-CERAMIC,DISC;270PF,5%,50V,SL,TP,5X3,5	
C805	2203-001246	C-CERAMIC,CHIP;82PF,5%,50V,NPO,TP,2012,-	SME LOCAL
C806	2401-000912	C-AL;22UF,20%,16V,GP,-,5X5,5	SME LOCAL
C807	2201-000681	C-CERAMIC,DISC;82PF,5%,50V,SL,TP,5X3,5	SME LOCAL
C808	2401-000419	C-AL;10UF,20%,16V,GP,-,4X7,5	SME LOCAL
C809	2401-002197	C-AL;4.7UF,20%,25V,GP,TP,4X7,5MM	SME LOCAL
C810	2202-000806	C-CERAMIC,MLC-AXIAL;220PF,10%,50V,Y5P,TP,3.5X19,	
C811	A1104-0611	C-ELEC;CE 04 -40/85 16V T 100-M SRE 3.5X5 10UF	SME LOCAL
C815	2401-000419	C-AL;10UF,20%,16V,GP,-,4X7,5	SME LOCAL
C890	2203-001696	C-CERAMIC,CHIP MELF;82PF,10%,50V,Y5P,TP,2012,2MM	SME LOCAL
C891	2203-001597	C-CERAMIC,CHIP;2.2NF,20%,25V,X7S,TP,2012,2MM	SME LOCAL
JC801	AC37-20001H	JACK-RCA;DPAM-,4P,MONO,PI3.3	
L801	2701-000181	INDUCTOR-AXIAL;33UH,5%,2.4X3.4MM	SME LOCAL
L802	2701-000181	INDUCTOR-AXIAL;33UH,5%,2.4X3.4MM	SME LOCAL
Q801	0501-000303	TR-SMALL SIGNAL;KSA733-Y,PNP,250MW,TO-92,-,120	SME LOCAL
Q802	0501-000398	TR-SMALL SIGNAL;KSC945,NPN,250MW,TO-92,TP,120-	SME LOCAL
R801	2007-001446	R-CHIP,MELF;910OHM,5%,1/8W,DB,BK,2012	
R802	2007-001505	R-CHIP,MELF;470OHM,5%,1/8W,DB,BK,2012	SME LOCAL
R803	2001-000780	R-CARBON;470OHM,5%,1/8W,AA,TP,1.8X3.2MM	SME LOCAL
R804	2001-000969	R-CARBON;75OHM,5%,1/8W,AA,TP,1.8X3.2MM	SME LOCAL
R805	2001-000429	R-CARBON;1KOHM,5%,1/8W,AA,TP,1.8X3.2MM	SME LOCAL
R806	2001-000969	R-CARBON;75OHM,5%,1/8W,AA,TP,1.8X3.2MM	SME LOCAL
R807	2001-000554	R-CARBON;270OHM,5%,1/8W,AA,TP,1.8X3.2MM	SME LOCAL
R808	2001-000508	R-CARBON;220KOHM,5%,1/8W,AA,TP,1.8X3.2M	SME LOCAL
R809	2001-000995	R-CARBON;820OHM,5%,1/8W,AA,TP,1.8X3.2MM	SME LOCAL
R810	2001-000449	R-CARBON;2.2KOHM,5%,1/8W,AA,TP,1.8X3.2M	SME LOCAL
R812	2001-000009	R-CARBON;20KOHM,5%,1/8W,AA,TP,1.8X3.2MM	SME LOCAL
SW801	3408-000127	SWITCH-SLIDE;12V,100MA,-,-	SME LOCAL
670	DO NOT ORDER	ASSY-F/TIMER	(S.N.A)
C701	2202-000797	C-CERAMIC,MLC-AXIAL;10NF,30%,16V,Y5P,TP,3.5X19,-	SME LOCAL
C702	2202-000796	C-CERAMIC,MLC-AXIAL;1NF,10%,50V,Y5P,TP,3.5X19,-	
C703	2202-000797	C-CERAMIC,MLC-AXIAL;10NF,30%,16V,Y5P,TP,3.5X19,-	SME LOCAL

Loc. No	New Part No	Description and Specification	Remark
C704	2401-001893	C-AL;100UF,20%,16V,GP,TP,6.3X7MM,5	SME LOCAL
C705	2202-000807	C-CERAMIC,MLC-AXIAL;22NF,+80-20%,25V,Y5V,TP,3.5X	
C706	2401-001893	C-AL;100UF,20%,16V,GP,TP,6.3X7MM,5	SME LOCAL
C707	2202-000279	C-CERAMIC,MLC-AXIAL;47PF,5%,50V,SL,3.5X19,-,TP	SME LOCAL
C708	2202-000279	C-CERAMIC,MLC-AXIAL;47PF,5%,50V,SL,3.5X19,-,TP	SME LOCAL
C709	2202-000279	C-CERAMIC,MLC-AXIAL;47PF,5%,50V,SL,3.5X19,-,TP	SME LOCAL
C710	2202-000243	C-CERAMIC,MLC-AXIAL;33PF,5%,50V,SL,3.5X19,-,TP	
CN62A	3809-001051	CABLE-FLAT;30V,80C,100MM,12P,1.25MM,UL289	
CN701	3708-001048	CONNECTOR-FPC/FC/PIC;12P,1.25MM,STRAIGHT,SN	
D701	0402-000127	DIODE-RECTIFIER;1N4002,100V,1A,DO-41	SME LOCAL
D720	0401-000101	DIODE-SWITCHING;1N4148,100V,200MA,500MW,4NS,DO	SME LOCAL
D730	0401-000101	DIODE-SWITCHING;1N4148,100V,200MA,500MW,4NS,DO	SME LOCAL
D731	0401-000101	DIODE-SWITCHING;1N4148,100V,200MA,500MW,4NS,DO	SME LOCAL
D733	0401-000101	DIODE-SWITCHING;1N4148,100V,200MA,500MW,4NS,DO	SME LOCAL
D736	0401-000101	DIODE-SWITCHING;1N4148,100V,200MA,500MW,4NS,DO	SME LOCAL
D738	0401-000101	DIODE-SWITCHING;1N4148,100V,200MA,500MW,4NS,DO	SME LOCAL
D739	0401-000101	DIODE-SWITCHING;1N4148,100V,200MA,500MW,4NS,DO	SME LOCAL
D780	0401-000101	DIODE-SWITCHING;1N4148,100V,200MA,500MW,4NS,DO	SME LOCAL
IC701	1003-001034	IC-VFD;UPD16312,QFP,44P,9.5MIL,-,9.5M	
L701	AC27-92001B	COIL-PEAKING AXIAL;BAL04ST101K,-,-,-,-	SME LOCAL
LD701	62309-112-141	LED;KLR 123E(RED)	
LD702	0601-000497	LED;ROUND,GRN,3MM,565NM	
LD703	0601-000497	LED;ROUND,GRN,3MM,565NM	
LD704	62309-112-141	LED;KLR 123E(RED)	
R701	2004-000233	R-METAL;100HM,5%,1/4W,AA,TP,2.4X6.4MM	SME LOCAL
R703	2001-000633	R-CARBON;30KOHM,5%,1/8W,AA,TP,1.8X3.2MM	SME LOCAL
R704	2001-000290	R-CARBON;10KOHM,5%,1/8W,AA,TP,1.8X3.2MM	SME LOCAL
R705	2004-001261	R-METAL;8.2OHM,5%,1/4W,AA,TP,2.4X6.4MM	
R706	2004-001261	R-METAL;8.2OHM,5%,1/4W,AA,TP,2.4X6.4MM	
R707	61048-177-563	R-CARBON;RD 1/8 T 563-J	
R708	2001-000780	R-CARBON;470OHM,5%,1/8W,AA,TP,1.8X3.2MM	SME LOCAL
R709	2001-000290	R-CARBON;10KOHM,5%,1/8W,AA,TP,1.8X3.2MM	SME LOCAL
R710	2001-000780	R-CARBON;470OHM,5%,1/8W,AA,TP,1.8X3.2MM	SME LOCAL
R711	2001-000429	R-CARBON;1KOHM,5%,1/8W,AA,TP,1.8X3.2MM	SME LOCAL
R712	2001-000734	R-CARBON;4.7KOHM,5%,1/8W,AA,TP,1.8X3.2M	SME LOCAL
R713	2001-000290	R-CARBON;10KOHM,5%,1/8W,AA,TP,1.8X3.2MM	SME LOCAL
R714	2001-000660	R-CARBON;33KOHM,5%,1/8W,AA,TP,1.8X3.2MM	SME LOCAL
R715	2001-000290	R-CARBON;10KOHM,5%,1/8W,AA,TP,1.8X3.2MM	SME LOCAL
R716	2001-000660	R-CARBON;33KOHM,5%,1/8W,AA,TP,1.8X3.2MM	SME LOCAL
R717	2001-000290	R-CARBON;10KOHM,5%,1/8W,AA,TP,1.8X3.2MM	SME LOCAL
R718	2001-000660	R-CARBON;33KOHM,5%,1/8W,AA,TP,1.8X3.2MM	SME LOCAL
R719	2001-000290	R-CARBON;10KOHM,5%,1/8W,AA,TP,1.8X3.2MM	SME LOCAL
R720	2001-000660	R-CARBON;33KOHM,5%,1/8W,AA,TP,1.8X3.2MM	SME LOCAL
R734	2001-000290	R-CARBON;10KOHM,5%,1/8W,AA,TP,1.8X3.2MM	SME LOCAL
R751	2001-000554	R-CARBON;270OHM,5%,1/8W,AA,TP,1.8X3.2MM	SME LOCAL
R752	2001-000554	R-CARBON;270OHM,5%,1/8W,AA,TP,1.8X3.2MM	SME LOCAL
R753	2001-000554	R-CARBON;270OHM,5%,1/8W,AA,TP,1.8X3.2MM	SME LOCAL
R754	2001-000472	R-CARBON;2.7KOHM,5%,1/8W,AA,TP,1.8X3.2M	
R757	2001-000362	R-CARBON;150OHM,5%,1/8W,AA,TP,1.8X3.2MM	SME LOCAL
RM701	B1294-0076	MODULE-REMOCON;GP1U281R/SHARP 38KHZ	
SW701	3404-000165	SWITCH-TACT;12V,50MA,160GF+-50GF,6X6MM,SPS	
SW702	3404-000165	SWITCH-TACT;12V,50MA,160GF+-50GF,6X6MM,SPS	
SW703	3404-000165	SWITCH-TACT;12V,50MA,160GF+-50GF,6X6MM,SPS	
SW704	3404-000165	SWITCH-TACT;12V,50MA,160GF+-50GF,6X6MM,SPS	
SW705	3404-000165	SWITCH-TACT;12V,50MA,160GF+-50GF,6X6MM,SPS	

Loc. No	New Part No	Description and Specification	Remark
SW706	3404-000165	SWITCH-TACT;12V,50MA,160GF+-50GF,6X6MM,SPS	
SW707	3404-000165	SWITCH-TACT;12V,50MA,160GF+-50GF,6X6MM,SPS	
SW708	3404-000165	SWITCH-TACT;12V,50MA,160GF+-50GF,6X6MM,SPS	
SW710	3404-000165	SWITCH-TACT;12V,50MA,160GF+-50GF,6X6MM,SPS	
ZD702	0403-000296	DIODE-ZENER:MTZ5.6B,5.6V,5.45-5.73V,500MW,	
<b>REMOCOM-ASSY</b>			
	AC59-10329N	REMOCON-ASSY;-NR-3346,-,-,SV-A30G/ZAMA,S/S	
	64043-0166-00	DOOR-BATTERY;ABS94HB T2 D/GRY NR-3346	
	68114-622-100	STICKER REMOCON;ART PAPER	
	68654-607-111	PE-BAG REMOCON;LDPE T0.08(MARK)	
	AC61-60102A	SPRING-REMOCON(+);CS,CSPWI NI-CO STS,PI0.6,-,8.1	
	AC61-60103A	SPRING-REMOCON(-);CS,CSPWI NI-CO STS,PI0.6,-,21*	
	AC61-60104A	SPRING-REMOCON(C);CS,CS STS304 PI0.6,PI0.6,-,20*	
	AC64-10193A	KNOB-REMOCON MAIN;ABS94,HB,L/GRY,-,-,-	
	AC64-30821F	CASE-TOP REMOCON;-ABS94,HB,T2.0,L210 W64 H20.6	
	AC64-40079A	WINDOW-REMOCON;PC,-,T2,VIO,-,PR3641,-	
	AC64-60863P	INLAY-REMOCON;-PC,T0.25,L22.5 W64,D/GRY,NR-	
	AC73-10010J	RUBBER-KEY REMOCON;SILICONE,-,SV-A30G/ZAMA,-	
CT1	2401-001954	C-AL;4.7UF,20%,50V,GP,BK,5X11MM,5	SME LOCAL
CT2	2203-000239	C-CERAMIC,CHIP;100PF,5%,50V,NPO,TP,2012,-	SME LOCAL
CT3	2203-000239	C-CERAMIC,CHIP;100PF,5%,50V,NPO,TP,2012,-	SME LOCAL
ICT1	AC09-12014C	IC-MCU;KS51810-76,QFP,V-PAL	SME LOCAL
LDT1	A4150-0168	LED-INFRARED;SI5312-H NTR 940NM/1.4V	SME LOCAL
P.C.B	AC41-10858A	PCB-REMOCON;SV-A80F,1L,1V0,W55.5XL162XT1.6	
QT1	0501-000534	TR-SMALL SIGNAL;2SC2412K,NPN,200MW,SOT-23,TP,1	SME LOCAL
RT1	2007-000483	R-CHIP;1OHM,5%,1/10W,DA,TP,2012	SME LOCAL
XT01	64539-102-311	CERAMIC RESONATOR;CSB455EBL/KBR455BKTL	

**MEMO**

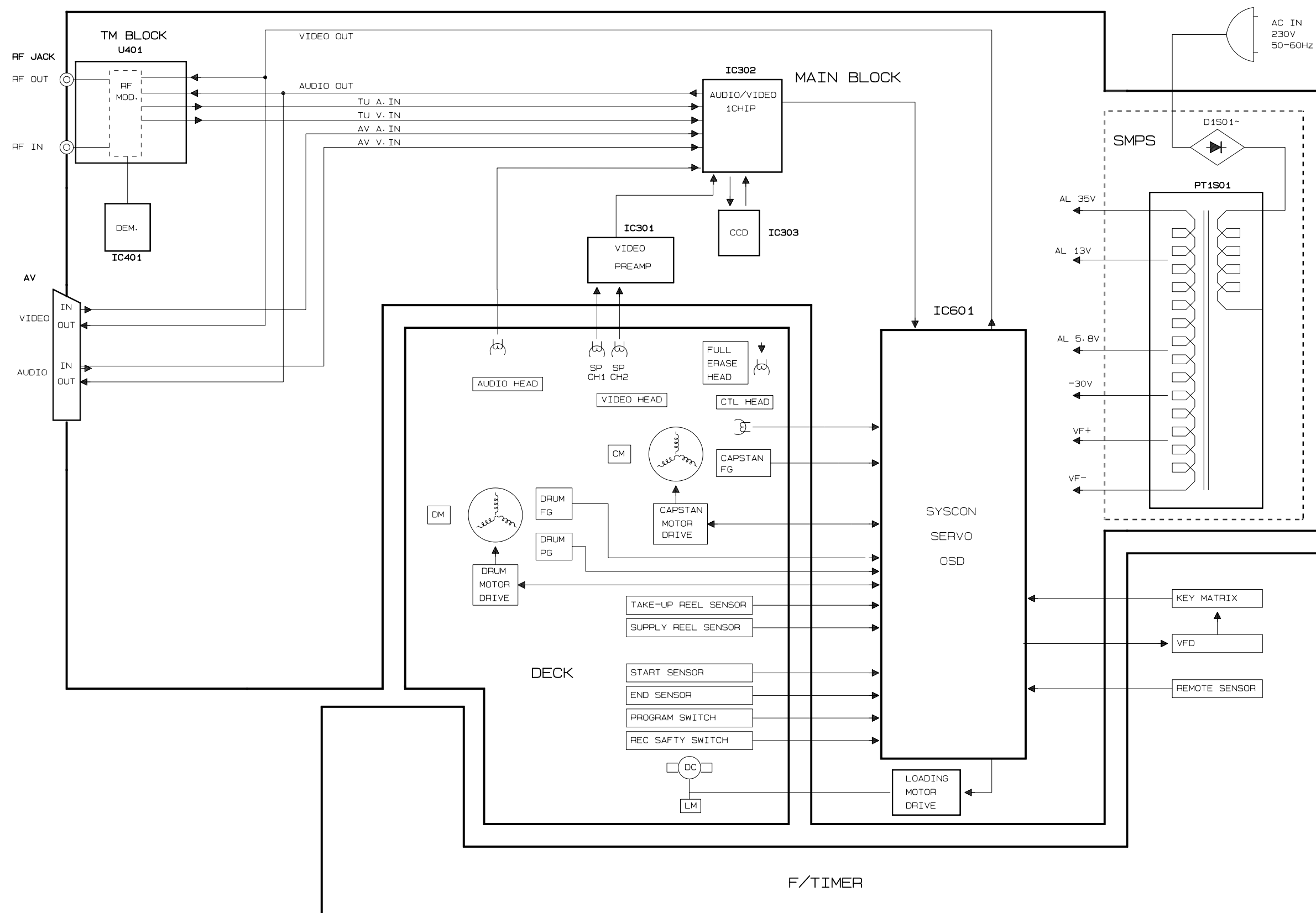
---

## 8. Block Diagrams

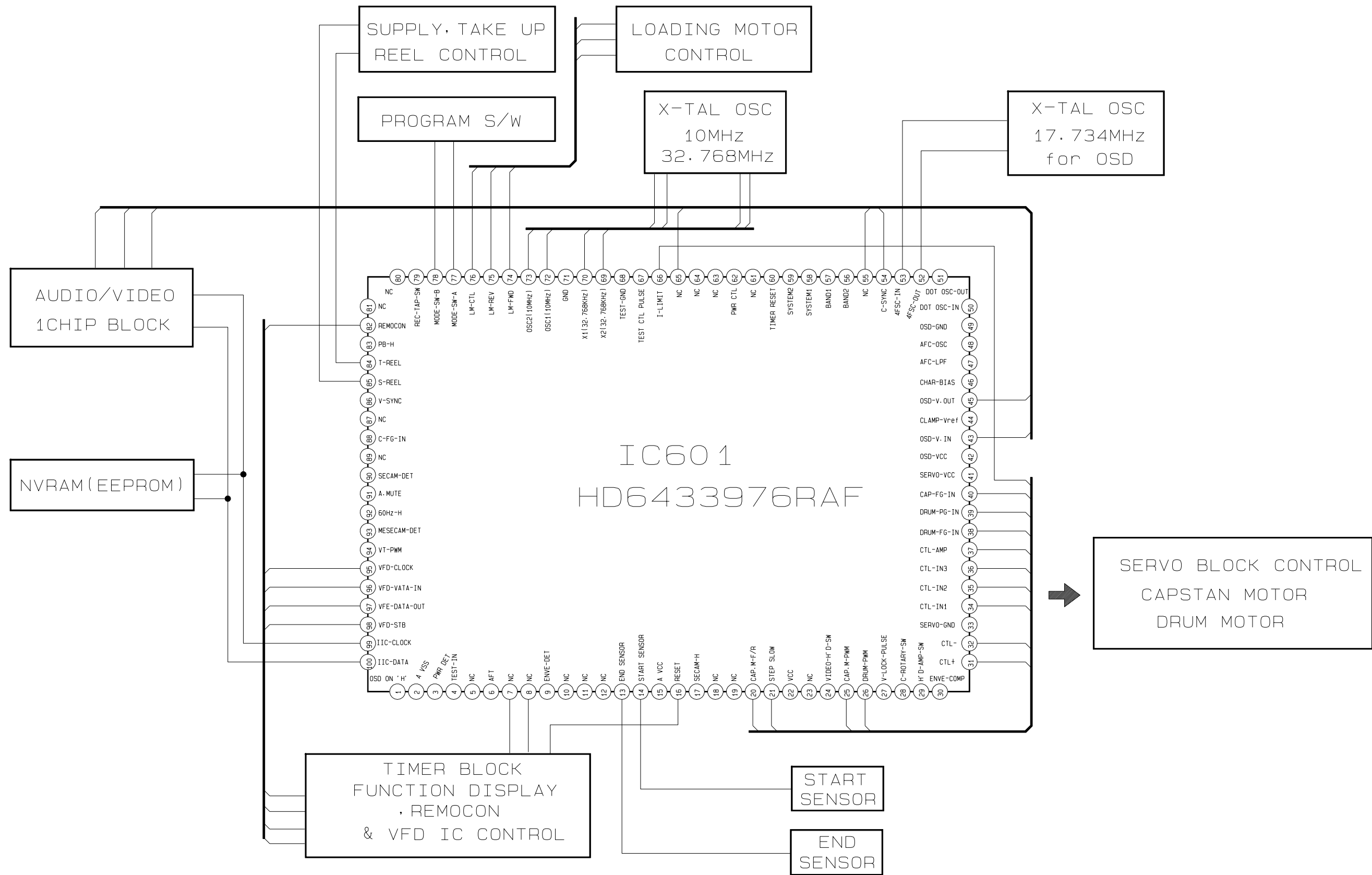
---

	Page
8-1 Overall Block Diagram .....	8-2
8-2 System Control .....	8-3
8-3 Video .....	8-4

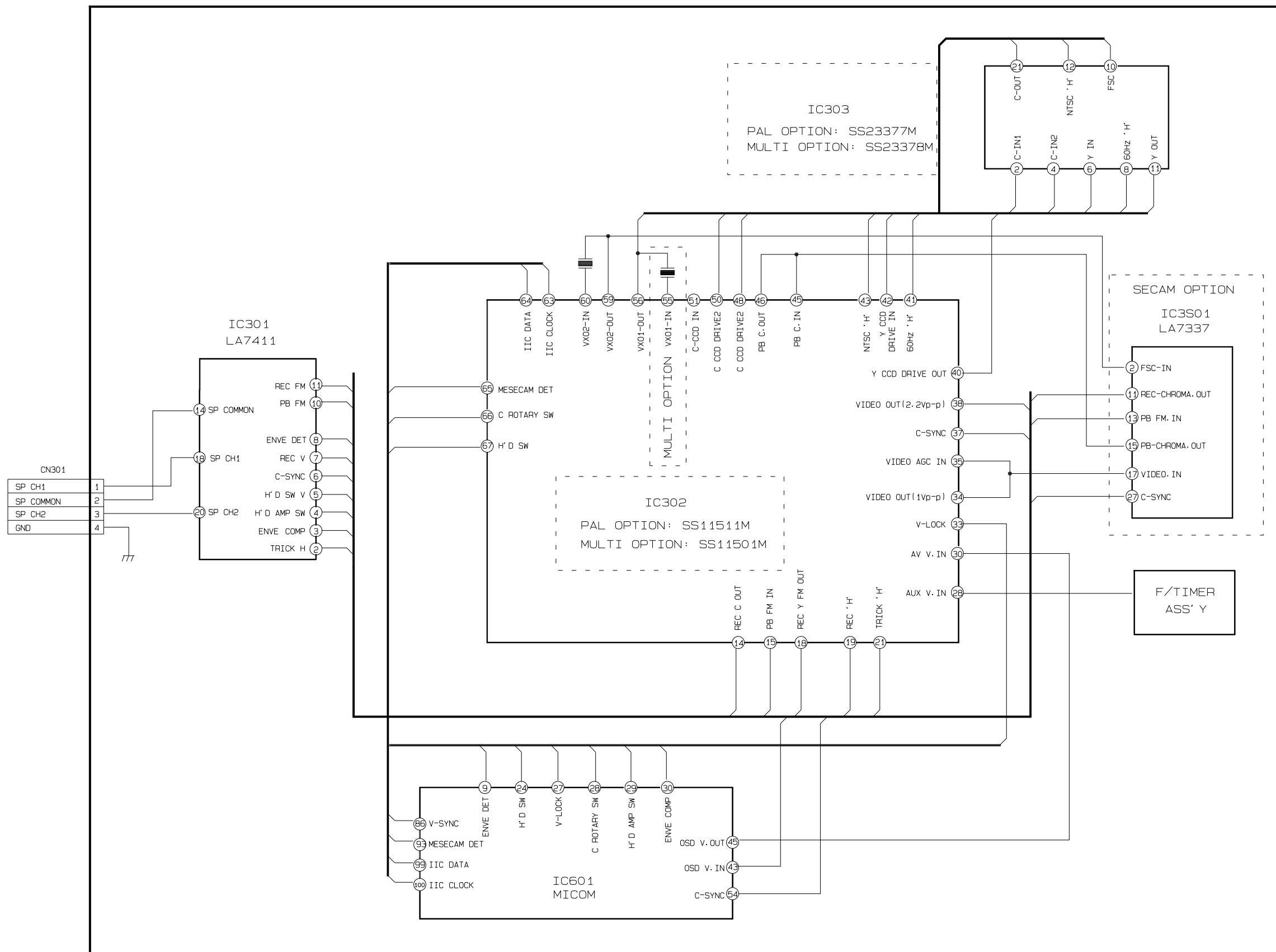
### 8-1 Overall Block Diagram



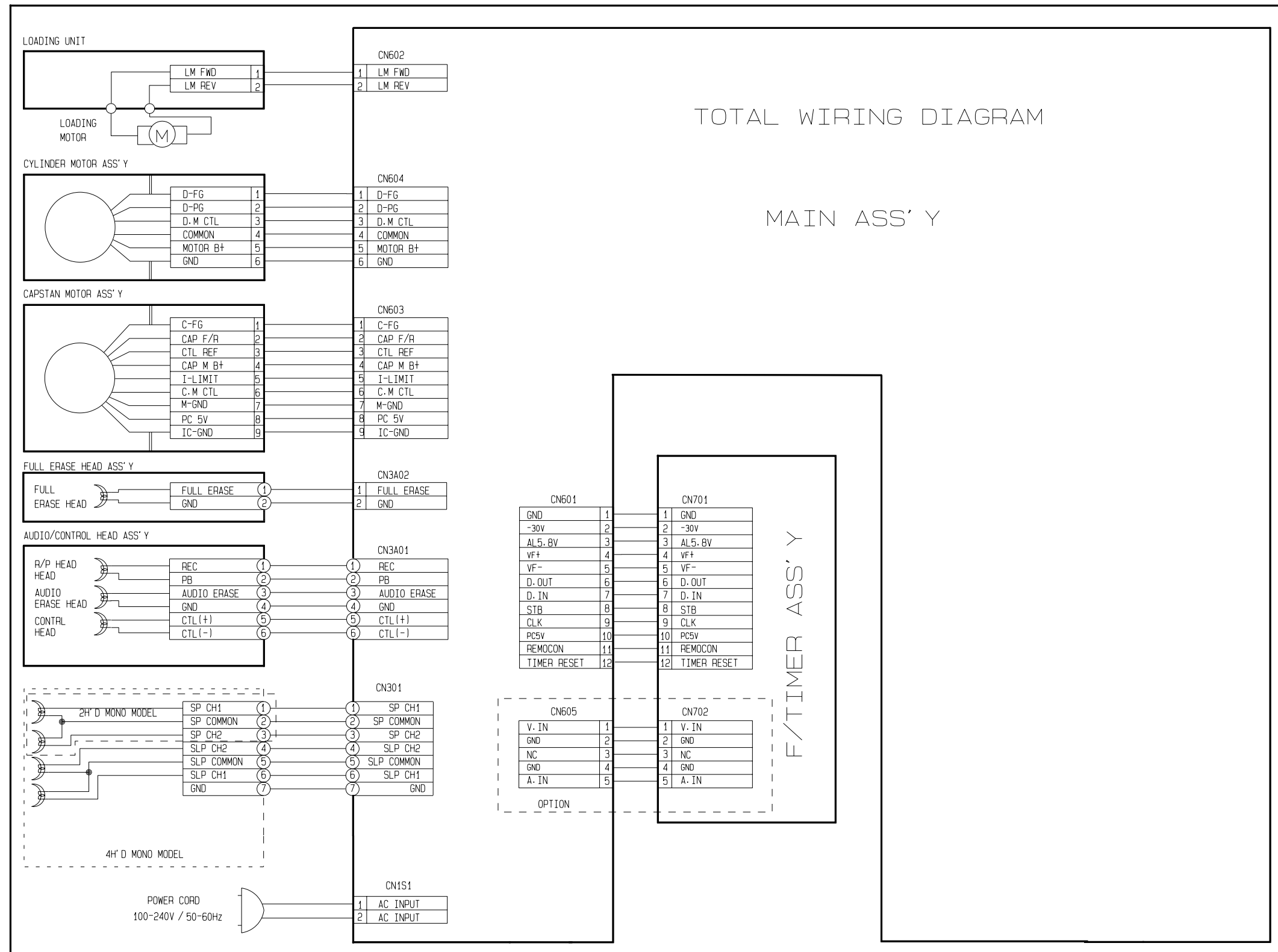
8-2 System Control



### 8-3 Video



# 10. Wiring Diagram



---

## 11. Schematic Diagrams

---

	Page
◆ Block Identification of Main PCB .....	11-2
11-1 S.M.P.S/POWER(RCC) .....	11-3
11-2 S.M.P.S/POWER(FREE) .....	11-4
11-3 System Control/Servo .....	11-5
11-4 Audio/Video .....	11-6
11-5 RF/IO(SV-A35G) .....	11-7
11-6 RF/IO (SV-A13G) .....	11-8
11-7 Function-Timer .....	11-9
11-8 Remote-Control .....	11-10

**Note**

For schematic Diagram  
 - Resistors are in ohms, 1/8W unless otherwise noted.  
 - Circled numbers refer to waveforms.


**Special note :**

Most semiconductor devices are electrostatically sensitive and therefore require the special handling techniques described under the "electrostatically sensitive (ES) devices" section of this service manual.

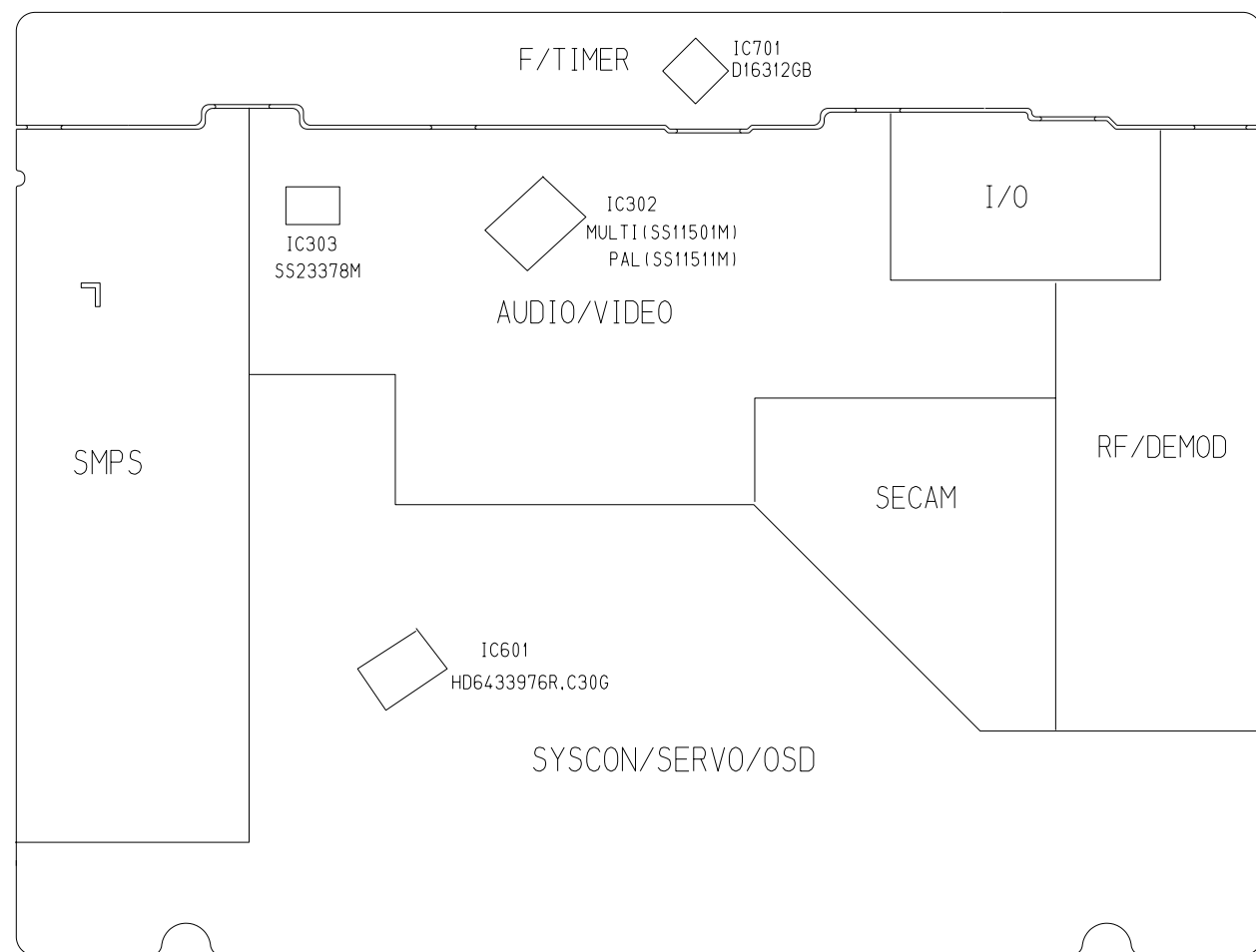
**Note :**

Do not use the part number shown on this drawing for ordering. The correct part number is shown in the parts list (may be slightly different or amended since this drawing was prepared).

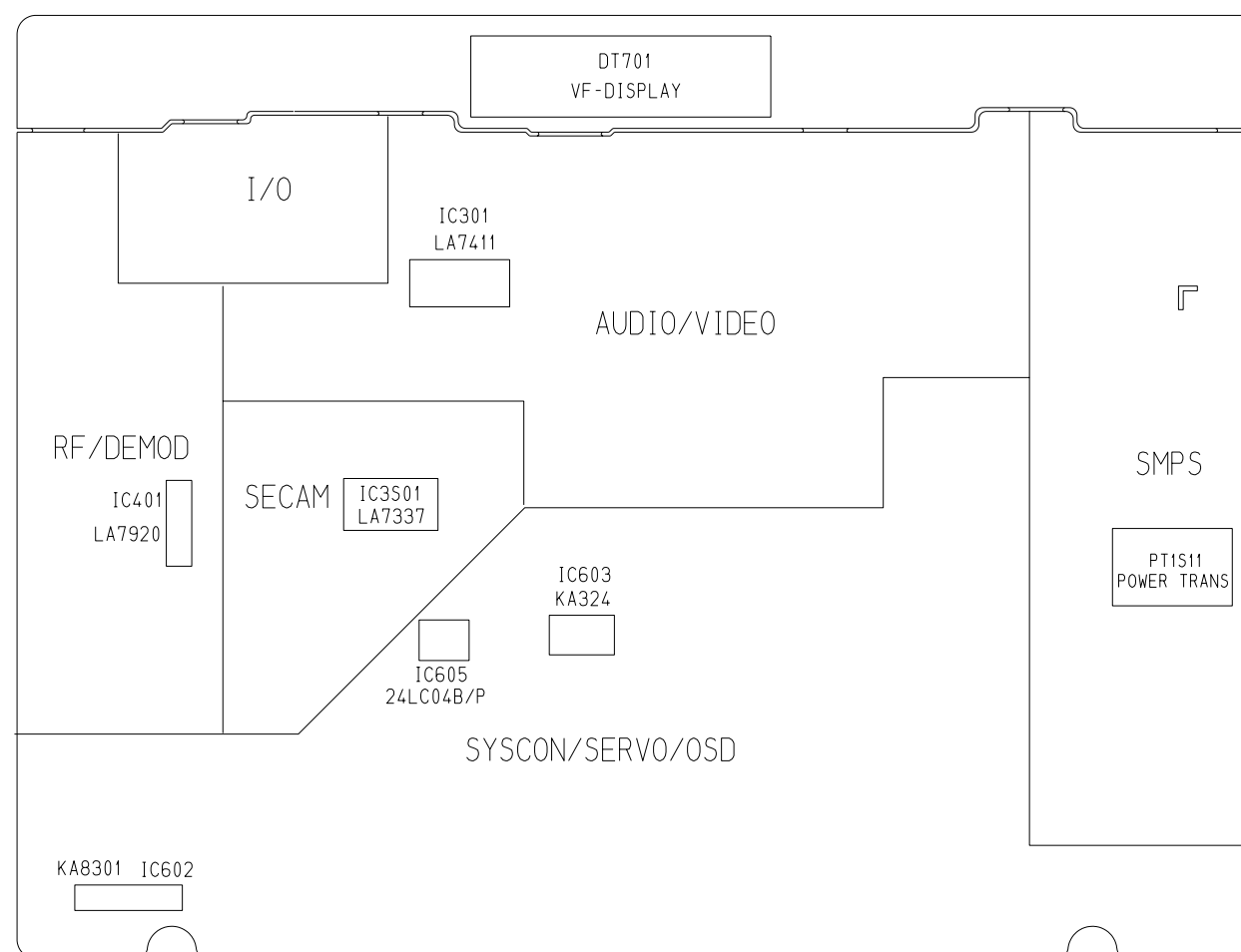
**Important safety notices :**

Components identified with the mark  have the special characteristics for safety. When replacing any of these components. Use only the same type.

◆ **Block Identification of Main PCB**

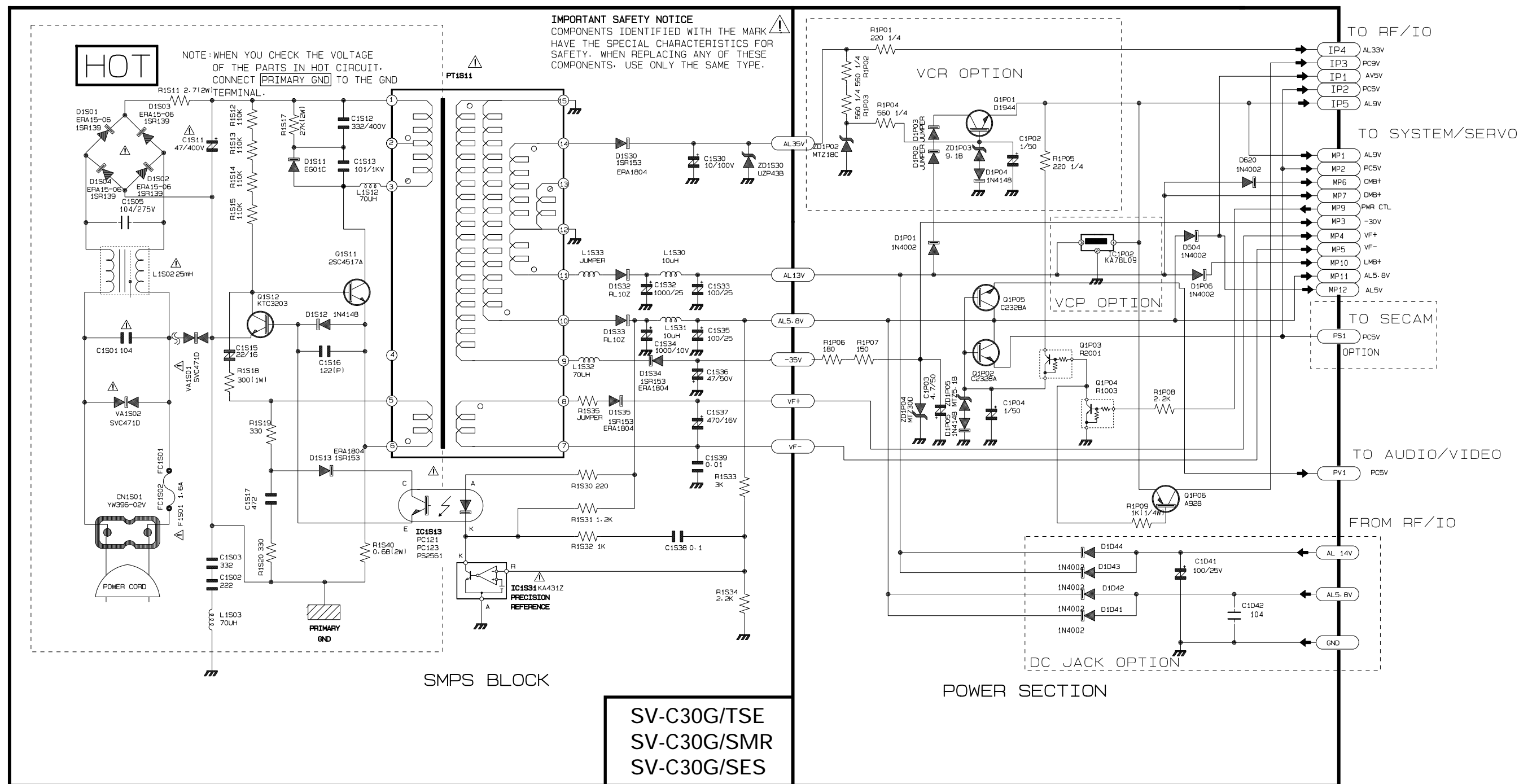


(Component Side)

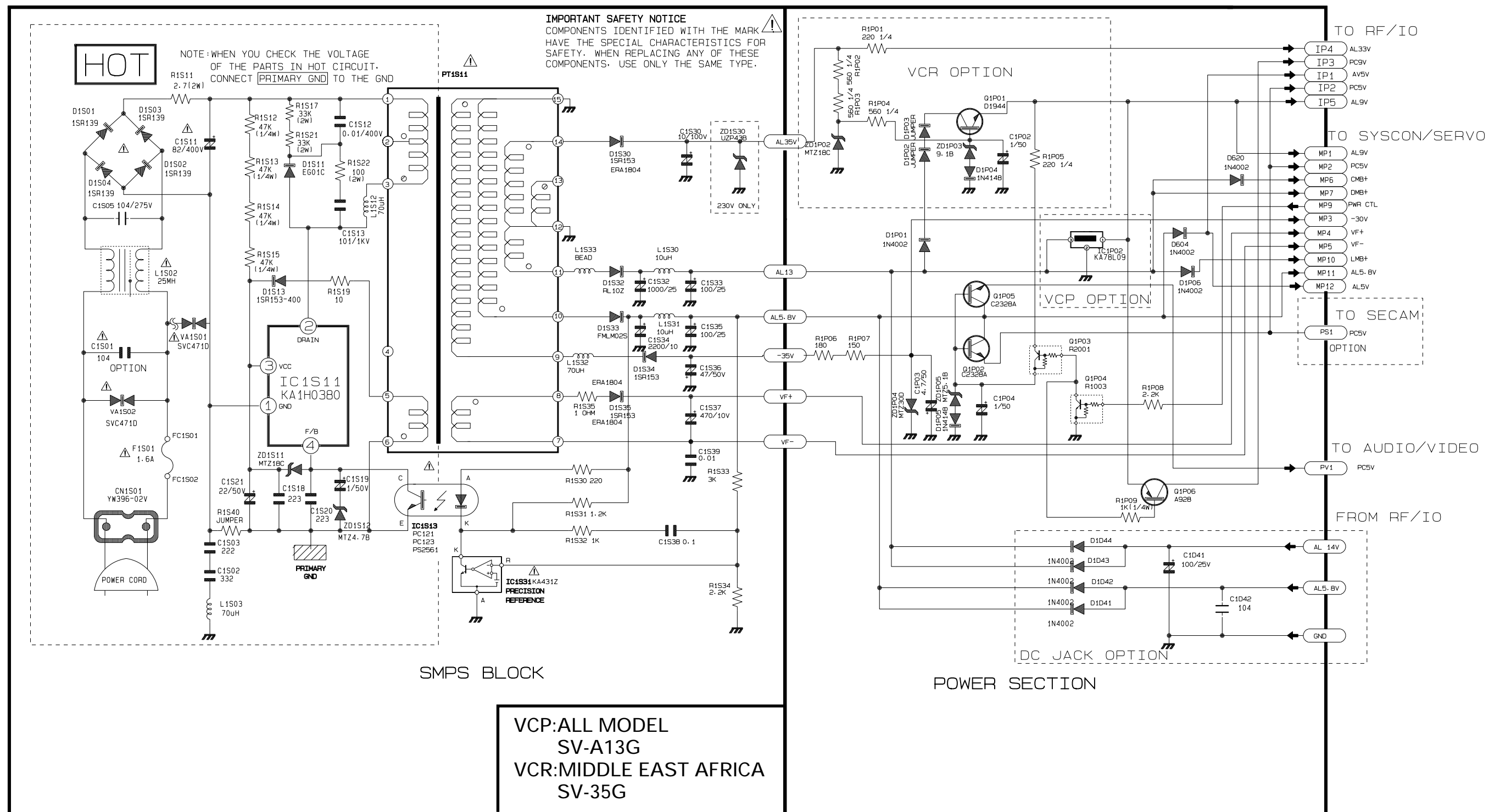


(Conductor Side)

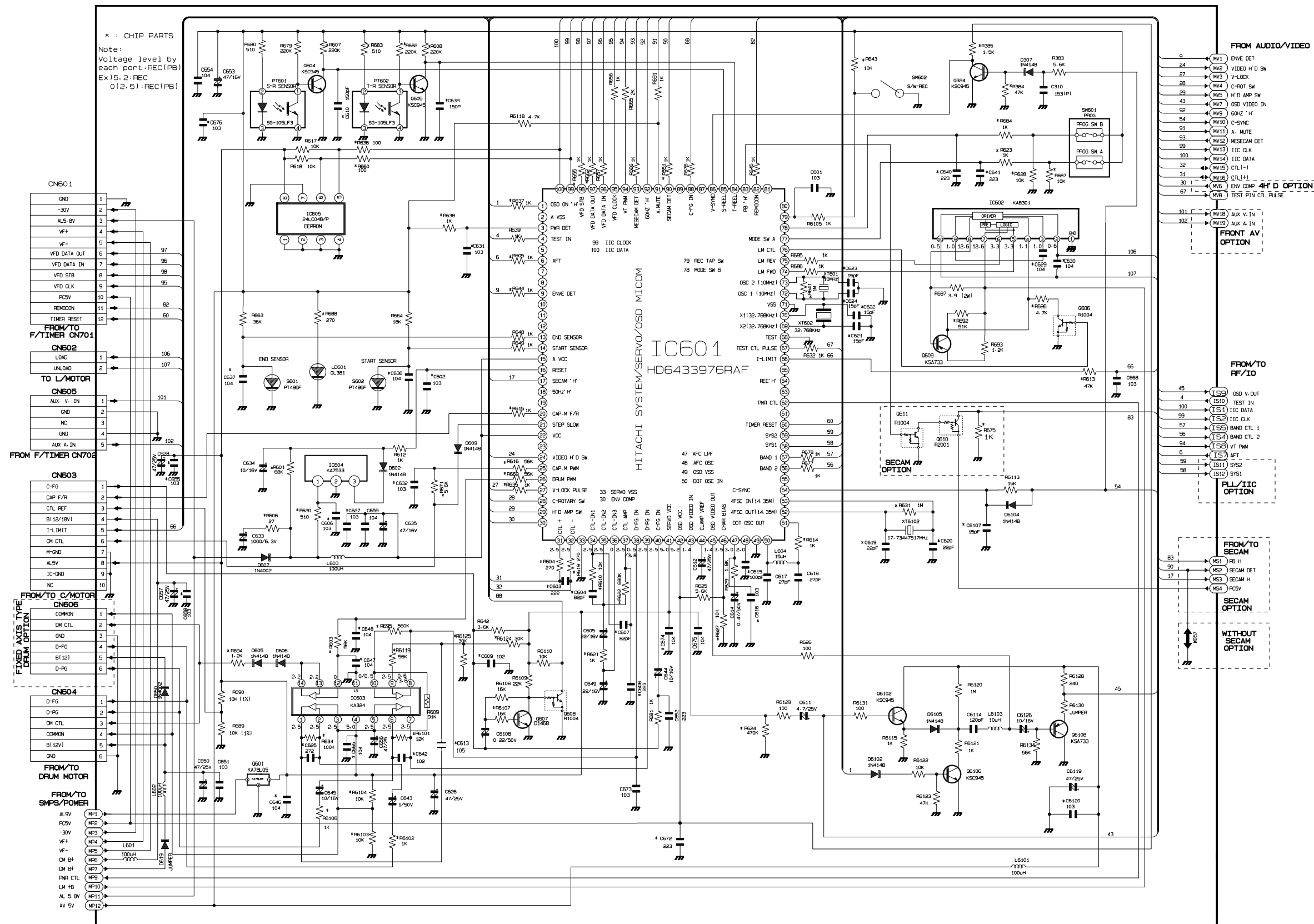
11-1 S.M.P.S/POWER(RCC)



### 11-2 S.M.P.S/POWER(FREE)

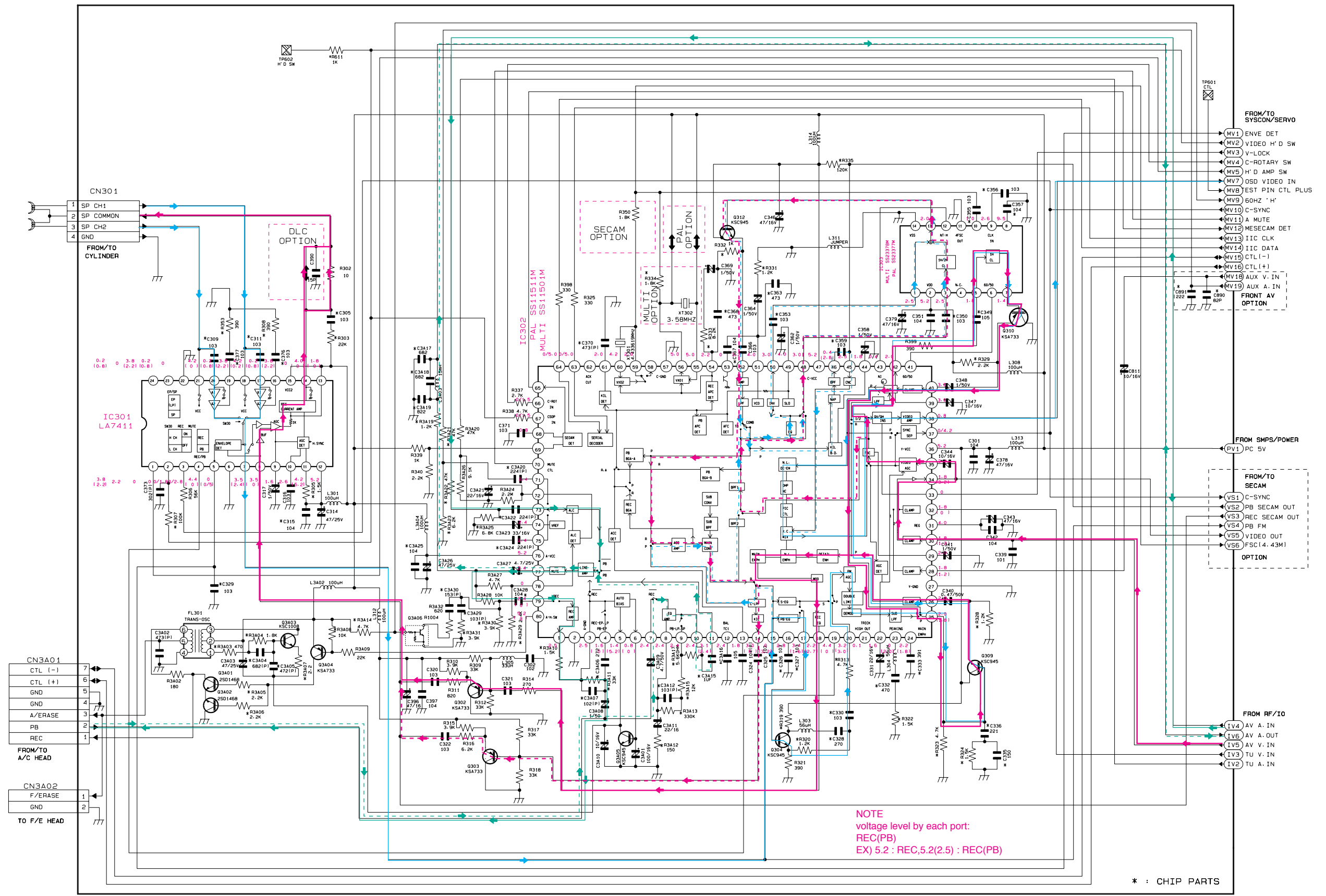


# 11-3 System Control/Servo



### 11-4 Audio/Video

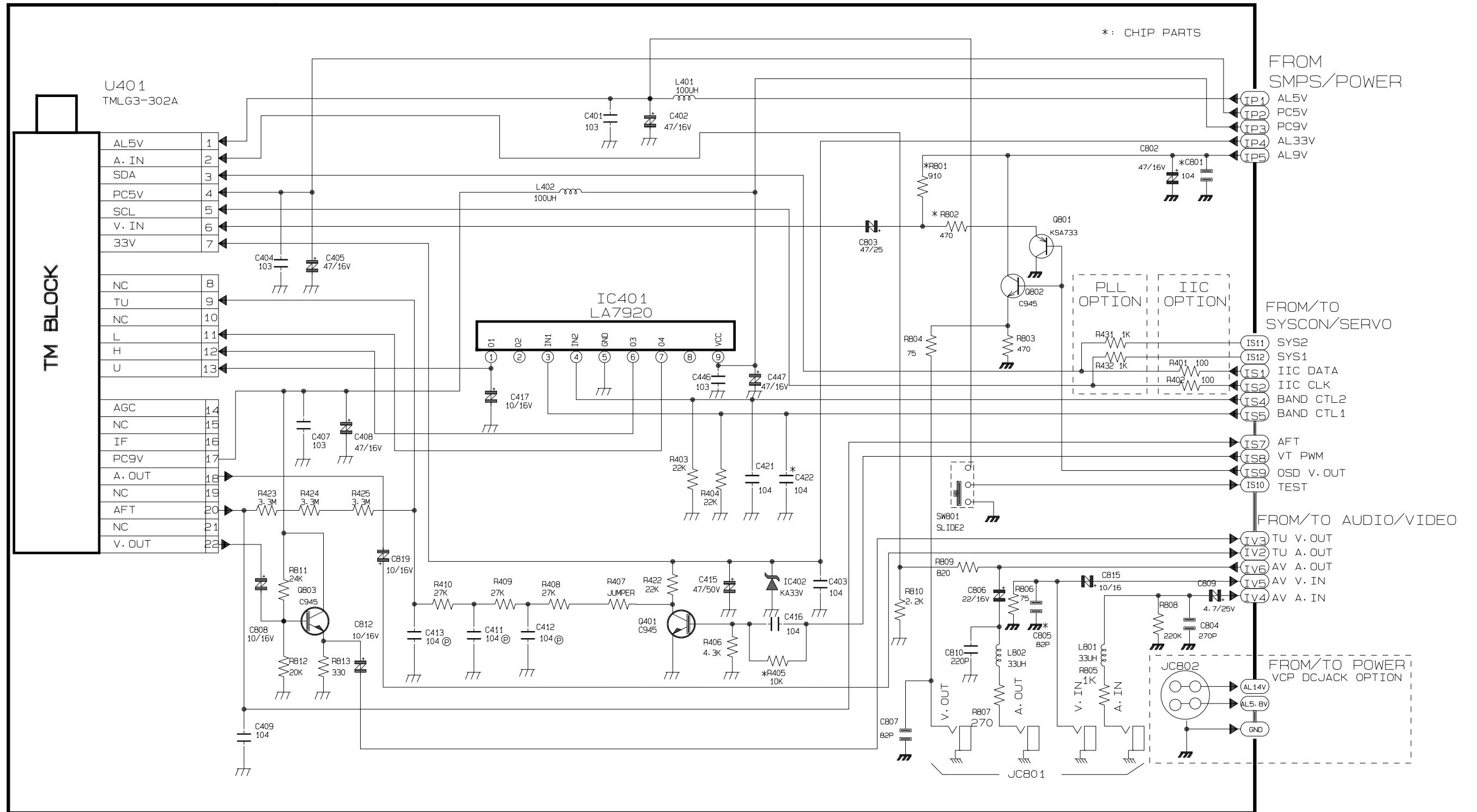
— REC Y PROCESS      — PB Y PROCESS      — REC LINEAR AUDIO  
- - - REC C PROCESS      - - - PB C PROCESS      - - - PB LINEAR AUDIO



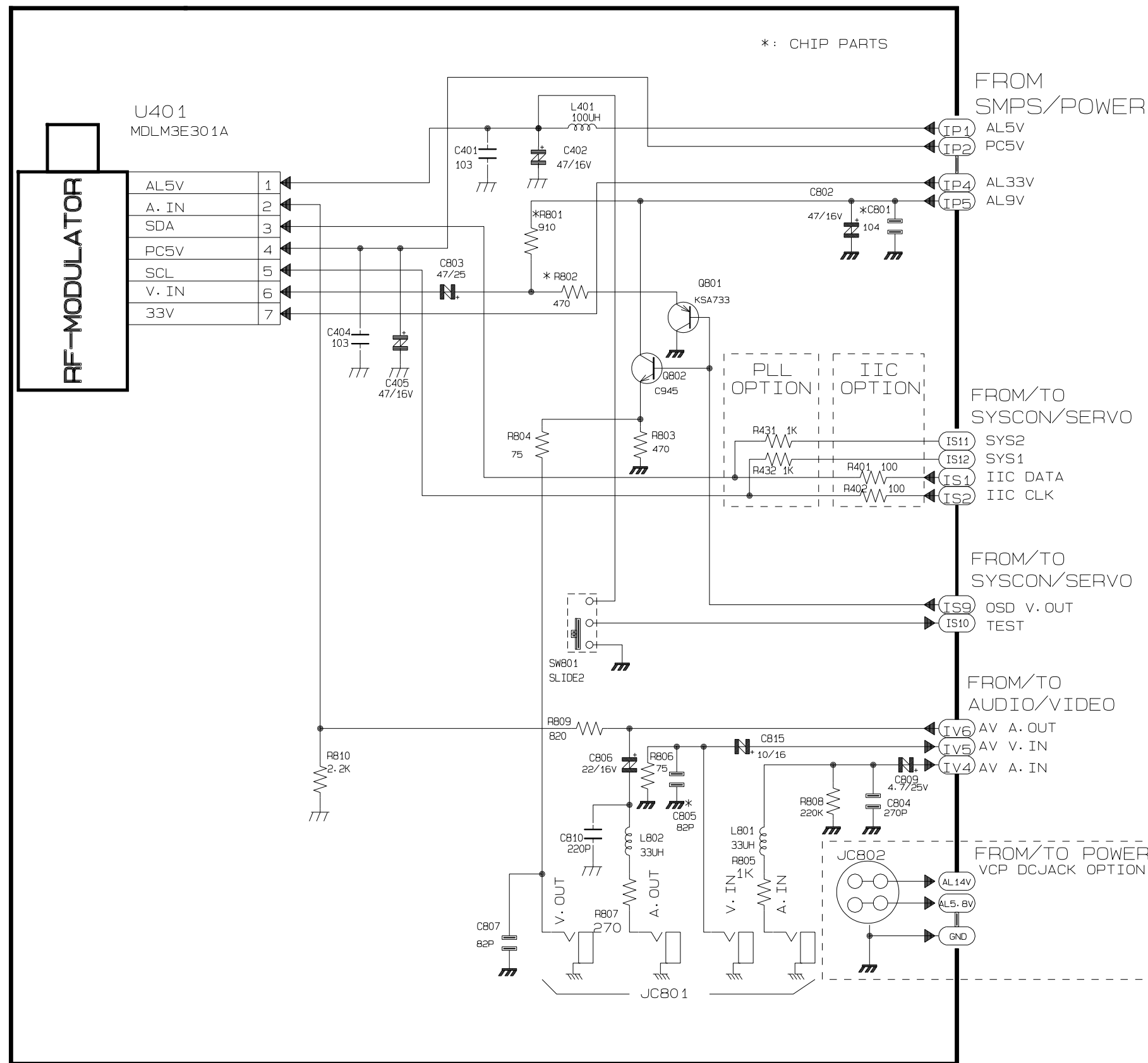
NOTE  
 voltage level by each port:  
 REC(PB)  
 EX 5.2 : REC,5.2(2.5) : REC(PB)

\* : CHIP PARTS

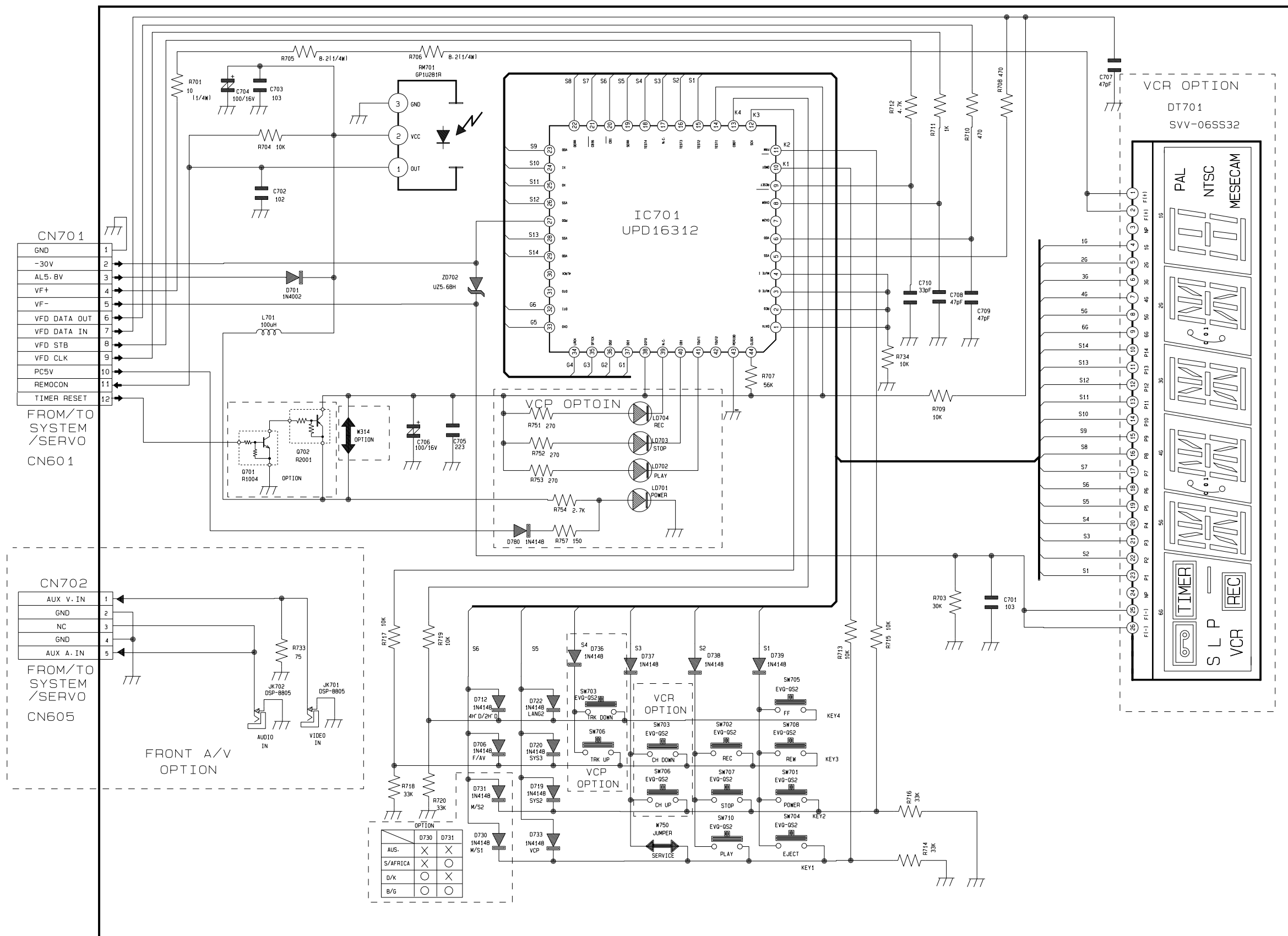
11-5 RF/IO(SV-A35G)



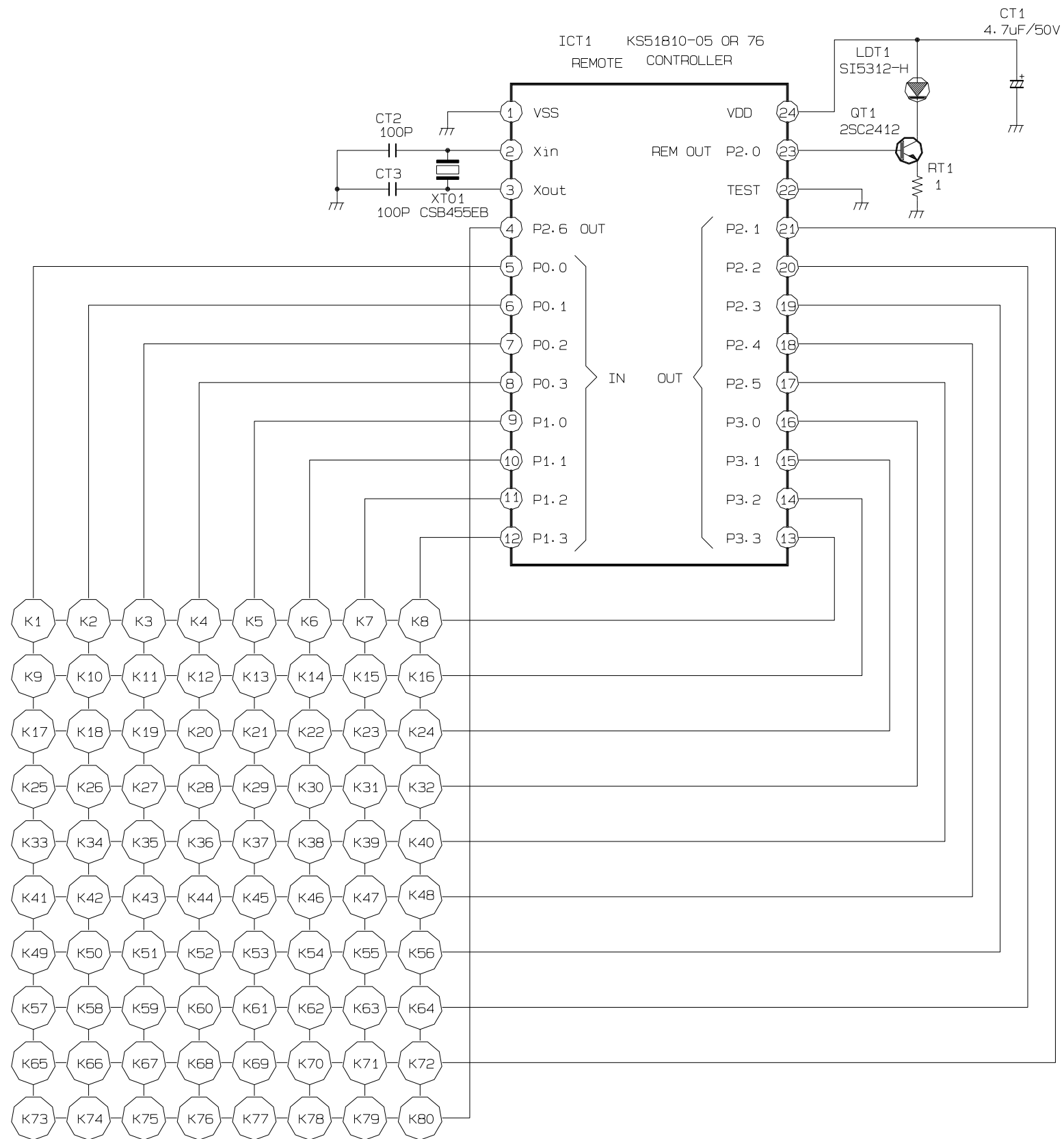
11-6 RF/IO(SV-A13G)



### 11-7 Function-Timer



### 11-8 Remote-Control



FUNCTION KEY			
K1	-	K41	REW
K2	TV/VCR	K42	PLAY
K3	POWER	K43	F.F
K4	-	K44	INDEX
K5	-	K45	-
K6	-	K46	OK
K7	TEST	K47	-
K8	INDEX	K48	-
K9	CH 1	K49	-
K10	CH 2	K50	CLEAR/RESET
K11	CH 3	K51	DISPLAY
K12	-	K52	MENU
K13	TRACKING UP	K53	SYSTEM
K14	TRACKING DOWN	K54	-
K15	A. DUB	K55	-
K16	-	K56	-
K17	CH 4	K57	EJECT
K18	CH 5	K58	D. ATR
K19	CH 6	K59	OUTPUT SEL.
K20	-	K60	-
K21	VCR+	K61	<
K22	SEARCH	K62	AFT
K23	-	K63	PICTURE
K24	CLOCK/COUNTER	K64	-
K25	CH 7	K65	INPUT SEL.
K26	CH 8	K66	SHIFT
K27	CH 9	K67	-
K28	-	K68	-
K29	-	K69	▷
K30	-	K70	-
K31	-	K71	SHUTTLE-
K32	-	K72	SHUTTLE+
K33	REC/OTR	K73	CH-DOWN
K34	STOP	K74	CH 0
K35	P/STILL	K75	CH-UP
K36	SLOW-DOWN	K76	SLOW+
K37	-	K77	VPS/PDC
K38	▽	K78	-
K39	△	K79	SP/LP
K40	-	K80	Q-PROGRAM