

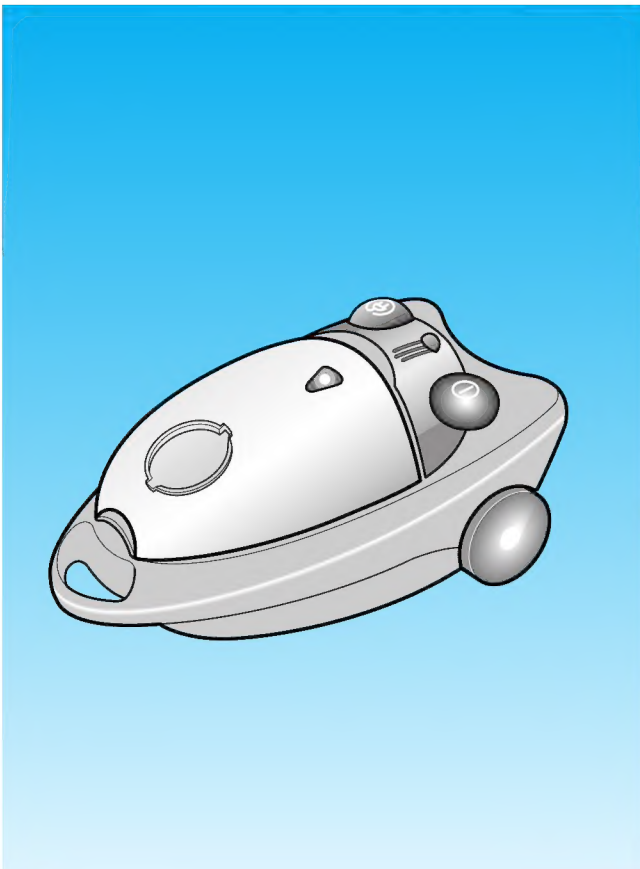


VACUUM CLEANER

VC-7700 SERIES

SERVICE *Manual*

VACUUM CLEANER



CONTENTS

1. Precautions
2. Specifications
3. Operating Instructions
4. Disassembly and Reassembly
5. Troubleshooting
6. Exploded Views and Parts List
7. Packing Diagram and Parts List
8. PCB Diagrams
9. Schematic Diagrams



© Samsung Electronics Co., Ltd. APRIL. 1998.
Printed in Korea.
Code No. DJ68-40152A

1. Precautions

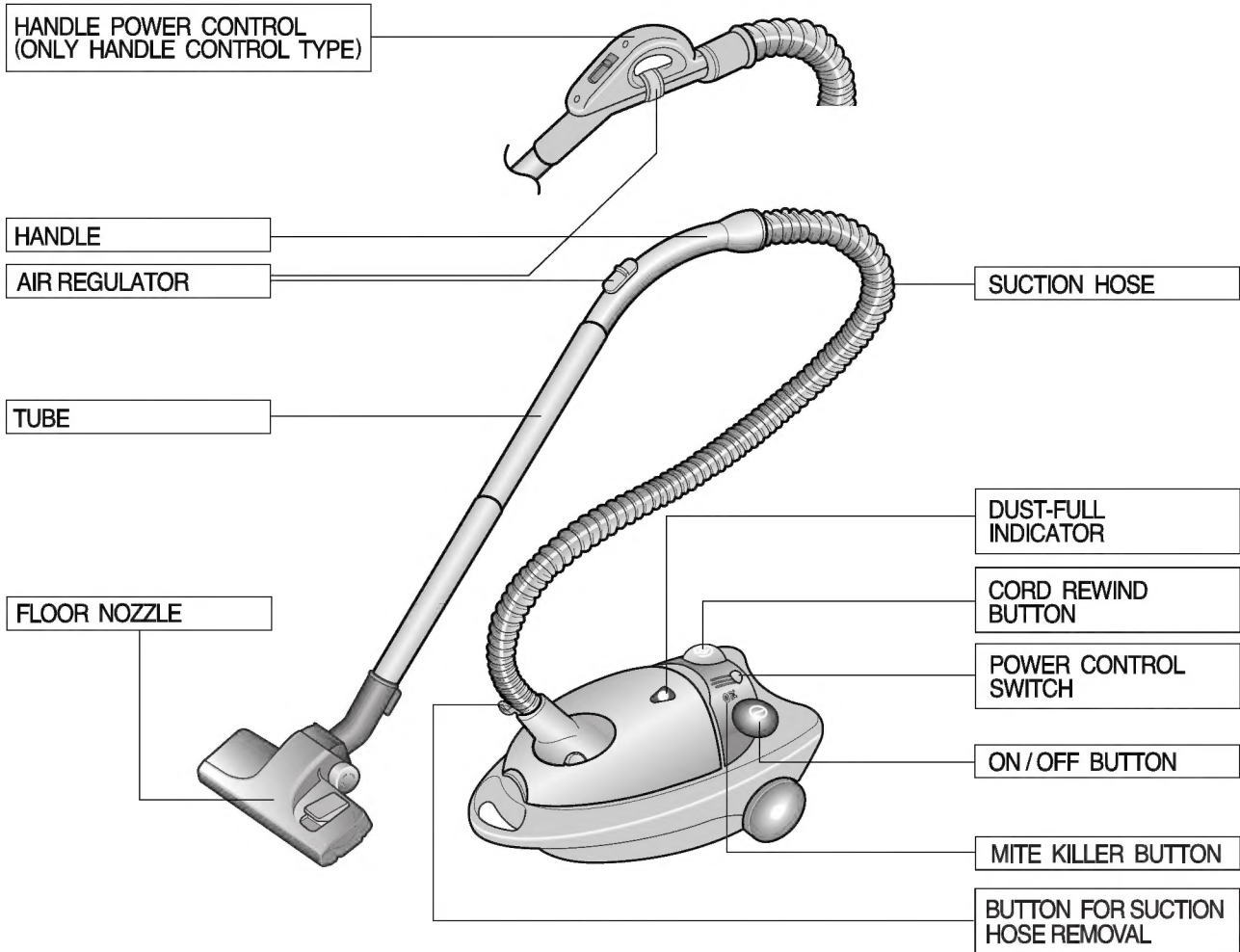
Technical service information contained here is supplied for use by qualified service personnel. Specifications are subject to change without notice.

1. Do not use the vacuum cleaner when rug or floor is wet.
2. Close supervision is necessary when any appliance is used by or near children.
Do not allow the vacuum cleaner to run unattended at any time.
3. Do not use the vacuum cleaner without a dust bag. Replace the dust bag frequently when picking up very fine material such as powder. Replace the dust bag before it is excessively full in order to maintain optimum performance.
4. Never use the vacuum cleaner to pick up matches, live ashes or cigarette butts.
Keep the vacuum cleaner away from stoves or heat source. Heat can deform and discolour the plastic parts of the unit.
5. Avoid picking up hard or sharp objects with the vacuum cleaner.
Do not stand on the hose assembly, put a weight on the hose or block the suction or exhaustion part.
6. Unplug the cleaner when not in use. Turn off the power switch before unplugging.
7. Grasp the plug firmly when removing it. To avoid damage to cord, plug, prongs or socket, always disconnect the cord from the electrical outlet before replacing the dust bag or servicing the cleaner.
8. The use of an extension cord is not recommended.
9. Repairs should be done only by an qualified service personnel.

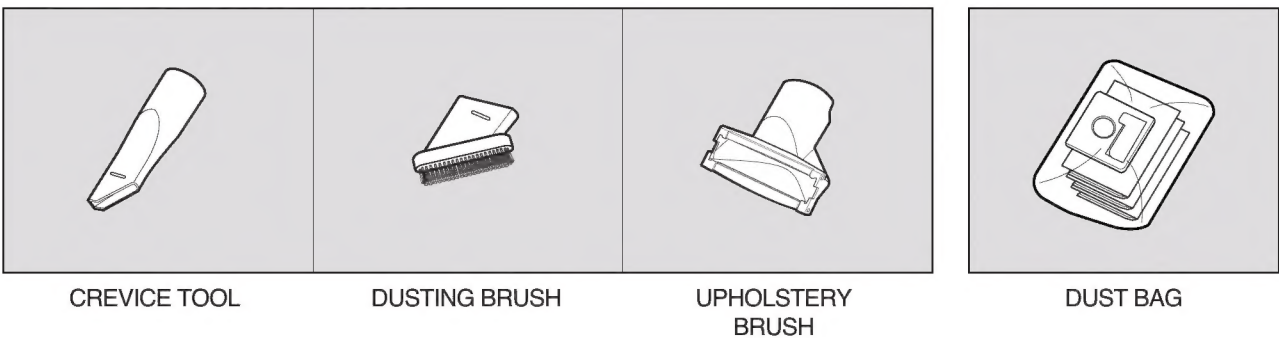
2. Specifications

Power Source	Look at the data plate on the bottom of cleaner	
Power Consumption		
Dimension	520mm(L)x290mm(W)x240mm(H)	
Weight	VC-7715H	VC-7715V, 7714V
	Gross : 10 Kg Net : 6.1Kg (5.5) excluding all accessories	Gross : 9.4Kg Net : 6.1Kg (5.5) excluding all accessories
Accessories	Floor nozzle, Crevice tool, Dusting brush, Upholstery brush, Pipe, Hose.	

3. Operating Instructions



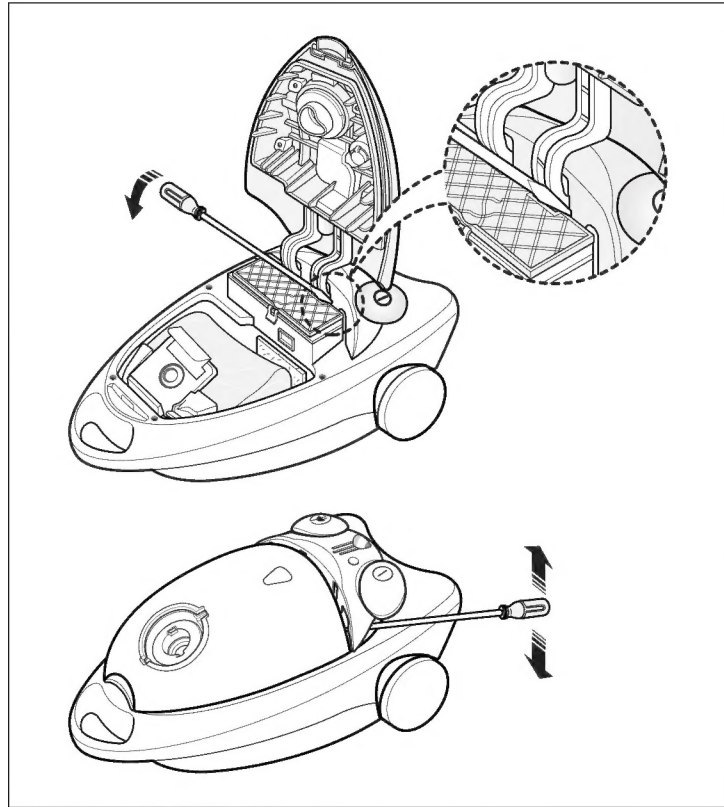
ACCESSORIES



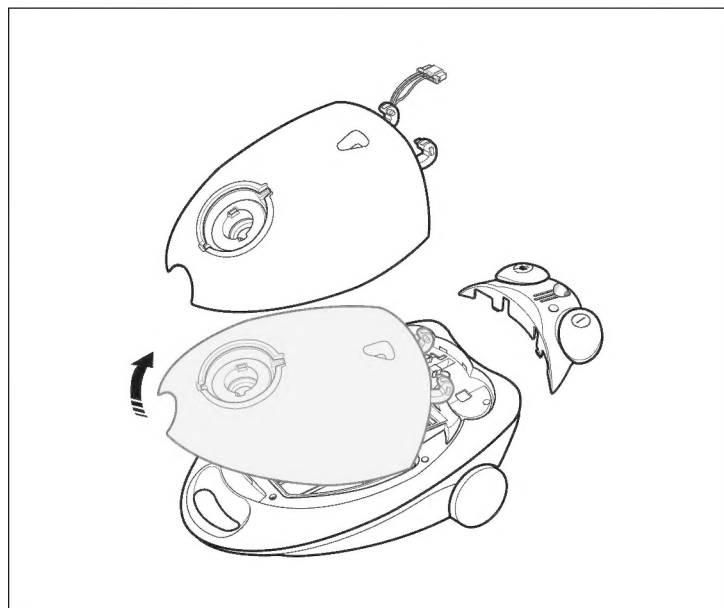
4. Disassembly and Reassembly

4-1 Removal of Panel & COVER-DUST ASS'Y

- 1) Detach the Panel with a flat head screw driver.

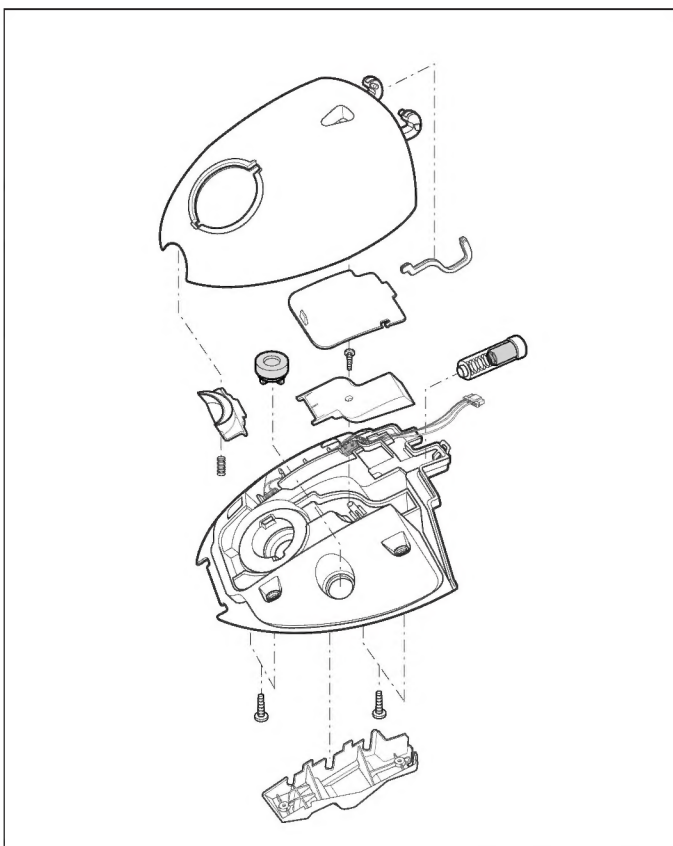


- 2) Separate WIRE ASS'Y From the wafer on main body then detach COVER-DUST ASS'Y



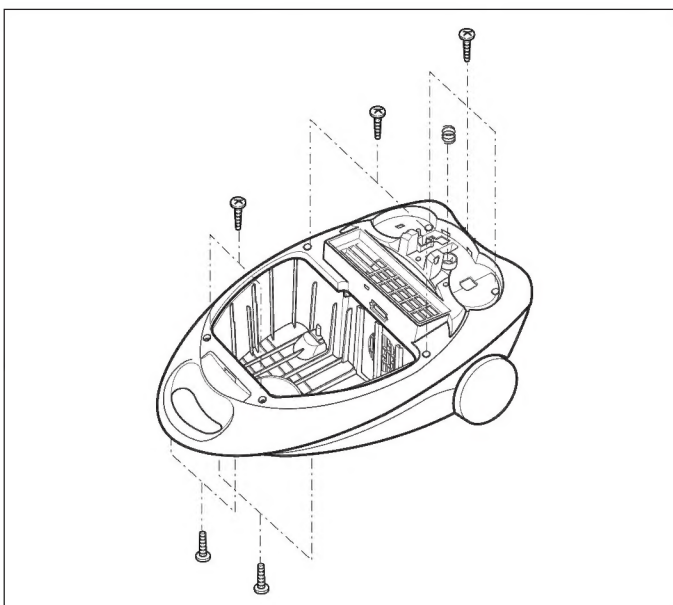
4-2 Disassembly of COVER-DUST ASS'Y

Loosen the four screws and detach INDICATOR ASS'Y, CAP-SLIDE and WIRE ASS'Y.



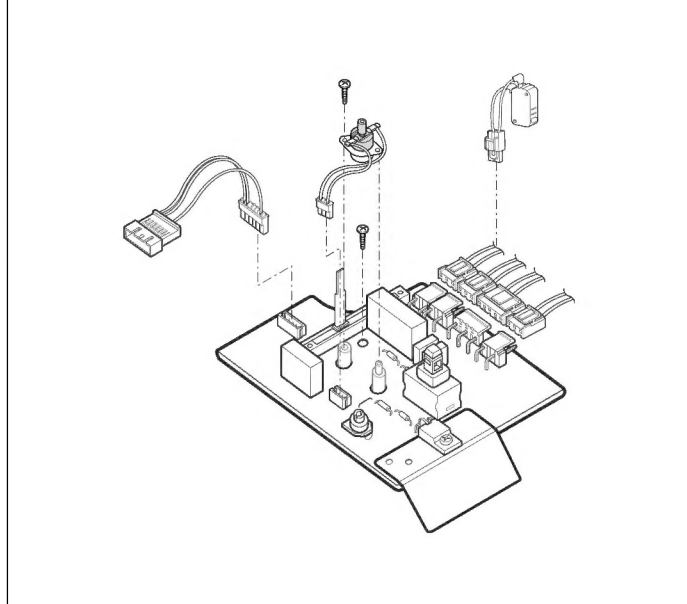
4-3 Removal of Main Body

Release 11 screws and lift the main body upward.



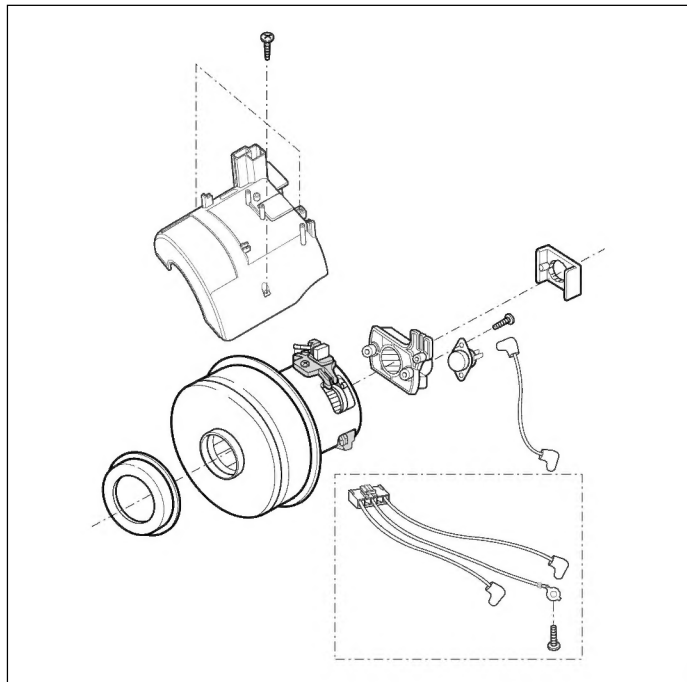
4-4 Removal of Main PCB Assembly

Separate the WIRE ASS'Y from the MAIN-PCB ASS'Y and loosen the screw.



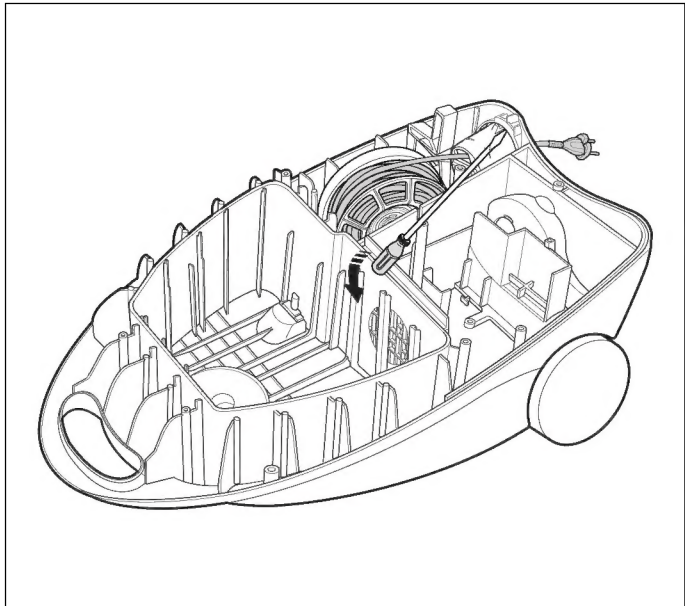
4-5 MOTOR replacement

- 1) Loosen the four screws and separate CASE-MOTOR,FRONT from the body.
- 2) Loosen the screw and separate MOTOR and ASS'Y CONNECTOR MOTOR.

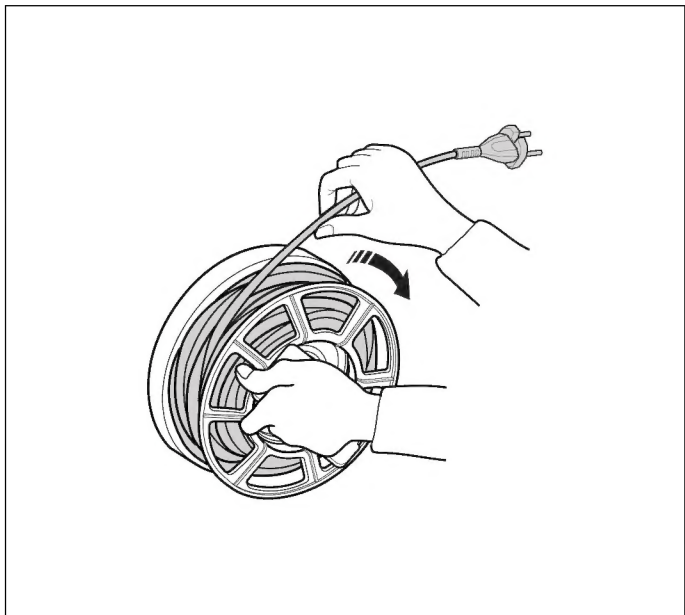


4-6 Cord Reel Replacement

- 1) Detach the guard-cord with a flat head screw driver.



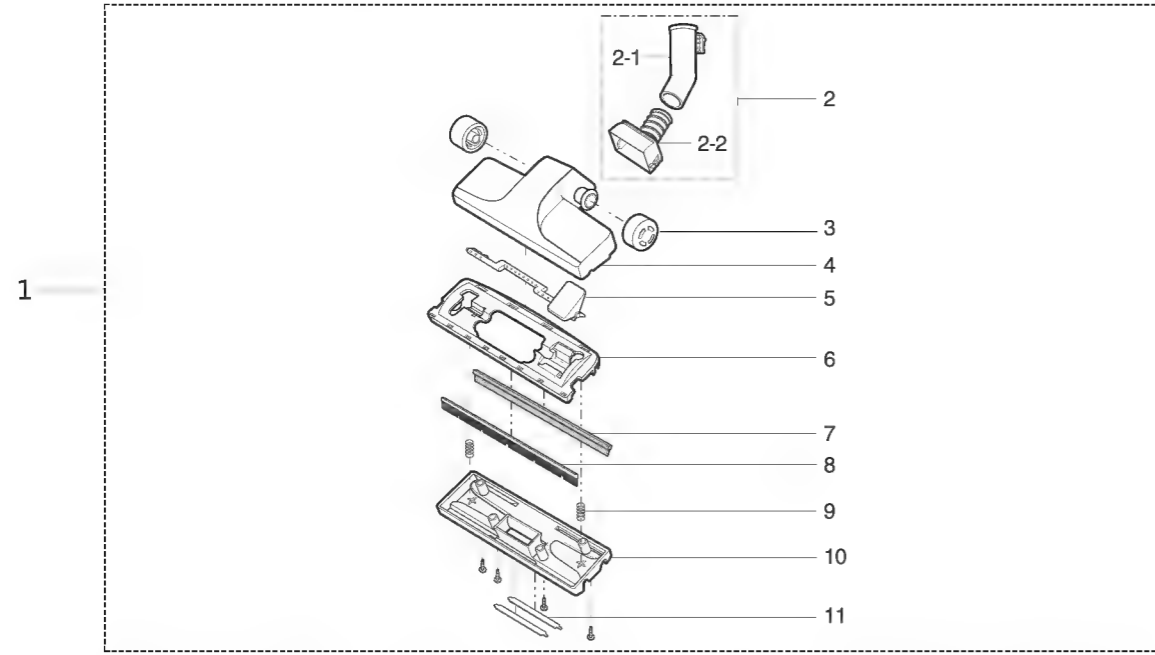
- 2) Separate the CORD-REEL from the body.
- 3) Hold the body reel and wind the power cord to the 5 times.
- 4) When the winding is completed, immediately assemble the CORD-REEL to the body.



5. Troubleshooting

Problem	Check	Remedy
<ul style="list-style-type: none"> • Motor does not run when turned on 	<ul style="list-style-type: none"> • Check that the plug is securely inserted into outlet • Check that the carbon-brush is not severely worn • Check that the hook in the carbon-brush is separated • Check that the power switch is turned on • Check that the contact at the cord-reel area is ok 	<ul style="list-style-type: none"> • Plug in firmly • Push it completely into the brush holder or replace it • Replace if motor does not run when turned on • Replace it if broken
<ul style="list-style-type: none"> • Slide control does not adjust 	<ul style="list-style-type: none"> • Check that the slide switch is not broken • Check that the triac is not shorted • Check that the base plate is not broken 	<ul style="list-style-type: none"> • Replace it • Replace it • Replace it
<ul style="list-style-type: none"> • Cord does not rewind fully 	<ul style="list-style-type: none"> • Check that the cord is not twisted or wound unevenly • Check that the spring is not weak or broken 	<ul style="list-style-type: none"> • Pull the cord out 2~3m and push down the rewinding button • Replace • Replace the power cord if it does not fully rewind
<ul style="list-style-type: none"> • Cord rewinds by itself 	<ul style="list-style-type: none"> • Check that the lever is not broken 	<ul style="list-style-type: none"> • Replace it
<ul style="list-style-type: none"> • Suction power is weak 	<ul style="list-style-type: none"> • Check that the floor nozzle or the hose is clogged with a large object • Check that the cover is attached firmly to the body • Check that the hose is firmly inserted 	<ul style="list-style-type: none"> • Remove the object • Attach the cover properly • Insert the hose firmly
<ul style="list-style-type: none"> • The needle of the dust indicator is in the red position. 	<ul style="list-style-type: none"> • Check that the floor nozzle or the hose is not clogged with a large object • Check that the spring of the dust indicator is ok • Check that the filter sponge is clean 	<ul style="list-style-type: none"> • Remove the object • Replace the spring • Clean the sponge

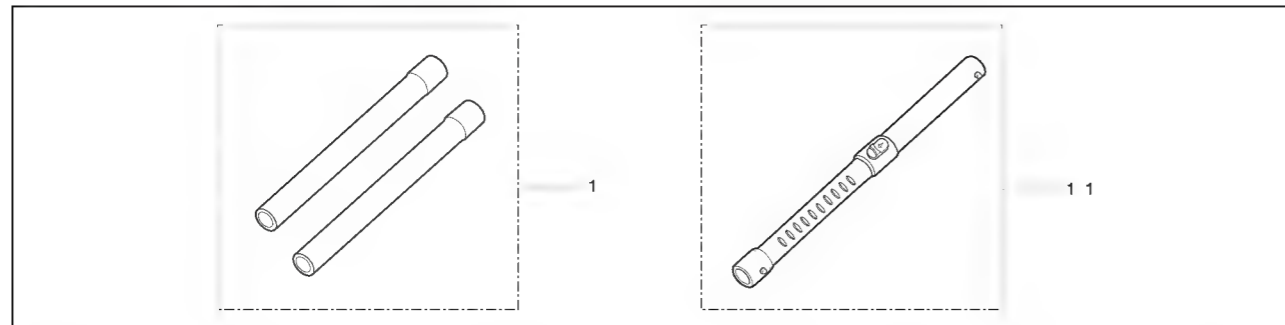
6-2 Assembly-Brush



Location No.	Code No.	Description	Specification	Qty	Remarks
1	DJ 67-60186B	ASSY-BRUSH	ASSY	1	
2	DJ 93-10122B	ASSY-PIPE C/BRUSH	ASSY	1	
2-1	DJ 67-50199B	PIPE C/BRUSH	PP(S/GRY)	1	•
2-2	DJ 61-60115B	NECK-HOLDER	PP(S/GRY)	1	•
3	DJ 66-70223B	WHEEL-BRUSH ASSY	PVC(S/GRY)	2	
4	DJ 72-30310B	COVER-BRUSH	PP(S/GRY)	1	
5	DJ 66-50150B	LEVER-FOOT	ABS(SUB GRY)	1	
6	DJ 67-20161B	BASE-BRUSH	ABS(S/GRY)	1	
7	DJ 67-60176A	BRUSH-NOZZLE	ABS+URETAN	1	
8	DJ 67-10187B	HOLDER-BRUSH	ASSY	1	•
9	DJ 61-70179A	SPRING-BRUSH	HSWR	2	
10	DJ 72-10238B	BODY-BRUSH	PE(SUB-GRAY)	1	
11	DJ 63-70117A	SPACER-BRUSH	PVC+WOOL	2	

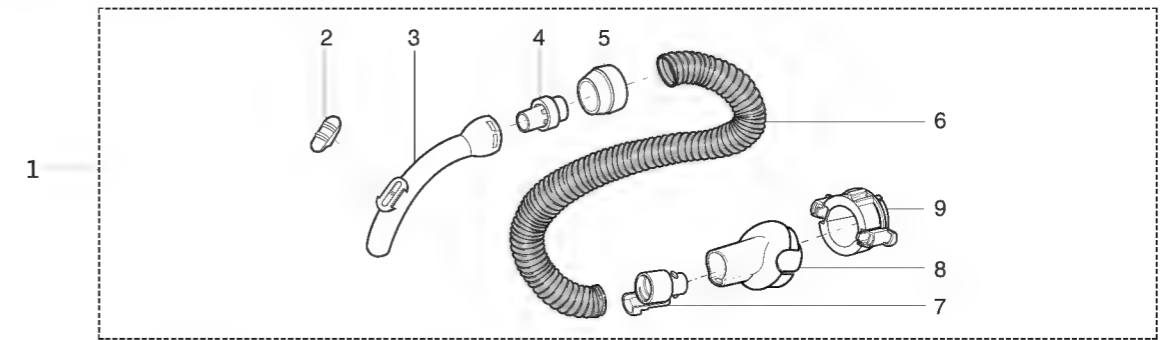
• : SNA (SERVICE NOT AVAILABLE)

6-3 Assembly-Pipe



Location	Code No.	Description	Specification	Qty	Remarks
1	DJ 67-50146H	PIPE-STEEL	STEEL	1	
2	DJ 67-50170B	PIPE-T/STEEL	TELESCOPIC	1	

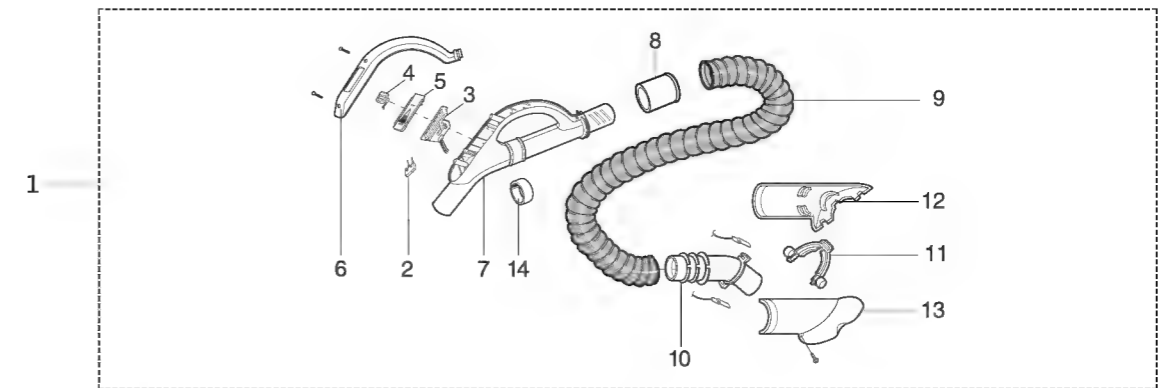
6-4 Assembly Hose



MODEL : VC-7715V, VC-7714V, VC-7715, VC-7714

Location No.	Code No.	Description	Specification	Qty	Remarks
1	DJ 67-40156B	HOSE-ASSY	ASSY	1	
2	DJ 61-20100B	GUIDE-AIR	ABS (SUB/GRY)	1	
3	DJ 67-50104B	PIPE-HANDLE	PP (SUB/GRY)	1	
4	DJ 67-10142B	HOLDER-HOSE	PP (SUB/GRY)	1	
5	DJ 67-30139B	ENCLOSURE-HOSE	PP (SUB/GRY)	1	
6	DJ 67-40102A	HOSE-WIRELESS	EVA (SUB/GRY)	1	
7	DJ 67-10144B	HOLDER-HOSE	PP (SUB/GRY)	1	
8	DJ 72-10232B	BODY-CLAMPER	PP (SUB/GRY)	1	•
9	DJ 64-10902B	KNOB-CLAMPER	PP (SUB/GRY)	1	•

• : SNA (SERVICE NOT AVAILABLE)



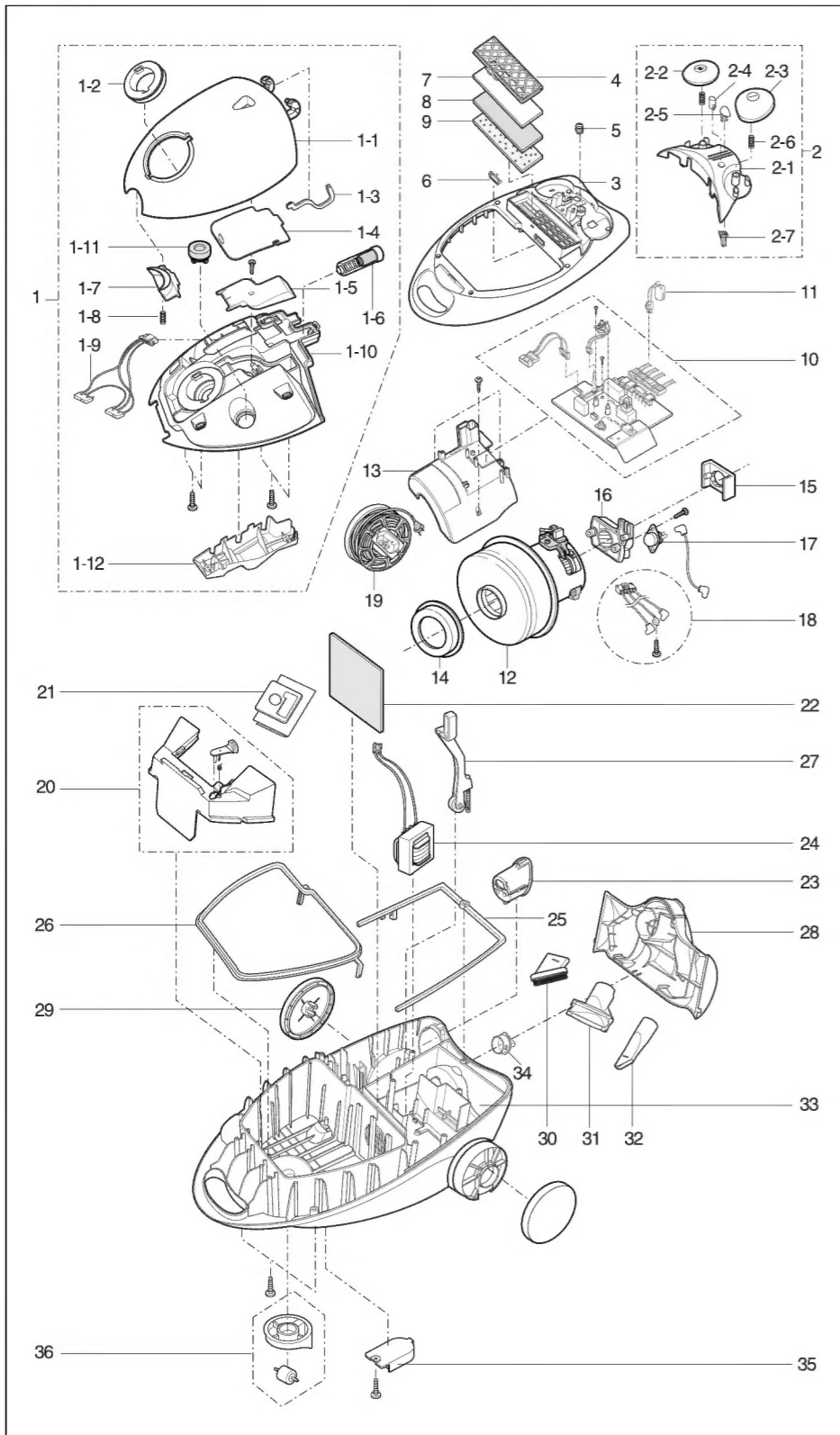
MODEL : VC-7700H

Location No.	Code No.	Description	Specification	Qty	Remarks
1	DJ 67-40157B	HOSE-ASSY	S/GRY	1	
2	3405-000183	SWITCH-MICRO	125V, 5A	1	
3	DJ 41-20184A	PBA-HANDLE		1	
4	DJ 64-10131A	KNOB-SLIDE	MS.NTR	1	
5	DJ 72-20124A	PANEL-SLIDE, PB	ABS(S/GRY)	1	
6	DJ 72-30291A	COVER-H/GRIP	ABS(S/GRY)	1	
7	DJ 72-10227A	BODY-H/GRIP	ABS(S/GRY)	1	•
8	DJ 72-30136B	ENCLOSURE-HOSE	PP(S/GRY)	1	•
9	DJ 67-40158B	HOSE-WIRE	L 1.7MT	1	•
10	DJ 67-50197B	PIPE-CLAMPER	ABS(S/GRY)	1	•
11	DJ 64-10193B	KNOB-CLAMPER	ABS(S/GRY)	1	•
12	DJ 72-10233B	BODY-CLAMPER, L	ABS(S/GRY)	1	•
13	DJ 72-10234B	BODY-CLAMPER, R	ABS(S/GRY)	1	•
14	DJ 61-20131B	GUIDE-AIR	PP(S/GRY)	1	

• : SNA (SERVICE NOT AVAILABLE)

6. Exploded Views and Parts List

6-1 Assembly- Body



MODEL : COMMON PART

Location No.	Code No.	Description	Specification	Qty	Remarks
1-3	DJ 72-30303A	COVER-WIRE	PP M/GRY	1	
1-6	DJ 66-60139A	INDICATOR-ASSY	ASSY	1	
1-8	DJ 61-70149A	SPRING C/DUST	HSWR	1	
1-10	DJ 72-30305A	COVER-DUST LOW	PP M/GRY	1	
1-11	DJ 66-60134D	DAMPER-ASSY	ASSY	1	
1-12	DJ 72-30311A	COVER-DAMPER	ASSY	1	
2-2	DJ 64-10189A	BUTTON-C/REEL	PP M/LIGHT	1	
2-3	DJ 64-10190A	BUTTON-SWITCH	PP M/LIGHT	1	
2-6	DJ 61-70145B	SPRING-BUTTON	HSWR	2	
3	DJ 72-10236A	BODY-MID	PP M/GRY	1	
4	DJ 72-70135A	GRILLE-FILTER	PP M/GRY	1	
13	DJ 67-20160A	CASE-MOTOR, F	PP NTR	1	
14	DJ 73-10176A	CUSHION-MOTOR, F	NR FOAM	1	
15	DJ 73-10177A	CUSHION-MOTOR, B	NR FOAM	1	
16	DJ 61-30137A	SUPPORTER-MOTOR	PP NTR	1	
17	DJ 47-10106A	THERMO-BIMETAL	125V 12A 90C	1	
18	DJ 39-20260A	W/HARNESS-MOTOR		1	
19	DJ 67-70125B	CORD-REEL ASSY	CP2 4.8PI	1	
	DJ 67-70125C		CP2 4.0PI	1	
	DJ 67-70125D		BF3	1	
20	DJ 61-30136A	SUPPORT-FILTER ASSY	ASSY	1	
21	DJ 74-10123A	BAG-PAPER		1	
22	DJ 63-40106C	FILTER-GRILLE		1	
23	DJ 72-50123A	GUARD-CORD	POM M/GRY	1	
25	DJ 72-60130A	PACKING-BAND	PVC M/GRY	1	
26	DJ 72-60133A	PACKING-DUST	PVC M/GRY	1	
27	DJ 66-50149A	LEVER-BRAKE ASSY	ASSY	1	
28	DJ 72-30302A	COVER-ATTACHMENT	PP M/GRY	1	
29	DJ 66-70219A	WHEEL-BACK	PP M/GRY	2	
30	DJ 67-60181A	BRUSH-DUSTING	PP S/GRY	1	
31	DJ 67-60182A	BRUSH-UPHOLSTERY	PP S/GRY	1	
32	DJ 67-50196A	PIPE-CREVICE	PP S/GRY	1	
33	DJ 72-10235A	BODY-BASE	PP M/GRY	1	
34	DJ 67-30165A	CAP-BODY	ABS M/GRY	1	
35	DJ 61-20166A	GUIDE-HANGER	ABS M/GRY	1	
36	DJ 66-70227B	ROLLER-FRONT ASSY		1	

● : SNA (SERVICE NOT AVAILABLE)

MODEL : VC-7715H (HANDLE-CONTROL)

Location No.	Code No.	Description	Specification	Qty	Remarks
1	DJ 72-30307A	COVER-DUST ASSY	M/GREEN	1	
1-1	DJ 72-30304B	COVER-DUST	ABS M/GREEN	1	
1-2	DJ 61-20163A	GUIDE-TURNING	ABS BLACK	1	
1-4	DJ 67-30166B	CAP-SLIDE	ABS M/GREEN	1	
1-5	DJ 61-20161A	GUIDE-AIR	PP M/GRY	1	
1-7	DJ 61-10116B	CLAMPER-DUST	ABS M/GREEN	1	
1-9	DJ 39-20259A	W/HARNESS-C/DUST		1	
2	DJ 72-20134A	PANEL-CONTROL ASSY	ASSY M/GREEN	1	
2-1	DJ 72-20132B	PANEL-CONTROL	ABS M/GREEN	1	
2-4	DJ 64-10194A	BUTTON-MITE	ABS M/LIGHT	1	
5	DJ 61-70192A	SPRING-KNOB	HSWR	1	
6	DJ 73-20109A	SEAL-DUST	PVC M/GRY	1	
7	DJ 63-40167A	FILTER-GRILLE	PP+HEPA	1	
8	DJ 63-40170B	FILTER-GRILLE	1T WHITE	1	
10	DJ 41-20188B	PBA-MAIN		1	
	DJ 31-30114D		220V	1	
12	DJ 31-30114B	MOTOR	230V	1	
	DJ 31-30114E		240V	1	
24	DJ 27-40106A	COIL-HARMONIC		1	

NOTE: Select the appropriate part number, depending on model.
Example: Dust-cover and cord-reel assy.

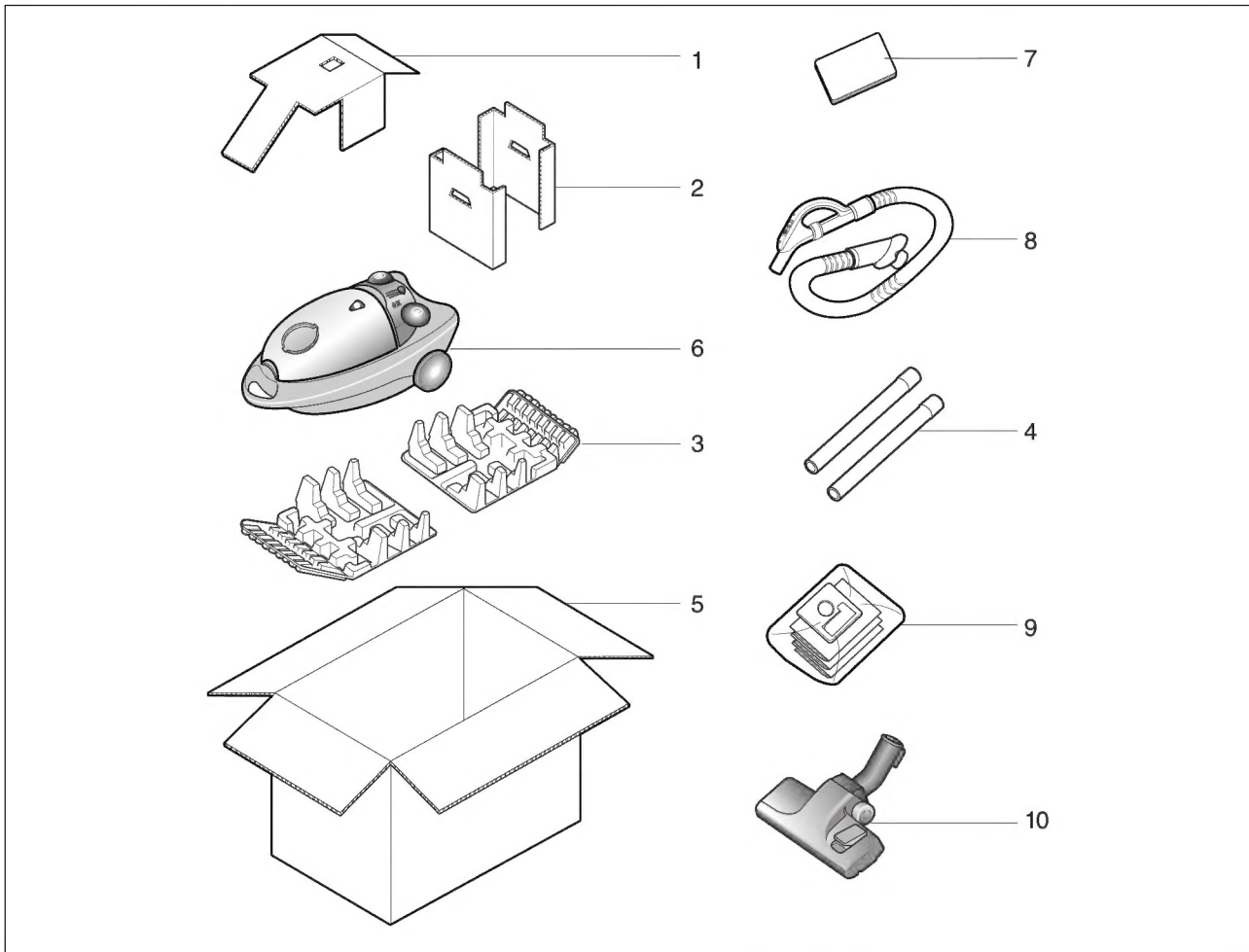
MODEL : VC-7715V, VC-7714V (VOLUME-SLIDE)

Location No.	Code No.	Description	Specification	Qty	Remarks
1	DJ 72-30306B	COVER-DUST ASSY	FANTASY ORANGE	1	
	DJ 72-30306A		VIO BLUE	1	
1-1	DJ 72-30304C	COVER-DUST	FANTASY ORANGE	1	
	DJ 72-30304A		VIO BLUE	1	
1-2	DJ 61-20162A	GUIDE-TURNING	ABS BLACK	1	
1-4	DJ 67-20166C	CAP-SLIDE	FANTASY ORANGE	1	
	DJ 67-30166A		VIO BLUE	1	
1-5	DJ 61-20161A	GUIDE-AIR	PP M/GRY	1	
1-7	DJ 61-10116C	CLAMPER-DUST	FANTASY ORANGE	1	
	DJ 61-10116A		VIO BLUE	1	
1-9	DJ 39-20257A	W/HARNESS-C/DUST		1	
2	DJ 72-20135B	PANEL-CONTROL ASSY	FANTASY ORANGE	1	
	DJ 72-20135A		VIO BLUE	1	
2-1	DJ 72-20131B	PANEL-CONTROL	FANTASY ORANGE	1	
	DJ 72-20131A		VIO BLUE	1	
2-4	DJ 64-10194A	BUTTON-MITE	ABS M/LIGHT	1	
2-5	DJ 64-10191A	KNOB-SLIDE	ABS M/GRY	1	
2-7	DJ 61-50118A	FIXER-KNOB	ABS M/GRY	1	
6	DJ 73-20109A	SEAL-DUST	PVC M/GRY	1	
7	DJ 63-40165A	FILTER-MICRO	MICRO	1	
8	DJ 63-40166A	FILTER-GRILLE	PE SPONGE 6T	1	
9	DJ 63-40170A	FILTER-GRILLE	3T BLACK	1	
10	DJ 41-20188A	PBA-MAIN		1	
11	DJ 39-20253B	W/HARNESS-SWITCH		1	
	DJ 31-30114D		220V	1	
	DJ 31-30114B	MOTOR	230V	1	
	DJ 31-30114E		240V	1	
24	DJ 27-40106A	COIL-HARMONIC		1	

MODEL : VC-7715, VC-7714 (ON/OFF)

Location No.	Code No.	Description	Specification	Qty	Remarks
1	DJ 72-30306G	COVER-DUST ASSY	FANTASY ORANGE	1	
	DJ 72-30306H		VIO BLUE	1	
1-1	DJ 72-30304C	COVER-DUST	FANTASY ORANGE	1	
	DJ 72-30304A		VIO BLUE	1	
1-2	DJ 61-20162A	GUIDE-TURNING	ABS BLACK	1	
1-4	DJ 67-30166C	CAP-SLIDE	FANTASY ORANGE	1	
	DJ 67-30166A		VIO BLUE	1	
1-7	DJ 61-10116C	CLAMPER-DUST	FANTASY ORANGE	1	
	DJ 61-10116A		VIO BLUE	1	
2	DJ 72-20134C	PANEL-CONTROL ASSY	FANTASY ORANGE	1	
	DJ 72-20134D		VIO BLUE	1	
2-1	DJ 72-20132D	PANEL-CONTROL	FANTASY ORANGE	1	
	DJ 72-20132A		VIO BLUE	1	
2-4	DJ 67-30171B	CAP-BUTTON	FANTASY ORANGE	1	
	DJ 67-30171A		VIO BLUE	1	
7	DJ 63-40165A	FILTER-MICRO	MICRO	1	
8	DJ 63-40166A	FILTER-GRILLE	PE SPONGE 6T	1	
9	DJ 63-40170A	FILTER-GRILLE	3T BLACK	1	
10	DJ 41-20188D	PBA-MAIN		1	
	DJ 31-30114D		220V	1	
12	DJ 31-30114B	MOTOR	230V	1	
	DJ 31-30114E		240V	1	
24	DJ 27-40106A	COIL-HARMONIC		1	

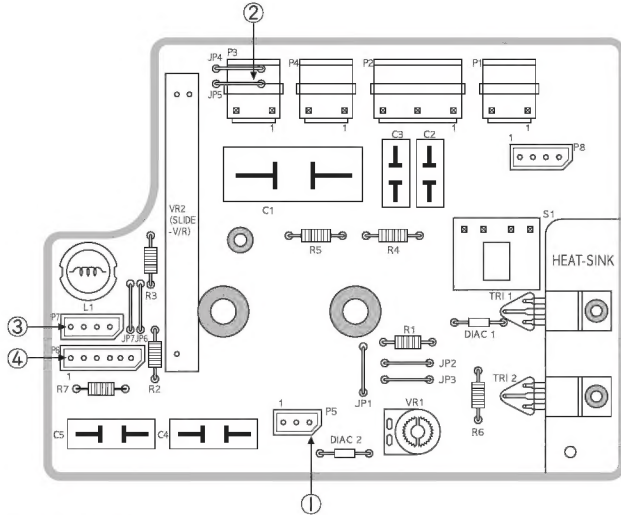
7. Packing Diagram and Parts List



Location	Code No.	Description	Specification	Qty	Remarks
1	DJ 69-40170A	PAD-UP		1	
2	DJ 69-40174A	PAD-BACK		2	
3	DJ 69-60126A	PACKING-PLUP		2	
4		PIPE-STEEL		1	
5		PACKING-CASE		1	
6		VACUUM CLEANER		1	
7		INSTRUCTION BOOK		1	
8		HOSE-ASSY		1	
9	DJ 74-10124A	BAG-PAPER ASSY	3PCS	1	
10		BRUSH-ASSY	NB 200	1	

8. PCB Diagrams

ASS'Y - PCB POWER



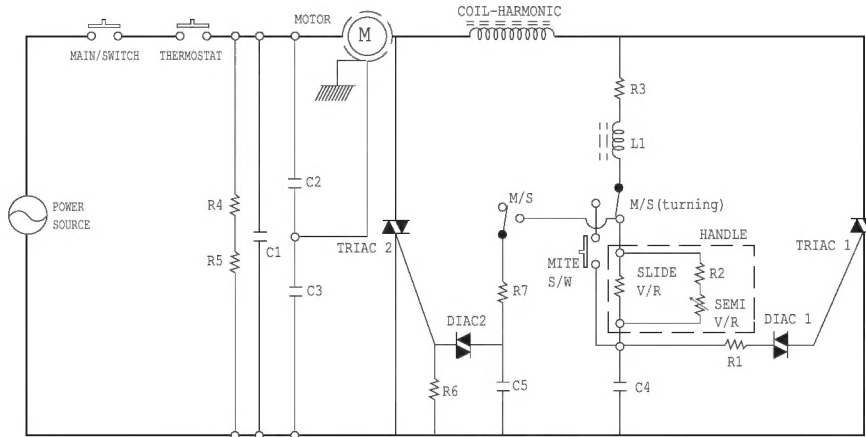
- A VC-7715V (BODY SLIDE V/R-TYPE) 230~240V/50HZ(HAR COIL : O)
- B VC-7715H (HANDLE CONTROL V/R-TYPE) 230~240V/50HZ(HAR COIL : O)
- D VC-7714 (ON, OFF) -220~240V/50HZ
- E VC-7714V (BODY SLIDE V/R-TYPE) 220V/50HZ(HAR COIL : X)
- F VC-7715H (HANDLE CONTROL V/R-TYPE) 220V/50HZ(HAR COIL : X)

PART LIST

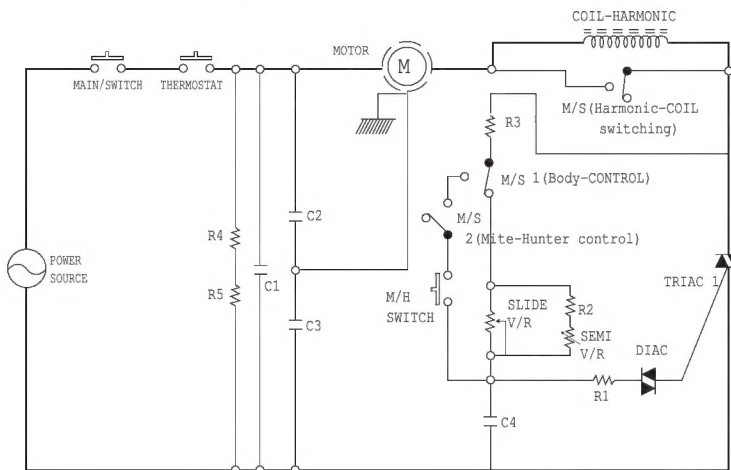
Location No.	SPEC	CODE NO.	A	B	D	E	F
R1	R-CARBON;1/4W 100J	2001-000027	0	0		0	0
R2	R-CARBON;1/4W 100K-J	2001-000084	0			0	
R3	R-CARBON;1/2W 4.7K-J	2001-000730	0	0		0	0
R4	R-CARBON;1/2W 470K-J	2001-001150	0	0	0	0	0
R5	R-CARBON;1/2W 470K-J	2001-001150	0	0	0	0	0
R6	R-CARBON;1/4W 2K-J	2001-001374		0			
R7	R-CARBON;1/4W 100J	2001-000027		0			
SEMI-VR1	VR-SEMI;500KB	2103-000684	0			0	
C1	C-FILM, MPPF 334K, 275VAC	2306-001033	0	0	0	0	0
C2	C-FILM, MPPF 472K, 250VAC	2306-001037	0	0	0	0	0
C3	C-FILM, MPPF 472K, 250VAC	2306-001037	0	0	0	0	0
C4	C-FILM, MPPF 104K, 275VAC	2306-001034	0	0		0	0
C5	C-FILM, MPPF 104K, 275VAC	2306-001034		0			
L1	COIL-CHOKE;8mH	DJ 27-40104A		0			0
DIA 1	THYRISTOR DIAC;HT-40,(40+2V)	1401-000128	0	0		0	0
TRI 1	THYRISTOR TRIAC, SM16J Z47	1401-001014	0	0		0	0
TRI 2	THYRISTOR TRIAC, SM16J Z47	1401-001014		0			
SLIDE V/R	VR-SLIDE, SGL500KB	2102-001006	0			0	
HEAT-SINK	VC-7700	DJ 62-30118A	0	0		0	0
PCB-MAIN	VC-7700	DJ 41-10165A	0	0	0	0	0
JP1	JUMPER-WIRE	3812-000219	0	0		0	0
JP2	JUMPER-WIRE	3812-000219			0		
JP3	JUMPER-WIRE	3812-000219			0		
JP4	JUMPER-WIRE	3812-000219			0	0	0
JP5	JUMPER-WIRE	3812-000219			0	0	0
JP6	JUMPER-WIRE	3812-000219					
JP7	JUMPER-WIRE	3812-000219					
P1	CONNECTOR-HEADER ; YAW396-03V WHT	3711-002831	0	0	0	0	0
P2	CONNECTOR-HEADER ; YAW396-05V WHT	3711-002832	0	0	0	0	0
P3	CONNECTOR-HEADER ; YAW396-03V YEL	3711-003617	0				
P4	CONNECTOR-HEADER ; YAW396-03V BLU	3711-003618	0	0			
P5	CONNECTOR-HEADER ; 5267-03 WHT, MOLEX	3711-000903	0	0		0	0
P6	CONNECTOR-HEADER ; 5267-06 WHT, MOLEX	3711-003111		0			0
P7	CONNECTOR-HEADER ; 5267-04 WHT, MOLEX	3711-000963	0			0	
P8	CONNECTOR-HEADER ; 5267-04 WHT, MOLEX	3711-000963					
RIVET-PH	RIVET-PH ; D3.2L8.44	6041-000213					
MAIN S/W	1681-2101 MARQUART	3403-000317	0	0	0	0	0
WIRE HARNESS ①	WIRE HAR MITE-HUNTER	DJ 39-20255B	0	0		0	0
SCREW	SCREW-MACHINE;PH, M3, L10	6001-000928	0	0		0	0
NET	NUT-HEXAGON;1C, M3, ZPC(YEL), SM20C	6021-000118	0	0		0	0
WIRE HARNESS ②	W/HARNESS-BODY(7715V)	DJ 39-20253B	0				
WIRE HARNESS ③	W/HARNESS-C/DUST(7715H)	DJ 39-20258B		0			0
WIRE HARNESS ④	W/HARNESS-C/DUST(7715V)	DJ 39-20256B	0			0	
DIAC 2	JUMPER-WIRE	3812-000219		0			

9. Schematic diagrams

MODEL : VC-7715H (HANDLE CONTROL TYPE)



MODEL : VC-7715V, VC-7714V (BODY SLIDE V/R TYPE)



MODEL : VC-7715, 7714 (ON / OFF TYPE)

