



SAMSUNG

VACUUM CLEANER

VC-H110 SERIES

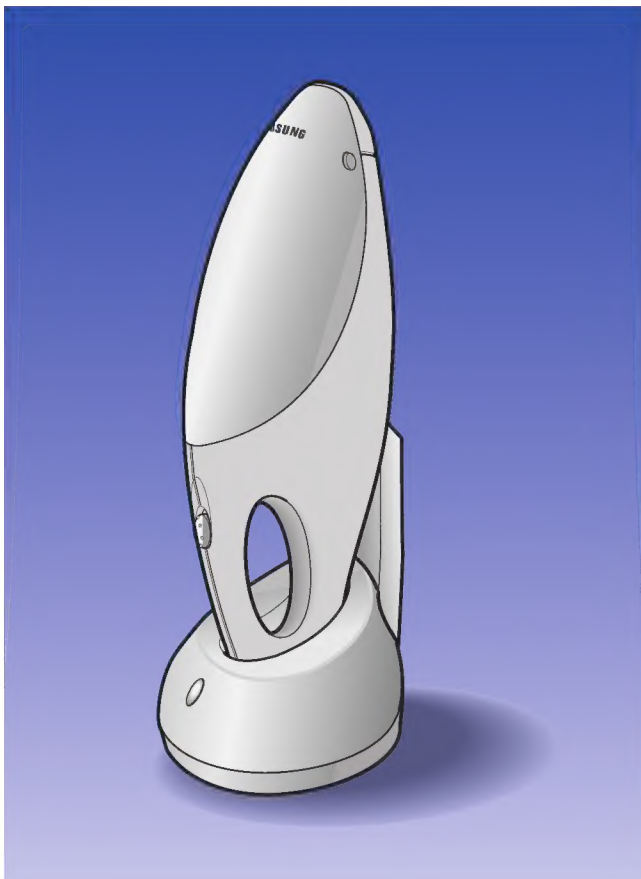
VC-H113 / VAH-1113

VC-H114 / VAH-1114

VC-H130

SERVICE *Manual*

VACUUM CLEANER



CONTENTS

1. Precautions
2. Specifications
3. Operating Instructions
4. Schematic Diagrams
5. PCB Diagrams
6. Troubleshooting
7. Exploded Views and Parts List

1. Precautions

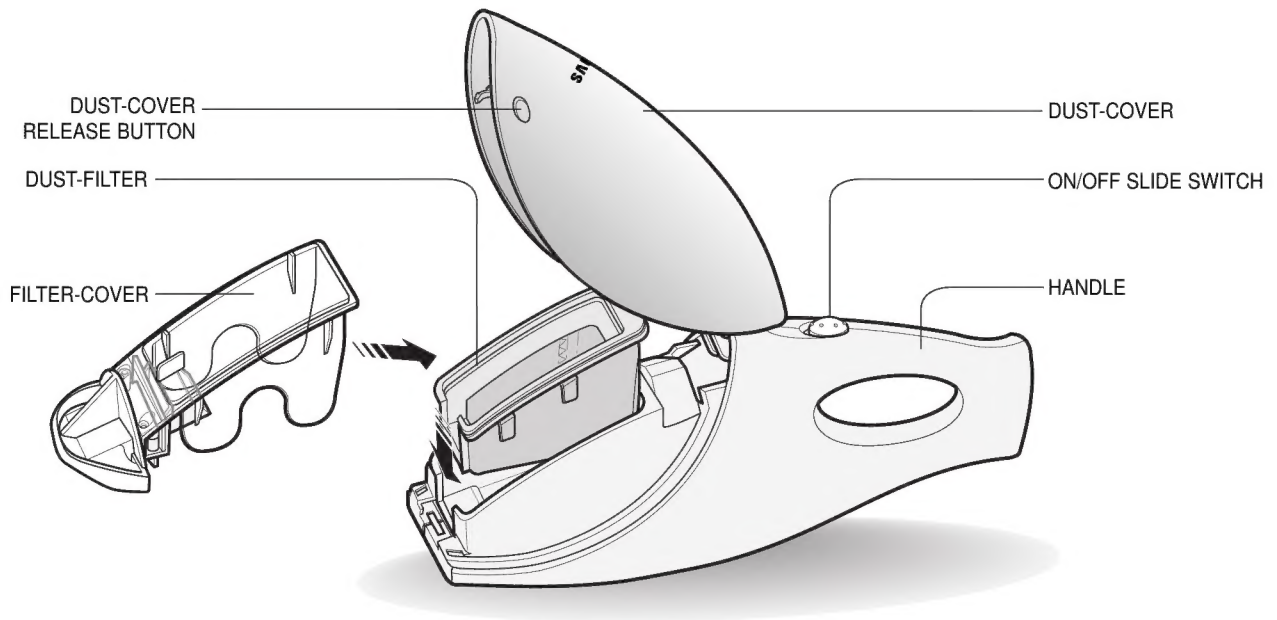
Technical service information contained here is supplied for use by qualified service personnel. Specifications are subject to change without notice.

1. Do not use the vacuum cleaner when rug or floor is wet.
2. Close supervision is necessary when any appliance is used by or near children.
Do not allow the vacuum cleaner to run unattended at any time.
3. Do not use the vacuum cleaner without a dust filter. Replace the dust filter frequently when picking up very fine material such as powder. Replace the dust filter before it is excessively full in order to maintain optimum performance.
4. Never use the vacuum cleaner to pick up matches, live ashes or cigarette butts.
Keep the vacuum cleaner away from a stove or heat sources. Heat can deform and discolor the plastic parts of the unit.
5. Avoid picking up hard or sharp objects with the vacuum cleaner.
6. Turn off the power switch before charging.
7. Grasp the plug firmly when removing it. To avoid damage to cord, plug, prongs or socket, always disconnect the cord from the electrical outlet before replacing the dust bag or servicing the cleaner.
8. The use of an extension cord is not recommended.
9. Repairs should be done only by qualified service personnel.

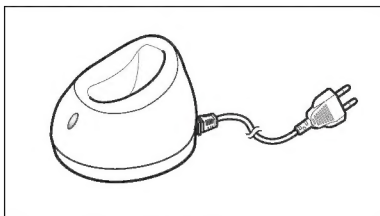
2. Specifications

MODEL NAME		VC-H130	VC-H113 VAH-1113	VC-H114 VAH-1114
Basic spec.		CAR Only	Charging	Charging
Suction Power (W)		8.0	6.0	7.0
Max. Vacuum (mmH ₂ O)		230	170	210
BODY Spec.	Voltage	DC 12V	DC 4.8V	DC 7.2V
	Power Consumption	60W	48W	48W
ADAPTER Spec.	Input	-	1.34VA	1.56VA
	Output	-	DC 6.7V	DC 7.8V
	secondary current	-	200 mA	200 mA
BATTERY Spec.	Voltage	-	4.8V	7.2V
	Number of cell	-	4 CELL	6 CELL
	Type and Current	-	SC, 1600mAh	SC, 1600mAh
Charging/ Discharging	Running Time(Min)	continues	10	10
	Charging Time(Hr)	-	10	10
MOTOR RPM		26,000 rpm	21,000 rpm	23,000 rpm
Net Dimensions (L*W*H)		395*110*115mm (15.6*4.3*4.5in)		
Net Weight (Kg/LB)		0.76/1.7	0.95/2.1	1.05/2.3
Color		Dark Gray	Red, Blue , Euro Yellow	Red, Blue, Euro Yellow

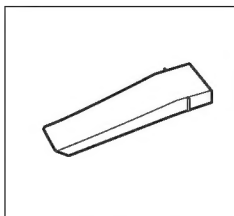
3. Operating Instructions



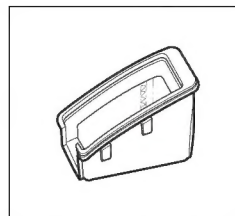
ACCESSORIES



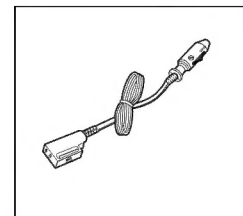
CHARGER



CREVICE TOOL



DUST FILTER



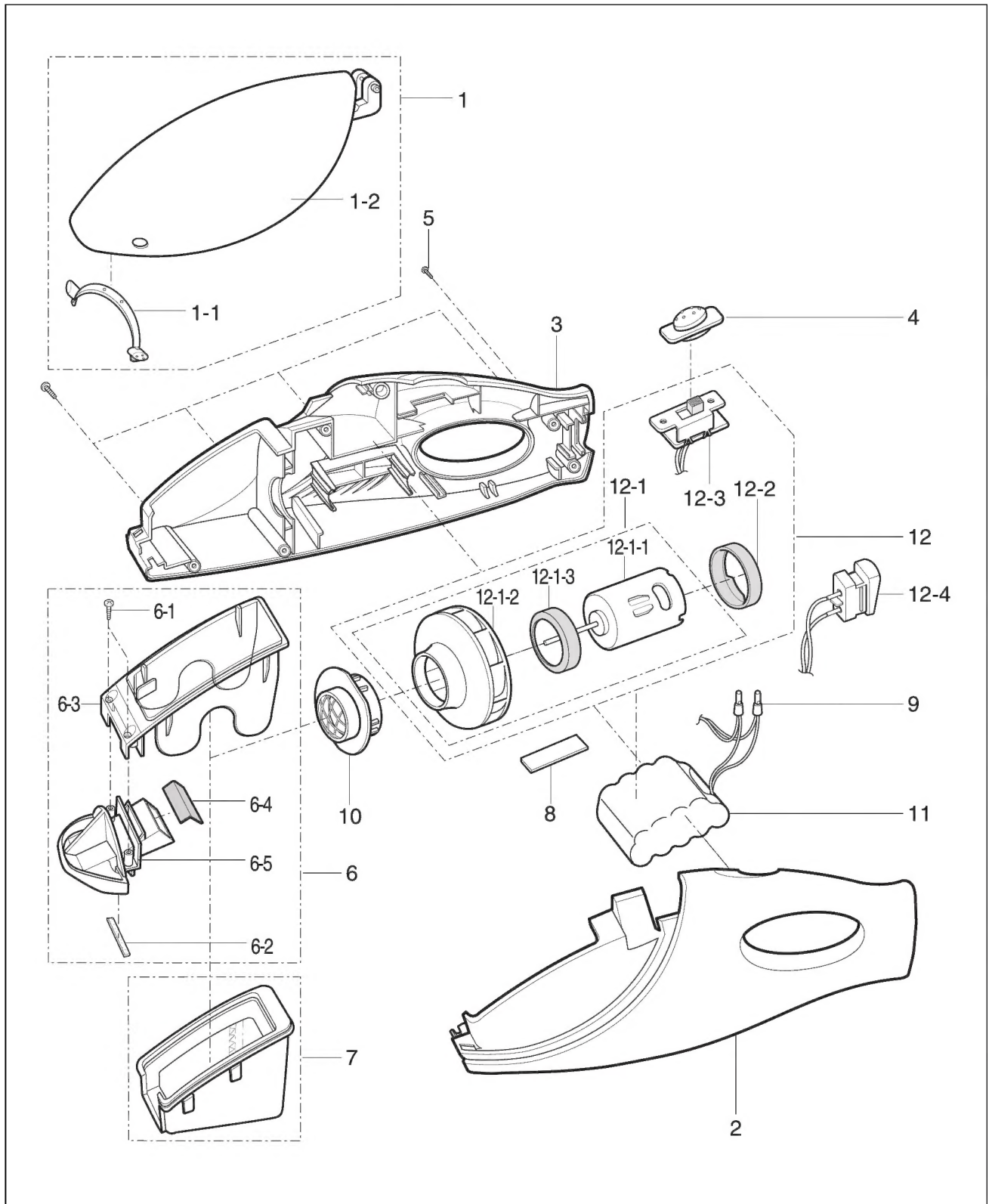
ELECTRIC POWER CORD FOR CAR (VC-H130 ONLY)

6. Troubleshooting

Problem	Check	Remedy
<ul style="list-style-type: none"> • Motor does not run when turned on 	<ul style="list-style-type: none"> • Check that the plug is securely inserted into outlet • Check that the carbon-brush is not severely worn • Check that the hook in the carbon-brush is separated • Check that the power switch is turned on 	<ul style="list-style-type: none"> • Plug in firmly • Replace it if broken • Push it completely into the brush holder or replace it • Replace if motor does not run when turned on
<ul style="list-style-type: none"> • Charger does not work 	<ul style="list-style-type: none"> • Check that the voltage and main power are working • Check that the charger is correctly plugged in for recharge • Check that the socket switch is in the on position • Check that the holder-plug is not damaged and is correctly attached to the charger • Check the off position of the main switch when charging 	<ul style="list-style-type: none"> • Plug in firmly • Replace it if broken • The main switch must be in off position - the product will not charge if it is in any other position
<ul style="list-style-type: none"> • Suction power is weak 	<ul style="list-style-type: none"> • Check that the inlet is clogged with a large object • Check that the dust-filter is filled with dust 	<ul style="list-style-type: none"> • Remove the object • Attach the filter-cover properly

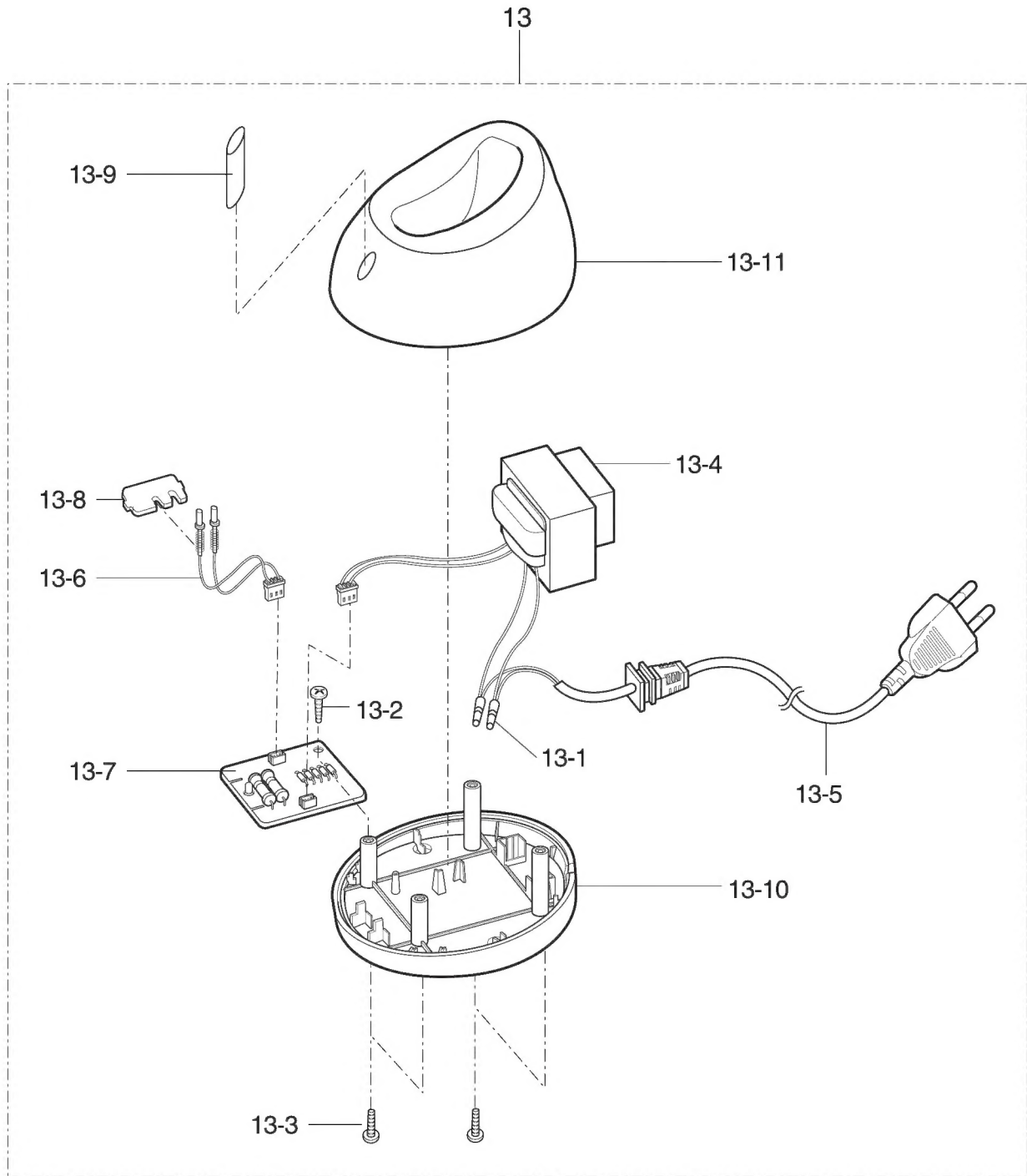
7. Exploded Views and Parts List

7-1 Assembly Body



NO	Parts No	Description	Specification	Q'ty	H113	H114	H1114	SVC PARTS
1	DJ 72-30333F	COVER-DUST ASSY	ASSY ,BLUE	1	○	○	○	●
	DJ 72-30333E	COVER-DUST ASSY	ASSY ,RED	1	○	○	○	●
	DJ 72-30333D	COVER-DUST ASSY	ASSY ,EURO YELLOW	1	○	○	○	●
	DJ 72-30333G	COVER-DUST ASSY	ASSY ,PEPPERMINT	1	○			●
1-1	DJ 64-10202B	BUTTON-COVER	PC, NONE COLOR	1	○	○	○	●
1-2	DJ 72-30322F	COVER-DUST	ABS,BLUE,HG0760	1	○	○	○	●
	DJ 72-30322E	COVER-DUST	ABS,RED,HG0760	1	○	○	○	●
	DJ 72-30322C	COVER-DUST	ABS,EURO YELLOW,HG0760	1	○	○	○	●
	DJ 72-30322G	COVER-DUST	ABS,PEPPERMINT,HG0760	1	○			●
2	DJ 72-10248B	BODY-BASE L	ABS,GRY,HG0760	1	○	○	○	●
3	DJ 72-10249A	BODY-BASE R	ABS,GRY,HG0760	1	○	○	○	●
4	DJ 64-10201C	BUTTON-SWITCH	ABS,BLUE,HG0760	1	○	○	○	●
	DJ 64-10201D	BUTTON-SWITCH	ABS,RED,HG0760	1	○	○	○	●
	DJ 64-10201A	BUTTON-SWITCH	ABS,EURO YELLOW,HG0760	1	○	○	○	●
	DJ 64-10201E	BUTTON-SWITCH	ABS,PEPPERMENT,HG0760	1	○			●
5		SCREW-TAPPING	PH,M3*L14	6	○	○	○	X
6	DJ 72-30332A	COVER FRONT ASSY	ASSY	1	○	○	○	●
6-1		SCREW-TAPPING	PH,M3*L14	2	○	○	○	X
6-2	DJ 63-70120A	SPACER-BRUSH	ABS+WOOOL,T3.5,W6.	1	○	○	○	X
6-3	DJ 64-90109A	WINDOW-DUST	ABS,TR-558A NP	1	○	○	○	X
6-4	DJ 66-60143A	DAMPER-SUCTION	NBR,BLK	1	○	○	○	X
6-5	DJ 72-30323A	COVER-FRONT	ABS,GRY,HG0760	1	○	○	○	X
7	DJ 63-40182A	FILTER-BASKET	PVC+PE FILTER,GRY	1	○	○	○	●
8		SHEET	PE FORM	1	○	○	○	X
9		CONNECTOR-TERMINAL	NTR	2	○	○	○	X
10	DJ 72-70137A	GRILLE-MOTOR	ABS,GRY,HG0760	1	○	○	○	●
11	DJ 96-00002A	BATTERY ASSY	7.2V/1600mAh*6	1		○	○	●
	DJ 91-10116A	BATTERY ASSY	4.8V/1600mAh*4	1	○			●
12		ASSY MOTOR	VC-H114,7.2V,	1		○	○	X
		ASSY MOTOR	VC-H113,4.8V,	1	○			X
12-1	DJ 97-00004B	ASSY MOTOR SUB	ASSY,7.2V	1		○	○	●
	DJ 97-00004C	ASSY MOTOR SUB	ASSY,4.8V	1	○			●
12-1-1	DJ 31-10114C	MOTOR-DC	7.2V	1		○	○	X
	DJ 31-00008A	MOTOR-DC	4.8V	1	○			X
12-1-2	DJ 66-90139A	IMPELLER-ASSY	ABS	1	○	○	○	X
12-1-3	DJ 73-10183A	CUSHION-MOTOR F	NBR,BLK	1	○	○	○	X
12-2	DJ 73-10184A	CUSHION-MOTOR B	NBR,BLK	1	○	○	○	●
12-3	3408-001044	SWITCH-SLIDE	125V,6A,DPDT,ON-OFF	1	○	○	○	●
12-4	DJ 67-10198A	HOLDER-PLUG ASSY	ABS,GRY,HG0760	1	○	○	○	●

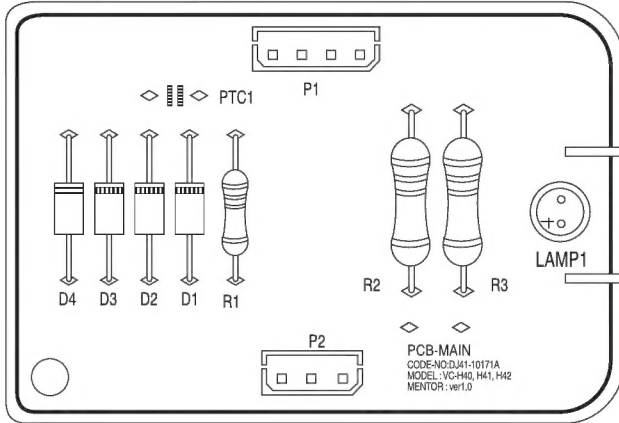
7-2 Assembly Adapter



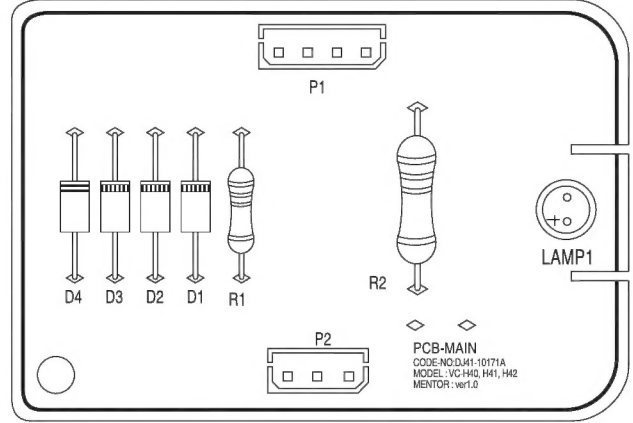
NO	Parts No	Description	Specification	Q'ty	H113	H114	H1114	SVC PARTS
13	DJ 91-10114D	ASSY ADAPTER	ASSY EURO YELLOW VC-H113 DEMKO	1	0			●
	DJ 91-10114E	ASSY ADAPTER	ASSY RED VC-H113 DEMKO	1	0			●
	DJ 91-10114F	ASSY ADAPTER	ASSY BLUE VC-H113 DEMKO	1	0			●
	DJ 91-10114G	ASSY ADAPTER	ASSY PEPPERMINT VC-H113 DEMKO	1	0			●
	DJ 91-10114H	ASSY ADAPTER	ASSY RED VC-H1114 UL	1			0	●
	DJ 91-10114J	ASSY ADAPTER	ASSY BLUE VC-H1114 UL	1			0	●
	DJ 91-10114K	ASSY ADAPTER	ASSY EURO YELLOW VC-H1114 UL	1			0	●
	DJ 91-10114L	ASSY ADAPTER	ASSY RED VC-H114 DEMKO	1		0		●
	DJ 91-10114M	ASSY ADAPTER	ASSY BLUE VC-H114 DEMKO	1		0		●
DJ 91-10114N	ASSY ADAPTER	ASSY EURO YELLOW VC-H114 DEMKO	1		0		●	
13-1		CONNECTOR TERMINAL	CLOSE END CONNECTOR	2	0	0	0	X
13-2		SCREW-TAPPING	TH,M4*L10	1	0	0	0	X
13-3		SCREW-TAPPING	PH,M4*L16	4	0	0	0	X
13-4	DJ 26-20117A	TRANS-POWER	230V 9.3V	1	0	0		●
	DJ 26-00002A	TRANS-POWER	120V,9.7V,DY-41S9735	1			0	●
13-5	DJ 39-00007A	CBF-POWER	EP2,L1920,BLK,UL	1			0	●
	DJ 39-00006A	CBF-POWER	CP2,4.0,L1500,BLK,DEMKO	1	0	0		●
	DJ 39-10130A	CBF-POWER	CP2,4.8,L1500,BLK	1	0	0		●
13-6	DJ 39-20277A	W/HARNESS-POWER	L120,BODY,UL1007	1	0	0	0	●
13-7	DJ 41-20194B	PBA-MAIN	ASSY 7.2V	1		0	0	●
	DJ 41-20194C	PBA-MAIN	ASSY 4.8V	1	0			●
13-7-1	DJ 41-10171A	PCB-MAIN	FR1	1	0	0	0	X
13-7-2	0402-000137	DIODE-RECTIFIER	1N4007,1000V,1A	4	0	0	0	X
13-7-3	0601-000577	LED	ROUND,RED,4mm,660nm	1	0	0	0	X
13-7-4	1404-001001	THERMISTOR-PTC	RXE-050,1.0A,60V	1	0	0	0	X
13-7-5	2001-000042	R-CARBON	1Kohm,5%,1/4W,AA,TP	1	0	0	0	X
13-7-6	2003-000618	R-METAL OXIDE(S)	27ohm,5%,3W,AA,TP	2		0	0	X
	2003-000679	R-METAL OXIDE(S)	39ohm,5%,3W,AA,TP	2	0			X
13-7-7	3711-000963	CONNECTOR-HEADER	5267-04,WHT,MOLEX	1	0	0	0	X
13-7-8	3711-003968	CONNECTOR-HEADER	5267-03,WHT,MOLEX	1	0	0	0	X
13-8	DJ 61-30140A	SUPT-TERMINAL	ABS,GRY,HG0760	1	0	0	0	●
13-9	DJ 64-90111A	WINDOW-LED	ACRYL,830,MP	1	0	0	0	●
13-10	DJ 72-10250A	BODY-ADAPTER	PP,GRY,DJ 730	1	0	0	0	●
13-11	DJ 72-30324F	COVER-ADAPTER	ABS,BLUE,EXP,HG0760	1	0	0	0	●
	DJ 72-30324E	COVER-ADAPTER	ABS,RED,EXP,HG0761	1	0	0	0	●
	DJ 72-30324C	COVER-ADAPTER	ABS,EURO YELLOW,EXP,HG0762	1	0	0	0	●
	DJ 72-30324G	COVER-ADAPTER	ABS,PEPPERMINT,EXP,HG0763	1	0			●
14	DJ 67-50205A	PIPE-CREVICE	PP,L-GRY,DJ 730	1	0	0	0	●

5. PCB Diagrams

A. Basic



B. Minor Change



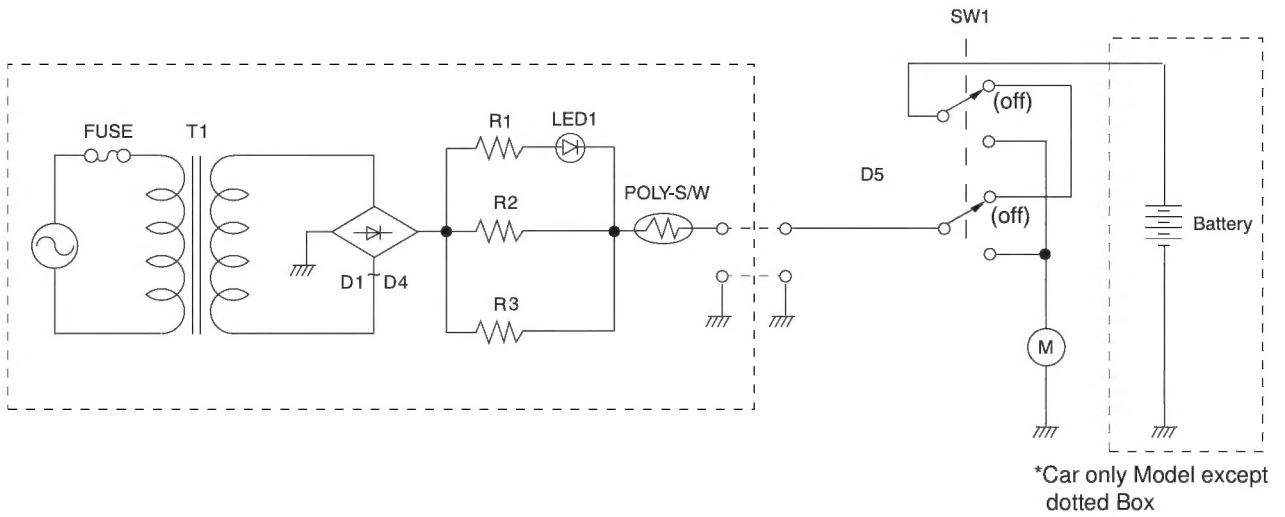
PBA-MAIN (A-TYPE)

- VC-H113 (DJ41-20194C)
- VC-H114 (DJ41-20194B)

LOC.NO	SPEC	PARTS NO	A	B
R1	R-CARBON : 1Kohm, 5%, 1/4W, AA, TP	2001-000042	COMMON	-
R1	R-CARBON : 270ohm, 5%, 1/4W, AA, TP	2001-0000	-	COMMON
R2, R3	R-METAL OXIDE : 27ohm, 5%, 3W, AA, TP	2003-000618	H114	-
R2, R3	R-METAL OXIDE : 39ohm, 5%, 3W, AA, TP	2003-000679	H113	-
R2	R-METAL OXIDE : 15ohm, 5%, 3W, AA, TP		-	H114
R2	R-METAL OXIDE : 20ohm, 5%, 3W, AA, TP		-	H113
D1~D4	DIODE-RECTIFIER : IN4007 1000V 1A	0402-000137	COMMON	COMMON
PTC1	POLY-SWITCH:RXE-050, 40A, 60V, 1.0A	1404-000113	COMMON	-
P1	CONNECTOR-HEADER : 5267-04 WHT MOLEX	3711-000963	COMMON	COMMON
P2	CONNECTOR-HEADER : 5267-03 WHT MOLEX	3711-003968	COMMON	COMMON
PCB-MAIN	FR1, W45*L56*T1.55	DJ 41-10171A	COMMON	COMMON
LMP1	LED : ROUND, RED, 4MM, 660nm	0601-000577	COMMON	-
LMP1	LED : ROUND, RED, 4MM, 635nm	0601-000578	-	COMMON

4. Schematic Diagrams

A. Basic



B. Minor Change

