

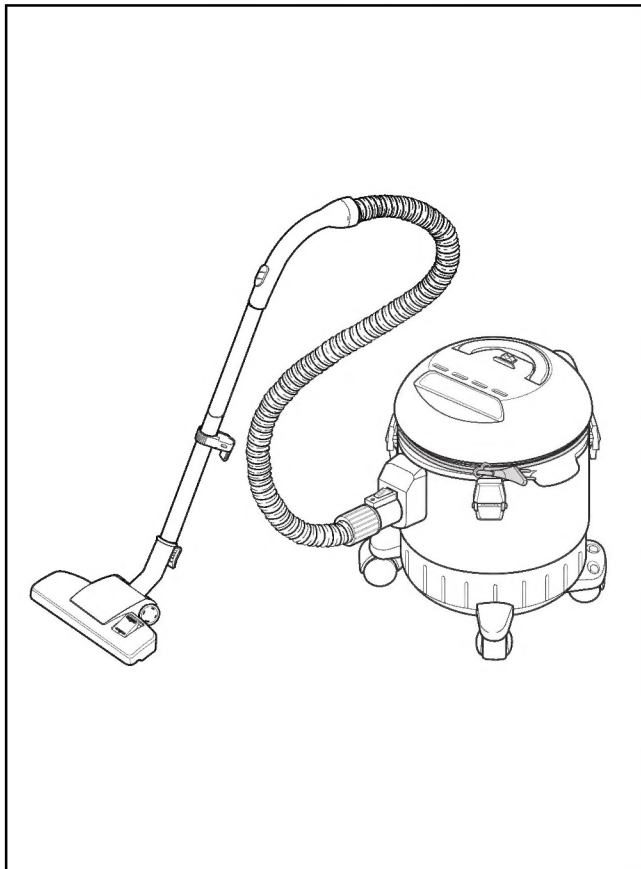
**SAMSUNG**

# VACUUM CLEANER

VC- W113

# **SERVICE** *Manual*

## VACUUM CLEANER



## CONTENTS

1. Precautions
2. Specifications
3. Operating Instructions
4. Disassembly and Reassembly
5. Troubleshooting
6. Exploded Views and Parts List
7. Packing Diagram and Parts List
8. Schematic Diagrams

---

## 1. Precautions

---

Technical service information contained here is supplied for use by qualified service personnel.  
Specifications are subject to change without notice.

Before wet use, never vacuum foamy liquid.

1. Never vacuum foamy liquid.
2. Never immerse the motor unit in water.
3. Do not use the vacuum cleaner without motor protection filter.
4. Never use the vacuum cleaner to pick up matches, live ashes or cigarette butts.  
Keep the vacuum cleaner away from stoves or heat source. Heat can deform and discolour the plastic parts of the unit.
5. Avoid picking up hard or sharp objects with the vacuum cleaner.  
Do not stand on the hose assembly, put a weight on the hose or block the suction or exhaustion part.
6. Unplug the cleaner when not in use. Turn off the power switch before unplugging.
7. Grasp the plug firmly when removing it. To avoid damage to cord, plug, prongs or socket, always disconnect the cord from the electrical outlet before cleaning the filter.
8. The use of an extension cord is not recommended.
9. Repairs should be done only by an qualified service personnel.

---

## 2. Specifications

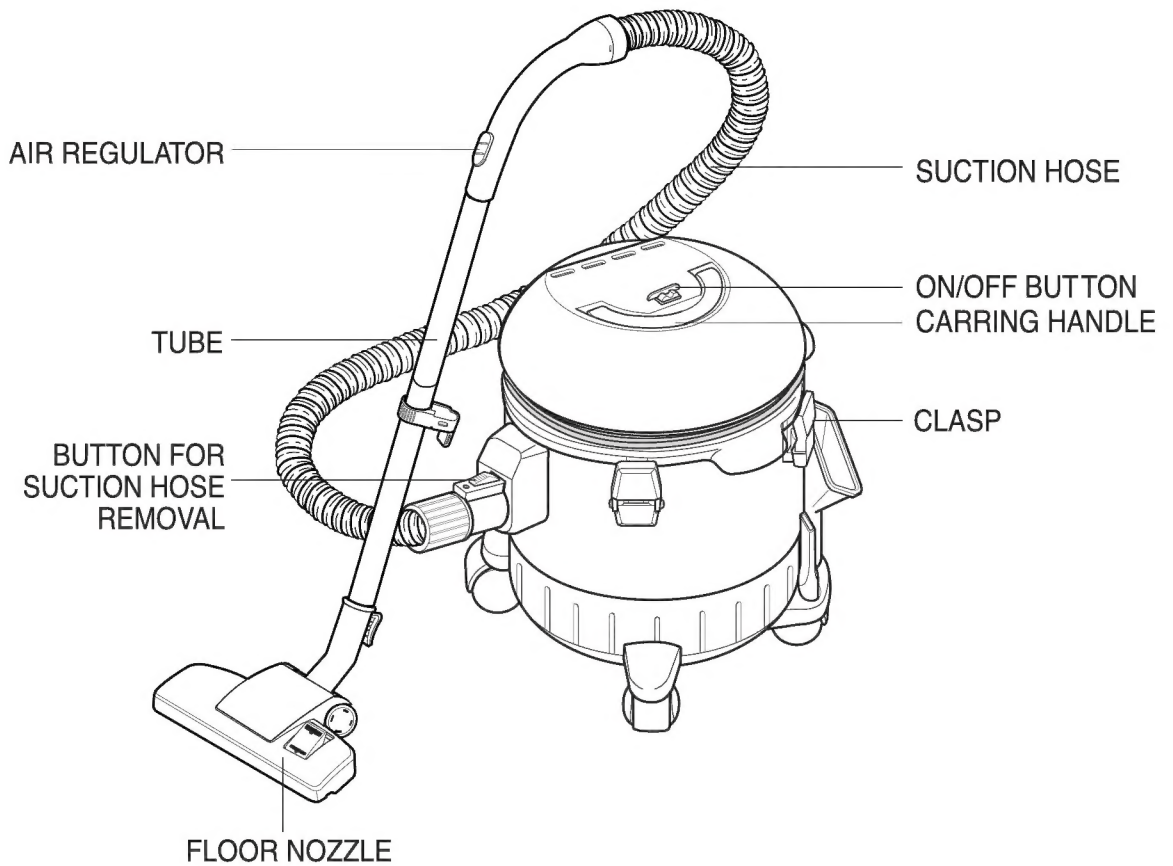
---

Power Source	Look at the data plate on the bottom of cleaner
Power Consumption	
Dimension	VC-W113
Weight	Gross : 11.7 kg Net : 7.9 kg (8.5) excluding all accessories
Accessories	Floor nozzle, Crevice tool, Water brush, Dusting brush, Upholstery brush, Pipe, Hose.

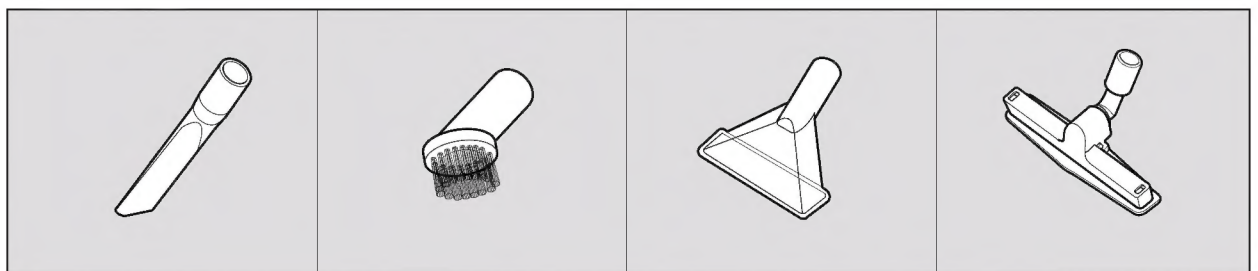
---

### 3. Operating Instructions

---



### ACCESSORIES



CREVICE TOOL

DUSTING BRUSH

UPHOLSTERY  
BRUSH

WATER BRUSH

---

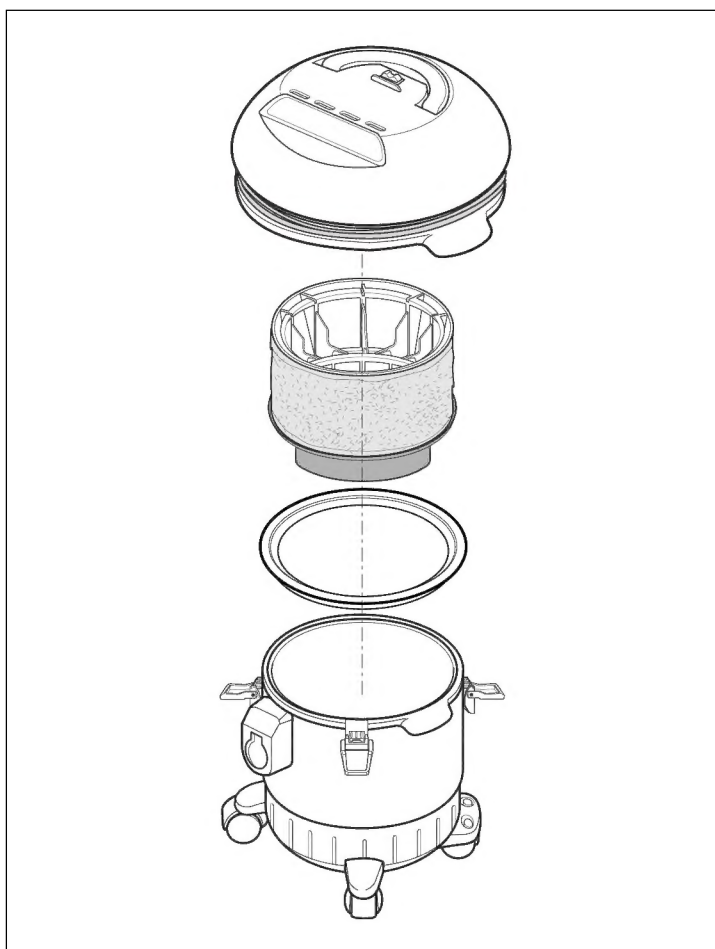
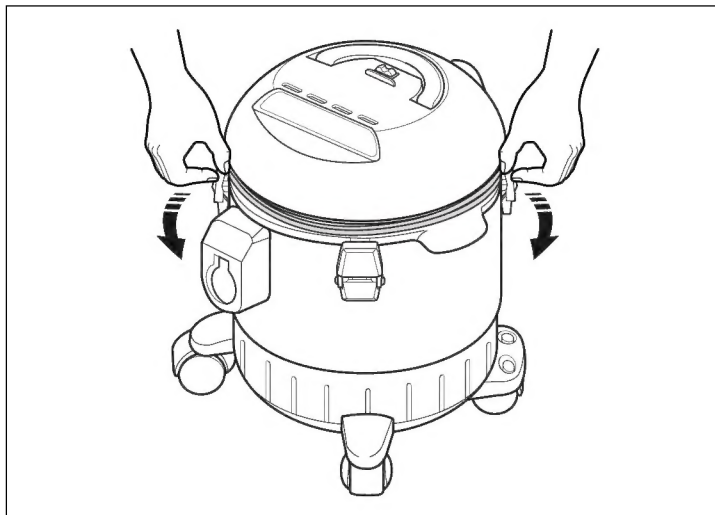
## 4. Disassembly and Reassembly

---

### 4-1 Removal COVER-DUST ASS'Y

---

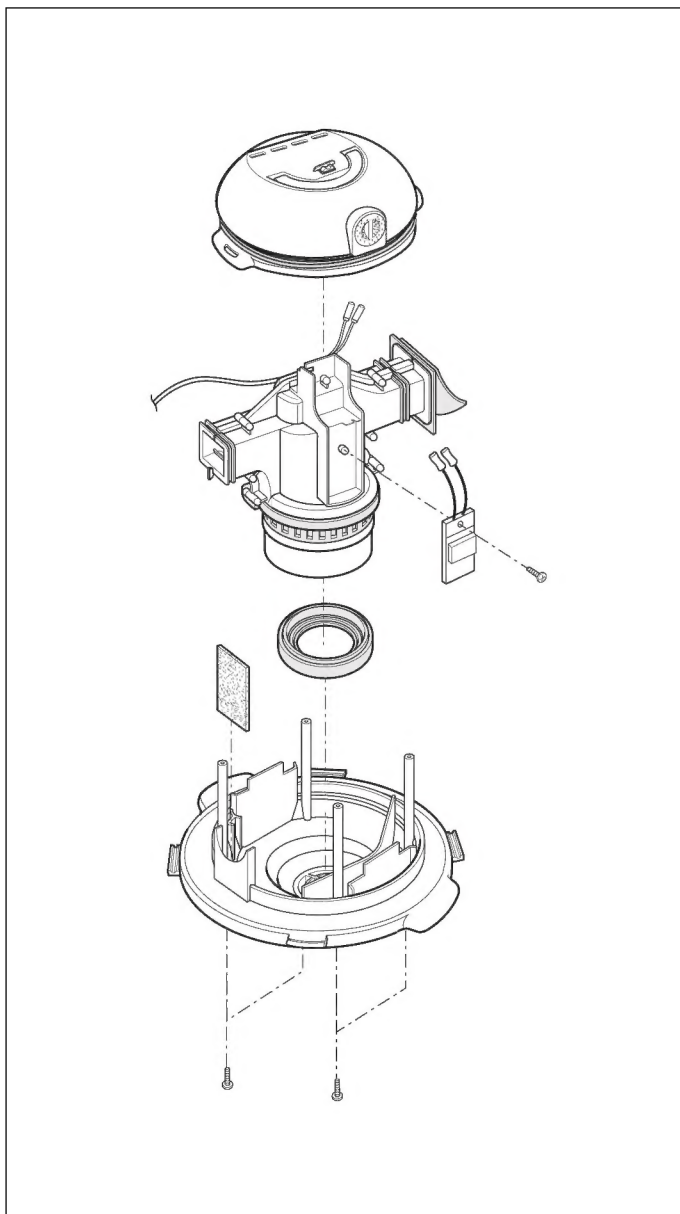
1) Unfasten 4 clasps and lift cover-dust ass'y



## 4-2 Disassembly of Body-Top ASSÖY

---

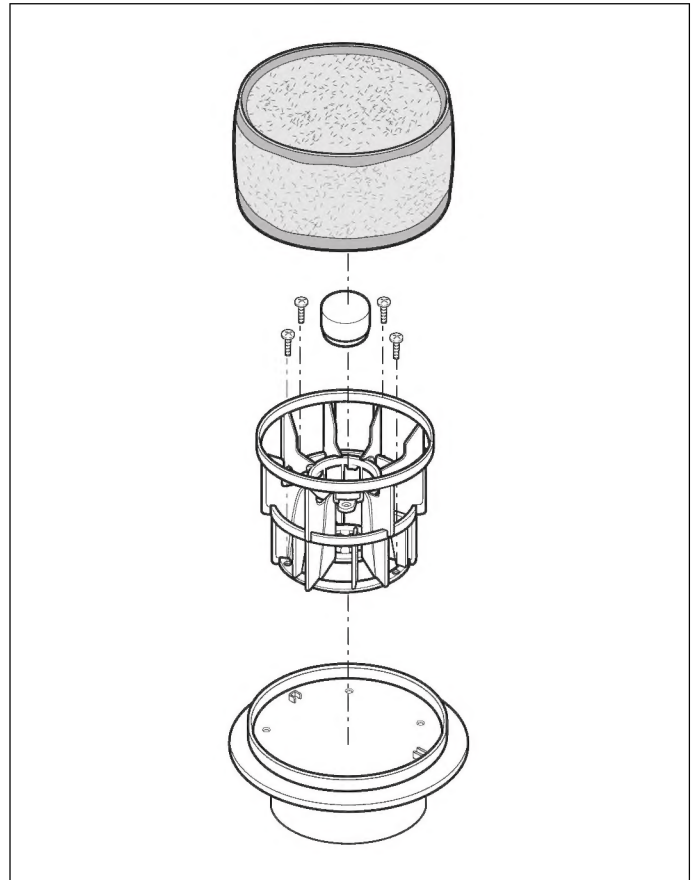
- 1) Loosen the four screws and detach cover-dust low, motor ass'y.



### 4-3 FILTER replacement

---

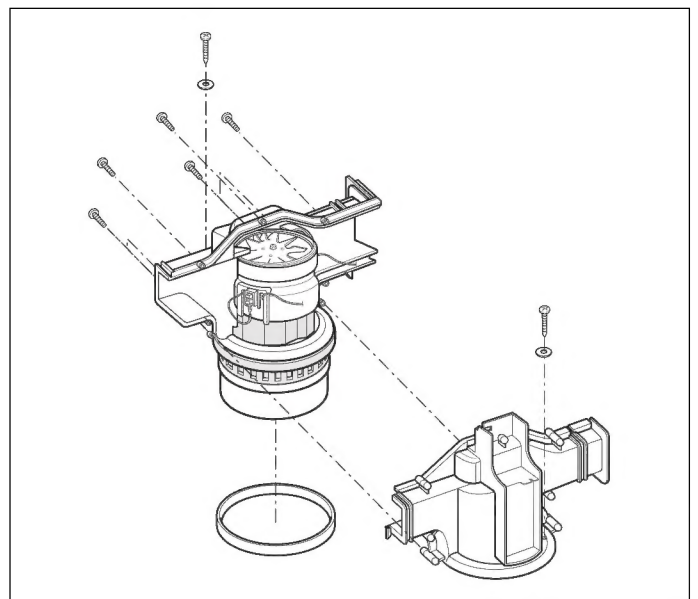
- 1) Loosen the four screws and lift the FILTER upward.



### 4-4 MOTOR replacement

---

- 1) Loosen the nine screws and separate case-motor.

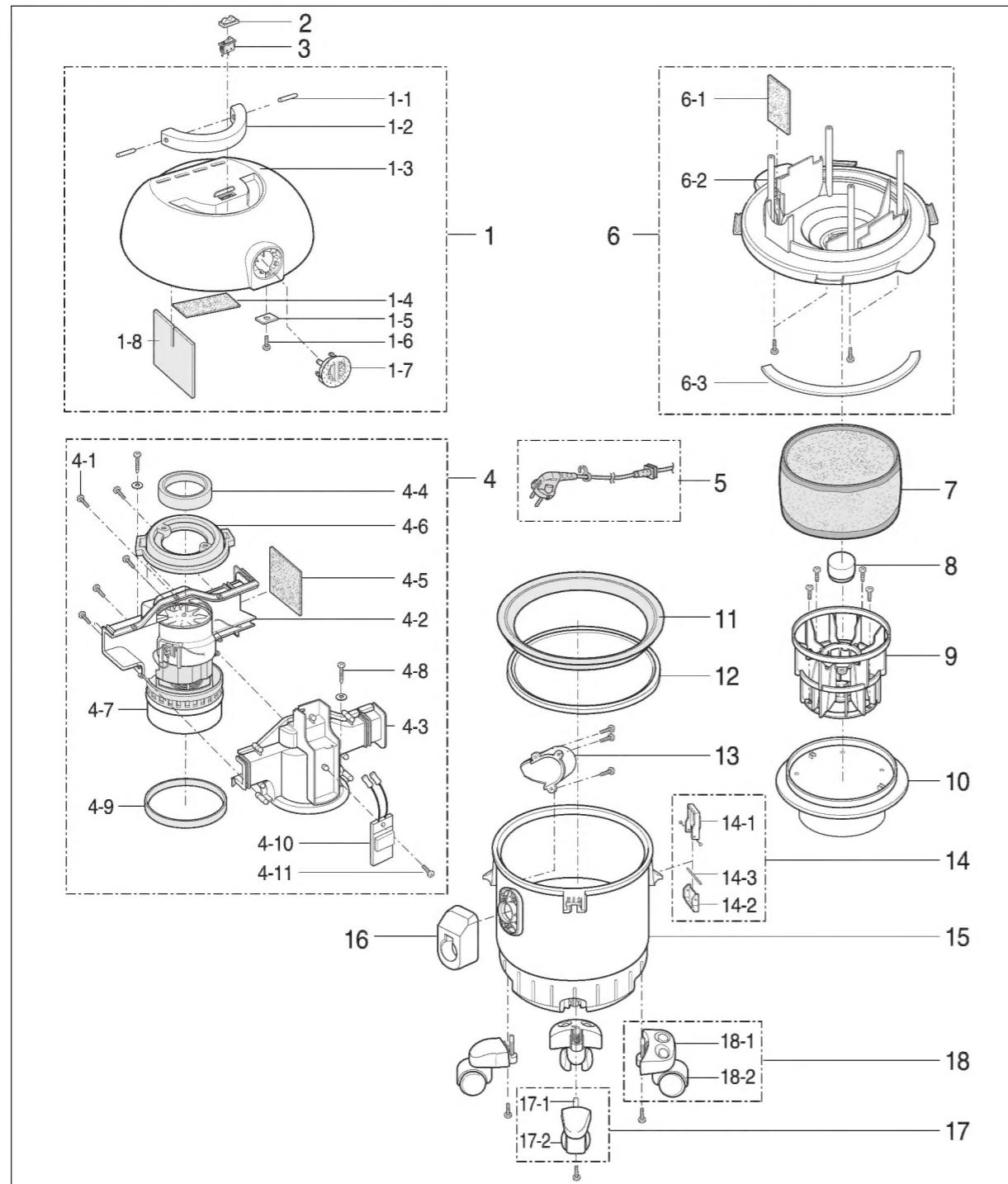


## 5. Troubleshooting

Problem	Check	Remedy
<ul style="list-style-type: none"> <li>• Motor does not run when turned on</li> </ul>	<ul style="list-style-type: none"> <li>• Check that the plug is securely inserted into outlet</li> <li>• Check that the carbon-brush is not severely worn</li> <li>• Check that the hook in the carbon-brush is separated</li> <li>• Check that the power switch is turned on</li> <li>• Check that the contact at the cord-reel area is ok</li> </ul>	<ul style="list-style-type: none"> <li>• Plug in firmly</li> <li>• Push it completely into the brush holder or replace it</li> <li>• Replace if motor does not run when turned on</li> <li>• Replace it if broken</li> </ul>
<ul style="list-style-type: none"> <li>• Suction power is weak</li> </ul>	<ul style="list-style-type: none"> <li>• Check that the floor nozzle or the hose is clogged with a large object</li> <li>• Check that the cover is attached firmly to the body</li> <li>• Check that the hose is firmly inserted</li> </ul>	<ul style="list-style-type: none"> <li>• Remove the object</li> <li>• Attach the cover properly</li> <li>• Insert the hose firmly</li> </ul>
<ul style="list-style-type: none"> <li>• Motor does not start</li> </ul>	<ul style="list-style-type: none"> <li>• No power supply.</li> </ul>	<ul style="list-style-type: none"> <li>• Check cable, plug and socket.</li> </ul>
<ul style="list-style-type: none"> <li>• Suction force is gradually decreasing</li> </ul>	<ul style="list-style-type: none"> <li>• Dust Filter, nozzle, suction hose or tube is blocked.</li> </ul>	<ul style="list-style-type: none"> <li>• Remove the object.</li> </ul>
<ul style="list-style-type: none"> <li>• Suction is not performed yet all, although the motor is running.</li> </ul>	<ul style="list-style-type: none"> <li>• The container is full of water.</li> <li>• The container is full of dust.</li> </ul>	<ul style="list-style-type: none"> <li>• Dispose water.</li> <li>• Empty the container and handwash the filter separately.</li> </ul>

## 6. Exploded Views and Parts List

### 6-1 Assembly- Body

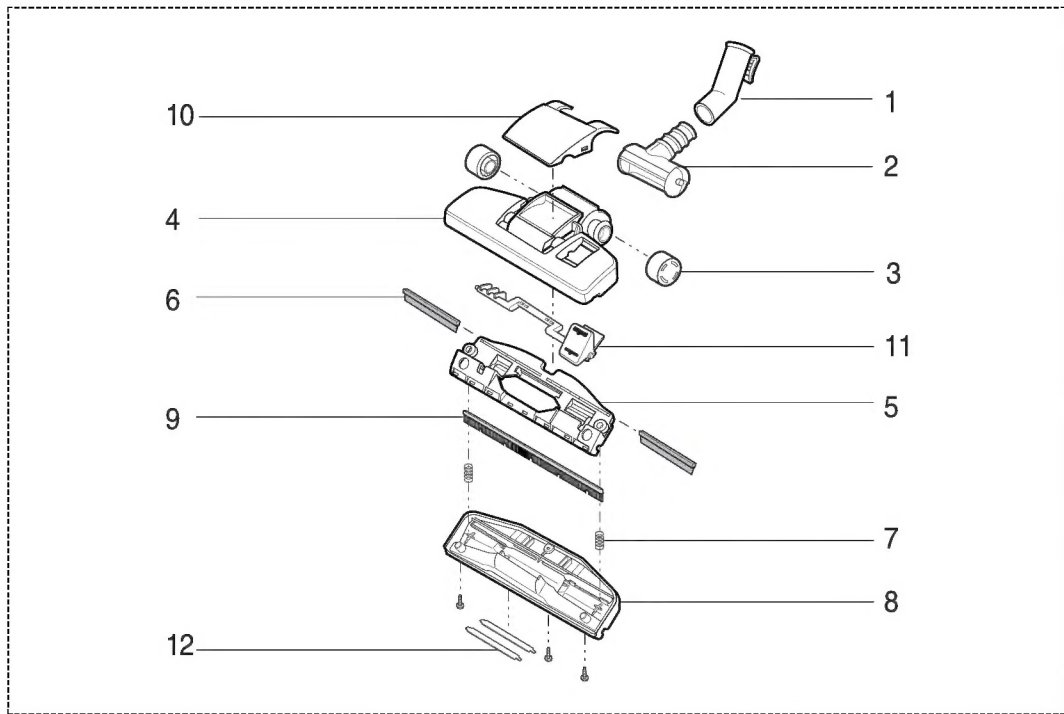


NOTE: Select the appropriate part number, depending on model.  
Example: Dust-cover and cord-reel assy.

MODEL : COMMON PART

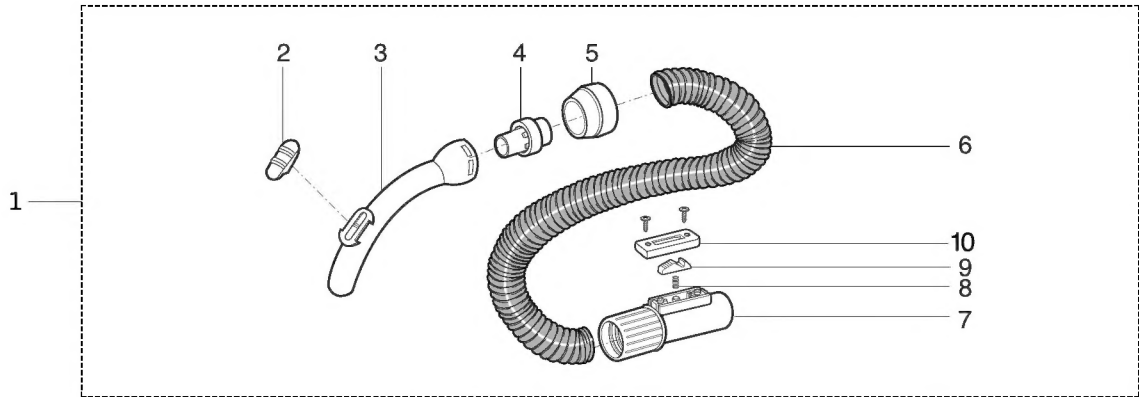
Location No.	Code No.	Description	Specification	Q'ty	Remarks
1	DJ72-30328D	COVER-DUST ASSY	FANTAGE ORANGE	1	VCW113SW20, VCW113SW30
1	DJ72-30326E	COVER-DUST ASSY	BLUE	1	VCW113SW2B, VCW113SW3B
1_1		SHAFT HANDLE	SUS 304	2	
1_2	DJ64-20134A	HANDLE	FANTAGE ORANGE	1	VCW113SW20, VCW113SW30
1_2	DJ64-20134B	HANDLE	BLUE	1	VCW113SW2B, VCW113SW3B
1_3	DJ72-30329A	COVER-DUST	FANTAGE ORANGE	1	VCW113SW20, VCW113SW30
1_3	DJ72-30329B	COVER-DUST	BLUE	1	VCW113SW2B, VCW113SW3B
1_4		FILTER COVER-DUST	FILTER FOAM 45PPI	1	
1_5		NET WASHER	SECC	1	
1_6		SCREW	+IS_5X15	1	
1_7	DJ72-70138A	GRILL	FANTAGE ORANGE	1	VCW113SW20, VCW113SW30
1_7	DJ72-70138B	GRILL	BLUE	1	VCW113SW2B, VCW113SW3B
1_8		FILTER E	FILTER FOAM 130X130		
2	DJ67-30177A	CAP SWITCH	NR,FANTAGE ORG.,VC-W114,-,-	1	
3	3402-001018	ROCKER-SWITCH	125VAC,16A,DPST,0N-OFF	1	
4		MOTOR ASSY		1	
4_1		SCREW	PH T2 4X22(STS)	7	
4_2, 4_3	DJ72-30330A	COVER-MOTOR ASSY	ABS,WHT,-,VC-W114,-,-	1	
4_4	DJ73-00003A	CUSHION-MOTOR B	NR,BLK,VC-W113,-	1	
4_5	DJ63-00002A	FILTER-GRILLE	PE-FOAM,T3,W75,L75,BLK,VC-	1	
4_6	DJ73-00002A	CUSHION-MOTOR	NR,BLK,VC-W113,-	1	
4_7	DJ31-30186B	MOTOR-FAN AC	VB2213DA020,240V,50HZ,5.0A	1	VCW113SW
4_8		SCREW	PH T1 5X32(STS)	2	COMMON
4_9	DJ63-00003A	FILTER-OUTLET	CLOTH,T2,W12,L510,WHT,VC-W	1	COMMON
4_10	DJ41-00001B	PBA-MAIN	VC-W113,BODY,220V,50/60HZ,-	1	COMMON
4_11		SCREW	PHT2 3X12(STS)	1	
5	DJ39-10126C	CBF-POWER	CP2 P14.0,MOLDING,L9400,-,VDE,	1	VCW113SW
5	DJ39-10126D	CBF-POWER	BF3,MOLDING,L9400,SUB GRY,ASTA	1	NIGERIA,KUMANTI
6	DJ96-10177A	ASSY-BODY MID	VC-W114,-	1	VCW113SW20, VCW113SW30
6	DJ96-10177B	ASSY-BODY MID	VC-W113,BLU	1	VCW113SW2B, VCW113SW3B
6_1	DJ63-40180A	FILTER-GRILLE	PE,T5,W55,L100,BLK,VC-W114	1	
6_2	DJ72-10251A	BODY-MID	FANTAGE ORG.,VC-W114,-,EXP	1	VCW113SW20, VCW113SW30
6_2	DJ72-10251B	BODY-MID	PP,BLU,-,VC-W113,-,-	1	VCW113SW2B, VCW113SW3B
6_3		GASKET DUST	PE FORM	1	
7	DJ63-40184A	FILTER-GRILLE	PE-FOAM,T10,W150,L700,-,VC	1	
8	DJ71-90001A	FLOAT	PP,T2.8,W35.5,L63.5,-,BLK,VC-W	1	
9	DJ61-30141A	SUPT	PP,PANTAGE ORG.,VC-W114,-,-	1	
10	DJ61-30142A	SUPT-FILTER	PP,FANTAGE ORG,GY-2529,VC-W1	1	
11	DJ67-10199A	HOLDER-PACKING	PP,BLK,-,VC-W114,-,-	1	
12	DJ73-30130A	PACKING-DUST	PVC,BLK,VC-W114,-	1	
13	DJ72-60135A	GUIDE-DRAIN	PP,-,MISTY GRY,-,VC-W114	1	
14	DJ61-10121A	CLAMPER-ASSY	PP,SUB GRY,-,VC-W114,-,-	4	
14_1		CLAMP-B	ABS	4	
14_2		CLAMP-A	ABS	4	
14_3		PIN CLAMP	STS-304	4	
15	DJ72-10252A	BODY-BASE	PP,MISTY GRY,BJ-730(2576),VC-W	1	
16	DJ72-10253A	BODY-CLAMPER	ABS,MISTY GRY,HG-0760,VC-W1	1	
17	DJ66-70228A	ROLLER-ASSY	PP,MISTY GRY,-,VC-W114,-,ACC	2	
18	DJ66-70228B	ROLLER-ASSY	PP,MISTY GRY,-,VC-W114,-,-	2	

## 6-2 Assembly-Brush



Location No.	Code No.	Description	Specifiction	QOty	Remarks
	DJ 67-60178C	ASSY-BRUSH	ASSY	1	
1	DJ 67-50103C	PIPE-CONNECTOR	NYLON6(S/GRY)	1	
2	DJ 61-60102B	NECK-HOLDER	PP (S/GEY)	1	
3	DJ 66-70207B	WHEEL-BRUSH ASSY	PVC (S/GRY)	1	
4	DJ 72-30290B	COVER-BRUSH	PP (S/GRY)	1	
5	DJ 67-20147A	BASE BRUSH	ABS	1	
6	DJ 67-60176A	BASE NOZZLE	ABS+URETAN	2	
7	DJ 66-70165C	SPRING-BRUSH	MSWR	2	
8	DJ 72-10225B	BODY-BRUSH	PE	1	
9	DJ 67-10187A	HOLDER-BRUSH	ASSY	1	
10	DJ 67-30159B	CAP BRUSH	PP (S/GRY)	1	
11	DJ 66-50144B	LEVER FOOT	ABS (S/GRY)	1	
12	DJ 63-70117A	SPACER BRUSH	PVC+WOOL	2	

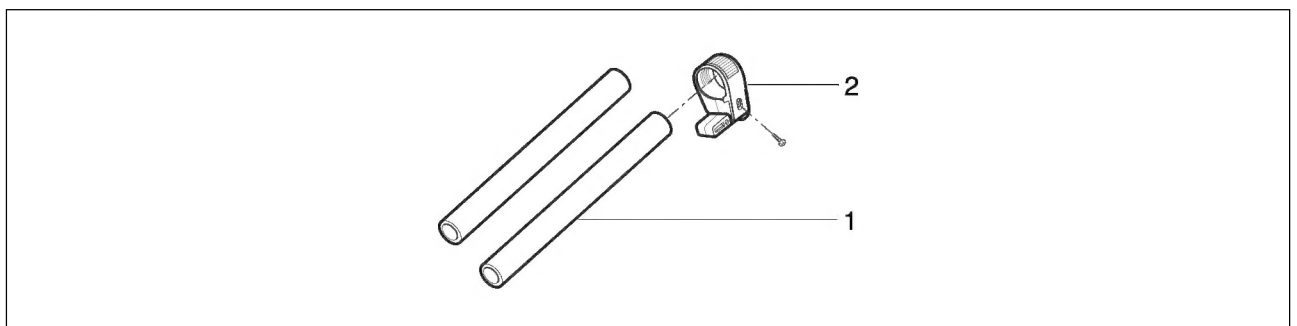
## 6-3 Assembly Hose



### MODEL : VC-W114

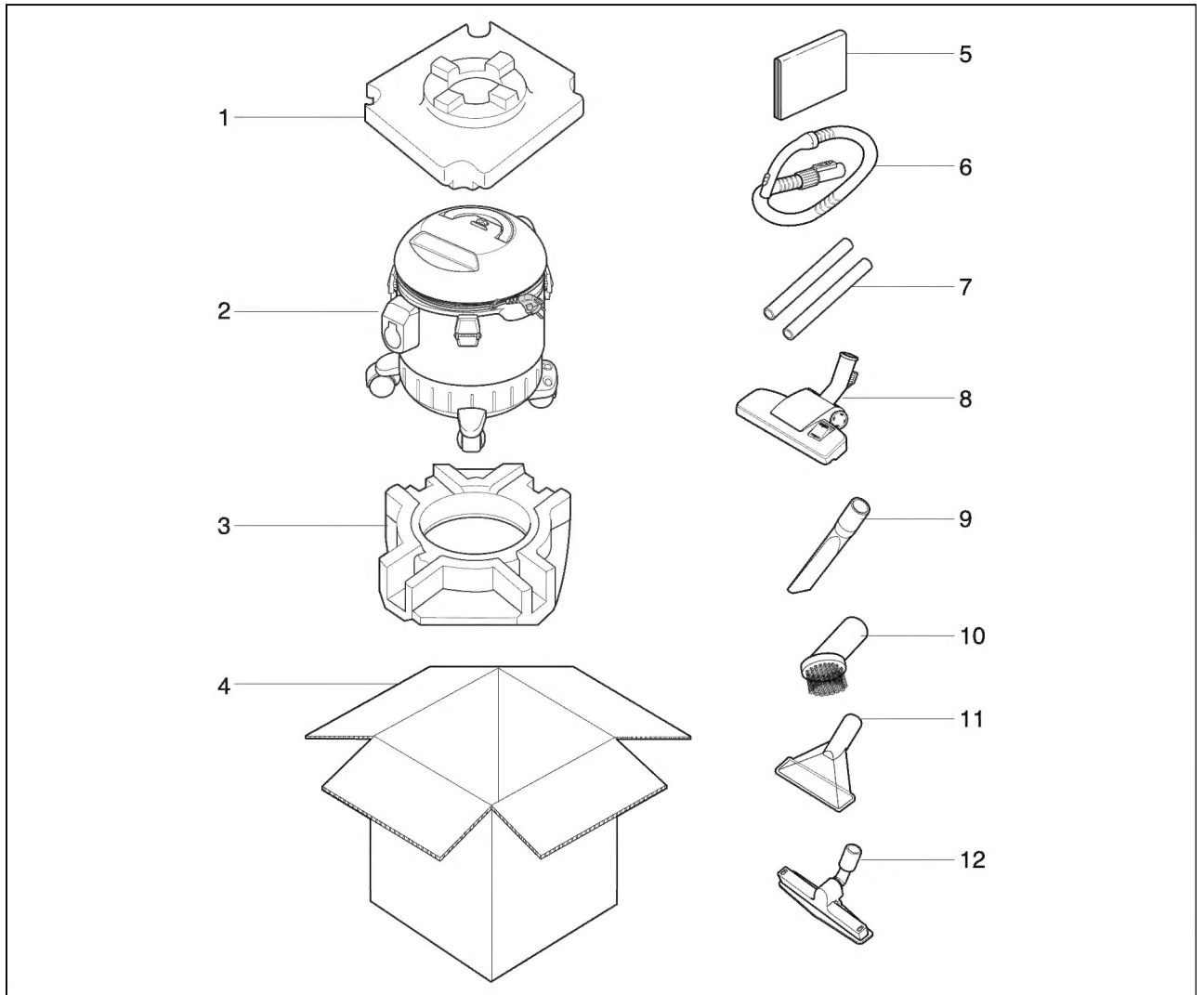
Location No.	Code No.	Description	Specification	Qty	Remarks
1	DJ 67-40165A	HOSE-ASSY	ASSY	1	
2	DJ 61-20100B	GUIDE-AIR	ABS (SUB/GRY)	1	
3	DJ 67-50104B	PIPE-HANDLE	PP (SUB/GRY)	1	
4	DJ 67-10142B	HOLDER-HOSE	PP (SUB/GRY)	1	
5	DJ 67-30139B	ENCLOSURE-HOSE	PP (SUB/GRY)	1	
6	DJ 67-40102A	HOSE-WIRELESS	EVA (SUB/GRY)	1	
7	DJ 61-10120A	CLAMPER-DUST	ABS (S/GRY)	1	
8		SPRING-BUTTON	HSWR	1	
9		KNOB-CLAMPER	ABS (S/GRY)	1	
10		COVER-CLAMPER	ABS (S/GRY)	1	

## 6-4 Assembly-Pipe



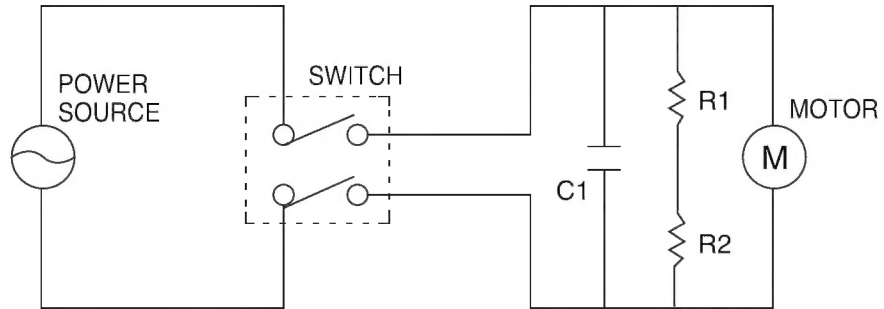
Location	Code No.	Description	Specification	Qty	Remarks
1	DJ 67-50124A	PIPE-STEEL	SUS	2	
	DJ 67-50133C	PIPE-FRICTION	PP (S/GRY)	2	
2	DJ 61-90113G	HANGER-PIPE	PP (S/GRY)	1	

## 7. Packing Diagram and Parts List



Location	Code No.	Description	Specification	Qty	Remarks
1		PACKING INNER, UP	EPS	1	
2		VACUUM CLEANER		1	
3		PACKING INNER, LOW	EPS	1	
4		PACKING-CASE	SW3		
5		INSTRUCTION-BOOK	MOJOJI	1	
6		HOSE ASSY	ASSY	1	
7		PIPE		2	
8	DJ 67-60178C	BRUSH		1	
9	DJ 67-50153D	CREVICE TOOL		1	
10	DJ 67-60149A	DUSTING BRUSH		1	
11	DJ 67-60190A	UPHOLSTERY BRUSH		1	
12	DJ 67-60193A	WATER BRUSH		1	

## 8. Schematic diagrams



Location No.	Spec	Code No	Description
C1	275VAC 154K	2306-001636	CAPACITOR
R1	1/2W 470K-J	2001-001150	R-CARBON
R2	1/2W 470K-J	2001-001150	R-CARBON