



8mm CAMCORDER

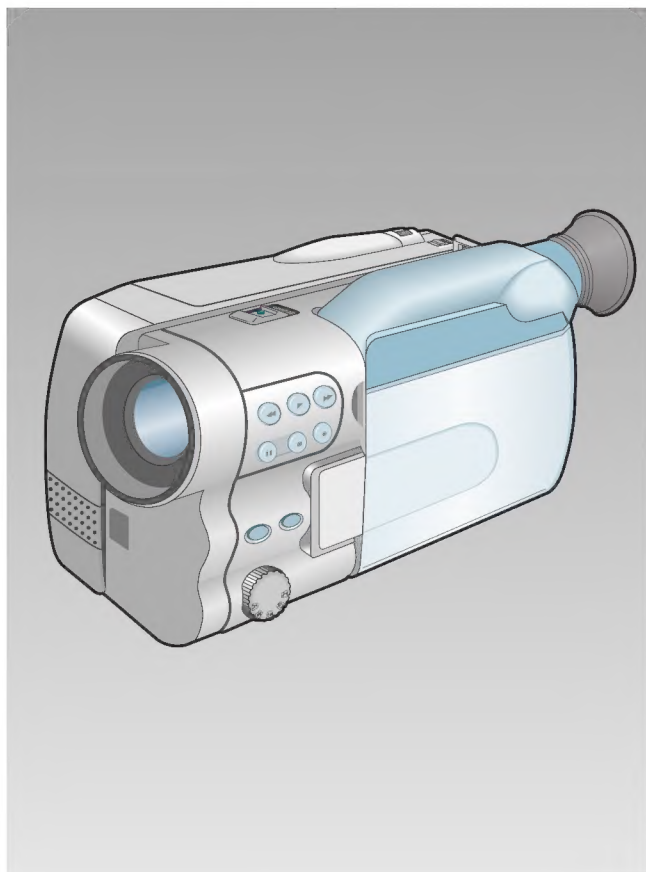
VP-L100/VP-L150

SCL100/SCL150

SERVICE *Manual*

For mechanical disassembly and adjustment, refer to the "Mechanical Manual" (DE-6 → AD68-30200A).

8mm CAMCORDER



CONTENTS

1. Precautions
2. Reference Information
3. Product Specifications and Comparison Chart
4. Disassembly and Reassembly
5. Alignment and Adjustment
6. Exploded View and Parts List
7. Electrical Parts List
8. Block Diagrams
9. PCB Diagrams
10. Wiring Diagram
11. Schematic Diagrams

1. Precautions

1. Be sure that all of the built-in protective devices are replaced. Restore any missing protective shields.
2. When reinstalling the chassis and its assemblies, be sure to restore all protective devices, including : control knobs and compartment covers.
3. Make sure that there are no cabinet openings through which people--particularly children --might insert fingers and contact dangerous voltages. Such openings include the spacing between the picture tube and the cabinet mask, excessively wide cabinet ventilation slots, and improperly fitted back covers.

If the measured resistance is less than 1.0 megohm or greater than 5.2 megohms, an abnormality exists that must be corrected before the unit is returned to the customer.

4. Leakage Current Hot Check (See Fig. 1) :
Warning : Do not use an isolation transformer during this test. Use a leakage current tester or a metering system that complies with American National Standards Institute (ANSI C101.1, *Leakage Current for Appliances*), and Underwriters Laboratories (*UL Publication UL1410, 59.7*).
5. With the unit completely reassembled, plug the AC line cord directly the power outlet. With the unit's AC switch first in the ON position and then OFF, measure the current between a known earth ground (metal water pipe, conduit, etc.) and all exposed metal parts, including : antennas, handle brackets, metal cabinets, screwheads and control shafts. The current measured should not exceed 0.5 milliamp. Reverse the power-plug prongs in the AC outlet and repeat the test.
6. X-ray Limits :
The picture tube is designed to prohibit X-ray emissions. To ensure continued X-ray protection, replace the picture tube only with one that is the same type as the original.

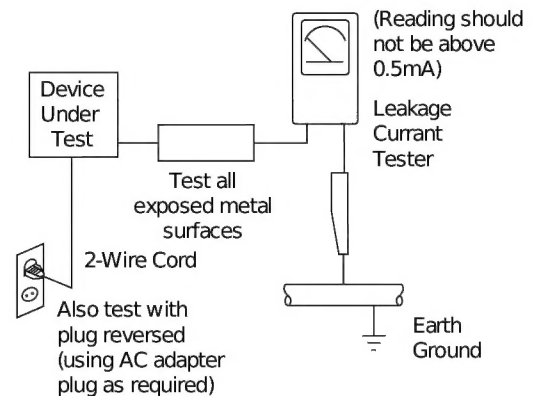


Fig. 1 AC Leakage Test

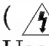
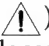
7. Antenna Cold Check :
With the unit's AC plug disconnected from the AC source, connect an electrical jumper across the two AC prongs. Connect one lead of the ohmmeter to an AC prong. Connect the other lead to the coaxial connector.
8. High Voltage Limit :
High voltage must be measured each time servicing is done on the B+, horizontal deflection or high voltage circuits.

Heed the high voltage limits. These include the *X-ray protection Specifications Label*, and the *Product Safety and X-ray Warning Note* on the service data schematic.
9. Some semiconductor ("solid state") devices are easily damaged by static electricity. Such components are called Electrostatically Sensitive Devices (ESDs); examples include integrated circuits and some field-effect transistors. The following techniques will reduce the occurrence of component damage caused by static electricity.
10. Immediately before handling any semiconductor components or assemblies, drain the electrostatic charge from your body by touching a known earth ground. Alternatively, wear a discharging Wrist-strap device. (Be sure to remove it prior to applying power--this is an electric shock precaution.)

Precautions

11. High voltage is maintained within specified limits by close-tolerance, safety-related components and adjustments. If the high voltage exceeds the specified limits, check each of the special components.
12. Design Alteration Warning :
Never alter or add to the mechanical or electrical design of this unit. Example : Do not add auxiliary audio or video connectors. Such alterations might create a safety hazard. Also, any design changes or additions will void the manufacturer's warranty.
13. Hot Chassis Warning :
Some TV receiver chassis are electrically connected directly to one conductor of the AC power cord. If an isolation transformer is not used, these units may be safely serviced only if the AC power plug is inserted so that the chassis is connected to the ground side of the AC source.

To confirm that the AC power plug is inserted correctly, do the following : Using an AC voltmeter, measure the voltage between the chassis and a known earth ground. If the reading is greater than 1.0V, remove the AC power plug, reverse its polarity and reinsert. Re-measure the voltage between the chassis and ground.
14. Some TV chassis are designed to operate with 85 volts AC between chassis and ground, *regardless of the AC plug polarity*. These units can be safely serviced *only* if an isolation transformer inserted between the receiver and the power source.
15. Never defeat any of the B+ voltage interlocks.
Do not apply AC power to the unit (or any of its assemblies) unless all solid-state heat sinks are correctly installed.
16. Always connect a test instrument's ground lead to the instrument chassis ground *before* connecting the positive lead; always remove the instrument's ground lead last.
17. Observe the original lead dress, especially near the following areas : Antenna wiring, sharp edges, and especially the AC and high voltage power supplies. Always inspect for pinched, out-of-place, or frayed wiring. Do not change the spacing between components and the printed circuit board. Check the AC power cord for damage. Make sure that leads and components do not touch thermally hot parts.
18. Picture Tube Implosion Warning :
The picture tube in this receiver employs "integral implosion" protection. To ensure continued implosion protection, make sure that the replacement picture tube is the same as the original.
19. Do not remove, install or handle the picture tube without first putting on shatterproof goggles equipped with side shields. Never handle the picture tube by its neck. Some "in-line" picture tubes are equipped with a permanently attached deflection yoke; do not try to remove such "permanently attached" yokes from the picture tube.
20. Product Safety Notice :
Some electrical and mechanical parts have special safety-related characteristics which might not be obvious from visual inspection. These safety features and the protection they give might be lost if the replacement component differs from the original—even if the replacement is rated for higher voltage, wattage, etc.

Components that are critical for safety are indicated in the circuit diagram by shading, ( or ).
Use replacement components that have the same ratings, especially for flame resistance and dielectric strength specifications. A replacement part that does not have the same safety characteristics as the original might create shock, fire or other hazards.

3. Product Specifications and Comparison Chart

3-1 Product Specifications (SCL100 / SCL150)

Design and specifications are subject to change without notice.

Operation	Description
SYSTEM	
LCD	Three-inch color TFT Liquid Crystal Display (LCD) screen
Recording systems	Video : Two rotary heads, helical FM scanning / Audio : FM stereo system
Video signal	NTSC color, EIA standard
Cassette format	8 mm
Tape speed	SP mode (Standard Play) : approx. 14.345 mm/sec
Recording/Playback time	SP mode (Standard Play) : 1 hour (P6-60)
Fast-forward/rewind time	Approx. 3 minute 30 seconds (P6-60)
Image device	CCD (Charge Coupled Device)
Viewfinder	Black and White electronic viewfinder
Lens	Combined 16X power zoom and (32X:SCL100, 64X:SCL150) digital zoom lens, f=3.9 ~ 62.4mm, F1.4 Auto wide macro, Filter diameter 46mm.
Automatic focus system	Inner
Color temperature	Auto
Aperture correction	Automatic with back light adjustment
OUTPUT CONNECTORS	
Video output	Mini jack, 1Vp-p, 75 ohms, unbalanced, SYNC negative
Audio output	Mini jack, 7.5dBs for an output impedance of less than 2.2 Kohms
GENERAL	
Power requirement	AC power adapter (7.2V) ; battery pack (6.0V)
Power consumption	6.5W (Camera Recording, LCD on)
Tripod attachment thread	Attachment screw less than 6mm long
Microphone	Electric condensor microphone, omni-directional, monaural type
Temperature range	Operating : 0°C to 40°C (32°F to 104°F); storage : -20°C to 60°C (-4°F to 140°F)
Dimensions/weight	Approx. 213 X 116 X 107 mm (L X H X W); Approx. 1000 g Excluding battery pack and cassette.

3-2 Product Specifications (VP-L100 / VP-L150)

Design and specifications are subject to change without notice.

Operation	Description
SYSTEM	
LCD	Three-inch colour TFT Liquid Crystal Display (LCD) screen
Recording systems	Video : Two rotary heads, helical FM scanning / Audio : FM stereo system
Video signal	PAL colour, CCIR standard
Cassette format	8 mm
Tape speed	SP mode (Standard Play) : approx. 20.051 mm/sec
Recording/Playback time	SP mode (Standard Play) : 1 hour (P5-60)
Fast-forward/rewind time	Approx. 4 minute (P5-60)
Image device	CCD (Charge Coupled Device)
Viewfinder	Black and White electronic viewfinder
Lens	Combined 16X power zoom and 32X(VP-L150) digital zoom lens, f=3.9 ~ 62.4mm, F1.4 Auto wide macro, Filter diameter 46mm.
Automatic focus system	Inner
Colour temperature	Auto
Aperture correction	Automatic with back light adjustment
OUTPUT CONNECTORS	
Video output	Mini jack, 1Vp-p, 75 ohms, unbalanced, SYNC negative
Audio output	Mini jack, 7.5dBs for an output impedance of less than 2.2 Kohms
GENERAL	
Power requirement	AC power adapter (7.2V) ; battery pack (6.0V)
Power consumption	6.5W (Camera Recording, LCD on)
Tripod attachment thread	Attachment screw less than 6mm long
Microphone	Electric condensor microphone, omni-directional, monaural type
Temperature range	Operating : 0°C to 40°C (32°F to 104°F); storage : -20°C to 60°C (-4°F to 140°F)
Dimensions/weight	Approx. 213 X 116 X 107 mm (L X H X W); Approx. 1000 g Excluding battery pack and cassette.

3-3 Comparison Chart

MODEL FUNCTION	VP-L100	VP-L150	SCL100	SCL150
VIEWFINDER	EVF	EVF	EVF	EVF
D.ZOOM	X16	X32 D.ZOOM	X32 D.ZOOM	X64 D.ZOOM
VIDEO	NORMAL	NORMAL	NORMAL	NORMAL
STEREO	X	X	X	X
EIS	X	O	X	O
LCD	3 inch	3 inch	3 inch	3 inch

MEMO

4. Disassembly and Reassembly

4-1 Cabinet and PCB

4-1-1 Ass'y Cover-Housing removal

❶ APPLY POWER AND EJECT THE COVER HOUSING.

❸ REMOVE THE ASS'Y COVER-HOUSING IN THE DIRECTION OF ARROW.

❷ REMOVE 2 SCREWS.

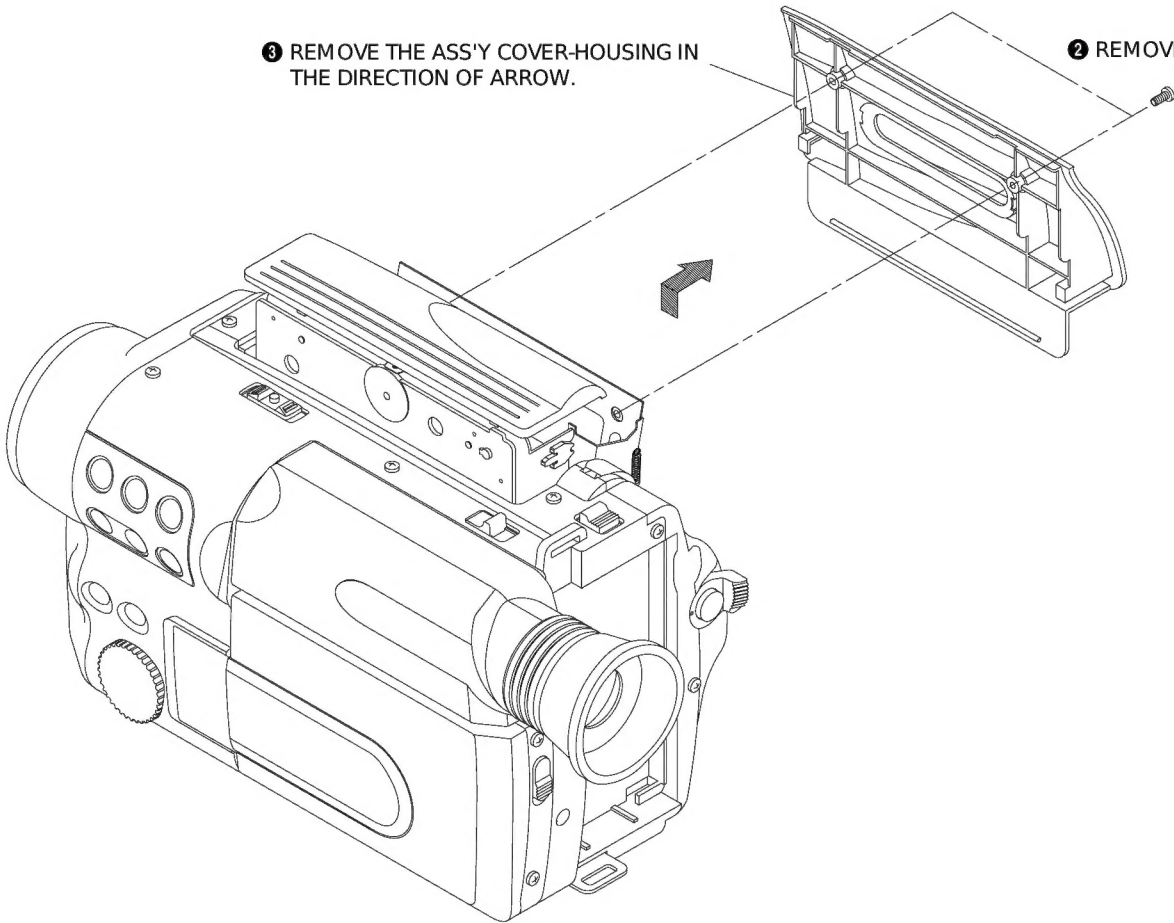
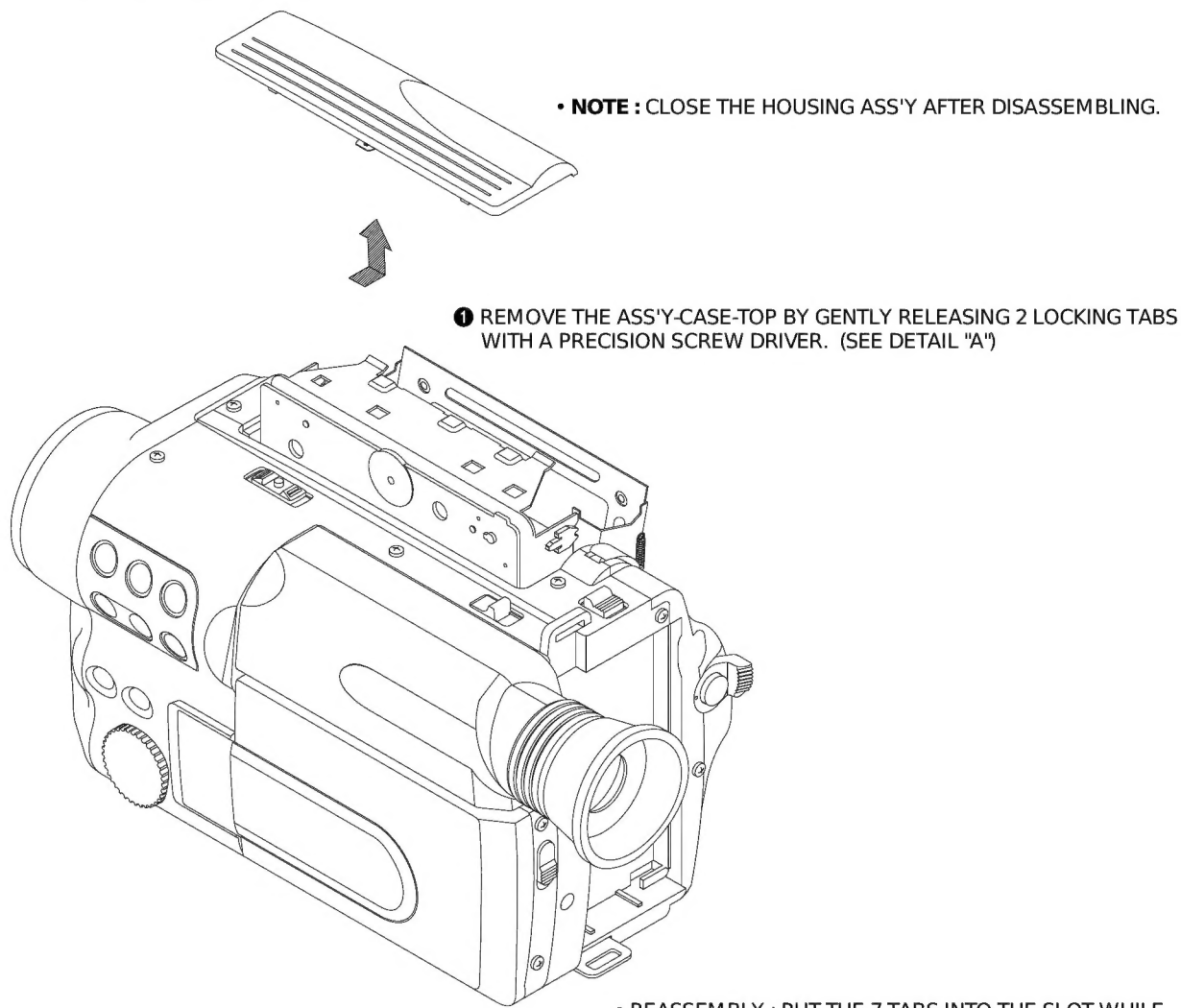
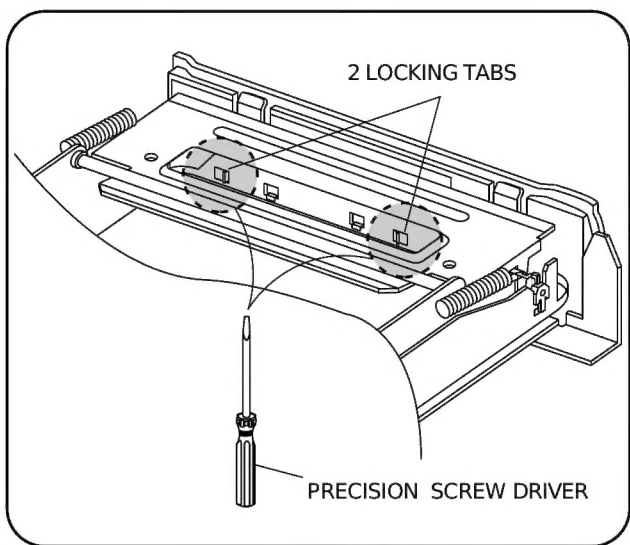


Fig. 4-1 Ass'y Cover-Housing removal

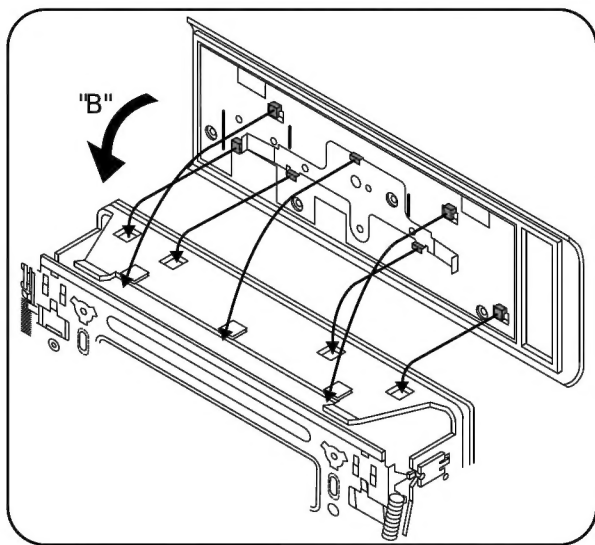
4-1-2 Ass'y Case-Top removal



• **REASSEMBLY** : PUT THE 7 TABS INTO THE SLOT WHILE SLIDING IT AS SHOWN IN DETAIL "B".



<DETAIL "A">



<DETAIL "B">

Fig. 4-2 Ass'y Case-Top removal

4-1-3 Ass'y Front removal

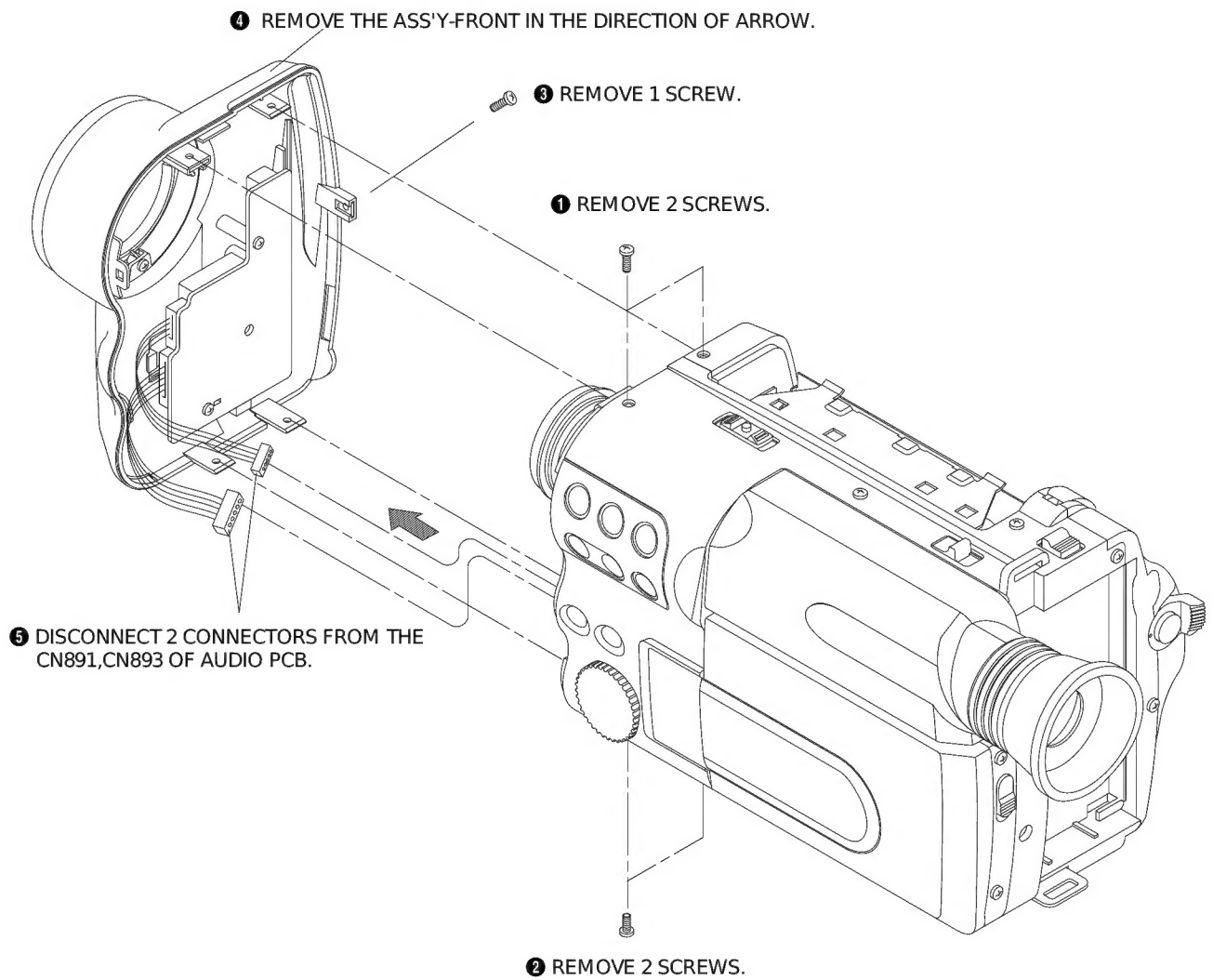


Fig. 4-3 Ass'y Front removal

4-1-4 Ass'y Case-Right removal

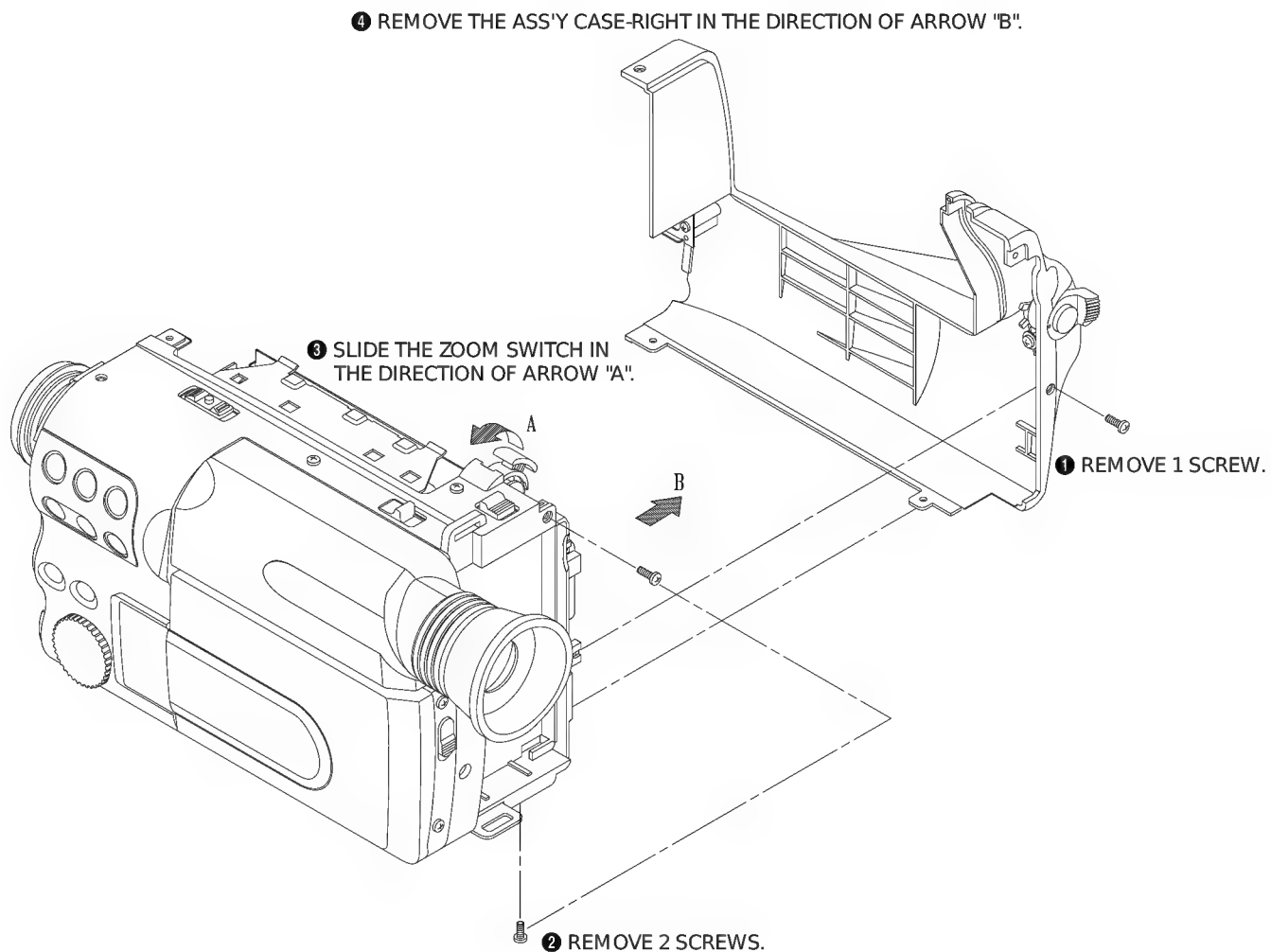


Fig. 4-4 Ass'y Case-Right removal

4-1-5 Ass'y Case-Left removal

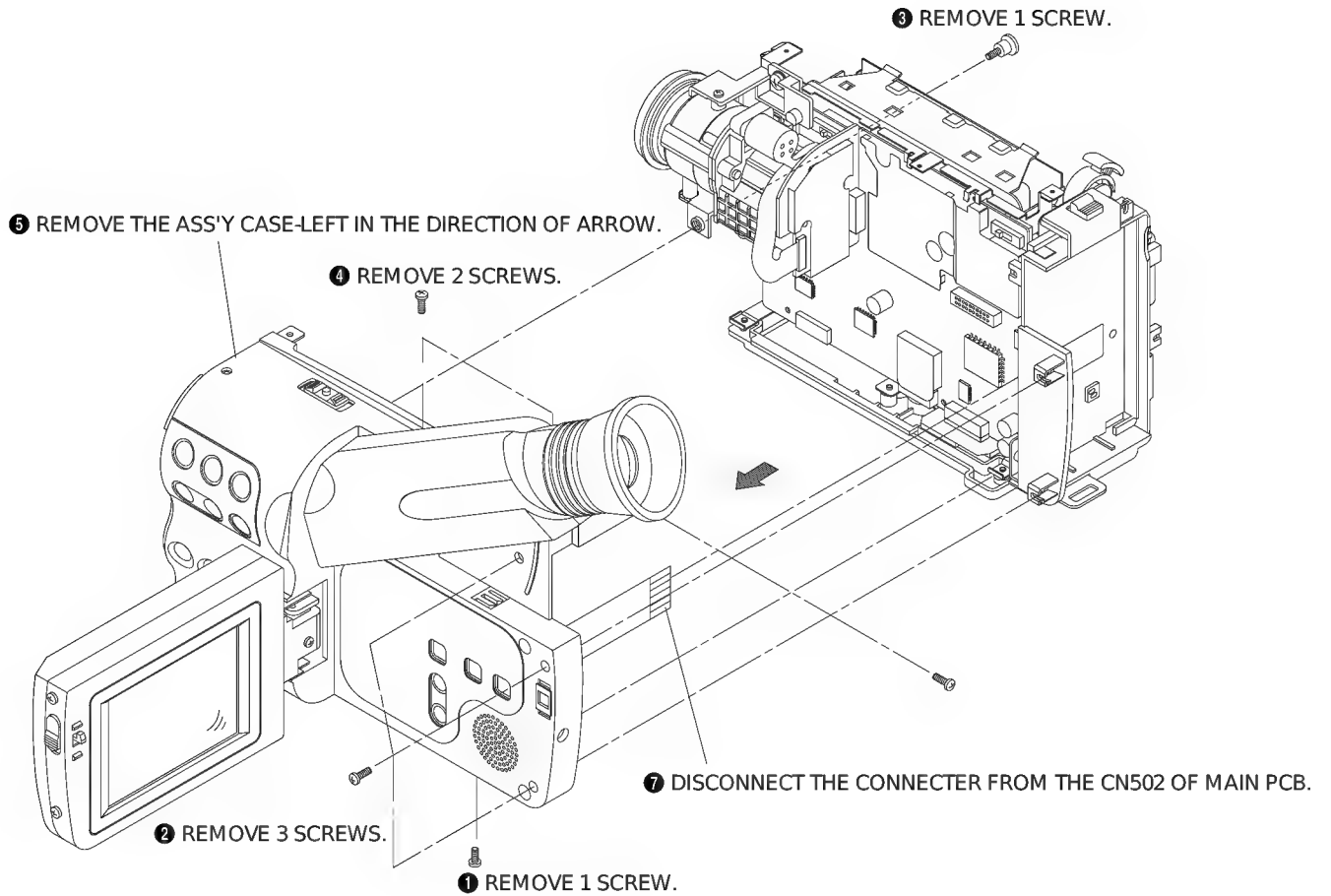


Fig. 4-5 Ass'y Case-Left removal

4-1-6 Ass'y Case-Battery removal

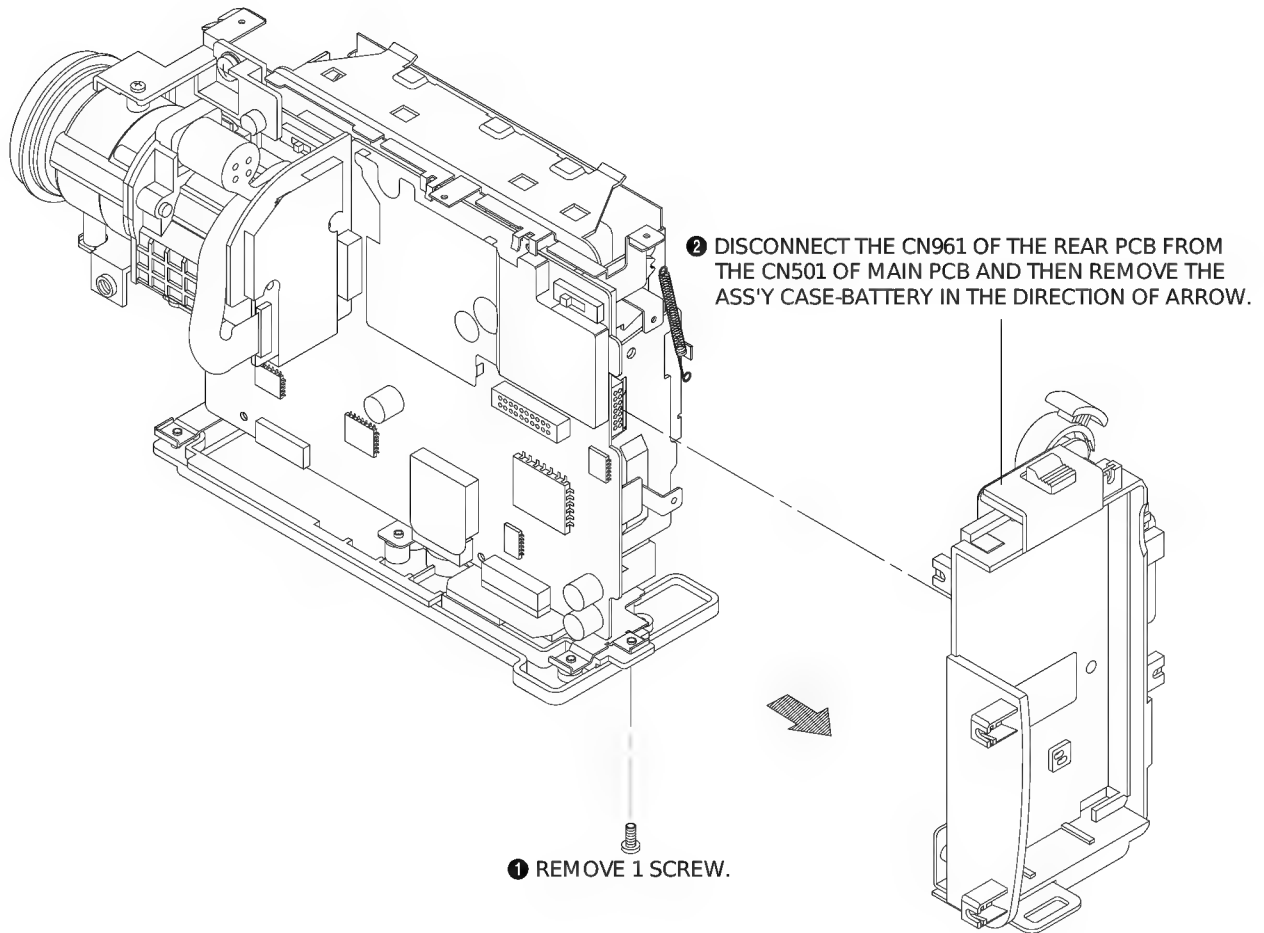


Fig. 4-6 Ass'y Case-Battery removal

4-1-7 Ass'y Case-Bottom removal

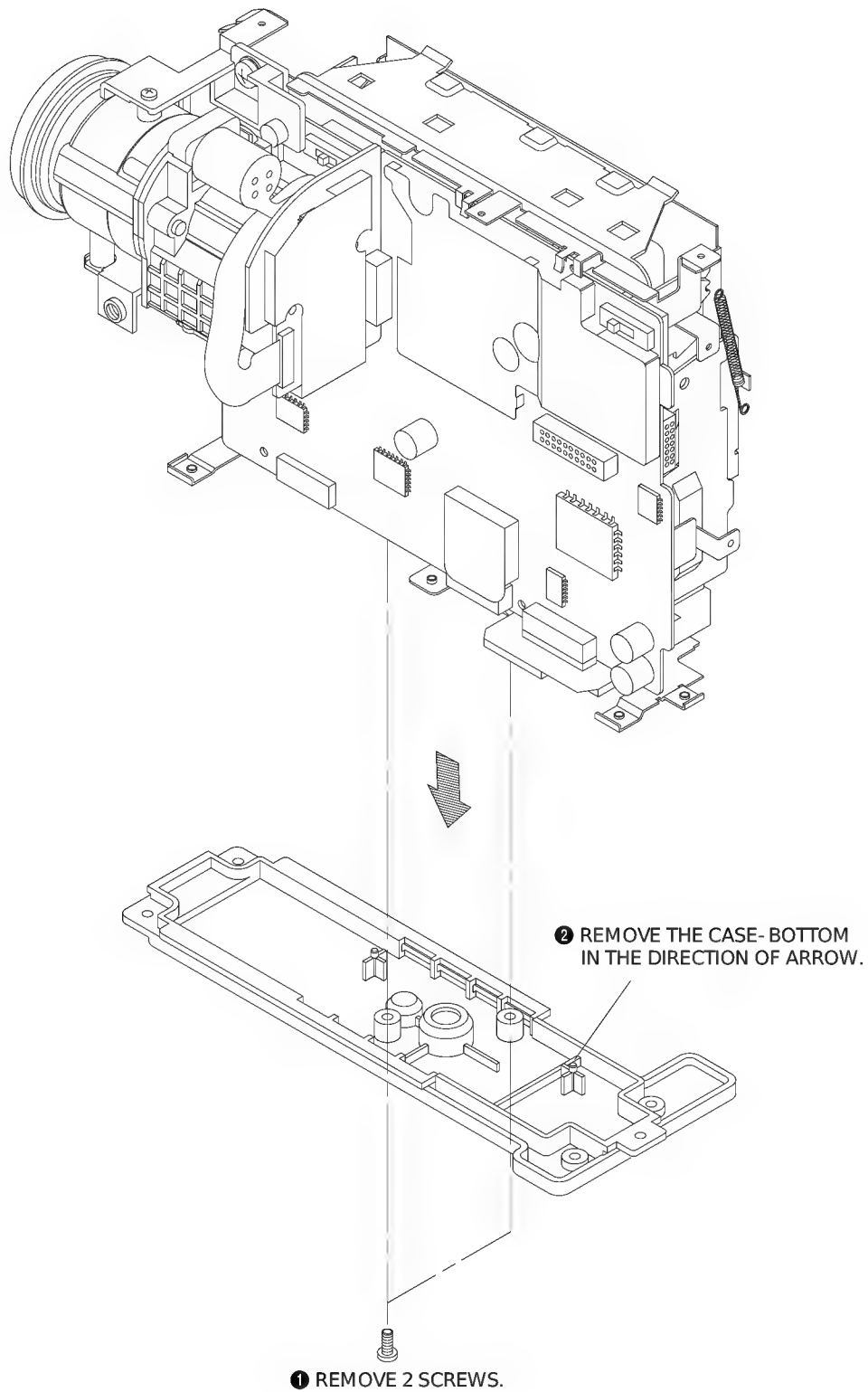


Fig. 4-7 Ass'y Case-Bottom removal

4-1-8 Ass'y-Deck removal

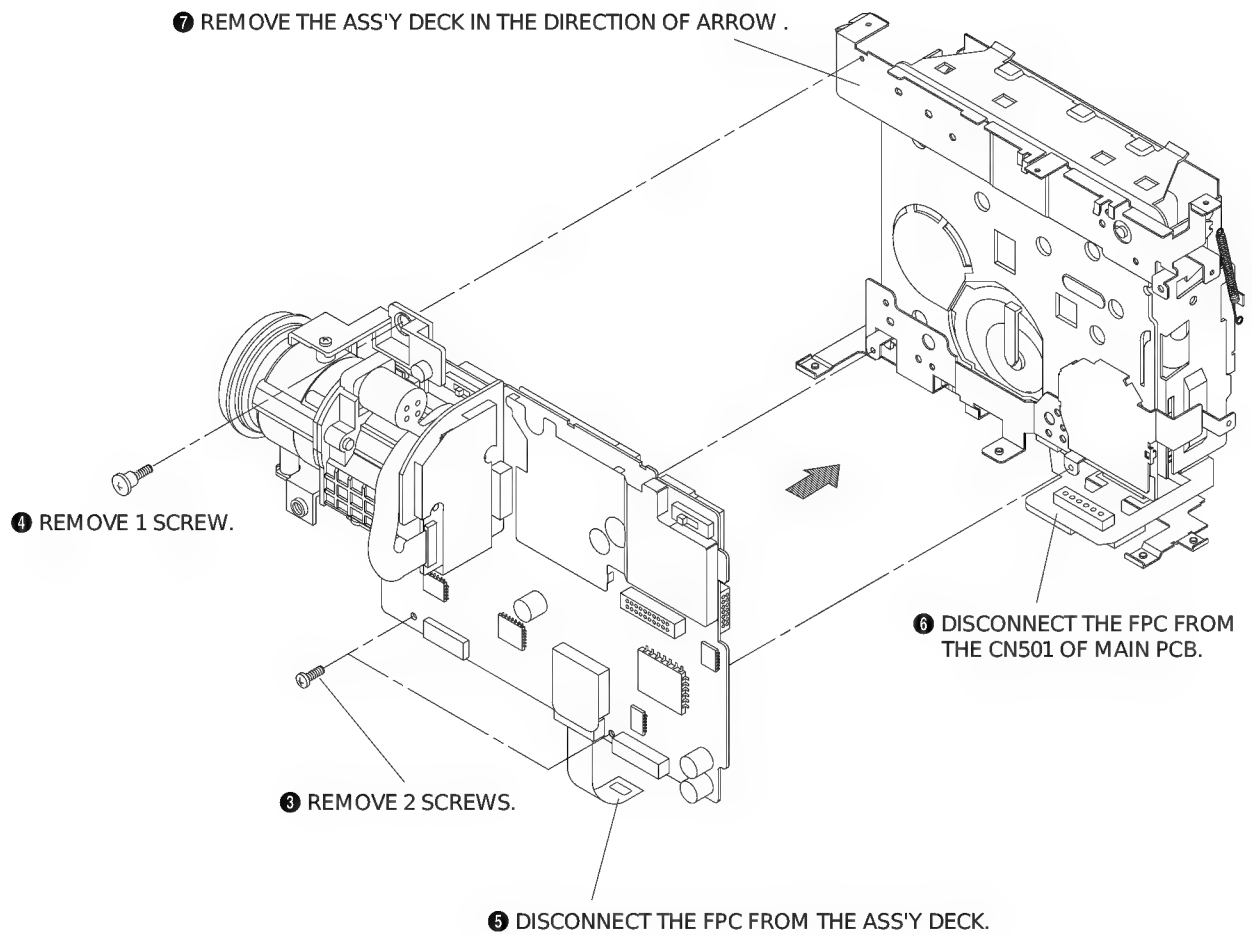


Fig. 4-8 Audio PCB and Ass'y-Deck removal

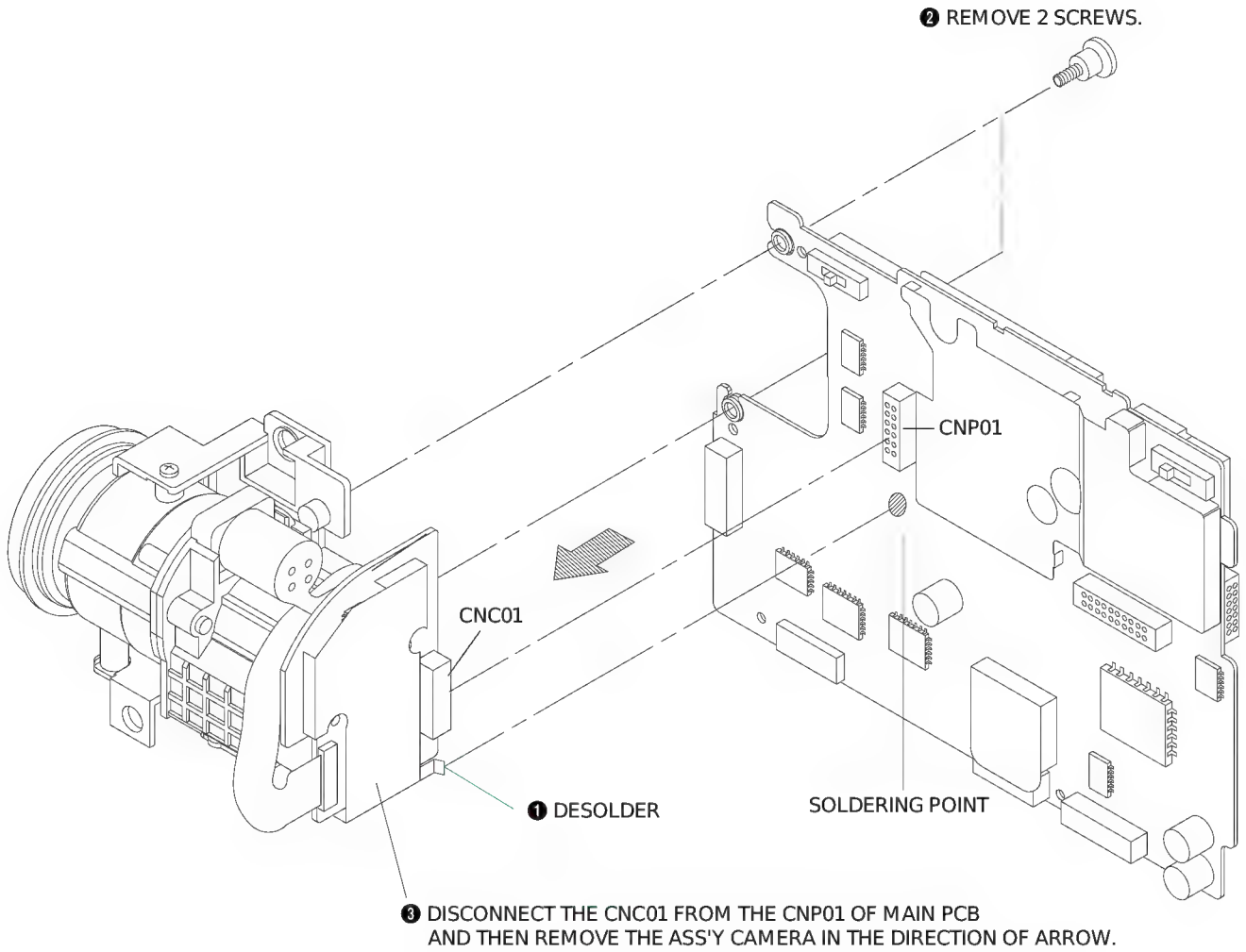
4-1-9 Ass'y Camera and Main PCB removal

Fig. 4-9 Ass'y Camera and Main PCB removal

4-1-10 Ass'y LCD removal

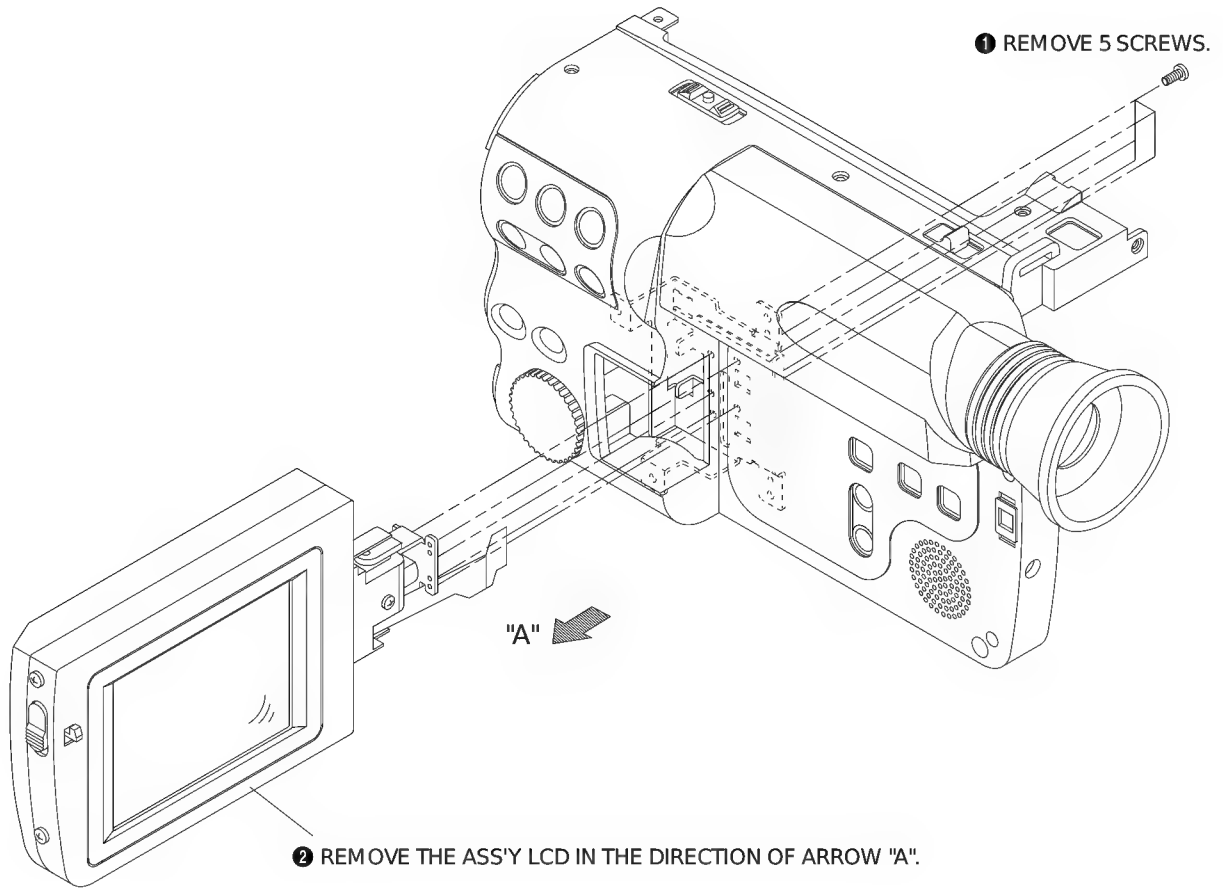


Fig. 4-10 Ass'y LCD removal

4-1-11 Ass'y EVF removal

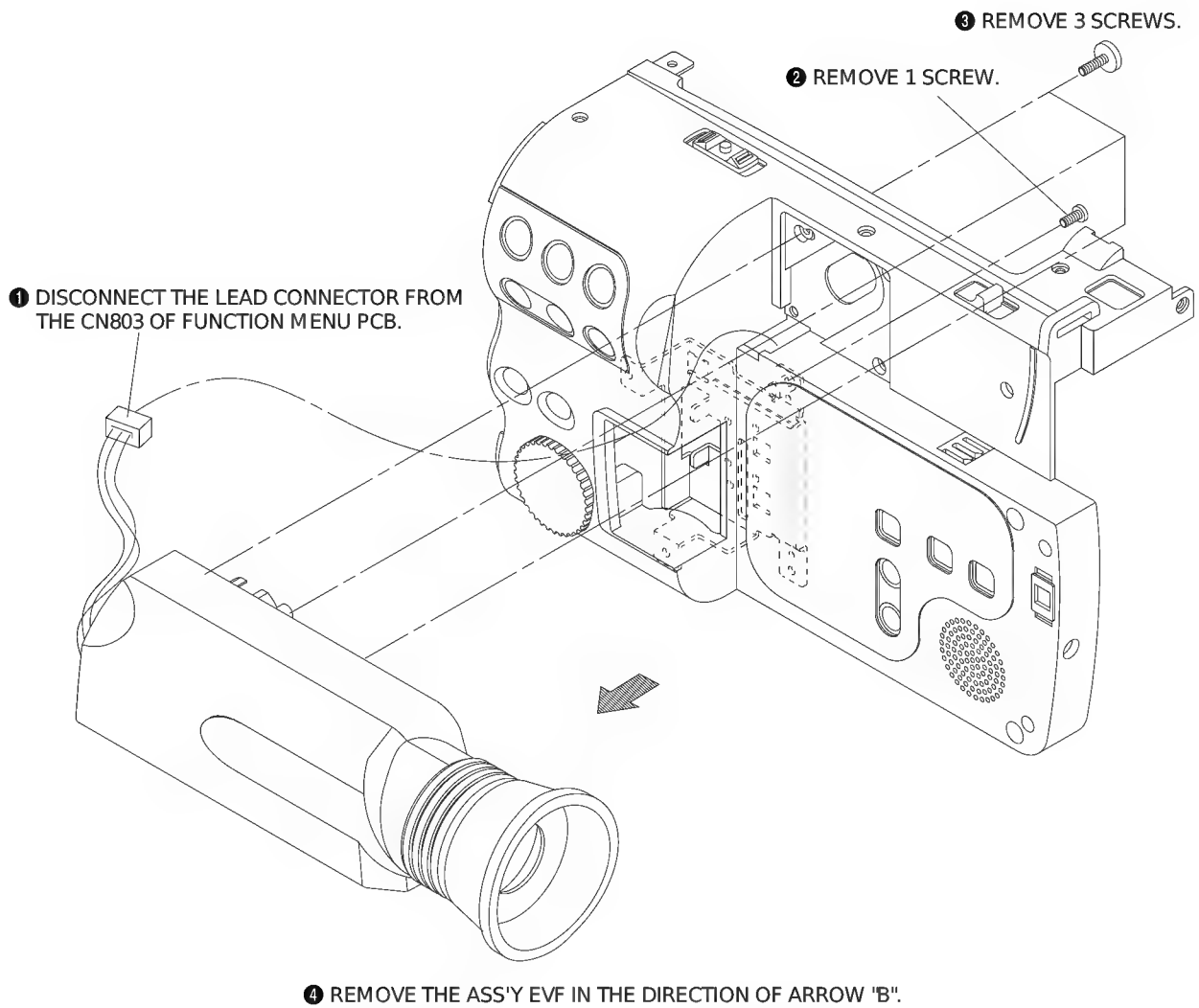


Fig. 4-11 Ass'y EVF removal

4-2 Circuit Boards Location

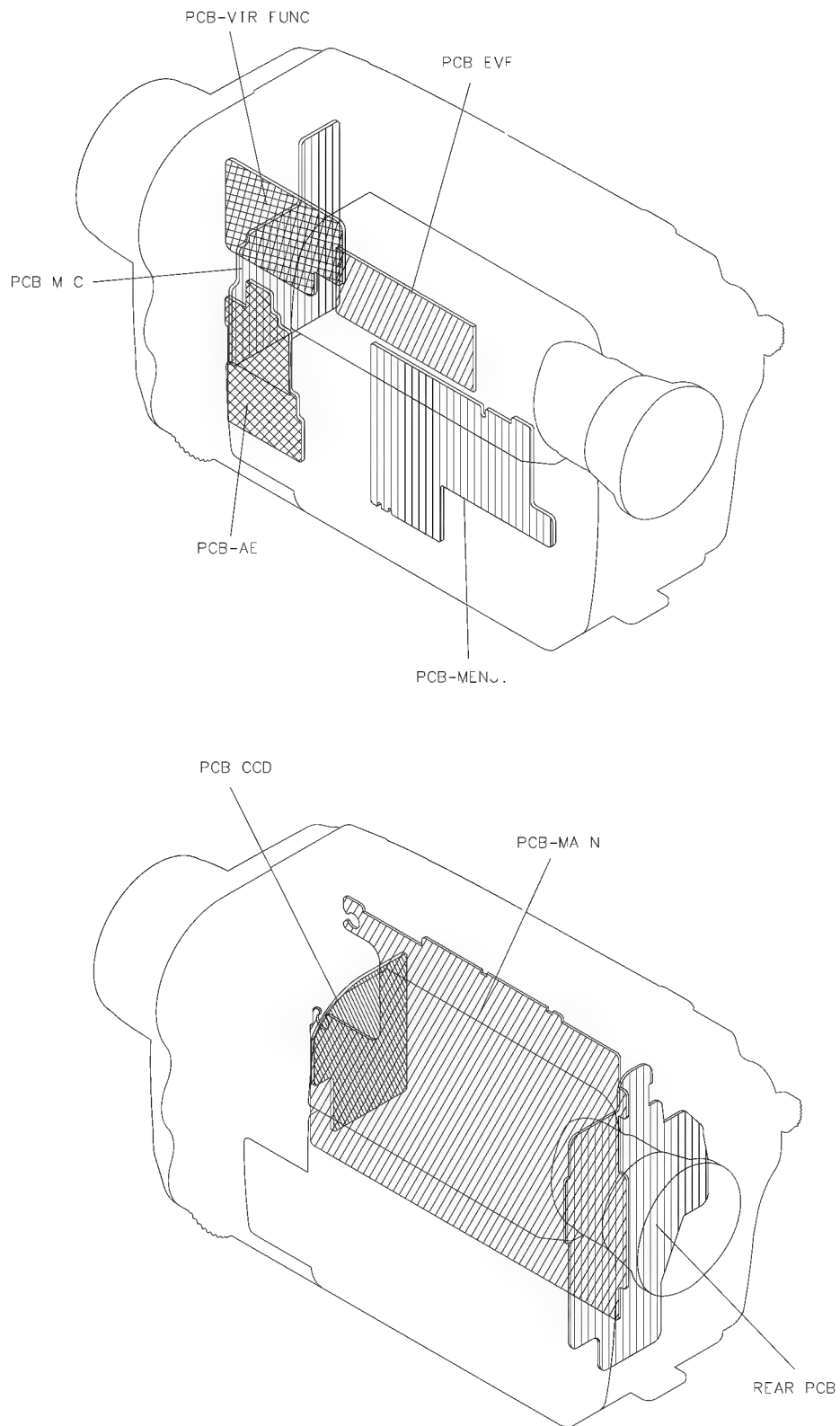


Fig. 4-12 Circuit Boards Location

4-3 Connector Diagram

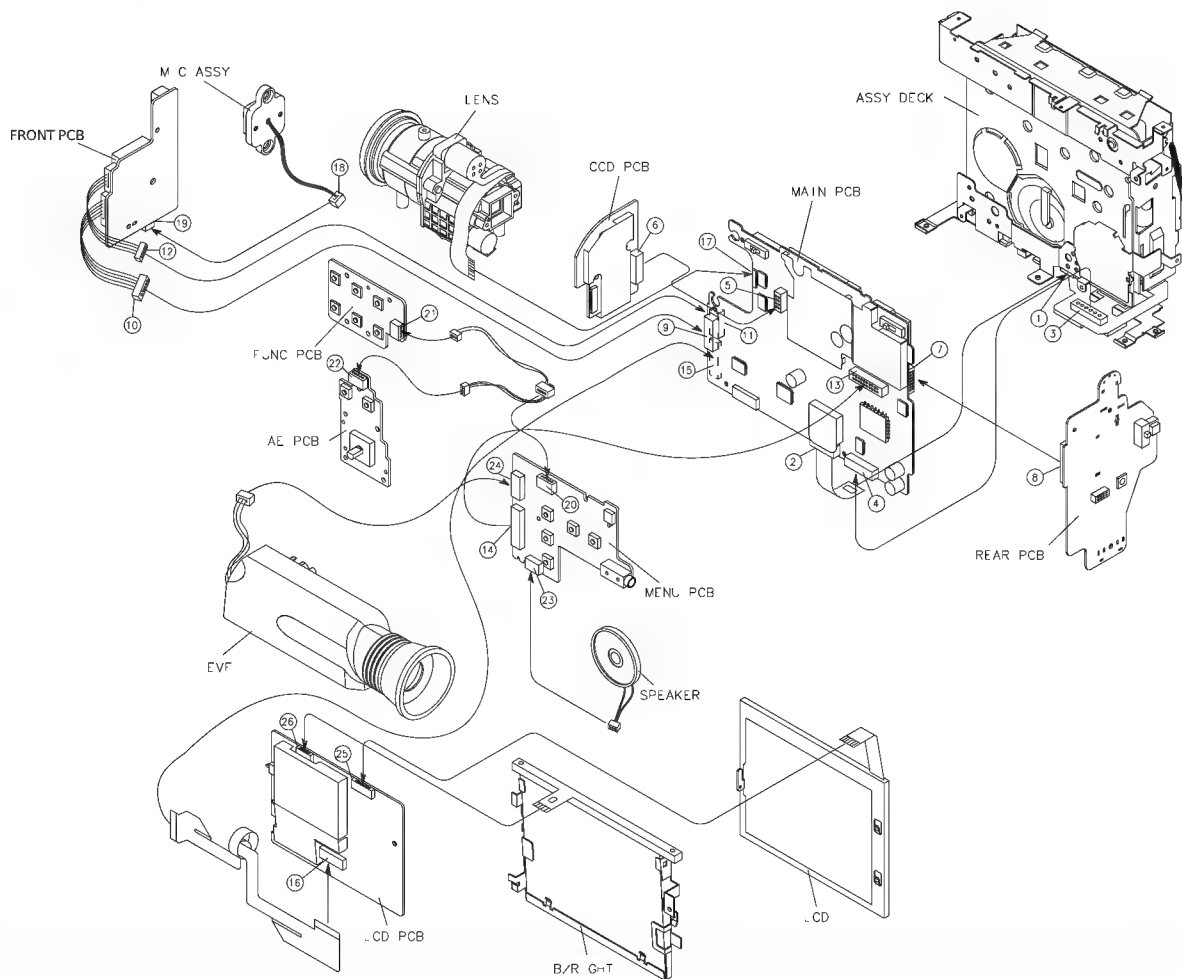


Fig. 4-13 Connector Diagram

NO.	CONNECTOR LOCA-NO.	DIRECTION		CONNECTOR LOCA-NO.	NO.
2	CN101	MAIN PCB	↔	DECK	1
4	CN503	MAIN PCB	↔	DECK	3
7	CN501	MAIN PCB	↔	REAR	CN961
19	CN892	MIC CPB	↔	MIC	18
11	CN851	MAIN PCB	↔	MIC PCB	CN891
9	CNP03	MAIN PCB	↔	MIC PCB	CN893
16	CNL201	LCD PCB	↔	MAIN PCB	CN702
25	CNL301	LCD PCB	↔	LCD	-
26	CNL102	LCD PCB	↔	B/LIGHT	-
-	CNE02	EVF	↔	MANU PCB	CN803
21	CN805	FUNC	↔	MENU	CN802
22	CN806	AE	↔	MENU	CN802
14	CN801	MENU	↔	MAIN	CN502
23	CN804	MENU	↔	SPEAKER	-
17	CNP02	MAIN PCB	↔	LENS	-
5	CNP01	MAIN PCB	↔	CCD PCB	CNC01
					6

Fig. 4-14

MEMO

5. Alignment and Adjustment

5-1 Mechanical Adjustment

* **Note 1** : Mechanical alignment is performed for the linearity of PB-RF(Envelope).

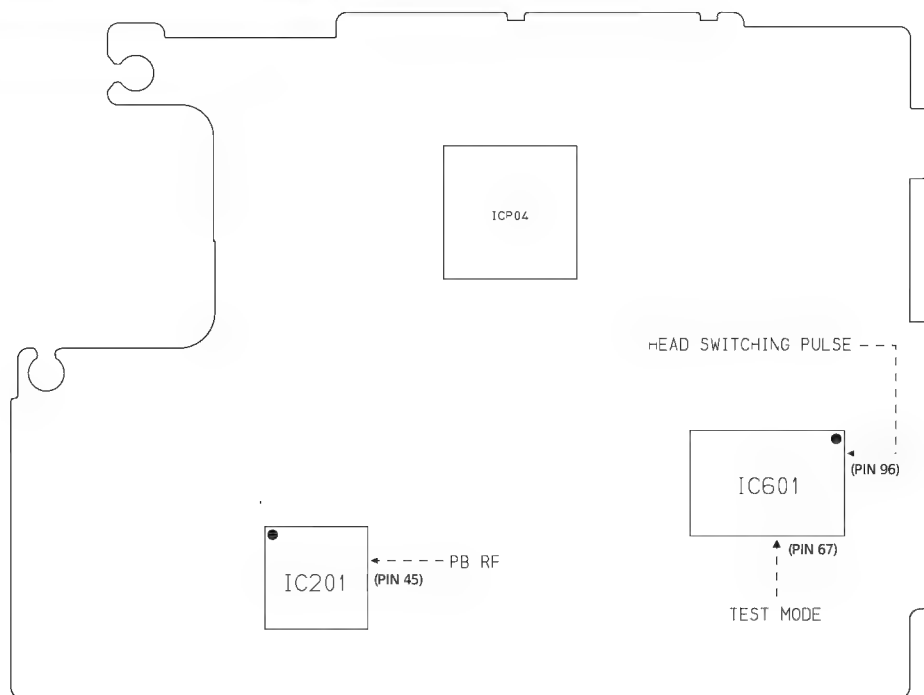
* **Note 2** : Refer to the mechanism manual "DE-6"(AD68-30200A) for the mechanism alignment.

- 1) Short between pin #67 of IC601 and GND in order to set the TEST MODE.(That's Track Shift Mode)
- 2) Connect the Head SW Pulse in CH1 and the PB-RF in CH2 to oscilloscope.
- 3) Refer to the Fig1 for the location of test point.
- 4) Play the alignment tape supplied, and fit the PB-RF form like as Fig1.
(Refer to the alignment manual of the DE-6 described above).
- 5) If the alignment is completed, then remove the short wire for the release of the test mode.

Test Point :

PB RF - Pin 45 of IC201

Head Switching Trigger - Pin 96 of IC601



Main PCB (Component Side)

Fig. 1 The location of test point

5-2 Camera Section Adjustment

Note :

1. This system has
 - 1) EEPROM to store the confirmed adjustment data.
 - 2) DSP (Digital Signal Process ; ICP04 - Main board) chip to process the signal of camera parts.
 - 3) One test point for the frequency adjustment of DSP main clock (P. CLK).
2. Keep in mind
 - 1) Readjustment is needed when the EEPROM (ICP10 of Main board) is replaced.
The reason is that EEPROM stores confirmed adjustment value of each adjustment step.

5-2-1 Preparations

1. Equipments to be used

- 1) DC Power supply
- 2) Oscilloscope
- 3) Frequency counter
- 4) Vectorscope
- 5) Waveform monitor
- 6) Color monitor or TV
- 7) Various charts
 - Color bar chart
 - Gray-scale chart, etc...
- 8) Alignment tape (Lion pattern)

2. Composition of camera P.C.Boards

- | | |
|-------------|------------|
| 1) Main PCB | 2) CCD PCB |
| 3) EVF PCB | 4) LCD PCB |

3. Adjustment preparations

- 1) Press the confirm button when each manual adjustment step is completed to write the adjustment data to the EEPROM.
- 2) After each adjustment step is completed, OSD shows "OK!".
- 3) To cancel the adjustment mode, remove the power source.

4. Menu Board

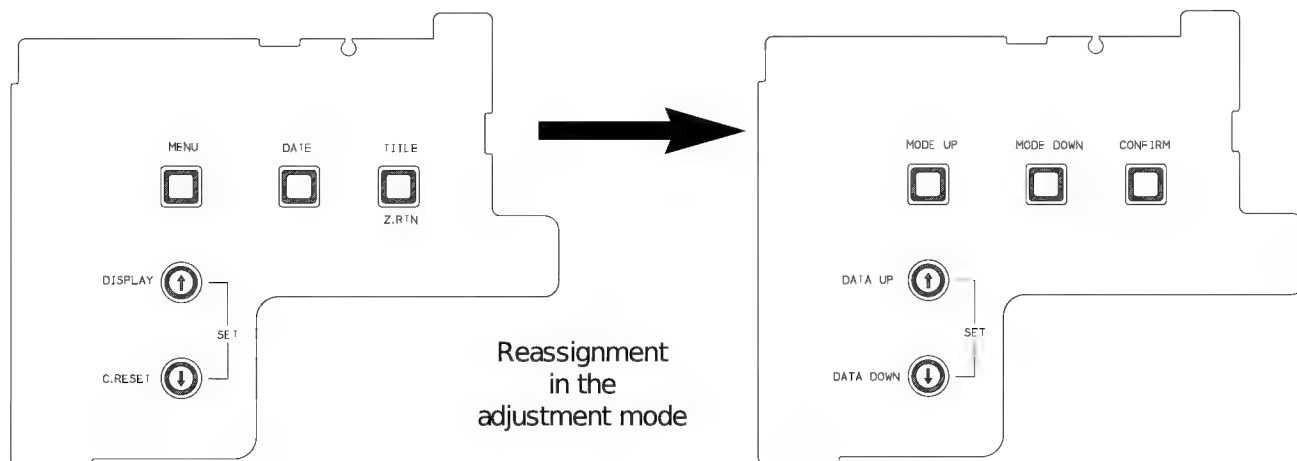
The following is a chart explaining the use of each button :

Using Button	Adjustment
TITLE (CONFIRM)	Data store after finishing adjustment by DATA UP/DOWN button.
C.RESET (DATA DOWN) DISPLAY (DATA UP)	When changing data value of adjust state.
MENU (MODE UP) DATE (MODE DOWN)	Mode change.
FADE (FAR) BLC (NEAR)	Focus adjustment.

The function buttons on the Menu Board are used to control the camcorder additionally, These buttons should be used for adjustment of the camera section.

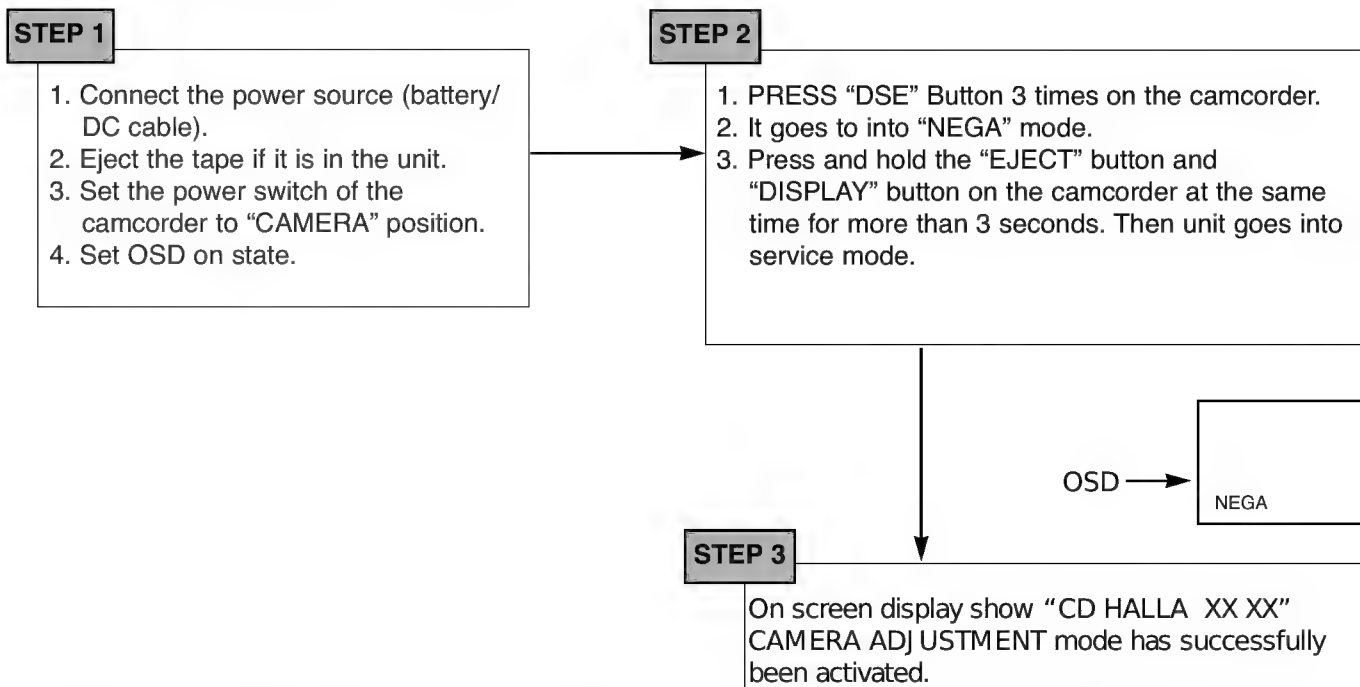
Menu Board for camcorder adjustment

Figure of button placement when Menu Board is used for service adjustment.



Note : In service adjustment mode, button names are different from those in customer camera function control mode. EX) TITLE button is the same as confirm.

5. How to get into service “ADJUST” mode

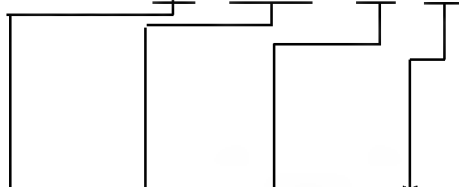


Note : When “XX XX” is shown in service adjustment procedures, this indicates variable values.

5. Initial data of camera parts adjustment - **CAMERA AF 1st MICOM (UPD784035GC-820) DATA - NTSC**

During camera adjustment, the OSD displays the following abbreviations to indicate the selected mode.

Example) " 00 XXXX XX XX "



Note : "Data 1" is previous setting in memory, "Data 2" is now adjustment setting, that changes during adjustment mode. After pressing "TITLE (Confirm)", it goes to memory.

MODE	OSD	SC-L100		SC-L150		NAME OF ADJ USTMENT
		DATA1	DATA2	DATA1	DATA2	
CD	HALLA	70	70	70	70	HALL AUTO ADJ USTMENT
CE	IRISRA	D0	D0	D0	D0	IRIS CONTROL RANGE ADJ USTMENT
CF	WBA	FF	FF	FF	FF	WHITE BALANCE AUTO ADJ USTMENT
D0	LENSA	FF	FF	FF	FF	LENS AUTO ADJ USTMENT
D6	ZCHK	80	80	80	80	ZOOM VR CENTER AUTO ADJ USTMENT
O3	IRIS1	70	70	70	70	IRIS LEVEL CONTROL-HIGH BYTE
O5	P.CLK	40	40	40	40	P.CLK ADJ USTMENT
O7	ADREF	00	00	00	00	A/D REFERENCE CONTROL(SETUP)
O8	S.CLK	0F	0F	0F	0F	SOFT CLIP CONTROL
O9	AGC1	18	18	18	18	AGC CONTROL
OB	HAPER	58	58	58	58	HORIZONTAL APPERTURE GAIN
OC	YSEL	F8	F8	F8	F8	VERTICAL APPERTURE GAIN
1C	CWBR	3D	3D	3D	3D	COLOR W/B COEFF. OF Cr SIGNAL
1D	CWBB	90	90	90	90	COLOR W/B COEFF. OF Cb SIGNAL
32	CRGP	38	38	38	38	INDOOR R-Y POSITIVE GAIN
33	CRGN	38	38	38	38	INDOOR R-Y NEGATIVE GAIN
34	CHYE	09	09	09	09	INDOOR R-Y POSITIVE GAIN
35	CHB	08	08	08	08	INDOOR R-Y NEGATIVE GAIN
36	CBGP	1E	1E	1E	1E	INDOOR B-Y POSITIVE GAIN
37	CBGN	18	18	18	18	INDOOR B-Y NEGATIVE GAIN
38	CHGR	18	18	18	18	INDOOR B-Y POSITIVE GAIN
39	PCBHN	01	01	01	01	INDOOR B-Y NEGATIVE GAIN
53	ECGAN	80	80	80	80	CHROMA GAIN CONTROL
54	ESY	83	83	83	83	Y SET-UP LEVEL CONTROL
55	EWC	AE	AE	AE	AE	WHITE CLIP CONTROL
57	EUSC	EE	EE	EE	EE	B-Y SIGNAL BURST LEVEL CONTROL
58	EVSC	00	00	00	00	R-Y SIGNAL BURST LEVEL CONTROL
5D	XKCON	00	00	00	00	SCK CONTROL
5E	MDSEL	01	01	01	01	D/ZOOM MODE SELECTION
5F	TGMSE	02	02	02	02	TG MODE SELECTION
65	HRGDL	00	00	00	00	H1/H2/RG DELAY CONTROL
66	SHP.D	D9	D9	D9	D9	SHP/SHD DELAY CONTROL
67	ADDL	00	00	00	00	SPO/FECKDELAY CONTROL
71	ROUGP	36	36	36	36	OUTDOOR R-Y POSITIVE GAIN
72	ROUGN	2C	2C	2C	2C	OUTDOOR R-Y NEGATIVE GAIN
73	CHOYE	05	05	05	05	OUTDOOR R-Y POSITIVE HUE
74	CHOB	13	13	13	13	OUTDOOR R-Y NEGATIVE HUE
75	GOUGP	23	23	23	23	OUTDOOR B-Y POSITIVE GAIN
76	BOUGN	1B	1B	1B	1B	OUTDOOR B-Y NEGATIVE GAIN
77	CHOGR	18	18	18	18	OUTDOOR B-Y POSITIVE HUE
78	CHOR	04	04	04	04	OUTDOOR B-Y NEGATIVE HUE
82	AETAL	30	30	30	30	AE TARGET (LOW BYTE)
83	AETAH	05	05	05	05	AE TARGET (HIGH BYTE)
88	AGCMA	85	85	85	85	AGC MAXIMUM CONTROL
8F	WBтар	84	84	84	84	WHITE BALANCE R TARGET
90	WBтAB	75	75	75	75	WHITE BALANCE B TARGET
95	R-IN	3C	3C	3C	3C	R INDOOR CONTROL VALUE
96	B-IN	98	98	98	98	B INDOOR CONTROL VALUE
97	R-OUT	75	75	75	75	R OUTDOOR CONTROL VALUE

MODE	OSD	SC-L100		SC-L150		NAME OF ADJUSTMENT
		DATA1	DATA2	DATA1	DATA2	
98	B-OUT	5C	5C	5C	5C	B OUTDOOR CONTROL VALUE
B8	CFAPS	20	20	20	20	NOISE SLICE START AGC
B9	APNSC	FE	FE	FE	FE	NOISE SLICE MAXIMUM VALUE
BB	CFAOR	03	03	03	03	CHROMA SUPPRESS MAXIMUM VALUE
BC	BLKST	30	30	30	30	EY BLACK START AGC
BD	BLKMX	04	04	04	04	EY BLACK MAXIMUM VALUE
00		00	00	00	00	NOT USED
01		40	40	40	40	HALL GAIN
02		80	80	80	80	HALL REFERENCE
03		70	70	70	70	IRIS LEVEL CONTROL-HIGH BYTE
04		00	00	00	00	IRIS LEVEL CONTROL-L
05		40	40	40	40	P.CLK ADJUSTMENT
06		00	00	00	00	P.CLK PWM CONTROL-L
07		00	00	00	00	A/D REFERENCE CONTROL(SETUP)
08		0F	0F	0F	0F	SOFT CLIP CONTROL
09		18	18	18	18	AGC CONTROL
0A		66	66	66	66	H/V BLACK NOISE THRESHOLD/GAIN
0B		58	58	58	58	HORIZONTAL APERTURE GAIN
0C		F8	F8	F8	F8	VERTICAL APERTURE GAIN
0D		0B	0B	0B	0B	APERTURE SLICE CONTROL
0E		A8	A8	A8	A8	Y HI-REF. VALUE FOR C SUPPRESS
0F		10	10	10	10	EDGE REF. VALUE FOR C SUPPRESS
10		05	05	05	05	Y SIGNAL GAMMA COEFF. 1
11		0A	0A	0A	0A	Y SIGNAL GAMMA COEFF. 2
12		1C	1C	1C	1C	Y SIGNAL GAMMA COEFF. 3
13		30	30	30	30	Y SIGNAL GAMMA COEFF. 4
14		4D	4D	4D	4D	Y SIGNAL GAMMA COEFF. 5
15		76	76	76	76	Y SIGNAL GAMMA COEFF. 6
16		B8	B8	B8	B8	Y SIGNAL GAMMA COEFF. 7
17		DA	DA	DA	DA	Y SIGNAL GAMMA COEFF. 8
18		00	00	00	00	Y LPF SELECTION
19		11	11	11	11	Cr/Cb/Y LPF SELECTION
1A		42	42	42	42	C MATRIX COEF. OF Cr SIGNAL
1B		66	66	66	66	C MATRIX COEF. OF Cb SIGNAL
1C		3D	3D	3D	3D	COLOR W/B COEFF. OF Cr SIGNAL
1D		90	90	90	90	COLOR W/B COEFF. OF Cb SIGNAL
1E		24	24	24	24	C W/B COEF. OF G SIGNAL
1F		05	05	05	05	C DARK SLICE COEF. OF Cr SIG.
20		01	01	01	01	C DARK SLICE COEF. OF Cb SIG.
21		FB	FB	FB	FB	C DARK SLICE COEF. OF G SIG.
22		05	05	05	05	C SIGNAL GAMMA BENDING POINT 1
23		0D	0D	0D	0D	C SIGNAL GAMMA BENDING POINT 2
24		1A	1A	1A	1A	C SIGNAL GAMMA BENDING POINT 3
25		38	38	38	38	C SIGNAL GAMMA BENDING POINT 4
26		58	58	58	58	C SIGNAL GAMMA BENDING POINT 5
27		88	88	88	88	C SIGNAL GAMMA BENDING POINT 6
28		B8	B8	B8	B8	C SIGNAL GAMMA BENDING POINT 7
29		DA	DA	DA	DA	C SIGNAL GAMMA BENDING POINT 8
2A		59	59	59	59	Cr(R-G) SIGNAL POSITIVE GAIN
2B		59	59	59	59	Cr(R-G) SIGNAL NEGATIVE GAIN
2C		F2	F2	F2	F2	Cr(B-G) SIGNAL POSITIVE GAIN
2D		F2	F2	F2	F2	Cr(B-G) SIGNAL NEGATIVE GAIN
2E		D9	D9	D9	D9	Cb(R-G) SIGNAL POSITIVE GAIN
2F		D9	D9	D9	D9	Cb(R-G) SIGNAL NEGATIVE GAIN
30		72	72	72	72	Cb(B-G) SIGNAL POSITIVE GAIN
31		72	72	72	72	Cb(B-G) SIGNAL NEGATIVE GAIN
32		38	38	38	38	INDOOR R-Y POSITIVE GAIN
33		38	38	38	38	INDOOR R-Y NEGATIVE GAIN
34		09	09	09	09	INDOOR R-Y POSITIVE GAIN
35		08	08	08	08	INDOOR R-Y NEGATIVE GAIN
36		1E	1E	1E	1E	INDOOR B-Y POSITIVE GAIN

Alignment and adjustment

MODE	OSD	SC-L100		SC-L150		NAME OF ADJUSTMENT
		DATA1	DATA2	DATA1	DATA2	
37		18	18	18	18	INDOOR B-Y NEGATIVE GAIN
38		18	18	18	18	INDOOR B-Y POSITIVE GAIN
39		01	01	01	01	INDOOR B-Y NEGATIVE GAIN
3A		C8	C8	C8	C8	NEGA MODE W/B B CONTROL
3B		28	28	28	28	SPOT MODE AE TARGET
3C		35	35	35	35	R DETECT WINDOW H START POINT
3D		50	50	50	50	R DETECT WINDOW H STOP POINT
3E		3A	3A	3A	3A	R DETECT WINDOW V START POINT
3F		4B	4B	4B	4B	R DETECT WINDOW V STOP POINT
40		00	00	00	00	DSP ODM COMMEND
41		30	30	30	30	CLIP COUNTER THRESHOULD
42		7B	7B	7B	7B	COLOR ADJUST START VALUE
43		85	85	85	85	R TARGET UP/DOWN OF D ZOOM
44		00	00	00	00	B TARGET UP/DOWN OF D ZOOM
45		FF	FF	FF	FF	SHUTTER OF D ZOOM
46		00	00	00	00	CCD DEFECT COMPENSATION FACTOR
47		F0	F0	F0	F0	ODM AE CLIP THRESHOULD VALUE
48		FF	FF	FF	FF	ODM Y UPPER VALUE OF AE MODE
49		00	00	00	00	ODM Y LOWER VALUE OF AE MODE
4A		3F	3F	3F	3F	ODM Y UPPER VALUE OF AWB MODE
4B		00	00	00	00	ODM Y LOWER VALUE OF AWB MODE
4C		FF	FF	FF	FF	R-Y THRESHOULD VALUE OF AWB MODE
4D		FF	FF	FF	FF	B-Y THRESHOULD VALUE OF AWB MODE
4E		3F	3F	3F	3F	(R-Y)+(B-Y) THRESHOULD VALUE
4F		20	20	20	20	WHITE DETECTION THRESHOULD VALUE
50		00	00	00	00	DIGITAL CLAMP OPTICAL BLACK POINT
51		02	02	02	02	Y DELAY CONTROL SELECTION
52		A0	A0	A0	A0	Y SIGNAL GAIN
53		80	80	80	80	CHROMA GAIN CONTROL
54		83	83	83	83	Y SET-UP LEVEL CONTROL
55		AE	AE	AE	AE	WHITE CLIP CONTROL
56		2C	2C	2C	2C	LUMINANCE BLANK LEVEL
57		EE	EE	EE	EE	B-Y SIGNAL BURST LEVEL CONTROL
58		00	00	00	00	R-Y SIGNAL BURST LEVEL CONTROL
59		87	87	87	87	BURST FLAG DELAY SELECTION
5A		00	00	00	00	FSC/2FSC CONTROL
5B		00	00	00	00	DELAY CONTROL SELECTION
5C		3F	3F	3F	3F	DELAY CONTROL SELECTION
5D		00	00	00	00	SCK CONTROL
5E		01	01	01	01	D/ZOOM MODE SELECTION
5F		02	02	02	02	TG MODE SELECTION
60		00	00	00	00	INVERSE NUMBER OF V ZOOM RATIO
61		09	09	09	09	CCD V START POINT(INTEGER LINE)
62		00	00	00	00	CCD V START POINT(SUB PIXEL)
63		83	83	83	83	SHUTTER MODE
64		FF	FF	FF	FF	HIGH SHUTTER SPEED CONTROL
65		00	00	00	00	H1/H2/RG DELAY CONTROL
66		D9	D9	D9	D9	SHP/SHD DELAY CONTROL
67		00	00	00	00	SPO/FECKDELAY CONTROL
68		00	00	00	00	RG/SHP PULSE WIDTH ADJUSTMENT
69		80	80	80	80	D ZOOM MODE SELECTION
6A		00	00	00	00	HORIZONTAL D ZOOM STEP
6B		00	00	00	00	VERTICAL D ZOOM STEP
6C		00	00	00	00	HORIZONTAL START READ ADDRESS -H
6D		01	01	01	01	HORIZONTAL START READ ADDRESS -L
6E		00	00	00	00	HORIZONTAL D ZOOM START SUB PIXEL
6F		00	00	00	00	V D ZOOM START SUB PIXEL ODD FIELD
70		00	00	00	00	V D ZOOM START SUB PIXEL EVEN FIELD
71		36	36	36	36	OUTDOOR R-Y POSITIVE GAIN
72		2C	2C	2C	2C	OUTDOOR R-Y NEGATIVE GAIN

MODE	OSD	SC-L100		SC-L150		NAME OF ADJUSTMENT
		DATA1	DATA2	DATA1	DATA2	
73		05	05	05	05	OUTDOOR R-Y POSITIVE HUE
74		13	13	13	13	OUTDOOR R-Y NEGATIVE HUE
75		23	23	23	23	OUTDOOR B-Y POSITIVE GAIN
76		1B	1B	1B	1B	OUTDOOR B-Y NEGATIVE GAIN
77		18	18	18	18	OUTDOOR B-Y POSITIVE HUE
78		04	04	04	04	OUTDOOR B-Y NEGATIVE HUE
79		48	48	48	48	R VALUE OF SEPIA MODE
7A		20	20	20	20	G VALUE OF SEPIA MODE
7B		78	78	78	78	R VALUE OF YELLOW MODE
7C		60	60	60	60	G VALUE OF YELLOW MODE
7D		88	88	88	88	HALL REFERENSE START VALUE
7E		20	20	20	20	HALL GAIN START VALUE
7F		4B	4B	4B	4B	HALL MINIMUM VALUE (IRIS OPEN)
80		D7	D7	D7	D7	HALL MAXIMUM VALUE(IRIS CLOSE)
81		18	18	18	18	OUTDOOR DETECT IRIS CTL VALUE
82		30	30	30	30	AE TARGET (LOW BYTE)
83		05	05	05	05	AE TARGET (HIGH BYTE)
84		A0	A0	A0	A0	IRIS CONTROL MIN VALUE
85		3A	3A	3A	3A	IRIS CONTROL MAX VALUE
86		02	02	02	02	TARGET MARGEIN OF IRIS ADJUSTMENT
87		12	12	12	12	CCD WHITE DEFFECTS ADJUSTMENT
88		85	85	85	85	AGC MAXIMUM CONTROL
89		10	10	10	10	NOT USED
8A		09	09	09	09	BLC ON AE TARGET
8B		48	48	48	48	CINEMA/SPOT LIGHT BLC TARGET
8C		08	08	08	08	SAND/SNOW MODE AE TARGET
8D		08	08	08	08	NEGA MODE AE TARGET
8E		0A	0A	0A	0A	NOT USED
8F		84	84	84	84	WHITE BALANCE R TARGET
90		75	75	75	75	WHITE BALANCE B TARGET
91		45	45	45	45	R INDOOR START VALUE OF W/B ADJUSTMENT
92		85	85	85	85	B INDOOR START VALUE OF W/B ADJUSTMENT
93		65	65	65	65	R OUTDOOR START VALUE OF W/B ADJUSTMENT
94		68	68	68	68	R INDOOR START VALUE OF W/B ADJUSTMENT
95		3C	3C	3C	3C	R INDOOR CONTROL VALUE
96		98	98	98	98	B INDOOR CONTROL VALUE
97		75	75	75	75	R OUTDOOR CONTROL VALUE
98		5C	5C	5C	5C	B OUTDOOR CONTROL VALUE
99		02	02	02	02	R OUTDOOR CONTROL UP/DOWN MARGIN
9A		83	83	83	83	R INDOOR CONTROL UP/DOWN MARGIN
9B		03	03	03	03	B INDOOR CONTROL UP/DOWN MARGIN
9C		8D	8D	8D	8D	B OUTDOOR CONTROL UP/DOWN MARGIN
9D		00	00	00	00	INITIAL(POWER ON) R CTL START DATA
9E		00	00	00	00	INITIAL(POWER ON) B CTL START VALUE
9F		6E	6E	6E	6E	W/B TABLE MODE
A0		02	02	02	02	W/B SD/3+AEAVR-MAXDETE
A1		90	90	90	90	W/B CONTROL BOUNDARY
A2		A6	A6	A6	A6	W/B CTL STOP HALL OF MACRO AREA
A3		48	48	48	48	W/B OUTDOOR STOP HALL
A4		00	00	00	00	R/B CTL SPEED UP/DOWN MODE
A5		48	48	48	48	CINEMA AE TARGET
A6		30	30	30	30	CINEMA / SPOT AE TARGET
A7		20	20	20	20	W/B STABLE CONDITION
A8		05	05	05	05	R CONTROL UP/DOWN OF D ZOOM
A9		05	05	05	05	B CONTROL UP/DOWN OF D ZOOM
AA		0E	0E	0E	0E	FOCUS RESET POSITION L

MODE	OSD	SC-L100		SC-L150		NAME OF ADJUSTMENT
		DATA1	DATA2	DATA1	DATA2	
AB		11	11	11	11	FOCUS RESET POSITION H
AC		4B	4B	4B	4B	ZOOM RESET POSITION L
AD		12	12	12	12	ZOOM RESET POSITION H
AE		83	83	83	83	ZOOM RESET DIFERENCE
AF		40	40	40	40	AF FILTER1 DATA MAGNIFY RATO
B0		C0	C0	C0	C0	FILTER1 NOISE LEVEL(L) OF AREA1
B1		00	00	00	00	FILTER1 NOISE LEVEL(H) OF AREA1
B2		C0	C0	C0	C0	FILTER1 NOISE LEVEL(L) OF AREA2
B3		02	02	02	02	FILTER1 NOISE LEVEL(H) OF AREA2
B4		90	90	90	90	FILTER2 NOISE LEVEL(L) OF AREA1
B5		00	00	00	00	FILTER2 NOISE LEVEL(H) OF AREA1
B6		E0	E0	E0	E0	FILTER2 NOISE LEVEL(L) OF AREA2
B7		01	01	01	01	FILTER2 NOISE LEVEL(H) OF AREA2
B8		20	20	20	20	NOISE SLICE START AGC
B9		FE	FE	FE	FE	NOISE SLICE MAXIMUM VALUE
BA		30	30	30	30	CHROMA SUPRESS START AGC
BB		03	03	03	03	CHROMA SUPRESS MAXIMUM VALUE
BC		30	30	30	30	EY BLACK START AGC
BD		04	04	04	04	EY BLACK MAXIMUM VALUE
BE		A0	A0	A0	A0	AE TAGET OF NEGA MODE(FADE IN)
BF		77	77	77	77	H/V ADJUST OF D ZOOM HEADER COMMEND
C0		2A	2A	2A	2A	FADE LIMIT OF NEGA MODE
C1		28	28	28	28	DATA CONTROL BOUNDARY OF OUTDOOR
C2		24	24	24	24	NEGA MODE W/B R-CONTROL DATA
C3		A1	A1	A1	A1	FOCUS RETURN LOW BYTE
C4		15	15	15	15	FOCUS RETURN HIGH BYTE
C5		A0	A0	A0	A0	ZOOM RETURN LOW BYTE
C6		12	12	12	12	ZOOM RETURN HIGH BYTE
C7		05	05	05	05	LENS CHECK MARGIN (WIDE)
C8		12	12	12	12	LENS CHECK MARGIN (TELE)
C9		65	65	65	65	ADJUST MODE IRIS SETTING DATA
CA		7F	7F	BF	BF	D ZOOM RAITO
CB		06	06	06	06	AE UP/DOWN OF NEGA MODE BLC
CC		00	00	00	00	SETUP ADJUST ENABLE
CD		70	70	70	70	HALL AUTO ADJUSTMENT
CE		D0	D0	D0	D0	IRIS CONTROL RANGE ADJUSTMENT
CF		FF	FF	FF	FF	WHITE BALANCE AUTO ADJUSTMENT
D0		FF	FF	FF	FF	LENS AUTO ADJUSTMENT
D1		FF	FF	FF	FF	HALL AUTO CHECK
D2		FF	FF	FF	FF	AGC AUTO CHECK
D3		FF	FF	FF	FF	LENS CHECK OF PCB LINE
D4		FF	FF	FF	FF	GYRO SENSOR CHECK (H)
D5		FF	FF	FF	FF	GYRO SENSOR CHECK (V)
D6		80	80	80	80	ZOOM VR CENTER AUTO ADJUSTMENT
D7		01	01	01	01	ZOOM/FOCUS CHECK ENABLE
D8		20	20	20	20	VR ZOOM CENTER MARGEIN
D9		00	00	00	00	COLOR GAIN ADJUSTMENT
DA		7E	7E	7E	7E	SETUP AUTO ADJUSTMENT
DB		08	08	08	08	HALL CHECK THRESHOULD
DC		82	82	82	82	COLOR ADJUST TARGET VALUE
DD		89	89	89	89	HALL ADJUST GAIN TARGET
DE		4D	4D	4D	4D	HALL ADJUST CENTER
DF		00	00	00	00	NOT USED
E0		AA	AA	AA	AA	BK NOISE TH/GAIN OF EIS
E1		5F	5F	5F	5F	H APPERTURE GAIN OF EIS
E2		FF	FF	FF	FF	#0C OF EIS ON
E3		07	07	07	07	#0D OF EIS ON
E4		A8	A8	A8	A8	#0E OF EIS ON
E5		10	10	10	10	#0F OF EIS ON
E6		00	00	00	00	#18 OF EIS ON

MODE	OSD	SC-L100		SC-L150		NAME OF ADJUSTMENT
		DATA1	DATA2	DATA1	DATA2	
E7		FF	FF	FF	FF	AGC CONTROL OF Y SIGNAL
E8		69	69	69	69	V GAIN-1(A/D GAIN)
E9		80	80	80	80	R TARGET OF W/B AUTO ADJUSTMENT
EA		EB	EB	EB	EB	V GAIN-3(CENTERING GAIN)
EB		06	06	06	06	V STOP NOISE THRESHOLD
EC		8C	8C	8C	8C	H GAIN-1(A/D GAIN)
ED		7F	7F	7F	7F	B TARGET OF W/B AUTO ADJUSTMENT
EE		EB	EB	EB	EB	H GAIN-3(CENTERING GAIN)
EF		09	09	09	09	H STOP NOISE THRESHOLD
F0		00	00	00	00	D-ZOOM STEP

6. Initial data of camera parts adjustment - **CAMERA AF 2nd MICOM (UPD784035GC-828) DATA - NTSC**

MODE	OSD	SC-L100		SC-L150		NAME OF ADJUSTMENT
		DATA1	DATA2	DATA1	DATA2	
CD	HALLA	70	70	70	70	HALL AUTO ADJUSTMENT
CE	IRISRA	D0	D0	D0	D0	IRIS CONTROL RANGE ADJUSTMENT
CF	WBA	FF	FF	FF	FF	WHITE BALANCE AUTO ADJUSTMENT
D0	LENSA	FF	FF	FF	FF	LENS AUTO ADJUSTMENT
D6	Z.CHK	80	80	80	80	ZOOM VR CENTER AUTO ADJUSTMENT
O3	IRIS1	70	70	70	70	IRIS LEVEL CONTROL-HIGH BYTE
O5	P.CLK	40	40	40	40	P.CLK ADJUSTMENT
O7	ADREF	00	00	00	00	A/D REFERENCE CONTROL(SETUP)
O8	S.CLK	0F	0F	0F	0F	SOFT CLIP CONTROL
O9	AGC1	18	18	18	18	AGC CONTROL
OB	HAPER	58	58	58	58	HORIZONTAL APPERTURE GAIN
OC	YSEL	F8	F8	F8	F8	VERTICAL APPERTURE GAIN
1C	CWBR	3D	3D	3D	3D	COLOR W/B COEFF. OF Cr SIGNAL
1D	CWBB	90	90	90	90	COLOR W/B COEFF. OF Cb SIGNAL
32	CRGP	38	38	38	38	INDOOR R-Y POSITIVE GAIN
33	CRGN	38	38	38	38	INDOOR R-Y NEGATIVE GAIN
34	CHYE	09	09	09	09	INDOOR R-Y POSITIVE GAIN
35	CHB	08	08	08	08	INDOOR R-Y NEGATIVE GAIN
36	CBGP	1E	1E	1E	1E	INDOOR B-Y POSITIVE GAIN
37	CBGN	18	18	18	18	INDOOR B-Y NEGATIVE GAIN
38	CHGR	18	18	18	18	INDOOR B-Y POSITIVE GAIN
39	PCBHN	01	01	01	01	INDOOR B-Y NEGATIVE GAIN
53	ECGAN	80	80	80	80	CHROMA GAIN CONTROL
54	ESY	83	83	83	83	Y SET-UP LEVEL CONTROL
55	EWC	AE	AE	AE	AE	WHITE CLIP CONTROL
57	EUSC	EE	EE	EE	EE	B-Y SIGNAL BURST LEVEL CONTROL
58	EVSC	00	00	00	00	R-Y SIGNAL BURST LEVEL CONTROL
5D	XKCON	00	00	00	00	SCK CONTROL
5E	MDSLE	01	01	01	01	D/ZOOM MODE SELECTION
5F	TGMSE	02	02	02	02	TG MODE SELECTION
65	HRGDL	00	00	00	00	H1/H2/RG DELAY CONTROL
66	SHPD	D9	D9	D9	D9	SHP/SHD DELAY CONTROL
67	ADDL	00	00	00	00	SPO/FECKDELAY CONTROL
71	ROUGP	36	36	36	36	OUTDOOR R-Y POSITIVE GAIN
72	ROUGN	2C	2C	2C	2C	OUTDOOR R-Y NEGATIVE GAIN
73	CHOYE	05	05	05	05	OUTDOOR R-Y POSITIVE HUE
74	CHOB	13	13	13	13	OUTDOOR R-Y NEGATIVE HUE
75	GOUGP	23	23	23	23	OUTDOOR B-Y POSITIVE GAIN
76	BOUGN	1B	1B	1B	1B	OUTDOOR B-Y NEGATIVE GAIN
77	CHOGR	18	18	18	18	OUTDOOR B-Y POSITIVE HUE
78	CHOR	04	04	04	04	OUTDOOR B-Y NEGATIVE HUE
82	AETAL	30	30	30	30	AE TARGET (LOW BYTE)
83	AETAH	05	05	05	05	AE TARGET (HIGH BYTE)

MODE	OSD	SC-L100		SC-L150		NAME OF ADJUSTMENT
		DATA1	DATA2	DATA1	DATA2	
88	AGCMA	85	85	85	85	AGC MAXIMUM CONTROL
8F	WB TAR	84	84	84	84	WHITE BALANCE R TARGET
90	WB TAB	75	75	75	75	WHITE BALANCE B TARGET
95	R-IN	3C	3C	3C	3C	R INDOOR CONTROL VALUE
96	B-IN	98	98	98	98	B INDOOR CONTROL VALUE
97	R-OUT	75	75	75	75	R OUTDOOR CONTROL VALUE
98	B-OUT	5C	5C	5C	5C	B OUTDOOR CONTROL VALUE
B8	CFAPS	20	20	20	20	NOISE SLICE START AGC
B9	APNSC	FE	FE	FE	FE	NOISE SLICE MAXIMUM VALUE
BB	CFAOR	03	03	03	03	CHROMA SUPPRESS MAXIMUM VALUE
BC	BLKST	30	30	30	30	EY BLACK START AGC
BD	BLKMX	04	04	04	04	EY BLACK MAXIMUM VALUE
00		00	00	00	00	NOT USED
01		40	40	40	40	HALL GAIN
02		80	80	80	80	HALL REFERENCE
03		70	70	70	70	IRIS LEVEL CONTROL-HIGH BYTE
04		00	00	00	00	IRIS LEVEL CONTROL-L
05		40	40	40	40	P.CLK ADJUSTMENT
06		00	00	00	00	P.CLK PWM CONTROL-L
07		00	00	00	00	A/D REFERENCE CONTROL(SETUP)
08		0F	0F	0F	0F	SOFT CLIP CONTROL
09		18	18	18	18	AGC CONTROL
0A		66	66	66	66	H/V BLACK NOISE THRESHOLD/GAIN
0B		58	58	58	58	HORIZONTAL APERTURE GAIN
0C		F8	F8	F8	F8	VERTICAL APERTURE GAIN
0D		0B	0B	0B	0B	APERTURE SLICE CONTROL
0E		A8	A8	A8	A8	Y HI-REF. VALUE FOR C SUPPRESS
0F		10	10	10	10	EDGE REF. VALUE FOR C SUPPRESS
10		05	05	05	05	Y SIGNAL GAMMA COEFF. 1
11		0A	0A	0A	0A	Y SIGNAL GAMMA COEFF. 2
12		1C	1C	1C	1C	Y SIGNAL GAMMA COEFF. 3
13		30	30	30	30	Y SIGNAL GAMMA COEFF. 4
14		4D	4D	4D	4D	Y SIGNAL GAMMA COEFF. 5
15		76	76	76	76	Y SIGNAL GAMMA COEFF. 6
16		B8	B8	B8	B8	Y SIGNAL GAMMA COEFF. 7
17		DA	DA	DA	DA	Y SIGNAL GAMMA COEFF. 8
18		00	00	00	00	Y LPF SELECTION
19		11	11	11	11	Cr/Cb/Y LPF SELECTION
1A		42	42	42	42	C MATRIX COEF. OF Cr SIGNAL
1B		66	66	66	66	C MATRIX COEF. OF Cb SIGNAL
1C		3D	3D	3D	3D	COLOR W/B COEFF. OF Cr SIGNAL
1D		90	90	90	90	COLOR W/B COEFF. OF Cb SIGNAL
1E		24	24	24	24	C W/B COEF. OF G SIGNAL
1F		05	05	05	05	C DARK SLICE COEF. OF Cr SIG.
20		01	01	01	01	C DARK SLICE COEF. OF Cb SIG.
21		FB	FB	FB	FB	C DARK SLICE COEF. OF G SIG.
22		05	05	05	05	C SIGNAL GAMMA BENDING POINT 1
23		0D	0D	0D	0D	C SIGNAL GAMMA BENDING POINT 2
24		1A	1A	1A	1A	C SIGNAL GAMMA BENDING POINT 3
25		38	38	38	38	C SIGNAL GAMMA BENDING POINT 4
26		58	58	58	58	C SIGNAL GAMMA BENDING POINT 5
27		88	88	88	88	C SIGNAL GAMMA BENDING POINT 6
28		B8	B8	B8	B8	C SIGNAL GAMMA BENDING POINT 7
29		DA	DA	DA	DA	C SIGNAL GAMMA BENDING POINT 8
2A		59	59	59	59	Cr(R-G) SIGNAL POSITIVE GAIN
2B		59	59	59	59	Cr(R-G) SIGNAL NEGATIVE GAIN
2C		F2	F2	F2	F2	Cr(B-G) SIGNAL POSITIVE GAIN
2D		F2	F2	F2	F2	Cr(B-G) SIGNAL NEGATIVE GAIN
2E		D9	D9	D9	D9	Cb(R-G) SIGNAL POSITIVE GAIN
2F		D9	D9	D9	D9	Cb(R-G) SIGNAL NEGATIVE GAIN

MODE	OSD	SC-L100		SC-L150		NAME OF ADJUSTMENT
		DATA1	DATA2	DATA1	DATA2	
30		72	72	72	72	Cb(B-G) SIGNAL POSITIVE GAIN
31		72	72	72	72	Cb(B-G) SIGNAL NEGATIVE GAIN
32		38	38	38	38	INDOOR R-Y POSITIVE GAIN
33		38	38	38	38	INDOOR R-Y NEGATIVE GAIN
34		09	09	09	09	INDOOR R-Y POSITIVE GAIN
35		08	08	08	08	INDOOR R-Y NEGATIVE GAIN
36		1E	1E	1E	1E	INDOOR B-Y POSITIVE GAIN
37		18	18	18	18	INDOOR B-Y NEGATIVE GAIN
38		18	18	18	18	INDOOR B-Y POSITIVE GAIN
39		01	01	01	01	INDOOR B-Y NEGATIVE GAIN
3A		C8	C8	C8	C8	NEGA MODE W/B B CONTROL
3B		28	28	28	28	SPOT MODE AE TARGET
3C		35	35	35	35	R DETECT WINDOW H START POINT
3D		50	50	50	50	R DETECT WINDOW H STOP POINT
3E		3A	3A	3A	3A	R DETECT WINDOW V START POINT
3F		4B	4B	4B	4B	R DETECT WINDOW V STOP POINT
40		00	00	00	00	DSP ODM COMMEND
41		30	30	30	30	CLIP COUNTER THRESHOULD
42		7B	7B	7B	7B	COLOR ADJUST START VALUE
43		85	85	85	85	R TARGET UP/DOWN OF D ZOOM
44		00	00	00	00	B TARGET UP/DOWN OF D ZOOM
45		FF	FF	FF	FF	SHUTTER OF D ZOOM
46		00	00	00	00	CCD DEFECT COMPENSATION FACTOR
47		F0	F0	F0	F0	ODM AE CLIP THRESHOULD VALUE
48		FF	FF	FF	FF	ODM Y UPPER VALUE OF AE MODE
49		00	00	00	00	ODM Y LOWER VALUE OF AE MODE
4A		3F	3F	3F	3F	ODM Y UPPER VALUE OF AWB MODE
4B		00	00	00	00	ODM Y LOWER VALUE OF AWB MODE
4C		FF	FF	FF	FF	R-Y THRESHOULD VALUE OF AWB MODE
4D		FF	FF	FF	FF	B-Y THRESHOULD VALUE OF AWB MODE
4E		3F	3F	3F	3F	(R-Y)+(B-Y) THRESHOULD VALUE
4F		01	01	01	01	WHITE DETECTION THRESHOULD VALUE
50		00	00	00	00	DIGITAL CLAMP OPTICAL BLACK POINT
51		02	02	02	02	Y DELAY CONTROL SELECTION
52		A0	A0	A0	A0	Y SIGNAL GAIN
53		80	80	80	80	CHROMA GAIN CONTROL
54		83	83	83	83	Y SET-UP LEVEL CONTROL
55		AE	AE	AE	AE	WHITE CLIP CONTROL
56		2C	2C	2C	2C	LUMINANCE BLANK LEVEL
57		EE	EE	EE	EE	B-Y SIGNAL BURST LEVEL CONTROL
58		00	00	00	00	R-Y SIGNAL BURST LEVEL CONTROL
59		87	87	87	87	BURST FLAG DELAY SELECTION
5A		00	00	00	00	FSC/2FSC CONTROL
5B		00	00	00	00	DELAY CONTROL SELECTION
5C		3F	3F	3F	3F	DELAY CONTROL SELECTION
5D		00	00	00	00	SCK CONTROL
5E		01	01	01	01	D/ZOOM MODE SELECTION
5F		02	02	02	02	TG MODE SELECTION
60		00	00	00	00	INVERSE NUMBER OF V ZOOM RATIO
61		09	09	09	09	CCD V START POINT(INTEGER LINE)
62		00	00	00	00	CCD V START POINT(SUB PIXEL)
63		83	83	83	83	SHUTTER MODE
64		FF	FF	FF	FF	HIGH SHUTTER SPEED CONTROL
65		00	00	00	00	H1/H2/RG DELAY CONTROL
66		D9	D9	D9	D9	SHP/SHD DELAY CONTROL
67		00	00	00	00	SPO/FECKDELAY CONTROL
68		00	00	00	00	RG/SHP PULSE WIDTH ADJUSTMENT
69		80	80	80	80	D ZOOM MODE SELECTION
6A		00	00	00	00	HORIZONTAL D ZOOM STEP
6B		00	00	00	00	VERTICAL D ZOOM STEP

MODE	OSD	SC-L100		SC-L150		NAME OF ADJUSTMENT
		DATA1	DATA2	DATA1	DATA2	
6C		00	00	00	00	HORIZONTAL START READ ADDRESS -H
6D		01	01	01	01	HORIZONTAL START READ ADDRESS -L
6E		00	00	00	00	HORIZONTAL D ZOOM START SUB PIXEL
6F		00	00	00	00	V D ZOOM START SUB PIXEL ODD FIELD
70		00	00	00	00	V D ZOOM START SUB PIXEL EVEN FIELD
71		36	36	36	36	OUTDOOR R-Y POSITIVE GAIN
72		2C	2C	2C	2C	OUTDOOR R-Y NEGATIVE GAIN
73		05	05	05	05	OUTDOOR R-Y POSITIVE HUE
74		13	13	13	13	OUTDOOR R-Y NEGATIVE HUE
75		23	23	23	23	OUTDOOR B-Y POSITIVE GAIN
76		1B	1B	1B	1B	OUTDOOR B-Y NEGATIVE GAIN
77		18	18	18	18	OUTDOOR B-Y POSITIVE HUE
78		04	04	04	04	OUTDOOR B-Y NEGATIVE HUE
79		48	48	48	48	R VALUE OF SEPIA MODE
7A		20	20	20	20	G VALUE OF SEPIA MODE
7B		78	78	78	78	R VALUE OF YELLOW MODE
7C		60	60	60	60	G VALUE OF YELLOW MODE
7D		88	88	88	88	HALL REFERENSE START VALUE
7E		3A	3A	3A	3A	HALL GAIN START VALUE
7F		4B	4B	4B	4B	HALL MINIMUM VALUE (IRIS OPEN)
80		D7	D7	D7	D7	HALL MAXIMUM VALUE(IRIS CLOSE)
81		18	18	18	18	OUTDOOR DETECT IRIS CTL VALUE
82		30	30	30	30	AE TARGET (LOW BYTE)
83		05	05	05	05	AE TARGET (HIGH BYTE)
84		A0	A0	A0	A0	IRIS CONTROL MIN VALUE
85		3A	3A	3A	3A	IRIS CONTROL MAX VALUE
86		02	02	02	02	TARGET MARGEIN OF IRIS ADJUSTMENT
87		12	12	12	12	CCD WHITE DEFFECTS ADJUSTMENT
88		85	85	85	85	AGC MAXIMUM CONTROL
89		10	10	10	10	NOT USED
8A		09	09	09	09	BLC ON AE TARGET
8B		48	48	48	48	CINEMA/SPOT LIGHT BLC TARGET
8C		08	08	08	08	SAND/SNOW MODE AE TARGET
8D		08	08	08	08	NEGA MODE AE TARGET
8E		0A	0A	0A	0A	NOT USED
8F		88	88	88	88	WHITE BALANCE R TARGET
90		70	70	70	70	WHITE BALANCE B TARGET
91		45	45	45	45	R INDOOR START VALUE OF W/B ADJUSTMENT
92		85	85	85	85	B INDOOR START VALUE OF W/B ADJUSTMENT
93		65	65	65	65	R OUTDOOR START VALUE OF W/B ADJUSTMENT
94		68	68	68	68	R INDOOR START VALUE OF W/B ADJUSTMENT
95		3C	3C	3C	3C	R INDOOR CONTROL VALUE
96		98	98	98	98	B INDOOR CONTROL VALUE
97		75	75	75	75	R OUTDOOR CONTROL VALUE
98		5C	5C	5C	5C	B OUTDOOR CONTROL VALUE
99		02	02	02	02	R OUTDOOR CONTROL UP/DOWN MARGIN
9A		83	83	83	83	R INDOOR CONTROL UP/DOWN MARGIN
9B		03	03	03	03	B INDOOR CONTROL UP/DOWN MARGIN
9C		8D	8D	8D	8D	B OUTDOOR CONTROL UP/DOWN MARGIN
9D		88	88	88	88	INITIAL(POWER ON) R CTL START DATA
9E		00	00	00	00	INITIAL(POWER ON) B CTL START VALUE
9F		6E	6E	6E	6E	W/B TABLE MODE
A0		02	02	02	02	W/B SD/3+AEAVR-MAXDETE
A1		90	90	90	90	W/B CONTROL BOUNDARY
A2		A6	A6	A6	A6	W/B CTL STOP HALL OF MACRO AREA
A3		48	48	48	48	W/B OUTDOOR STOP HALL
A4		8A	8A	8A	8A	R OUTDOOR CONTROL UP/DOWN OF W/B ADJUST
A5		48	48	48	48	CINEMA AE TAgET
A6		30	30	30	30	CINEMA / SPOT AE TAgET
A7		20	20	20	20	W/B STABLE CONDITION

MODE	OSD	SC-L100		SC-L150		NAME OF ADJUSTMENT
		DATA1	DATA2	DATA1	DATA2	
A8		05	05	05	05	R CONTROL UP/DOWN OF D ZOOM
A9		05	05	05	05	B CONTROL UP/DOWN OF D ZOOM
AA		0E	0E	0E	0E	FOCUS RESET POSITION L
AB		11	11	11	11	FOCUS RESET POSITION H
AC		4B	4B	4B	4B	ZOOM RESET POSITION L
AD		12	12	12	12	ZOOM RESET POSITION H
AE		83	83	83	83	ZOOM RESET DIFFERENCE
AF		40	40	40	40	AF FILTER1 DATA MAGNIFY RATO
B0		C0	C0	C0	C0	FILTER1 NOISE LEVEL(L) OF AREA1
B1		00	00	00	00	FILTER1 NOISE LEVEL(H) OF AREA1
B2		C0	C0	C0	C0	FILTER1 NOISE LEVEL(L) OF AREA2
B3		02	02	02	02	FILTER1 NOISE LEVEL(H) OF AREA2
B4		90	90	90	90	FILTER2 NOISE LEVEL(L) OF AREA1
B5		00	00	00	00	FILTER2 NOISE LEVEL(H) OF AREA1
B6		E0	E0	E0	E0	FILTER2 NOISE LEVEL(L) OF AREA2
B7		01	01	01	01	FILTER2 NOISE LEVEL(H) OF AREA2
B8		20	20	20	20	NOISE SLICE START AGC
B9		FE	FE	FE	FE	NOISE SLICE MAXIMUM VALUE
BA		30	30	30	30	CHROMA SUPPRESS START AGC
BB		03	03	03	03	CHROMA SUPPRESS MAXIMUM VALUE
BC		30	30	30	30	EY BLACK START AGC
BD		04	04	04	04	EY BLACK MAXIMUM VALUE
BE		A0	A0	A0	A0	AE TAGET OF NEGA MODE(FADE IN)
BF		77	77	77	77	H/V ADJUST OF D ZOOM HEADER COMMEND
C0		2A	2A	2A	2A	FADE LIMIT OF NEGA MODE
C1		28	28	28	28	DATA CONTROL BOUNDARY OF OUTDOOR
C2		24	24	24	24	NEGA MODE W/B R-CONTROL DATA
C3		A1	A1	A1	A1	FOCUS RETURN LOW BYTE
C4		15	15	15	15	FOCUS RETURN HIGH BYTE
C5		A0	A0	A0	A0	ZOOM RETURN LOW BYTE
C6		12	12	12	12	ZOOM RETURN HIGH BYTE
C7		05	05	05	05	LENS CHECK MARGIN (WIDE)
C8		12	12	12	12	LENS CHECK MARGIN (TELE)
C9		65	65	65	65	ADJUST MODE IRIS SETTING DATA
CA		7F	7F	BF	BF	D ZOOM RAITO
CB		06	06	06	06	AE UP/DOWN OF NEGA MODE BLC
CC		00	00	00	00	SETUP ADJUST ENABLE
CD		70	70	70	70	HALL AUTO ADJUSTMENT
CE		D0	D0	D0	D0	IRIS CONTROL RANGE ADJUSTMENT
CF		FF	FF	FF	FF	WHITE BALANCE AUTO ADJUSTMENT
D0		FF	FF	FF	FF	LENS AUTO ADJUSTMENT
D1		FF	FF	FF	FF	HALL AUTO CHECK
D2		FF	FF	FF	FF	AGC AUTO CHECK
D3		FF	FF	FF	FF	LENS CHECK OF PCB LINE
D4		FF	FF	FF	FF	GYRO SENSOR CHECK (H)
D5		FF	FF	FF	FF	GYRO SENSOR CHECK (V)
D6		80	80	80	80	ZOOM VR CENTER AUTO ADJUSTMENT
D7		01	01	01	01	ZOOM/FOCUS CHECK ENABLE
D8		20	20	20	20	VR ZOOM CENTER MARGEIN
D9		00	00	00	00	COLOR GAIN ADJUSTMENT
DA		7E	7E	7E	7E	SETUP AUTO ADJUSTMENT
DB		08	08	08	08	HALL CHECK THRESHOULD
DC		82	82	82	82	COLOR ADJUST TARGET VALUE
DD		89	89	89	89	HALL ADJUST GAIN TARGET
DE		4D	4D	4D	4D	HALL ADJUST CENTER
DF		00	00	00	00	NOT USED
E0		AA	AA	AA	AA	BK NOISE TH/GAIN OF EIS
E1		5F	5F	5F	5F	H APPERTURE GAIN OF EIS
E2		FF	FF	FF	FF	#0C OF EIS ON
E3		07	07	07	07	#0D OF EIS ON

Alignment and adjustment

MODE	OSD	SC-L100		SC-L150		NAME OF ADJUSTMENT
		DATA1	DATA2	DATA1	DATA2	
E4		A8	A8	A8	A8	#OE OF EIS ON
E5		10	10	10	10	#OF OF EIS ON
E6		00	00	00	00	#18 OF EIS ON
E7		80	80	80	80	B OUTDOOR CONTROL UP/DOWN OF W/B ADJUST
E8		69	69	69	69	V GAIN-1(A/D GAIN)
E9		80	80	80	80	R TARGET OF W/B AUTO ADJUSTMENT
EA		EB	EB	EB	EB	V GAIN-3(CENTERING GAIN)
EB		06	06	06	06	V STOP NOISE THRESHOLD
EC		8C	8C	8C	8C	H GAIN-1(A/D GAIN)
ED		7F	7F	7F	7F	B TARGET OF W/B AUTO ADJUSTMENT
EE		EB	EB	EB	EB	H GAIN-3(CENTERING GAIN)
EF		09	09	09	09	H STOP NOISE THRESHOLD
F0		00	00	00	00	D-ZOOM STEP
F1		01	01	01	01	NOT USED

7. Initial data of camera parts adjustment - **CAMERA AF 1st MICOM (UPD784035GC-820) DATA - PAL**

MODE	OSD	VP-L100		VP-L150		NAME OF ADJUSTMENT
		DATA1	DATA2	DATA1	DATA2	
CD	HALLA	70	70	70	70	HALL AUTO ADJUSTMENT
CE	IRISRA	D0	D0	D0	D0	IRIS CONTROL RANGE ADJUSTMENT
CF	WBA	FF	FF	FF	FF	WHITE BALANCE AUTO ADJUSTMENT
D0	LENSA	FF	FF	FF	FF	LENS AUTO ADJUSTMENT
D6	Z.CHK	80	80	80	80	ZOOM VR CENTER AUTO ADJUSTMENT
O3	IRIS1	70	70	70	70	IRIS LEVEL CONTROL-HIGH BYTE
O5	P.CLK	40	40	40	40	P.CLK ADJUSTMENT
O7	ADREF	00	00	00	00	A/D REFERENCE CONTROL(SETUP)
O8	S.CLK	0F	0F	0F	0F	SOFT CLIP CONTROL
O9	AGC1	18	18	18	18	AGC CONTROL
OB	HAPER	5A	5A	5A	5A	HORIZONTAL APPERTURE GAIN
OC	YSEL	FA	FA	FA	FA	VERTICAL APPERTURE GAIN
1C	CWBR	3D	3D	3D	3D	COLOR W/B COEFF. OF Cr SIGNAL
1D	CWBB	90	90	90	90	COLOR W/B COEFF. OF Cb SIGNAL
32	CRGP	47	47	47	47	INDOOR R-Y POSITIVE GAIN
33	CRGN	50	50	50	50	INDOOR R-Y NEGATIVE GAIN
34	CHYE	05	05	05	05	INDOOR R-Y POSITIVE GAIN
35	CHB	08	08	08	08	INDOOR R-Y NEGATIVE GAIN
36	CBGP	28	28	28	28	INDOOR B-Y POSITIVE GAIN
37	CBGN	20	20	20	20	INDOOR B-Y NEGATIVE GAIN
38	CHGR	20	20	20	20	INDOOR B-Y POSITIVE GAIN
39	PCBHN	0C	0C	0C	0C	INDOOR B-Y NEGATIVE GAIN
53	ECGAN	88	88	88	88	CHROMA GAIN CONTROL
54	ESY	83	83	83	83	Y SET-UP LEVEL CONTROL
55	EWC	D0	D0	D0	D0	WHITE CLIP CONTROL
57	EUSC	ED	ED	ED	ED	B-Y SIGNAL BURST LEVEL CONTROL
58	EVSC	14	14	14	14	R-Y SIGNAL BURST LEVEL CONTROL
5D	XKCON	04	04	04	04	SCK CONTROL
5E	MDSEL	04	04	05	05	D/ZOOM MODE SELECTION
5F	TGMSE	02	02	02	02	TG MODE SELECTION
65	HRGDL	0E	0E	0E	0E	H1/H2/RG DELAY CONTROL
66	SHPD	DC	DC	DC	DC	SHP/SHD DELAY CONTROL
67	ADDL	00	00	00	00	SPO/FECKDELAY CONTROL
71	ROUGP	47	47	47	47	OUTDOOR R-Y POSITIVE GAIN
72	ROUGN	48	48	48	48	OUTDOOR R-Y NEGATIVE GAIN
73	CHOYE	05	05	05	05	OUTDOOR R-Y POSITIVE HUE
74	CHOB	15	15	15	15	OUTDOOR R-Y NEGATIVE HUE
75	GOUGP	2C	2C	2C	2C	OUTDOOR B-Y POSITIVE GAIN
76	BOUGN	25	25	25	25	OUTDOOR B-Y NEGATIVE GAIN

MODE	OSD	VP-L100		VP-L150		NAME OF ADJUSTMENT
		DATA1	DATA2	DATA1	DATA2	
77	CHOGR	20	20	20	20	OUTDOOR B-Y POSITIVE HUE
78	CHOR	0C	0C	0C	0C	OUTDOOR B-Y NEGATIVE HUE
82	AETAL	80	80	80	80	AE TARGET (LOW BYTE)
83	AETAH	05	05	05	05	AE TARGET (HIGH BYTE)
88	AGCMA	85	85	85	85	AGC MAXIMUM CONTROL
8F	WB TAR	86	86	86	86	WHITE BALANCE R TARGET
90	WB TAB	74	74	74	74	WHITE BALANCE B TARGET
95	R-IN	3C	3C	3C	3C	R INDOOR CONTROL VALUE
96	B-IN	98	98	98	98	B INDOOR CONTROL VALUE
97	R-OUT	75	75	75	75	R OUTDOOR CONTROL VALUE
98	B-OUT	5C	5C	5C	5C	B OUTDOOR CONTROL VALUE
B8	CFAPS	20	20	20	20	NOISE SLICE START AGC
B9	APNSC	FE	FE	FE	FE	NOISE SLICE MAXIMUM VALUE
BB	CFAOR	03	03	03	03	CHROMA SUPPRESS MAXIMUM VALUE
BC	BLKST	30	30	30	30	EY BLACK START AGC
BD	BLKMX	04	04	04	04	EY BLACK MAXIMUM VALUE
00		00	00	00	00	NOT USED
01		40	40	40	40	HALL GAIN
02		80	80	80	80	HALL REFERENCE
03		70	70	70	70	IRIS LEVEL CONTROL-HIGH BYTE
04		00	00	00	00	IRIS LEVEL CONTROL-L
05		40	40	40	40	P.CLK ADJUSTMENT
06		00	00	00	00	P.CLK PWM CONTROL-L
07		00	00	00	00	A/D REFERENCE CONTROL(SETUP)
08		0F	0F	0F	0F	SOFT CLIP CONTROL
09		18	18	18	18	AGC CONTROL
0A		66	66	66	66	H/V BLACK NOIS THRESHOLD/GAIN
0B		5A	5A	5A	5A	HORIZONTAL APPERTURE GAIN
0C		FA	FA	FA	FA	VERTICAL APPERTURE GAIN
0D		13	13	13	13	APERTURE SLICE CONTROL
0E		A8	A8	A8	A8	Y HI-REF. VALUE FOR C SUPPRESS
0F		10	10	10	10	EDGE REF. VALUE FOR C SUPPRESS
10		05	05	05	05	Y SIGNAL GAMMA COEFF. 1
11		0A	0A	0A	0A	Y SIGNAL GAMMA COEFF. 2
12		1C	1C	1C	1C	Y SIGNAL GAMMA COEFF. 3
13		30	30	30	30	Y SIGNAL GAMMA COEFF. 4
14		4D	4D	4D	4D	Y SIGNAL GAMMA COEFF. 5
15		76	76	76	76	Y SIGNAL GAMMA COEFF. 6
16		BA	BA	BA	BA	Y SIGNAL GAMMA COEFF. 7
17		DA	DA	DA	DA	Y SIGNAL GAMMA COEFF. 8
18		00	00	00	00	Y LPF SELECTION
19		11	11	11	11	Cr/Cb/Y LPF SELECTION
1A		42	42	42	42	C MATRIX COEF. OF Cr SIGNAL
1B		66	66	66	66	C MATRIX COEF. OF Cb SIGNAL
1C		3D	3D	3D	3D	COLOR W/B COEFF. OF Cr SIGNAL
1D		90	90	90	90	COLOR W/B COEFF. OF Cb SIGNAL
1E		24	24	24	24	C W/B COEF. OF G SIGNAL
1F		05	05	05	05	C DARK SLICE COEF. OF Cr SIG.
20		00	00	00	00	C DARK SLICE COEF. OF Cb SIG.
21		FE	FE	FE	FE	C DARK SLICE COEF. OF G SIG.
22		05	05	05	05	C SIGNAL GAMMA BENDING POINT 1
23		0D	0D	0D	0D	C SIGNAL GAMMA BENDING POINT 2
24		1A	1A	1A	1A	C SIGNAL GAMMA BENDING POINT 3
25		38	38	38	38	C SIGNAL GAMMA BENDING POINT 4
26		58	58	58	58	C SIGNAL GAMMA BENDING POINT 5
27		88	88	88	88	C SIGNAL GAMMA BENDING POINT 6
28		BA	BA	BA	BA	C SIGNAL GAMMA BENDING POINT 7
29		DA	DA	DA	DA	C SIGNAL GAMMA BENDING POINT 8
2A		59	59	59	59	Cr(R-G) SIGNAL POSITIVE GAIN
2B		59	59	59	59	Cr(R-G) SIGNAL NEGATIVE GAIN

Alignment and adjustment

MODE	OSD	VP-L100		VP-L150		NAME OF ADJUSTMENT
		DATA1	DATA2	DATA1	DATA2	
2C		F2	F2	F2	F2	Cr(B-G) SIGNAL POSITIVE GAIN
2D		F2	F2	F2	F2	Cr(B-G) SIGNAL NEGATIVE GAIN
2E		D9	D9	D9	D9	Cb(R-G) SIGNAL POSITIVE GAIN
2F		D9	D9	D9	D9	Cb(R-G) SIGNAL NEGATIVE GAIN
30		72	72	72	72	Cb(B-G) SIGNAL POSITIVE GAIN
31		72	72	72	72	Cb(B-G) SIGNAL NEGATIVE GAIN
32		47	47	47	47	INDOOR R-Y POSITIVE GAIN
33		50	50	50	50	INDOOR R-Y NEGATIVE GAIN
34		05	05	05	05	INDOOR R-Y POSITIVE GAIN
35		08	08	08	08	INDOOR R-Y NEGATIVE GAIN
36		28	28	28	28	INDOOR B-Y POSITIVE GAIN
37		20	20	20	20	INDOOR B-Y NEGATIVE GAIN
38		20	20	20	20	INDOOR B-Y POSITIVE GAIN
39		0C	0C	0C	0C	INDOOR B-Y NEGATIVE GAIN
3A		C8	C8	C8	C8	NEGA MODE W/B B CONTROL
3B		28	28	28	28	SPOT MODE AE TARGET
3C		35	35	35	35	R DETECT WINDOW H START POINT
3D		50	50	50	50	R DETECT WINDOW H STOP POINT
3E		3A	3A	3A	3A	R DETECT WINDOW V START POINT
3F		4B	4B	4B	4B	R DETECT WINDOW V STOP POINT
40		00	00	00	00	DSP ODM COMMENT
41		30	30	30	30	CLIP COUNTER THRESHOULD
42		80	80	80	80	COLOR ADJUST START VALUE
43		85	85	85	85	R TARGET UP/DOWN OF D ZOOM
44		00	00	00	00	B TARGET UP/DOWN OF D ZOOM
45		FF	FF	FF	FF	SHUTTER OF D ZOOM
46		00	00	00	00	CCD DEFECT COMPENSATION FACTOR
47		F0	F0	F0	F0	ODM AE CLIP THRESHOULD VALUE
48		FF	FF	FF	FF	ODM Y UPPER VALUE OF AE MODE
49		00	00	00	00	ODM Y LOWER VALUE OF AE MODE
4A		3F	3F	3F	3F	ODM Y UPPER VALUE OF AWB MODE
4B		00	00	00	00	ODM Y LOWER VALUE OF AWB MODE
4C		FF	FF	FF	FF	R-Y THRESHOULD VALUE OF AWB MODE
4D		FF	FF	FF	FF	B-Y THRESHOULD VALUE OF AWB MODE
4E		3F	3F	3F	3F	(R-Y)+(B-Y) THRESHOULD VALUE
4F		20	20	20	20	WHITE DETECTION THRESHOULD VALUE
50		00	00	00	00	DIGITAL CLAMP OPTICAL BLACK POINT
51		01	01	01	01	Y DELAY CONTROL SELECTION
52		A0	A0	A0	A0	Y SIGNAL GAIN
53		88	88	88	88	CHROMA GAIN CONTROL
54		83	83	83	83	Y SET-UP LEVEL CONTROL
55		D0	D0	D0	D0	WHITE CLIP CONTROL
56		2C	2C	2C	2C	LUMINANCE BLANK LEVEL
57		ED	ED	ED	ED	B-Y SIGNAL BURST LEVEL CONTROL
58		14	14	14	14	R-Y SIGNAL BURST LEVEL CONTROL
59		87	87	87	87	BURST FLAG DELAY SELECTION
5A		00	00	00	00	FSC/2FSC CONTROL
5B		00	00	00	00	DELAY CONTROL SELECTION
5C		3F	3F	3F	3F	DELAY CONTROL SELECTION
5D		04	04	04	04	SCK CONTROL
5E		04	04	05	05	D/ZOOM MODE SELECTION
5F		02	02	02	02	TG MODE SELECTION
60		00	00	00	00	INVERSE NUMBER OF V ZOOM RATIO
61		0C	0C	0C	0C	CCD V START POINT(INTEGER LINE)
62		00	00	00	00	CCD V START POINT(SUB PIXEL)
63		83	83	83	83	SHUTTER MODE
64		FF	FF	FF	FF	HIGH SHUTTER SPEED CONTROL
65		0E	0E	0E	0E	H1/H2/RG DELAY CONTROL
66		DC	DC	DC	DC	SHP/SHD DELAY CONTROL
67		00	00	00	00	SPO/FECKDELAY CONTROL

MODE	OSD	VP-L100		VP-L150		NAME OF ADJUSTMENT
		DATA1	DATA2	DATA1	DATA2	
68		00	00	00	00	RG/SHP PULSE WIDTH ADJUSTMENT
69		80	80	80	80	D ZOOM MODE SELECTION
6A		00	00	00	00	HORIZONTAL D ZOOM STEP
6B		00	00	00	00	VERTICAL D ZOOM STEP
6C		00	00	00	00	HORIZONTAL START READ ADDRESS -H
6D		01	01	01	01	HORIZONTAL START READ ADDRESS -L
6E		00	00	00	00	HORIZONTAL D ZOOM START SUB PIXEL
6F		00	00	00	00	V D ZOOM START SUB PIXEL ODD FIELD
70		00	00	00	00	V D ZOOM START SUB PIXEL EVEN FIELD
71		47	47	47	47	OUTDOOR R-Y POSITIVE GAIN
72		48	48	48	48	OUTDOOR R-Y NEGATIVE GAIN
73		05	05	05	05	OUTDOOR R-Y POSITIVE HUE
74		15	15	15	15	OUTDOOR R-Y NEGATIVE HUE
75		2C	2C	2C	2C	OUTDOOR B-Y POSITIVE GAIN
76		25	25	25	25	OUTDOOR B-Y NEGATIVE GAIN
77		20	20	20	20	OUTDOOR B-Y POSITIVE HUE
78		0C	0C	0C	0C	OUTDOOR B-Y NEGATIVE HUE
79		48	48	48	48	R VALUE OF SEPIA MODE
7A		20	20	20	20	G VALUE OF SEPIA MODE
7B		78	78	78	78	R VALUE OF YELLOW MODE
7C		60	60	60	60	G VALUE OF YELLOW MODE
7D		88	88	88	88	HALL REFERENCE START VALUE
7E		20	20	20	20	HALL GAIN START VALUE
7F		4B	4B	4B	4B	HALL MINIMUM VALUE (IRIS OPEN)
80		D7	D7	D7	D7	HALL MAXIMUM VALUE(IRIS CLOSE)
81		18	18	18	18	OUTDOOR DETECT IRIS CTL VALUE
82		80	80	80	80	AE TARGET (LOW BYTE)
83		05	05	05	05	AE TARGET (HIGH BYTE)
84		A0	A0	A0	A0	IRIS CONTROL MIN VALUE
85		3A	3A	3A	3A	IRIS CONTROL MAX VALUE
86		02	02	02	02	TARGET MARGEIN OF IRIS ADJUSTMENT
87		12	12	12	12	CCD WHITE DEFECTS ADJUSTMENT
88		85	85	85	85	AGC MAXIMUM CONTROL
89		10	10	10	10	NOT USED
8A		09	09	09	09	BLC ON AE TARGET
8B		48	48	48	48	CINEMA/SPOT LIGHT BLC TARGET
8C		08	08	08	08	SAND/SNOW MODE AE TARGET
8D		08	08	08	08	NEGA MODE AE TARGET
8E		0A	0A	0A	0A	NOT USED
8F		86	86	86	86	WHITE BALANCE R TARGET
90		74	74	74	74	WHITE BALANCE B TARGET
91		45	45	45	45	R INDOOR START VALUE OF W/B ADJUSTMENT
92		85	85	85	85	B INDOOR START VALUE OF W/B ADJUSTMENT
93		65	65	65	65	R OUTDOOR START VALUE OF W/B ADJUSTMENT
94		68	68	68	68	R INDOOR START VALUE OF W/B ADJUSTMENT
95		3C	3C	3C	3C	R INDOOR CONTROL VALUE
96		98	98	98	98	B INDOOR CONTROL VALUE
97		75	75	75	75	R OUTDOOR CONTROL VALUE
98		5C	5C	5C	5C	B OUTDOOR CONTROL VALUE
99		02	02	02	02	R OUTDOOR CONTROL UP/DOWN MARGIN
9A		83	83	83	83	R INDOOR CONTROL UP/DOWN MARGIN
9B		03	03	03	03	B INDOOR CONTROL UP/DOWN MARGIN
9C		8D	8D	8D	8D	B OUTDOOR CONTROL UP/DOWN MARGIN
9D		00	00	00	00	INITIAL(POWER ON) R CTL START DATA
9E		00	00	00	00	INITIAL(POWER ON) B CTL START VALUE
9F		6E	6E	6E	6E	W/B TABLE MODE
A0		02	02	02	02	W/B SD/3+AEAVR-MAXDETE
A1		90	90	90	90	W/B CONTROL BOUNDARY
A2		A6	A6	A6	A6	W/B CTL STOP HALL OF MACRO AREA
A3		48	48	48	48	W/B OUTDOOR STOP HALL

Alignment and adjustment

MODE	OSD	VP-L100		VP-L150		NAME OF ADJUSTMENT
		DATA1	DATA2	DATA1	DATA2	
A4		00	00	00	00	R/B CTL SPEED UP/DOWN MODE
A5		48	48	48	48	CINEMA AE TAGET
A6		30	30	30	30	CINEMA / SPOT AE TAGET
A7		20	20	20	20	W/B STABLE CONDITION
A8		05	05	05	05	R CONTROL UP/DOWN OF D ZOOM
A9		05	05	05	05	B CONTROL UP/DOWN OF D ZOOM
AA		0E	0E	0E	0E	FOCUS RESET POSITION L
AB		11	11	11	11	FOCUS RESET POSITION H
AC		4B	4B	4B	4B	ZOOM RESET POSITION L
AD		12	12	12	12	ZOOM RESET POSITION H
AE		83	83	83	83	ZOOM RESET DIFERENCE
AF		40	40	40	40	AF FILTER1 DATA MAGNIFY RATO
B0		B0	B0	B0	B0	FILTER1 NOISE LEVEL(L) OF AREA1
B1		00	00	00	00	FILTER1 NOISE LEVEL(H) OF AREA1
B2		00	00	00	00	FILTER1 NOISE LEVEL(L) OF AREA2
B3		03	03	03	03	FILTER1 NOISE LEVEL(H) OF AREA2
B4		80	80	80	80	FILTER2 NOISE LEVEL(L) OF AREA1
B5		00	00	00	00	FILTER2 NOISE LEVEL(H) OF AREA1
B6		00	00	00	00	FILTER2 NOISE LEVEL(L) OF AREA2
B7		02	02	02	02	FILTER2 NOISE LEVEL(H) OF AREA2
B8		20	20	20	20	NOISE SLICE START AGC
B9		FE	FE	FE	FE	NOISE SLICE MAXIMUM VALUE
BA		30	30	30	30	CHROMA SUPRESS START AGC
BB		03	03	03	03	CHROMA SUPRESS MAXIMUM VALUE
BC		30	30	30	30	EY BLACK START AGC
BD		04	04	04	04	EY BLACK MAXIMUM VALUE
BE		A0	A0	A0	A0	AE TAGET OF NEGA MODE(FADE IN)
BF		66	66	66	66	H/V ADJ UST OF D ZOOM HEADER COMMEND
C0		2A	2A	2A	2A	FADE LIMIT OF NEGA MODE
C1		28	28	28	28	DATA CONTROL BOUNDARY OF OUTDOOR
C2		24	24	24	24	NEGA MODE W/B R-CONTROL DATA
C3		A1	A1	A1	A1	FOCUS RETURN LOW BYTE
C4		15	15	15	15	FOCUS RETURN HIGH BYTE
C5		A0	A0	A0	A0	ZOOM RETURN LOW BYTE
C6		12	12	12	12	ZOOM RETURN HIGH BYTE
C7		05	05	05	05	LENS CHECK MARGIN (WIDE)
C8		12	12	12	12	LENS CHECK MARGIN (TELE)
C9		65	65	65	65	ADJ UST MODE IRIS SETTING DATA
CA		7F	7F	7F	7F	D ZOOM RAITO
CB		06	06	06	06	AE UP/DOWN OF NEGA MODE BLC
CC		00	00	00	00	SETUP ADJ UST ENABLE
CD		70	70	70	70	HALL AUTO ADJ USTMENT
CE		D0	D0	D0	D0	IRIS CONTROL RANGE ADJ USTMENT
CF		FF	FF	FF	FF	WHITE BALANCE AUTO ADJ USTMENT
D0		FF	FF	FF	FF	LENS AUTO ADJ USTMENT
D1		FF	FF	FF	FF	HALL AUTO CHECK
D2		FF	FF	FF	FF	AGC AUTO CHECK
D3		FF	FF	FF	FF	LENS CHECK OF PCB LINE
D4		FF	FF	FF	FF	GYRO SENSOR CHECK (H)
D5		FF	FF	FF	FF	GYRO SENSOR CHECK (V)
D6		80	80	80	80	ZOOM VR CENTER AUTO ADJ USTMENT
D7		01	01	01	01	ZOOM/FOCUS CHECK ENABLE
D8		20	20	20	20	VR ZOOM CENTER MARGEIN
D9		00	00	00	00	COLOR GAIN ADJ USTMENT
DA		7E	7E	7E	7E	SETUP AUTO ADJ USTMENT
DB		08	08	08	08	HALL CHECK THRESHOULD
DC		82	82	82	82	COLOR ADJ UST TARGET VALUE
DD		89	89	89	89	HALL ADJ UST GAIN TARGET
DE		4D	4D	4D	4D	HALL ADJ UST CENTER
DF		00	00	00	00	NOT USED

MODE	OSD	VP-L100		VP-L150		NAME OF ADJUSTMENT
		DATA1	DATA2	DATA1	DATA2	
E0		AA	AA	AA	AA	BK NOISE TH/GAIN OF EIS
E1		5F	5F	5F	5F	H APPERTURE GAIN OF EIS
E2		FF	FF	FF	FF	#0C OF EIS ON
E3		0B	0B	0B	0B	#0D OF EIS ON
E4		A8	A8	A8	A8	#0E OF EIS ON
E5		10	10	10	10	#0F OF EIS ON
E6		00	00	00	00	#18 OF EIS ON
E7		FF	FF	FF	FF	AGC CONTROL OF Y SINGNAL
E8		69	69	69	69	V GAIN-1(A/D GAIN)
E9		80	80	80	80	R TARGET OF W/B AUTO ADJUSTMENT
EA		EB	EB	EB	EB	V GAIN-3(CENTERING GAIN)
EB		06	06	06	06	V STOP NOISE THRESHOULD
EC		8C	8C	8C	8C	H GAIN-1(A/D GAIN)
ED		80	80	80	80	B TARGET OF W/B AUTO ADJUSTMENT
EE		EB	EB	EB	EB	H GAIN-3(CENTERING GAIN)
EF		09	09	09	09	H STOP NOISE THRESHOULD
F0		00	00	00	00	D-ZOOM STEP
F1		01	01	01	01	NOT USED

8. Initial data of camera parts adjustment - **CAMERA AF 2nd MICOM (UPD784035GC-828) DATA - PAL**

MODE	OSD	VP-L100		VP-L150		NAME OF ADJUSTMENT
		DATA1	DATA2	DATA1	DATA2	
CD	HALLA	70	70	70	70	HALL AUTO ADJUSTMENT
CE	IRISRA	D0	D0	D0	D0	IRIS CONTROL RANGE ADJUSTMENT
CF	WBA	FF	FF	FF	FF	WHITE BALANCE AUTO ADJUSTMENT
D0	LENSA	FF	FF	FF	FF	LENS AUTO ADJUSTMENT
D6	Z.CHK	80	80	80	80	ZOOM VR CENTER AUTO ADJUSTMENT
O3	IRIS1	70	70	70	70	IRIS LEVEL CONTROL-HIGH BYTE
O5	P.CLK	40	40	40	40	P.CLK ADJUSTMENT
O7	ADREF	00	00	00	00	A/D REFERENCE CONTROL(SETUP)
O8	S.CLK	0F	0F	0F	0F	SOFT CLIP CONTROL
O9	AGC1	18	18	18	18	AGC CONTROL
OB	HAPER	5A	5A	5A	5A	HORIZONTAL APPERTURE GAIN
OC	YSEL	FA	FA	FA	FA	VERTICAL APPERTURE GAIN
1C	CWBR	3D	3D	3D	3D	COLOR W/B COEFF. OF Cr SIGNAL
1D	CWBB	90	90	90	90	COLOR W/B COEFF. OF Cb SIGNAL
32	CRGP	47	47	47	47	INDOOR R-Y POSITIVE GAIN
33	CRGN	50	50	50	50	INDOOR R-Y NEGATIVE GAIN
34	CHYE	05	05	05	05	INDOOR R-Y POSITIVE GAIN
35	CHB	08	08	08	08	INDOOR R-Y NEGATIVE GAIN
36	CBGP	28	28	28	28	INDOOR B-Y POSITIVE GAIN
37	CBGN	20	20	20	20	INDOOR B-Y NEGATIVE GAIN
38	CHGR	20	20	20	20	INDOOR B-Y POSITIVE GAIN
39	PCBHN	0C	0C	0C	0C	INDOOR B-Y NEGATIVE GAIN
53	ECCGAN	88	88	88	88	CHROMA GAIN CONTROL
54	ESY	83	83	83	83	Y SET-UP LEVEL CONTROL
55	EWC	D0	D0	D0	D0	WHITE CLIP CONTROL
57	EUSC	ED	ED	ED	ED	B-Y SIGNAL BURST LEVEL CONTROL
58	EVSC	14	14	14	14	R-Y SIGNAL BURST LEVEL CONTROL
5D	XKCON	04	04	04	04	SCK CONTROL
5E	MDESEL	04	04	05	05	D/ZOOM MODE SELECTION
5F	TGMSE	02	02	02	02	TG MODE SELECTION
65	HRGDL	0E	0E	0E	0E	H1/H2/RG DELAY CONTROL
66	SHP.D	DC	DC	DC	DC	SHP/SHD DELAY CONTROL
67	ADDL	00	00	00	00	SPO/FECKDELAY CONTROL
71	ROUGP	47	47	47	47	OUTDOOR R-Y POSITIVE GAIN

MODE	OSD	VP-L100		VP-L150		NAME OF ADJUSTMENT
		DATA1	DATA2	DATA1	DATA2	
72	ROUGN	48	48	48	48	OUTDOOR R-Y NEGATIVE GAIN
73	CHOYE	05	05	05	05	OUTDOOR R-Y POSITIVE HUE
74	CHOB	15	15	15	15	OUTDOOR R-Y NEGATIVE HUE
75	GOUGP	2C	2C	2C	2C	OUTDOOR B-Y POSITIVE GAIN
76	BOUGN	25	25	25	25	OUTDOOR B-Y NEGATIVE GAIN
77	CHOGR	20	20	20	20	OUTDOOR B-Y POSITIVE HUE
78	CHOR	0C	0C	0C	0C	OUTDOOR B-Y NEGATIVE HUE
82	AETAL	80	80	80	80	AE TARGET (LOW BYTE)
83	AETAH	05	05	05	05	AE TARGET (HIGH BYTE)
88	AGCMA	85	85	85	85	AGC MAXIMUM CONTROL
8F	WB TAR	86	86	86	86	WHITE BALANCE R TARGET
90	WB TAB	74	74	74	74	WHITE BALANCE B TARGET
95	R-IN	3C	3C	3C	3C	R INDOOR CONTROL VALUE
96	B-IN	98	98	98	98	B INDOOR CONTROL VALUE
97	R-OUT	75	75	75	75	R OUTDOOR CONTROL VALUE
98	B-OUT	5C	5C	5C	5C	B OUTDOOR CONTROL VALUE
B8	CFAPS	20	20	20	20	NOISE SLICE START AGC
B9	APNSC	FE	FE	FE	FE	NOISE SLICE MAXIMUM VALUE
BB	CFAOR	03	03	03	03	CHROMA SUPPRESS MAXIMUM VALUE
BC	BLKST	30	30	30	30	EY BLACK START AGC
BD	BLKMX	04	04	04	04	EY BLACK MAXIMUM VALUE
00		00	00	00	00	NOT USED
01		40	40	40	40	HALL GAIN
02		80	80	80	80	HALL REFERENCE
03		70	70	70	70	IRIS LEVEL CONTROL-HIGH BYTE
04		00	00	00	00	IRIS LEVEL CONTROL-L
05		40	40	40	40	P.CLK ADJ USTMENT
06		00	00	00	00	P.CLK PWM CONTROL-L
07		00	00	00	00	A/D REFERENCE CONTROL(SETUP)
08		0F	0F	0F	0F	SOFT CLIP CONTROL
09		18	18	18	18	AGC CONTROL
0A		66	66	66	66	H/V BLACK NOIS THRESHOLD/GAIN
0B		5A	5A	5A	5A	HORIZONTAL APPERTURE GAIN
0C		FA	FA	FA	FA	VERTICAL APPERTURE GAIN
0D		13	13	13	13	APERTURE SLICE CONTROL
0E		A8	A8	A8	A8	Y HI-REF. VALUE FOR C SUPPRESS
0F		10	10	10	10	EDGE REF. VALUE FOR C SUPPRESS
10		05	05	05	05	Y SIGNAL GAMMA COEFF. 1
11		0A	0A	0A	0A	Y SIGNAL GAMMA COEFF. 2
12		1C	1C	1C	1C	Y SIGNAL GAMMA COEFF. 3
13		30	30	30	30	Y SIGNAL GAMMA COEFF. 4
14		4D	4D	4D	4D	Y SIGNAL GAMMA COEFF. 5
15		76	76	76	76	Y SIGNAL GAMMA COEFF. 6
16		BA	BA	BA	BA	Y SIGNAL GAMMA COEFF. 7
17		DA	DA	DA	DA	Y SIGNAL GAMMA COEFF. 8
18		00	00	00	00	Y LPF SELECTION
19		11	11	11	11	Cr/Cb/Y LPF SELECTION
1A		42	42	42	42	C MATRIX COEF. OF Cr SIGNAL
1B		66	66	66	66	C MATRIX COEF. OF Cb SIGNAL
1C		3D	3D	3D	3D	COLOR W/B COEFF. OF Cr SIGNAL
1D		90	90	90	90	COLOR W/B COEFF. OF Cb SIGNAL
1E		24	24	24	24	C W/B COEF. OF G SIGNAL
1F		05	05	05	05	C DARK SLICE COEF. OF Cr SIG.
20		00	00	00	00	C DARK SLICE COEF. OF Cb SIG.
21		FE	FE	FE	FE	C DARK SLICE COEF. OF G SIG.
22		05	05	05	05	C SIGNAL GAMMA BENDING POINT 1
23		0D	0D	0D	0D	C SIGNAL GAMMA BENDING POINT 2
24		1A	1A	1A	1A	C SIGNAL GAMMA BENDING POINT 3
25		38	38	38	38	C SIGNAL GAMMA BENDING POINT 4
26		58	58	58	58	C SIGNAL GAMMA BENDING POINT 5

MODE	OSD	VP-L100		VP-L150		NAME OF ADJUSTMENT
		DATA1	DATA2	DATA1	DATA2	
27		88	88	88	88	C SIGNAL GAMMA BENDING POINT 6
28		BA	BA	BA	BA	C SIGNAL GAMMA BENDING POINT 7
29		DA	DA	DA	DA	C SIGNAL GAMMA BENDING POINT 8
2A		59	59	59	59	Cr(R-G) SIGNAL POSITIVE GAIN
2B		59	59	59	59	Cr(R-G) SIGNAL NEGATIVE GAIN
2C		F2	F2	F2	F2	Cr(B-G) SIGNAL POSITIVE GAIN
2D		F2	F2	F2	F2	Cr(B-G) SIGNAL NEGATIVE GAIN
2E		D9	D9	D9	D9	Cb(R-G) SIGNAL POSITIVE GAIN
2F		D9	D9	D9	D9	Cb(R-G) SIGNAL NEGATIVE GAIN
30		72	72	72	72	Cb(B-G) SIGNAL POSITIVE GAIN
31		72	72	72	72	Cb(B-G) SIGNAL NEGATIVE GAIN
32		47	47	47	47	INDOOR R-Y POSITIVE GAIN
33		50	50	50	50	INDOOR R-Y NEGATIVE GAIN
34		05	05	05	05	INDOOR R-Y POSITIVE GAIN
35		08	08	08	08	INDOOR R-Y NEGATIVE GAIN
36		28	28	28	28	INDOOR B-Y POSITIVE GAIN
37		20	20	20	20	INDOOR B-Y NEGATIVE GAIN
38		20	20	20	20	INDOOR B-Y POSITIVE GAIN
39		0C	0C	0C	0C	INDOOR B-Y NEGATIVE GAIN
3A		C8	C8	C8	C8	NEGA MODE W/B B CONTROL
3B		28	28	28	28	SPOT MODE AE TARGET
3C		35	35	35	35	R DETECT WINDOW H START POINT
3D		50	50	50	50	R DETECT WINDOW H STOP POINT
3E		3A	3A	3A	3A	R DETECT WINDOW V START POINT
3F		4B	4B	4B	4B	R DETECT WINDOW V STOP POINT
40		00	00	00	00	DSP ODM COMMEND
41		30	30	30	30	CLIP COUNTER THRESHOULD
42		80	80	80	80	COLOR ADJUST START VALUE
43		85	85	85	85	R TARGET UP/DOWN OF D ZOOM
44		00	00	00	00	B TARGET UP/DOWN OF D ZOOM
45		FF	FF	FF	FF	SHUTTER OF D ZOOM
46		00	00	00	00	CCD DEFECT COMPENSATION FACTOR
47		F0	F0	F0	F0	ODM AE CLIP THRESHOULD VALUE
48		FF	FF	FF	FF	ODM Y UPPER VALUE OF AE MODE
49		00	00	00	00	ODM Y LOWER VALUE OF AE MODE
4A		3F	3F	3F	3F	ODM Y UPPER VALUE OF AWB MODE
4B		00	00	00	00	ODM Y LOWER VALUE OF AWB MODE
4C		FF	FF	FF	FF	R-Y THRESHOULD VALUE OF AWB MODE
4D		FF	FF	FF	FF	B-Y THRESHOULD VALUE OF AWB MODE
4E		3F	3F	3F	3F	(R-Y)+(B-Y) THRESHOULD VALUE
4F		01	01	01	01	WHITE DETECTION THRESHOULD VALUE
50		00	00	00	00	DIGITAL CLAMP OPTICAL BLACK POINT
51		01	01	01	01	Y DELAY CONTROL SELECTION
52		A0	A0	A0	A0	Y SIGNAL GAIN
53		88	88	88	88	CHROMA GAIN CONTROL
54		83	83	83	83	Y SETUP LEVEL CONTROL
55		D0	D0	D0	D0	WHITE CLIP CONTROL
56		2C	2C	2C	2C	LUMINANCE BLANK LEVEL
57		ED	ED	ED	ED	B-Y SIGNAL BURST LEVEL CONTROL
58		14	14	14	14	R-Y SIGNAL BURST LEVEL CONTROL
59		87	87	87	87	BURST FLAG DELAY SELECTION
5A		00	00	00	00	FSC/2FSC CONTROL
5B		00	00	00	00	DELAY CONTROL SELECTION
5C		3F	3F	3F	3F	DELAY CONTROL SELECTION
5D		04	04	04	04	SCK CONTROL
5E		04	04	05	05	D/ZOOM MODE SELECTION
5F		02	02	02	02	TG MODE SELECTION
60		00	00	00	00	INVERSE NUMBER OF V ZOOM RATIO
61		0C	0C	0C	0C	CCD V START POINT(INTEGER LINE)
62		00	00	00	00	CCD V START POINT(SUB PIXEL)

MODE	OSD	VP-L100		VP-L150		NAME OF ADJUSTMENT
		DATA1	DATA2	DATA1	DATA2	
63		83	83	83	83	SHUTTER MODE
64		FF	FF	FF	FF	HIGH SHUTTER SPEED CONTROL
65		0E	0E	0E	0E	H1/H2/RG DELAY CONTROL
66		DC	DC	DC	DC	SHP/SHD DELAY CONTROL
67		00	00	00	00	SPO/FECKDELAY CONTROL
68		00	00	00	00	RG/SHP PULSE WIDTH ADJUSTMENT
69		80	80	80	80	D ZOOM MODE SELECTION
6A		00	00	00	00	HORIZONTAL D ZOOM STEP
6B		00	00	00	00	VERTICAL D ZOOM STEP
6C		00	00	00	00	HORIZONTAL START READ ADDRESS -H
6D		01	01	01	01	HORIZONTAL START READ ADDRESS -L
6E		00	00	00	00	HORIZONTAL D ZOOM START SUB PIXEL
6F		00	00	00	00	V D ZOOM START SUB PIXEL ODD FIELD
70		00	00	00	00	V D ZOOM START SUB PIXEL EVEN FIELD
71		47	47	47	47	OUTDOOR R-Y POSITIVE GAIN
72		48	48	48	48	OUTDOOR R-Y NEGATIVE GAIN
73		05	05	05	05	OUTDOOR R-Y POSITIVE HUE
74		15	15	15	15	OUTDOOR R-Y NEGATIVE HUE
75		2C	2C	2C	2C	OUTDOOR B-Y POSITIVE GAIN
76		25	25	25	25	OUTDOOR B-Y NEGATIVE GAIN
77		20	20	20	20	OUTDOOR B-Y POSITIVE HUE
78		0C	0C	0C	0C	OUTDOOR B-Y NEGATIVE HUE
79		48	48	48	48	R VALUE OF SEPIA MODE
7A		20	20	20	20	G VALUE OF SEPIA MODE
7B		78	78	78	78	R VALUE OF YELLOW MODE
7C		60	60	60	60	G VALUE OF YELLOW MODE
7D		88	88	88	88	HALL REFERENCE START VALUE
7E		3A	3A	3A	3A	HALL GAIN START VALUE
7F		4B	4B	4B	4B	HALL MINIMUM VALUE (IRIS OPEN)
80		D7	D7	D7	D7	HALL MAXIMUM VALUE(IRIS CLOSE)
81		18	18	18	18	OUTDOOR DETECT IRIS CTL VALUE
82		80	80	80	80	AE TARGET (LOW BYTE)
83		05	05	05	05	AE TARGET (HIGH BYTE)
84		A0	A0	A0	A0	IRIS CONTROL MIN VALUE
85		3A	3A	3A	3A	IRIS CONTROL MAX VALUE
86		02	02	02	02	TARGET MARGEIN OF IRIS ADJUSTMENT
87		12	12	12	12	CCD WHITE DEFFECTS ADJUSTMENT
88		85	85	85	85	AGC MAXIMUM CONTROL
89		10	10	10	10	NOT USED
8A		09	09	09	09	BLC ON AE TARGET
8B		48	48	48	48	CINEMA/SPOT LIGHT BLC TARGET
8C		08	08	08	08	SAND/SNOW MODE AE TARGET
8D		08	08	08	08	NEGA MODE AE TARGET
8E		0A	0A	0A	0A	NOT USED
8F		88	88	88	88	WHITE BALANCE R TARGET
90		70	70	70	70	WHITE BALANCE B TARGET
91		45	45	45	45	R INDOOR START VALUE OF W/B ADJUSTMENT
92		85	85	85	85	B INDOOR START VALUE OF W/B ADJUSTMENT
93		65	65	65	65	R OUTDOOR START VALUE OF W/B ADJUSTMENT
94		68	68	68	68	R INDOOR START VALUE OF W/B ADJUSTMENT
95		3C	3C	3C	3C	R INDOOR CONTROL VALUE
96		98	98	98	98	B INDOOR CONTROL VALUE
97		75	75	75	75	R OUTDOOR CONTROL VALUE
98		5C	5C	5C	5C	B OUTDOOR CONTROL VALUE
99		02	02	02	02	R OUTDOOR CONTROL UP/DOWN MARGIN
9A		83	83	83	83	R INDOOR CONTROL UP/DOWN MARGIN
9B		03	03	03	03	B INDOOR CONTROL UP/DOWN MARGIN
9C		8D	8D	8D	8D	B OUTDOOR CONTROL UP/DOWN MARGIN
9D		88	88	88	88	INITIAL(POWER ON) R CTL START DATA
9E		00	00	00	00	INITIAL(POWER ON) B CTL START VALUE

MODE	OSD	VP-L100		VP-L150		NAME OF ADJUSTMENT
		DATA1	DATA2	DATA1	DATA2	
9F		6E	6E	6E	6E	W/B TABLE MODE
A0		02	02	02	02	W/B SD/3+AEAVR-MAXDETE
A1		90	90	90	90	W/B CONTROL BOUNDARY
A2		A6	A6	A6	A6	W/B CTL STOP HALL OF MACRO AREA
A3		48	48	48	48	W/B OUTDOOR STOP HALL
A4		8A	8A	8A	8A	R OUTDOOR CONTROL UP/DOWN OF W/B ADJUST
A5		48	48	48	48	CINEMA AE TAGET
A6		30	30	30	30	CINEMA / SPOT AE TAGET
A7		20	20	20	20	W/B STABLE CONDITION
A8		05	05	05	05	R CONTROL UP/DOWN OF D ZOOM
A9		05	05	05	05	B CONTROL UP/DOWN OF D ZOOM
AA		0E	0E	0E	0E	FOCUS RESET POSITION L
AB		11	11	11	11	FOCUS RESET POSITION H
AC		4B	4B	4B	4B	ZOOM RESET POSITION L
AD		12	12	12	12	ZOOM RESET POSITION H
AE		83	83	83	83	ZOOM RESET DIFERENCE
AF		40	40	40	40	AF FILTER1 DATA MAGNIFY RATO
B0		B0	B0	B0	B0	FILTER1 NOISE LEVEL(L) OF AREA1
B1		00	00	00	00	FILTER1 NOISE LEVEL(H) OF AREA1
B2		00	00	00	00	FILTER1 NOISE LEVEL(L) OF AREA2
B3		03	03	03	03	FILTER1 NOISE LEVEL(H) OF AREA2
B4		80	80	80	80	FILTER2 NOISE LEVEL(L) OF AREA1
B5		00	00	00	00	FILTER2 NOISE LEVEL(H) OF AREA1
B6		00	00	00	00	FILTER2 NOISE LEVEL(L) OF AREA2
B7		02	02	02	02	FILTER2 NOISE LEVEL(H) OF AREA2
B8		20	20	20	20	NOISE SLICE START AGC
B9		FE	FE	FE	FE	NOISE SLICE MAXIMUM VALUE
BA		30	30	30	30	CHROMA SUPPRESS START AGC
BB		03	03	03	03	CHROMA SUPPRESS MAXIMUM VALUE
BC		30	30	30	30	EY BLACK START AGC
BD		04	04	04	04	EY BLACK MAXIMUM VALUE
BE		A0	A0	A0	A0	AE TAGET OF NEGA MODE(FADE IN)
BF		66	66	66	66	H/V ADJUST OF D ZOOM HEADER COMMEND
C0		2A	2A	2A	2A	FADE LIMIT OF NEGA MODE
C1		28	28	28	28	DATA CONTROL BOUNDARY OF OUTDOOR
C2		24	24	24	24	NEGA MODE W/B R-CONTROL DATA
C3		A1	A1	A1	A1	FOCUS RETURN LOW BYTE
C4		15	15	15	15	FOCUS RETURN HIGH BYTE
C5		A0	A0	A0	A0	ZOOM RETURN LOW BYTE
C6		12	12	12	12	ZOOM RETURN HIGH BYTE
C7		05	05	05	05	LENS CHECK MARGIN (WIDE)
C8		12	12	12	12	LENS CHECK MARGIN (TELE)
C9		65	65	65	65	ADJUST MODE IRIS SETTING DATA
CA		7F	7F	7F	7F	D ZOOM RAITO
CB		06	06	06	06	AE UP/DOWN OF NEGA MODE BLC
CC		00	00	00	00	SETUP ADJUST ENABLE
CD		70	70	70	70	HALL AUTO ADJUSTMENT
CE		D0	D0	D0	D0	IRIS CONTROL RANGE ADJUSTMENT
CF		FF	FF	FF	FF	WHITE BALANCE AUTO ADJUSTMENT
D0		FF	FF	FF	FF	LENS AUTO ADJUSTMENT
D1		FF	FF	FF	FF	HALL AUTO CHECK
D2		FF	FF	FF	FF	AGC AUTO CHECK
D3		FF	FF	FF	FF	LENS CHECK OF PCB LINE
D4		FF	FF	FF	FF	GYRO SENSOR CHECK (H)
D5		FF	FF	FF	FF	GYRO SENSOR CHECK (V)
D6		80	80	80	80	ZOOM VR CENTER AUTO ADJUSTMENT
D7		01	01	01	01	ZOOM/FOCUS CHECK ENABLE
D8		20	20	20	20	VR ZOOM CENTER MARGEIN
D9		00	00	00	00	COLOR GAIN ADJUSTMENT
DA		7E	7E	7E	7E	SETUP AUTO ADJUSTMENT

Alignment and adjustment

MODE	OSD	VP-L100		VP-L150		NAME OF ADJUSTMENT
		DATA1	DATA2	DATA1	DATA2	
DB		08	08	08	08	HALL CHECK THRESHOLD
DC		82	82	82	82	COLOR ADJ UST TARGET VALUE
DD		89	89	89	89	HALL ADJ UST GAIN TARGET
DE		4D	4D	4D	4D	HALL ADJ UST CENTER
DF		00	00	00	00	NOT USED
E0		AA	AA	AA	AA	BK NOISE TH/GAIN OF EIS
E1		5F	5F	5F	5F	H APPERTURE GAIN OF EIS
E2		FF	FF	FF	FF	#0C OF EIS ON
E3		0B	0B	0B	0B	#0D OF EIS ON
E4		A8	A8	A8	A8	#0E OF EIS ON
E5		10	10	10	10	#0F OF EIS ON
E6		00	00	00	00	#18 OF EIS ON
E7		80	80	80	80	B OUTDOOR CONTROL UP/DOWN OF W/B ADJ UST
E8		69	69	69	69	V GAIN-1(A/D GAIN)
E9		80	80	80	80	R TARGET OF W/B AUTO ADJ USTMENT
EA		EB	EB	EB	EB	V GAIN-3(CENTERING GAIN)
EB		06	06	06	06	V STOP NOISE THRESHOLD
EC		8C	8C	8C	8C	H GAIN-1(A/D GAIN)
ED		7F	7F	7F	7F	B TARGET OF W/B AUTO ADJ USTMENT
EE		EB	EB	EB	EB	H GAIN-3(CENTERING GAIN)
EF		09	09	09	09	H STOP NOISE THRESHOLD
F0		00	00	00	00	D-ZOOM STEP
F1		01	01	01	01	NOT USED

Note : On table you see the "XX XX" for DATA 1/DATA 2
 "XX XX" means arbitrary value.

<Example of the TV screen>

CD	HALLA	<u>XX</u>	<u>XX</u>
		Data in memory	Data to be adjusted

5-2-2 Camera System Adjustment

Note : From now on, the structure of every adjustment is as follows.

Step	Adjustment Item
1)	Mode and input signal/ alignment tape
2)	Test point and ADJ . part
3)	And after Result and Remarks

Note : The on-screen display information.

“XX XX” means arbitrary value.

It can be different number depend on the conditions.

CD	HALLA	XX	XX
----	-------	----	----

1. Focus to zoom tracking

Note : To maintain proper focus throughout the zoom range, the focus lens position must be changed as the zoom lens is moved.

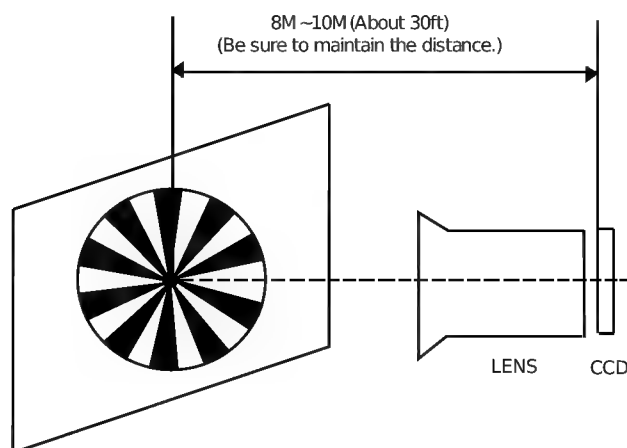
During this adjustment the microprocessor will measure the focus positioning requirements at the wide and telephoto position of the zoom lens.

- 1) Camera “E-E”.
- 2) Focus chart (Attached on the last page of this manual).
- 3) Aim the camera at the focus chart placed about 30ft. (8 to 10 meters) away and perpendicular to the center of the lens.
The chart should be placed on the flat, gray or white wall.
- 4) Connect monitor TV jack to video output jack.
- 5) Press the “MENU(MODE UP)” and “DATE (MODE DOWN)” button, so that the OSD start is “DO LENS A XX XX”.
- 6) Focus adjustment

- a. Full auto : Press “TITLE (CONFIRM)” button for full auto adjustment.

The camera will move both zoom and focus lens.

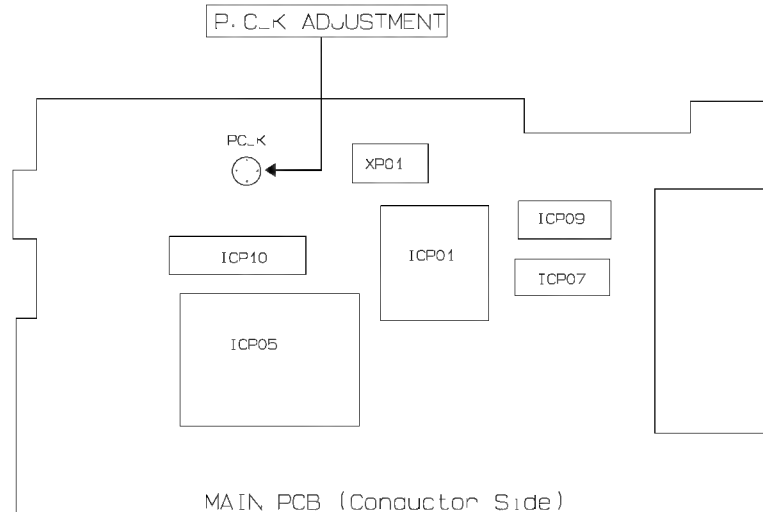
The adjustment is finished when the O.K! message appears on the TV screen.



Alignment and adjustment

2. P. CLK Adjustment

- 1) "Camera", no signal input.
- 2) P.CLK and AF MICOM.
- 3) Connect a frequency counter to P.CLK.
- 4) Press the "MENU (MODE UP)/DATE (MODE DOWN)" button so that the OSD state is "05 P.CLK XX XX".
- 5) Adjust the " DISPLAY (DATA UP)/ C.RESET (DATA DOWN)" button so that frequency is
NTSC : SCL100/SCL150 --> 9.534964MHz \pm 50Hz.
PAL : VP-L100/VP-L150 --> 9.453125MHz \pm 50Hz.



3. Zoom VR Center

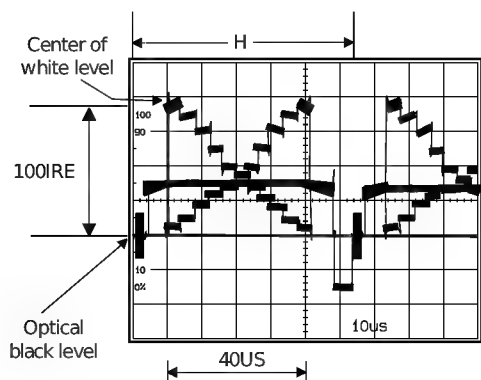
- 1) Camera "E-E", 3100°K gray-scale chart.
- 2) Video(output) jack and EVR.
- 3) Connect monitor TV to video(output) jack.
- 4) Press the "MENU (MODE UP)/DATE (MODE DOWN)" button so that the OSD state is "D6 Z, CHK XX XX".
- 5) Press "TITLE (CONFIRM)" button.
- 6) Then, the microprocessor will work ;
 - Find the Zoom VR Centerposition
 - Store the data to mode D6.

4. Auto hall

- 1) Camera "E-E", 3100°K gray-scale chart.
- 2) Video(output) jack and EVR.
- 3) Connect monitor TV to video(output) jack.
- 4) Press the "MENU (MODE UP)/DATE (MODE DOWN)" button so that the OSD state is "CD HALLA XX XX".
- 5) Press "TITLE (CONFIRM)" button.
- 6) Then, the microprocessor will work ;
 - IRIS open, HALL maximum value found,
 - IRIS closed, HALL minimum value found,
 - IRIS open, HALL maximum value found,
 - Store the data to mode 02 and mode 01.
 - Store the HALL min./max. data to mode 7F and mode 80.

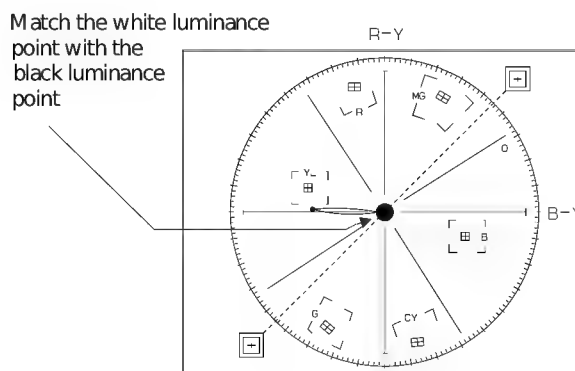
5. AUTO IRIS

- 1) Camera "E-E", 3100°K gray-scale chart.
- 2) Video(output) jack and AF MICOM.
- 3) Connect video(output) jack to waveform monitor input jack and monitor TV jack respectively.
- 4) Press the "MENU (MODE UP)/DATE (MODE DOWN)" button so that the OSD state is "CE IRISA XX XX".
- 5) Press "TITLE(confirm)" Button.
- 6) Then, the micro process will work;
 - IRIS open, IRIS control minimum Value found.
 - IRIS close, IRIS control minimum Value found.
 - Store the data to mode 84 and mode 85.
- 7) The OSD shows "O.K".



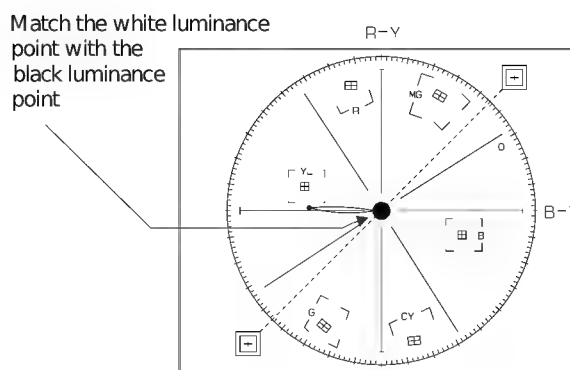
6. Auto white balance

- 1) Camera "E-E", 3100°K/5100°K gray-scale chart.
- 2) Video(output) jack and AF MICOM.
- 4) Connect vectorscope input jack to video(output) jack.
- 3) Press the "MENU (MODE UP)/DATE (MODE DOWN)" button so that the OSD state is "CF WBA XX XX".
 - a. W/B Indoor
 - a-1. Aim the camera at a 3100°K gray-scale chart illuminated at 1500 to 2000 lx. (40us)
 - a-2. Press "TITLE (CONFIRM)" button so that the white vector moves to the center on screen of the vectorscope.
 - a-3. The OSD shows "OK!".
 - b. W/B Outdoor
 - b-1. Aim the camera at a 5100°K gray-scale chart illuminated at 1500 to 2000 lx. (40us)
 - b-2. Press "TITLE (CONFIRM)" button so that the white vector moves to the center on screen of the vectorscope.
 - b-3. The OSD shows "OK!".



7. Pre white balance (I)

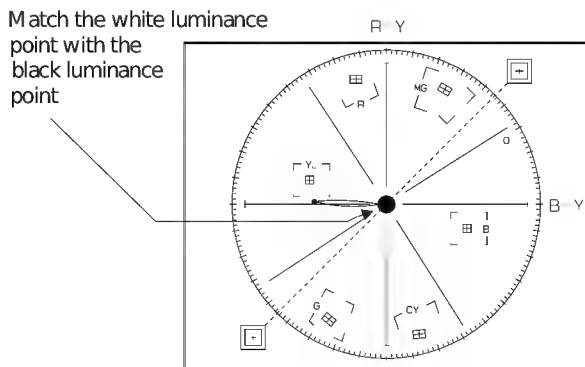
- 1) Camera "E-E", 3100°K gray-scale chart.
- 2) Video(output) jack and AF MICOM.
- 3) Connect vectorscope input jack to video(output) jack.
- 4) Press the "MENU (MODE UP)/DATE (MODE DOWN)" button so that the OSD state is "1C CWBR XX XX".
- 5) Aim the camera at a 3100°K gray-scale chart illuminated at 1500 to 2000 lx.
- 6) Adjust the " DISPLAY (DATA UP)/ C.RESET (DATA DOWN)" button so that the white vector moves to the B-Y axial on screen of the vectorscope.
- 7) The OSD shows "OK!".



Alignment and adjustment

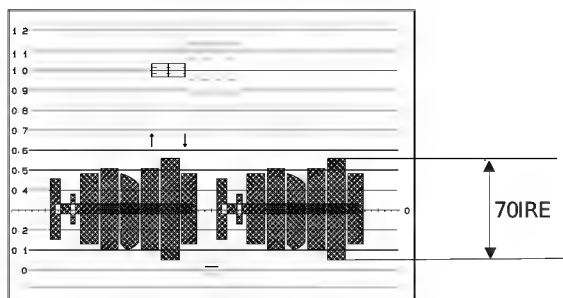
8. Pre white balance (II)

- 1) Camera "E-E", 3100°K gray-scale chart.
- 2) Video(output) jack and AF MICOM.
- 4) Connect vectorscope input jack to video(output) jack.
- 3) Press the "MENU (MODE UP)/DATE (MODE DOWN)" button so that the OSD state is "1D CWBB XX XX".
- 5) Aim the camera at a 3100°K gray-scale chart illuminated at 1500 to 2000 lx.
- 6) Adjust the " DISPLAY (DATA UP)/ C.RESET (DATA DOWN)" button so that the white vector moves to the R-Y axial on screen of the vectorscope.
- 7) The OSD shows "OK!".



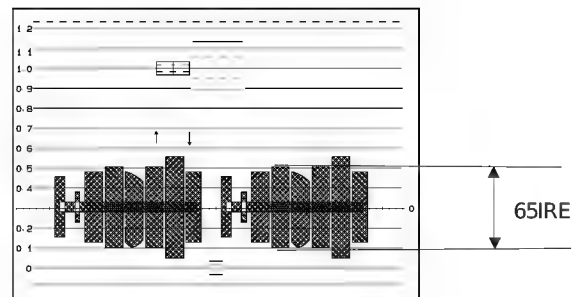
9. R-Y Positive Gain

- 1) Camera "E-E", 3100°K color bar chart.
- 2) Video(output) jack and register of EEPROM.
- 3) Connect video(output) jack to waveform monitor input jack and monitor TV jack respectively.
- 4) Press the "MENU (MODE UP)/DATE (MODE DOWN)" button so that the OSD state is "32 CRGP XX XX".
- 5) Aim the camera at a color bar chart illuminated at 1500 to 2000 lx.
- 6) Adjust the " DISPLAY (DATA UP)/C.RESET(DATA DOWN)" button so that the red level is 70IRE.
- 7) Be sure to press the "TITLE (CONFIRM)" button to memorize setting.
- 8) The OSD shows "OK!".



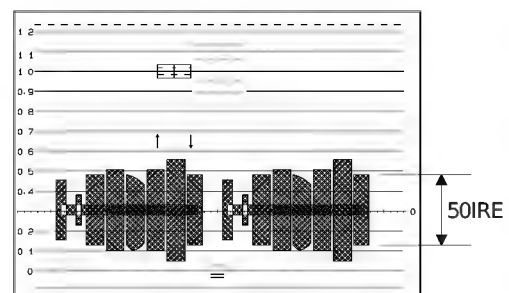
10. R-Y Negative Gain

- 1) Camera "E-E", 3100°K color bar chart.
- 2) Video(output) jack and register of EEPROM.
- 3) Connect video(output) jack to waveform monitor input jack and monitor TV jack respectively.
- 4) Press the "MENU (MODE UP)/DATE (MODE DOWN)" button so that the OSD state is "33 CRGN XX XX".
- 5) Aim the camera at a color bar chart illuminated at 1500 to 2000 lx.
- 6) Adjust the " DISPLAY (DATA UP) / C.RESET(DATA DOWN)" button so that the cyan level is 65IRE.
- 7) Be sure to press the "TITLE (CONFIRM)" button to memorize setting.
- 8) The OSD shows "OK!".



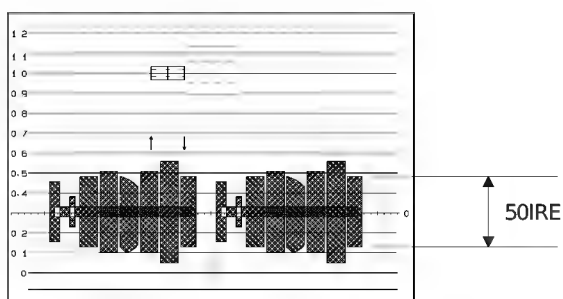
11. B-Y Positive Gain

- 1) Camera "E-E", 3100°K color bar chart.
- 2) Video(output) jack and register of EEPROM.
- 3) Connect video(output) jack to waveform monitor input jack and monitor TV jack respectively.
- 4) Press the "MENU (MODE UP)/DATE (MODE DOWN)" button so that the OSD state is "36 CBGP XX XX".
- 5) Aim the camera at a color bar chart illuminated at 1500 to 2000 lx.
- 6) Adjust the " DISPLAY (DATA UP)/C.RESET (DATA DOWN)" button so that the blue level is 50IRE.
- 7) Be sure to press the "TITLE (CONFIRM)" button to memorize setting.
- 8) The OSD shows "OK!".



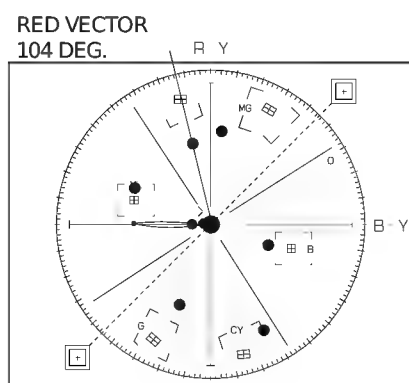
12. B-Y Negative Gain

- 1) Camera "E-E", 3100°K color bar chart.
- 2) Video(output) jack and register of EEPROM.
- 3) Connect video(output) jack to waveform monitor input jack and monitor TV jack respectively.
- 4) Press the "MENU (MODE UP)/DATE (MODE DOWN)" button so that the OSD state is "37 CBGN XX XX".
- 5) Aim the camera at a color bar chart illuminated at 1500 to 2000 lx.
- 6) Adjust the "DISPLAY(DATA UP)/C.RESET (DATA DOWN)" button so that the yellow level is 50IRE.
- 7) Be sure to press the "TITLE (CONFIRM)" button to memorize setting.
- 8) The OSD shows "OK!".



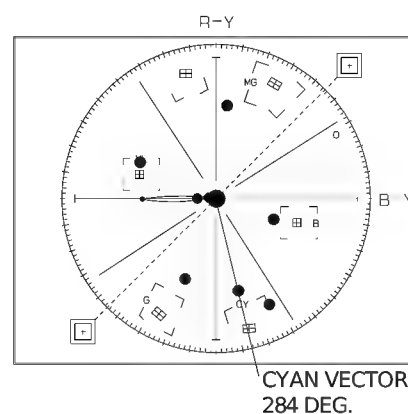
13. R-Y Positive Hue

- 1) Camera "E-E", 3100°K color bar chart.
- 2) Video(output) jack and register of EEPROM.
- 3) Connect video(output) jack to vectorscope input jack and monitor TV jack respectively.
- 4) Press the "MENU (MODE UP)/DATE (MODE DOWN)" button so that the OSD state is "39 CBHN XX XX".
- 5) Aim the camera at a color bar chart illuminated at 1500 to 2000 lx.
- 6) Adjust the " DISPLAY (DATA UP)/C.RESET (DATA DOWN)" button so that the red vector is 104.
- 7) Be sure to press the "TITLE (CONFIRM)" button to memorize setting.
- 8) The OSD shows "OK!".



14. R-Y Negative Hue

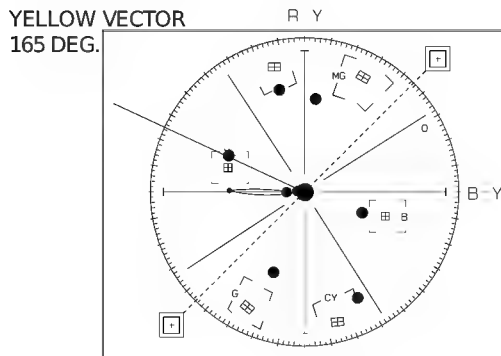
- 1) Camera "E-E", 3100°K color bar chart.
- 2) Video(output) jack and register of EEPROM.
- 3) Connect video(output) jack to vectorscope input jack and monitor TV jack respectively.
- 4) Press the "MENU (MODE UP)/DATE (MODE DOWN)" button so that the OSD state is "38 CHGR XX XX".
- 5) Aim the camera at a color bar chart illuminated at 1500 to 2000 lx.
- 6) Adjust the " DISPLAY (DATA UP)/ C.RESET (DATA DOWN)" button so that the cyan vector is 284.
- 7) Be sure to press the "TITLE (CONFIRM)" button to memorize setting.
- 8) The OSD shows "OK!".



Alignment and adjustment

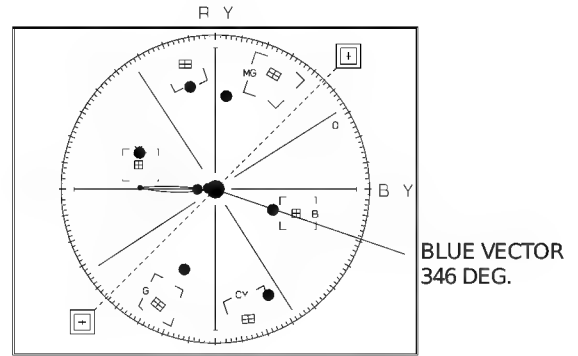
15. B-Y Negative Hue

- 1) Camera "E-E", 3100°K color bar chart.
- 2) Video(output) jack and register of EEPROM.
- 3) Connect video(output) jack to vectorscope input jack and monitor TV jack respectively.
- 4) Press the "MENU (MODE UP)/DATE (MODE DOWN)" button so that the OSD state is "34 CHYE XX XX".
- 5) Aim the camera at a color bar chart illuminated at 1500 to 2000 lx.
- 6) Adjust the "DISPLAY (DATA UP)/ C.RESET (DATA DOWN)" button so that the yellow vector is 165.
- 7) Be sure to press the "TITLE (CONFIRM)" button to memorize setting.
- 8) The OSD shows "OK!".



16. B-Y Positive Hue

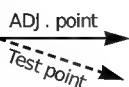
- 1) Camera "E-E", 3100°K color bar chart.
- 2) Video(output) jack and register of EEPROM.
- 3) Connect video(output) jack to vectorscope input jack and monitor TV jack respectively.
- 4) Press the "MENU (MODE UP)/DATE (MODE DOWN)" button so that the OSD state is "35 CHB XX XX".
- 5) Aim the camera at a color bar chart illuminated at 1500 to 2000 lx.
- 6) Adjust the "DISPLAY (DATA UP)/ C.RESET (DATA DOWN)" button so that the blue vector is 346.
- 7) Be sure to press the "TITLE (CONFIRM)" button to memorize setting.
- 8) The OSD shows "OK!".



5-2-3 EVF Adjustment

Note : From this point forward, the structure of every adjustment is as follows.

Step	Adjustment Item
1.	Mode and input signal/ alignment tape
2.	Test point and ADJ . part
3.	Result and Remarks



1. AFC

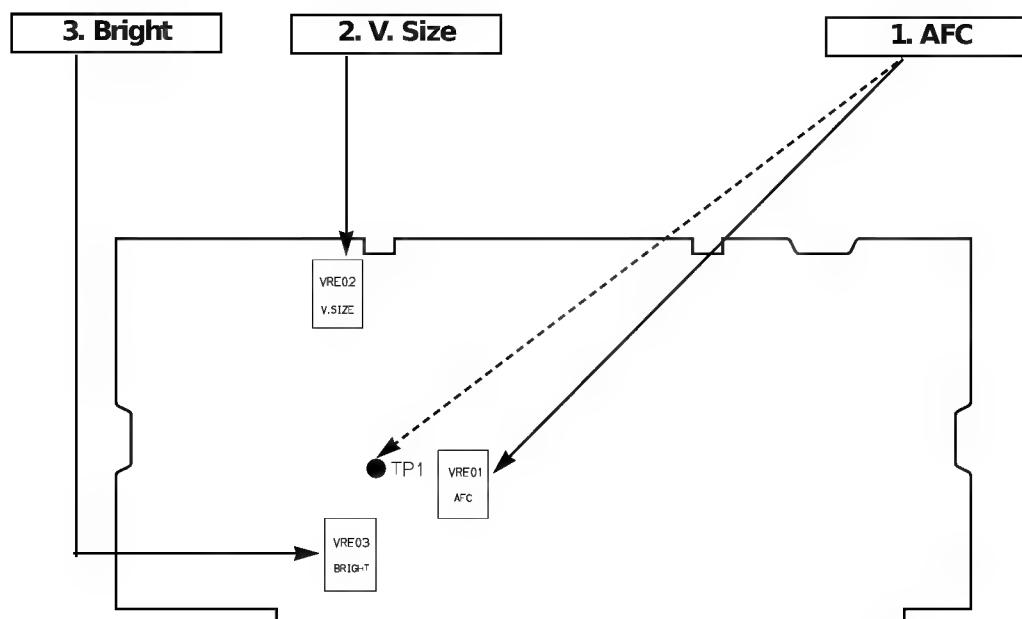
- 1) VCR "PB", Alignment tape (Lion pattern).
- 2) TP1 and VRE01.
- 3) Connect digital voltmeter probe to TP1.
- 4) Adjust VRE01 so that the voltage is DC 2.5V ± 0.1V.

2. V. Size

- 1) VCR "PB", Alignment tape (Lion pattern).
- 2) Viewfinder and VRE02.
- 3) Adjust VRE02 so that the counter circle on the lion pattern is perfect by round.

3. Bright

- 1) VCR "PB", Alignment tape (Lion pattern).
- 2) Viewfinder and VRE03.
- 3) Adjust the VRE03 so that the 3rd and 4th steps of the lion pattern can be distinguished.



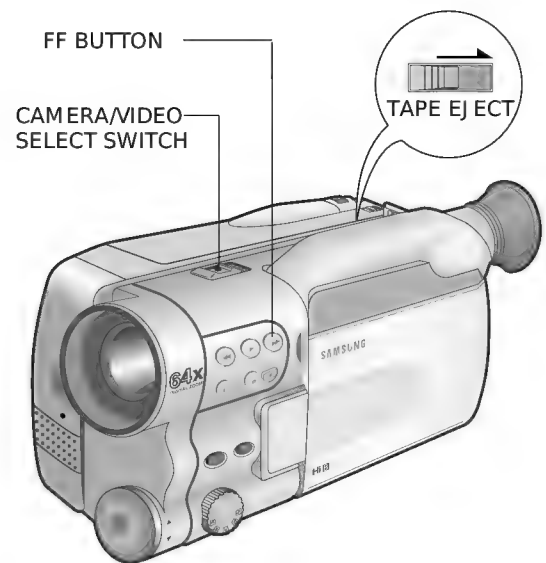
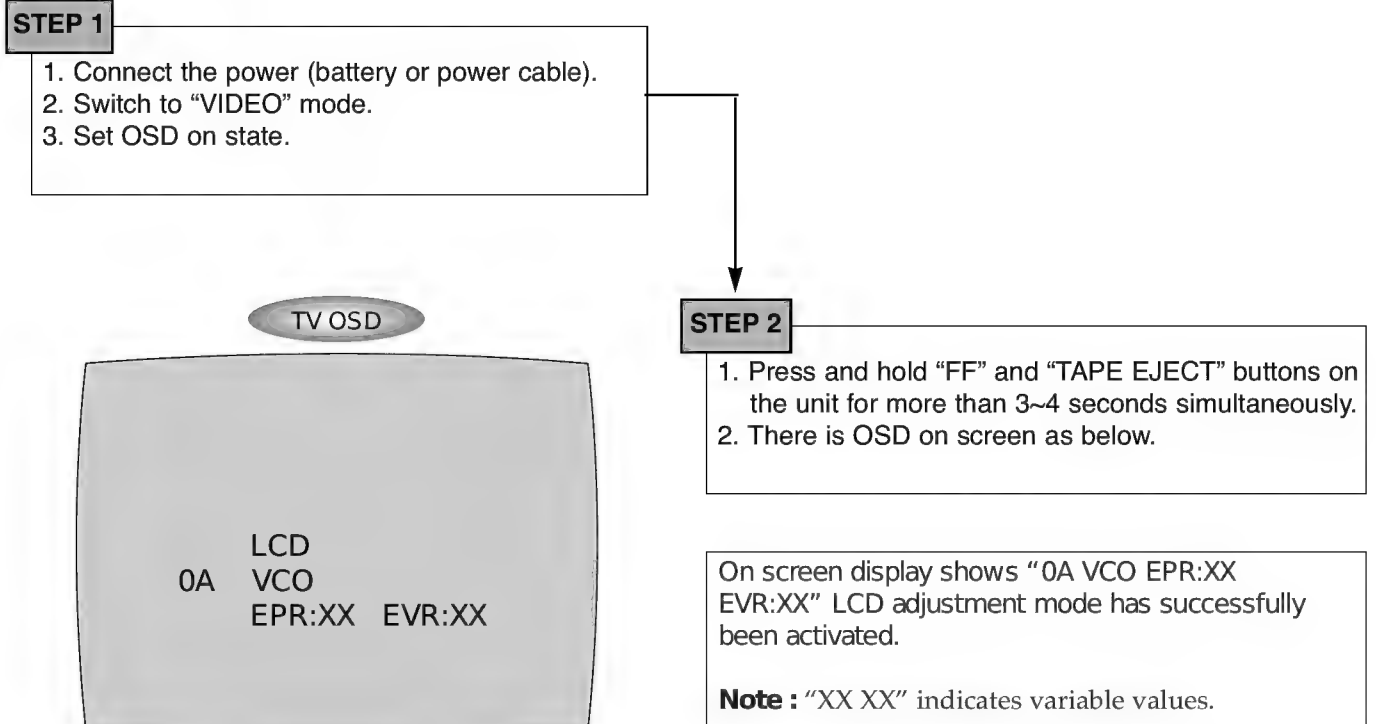
EVF PCB (Component side)

5-2-4 LCD Adjustment

5-2-4 (a) PREPARATION

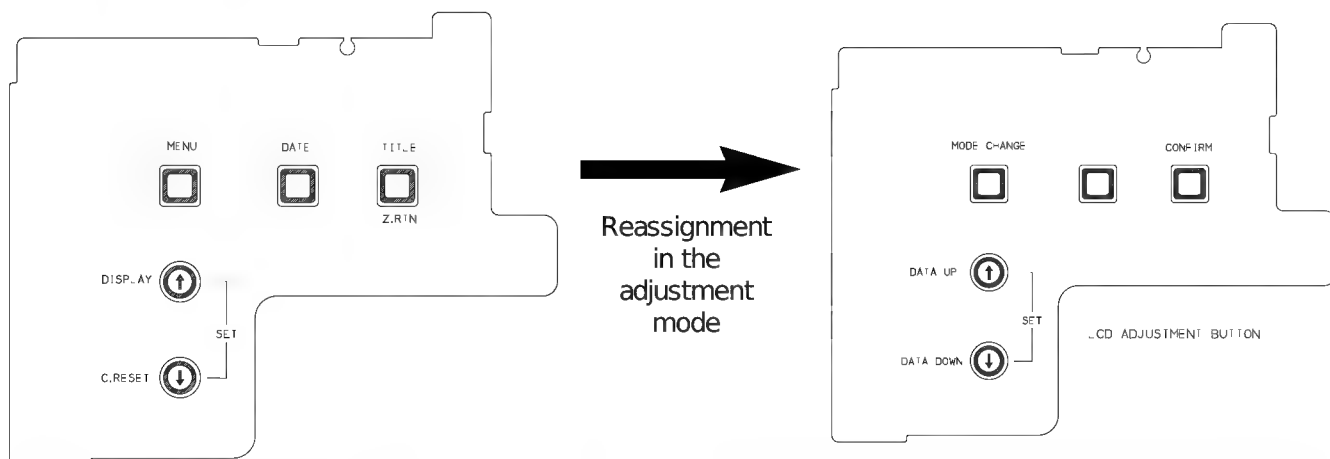
- Note 1 :**
- 1) The LCD adjustment is possible by using the each key of unit.
 - 2) The value completed adjustment are stored at ICL202(EEPROM).
 - 3) When finish adjustment, it is needed to off the power to store adjusted value.
 - 4) After each adjustment step is completed, OSD shows "COMFIRM!"

1. How to select the LCD adjust mode.



2. Unit Key Operation :

Using Button	Adjustment
MENU (MODE CHANGE)	When changing the adjustment mode.
DISPLAY (DATA UP)	When changing data value of adjust state.
C.RESET (DATA DOWN)	
TITLE (CONFIRM)	Data store after finishing adjustment by "DATA UP/DATA DOWN" button.



Note : In service adjustment mode, button names are different from those in customer LCD function control mode. EX : "TITLE" button is the same as "CONFIRM".

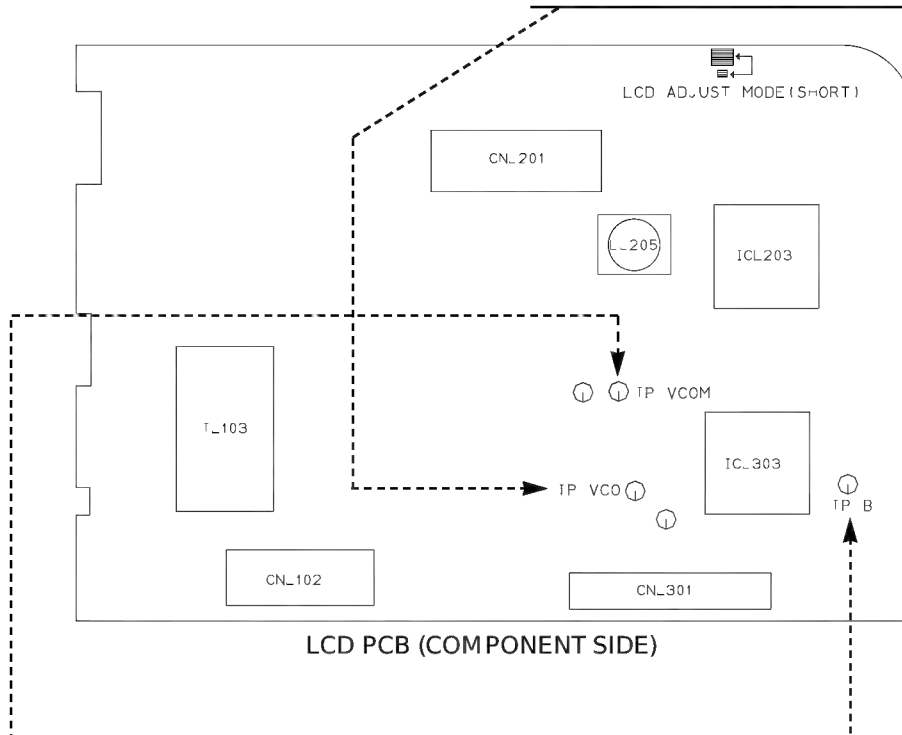
3. Adjust mode table * () : PAL MODE DATA *

ADDRESS	MODE	EPR	EVR	MEAN	REMARK
0A	VCO	XX	XX	VCO	ADJUST
05	BRIGHT	XX	XX	BRIGHT	ADJUST
08	CONTRAST	6A	6A	CONTRAST	FIXED
0B	GAMMA	8A	8A	GAMMA	FIXED
03	TINT	XX	XX	TINT	ADJUST(PAL"00" FIXED)
04	COLOR	XX	XX	COLOR	ADJUST
07	R-SUB	7F	7F	R-SUB BRIGHT	FIXED
09	B-SUB	79	79	B-SUB BRIGHT	FIXED
06	COM	XX	XX	V COM	ADJUST
0C	LED CONT	FF	FF	LED CONTROL TIME	FIXED
0D	BRIG MIN	02	02	BRIGHT MIN	FIXED
0E	BRIG MAX	01	01	MRIGHT MAX	FIXED
0F	COLOR MIN	03(01)	03(01)	COLOR MIN	FIXED
10	COLOR MAX	02(01)	02(01)	COLOR MAX	FIXED
11	TINT MIN	02	02	TINT MIN	FIXED
12	TINT MAX	02	02	TINT MAX	FIXED
13	CHECH 1	19	19	CHECK 1	FIXED
14	CHECK 2	20	20	CHECK 2	FIXED

5-2-4 (b) ADJUSTMENT

1. VCO

- 1) VCR "STOP", no signal.
- 2) TP-VCO and EVR.
- 3) Connect the probe of digital voltmeter to TP-VCO.
- 4) Adjust $DC3.5V \pm 0.05V$ by control of EVR.

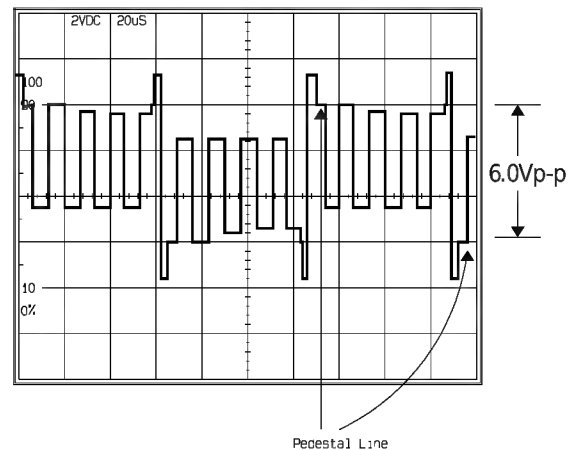


2. V COM

- 1) VCR "STOP", no signal.
- 2) TP-VCOM and EVR.
- 3) Connect the probe of Digital voltmeter to TP-VCOM.
- 4) Adjust $DC5.2V \pm 0.05V$ by control of EVR.

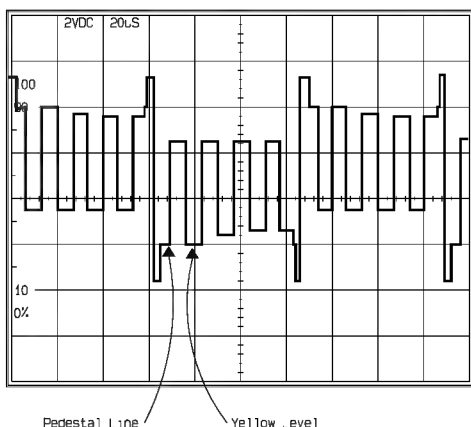
3. Bright

- 1) VCR "PB", Color bar standard tape.
- 2) TP-B and EVR.
- 3) Connect the probe of oscilloscope to TP-B.
- 4) By using "MENU" button of unit change the adjustment address to 05 Bright EPR:XX EVR:XX.
- 5) By using "DISPLAY/C.RESET" button of unit adjust the voltage between pedestals and 6Vp-p.
- 6) Confirm with "TITLE" button of unit.



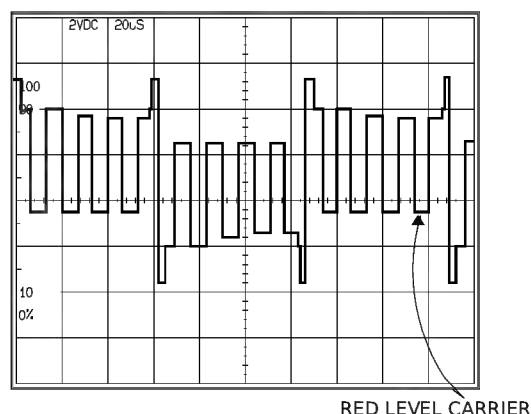
4. Color

- 1) VCR "PB", Color bar standard tape.
- 2) TP-B and EVR.
- 3) Connect the probe of oscilloscope to TP-B.
- 4) By using "MENU" button of unit, change the adjustment address to 04 COLOR EPR:XX EVR:XX.
- 5) By using the "DISPLAY/C.RESET" button of unit, adjust the yellow level is same as pedestal level.
- 6) Confirm with "TITLE" button of unit.



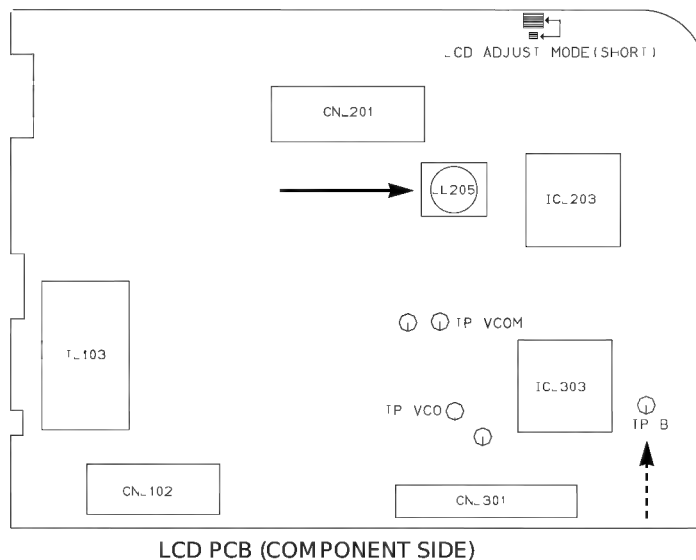
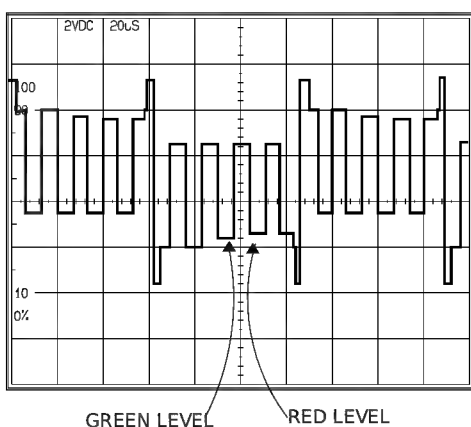
5. C COM (VP-L100/VP-L150 only)

- 1) VCR "PB", Color bar standard tape.
- 2) TP-B and LL205.
- 3) Connect the probe of oscilloscope to TP-B.
- 4) By using "MENU" button of unit, change the adjustment address to 04 COLOR EPR:XX EVR:XX.
- 5) By using the "LL205" of LCD PCB, adjust the red level carrier is minimized.
- 6) Confirm with "TITLE" button of unit.



6. TINT (SCL100/SCL150 only)

- 1) VCR "PB", Color bar standard tape.
- 2) TP-B and EVR.
- 3) Connect the probe of oscilloscope to TP-B.
- 4) By using "MENU" button of unit, change the adjustment address to 03 TINT EPR:XX EVR:XX.
- 5) By using the "DISPLAY/C.RESET" button of unit, adjust so that the red level is same as green level.
- 6) Confirm with "TITLE" button of unit.



5-3 VCR Section Adjustment

5-3-1 Preparations

1. Equipment ;

- 1) TV monitor.
- 2) 2CH oscilloscope(Over 20Mhz, Equiped delay mode).
- 3) Frequency counter.
- 4) Pattern Generator(Equiped composite video out).
- 5) DC power supply(6V to 7V).
- 6) Suupplied standard tape(SP mode, Color-Bar).
- 7) 8mm blank tape for record(Hi8 is not available).

2. Composition of VCR section

- 1) Main PCB (System Control, Servo, Video, Audio, DC/DC Converter, Camera)
- 2) Rear PCB
- 3) Function PCB (Function Menu, Function VCR)

3 Pattern Generator setting ;

The pattern generator satisfy to the regular specifications because VCR adjustment have to use the composite video out of pattern generator. Select the pattern generator to full color bar and connect the output to oscilloscope.

- Confirm 0.3V level of the SYNC-TIP.
- Confirm 0.7V level of the VIDEO-SGNAL.
- Confirm 0.3V level of the COLOR-BURST.

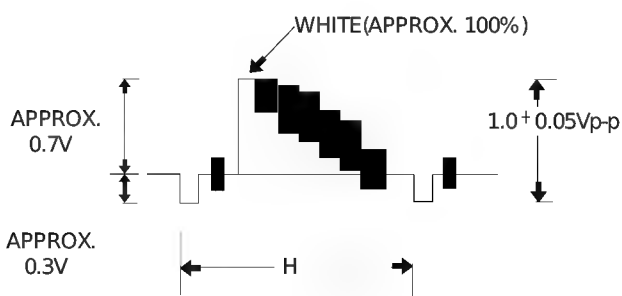


Fig. 1 Color bar signal pattern generator

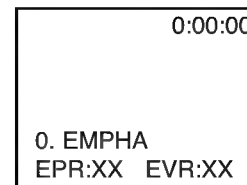
4. How to get into "VCR adjustment " mode

- 1) Supply power source to the camcorder. (DC cable or DC supply)
- 2) Set the CAM/OFF/PLAYER switch to PLAYER.
- 3) Eject the cassette housing with the EJECT button.
- 4) Press and hold the EJECT button and the STOP button on the FUNCTION VCR board at the same time.
 - : If the OSD shows as below, VCR adjustment mode is activated successfully.
- 5) Do the adjustment according to each adjustment method.

: Release of the VCR adjustment mode is possible by below.

-DC power resourcing (means reattachment after detachment.

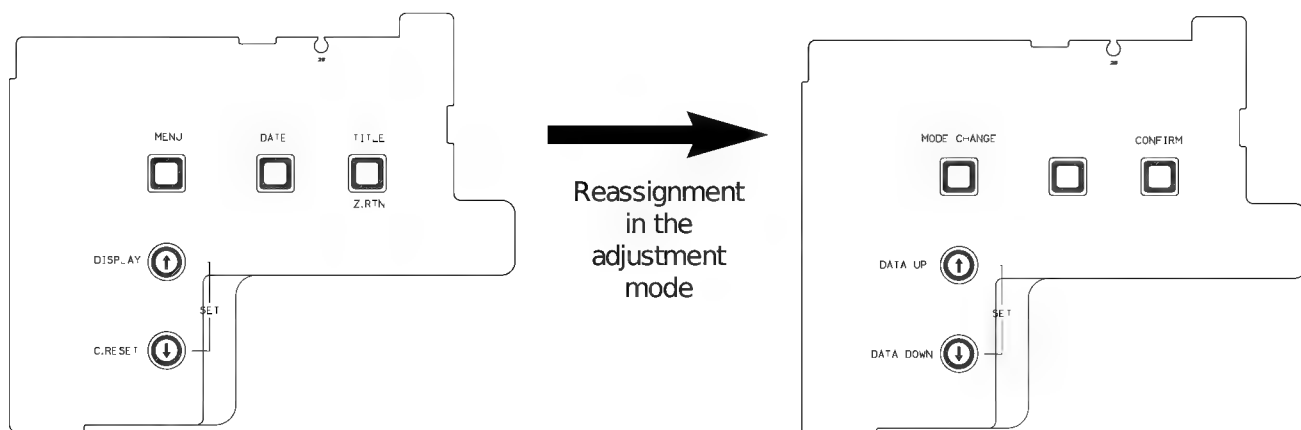
-Resetting of the CAM/OFF/PLAYER switch (means reset to PLAYER after OFF).



5. Location of function buttons for the VCR adjustment.

Function Menu Board for camcorder adjustment

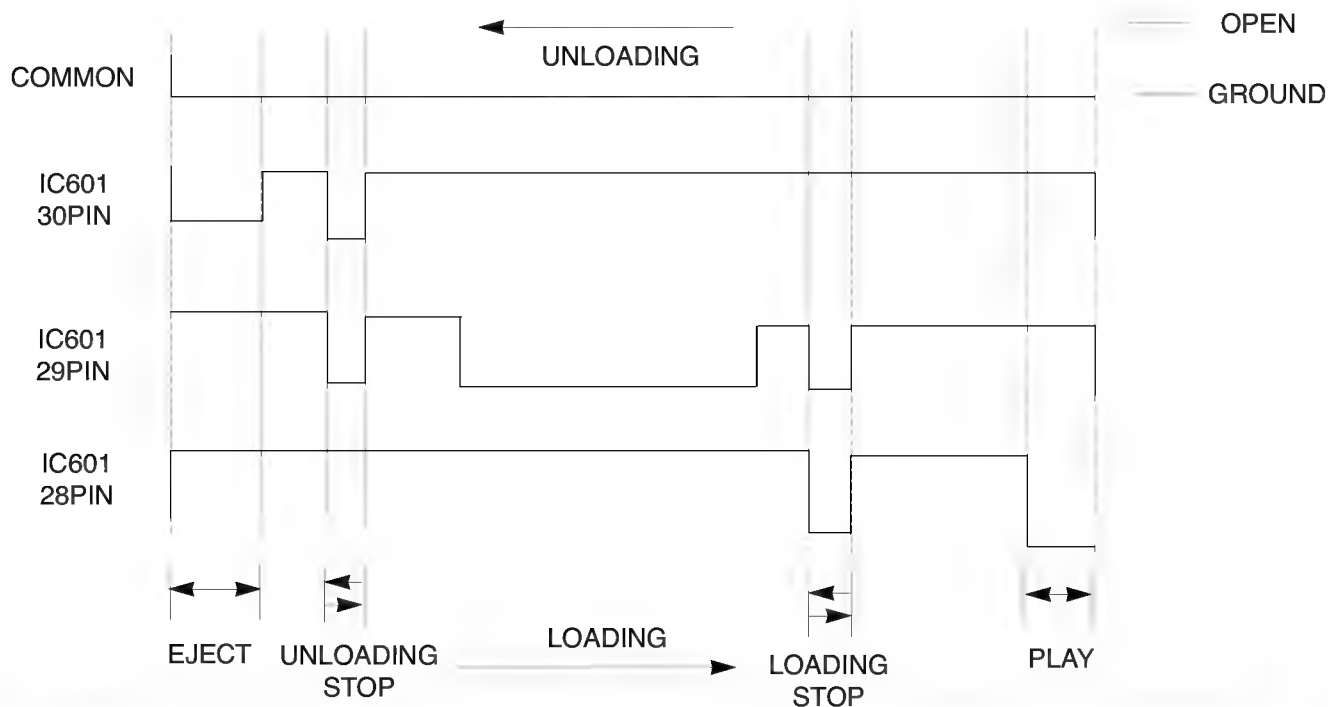
Changed functions of buttons in the VCR adjustment mode.



Note : In the VCR adjustment mode, operation of buttons is different to the customer mode.

- (1).MENU—Used for adjustment mode changing.
- (2).TITLE—Used for confirmation of the adjustment result.
- (3).DISPLAY—Used for data up.
- (4).C.RESET—used for data down.

5-3-2 Timing Chart of Mechanism Mode Switch



POSITION	IC601 30PIN	IC601 29PIN	IC601 28PIN	Action Mode
EJECT	L	H	H	EJECT
UNLOADING STOP	L	L	H	UNLOADING STOP
LOADING STOP	H	L	L	LOADING STOP
PB	H	H	L	PLAY,FF,REW,STILL...

5-3-3 VCR Section

From now on, the structure of every adjustment is as follows.

Note 1 : How to connect the A/V cable to the camcorder and the pattern generator.

- Connect the A/V cable to the camcorder and the pattern generator as shown below.(Fig 2)
- The yellow one is video.

Note 2 : How to record in the VCR mode - Press the DSE button on the FUNCTION-VCR board in the VCR adjustment mode.

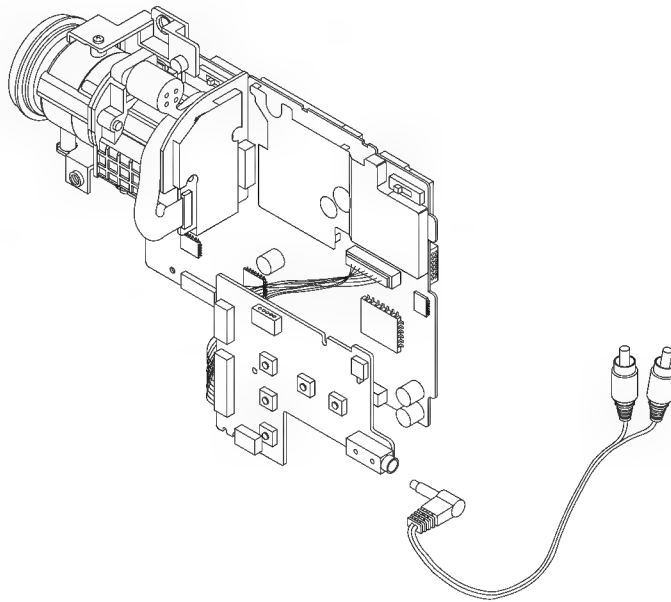


Fig. 2 Video Signal Connection

Note 3 : - Refer to the page 5-41 for the check point of the video block adjustment.

- Refer to the page 5-42 for the check point of the audio block adjustment.

Note 4 : What is the OSD in the VCR adjustment.

0 — It means the mode number of under adjustment.

EMPHA - It means the mode name of under adjustment.

EPR:XX - It means the value which exist in the camcorder already.

EVR:XX - It means the value which changing value of under adjustment.

It is changed by the data-up button and the data-down button.

If you satisfy to a value of under adjustment, press the confirmation button for writing in the camcorder, then the value of the EPR:XX is updated to the value of EVR:XX.

0. EMPHA EPR:XX EVR:XX

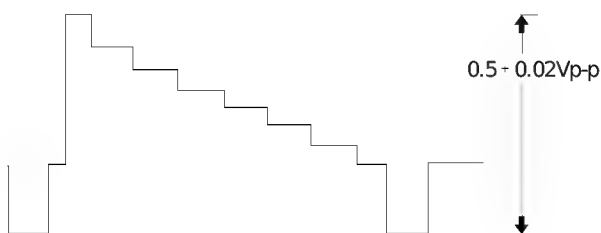
Note 5 : The adjustment mode number means below.

- | | |
|---------------------------------|-------------------------------------|
| -0—Y.Emphasis adjustment. | -1—Y.separation adjustment. |
| -2—Y.FM.Carrier adjustment. | -3—Y.FM.deviation adjustment. |
| -4—Record Y level adjustment. | -5—PB out level adjustment. |
| -6—Audio Deviation adjustment. | -7—Audio BPF adjustment. |
| -8—Volume center value setting. | -9—Head Switching Point adjustment. |
| -A—Custom code setting. | |
| -B—Model Number setting. | |

1. Y.Emphasis adjustment (Video Block)

- 1) Get into the VCR adjustment.
- 2) Confirm the adjustment mode is 0:EMPHA in OSD.
If not, fit the adjustment mode with the MENU (mode change) button.
- 3) Connect the camcorder and the Pattern generator(100% color bar) with A/V cable.
- 4) Connect the oscilloscope to Pin #5 of IC201.
- 5) Set the camcorder to VCR recording.
- 6) Adjust the wave form's level like as below with the DISPLAY (data-up) and the C.RESET (data-down).
Be sure to press the TITLE(confirm) button to update the setting.
- 7) If completed, press the MENU(mode change) button to move to the next adjustment mode.

*. If you want to stop adjustment, do power resourcing.



2. Y-Separation adjustment (Video Block).

: Y.Separation adjustment is fixed to EVR data as follows.

-SCL100 / SCL150 : A8

-VP-L100/VP-L150 : 6F

- 1) Get into the VCR adjustment.
 - 2) Confirm the adjustment mode is 1:Y-SEP in OSD.
If not, fit the adjustment mode with the MENU (mode change) button.
 - 3) Confirm EPR:A8 in OSD
 - 4) If not the data, adjust the data to EPR:A8(or 6F) with the DISPLAY (data-up) and the C.RESET (data-down).
Be sure to press the TITLE(confirm) button to update the setting.
 - 5) If completed, press the MENU(mode change) button to move to the next adjustment mode.
- *. If you want to stop adjustment, do power resourcing.

3. Y-FM Carrier Frequency adjustment (Video Block)

- 1) Get into the VCR adjustment.
 - 2) Confirm the adjustment mode is 1:Y-SEP in OSD.
If not, fit the adjustment mode with the MENU (mode change) button.
 - 3) Set the camcorder to VCR recording.
 - 4) Do not need the input video signal
 - 5) Connect the frequency counter to Pin #39 of IC201.
 - 6) Fit the Frequency to 4.38Mhz \pm 0.02Mhz with the DISPLAY (data-up) and the C.RESET(data-down).
Be sure to press the TITLE(confirm) button to update the setting.
 - 7) If completed, press the MENU(mode change) button to move to the next adjustment mode.
- *. If you want to stop adjustment, do power resourcing.

Alignment and adjustment

4. Y-FM Deviation Adjustment (Video Block)

Note : You have to do the "Y-FM Carrier Frequency" adjustment and the "PB Output Level" adjustment

before you do the Y-FM Deviation adjustment.

Note : It is a little difficult to adjust because you can check the waveform in playback mode even though the adjustment is performed in VCR record mode. When you adjust in record mode, especially, you can not see the waveform of playback so that you need to do it carefully.

- 1) Get into the VCR adjustment.
- 2) Confirm the adjustment mode is 3:DEVIATION in OSD.

If not, fit the adjustment mode with the MENU (mode change) button.

- 3) Connect the camcorder and the Pattern generator(100% color bar) with A/V cable.
- 4) Set the camcorder to VCR recording for over 2 minutes with the pattern generator.
- 5) Connect the oscilloscope to the camcorder's video output.(or Pin #10 of CN502)
- 6) Rewind the recorded portion you did and press the play button.
Confirm the waveform of oscilloscope like as below in playing-back mode.
- 7) If not OK, you have to do the step 3),4),5) and 6) after readjustment.

-In case of the waveform is more than specification.

Press the C.RESET(data down) button to adjust to downward the waveform in STOP mode.
Be sure to press the TITLE(confirm) button to update the setting.
Repeat the step 3),4),5) and 6).

-In case of the waveform is less than specification.

Press the DISPLAY(data up) button to adjust to upward the waveform in STOP mode.
Be sure to press the TITLE(confirm) button to update the setting.
Repeat the step 3),4),5) and 6).

- 8) If completed, press the MENU(mode change) button to move to the next adjustment mode.

*. If you want to stop adjustment, do power resourcing.

5. Record Y Level adjustment (Video Block)

: Record Y Level adjustment is fixed to EVR data as follows .

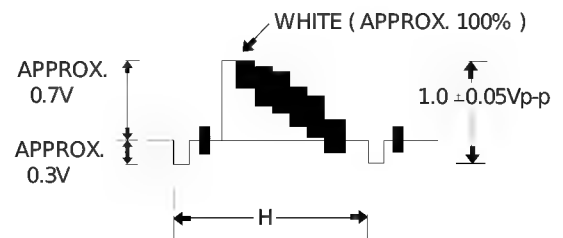
-SCL100 / SCL150 : B9

-VP-L100/VP-L150 : B5

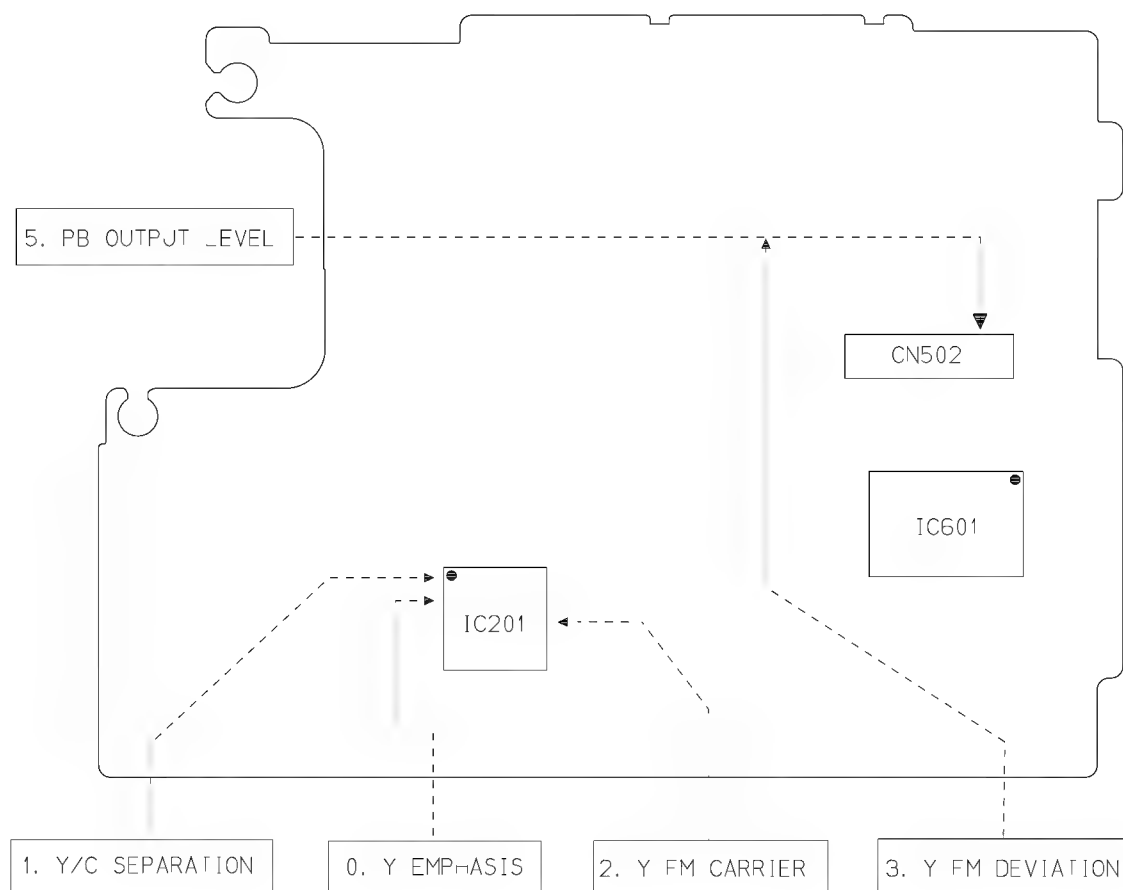
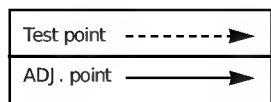
- 1) Get into the VCR adjustment.
- 2) Confirm the adjustment mode is 4:REC Y. in OSD.
If not, fit the adjustment mode with the MENU (mode change) button.
- 3) Confirm EPR:B9 in OSD.
- 4) If not the data, adjust the data to EPR:B9(or B5) with the DISPLAY (data-up) and the C.RESET (data-down).
Be sure to press the TITLE(confirm) button to update the setting.
- 5) If completed, press the MENU(mode change) button to move to the next adjustment mode.
*. If you want to stop adjustment, do power resourcing.

6. PB Output Level adjustment.

- 1) Get into the VCR adjustment.
- 2) Confirm the adjustment mode is 4:REC Y. in OSD.
If not, fit the adjustment mode with the MENU (mode change) button.
- 3) Connect the oscilloscope to the camcorder's video output.(or Pin #10 of CN502)
- 4) Playback the camcorder with SP mode color bar tape.
- 5) Adjust the wave form's level like as below with the DISPLAY(data-up) and the C.RESET(data-down).
Be sure to press the TITLE(confirm) button to update the setting.
- 6) If completed, press the MENU(mode change) button to move to the next adjustment mode.
*. If you want to stop adjustment, do power resourcing.



* Refer to below figure for the check point in the VIDEO block adjustment.



Main PCB (Component Side)

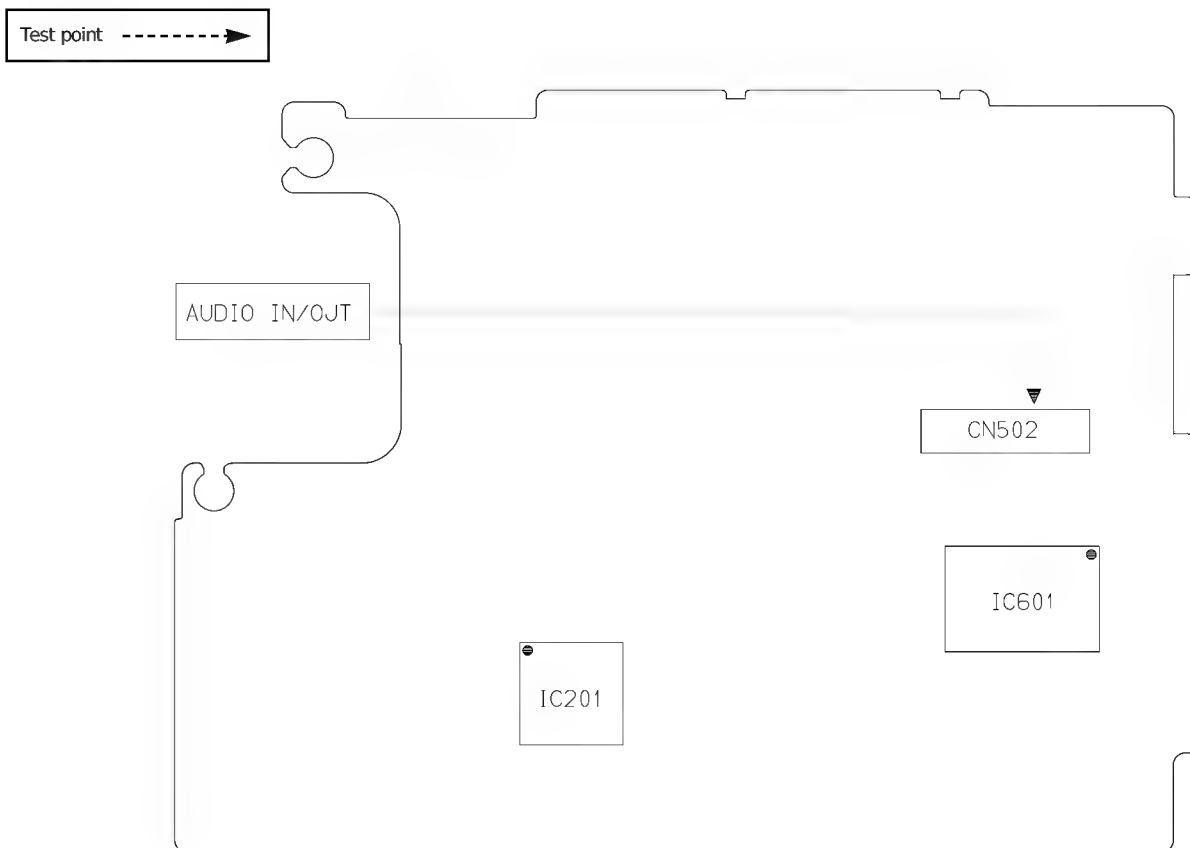
Alignment and adjustment

7. Audio Deviation adjustment (Audio Block)

- 1) Get into the VCR adjustment.
 - 2) Confirm the adjustment mode is 6:AUDIO DEV. in OSD.
If not, fit the adjustment mode with the MENU (mode change) button.
 - 3) Connect the oscilloscope to the camcorder's audio output (or Pin #8 of CN502)
 - 4) Playback the camcorder with SP mode color bar tape.
 - 5) Adjust the wave form's level to be $1.0V \pm 0.1V_{p-p}$ with the DISPLAY(data-up) and the C.RESET(data-down).
Be sure to press the TITLE(confirm) button to update the setting.
 - 6) If completed, press the MENU(mode change) button to move to the next adjustment mode.
- *. If you want to stop adjustment, do power resourcing.

8. Audio BPF adjustment (Audio Block)

- 1) Get into the VCR adjustment.
 - 2) Confirm the adjustment mode is 7:AUDIO BPF. in OSD. If not, fit the adjustment mode with the MENU (mode change) button.
 - 3) Connect the oscilloscope to the camcorder's audio output (or Pin #8 of CN502).
 - 4) Playback the camcorder with SP mode color bar tape.
 - 5) Adjust the wave form's level to be "maximum level and no distortion" with the DISPLAY (data-up) and the C.RESET(data-down).
Be sure to press the TITLE(confirm) button to update the setting.
 - 6) If completed, press the MENU(mode change) button to move to the next adjustment mode.
- *. If you want to stop adjustment, do power resourcing.



Main PCB (Component Side)

9. Volume Center Value setting (Syscon block)

: This setting is performed for definition of the ZOOM VR center value.

Zoom knob operates to volume in playback mode so that we call it to the Volume Center Value setting.

: This setting have to be performed when you changed the REAR board or when the zoom operation is not normal.

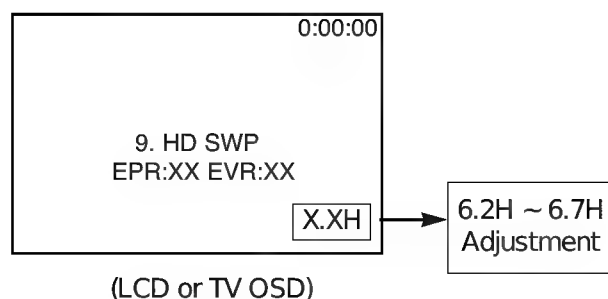
- 1) Get into the VCR adjustment.
- 2) Confirm the adjustment mode is 8:VOLUME. in OSD.
If not, fit the adjustment mode with the MENU(mode change) button.
- 3) The OSD is to be EPR:XX and EVR:YY. The data of YY varies 1 to 3 automatically but it is not trouble.
- 4) Press the TITLE(Confirm) button, then the EPR:XX changes to EPR:YY and the Volume Center Value setting is over.
- 5) If completed, press the MENU(mode change) button to move to the next adjustment mode.
*. If you want to stop adjustment, do power resourcing.

10. Head Switching Point adjustment (Servo block)

: This adjustment have to be performed when you changed the mechanism.

: If you do not this adjustment even though you changed mechanism, there will be noise in playback picture.

- 1) Get into the VCR adjustment.
- 2) Confirm the adjustment mode is 9:HD SWP. in OSD.
If not, fit the adjustment mode with the MENU(mode change) button.
- 3) Playback the camcorder with SP mode color bar tape.
- 4) You can see "X.X H" at the side of mode name in OSD.
- 5) Press the DISPLAY(data-up) or the C.RESET(data-down) until the X.X H is to be $6.5H \pm 0.3$.
The data varies 0.1 to 0.3 automatically but it is not trouble.
- 6) Be sure to press the TITLE(confirm) button to update the setting.
- 7) If completed, press the MENU(mode change) button to move to the next adjustment mode.
*. If you want to stop adjustment, do power resourcing.



11. Custom Code setting.

: This setting is displayed to A.CUSTOM in OSD.

You don't need to set this adjustment mode.

-. Press the MENU(mode change) button to move to the next adjustment mode.

*. If you want to stop adjustment, do power resourcing.

12. Model Number setting.

: This setting is performed for definition of the specification according to the model name

1) Get into the VCR adjustment.

2) Confirm the adjustment mode is 9:HD SWP. in OSD.

If not, fit the adjustment mode with the MENU(mode change) button.

3) The number according to model is showed below.

-.SCL100 : 10 -.SCL150 : 15

-.VP-L100 : 10 -.VP-L150 : 15

4) Press the DISPLAY(data-up) or the C.RESET(data-down) until the EVR:XX is to be what you want.

5) Be sure to press the TITLE(confirm) button to update the setting..

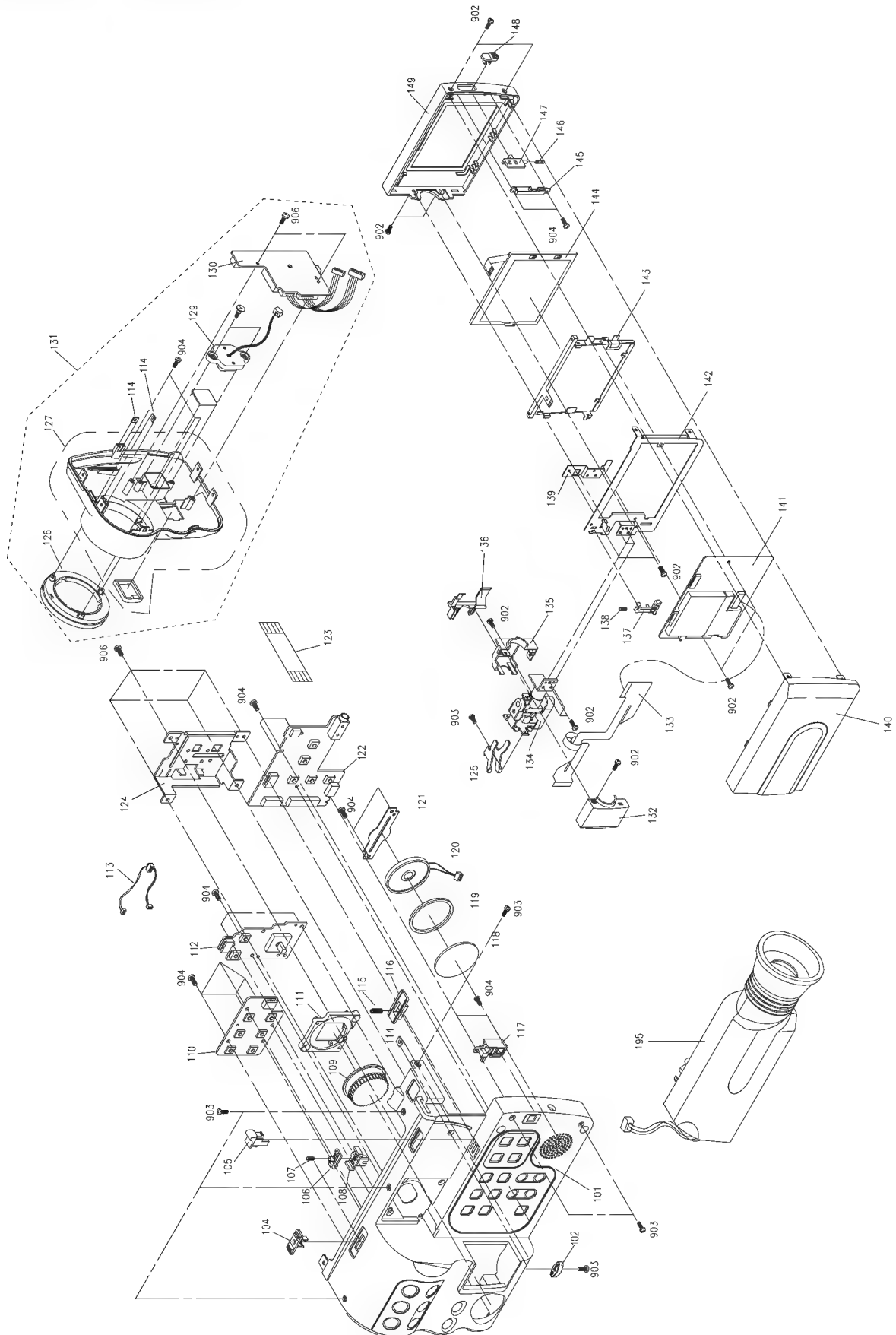
6) If completed, press the MENU(mode change) button to move to the next adjustment mode.

*. If you want to stop adjustment, do power resourcing.

6. Exploded View and Parts List

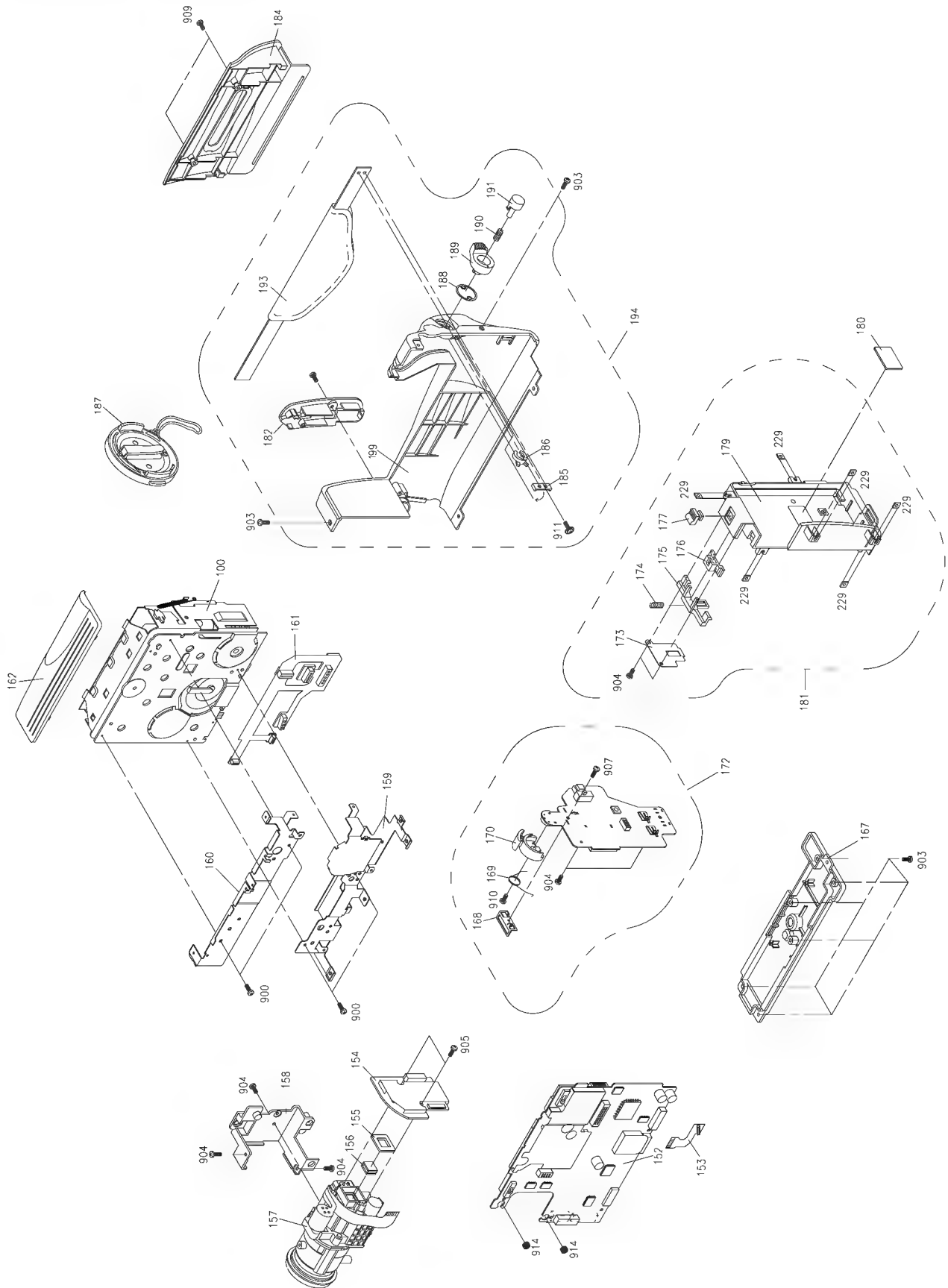
	Page
6-1 Cabinet Assembly (1) - - - - -	6-2
6-2 Cabinet Assembly (2) - - - - -	6-4
6-3 Mechanical Parts (1) - - - - -	6-6
6-4 Mechanical Parts (2) - - - - -	6-8
6-5 Mechanical Parts (3) - - - - -	6-10
6-6 EVF - - - - -	6-12

6-1 Cabinet Assembly (1)



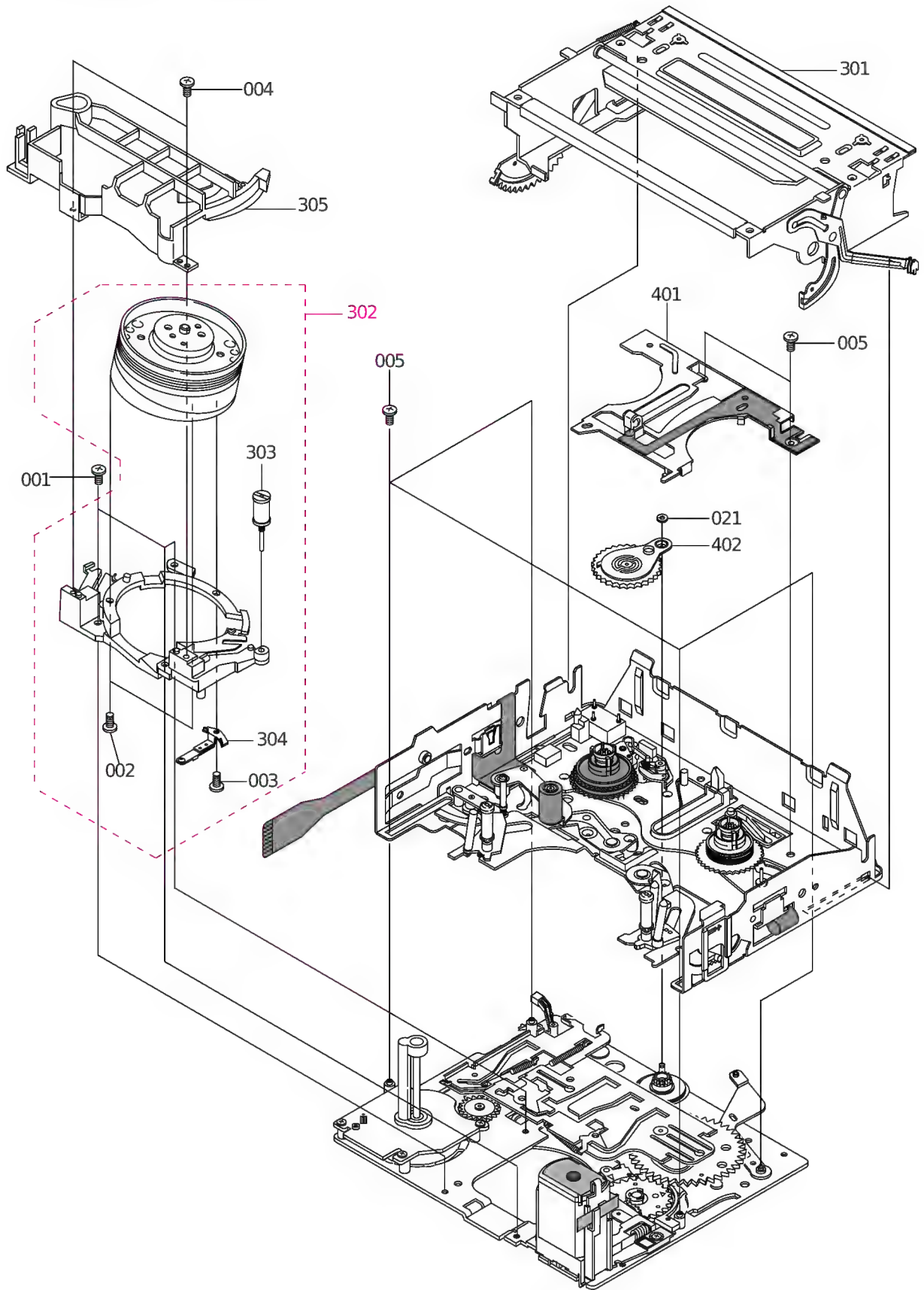
Loc. No	New Part No	Description and Specification	Remark
101	AD64-30905E	CASE-LEFT;-,ABS94,V0,BLACK,-,VP-L100,-,-	VPL100
101	AD64-30905F	CASE-LEFT;-,ABS94,V0,BLACK,-,SCL100,-,-	SCL100
101	AD64-30905H	CASE-LEFT;-,ABS94,V0,BLACK,-,SCL150,-,-	VPL150/SCL150
102	AD64-82001B	LEG-3INCH;-,ABS,-,T1.5,BLK,-,VP-L100	
104	AD64-10812A	KNOB-POWER;-,ABS,-,-,-,SV-S99	
105	AD64-10880A	KNOB-EJECT;-,ABS,HB,BLK,-,VP-L100	
106	AC61-42079A	STOPPER-POWER;ABS94HB,T1.0,-,RED,SV-H66,	
107	AD61-60601A	SPRING-KNOB POWER;SUS304 WPB	
108	AD61-21020A	HOLDER-POWER;,-,-,BLK,-,SV-S99	
109	AD64-10814E	KNOB-ROTARY;-,ABS94,HB,D/GRAY,-,VP-L100	
110	AD90-10828F	ASSY-FUNC VCR BOARD;VP-L10 S8C-PAL,3INCH	
111	AD61-21021A	HOLDER-ROTARY;,-,-,BLK,-,SV-S99	
112	AD90-10828D	ASSY-FUNCTION BOARD;VP-L10 S8C-PAL,3INCH	
113	AD39-20825N	LEAD CONNECTOR-ASSY;-,51021-05,51021-02,	
114	AC61-20223A	HOLDER-LOCK;SECC,T1.0,NAT,-,-,-	
115	AC61-60034A	SPRING-EJECT;CS,SUS 304,PI 0.25,D 3,L 9,	
116	AD61-21040A	HOLDER-EJECT;-,POM,-,BLK,-,SV-S99	
117	AD98-12016G	ASSY-UNIT LCD OFF;SV-S99,-	
118	AC62-12009A	INSULATION-SPEAKER;HIMERON,-,T0.3,W30,L3	
119	AD73-10039A	RUBBER-SPEAKER;SILICONE,-,SCL90,-	
120	AD59-90400A	SPEAKER-SYSTEM;28G13BSA,SCL90,SEA	
121	AD61-10999A	BRACKET-SPEAKER;-,SECC,SV-S99	
122	AD90-10828E	ASSY-FUNCTION BOARD;VP-L10 S8C-PAL,3INCH	
123	AD39-20826D	LEAD CONNECTOR-ASSY;TP,51021,51021,12P,8	
124	AD61-12024A	BRACKET-HINGE;-,SUS,SCL90	
125	AD61-12013A	BRACKET-GUIDE HINGE;-,SUS,SV-S99	
126	AD98-12025A	ASSY-LENS HOOD;VP-L100,-	
127	AD98-12025B	ASSY-CASE FRONT;VP-L100,-	VPL100
127	AD98-12025H	ASSY-CASE FRONT;SCL100,-	VPL150/SCL100
127	AD98-12025J	ASSY-CASE FRONT;SCL150,-	SCL150
129	AD98-12024P	ASSY-MIC;VP-A20,-	
130	AD90-10833K	ASSY-FRONT BOARD;VP-L100,NOR,MONO	VPL100/SCL100
130	AD90-10837Y	ASSY-FRONT BOARD;VP-L150,NOR,MONO	VPL150/SCL150
131	AD59-10539A	UNIT-CASE FRONT;VP-L100,-	VPL100
131	AD59-10539B	UNIT-CASE FRONT;SCL100,-	SCL100
131	AD59-10539C	UNIT-CASE FRONT;SCL150,-	SCL150
131	AD59-10539D	UNIT-CASE FRONT;VP-L150,-	VPL150
132	AD64-30903C	CASE-HINGE TOP;-,ABS,HB,BLACK,-,VP-L100,	
133	AD41-20302Y	FPC-LCD;POLYWIDE,T0.10,18P,VP-L100	
134	AD98-12003N	ASSY-HINGE;SV-S99,-	
135	AD64-30881E	CASE-HINGE BOTTOM;-,ABS94,HB,-,-,BLACK,-	
136	AD63-30537A	COVER-BRKT HINGE;-,ABS94HB,-,BLACK,-,SV-	
137	AD64-10816A	KNOB-LCD MIRROR;-,ABS,-,-,-,SV-S99	
138	AD61-60578A	SPRING-MIRROR;,-,-,SUS304,-,D0.25,-,SV-S9	
139	AD61-12035A	BRACKET-SUPP HINGE;-,SUS T1.0,SV-S99	
140	AD64-30901G	CASE-LCD TOP;-,ABS94,VO,-,-,L/GRAY,-,VP-	VPL100
140	AD64-30901K	CASE-LCD TOP;-,ABS94,VO,-,-,L/GRAY,-,VP-	VPL150
140	AD64-30901L	CASE-LCD TOP;-,ABS94,VO,-,-,L/GRAY,-,SCL	SCL150
140	AD64-30901M	CASE-LCD TOP;-,ABS94,VO,-,-,D/GRAY,-,SV-	SCL100
141	AD90-10828B	ASSY-LCD BOARD;VP-L100,PAL 3	VPL150/VPL100
141	AD90-10831J	ASSY-LCD BOARD;SC-L100/BASIC,NTSC 3	SCL150/SCL100
142	AD61-12022A	BRACKET-LCD;-,SUS,SCL90	
143	AD90-30205Z	ASSY-BL;SV-S90,3	
144	AD07-10032J	LCD-PANNEL;DP,COD30T3008T,SV-S99,3	
145	AD61-50687A	GUIDE-LCD OPEN;-,ABS,-,T1.5,BLK,-,SV-S99	
146	AD61-60569A	SPRING-LCD LOCK;,-,-,SUS304,-,D0.3,-,SV-S	
147	AD61-30183A	LOCKER-LCD OPEN;-,POM,-,BLK,-,SV-S99	
148	AD64-10815A	KNOB-LCD OPEN;-,ABS,-,-,-,SV-S99	
149	AD64-30902C	CASE-LCD BOTTOM;-,ABS94,VO,-,-,L/GRAY,-,	
902	AC60-10019A	SCREW-MACHINE;BH,+M2,X4,FZB,FE,UP,-,-	
903	AC60-10020A	SCREW-MACHINE;BH,+M2,X5,FZB,FE,UP,-,-	
904	AC60-10055A	SCREW-TAPPING;BH,+,-,M2,X4,FZB	
906	AC60-10073A	SCREW-TAPTITE;BH,+,-,M2,X6,ZP4,FE	

6-2 Cabinet Assembly (2)



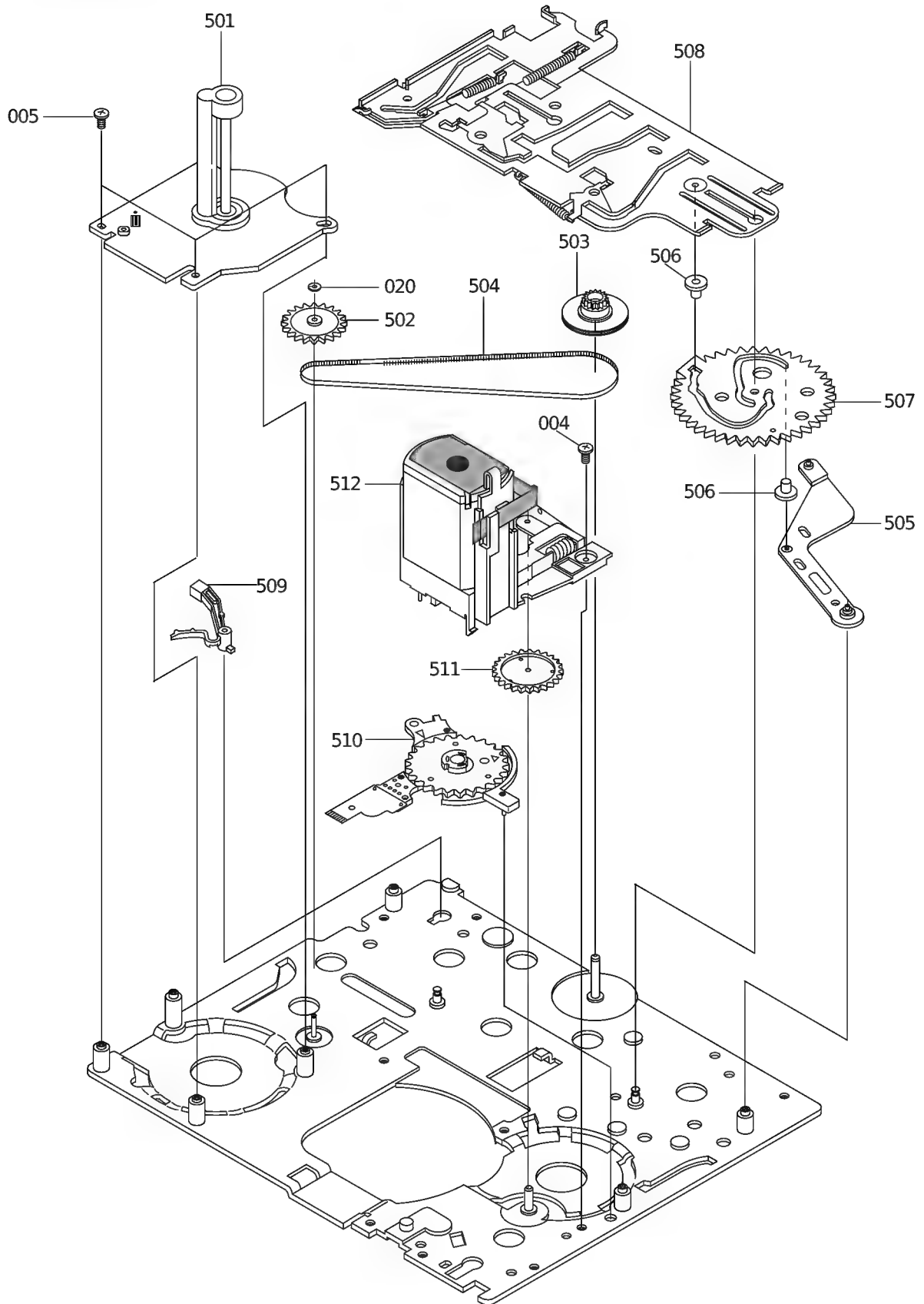
Loc. No	New Part No	Description and Specification	Remark
100	AD96-10473H	ASSY-8MM DECK;DE-6BNN,-	SCL100/150
100	AD96-10473L	ASSY-8MM DECK;DE-6BPN,-	VPL100/150
152	AD90-10824W	ASSY-MAIN BOARD;VP-L10/BASIC,PAL,NOR,MON	VPL100
152	AD90-10831L	ASSY-MAIN BOARD;SC-L100/BASIC,NTSC,NOR,M	SCL100
152	AD90-10838T	ASSY-MAIN BOARD;SC-L150/BASIC,NTSC,NOR,M	SCL150
152	AD90-10838U	ASSY-MAIN BOARD;VP-L150/BASIC,PAL,NOR,MO	VPL150
153	AD90-10808D	ASSY-FPC PRE-AMP;VP-A57/SEG,VCR-MAIN	
154	AD90-10828G	ASSY-CCD BOARD;VP-L10,S8C-PAL-CCD	VPL150/VPL100
154	AD90-10831H	ASSY-CCD BOARD;SC-L100/BASIC,NTSC 3	SCL150/SCL100
155	AC63-62007A	SPACER-CCD;SILICON,-,BLK,-,VP-K70,-	
156	AC29-92002D	FILTER-OLP;SV-3C01MM,KSS,-,-	
157	AD90-10827Z	ASSY-LENS ZOOM;VP-A20,SEC 16X ZOOM	
158	AD59-10443A	UNIT-FRAME LENS;SV-S99/DOM,-	
159	AD61-12015A	BRACKET-DECK BOTTOM;-,SUS,SV-S99	
160	AD61-12014A	BRACKET-DECK TOP;-,SUS,SV-S99	
161	AD41-20303A	FPC-DECK;POLYWIDE,T0.1,48P,VP-A20	
162	AD98-11254B	ASSY-CASE TOP;VP-L100,-	
167	AD64-30898C	CASE-BOTTOM;-,ABS,-,BLACK,-,CS97V-AN,-,-	
168	AD61-22014A	HOLDER-ZOOM;-,ABS94HB,T0.8,-,-,-	
169	AD61-60568A	SPRING-ZOOM;-,SUS304,-,D0.55,-,SV-S99	
170	AD64-10806A	KNOB-ZOOM;-,ABS,-,-,-,SV-S99	
172	AD90-10828M	ASSY-REAR BOARD;VP-L10/BASIC,PAL,NOR,MON	
173	AD61-11065A	BRACKET-BATT. EJECT;-,STS301,-,T0.5,-,-,-	
174	AD61-60623A	SPRING-BATTERY;-,SUS304,PI3.2,8.3,-,VP	
175	AD61-30182A	LOCKER-BATTERY EJECT;-,POM,-,BLK,-,SV-S9	
176	AD61-21014A	HOLDER-BATTERY EJECT;-,ABS94HB,-,BLK,-,S	
177	AD64-10802A	KNOB-BATTERY;-,ABS,-,-,-,SV-S99	
179	AD64-30904B	CASE-BATTERY;-,ABS94,HB,-,-,BLK,-,VP-L10	
180	AD64-60831A	INLAY-BATTERY;-,PVC,T0.3,-,BLK,-,SV-S99	
181	AD98-12025C	ASSY-CASE REAR;VP-L100,-	
182	AD61-21132A	CAP-A/V JACK;-,ABS 94,HB,BLK,-,VP-L100	
184	AD98-11254D	ASSY-COVER HOUSING;VP-L100,-	
185	AC61-20251A	HOLDER-GRIP;PBT,-,BLK,-,VP-K70,-	
186	AD61-40379A	STOPPER-START/STOP;-,ABS,-,-,-,SV-S99	
187	AD59-10328A	UNIT-CAP HOOD;VP-K80,-	
190	AC61-60068A	SPRING-BUTTON;CS,STS304 WPB,P0.2,D4,L7,-	
189	AD64-10804A	KNOB-START/STOP;-,ABS,-,-,-,SV-S99	
188	AD61-60533A	SPRING-REC STOP;-,STS,T0.2,-,-,VP-A57	
191	AD64-10805A	BUTTON-START/STOP;-,ABS94HB,-,RED,-,SV-S	
193	AC63-10007A	GRIP-BELT ASSY;LEATHER,BLK,T1.5,-,SV-H66	
194	AD98-11254F	ASSY-RIGHT;VP-L100,-	
199	AD64-30875H	CASE-RIGHT;-,ABS94,HB,D/GRAY,-,VP-L100,-	
229	AC61-32047A	PLATE-NUT;SECC,T0.8,-,-,SV-V40	
900	AC60-10028A	SCREW-MACHINE;BH,+,M1.7,X3,ZPC,FE,-,-,-	
903	AC60-10020A	SCREW-MACHINE;BH,+,M2,X5,FZB,FE,UP,-,-	
904	AC60-10055A	SCREW-TAPPING;BH,+,M2,X4,FZB	
905	AC60-10054A	SCREW-TAPPING;BH,+,M2,X6,FZB	
907	AC60-10024A	SCREW-MACHINE;BH,+,M2,X3,FZW,FE,-,-,-	
909	AC60-10029A	SCREW-MACHINE;BH,+,M1.7,X5.5,ZPC2,FE,-,-	
910	AD60-10510A	SCREW-MACHINE;-,PLAN,+,M1.4X5.5,BLK,FE	
911	AD60-10509A	SCREW-TAP TITE;-,PWH,+,M2X5.5,-	
914	AC64-10176A	KNOB-RUBBER-LENS;NR,-,BLK,-,VP-K70,-	

6-3 Mechanical Parts (1)



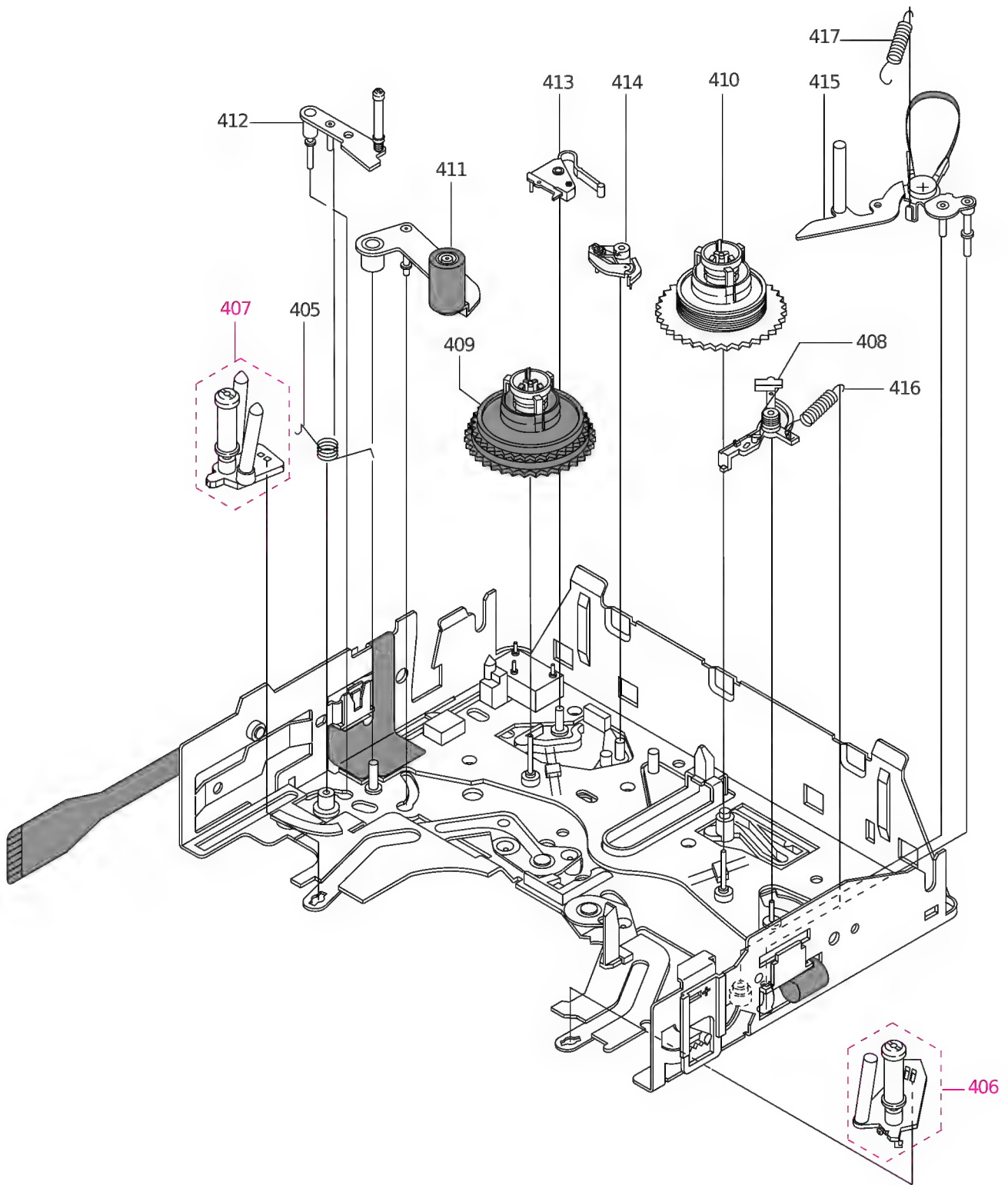
Loc. No	New Part No	Description and Specification	Remark
001	AC60-12083A	SCREW-MACHINE;B,BH,-,M1.7,L5,FE,WHT,-,-	
002	AD60-10500E	SCREW-MACHINE;- ,BWSH,+ ,UP,M2,L5,ZPCNYLOK	
003	AD60-10500D	SCREW-MACHINE;- ,BWSH,+ ,UP,M2,L7,ZPCNYLOK	
004	AC60-10017A	SCREW-MACHINE;BH,+ ,M1.7,X3.5,FEFZY,SWCH1	
005	AC60-12112A	SCREW-BH;- ,BH,+ ,M1.4,L2,-	
021	AC60-30015A	WASHER-SLIT;ID 1.1,OD 2.6,T 0.4,POLYSLID	
301	AD96-10473P	ASSY-HOUSING;DE-6B,-	
302	AD96-10471X	ASSY-DRUM ;DE-6A,PN-SS	VPL100/VPL150
302	AD96-10472F	ASSY-DRUM ;DE-6A,NN-SS	SCL100/SCL150
303	AD66-40153A	ROLLER-IMP ASS'Y;- ,YF-10,OD7,- ,DE-6	
304	AC61-72009A	CONTACT-EARTH BRUSH;SECC/PBSP/CR/C,-,-,-	
305	AC63-32091A	COVER-DRUM ;DURACON(M90-44),-,-,-,-,DE-	
401	AC63-30009A	COVER-REEL ASSY;ABS 95,HB,-,-,-,-,DE-6,-	
402	AC66-12035A	IDLER-ASSY;-,-,DE-6	

6-5 Mechanical Parts (2)



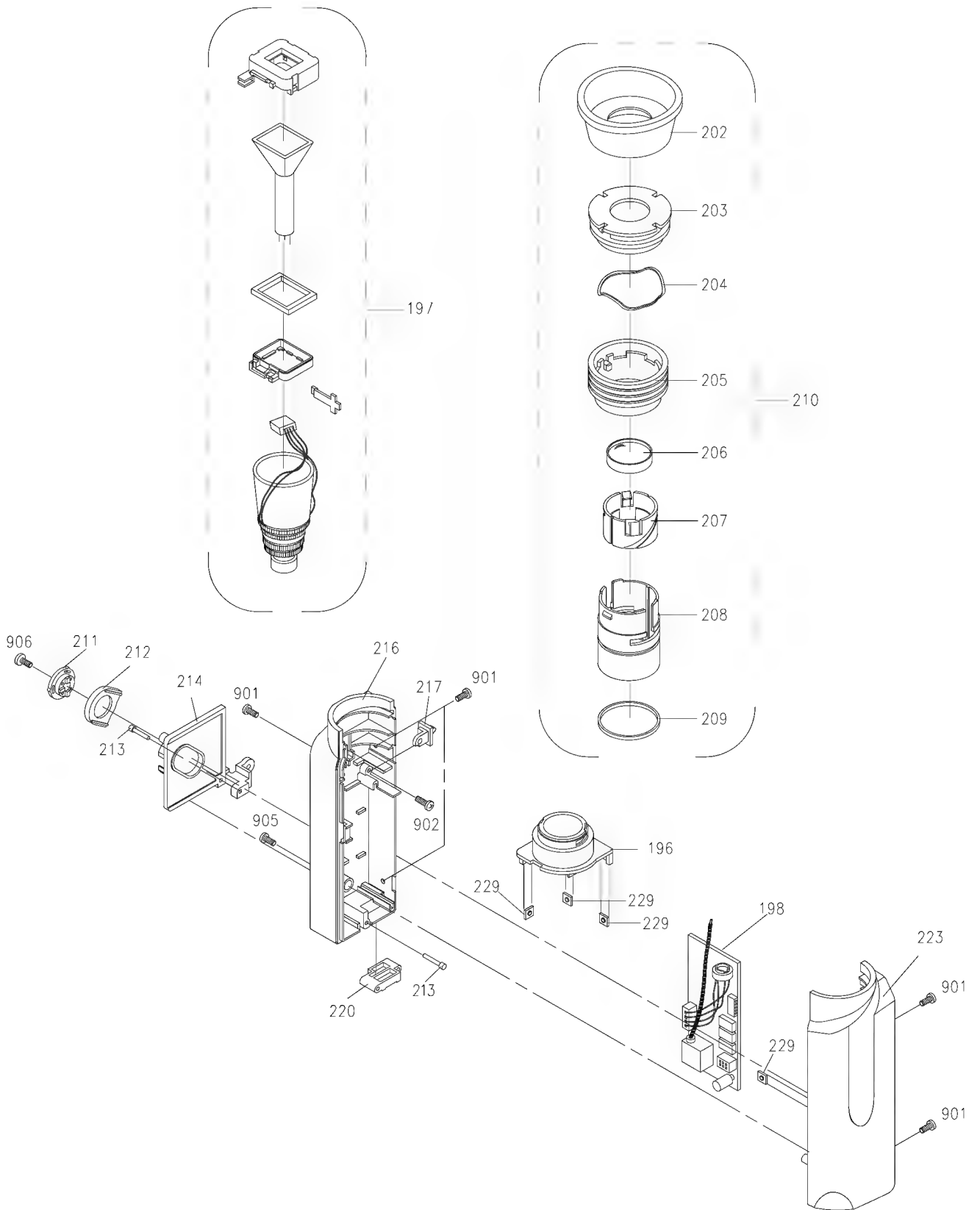
Loc. No	New Part No	Description and Specification	Reamrk
004	AC60-10017A	SCREW-MACHINE;BH,+M 1.7,X3.5,FEFZY,SWCH1	
005	AC60-12112A	SCREW-BH;-BH,+M 1.4,L2,-	
020	AC60-30017A	WASHER-SLIT;ID 1,OD 2.6,T 0.4,POLYSLIDER	
501	AD31-12010A	MOTOR-CAPSTAN;DE-6B SHS,-,-	
502	AC66-22123A	GEAR-CAPSTAN(ASSY);-,-,-,-,DE-6	
503	AC66-22124A	GEAR-PULLEY(ASSY);-,-,-,-,DE-6	
504	AC66-62001A	BELT-TIMMING;POLYURETHAN,L137 T0.4,-,-,-	
505	AC66-32197A	LEVER-CAM;SUS430-CP,T0.6,-,-,DE-6,-	
506	AC66-42005A	ROLLER-CAM MAIN;SUS303,-,-,PI3.5X1.1	
507	AC66-22092A	GEAR-CAM MAIN;SUS304-CSP,M0.5,Z64,-,-,-	
508	AC66-82055A	SLIDER-MAIN(ASSY);-,-,-,-,DE-6	
509	AC66-32198A	LEVER-EJECT;DURANEX #3300,-,-,-,DE-6,-	
510	AC34-22001C	SWITCH-MODE ASSY;HM W0484-01WA,DE-6,-,-,-	
511	AC66-22126A	GEAR-LOADING;DURACON(99-44),M0.4,Z37 WO,	
512	AC31-12001P	MOTOR-LOADING ASSY;DE-6,-,-	

6-6 Mechanical Parts (3)



Loc. No	New Part No	Description and Specification	Remark
405	AD61-60622A	SPRING-REVIEW ARM;PS SUS304-WPB PI0.3	
406	AC61-52014A	POLE-BASE S(ASSY);ZDC2/SUS303,-,-,-,DE	
407	AC61-52015A	POLE-BASE T(ASSY);ZDC2/SUS303,-,-,-,DE	
408	AC66-32221A	BRAKE-SUB S(ASSY);-,-,-,DE-6,-	
409	AC66-12042A	REEL-T(ASSY);-,-,-,DE-6	
410	AC66-12041A	REEL-S(ASSY);-,-,-,DE-6	
411	AC66-32217A	ARM-PINCH ROLLER(ASS;-,-,-,DE-6	
412	AC66-32213A	ARM-REVIEW ASSY;-,-,-,DE-6	
413	AC66-32223A	BRAKE-MAIN(T);DURACON(M 904-44),-,-,-,-	
414	AC66-30120A	BRAKE-SOFT T (ASSY);-,-,-,DE-6,-	
415	AC66-30093A	ARM-TENSION (ASSY);SUS304-CSP POM FELT,-	
416	AC61-62022A	SPRING-SOFT BRAKE(S);-,SUS304,-,-,-,-	
417	AC61-62023A	SPRING-TENSION;-,-,SUS304-WPB,-,-,-,-	

6-6 EVF



Loc. No	New Part No	Description and Specification	Remark
196	AD61-40382A	SUPPORT-EVF;-ABS94,HB,-,BLK,-,SV-S99	
197	AD90-10818H	ASSY-CRT;VP-L90,-	
198	AD90-10810Q	ASSY-EVF BOARD;VP-L90,PAL	VPL150/VPL100
198	AD90-10810R	ASSY-EVF BOARD;SCL90,NTSC	SCL150/SCL100
202	AD73-10027A	RUBBER-EYE CUP;SILICONE,-,SV-S99,-	
203	AD61-21022A	HOLDER-EYE CUP;-,-,BLK,-,SV-S99	
204	AC61-60094A	SPRING-PLATE R/EVF;PS,STS301 3/4H,T0.4,D	
205	AD60-40650A	RING-EVF;-ID32.8,OD36,T1.6,-,ABS94HB	
206	AD67-10196A	LENS EVF;PMMA CLR	
207	AC61-20179A	HOLDER-LENS;ABS 94,HB,BLK,-,VP-K70,-	
208	AD61-50688A	GUIDE-LENS;-ABS,-,T1.5,BLK,-,SV-S99	
209	AD73-10030A	RUBBER-RING EVF;SILICONE,-,SV-S99,-	
210	AD98-11223F	ASSY-RING EVF;SV-S99,-	
211	AD61-70084A	RAIL-CASE EVF A;-POM,-,BLK,-,SV-S99	
212	AD61-50711A	GUIDE-CASE EVF B;-ABS,-,T1.5,BLK,-,SCL9	
213	AD60-40654A	PIN-CASE EVF A;-PI1.5,-,SV-S99,STS304	
214	AD61-21052B	HOLDER-CASE EVF B;-ABS94HB,-,BLK,-,CS97	
216	AD98-12026D	ASS'Y CASE-EVF RIGHT	VPL150/VPL100
216	AD98-12026E	ASS'Y CASE-EVF RIGHT	SCL150/SCL100
217	AD61-30192A	LOCKER-CASE-EVF A;-POM,-,BLK,-,SV-S99	
220	AD66-80147A	LINK-CASE EVF B;-ABS 94,HB,-,SCL90	
223	AD64-30899D	CASE-EVF LEFT;-ABS94V0,-,BLACK,-,VP-L10	
229	AC61-32047A	PLATE-NUT;SECC,T0.8,-,SV-V40	
901	AC60-10018A	SCREW-MACHINE;BH,+,M2,X3,FZB,FE,UP,-,-	
902	AC60-10019A	SCREW-MACHINE;BH,+,M2,X4,FZB,FE,UP,-,-	
905	AC60-10054A	SCREW-TAPPING;BH,+,-,M2,X6,FZB	
906	AC60-10073A	SCREW-TAPTITE;BH,+,-,M2,X6,ZP4,FE	

MEMO

Electrical Parts List

Loc.No	Part No	Desc & Spec	Remark	Loc.No	Part No	Desc & Spec	Remark
CP40	2203-001556	C-CERAMIC,CHIP:100nF,+80-20%,25V,Y5V,TP,		CS23	2203-001559	C-CERAMIC,CHIP:100pF,5%,50V,NPO,TP,1608,	EIS only
CP41	2203-001556	C-CERAMIC,CHIP:100nF,+80-20%,25V,Y5V,TP,		CS24	2203-001556	C-CERAMIC,CHIP:100nF,+80-20%,25V,Y5V,TP,	EIS only
CP42	2404-000139	C-TA,CHIP:10uF,20%,6.3V,-,3216,-,TP		CZ01	2404-000139	C-TA,CHIP:10uF,20%,6.3V,-,3216,-,TP	D.ZOOM
CP43	2203-000257	C-CERAMIC,CHIP:10nF,10%,50V,X7R,1608,-,T		CZ03	2404-000198	C-TA,CHIP:22uF,20%,6.3V,-,TP,3528,-	D.ZOOM
CP44	2203-001556	C-CERAMIC,CHIP:100nF,+80-20%,25V,Y5V,TP,		CZ06	2203-001556	C-CERAMIC,CHIP:100nF,+80-20%,25V,Y5V,TP,	D.ZOOM
CP46	2203-000257	C-CERAMIC,CHIP:10nF,10%,50V,X7R,1608,-,T		CZ07	2203-001556	C-CERAMIC,CHIP:100nF,+80-20%,25V,Y5V,TP,	D.ZOOM
CP47	2404-000198	C-TA,CHIP:22uF,20%,6.3V,-,TP,3528,-		CZ08	2203-001556	C-CERAMIC,CHIP:100nF,+80-20%,25V,Y5V,TP,	D.ZOOM
CP48	2203-000357	C-CERAMIC,CHIP:150pF,5%,50V,NPO,TP,1608,		DP01	0401-000171	DIODE-SWITCHING;MA1111,80V,100mA,-,3nS,SM	
CP49	2203-000257	C-CERAMIC,CHIP:10nF,10%,50V,X7R,1608,-,T		DP02	0405-000151	DIODE-VARACTOR;1T379,30V,10nA,USM,D,TP	
CP50	2203-001402	C-CERAMIC,CHIP:220nF,+80-20%,16V		DP03	0405-000143	DIODE-VARACTOR;MA341,30V,10nA,MINI-2,TP	
CP51	2203-001556	C-CERAMIC,CHIP:100nF,+80-20%,25V,Y5V,TP,		DP05	0401-000171	DIODE-SWITCHING;MA1111,80V,100mA,-,3nS,SM	
CP52	2203-001556	C-CERAMIC,CHIP:100nF,+80-20%,25V,Y5V,TP,		DP10	0401-000171	DIODE-SWITCHING;MA1111,80V,100mA,-,3nS,SM	
CP53	2404-000139	C-TA,CHIP:10uF,20%,6.3V,-,3216,-,TP		DP11	0401-000171	DIODE-SWITCHING;MA1111,80V,100mA,-,3nS,SM	
CP54	2203-001634	C-CERAMIC,CHIP:33nF,10%,50V,X7R,TP,1608,		ICP01	AD14-10001L	IC-LOGIC;KS7213,QFP,80P	
CP55	2203-001402	C-CERAMIC,CHIP:220nF,+80-20%,16V		ICP02	1003-001065	IC-CLOCK DRIVER;KS7221D,SOP,20P,225MIL,Q	
CP56	2203-001556	C-CERAMIC,CHIP:100nF,+80-20%,25V,Y5V,TP,		ICP03	1002-001060	IC-A/D CONVERTER;TDA8786A,10BIT,QFP,48P,	
CP57	2203-001556	C-CERAMIC,CHIP:100nF,+80-20%,25V,Y5V,TP,		ICP04	AD14-10001X	IC-LOGIC;KS7306C,QFP,100P,REV	
CP58	2404-000190	C-TA,CHIP:22uF,20%,16V,-,5832,-,TP		ICP05	AD09-12002J	IC-MICOM;UPD784035GC-820-8BT,QFP,80P	
CP59	2203-001556	C-CERAMIC,CHIP:100nF,+80-20%,25V,Y5V,TP,		ICP06	1201-000246	IC-OP AMP;3414,SOP,8P,173MIL,DUAL,-,PLAS	
CP60	2404-000139	C-TA,CHIP:10uF,20%,6.3V,-,3216,-,TP		ICP07	1201-000200	IC-OP AMP;3414,SOP,8P,173MIL,DUAL,-,PLAS	
CP61	2203-000257	C-CERAMIC,CHIP:10nF,10%,50V,X7R,1608,-,T		ICP08	AC14-12008D	IC-LOGIC;MPC17A852VM,SC111315,SOP,TAPE	
CP62	2203-000257	C-CERAMIC,CHIP:10nF,10%,50V,X7R,1608,-,T		ICP09	AC14-12008D	IC-LOGIC;MPC17A852VM,SC111315,SOP,TAPE	
CP63	2203-000257	C-CERAMIC,CHIP:10nF,10%,50V,X7R,1608,-,T		ICP10	AC11-12001G	IC-EEPROM;AT74C02N-10SC,QFP,-	
CP64	2203-000715	C-CERAMIC,CHIP:3.3nF,10%,50V,X7R,TP,1608		ICP11	AD14-10001H	IC-REGULATOR;TPS7233Q-PWLE,SSOP,8P	
CP65	2203-000715	C-CERAMIC,CHIP:3.3nF,10%,50V,X7R,TP,1608		ICP12	0801-000301	IC-CMOS LOGIC;7W04,INVERTER,SOP,8P,150MI	
CP66	2203-000715	C-CERAMIC,CHIP:3.3nF,10%,50V,X7R,TP,1608		ICS01	AC14-12007X	IC-LOGIC;TC4566F,SSOP-5.5P	EIS only
CP67	2203-001556	C-CERAMIC,CHIP:100nF,+80-20%,25V,Y5V,TP,		ICS02	1201-000200	IC-OP AMP;3403,SOP,8P,173MIL,DUAL,-,PLAS	EIS only
CP68	2203-001556	C-CERAMIC,CHIP:100nF,+80-20%,25V,Y5V,TP,		ICS03	AC14-12007X	IC-LOGIC;TC4566F,SSOP-5.5P	EIS only
CP69	2203-000257	C-CERAMIC,CHIP:10nF,10%,50V,X7R,1608,-,T		ICS04	1201-000246	IC-OP AMP;3403,SOP,14P,173MIL,QUAD,20V/m	EIS only
CP70	2203-000257	C-CERAMIC,CHIP:10nF,10%,50V,X7R,1608,-,T		ICZ01	AD14-10001N	IC-LOGIC;KS7314X,QFP,80P	D.ZOOM
CP71	2203-000257	C-CERAMIC,CHIP:10nF,10%,50V,X7R,1608,-,T		LP01	2703-000403	INDUCTOR-SMD;22uH,10%,3.2x2.5x2.2mm	
CP72	2203-000715	C-CERAMIC,CHIP:3.3nF,10%,50V,X7R,TP,1608		LP03	2703-000397	INDUCTOR-SMD;33uH,10%,2.5x2x1.8mm	
CP73	2203-000715	C-CERAMIC,CHIP:3.3nF,10%,50V,X7R,TP,1608		LP04	2703-000403	INDUCTOR-SMD;22uH,10%,3.2x2.5x2.2mm	
CP74	2203-000715	C-CERAMIC,CHIP:3.3nF,10%,50V,X7R,TP,1608		LP05	2703-000397	INDUCTOR-SMD;33uH,10%,2.5x2x1.8mm	
CP75	2203-001556	C-CERAMIC,CHIP:100nF,+80-20%,25V,Y5V,TP,		LP06	2703-000397	INDUCTOR-SMD;33uH,10%,2.5x2x1.8mm	
CP76	2203-001556	C-CERAMIC,CHIP:100nF,+80-20%,25V,Y5V,TP,		LP07	2703-000397	INDUCTOR-SMD;33uH,10%,2.5x2x1.8mm	
CP78	2404-000212	C-TA,CHIP:3.3uF,20%,25V,-,3528,-,TP		LP08	2703-000397	INDUCTOR-SMD;33uH,10%,2.5x2x1.8mm	
CP80	2404-000153	C-TA,CHIP:1uF,20%,20V,-,3216,-,TP		LP09	2703-000403	INDUCTOR-SMD;22uH,10%,3.2x2.5x2.2mm	
CP81	2404-000139	C-TA,CHIP:10uF,20%,6.3V,-,3216,-,TP		LP10	2703-000397	INDUCTOR-SMD;33uH,10%,2.5x2x1.8mm	
CP82	2203-000477	C-CERAMIC,CHIP:1uF,+80-20%,16V,Y5V,TP,20		LP11	2703-000397	INDUCTOR-SMD;33uH,10%,2.5x2x1.8mm	
CP84	2203-001556	C-CERAMIC,CHIP:100nF,+80-20%,25V,Y5V,TP,		LP15	2703-000397	INDUCTOR-SMD;33uH,10%,3.5x2x1.8mm	
CP85	2203-001556	C-CERAMIC,CHIP:100nF,+80-20%,25V,Y5V,TP,		LZ01	2703-000397	INDUCTOR-SMD;33uH,10%,2.5x2x1.8mm	D.ZOOM
CP86	2203-001556	C-CERAMIC,CHIP:100nF,+80-20%,25V,Y5V,TP,		LZ02	2703-000397	INDUCTOR-SMD;33uH,10%,2.5x2x1.8mm	D.ZOOM
CP87	2203-001567	C-CERAMIC,CHIP:10pF,0.5pF,50V,CH,1608,1.		QP01	0501-000162	TR-SMALL SIGNAL;2SA1576,PNP,200mW,SC-70,	
CP88	2203-000384	C-CERAMIC,CHIP:15pF,5%,50V,NPO,TP,1608,-	EIS only	QP02	0501-000162	TR-SMALL SIGNAL;2SA1576,PNP,200mW,SC-70,	
CP89	2203-001556	C-CERAMIC,CHIP:100nF,+80-20%,25V,Y5V,TP,	EIS only	QP03	0501-000596	TR-SMALL SIGNAL;2SB970R,PNP,200mW,SOT-23	
CP90	2203-001556	C-CERAMIC,CHIP:100nF,+80-20%,25V,Y5V,TP,	EIS only	QP05	0506-000151	TR-ARRAY;UMZIN,NPN/PNP,1.5V,40V,100MA,	
CP93	2203-001556	C-CERAMIC,CHIP:100nF,+80-20%,25V,Y5V,TP,	EIS only	QP06	0504-000113	TR-DIGITAL;DTC144EUA,NPN,200mW,47K-47K,S	
CP95	2203-001556	C-CERAMIC,CHIP:100nF,+80-20%,25V,Y5V,TP,	EIS only	QP07	0504-000113	TR-DIGITAL;DTC144EUA,NPN,200mW,47K-47K,S	
CP97	2203-001556	C-CERAMIC,CHIP:100nF,+80-20%,25V,Y5V,TP,	EIS only	RP01	2007-000072	R-CHIP;47ohm,5%,1/16W,DA,TP,1608	
CP98	2203-001556	C-CERAMIC,CHIP:100nF,+80-20%,25V,Y5V,TP,	EIS only	RP02	2007-000090	R-CHIP;10Kohm,5%,1/16W,DA,TP,1608	
CS01	2404-000139	C-TA,CHIP:10uF,20%,6.3V,-,3216,-,TP	EIS only	RP03	2007-000109	R-CHIP;1M ohm,5%,1/16W,DA,TP,1608	
CS02	2203-001556	C-CERAMIC,CHIP:100nF,+80-20%,25V,Y5V,TP,	EIS only	RP05	2007-000070	R-CHIP;0ohm,5%,1/16W,DA,TP,1608	
CS03	2203-001556	C-CERAMIC,CHIP:100nF,+80-20%,25V,Y5V,TP,	EIS only	RP06	2007-000070	R-CHIP;0ohm,5%,1/16W,DA,TP,1608	
CS04	2404-000139	C-TA,CHIP:10uF,20%,6.3V,-,3216,-,TP	EIS only	RP08	2007-000122	R-CHIP;1.2Kohm,5%,1/16W,DA,TP,1608	
CS05	2203-001556	C-CERAMIC,CHIP:100nF,+80-20%,25V,Y5V,TP,	EIS only	RP10	2007-000098	R-CHIP;56Kohm,5%,1/16W,DA,TP,1608	
CS06	2203-001556	C-CERAMIC,CHIP:100nF,+80-20%,25V,Y5V,TP,	EIS only	RP101	2007-000070	R-CHIP;0ohm,5%,1/16W,DA,TP,1608	
CS07	2203-001402	C-CERAMIC,CHIP:220nF,+80-20%,16V	EIS only	RP11	2007-000250	R-CHIP;1.5Mohm,5%,1/16W,DA,TP,1608	
CS08	2203-000054	C-CERAMIC,CHIP:15nF,0.1.50V,X7R,TP,1608,	EIS only	RP12	2007-000074	R-CHIP;100ohm,5%,1/16W,DA,TP,1608	
CS09	2404-001039	C-TA,CHIP:47uF,20%,6.3V,GP,TP,3528,-	EIS only	RP13	2007-000074	R-CHIP;100ohm,5%,1/16W,DA,TP,1608	
CS10	2404-001039	C-TA,CHIP:47uF,20%,6.3V,GP,TP,3528,-	EIS only	RP14	2007-000074	R-CHIP;100ohm,5%,1/16W,DA,TP,1608	
CS11	2203-001630	C-CERAMIC,CHIP:330nF,+80-20%,16V	EIS only	RP15	2007-000077	R-CHIP;470ohm,5%,1/16W,DA,TP,1608	
CS12	2203-001559	C-CERAMIC,CHIP:100pF,5%,50V,NPO,TP,1608,	EIS only	RP16	2007-000077	R-CHIP;470ohm,5%,1/16W,DA,TP,1608	
CS13	2404-000139	C-TA,CHIP:10uF,20%,6.3V,-,3216,-,TP	EIS only	RP17	2007-000077	R-CHIP;470ohm,5%,1/16W,DA,TP,1608	
CS14	2203-001556	C-CERAMIC,CHIP:100nF,+80-20%,25V,Y5V,TP,	EIS only	RP18	2007-000077	R-CHIP;470ohm,5%,1/16W,DA,TP,1608	
CS15	2203-001556	C-CERAMIC,CHIP:100nF,+80-20%,25V,Y5V,TP,	EIS only	RP19	2007-000077	R-CHIP;470ohm,5%,1/16W,DA,TP,1608	
CS16	2404-000139	C-TA,CHIP:10uF,20%,6.3V,-,3216,-,TP	EIS only	RP20	2007-000077	R-CHIP;470ohm,5%,1/16W,DA,TP,1608	
CS17	2203-001556	C-CERAMIC,CHIP:100nF,+80-20%,25V,Y5V,TP,	EIS only	RP21	2007-000102	R-CHIP;100Kohm,5%,1/16W,DA,TP,1608	
CS18	2203-001556	C-CERAMIC,CHIP:100nF,+80-20%,25V,Y5V,TP,	EIS only	RP22	2007-000134	R-CHIP;33Kohm,5%,1/16W,DA,TP,1608	
CS19	2203-001402	C-CERAMIC,CHIP:220nF,+80-20%,16V	EIS only	RP23	2007-000458	R-CHIP;18Kohm,5%,1/16W,DA,TP,1608	
CS20	2404-001039	C-TA,CHIP:47uF,20%,6.3V,GP,TP,3528,-	EIS only	RP24	2007-000078	R-CHIP;1Kohm,5%,1/16W,DA,TP,1608	
CS21	2404-001039	C-TA,CHIP:47uF,20%,6.3V,GP,TP,3528,-	EIS only	RP25	2007-000078	R-CHIP;1Kohm,5%,1/16W,DA,TP,1608	
CS22	2203-001630	C-CERAMIC,CHIP:330nF,+80-20%,16V	EIS only	RP26	2007-000078	R-CHIP;1Kohm,5%,1/16W,DA,TP,1608	

Loc.No	Part No	Desc & Spec	Remark	Loc.No	Part No	Desc & Spec	Remark
RP27	2007-000102	R-CHIP:100Kohm,5%, 1/16W,DA,TP,1608		RS15	2007-000094	R-CHIP:22Kohm,5%, 1/16W,DA,TP,1608	EIS only
RP28	2007-000102	R-CHIP:100Kohm,5%, 1/16W,DA,TP,1608		RS16	2007-000086	R-CHIP:5.6Kohm,5%, 1/16W,DA,TP,1608	EIS only
RP29	2007-000102	R-CHIP:100Kohm,5%, 1/16W,DA,TP,1608		RS17	2007-000109	R-CHIP:1M ohm,5%, 1/16W,DA,TP,1608	EIS only
RP30	2007-000102	R-CHIP:100Kohm,5%, 1/16W,DA,TP,1608		RS18	2007-000109	R-CHIP:1M ohm,5%, 1/16W,DA,TP,1608	EIS only
RP31	2007-000402	R-CHIP:150ohm,5%, 1/16W,DA,TP,1608		RS19	2007-000090	R-CHIP:10Kohm,5%, 1/16W,DA,TP,1608	EIS only
RP32	2007-000124	R-CHIP:2.2Kohm,5%, 1/16W,DA,TP,1608		RS20	2007-000092	R-CHIP:15Kohm,5%, 1/16W,DA,TP,1608	EIS only
RP33	2007-000450	R-CHIP:180ohm,5%, 1/16W,DA,TP,1608		RS21	2007-001026	R-CHIP:560Kohm,5%, 1/16W,DA,TP,1608	EIS only
RP34	2007-000402	R-CHIP:150ohm,5%, 1/16W,DA,TP,1608		RS22	2007-000097	R-CHIP:47Kohm,5%, 1/16W,DA,TP,1608	EIS only
RP35	2007-000091	R-CHIP:12Kohm,5%, 1/16W,DA,TP,1608		RZ01	2007-000070	R-CHIP:0ohm,5%, 1/16W,DA,TP,1608	D.ZOOM
RP36	2007-000124	R-CHIP:2.2Kohm,5%, 1/16W,DA,TP,1608		XP01	2801-001428	CRYSTAL-SMD:28.375M Hz,30ppm,28-ABL,7pf,6	
RP37	2007-000828	R-CHIP:39Kohm,1%, 1/16W,DA,TP,1608		XP02	2801-003347	CRYSTAL-UNIT:17.734475M Hz,20ppm,28-ABN,8	
RP38	2007-000102	R-CHIP:100Kohm,5%, 1/16W,DA,TP,1608		XP03	2801-003491	CRYSTAL-UNIT:32MHz,50ppm,28-ABL,9.2pf,60	
RP39	2007-000078	R-CHIP:1Kohm,5%, 1/16W,DA,TP,1608					
RP40	2007-000102	R-CHIP:100Kohm,5%, 1/16W,DA,TP,1608					
RP41	2007-000102	R-CHIP:100Kohm,5%, 1/16W,DA,TP,1608					
RP42	2007-000512	R-CHIP:2.4Kohm,5%, 1/16W,DA,TP,1608					
RP43	2007-000104	R-CHIP:150Kohm,5%, 1/16W,DA,TP,1608					
RP44	2007-000094	R-CHIP:22Kohm,5%, 1/16W,DA,TP,1608					
RP45	2007-000125	R-CHIP:3.9Kohm,5%, 1/16W,DA,TP,1608					
RP46	2007-000125	R-CHIP:3.9Kohm,5%, 1/16W,DA,TP,1608					
RP47	2007-000104	R-CHIP:150Kohm,5%, 1/16W,DA,TP,1608					
RP48	2007-000134	R-CHIP:33Kohm,5%, 1/16W,DA,TP,1608					
RP49	2007-000102	R-CHIP:100Kohm,5%, 1/16W,DA,TP,1608					
RP50	2007-000134	R-CHIP:33Kohm,5%, 1/16W,DA,TP,1608					
RP51	2007-000090	R-CHIP:10Kohm,5%, 1/16W,DA,TP,1608					
RP53	2007-000075	R-CHIP:220ohm,5%, 1/16W,DA,TP,1608					
RP54	2007-000078	R-CHIP:1Kohm,5%, 1/16W,DA,TP,1608					
RP55	2007-000637	R-CHIP:270Kohm,5%, 1/16W,DA,TP,1608					
RP56	2007-000094	R-CHIP:22Kohm,5%, 1/16W,DA,TP,1608					
RP57	2007-000078	R-CHIP:1Kohm,5%, 1/16W,DA,TP,1608					
RP58	2007-000102	R-CHIP:100Kohm,5%, 1/16W,DA,TP,1608					
RP59	2007-000102	R-CHIP:100Kohm,5%, 1/16W,DA,TP,1608					
RP65	2007-000097	R-CHIP:47Kohm,5%, 1/16W,DA,TP,1608					
RP66	2007-000100	R-CHIP:68Kohm,5%, 1/16W,DA,TP,1608					
RP67	2007-000102	R-CHIP:100Kohm,5%, 1/16W,DA,TP,1608					
RP68	2007-000863	R-CHIP:4.3ohm,5%, 1/10W,DA,TP,2012					
RP69	2007-000100	R-CHIP:68Kohm,5%, 1/16W,DA,TP,1608					
RP70	2007-000100	R-CHIP:68Kohm,5%, 1/16W,DA,TP,1608					
RP71	2007-000863	R-CHIP:4.3ohm,5%, 1/10W,DA,TP,2012					
RP72	2007-000102	R-CHIP:100Kohm,5%, 1/16W,DA,TP,1608					
RP73	2007-000863	R-CHIP:4.3ohm,5%, 1/10W,DA,TP,2012					
RP74	2007-000100	R-CHIP:68Kohm,5%, 1/16W,DA,TP,1608					
RP75	2007-000100	R-CHIP:68Kohm,5%, 1/16W,DA,TP,1608					
RP76	2007-000863	R-CHIP:4.3ohm,5%, 1/10W,DA,TP,2012					
RP77	2007-000097	R-CHIP:47Kohm,5%, 1/16W,DA,TP,1608					
RP78	2007-000100	R-CHIP:68Kohm,5%, 1/16W,DA,TP,1608					
RP79	2007-000076	R-CHIP:330ohm,5%, 1/16W,DA,TP,1608					
RP80	2007-000076	R-CHIP:330ohm,5%, 1/16W,DA,TP,1608					
RP81	2007-000102	R-CHIP:100Kohm,5%, 1/16W,DA,TP,1608					
RP82	2007-000102	R-CHIP:100Kohm,5%, 1/16W,DA,TP,1608					
RP86	2007-000102	R-CHIP:100Kohm,5%, 1/16W,DA,TP,1608					
RP87	2007-000102	R-CHIP:100Kohm,5%, 1/16W,DA,TP,1608					
RP89	2007-000102	R-CHIP:100Kohm,5%, 1/16W,DA,TP,1608					
RP90	2007-000458	R-CHIP:18Kohm,5%, 1/16W,DA,TP,1608					
RP91	2007-000102	R-CHIP:100Kohm,5%, 1/16W,DA,TP,1608					
RP93	2007-000084	R-CHIP:4.7Kohm,5%, 1/16W,DA,TP,1608					
RP95	2007-000070	R-CHIP:0ohm,5%, 1/16W,DA,TP,1608					
RP96	2007-000070	R-CHIP:0ohm,5%, 1/16W,DA,TP,1608					
RP98	2007-000084	R-CHIP:4.7Kohm,5%, 1/16W,DA,TP,1608					
RP99	2007-000091	R-CHIP:12Kohm,5%, 1/16W,DA,TP,1608					
RS01	2007-000781	R-CHIP:33ohm,5%, 1/10W,DA,TP,2012	EIS only	D901	0404-000150	DIODE-SCHOTTKY:EC10Q504,40V,1A,SM,D,TP	
RS02	2007-000094	R-CHIP:22Kohm,5%, 1/16W,DA,TP,1608	EIS only	D902	0407-000139	DIODE-ARRAY:IMN10,80V,100mA,CX3,IMD,TP	
RS03	2007-000094	R-CHIP:22Kohm,5%, 1/16W,DA,TP,1608	EIS only	IC901	1203-000445	IC-POS.FIXED REG.:14641,TO-220,3P,-,PLA	
RS04	2007-000094	R-CHIP:22Kohm,5%, 1/16W,DA,TP,1608	EIS only	L901	2703-000398	INDUCTOR-SMD:10UH,10%, 3.2X2.5X2.2MM	
RS05	2007-000109	R-CHIP:1Mohm,5%, 1/16W,DA,TP,1608	EIS only	L902	2703-000405	INDUCTOR-SMD:2.2UH,20%, 3.2X2.5X2.2MM	
RS06	2007-000092	R-CHIP:15Kohm,5%, 1/16W,DA,TP,1608	EIS only	L903	2703-000405	INDUCTOR-SMD:2.2UH,20%, 3.2X2.5X2.2MM	
RS07	2007-000090	R-CHIP:10Kohm,5%, 1/16W,DA,TP,1608	EIS only	L904	2703-001117	INDUCTOR-SMD:10uH,20%, 7x7x3.2mm	
RS08	2007-000109	R-CHIP:1Mohm,5%, 1/16W,DA,TP,1608	EIS only	L905	2703-000403	INDUCTOR-SMD:22uH,10%, 3.2x2.5x2.2mm	
RS09	2007-001026	R-CHIP:560Kohm,5%, 1/16W,DA,TP,1608	EIS only	L906	2703-000398	INDUCTOR-SMD:10UH,10%, 3.2X2.5X2.2MM	
RS10	2007-000097	R-CHIP:47Kohm,5%, 1/16W,DA,TP,1608	EIS only	L907	2703-000398	INDUCTOR-SMD:10UH,10%, 3.2X2.5X2.2MM	
RS11	2007-000086	R-CHIP:5.6Kohm,5%, 1/16W,DA,TP,1608	EIS only	L908	2703-000403	INDUCTOR-SMD:22uH,10%, 3.2x2.5x2.2mm	
RS13	2007-000094	R-CHIP:22Kohm,5%, 1/16W,DA,TP,1608	EIS only	L909	2703-000403	INDUCTOR-SMD:22uH,10%, 3.2x2.5x2.2mm	
RS14	2007-000094	R-CHIP:22Kohm,5%, 1/16W,DA,TP,1608	EIS only	L910	2703-000403	INDUCTOR-SMD:22uH,10%, 3.2x2.5x2.2mm	

DC/DC BLOCK

C901	2203-000477	C-CERAMIC,CHIP:1uF,+80-20%, 16V,Y5V,TP,20	
C902	2203-000512	C-CERAMIC,CHIP:2.2uF,+80-20%, 16V,Y5V,321	
C903	2404-000128	C-TA,CHIP:10uF,20%, 16V,-,TP,6032,-	
C904	2203-001724	C-CERAMIC,CHIP:4.7uF,+80-20%, 16V,Y5V,321	
C905	2404-000254	C-TA,CHIP:47uF,20%, 10V,-,TP,7343,-	
C906	2203-000477	C-CERAMIC,CHIP:1uF,+80-20%, 16V,Y5V,TP,20	
C907	2203-000477	C-CERAMIC,CHIP:1uF,+80-20%, 16V,Y5V,TP,20	
C908	2203-000477	C-CERAMIC,CHIP:1uF,+80-20%, 16V,Y5V,TP,20	
C909	2203-000477	C-CERAMIC,CHIP:1uF,+80-20%, 16V,Y5V,TP,20	
C910	2203-000477	C-CERAMIC,CHIP:1uF,+80-20%, 16V,Y5V,TP,20	
C911	2203-000477	C-CERAMIC,CHIP:1uF,+80-20%, 16V,Y5V,TP,20	
C912	2404-000120	C-TA,CHIP:10uF,20%, 10V,-,TP,3528,-	
C913	2404-000120	C-TA,CHIP:10uF,20%, 10V,-,TP,3528,-	
C915	2404-000120	C-TA,CHIP:10uF,20%, 10V,-,TP,3528,-	
C916	2203-000512	C-CERAMIC,CHIP:2.2uF,+80-20%, 16V,Y5V,321	
C917	2404-000120	C-TA,CHIP:10uF,20%, 10V,-,TP,3528,-	
C918	2203-000481	C-CERAMIC,CHIP:1uF,+80-20%, 25V,Y5V,TP,32	
C919	2203-000481	C-CERAMIC,CHIP:1uF,+80-20%, 25V,Y5V,TP,32	
C920	2203-000481	C-CERAMIC,CHIP:1uF,+80-20%, 25V,Y5V,TP,32	
C921	2203-000481	C-CERAMIC,CHIP:1uF,+80-20%, 25V,Y5V,TP,32	
C922	2203-000512	C-CERAMIC,CHIP:2.2uF,+80-20%, 16V,Y5V,321	
C923	2203-000257	C-CERAMIC,CHIP:10nF,10%, 50V,X7R,1608,-T	
C924	2203-001556	C-CERAMIC,CHIP:100nF,+80-20%, 25V,Y5V,TP,	
C925	2203-001559	C-CERAMIC,CHIP:100pF,5%, 50V,NPO,TP,1608,	
C926	2203-000477	C-CERAMIC,CHIP:1uF,+80-20%, 16V,Y5V,TP,20	
C927	2203-000257	C-CERAMIC,CHIP:10nF,10%, 50V,X7R,1608,-T	
C928	2203-000257	C-CERAMIC,CHIP:10nF,10%, 50V,X7R,1608,-T	
C929	2203-001636	C-CERAMIC,CHIP:33pF,5%, 50V,NPO,TP,1608,1	
C930	2203-000888	C-CERAMIC,CHIP:4.7nF,10%, 50V,X7R,TP,1608	
C931	2203-001636	C-CERAMIC,CHIP:33pF,5%, 50V,NPO,TP,1608,1	
C932	2203-001632	C-CERAMIC,CHIP:330pF,5%, 50V,CH,1608,1.6m	
C933	2203-001640	C-CERAMIC,CHIP:390PF,10%, 50V,X7R,TP,1608	
C934	2203-002220	C-CERAMIC,CHIP:56PF,5%, 50V,CH,TP,1608,-	
C935	2203-001632	C-CERAMIC,CHIP:330pF,5%, 50V,CH,1608,1.6m	
C936	2203-001640	C-CERAMIC,CHIP:390PF,10%, 50V,X7R,TP,1608	
C937	2203-001556	C-CERAMIC,CHIP:100nF,+80-20%, 25V,Y5V,TP,	
C938	2203-001636	C-CERAMIC,CHIP:33pF,5%, 50V,NPO,TP,1608,1	
C940	2203-000512	C-CERAMIC,CHIP:2.2uF,+80-20%, 16V,Y5V,321	
C941	2203-001103	C-CERAMIC,CHIP:6.8nF,10%, 50V,X7R,TP,1608	
C942	2203-001103	C-CERAMIC,CHIP:6.8nF,10%, 50V,X7R,TP,1608	
C943	2203-001609	C-CERAMIC,CHIP:22nF,10%, 16V,X7R,TP,1608,	
C944	2203-000257	C-CERAMIC,CHIP:10nF,10%, 50V,X7R,1608,-T	
C945	2203-000257	C-CERAMIC,CHIP:10nF,10%, 50V,X7R,1608,-T	
C946	2203-000257	C-CERAMIC,CHIP:10nF,10%, 50V,X7R,1608,-T	
C949	2203-000477	C-CERAMIC,CHIP:1uF,+80-20%, 16V,Y5V,TP,20	
C950	2203-000477	C-CERAMIC,CHIP:1uF,+80-20%, 16V,Y5V,TP,20	
D901	0404-000150	DIODE-SCHOTTKY:EC10Q504,40V,1A,SM,D,TP	
D902	0407-000139	DIODE-ARRAY:IMN10,80V,100mA,CX3,IMD,TP	
IC901	1203-000445	IC-POS.FIXED REG.:14641,TO-220,3P,-,PLA	
L901	2703-000398	INDUCTOR-SMD:10UH,10%, 3.2X2.5X2.2MM	
L902	2703-000405	INDUCTOR-SMD:2.2UH,20%, 3.2X2.5X2.2MM	
L903	2703-000405	INDUCTOR-SMD:2.2UH,20%, 3.2X2.5X2.2MM	
L904	2703-001117	INDUCTOR-SMD:10uH,20%, 7x7x3.2mm	
L905	2703-000403	INDUCTOR-SMD:22uH,10%, 3.2x2.5x2.2mm	
L906	2703-000398	INDUCTOR-SMD:10UH,10%, 3.2X2.5X2.2MM	
L907	2703-000398	INDUCTOR-SMD:10UH,10%, 3.2X2.5X2.2MM	
L908	2703-000403	INDUCTOR-SMD:22uH,10%, 3.2x2.5x2.2mm	
L909	2703-000403	INDUCTOR-SMD:22uH,10%, 3.2x2.5x2.2mm	
L910	2703-000403	INDUCTOR-SMD:22uH,10%, 3.2x2.5x2.2mm	

Electrical Parts List

Loc.No	Part No	Desc & Spec	Remark	Loc.No	Part No	Desc & Spec	Remark
L911	2703-000398	INDUCTOR-SMD;10UH,10%,3.2X2.5X2.2MM		C435	2404-000139	C-TA,CHIP;10uF,20%,6.3V,-,3216,-,TP	
L912	2703-000398	INDUCTOR-SMD;10UH,10%,3.2X2.5X2.2MM		C436	2203-000477	C-CERAMIC,CHIP;1uF,+80-20%,16V,Y5V,TP,20	
L913	2703-000398	INDUCTOR-SMD;10UH,10%,3.2X2.5X2.2MM		C501	2203-000257	C-CERAMIC,CHIP;10nF,10%,50V,X7R,1608,-,T	
L914	2703-000398	INDUCTOR-SMD;10UH,10%,3.2X2.5X2.2MM		C502	2203-000477	C-CERAMIC,CHIP;1uF,+80-20%,16V,Y5V,TP,20	
L915	2703-001194	INDUCTOR-SMD;100uH,20%,7x7x3.2mm		C503	2203-000477	C-CERAMIC,CHIP;1uF,+80-20%,16V,Y5V,TP,20	
L916	2703-000398	INDUCTOR-SMD;10UH,10%,3.2X2.5X2.2MM		C504	2203-000888	C-CERAMIC,CHIP;4.7nF,10%,50V,X7R,TP,1608	
L917	2703-001194	INDUCTOR-SMD;100uH,20%,7x7x3.2mm		C505	2203-001609	C-CERAMIC,CHIP;22nF,10%,16V,X7R,TP,1608	
L918	2703-000398	INDUCTOR-SMD;10UH,10%,3.2X2.5X2.2MM		C506	2203-001609	C-CERAMIC,CHIP;1uF,+80-20%,16V,Y5V,TP,20	
L919	2703-000399	INDUCTOR-SMD;100uH,10%,3.2x2.5x2.2mm		C507	2203-001559	C-CERAMIC,CHIP;100pF,5%,50V,NPO,TP,1608	
L920	2703-000399	INDUCTOR-SMD;100uH,10%,3.2x2.5x2.2mm		C508	2203-001559	C-CERAMIC,CHIP;100pF,5%,50V,NPO,TP,1608	
L921	2703-000399	INDUCTOR-SMD;100uH,10%,3.2x2.5x2.2mm		C509	2203-000062	C-CERAMIC,CHIP;47nF,+80-20%,50V,Y5V,1608	
Q901	0502-000432	TR-POWER;2SB1302-S,PNP,1.3W,SC-62,TP,14		C510	2203-000477	C-CERAMIC,CHIP;1uF,+80-20%,16V,Y5V,TP,20	
Q902	0504-000113	TR-DIGITAL;DTC144EUA,NPN,200mW,47K-47K,S		C511	2203-000062	C-CERAMIC,CHIP;47nF,+80-20%,50V,Y5V,1608	
Q903	0501-000172	TR-SM ALL SIGNAL;2SB1121,PNP,500M W,P,CP,TP		C512	2203-000257	C-CERAMIC,CHIP;10nF,10%,50V,X7R,1608,-,T	
Q904	0501-000681	TR-SM ALL SIGNAL;FP101,PNP,1.3W,PCP4,TP,1		C515	2203-001640	C-CERAMIC,CHIP;390PF,10%,50V,X7R,TP,1608	
Q905	0501-000681	TR-SM ALL SIGNAL;FP101,PNP,1.3W,PCP4,TP,1		C516	2203-000929	C-CERAMIC,CHIP;470PF,10%,50V,X7R,TP,1608,-	
Q906	0501-000172	TR-SM ALL SIGNAL;2SB1121,PNP,500M W,P,CP,TP		C517	2203-000062	C-CERAMIC,CHIP;47nF,+80-20%,50V,Y5V,1608	
Q907	0501-000172	TR-SM ALL SIGNAL;2SB1121,PNP,500M W,P,CP,TP		C524	2203-000477	C-CERAMIC,CHIP;1uF,+80-20%,16V,Y5V,TP,20	
Q910	0504-000113	TR-DIGITAL;DTC144EUA,NPN,200mW,47K-47K,S		C525	2203-000440	C-CERAMIC,CHIP;1nF,10%,50V,X7R,1608,-,TP	
R901	2007-000094	R-CHIP;22Kohm,5%,1/16W,DA,TP,1608		C526	2203-000440	C-CERAMIC,CHIP;1nF,10%,50V,X7R,1608,-,TP	
R902	2007-000094	R-CHIP;22Kohm,5%,1/16W,DA,TP,1608		C528	2203-001556	C-CERAMIC,CHIP;100nF,+80-20%,25V,Y5V,TP,	
R903	2007-001699	R-CHIP;12Kohm,0.5%,1/16W,DA,TP,1608		C529	2203-001556	C-CERAMIC,CHIP;100nF,+80-20%,25V,Y5V,TP,	
R904	2007-001694	R-CHIP;12Kohm,0.5%,1/16W,DA,TP,1608		C530	2203-000257	C-CERAMIC,CHIP;10nF,10%,50V,X7R,1608,-,T	
R905	2007-007202	R-CHIP;51Kohm,0.5%,1/16W,DA,TP,1608		C531	2404-000151	C-TA,CHIP;1uF,20%,16V,-,TP,3216,-	
R906	2007-000094	R-CHIP;22Kohm,5%,1/16W,DA,TP,1608		C532	2203-000257	C-CERAMIC,CHIP;10nF,10%,50V,X7R,1608,-,T	
R907	2007-007204	R-CHIP;5.1Kohm,0.5%,1/16W,DA,TP,1608		C533	2203-001556	C-CERAMIC,CHIP;100nF,+80-20%,25V,Y5V,TP,	
R908	2007-000766	R-CHIP;330ohm,5%,1/10W,DA,TP,2012		C534	2203-000062	C-CERAMIC,CHIP;47nF,+80-20%,50V,Y5V,1608	
R910	2007-000086	R-CHIP;5.6Kohm,5%,1/16W,DA,TP,1608		C535	2203-000888	C-CERAMIC,CHIP;4.7nF,10%,50V,X7R,TP,1608	
R911	2007-000079	R-CHIP;1.8Kohm,5%,1/16W,DA,TP,1608		C536	2203-001630	C-CERAMIC,CHIP;330nF,+80-20%,16V	
R912	2007-000086	R-CHIP;5.6Kohm,5%,1/16W,DA,TP,1608		C537	2203-002218	C-CERAMIC,CHIP;47nF,10%,16V,X7R,TP,1608	
R913	2007-000766	R-CHIP;330ohm,5%,1/10W,DA,TP,2012		C538	2203-000491	C-CERAMIC,CHIP;2.2nF,10%,50V,X7R,TP,1608	
R914	2007-000079	R-CHIP;1.8Kohm,5%,1/16W,DA,TP,1608		C539	2203-000491	C-CERAMIC,CHIP;2.2nF,10%,50V,X7R,TP,1608	
R915	2007-000101	R-CHIP;82Kohm,5%,1/16W,DA,TP,1608		C540	2203-000491	C-CERAMIC,CHIP;2.2nF,10%,50V,X7R,TP,1608	
R916	2007-000092	R-CHIP;15Kohm,5%,1/16W,DA,TP,1608		C541	2203-001556	C-CERAMIC,CHIP;100nF,+80-20%,25V,Y5V,TP,	
R917	2007-001643	R-CHIP;100Kohm,0.5%,1/16W,DA,TP,1608		C542	2203-001556	C-CERAMIC,CHIP;100nF,+80-20%,25V,Y5V,TP,	
R918	2007-001643	R-CHIP;100Kohm,0.5%,1/16W,DA,TP,1608		C543	2203-001556	C-CERAMIC,CHIP;100nF,+80-20%,25V,Y5V,TP,	
R919	2007-007203	R-CHIP;5.6Kohm,0.5%,1/16W,DA,TP,1608		C544	2203-001556	C-CERAMIC,CHIP;100nF,+80-20%,25V,Y5V,TP,	
R922	2007-000134	R-CHIP;33Kohm,5%,1/16W,DA,TP,1608		C545	2203-001556	C-CERAMIC,CHIP;100nF,+80-20%,25V,Y5V,TP,	
R923	2007-000090	R-CHIP;10Kohm,5%,1/16W,DA,TP,1608		C546	2203-000199	C-CERAMIC,CHIP;100nF,+80-20%,50V,Z5U,TP,	
R924	2007-001695	R-CHIP;22Kohm,0.5%,1/16W,DA,TP,1608		C547	2402-000198	C-AL,SMD;47uF,20%,16V,GP,TP,6.3x5.4,-	
R925	2007-000090	R-CHIP;10Kohm,5%,1/16W,DA,TP,1608		C549	2404-000198	C-TA,CHIP;22uF,20%,6.3V,-,TP,3528,-	
R926	2007-000090	R-CHIP;10Kohm,5%,1/16W,DA,TP,1608		C550	2203-001640	C-CERAMIC,CHIP;390PF,10%,50V,X7R,TP,1608	
R927	2007-001114	R-CHIP;680Kohm,5%,1/16W,DA,TP,1608		C552	2203-001556	C-CERAMIC,CHIP;100nF,+80-20%,25V,Y5V,TP,	
R929	2007-000086	R-CHIP;5.6Kohm,5%,1/16W,DA,TP,1608		C553	2203-001556	C-CERAMIC,CHIP;100nF,+80-20%,25V,Y5V,TP,	
R930	2007-000086	R-CHIP;5.6Kohm,5%,1/16W,DA,TP,1608		C554	2203-001556	C-CERAMIC,CHIP;100nF,+80-20%,25V,Y5V,TP,	
R931	2007-000090	R-CHIP;10Kohm,5%,1/16W,DA,TP,1608		C555	2203-000477	C-CERAMIC,CHIP;1uF,+80-20%,16V,Y5V,TP,20	
R932	2007-000081	R-CHIP;2.7Kohm,5%,1/16W,DA,TP,1608		C601	2203-000477	C-CERAMIC,CHIP;1uF,+80-20%,16V,Y5V,TP,20	
R933	2007-000097	R-CHIP;47Kohm,5%,1/16W,DA,TP,1608		C602	2203-000477	C-CERAMIC,CHIP;1uF,+80-20%,16V,Y5V,TP,20	
R934	2007-000094	R-CHIP;22Kohm,5%,1/16W,DA,TP,1608		C603	2402-000182	C-AL,SMD;100uF,20%,6.3V,GP,TP,6.3x5.4,-	
R935	2007-000090	R-CHIP;10Kohm,5%,1/16W,DA,TP,1608		C604	2203-001556	C-CERAMIC,CHIP;100nF,+80-20%,25V,Y5V,TP,	
R936	2007-000655	R-CHIP;27Kohm,5%,1/16W,DA,TP 200		C605	2203-000477	C-CERAMIC,CHIP;1uF,+80-20%,16V,Y5V,TP,20	
R937	2007-000101	R-CHIP;82Kohm,5%,1/16W,DA,TP,1608		C606	2404-000232	C-TA,CHIP;4.7uF,20%,10V,WT,3216,-,TP	
R940	2007-000090	R-CHIP;10Kohm,5%,1/16W,DA,TP,1608		C608	2203-001556	C-CERAMIC,CHIP;100nF,+80-20%,25V,Y5V,TP,	
R941	2007-000090	R-CHIP;10Kohm,5%,1/16W,DA,TP,1608		C609	2203-000626	C-CERAMIC,CHIP;22pF,5%,50V,NPO,TP,1608,-	
R942	2007-000090	R-CHIP;10Kohm,5%,1/16W,DA,TP,1608		C610	2203-000626	C-CERAMIC,CHIP;22pF,5%,50V,NPO,TP,1608,-	
R943	2007-000091	R-CHIP;12Kohm,5%,1/16W,DA,TP,1608		C611	2203-000384	C-CERAMIC,CHIP;15pF,5%,50V,NPO,TP,1608,-	
R944	2007-000090	R-CHIP;10Kohm,5%,1/16W,DA,TP,1608		C612	2203-000384	C-CERAMIC,CHIP;15pF,5%,50V,NPO,TP,1608,-	
R945	2007-000090	R-CHIP;10Kohm,5%,1/16W,DA,TP,1608		C613	2203-000477	C-CERAMIC,CHIP;1uF,+80-20%,16V,Y5V,TP,20	
R946	2007-000090	R-CHIP;10Kohm,5%,1/16W,DA,TP,1608		C614	2203-001556	C-CERAMIC,CHIP;100nF,+80-20%,25V,Y5V,TP,	
R947	2007-000091	R-CHIP;12Kohm,5%,1/16W,DA,TP,1608		C615	2203-001556	C-CERAMIC,CHIP;100nF,+80-20%,25V,Y5V,TP,	
R948	2007-000094	R-CHIP;22Kohm,5%,1/16W,DA,TP,1608		C617	2203-000257	C-CERAMIC,CHIP;10nF,10%,50V,X7R,1608,-,T	
T901	AD26-20120M	TRANS-CONVERTOR;REEL,-,CMS64(285UH);S2C-		C618	2203-000257	C-CERAMIC,CHIP;10nF,10%,50V,X7R,1608,-,T	
SYSCON/SERVO BLOCK				C625	2203-000257	C-CERAMIC,CHIP;10nF,10%,50V,X7R,1608,-,T	
C401	2203-001573	C-CERAMIC,CHIP;12pF,5%,50V,CH,1608,1.6mm		C626	2203-000477	C-CERAMIC,CHIP;1uF,+80-20%,16V,Y5V,TP,20	
C402	2203-001567	C-CERAMIC,CHIP;10pF,0.5pF,50V,CH,1608,1.		C627	2203-000477	C-CERAMIC,CHIP;1uF,+80-20%,16V,Y5V,TP,20	
C403	2404-000139	C-TA,CHIP;10uF,20%,6.3V,-,3216,-,TP		C628	2404-000259	C-TA,CHIP;47uF,20%,6.3V,-,TP,6032,-	
C404	2203-001556	C-CERAMIC,CHIP;100nF,+80-20%,25V,Y5V,TP,		C640	2203-000257	C-CERAMIC,CHIP;10nF,10%,50V,X7R,1608,-,T	
C421	2203-000257	C-CERAMIC,CHIP;10nF,10%,50V,X7R,1608,-,T		CN501	3711-003366	CONNECTOR-HEADER;BOX,24P,2R,0.8mm,ANGLE,	
C431	2203-001559	C-CERAMIC,CHIP;100pF,5%,50V,NPO,TP,1608,		CN502	3711-002046	CONNECTOR-HEADER;3WALL,12P,1R,1.25mm,SMD	
C432	2203-000491	C-CERAMIC,CHIP;2.2nF,10%,50V,X7R,TP,1608		CN503	3710-001301	CONNECTOR-SOCKET;48P,2R,0.8mm,SMD-S,SN	
C433	2404-000151	C-TA,CHIP;1uF,20%,16V,-,TP,3216,-		D402	0407-000115	DIODE-ARRAY;DAN202U,80V,100mA,CA2-3,SC-7	
C434	2203-000257	C-CERAMIC,CHIP;10nF,10%,50V,X7R,1608,-,T		IC401	1204-001146	IC-OSD PROCESSOR;BU6251FV,SOP,20P,240MIL	
				IC421	1002-001070	IC-DJA CONVERTER;M62353GP,8BIT,SOP,16P,-	

Loc.No	Part No	Desc & Spec	Remark	Loc.No	Part No	Desc & Spec	Remark
IC431	AC14-12012B	IC:BA7046F-T1,SOP,-		R545	2007-000097	R-CHIP;47Kohm,5%,1/16W,DA,TP,1608	
IC501	AC14-12005J	IC-LOGIC;KA8322,QFP,-		R550	2007-000503	R-CHIP;2.2ohm,5%,1/16W,DA,TP,1608	
IC502	1003-001012	IC-MOTOR DRIVER;LB1950,SOP,30P,300MIL,SI		R551	2007-000503	R-CHIP;2.2ohm,5%,1/16W,DA,TP,1608	
IC503	1003-001020	IC-MOTOR DRIVER;LB1951,SOP,24P,-,SINGLE,		R552	2007-000503	R-CHIP;2.2ohm,5%,1/16W,DA,TP,1608	
IC504	1003-001146	IC-MOTOR DRIVER;LB1843VL,SOP,20P,-,800		R559	2007-000130	R-CHIP;39Kohm,5%,1/16W,DA,TP,1608	
IC601	AD09-10452C	IC-MCU;CXP87240A-140Q,100P,QFP,VP-L10		R562	2007-000109	R-CHIP;1M ohm,5%,1/16W,DA,TP,1608	
IC602	1203-001123	IC-VOLTAGE REGULATOR;8420,SOP,8P,216MIL,		R563	2007-000102	R-CHIP;100Kohm,5%,1/16W,DA,TP,1608	
L401	2703-000397	INDUCTOR-SMD;33uH,10%,2.5x2x1.8mm		R570	2007-001643	R-CHIP;100Kohm,0.5%,1/16W,DA,TP,1608	
L402	2703-000372	INDUCTOR-SMD;56uH,5%,2.5x2x1.8mm		R571	2007-000106	R-CHIP;220Kohm,5%,1/16W,DA,TP,1608	
L421	2703-000397	INDUCTOR-SMD;33uH,10%,2.5x2x1.8mm		R572	2007-000106	R-CHIP;220Kohm,5%,1/16W,DA,TP,1608	
L431	2703-000397	INDUCTOR-SMD;33uH,10%,2.5x2x1.8mm		R573	2007-000090	R-CHIP;10Kohm,5%,1/16W,DA,TP,1608	
L601	2703-000399	INDUCTOR-SMD;100uH,10%,3.2x2.5x2.2mm		R574	2007-000090	R-CHIP;10Kohm,5%,1/16W,DA,TP,1608	
L602	2703-000399	INDUCTOR-SMD;100uH,10%,3.2x2.5x2.2mm		R601	2007-001700	R-CHIP;330Kohm,0.5%,1/16W,DA,TP,1608	
L603	2703-000399	INDUCTOR-SMD;100uH,10%,3.2x2.5x2.2mm		R602	2007-001693	R-CHIP;15Kohm,0.5%,1/16W,DA,TP,1608	
Q501	0501-000172	TR-SMALL SIGNAL;2SB1121,PNP,500MW,PCP,TP		R603	2007-001700	R-CHIP;330Kohm,0.5%,1/16W,DA,TP,1608	
Q502	0504-000110	TR-DIGITAL;DTC114EU,NPN,200mW,10K-10Kohm		R604	2007-000078	R-CHIP;1Kohm,5%,1/16W,DA,TP,1608	
Q602	0504-000194	TR-DIGITAL;DTC124EU,NPN,200MW,22K-22K,SC		R605	2007-000079	R-CHIP;1.8Kohm,5%,1/16W,DA,TP,1608	
Q604	0501-000218	TR-SMALL SIGNAL;2SC4081,NPN,200mW,UJT,TP		R606	2007-000124	R-CHIP;2.2Kohm,5%,1/16W,DA,TP,1608	
Q605	0504-000107	TR-DIGITAL;DTA144EU,PNP,200mW,47K-47K,SC		R607	2007-000090	R-CHIP;10Kohm,5%,1/16W,DA,TP,1608	
R401	2007-000078	R-CHIP;1Kohm,5%,1/16W,DA,TP,1608		R608	2007-000102	R-CHIP;100Kohm,5%,1/16W,DA,TP,1608	
R402	2007-000078	R-CHIP;1Kohm,5%,1/16W,DA,TP,1608		R609	2007-000090	R-CHIP;10Kohm,5%,1/16W,DA,TP,1608	
R403	2007-000078	R-CHIP;1Kohm,5%,1/16W,DA,TP,1608		R611	2007-000078	R-CHIP;1Kohm,5%,1/16W,DA,TP,1608	
R404	2007-000078	R-CHIP;1Kohm,5%,1/16W,DA,TP,1608		R612	2007-000078	R-CHIP;1Kohm,5%,1/16W,DA,TP,1608	
R405	2007-000084	R-CHIP;4.7Kohm,5%,1/16W,DA,TP,1608		R614	2007-000106	R-CHIP;220Kohm,5%,1/16W,DA,TP,1608	
R406	2007-000080	R-CHIP;2Kohm,5%,1/16W,DA,TP,1608		R615	2007-000106	R-CHIP;220Kohm,5%,1/16W,DA,TP,1608	
R407	2007-000078	R-CHIP;1Kohm,5%,1/16W,DA,TP,1608		R616	2007-000090	R-CHIP;10Kohm,5%,1/16W,DA,TP,1608	
R408	2007-000124	R-CHIP;2.2Kohm,5%,1/16W,DA,TP,1608		R617	2007-000106	R-CHIP;220Kohm,5%,1/16W,DA,TP,1608	
R409	2007-000078	R-CHIP;1Kohm,5%,1/16W,DA,TP,1608		R618	2007-000090	R-CHIP;10Kohm,5%,1/16W,DA,TP,1608	
R410	2007-000078	R-CHIP;1Kohm,5%,1/16W,DA,TP,1608		R619	2007-000106	R-CHIP;220Kohm,5%,1/16W,DA,TP,1608	
R411	2007-000078	R-CHIP;1Kohm,5%,1/16W,DA,TP,1608		R620	2007-000090	R-CHIP;10Kohm,5%,1/16W,DA,TP,1608	
R412	2007-000084	R-CHIP;4.7Kohm,5%,1/16W,DA,TP,1608		R622	2007-000090	R-CHIP;10Kohm,5%,1/16W,DA,TP,1608	
R413	2007-000094	R-CHIP;22Kohm,5%,1/16W,DA,TP,1608		R623	2007-000106	R-CHIP;220Kohm,5%,1/16W,DA,TP,1608	
R415	2007-000070	R-CHIP;0ohm,5%,1/16W,DA,TP,1608		R625	2007-000106	R-CHIP;220Kohm,5%,1/16W,DA,TP,1608	
R431	2007-007352	R-CHIP;130KOHM,1%,1/16W,DA,TP,1608		R626	2007-000090	R-CHIP;10Kohm,5%,1/16W,DA,TP,1608	
R432	2007-000107	R-CHIP;470Kohm,5%,1/16W,DA,TP,1608		R627	2007-000090	R-CHIP;10Kohm,5%,1/16W,DA,TP,1608	
R433	2007-000090	R-CHIP;10Kohm,5%,1/16W,DA,TP,1608		R628	2007-000090	R-CHIP;10Kohm,5%,1/16W,DA,TP,1608	
R434	2007-000107	R-CHIP;470Kohm,5%,1/16W,DA,TP,1608		R629	2007-000084	R-CHIP;4.7Kohm,5%,1/16W,DA,TP,1608	
R435	2007-000076	R-CHIP;330ohm,5%,1/16W,DA,TP,1608		R630	2007-000090	R-CHIP;10Kohm,5%,1/16W,DA,TP,1608	
R501	2007-000090	R-CHIP;10Kohm,5%,1/16W,DA,TP,1608		R631	2007-000290	R-CHIP;100ohm,5%,1/10W,DA,TP,2012	
R502	2007-000102	R-CHIP;100Kohm,5%,1/16W,DA,TP,1608		R632	2007-001644	R-CHIP;10Kohm,0.5%,1/16W,DA,TP,1608	
R503	2007-000065	R-CHIP;2.2Mohm,5%,1/16W,DA,TP,1608		R633	2007-001643	R-CHIP;100Kohm,0.5%,1/16W,DA,TP,1608	
R504	2007-000102	R-CHIP;100Kohm,5%,1/16W,DA,TP,1608		R634	2007-000097	R-CHIP;47Kohm,5%,1/16W,DA,TP,1608	
R505	2007-000102	R-CHIP;100Kohm,5%,1/16W,DA,TP,1608		R635	2007-000078	R-CHIP;10Kohm,5%,1/16W,DA,TP,1608	
R506	2007-000098	R-CHIP;56Kohm,5%,1/16W,DA,TP,1608		R638	2007-000102	R-CHIP;100Kohm,5%,1/16W,DA,TP,1608	
R507	2007-000094	R-CHIP;22Kohm,5%,1/16W,DA,TP,1608		R639	2007-000078	R-CHIP;1Kohm,5%,1/16W,DA,TP,1608	
R508	2007-001114	R-CHIP;680Kohm,5%,1/16W,DA,TP,1608		R640	2007-000077	R-CHIP;470ohm,5%,1/16W,DA,TP,1608	
R509	2007-000123	R-CHIP;1.5Kohm,5%,1/16W,DA,TP,1608		R641	2007-000090	R-CHIP;10Kohm,5%,1/16W,DA,TP,1608	
R510	2007-000123	R-CHIP;1.5Kohm,5%,1/16W,DA,TP,1608		R642	2007-000077	R-CHIP;470ohm,5%,1/16W,DA,TP,1608	
R511	2007-000092	R-CHIP;15Kohm,5%,1/16W,DA,TP,1608		R643	2007-000077	R-CHIP;470ohm,5%,1/16W,DA,TP,1608	
R512	2007-000087	R-CHIP;6.8Kohm,5%,1/16W,DA,TP,1608		R644	2007-000102	R-CHIP;100Kohm,5%,1/16W,DA,TP,1608	
R513	2007-000076	R-CHIP;330ohm,5%,1/16W,DA,TP,1608		R646	2007-001643	R-CHIP;100Kohm,0.5%,1/16W,DA,TP,1608	
R514	2007-000077	R-CHIP;470ohm,5%,1/16W,DA,TP,1608		R655	2007-000084	R-CHIP;4.7Kohm,5%,1/16W,DA,TP,1608	
R515	2007-000093	R-CHIP;20Kohm,5%,1/16W,DA,TP,1608		R656	2007-000090	R-CHIP;10Kohm,5%,1/16W,DA,TP,1608	
R516	2007-000093	R-CHIP;20Kohm,5%,1/16W,DA,TP,1608		R657	2007-000090	R-CHIP;10Kohm,5%,1/16W,DA,TP,1608	
R517	2007-000094	R-CHIP;22Kohm,5%,1/16W,DA,TP,1608		R658	2007-000102	R-CHIP;100Kohm,5%,1/16W,DA,TP,1608	
R518	2007-000106	R-CHIP;220Kohm,5%,1/16W,DA,TP,1608		R659	2007-000078	R-CHIP;1Kohm,5%,1/16W,DA,TP,1608	
R519	2007-000458	R-CHIP;18Kohm,5%,1/16W,DA,TP,1608		R660	2007-000078	R-CHIP;1Kohm,5%,1/16W,DA,TP,1608	
R523	2007-000097	R-CHIP;47Kohm,5%,1/16W,DA,TP,1608		R662	2007-000090	R-CHIP;10Kohm,5%,1/16W,DA,TP,1608	
R524	2007-000123	R-CHIP;1.5Kohm,5%,1/16W,DA,TP,1608		R663	2007-000078	R-CHIP;1Kohm,5%,1/16W,DA,TP,1608	
R525	2007-000122	R-CHIP;1.2Kohm,5%,1/16W,DA,TP,1608		R664	2007-001643	R-CHIP;100Kohm,0.5%,1/16W,DA,TP,1608	
R526	2007-000097	R-CHIP;47Kohm,5%,1/16W,DA,TP,1608		R665	2007-000102	R-CHIP;100Kohm,5%,1/16W,DA,TP,1608	
R530	2007-000483	R-CHIP;1ohm,5%,1/10W,DA,TP,2012		R667	2007-000077	R-CHIP;470ohm,5%,1/16W,DA,TP,1608	
R531	2007-000483	R-CHIP;1ohm,5%,1/10W,DA,TP,2012		R668	2007-000077	R-CHIP;470ohm,5%,1/16W,DA,TP,1608	
R532	2007-000483	R-CHIP;1ohm,5%,1/10W,DA,TP,2012		R669	2007-000077	R-CHIP;470ohm,5%,1/16W,DA,TP,1608	
R533	2007-000483	R-CHIP;1ohm,5%,1/10W,DA,TP,2012		R670	2007-000090	R-CHIP;10Kohm,5%,1/16W,DA,TP,1608	
R536	2007-000090	R-CHIP;10Kohm,5%,1/16W,DA,TP,1608		R671	2007-000090	R-CHIP;10Kohm,5%,1/16W,DA,TP,1608	
R537	2007-000090	R-CHIP;10Kohm,5%,1/16W,DA,TP,1608		R672	2007-000090	R-CHIP;10Kohm,5%,1/16W,DA,TP,1608	
R538	2007-000090	R-CHIP;10Kohm,5%,1/16W,DA,TP,1608		R673	2007-000090	R-CHIP;10Kohm,5%,1/16W,DA,TP,1608	
R540	2007-000077	R-CHIP;470ohm,5%,1/16W,DA,TP,1608		R674	2007-000102	R-CHIP;100Kohm,5%,1/16W,DA,TP,1608	
R541	2007-000090	R-CHIP;10Kohm,5%,1/16W,DA,TP,1608		R675	2007-000102	R-CHIP;100Kohm,5%,1/16W,DA,TP,1608	
R542	2007-000090	R-CHIP;10Kohm,5%,1/16W,DA,TP,1608		R676	2007-000102	R-CHIP;100Kohm,5%,1/16W,DA,TP,1608	
R543	2007-000091	R-CHIP;12Kohm,5%,1/16W,DA,TP,1608		R677	2007-000102	R-CHIP;100Kohm,5%,1/16W,DA,TP,1608	
R544	2007-000090	R-CHIP;10Kohm,5%,1/16W,DA,TP,1608		R678	2007-000077	R-CHIP;470ohm,5%,1/16W,DA,TP,1608	

Electrical Parts List

Loc.No	Part No	Desc & Spec	Remark	Loc.No	Part No	Desc & Spec	Remark
R679	2007-000102	R-CHIP:100Kohm,5%,1/16W,DA,TP,1608		C220	2404-000139	C-TA,CHIP:10uF,20%,6.3V,-,3216,-,TP	
R683	2007-000078	R-CHIP:1Kohm,5%,1/16W,DA,TP,1608		C221	2203-000357	C-CERAMIC,CHIP:150pF,5%,50V,NPO,TP,1608,	
R684	2007-000084	R-CHIP:4.7Kohm,5%,1/16W,DA,TP,1608		C222	2203-001573	C-CERAMIC,CHIP:12pF,5%,50V,CH,1608,1.6mm	
R686	2007-000070	R-CHIP:0ohm,5%,1/16W,DA,TP,1608		C223	2404-000139	C-TA,CHIP:10uF,20%,6.3V,-,3216,-,TP	
R687	2007-000070	R-CHIP:0ohm,5%,1/16W,DA,TP,1608		C224	2203-000919	C-CERAMIC,CHIP:470nF,+80-20%,16V,Y5V,TP,	
R689	2007-000070	R-CHIP:0ohm,5%,1/16W,DA,TP,1608		C225	2203-000257	C-CERAMIC,CHIP:10nF,10%,50V,X7R,1608,-,T	
R690	2007-000090	R-CHIP:10Kohm,5%,1/16W,DA,TP,1608		C226	2404-000139	C-TA,CHIP:10uF,20%,6.3V,-,3216,-,TP	
R691	2007-000102	R-CHIP:100Kohm,5%,1/16W,DA,TP,1608		C227	2203-000477	C-CERAMIC,CHIP:1uF,+80-20%,16V,Y5V,TP,20	
R692	2007-000090	R-CHIP:10Kohm,5%,1/16W,DA,TP,1608		C228	2203-001402	C-CERAMIC,CHIP:220nF,+80-20%,16V	
R697	2007-000078	R-CHIP:1Kohm,5%,1/16W,DA,TP,1608		C229	2404-000232	C-TA,CHIP:4.7uF,20%,10V,WT,3216,-,TP	
SW501	AD34-201008	SWITCH-MODE;8EA,13MM/6.5MM,REEL,3V		C230	2402-001008	C-AL,SMD;220uF,20%,4V,-,6.6x6.6x5.4mm,2	
SW502	3403-000126	SWITCH-PUSH;12V,100MA,-,-		C231	2203-000257	C-CERAMIC,CHIP:10nF,10%,50V,X7R,1608,-,T	
XT601	2801-001449	CRYSTAL-SM D;32.768KHZ,20PPM,28-AAW,12.5P		C232	2404-001039	C-TA,CHIP:47uF,20%,6.3V,GP,TP,3528,-	
XT602	2801-003239	CRYSTAL-SM D;11.71875MHz,50ppm,28-ABL,13p		C233	2404-000139	C-TA,CHIP:10uF,20%,6.3V,-,3216,-,TP	
VIDEO BLOCK				C234	2203-000257	C-CERAMIC,CHIP:10nF,10%,50V,X7R,1608,-,T	
C101	2203-001609	C-CERAMIC,CHIP:22nF,10%,16V,X7R,TP,1608,		C236	2203-000257	C-CERAMIC,CHIP:10nF,10%,50V,X7R,1608,-,T	
C102	2203-000257	C-CERAMIC,CHIP:10nF,10%,50V,X7R,1608,-,T		C237	2203-000257	C-CERAMIC,CHIP:10nF,10%,50V,X7R,1608,-,T	
C103	2203-000257	C-CERAMIC,CHIP:10nF,10%,50V,X7R,1608,-,T		C238	2203-000257	C-CERAMIC,CHIP:10nF,10%,50V,X7R,1608,-,T	
C104	2203-000257	C-CERAMIC,CHIP:10nF,10%,50V,X7R,1608,-,T		C239	2203-001556	C-CERAMIC,CHIP:100nF,+80-20%,25V,Y5V,TP,	
C105	2203-000257	C-CERAMIC,CHIP:10nF,10%,50V,X7R,1608,-,T		C241	2203-001658	C-CERAMIC,CHIP:47pF,5%,50V,CH,1608,1.6mm	
C106	2203-000257	C-CERAMIC,CHIP:10nF,10%,50V,X7R,1608,-,T		C242	2203-001568	C-CERAMIC,CHIP:110pF,5%,50V,CH,TP,1608,1	
C107	2203-000257	C-CERAMIC,CHIP:10nF,10%,50V,X7R,1608,-,T		C243	2203-001588	C-CERAMIC,CHIP:18pF,5%,50V,CH,1608,1.6mm	
C108	2203-000257	C-CERAMIC,CHIP:10nF,10%,50V,X7R,1608,-,T		C244	2203-000851	C-CERAMIC,CHIP:39pF,5%,50V,NPO,TP,1608,-	
C109	2203-000257	C-CERAMIC,CHIP:10nF,10%,50V,X7R,1608,-,T		C245	2203-000440	C-CERAMIC,CHIP:1nF,10%,50V,X7R,1608,-,TP	
C110	2203-001559	C-CERAMIC,CHIP:100pF,5%,50V,NPO,TP,1608,		C246	2404-000151	C-TA,CHIP:1uF,20%,16V,-,TP,3216,-	
C111	2203-001556	C-CERAMIC,CHIP:100nF,+80-20%,25V,Y5V,TP,		C247	2203-001103	C-CERAMIC,CHIP:6.8nF,10%,50V,X7R,TP,1608	
C112	2203-000257	C-CERAMIC,CHIP:10nF,10%,50V,X7R,1608,-,T		C248	2203-001609	C-CERAMIC,CHIP:22nF,10%,16V,X7R,TP,1608,	
C113	2203-000257	C-CERAMIC,CHIP:10nF,10%,50V,X7R,1608,-,T		C249	2404-000261	C-TA,CHIP:680nF,20%,20V,-,TP,3216,-	
C114	2203-001556	C-CERAMIC,CHIP:100nF,+80-20%,25V,Y5V,TP,		C250	2203-000440	C-CERAMIC,CHIP:1nF,10%,50V,X7R,1608,-,TP	
C115	2203-001559	C-CERAMIC,CHIP:100pF,5%,50V,NPO,TP,1608,		C251	2203-000477	C-CERAMIC,CHIP:1uF,+80-20%,16V,Y5V,TP,20	
C116	2203-000257	C-CERAMIC,CHIP:10nF,10%,50V,X7R,1608,-,T		C254	2203-000257	C-CERAMIC,CHIP:10nF,10%,50V,X7R,1608,-,T	
C117	2404-000198	C-TA,CHIP:22uF,20%,6.3V,-,TP,3528,-		C255	2404-000139	C-TA,CHIP:10uF,20%,6.3V,-,3216,-,TP	
C118	2203-000257	C-CERAMIC,CHIP:10nF,10%,50V,X7R,1608,-,T		C256	2203-000257	C-CERAMIC,CHIP:10nF,10%,50V,X7R,1608,-,T	
C120	2203-001556	C-CERAMIC,CHIP:100nF,+80-20%,25V,Y5V,TP,		C257	2203-000257	C-CERAMIC,CHIP:10nF,10%,50V,X7R,1608,-,T	
C121	2203-001559	C-CERAMIC,CHIP:100pF,5%,50V,NPO,TP,1608,		C258	2404-000232	C-TA,CHIP:4.7uF,20%,6.3V,-,TP,3216,-,TP	
C122	2203-000357	C-CERAMIC,CHIP:150pF,5%,50V,NPO,TP,1608,		C259	2203-000257	C-CERAMIC,CHIP:10nF,10%,50V,X7R,1608,-,T	
C123	2203-001686	C-CERAMIC,CHIP:75pF,5%,50V,CH,TP,1608,1.		C260	2404-000139	C-TA,CHIP:10uF,20%,6.3V,-,3216,-,TP	
C124	2404-000198	C-TA,CHIP:22uF,20%,6.3V,-,TP,3528,-		C261	2203-001658	C-CERAMIC,CHIP:47pF,5%,50V,CH,1608,1.6mm	
C125	2203-000257	C-CERAMIC,CHIP:10nF,10%,50V,X7R,1608,-,T		C262	2404-000139	C-TA,CHIP:10uF,20%,6.3V,-,3216,-,TP	
C126	2203-000257	C-CERAMIC,CHIP:10nF,10%,50V,X7R,1608,-,T		C263	2203-001636	C-CERAMIC,CHIP:33pF,5%,50V,NPO,TP,1608,1	
C151	2404-000139	C-TA,CHIP:10uF,20%,6.3V,-,3216,-,TP		C264	2404-000198	C-TA,CHIP:22uF,20%,6.3V,-,TP,3528,-	
C152	2203-000257	C-CERAMIC,CHIP:10nF,10%,50V,X7R,1608,-,T		C265	2203-000257	C-CERAMIC,CHIP:10nF,10%,50V,X7R,1608,-,T	
C153	2203-000257	C-CERAMIC,CHIP:10nF,10%,50V,X7R,1608,-,T		C266	2203-000257	C-CERAMIC,CHIP:10nF,10%,50V,X7R,1608,-,T	
C154	2203-001573	C-CERAMIC,CHIP:12pF,5%,50V,CH,1608,1.6mm		C267	2203-000477	C-CERAMIC,CHIP:1uF,+80-20%,16V,Y5V,TP,20	
C155	2203-000257	C-CERAMIC,CHIP:10nF,10%,50V,X7R,1608,-,T		C268	2203-001658	C-CERAMIC,CHIP:47pF,5%,50V,CH,1608,1.6mm	
C156	2203-000491	C-CERAMIC,CHIP:2.2nF,10%,50V,X7R,TP,1608		C269	2203-000062	C-CERAMIC,CHIP:47nF,+80-20%,50V,Y5V,1608	
C157	2203-001609	C-CERAMIC,CHIP:22nF,10%,16V,X7R,TP,1608,		C270	2203-000626	C-CERAMIC,CHIP:22pF,5%,50V,NPO,TP,1608,-	
C158	2203-001676	C-CERAMIC,CHIP:62pF,5%,50V,CH,TP,1608,1.		C285	2203-000257	C-CERAMIC,CHIP:10nF,10%,50V,X7R,1608,-,T	
C159	2203-001616	C-CERAMIC,CHIP:270pF,5%,50V,CH,1608,1.6m		C286	2203-000257	C-CERAMIC,CHIP:10nF,10%,50V,X7R,1608,-,T	
C163	2203-001588	C-CERAMIC,CHIP:15pF,5%,50V,CH,1608,1.6mm		C291	2404-000139	C-TA,CHIP:10uF,20%,6.3V,-,3216,-,TP	
C164	2203-000384	C-CERAMIC,CHIP:15pF,5%,50V,NPO,TP,1608,-		C301	2404-000139	C-TA,CHIP:10uF,20%,6.3V,-,3216,-,TP	
C165	2203-000257	C-CERAMIC,CHIP:10nF,10%,50V,X7R,1608,-,T		C302	2203-000257	C-CERAMIC,CHIP:10nF,10%,50V,X7R,1608,-,T	
C166	2203-000257	C-CERAMIC,CHIP:10nF,10%,50V,X7R,1608,-,T		C303	2203-000477	C-CERAMIC,CHIP:1uF,+80-20%,16V,Y5V,TP,20	
C167	2203-001609	C-CERAMIC,CHIP:22nF,10%,16V,X7R,TP,1608,		C304	2203-000257	C-CERAMIC,CHIP:10nF,10%,50V,X7R,1608,-,T	
C168	2203-001636	C-CERAMIC,CHIP:33pF,5%,50V,NPO,TP,1608,1		C306	2203-000477	C-CERAMIC,CHIP:1uF,+80-20%,16V,Y5V,TP,20	
C201	2203-000257	C-CERAMIC,CHIP:10nF,10%,50V,X7R,1608,-,T		C307	2203-000477	C-CERAMIC,CHIP:1uF,+80-20%,16V,Y5V,TP,20	
C202	2203-001640	C-CERAMIC,CHIP:390pF,10%,50V,X7R,TP,1608		C308	2203-001556	C-CERAMIC,CHIP:100nF,+80-20%,25V,Y5V,TP,	
C203	2203-001632	C-CERAMIC,CHIP:330pF,5%,50V,CH,1608,1.6m		C309	2203-000440	C-CERAMIC,CHIP:1nF,10%,50V,X7R,1608,-,TP	
C204	2404-000139	C-TA,CHIP:10uF,20%,6.3V,-,3216,-,TP		C310	2203-000440	C-CERAMIC,CHIP:1nF,10%,50V,X7R,1608,-,TP	
C205	2203-000257	C-CERAMIC,CHIP:10nF,10%,50V,X7R,1608,-,T		C311	2203-001588	C-CERAMIC,CHIP:18pF,5%,50V,CH,1608,1.6mm	
C206	2203-000477	C-CERAMIC,CHIP:1uF,+80-20%,16V,Y5V,TP,20		C312	2203-001618	C-CERAMIC,CHIP:27pF,5%,50V,CH,1608,1.6mm	
C207	2203-000357	C-CERAMIC,CHIP:150pF,5%,50V,NPO,TP,1608,		C313	2203-001559	C-CERAMIC,CHIP:100pF,5%,50V,NPO,TP,1608,	
C208	2203-001607	C-CERAMIC,CHIP:220pF,5%,50V,CH,1608,1.6m		C314	2203-001618	C-CERAMIC,CHIP:27pF,5%,50V,CH,1608,1.6mm	
C209	2404-000198	C-TA,CHIP:22uF,20%,6.3V,-,TP,3528,-		C315	2203-001618	C-CERAMIC,CHIP:27pF,5%,50V,CH,1608,1.6mm	
C211	2203-001697	C-CERAMIC,CHIP:82pF,5%,50V,CH,TP,1608,1.		C316	2203-000626	C-CERAMIC,CHIP:22pF,5%,50V,NPO,TP,1608,-	
C212	2404-000139	C-TA,CHIP:10uF,20%,6.3V,-,3216,-,TP		C317	2203-001658	C-CERAMIC,CHIP:47pF,5%,50V,CH,1608,1.6mm	
C214	2404-000139	C-TA,CHIP:10uF,20%,6.3V,-,3216,-,TP		C318	2203-000626	C-CERAMIC,CHIP:22pF,5%,50V,NPO,TP,1608,-	
C215	2203-000257	C-CERAMIC,CHIP:10nF,10%,50V,X7R,1608,-,T		C319	2203-001559	C-CERAMIC,CHIP:100pF,5%,50V,NPO,TP,1608,	
C216	2404-000166	C-TA,CHIP:2.2uF,20%,10V,-,TP,3216,-		C320	2203-001658	C-CERAMIC,CHIP:47pF,5%,50V,CH,1608,1.6mm	
C217	2404-000166	C-TA,CHIP:2.2uF,20%,10V,-,TP,3216,-		C321	2203-001658	C-CERAMIC,CHIP:47pF,5%,50V,CH,1608,1.6mm	
C218	2404-000139	C-TA,CHIP:10uF,20%,6.3V,-,3216,-,TP		C322	2203-001567	C-CERAMIC,CHIP:10pF,0.5pF,50V,CH,1608,1.	
C219	2203-000477	C-CERAMIC,CHIP:1uF,+80-20%,16V,Y5V,TP,20		C323	2203-001567	C-CERAMIC,CHIP:10pF,0.5pF,50V,CH,1608,1.	
				C324	2203-001683	C-CERAMIC,CHIP:68pF,5%,50V,CH,TP,1608,1.	

Loc.No	Part No	Desc & Spec	Remark	Loc.No	Part No	Desc & Spec	Remark
C325	2404-000139	C-TA,CHIP;10uF,20%,6.3V,-,3216,-,TP		Q219	0501-000162	TR-SMALL SIGNAL;2SA1576,PNP,200mW,SC-70,	
C326	2404-000139	C-TA,CHIP;10uF,20%,6.3V,-,3216,-,TP		Q220	0504-000177	TR-DIGITAL;DTC143EU,NPN,200mW,4.7K-4.7K	
C331	2203-001588	C-CERAMIC,CHIP;18pF,5%,50V,CH,1608,1.6mm		Q221	0504-000113	TR-DIGITAL;DTC144EU,NPN,200mW,4.7K-4.7K,S	
C351	2203-000257	C-CERAMIC,CHIP;10nF,10%,50V,X7R,1608,-,T		Q222	0504-000177	TR-DIGITAL;DTC143EU,NPN,200mW,4.7K-4.7K	
C352	2404-000139	C-TA,CHIP;10uF,20%,6.3V,-,3216,-,TP		Q223	0504-000105	TR-DIGITAL;DTA114EU,PNP,200mW,10K-10K,SC	
C353	2203-001568	C-CERAMIC,CHIP;110PF,5%,50V,CH,TP,1608,1		Q224	0504-000113	TR-DIGITAL;DTC144EU,NPN,200mW,4.7K-4.7K,S	
C354	2404-000232	C-TA,CHIP;4.7uF,20%,10V,WT,3216,-,TP		Q231	0506-000150	TR-ARRAY;UM X2N,NPN,2,50V,40V,100MA,300M	
C355	2203-000440	C-CERAMIC,CHIP;1nF,10%,50V,X7R,1608,-,TP		Q301	0506-000150	TR-ARRAY;UM X2N,NPN,2,50V,40V,100MA,300M	
C356	2203-000440	C-CERAMIC,CHIP;1nF,10%,50V,X7R,1608,-,TP		Q302	0506-000150	TR-ARRAY;UM X2N,NPN,2,50V,40V,100MA,300M	
C357	2203-0001640	C-CERAMIC,CHIP;390PF,10%,50V,X7R,TP,1608		Q303	0501-000218	TR-SMALL SIGNAL;2SC4081,NPN,200mW,UMT,TP	
C358	2203-000477	C-CERAMIC,CHIP;1uF,+80-20%,16V,Y5V,TP,20		Q304	0504-000107	TR-DIGITAL;DTA144EU,PNP,200mW,4.7K-4.7K,SC	
C359	2203-000440	C-CERAMIC,CHIP;1nF,10%,50V,X7R,1608,-,TP		Q305	0506-000150	TR-ARRAY;UM X2N,NPN,2,50V,40V,100MA,300M	
C360	2203-000477	C-CERAMIC,CHIP;1uF,+80-20%,16V,Y5V,TP,20		Q306	0501-000162	TR-SMALL SIGNAL;2SA1576,PNP,200mW,SC-70,	
C361	2203-000257	C-CERAMIC,CHIP;10nF,10%,50V,X7R,1608,-,T		Q351	0506-000146	TR-ARRAY;UM H6N,NPN,2,150MW,UM 6,TP,68	
C362	2203-000257	C-CERAMIC,CHIP;10nF,10%,50V,X7R,1608,-,T		Q352	0506-000146	TR-ARRAY;UM H6N,NPN,2,150MW,UM 6,TP,68	
C363	2203-001567	C-CERAMIC,CHIP;10pF,0.5pF,50V,CH,1608,1.		Q353	0504-000107	TR-DIGITAL;DTA144EU,PNP,200mW,4.7K-4.7K,SC	
CN101	3708-001243	CONNECTOR-FPC/FPC;11P,1MM,SMD-A,SN		Q354	0501-000218	TR-SMALL SIGNAL;2SC4081,NPN,200mW,UMT,TP	
D151	0407-000145	DIODE-ARRAY;DCC010,-80V,100mA,C2-3,SOT-2		Q355	0504-000107	TR-DIGITAL;DTA144EU,PNP,200mW,4.7K-4.7K,SC	
D201	0407-000115	DIODE-ARRAY;DAN202U,80V,100mA,CA2-3,SC-7		Q381	0501-000162	TR-SMALL SIGNAL;2SA1576,PNP,200mW,SC-70,	
D202	0401-000171	DIODE-SWITCHING;MA111,80V,100mA,-,3nS,SM		Q382	0504-000113	TR-DIGITAL;DTC144EU,NPN,200mW,4.7K-4.7K,S	
D203	0407-000145	DIODE-ARRAY;DCC010,-80V,100mA,C2-3,SOT-2		R103	2007-000099	R-CHIP;62Kohm,5%,1/16W,DA,TP,1608	
D351	0401-000171	DIODE-SWITCHING;MA111,80V,100mA,-,3nS,SM		R104	2007-000123	R-CHIP;1.5Kohm,5%,1/16W,DA,TP,1608	
IC101	1201-001087	IC-PREAMP;52369,0FP,48P,-,SINGLE,-,PLAST		R105	2007-000082	R-CHIP;3.3Kohm,5%,1/16W,DA,TP,1608	
IC201	AC14-12012G	IC;CXA1700R,QFP,-		R106	2007-000077	R-CHIP;470ohm,5%,1/16W,DA,TP,1608	
IC202	1201-001083	IC-ACC AMP;1211,SOP,8P;225MIL,DUAL,5dB,P		R107	2007-001179	R-CHIP;8.2Kohm,5%,1/16W,DA,TP,1608	
IC203	AC14-12015G	IC-LINEAR;NJ M2249V,SSOP,TAPE		R108	2007-001179	R-CHIP;8.2Kohm,5%,1/16W,DA,TP,1608	
IC302	1209-001044	IC-DELAY LINE;CXL5517N,SOP,20P,173MIL,PL		R109	2007-000078	R-CHIP;1Kohm,5%,1/16W,DA,TP,1608	
IC351	AC14-12012S	IC;M52358VP,SOP,-		R110	2007-000078	R-CHIP;1Kohm,5%,1/16W,DA,TP,1608	
L101	2703-000399	INDUCTOR-SMD;100uH,10%,3.2x2.5x2.2mm		R112	2007-000450	R-CHIP;180ohm,5%,1/16W,DA,TP,1608	
L102	2703-000397	INDUCTOR-SMD;33uH,10%,2.5x2x1.8mm		R113	2007-000075	R-CHIP;220ohm,5%,1/16W,DA,TP,1608	
L103	2703-001493	INDUCTOR-SMD;10uH,5%,2.5x2.0x1.8		R114	2007-000075	R-CHIP;220ohm,5%,1/16W,DA,TP,1608	
L151	2703-000397	INDUCTOR-SMD;33uH,10%,2.5x2x1.8mm		R115	2007-000450	R-CHIP;180ohm,5%,1/16W,DA,TP,1608	
L152	2703-001494	INDUCTOR-SMD;100uH,5%,2.5x2.0x1.8		R117	2007-000071	R-CHIP;22ohm,5%,1/16W,DA,TP,1608	
L153	2703-000388	INDUCTOR-SMD;470uH,5%,3.2x2.5x2.2mm		R118	2007-000643	R-CHIP;270ohm,5%,1/16W,DA,TP,1608	
L154	2703-000381	INDUCTOR-SMD;180uH,5%,3.2x2.5x2.2mm		R119	2007-000075	R-CHIP;220ohm,5%,1/16W,DA,TP,1608	
L155	2703-000381	INDUCTOR-SMD;180uH,5%,3.2x2.5x2.2mm		R120	2007-000094	R-CHIP;22Kohm,5%,1/16W,DA,TP,1608	
L157	2703-000372	INDUCTOR-SMD;56uH,5%,2.5x2x1.8mm		R121	2007-000134	R-CHIP;33Kohm,5%,1/16W,DA,TP,1608	
L158	2703-001493	INDUCTOR-SMD;10uH,5%,2.5x2.0x1.8		R122	2007-000082	R-CHIP;3.3Kohm,5%,1/16W,DA,TP,1608	
L202	2703-000409	INDUCTOR-SMD;47uH,10%,3.2x2.5x2.2mm		R127	2007-000078	R-CHIP;1Kohm,5%,1/16W,DA,TP,1608	
L203	2703-000403	INDUCTOR-SMD;22uH,10%,3.2x2.5x2.2mm		R131	2007-001179	R-CHIP;8.2Kohm,5%,1/16W,DA,TP,1608	
L205	2703-001494	INDUCTOR-SMD;100uH,5%,2.5x2.0x1.8		R132	2007-001179	R-CHIP;8.2Kohm,5%,1/16W,DA,TP,1608	
L206	2703-000385	INDUCTOR-SMD;330uH,5%,3.2x2.5x2.2mm		R151	2007-000070	R-CHIP;0ohm,5%,1/16W,DA,TP,1608	
L208	2703-000366	INDUCTOR-SMD;82uH,5%,2.5x2x1.8mm		R152	2007-000458	R-CHIP;18Kohm,5%,1/16W,DA,TP,1608	
L209	2703-000397	INDUCTOR-SMD;33uH,10%,2.5x2x1.8mm		R153	2007-000094	R-CHIP;22Kohm,5%,1/16W,DA,TP,1608	
L210	2703-000397	INDUCTOR-SMD;33uH,10%,2.5x2x1.8mm		R154	2007-000134	R-CHIP;33Kohm,5%,1/16W,DA,TP,1608	
L211	2703-000366	INDUCTOR-SMD;22uH,5%,2.5x2x1.8mm		R155	2007-000458	R-CHIP;18Kohm,5%,1/16W,DA,TP,1608	
L212	2703-000376	INDUCTOR-SMD;82uH,5%,2.5x2x1.8mm		R156	2203-000257	C-CERAMIC,CHIP;10nF,10%,50V,X7R,1608,-,T	
L301	2703-000397	INDUCTOR-SMD;33uH,10%,2.5x2x1.8mm		R157	2007-000119	R-CHIP;560ohm,5%,1/16W,DA,TP,1608	
L302	2703-000397	INDUCTOR-SMD;33uH,10%,2.5x2x1.8mm		R159	2007-000119	R-CHIP;560ohm,5%,1/16W,DA,TP,1608	
L303	2703-000367	INDUCTOR-SMD;33uH,5%,2.5x2x1.8mm		R160	2007-000124	R-CHIP;2.2Kohm,5%,1/16W,DA,TP,1608	
L304	2703-001493	INDUCTOR-SMD;10uH,5%,2.5x2.0x1.8		R161	2007-000078	R-CHIP;1Kohm,5%,1/16W,DA,TP,1608	
L305	2703-001498	INDUCTOR-SMD;4.7uH,5%,2.5x2.0x1.8		R162	2007-000079	R-CHIP;1.8Kohm,5%,1/16W,DA,TP,1608	
L306	2703-000367	INDUCTOR-SMD;33uH,5%,2.5x2x1.8mm		R163	2007-000078	R-CHIP;1Kohm,5%,1/16W,DA,TP,1608	
L307	2703-001498	INDUCTOR-SMD;4.7uH,5%,2.5x2.0x1.8		R165	2007-000124	R-CHIP;2.2Kohm,5%,1/16W,DA,TP,1608	
L351	2703-000403	INDUCTOR-SMD;22uH,10%,3.2x2.5x2.2mm		R166	2007-000122	R-CHIP;1.2Kohm,5%,1/16W,DA,TP,1608	
Q102	0506-000148	TR-ARRAY;UM T2N,PNP,2,-50V,40V,-100MA,3		R167	2007-000077	R-CHIP;470ohm,5%,1/16W,DA,TP,1608	
Q151	0501-000218	TR-SMALL SIGNAL;2SC4081,NPN,200mW,UMT,TP		R168	2007-000119	R-CHIP;560ohm,5%,1/16W,DA,TP,1608	
Q152	0501-000218	TR-SMALL SIGNAL;2SC4081,NPN,200mW,UMT,TP		R169	2007-000079	R-CHIP;1.8Kohm,5%,1/16W,DA,TP,1608	
Q154	0504-000107	TR-DIGITAL;DTA144EU,PNP,200mW,4.7K-4.7K,SC		R170	2007-000119	R-CHIP;560ohm,5%,1/16W,DA,TP,1608	
Q156	0501-000207	TR-SMALL SIGNAL;2SC3142,NPN,150MW,SOT-23		R171	2007-000134	R-CHIP;33Kohm,5%,1/16W,DA,TP,1608	
Q157	0501-000218	TR-SMALL SIGNAL;2SC4081,NPN,200mW,UMT,TP		R172	2007-000078	R-CHIP;1Kohm,5%,1/16W,DA,TP,1608	
Q201	0501-000218	TR-SMALL SIGNAL;2SC4081,NPN,200mW,UMT,TP		R173	2007-000092	R-CHIP;15Kohm,5%,1/16W,DA,TP,1608	
Q206	0506-000150	TR-ARRAY;UM X2N,NPN,2,50V,40V,100MA,300M		R174	2007-000077	R-CHIP;470ohm,5%,1/16W,DA,TP,1608	
Q207	0506-000151	TR-ARRAY;UM ZIN,NPN/PNP,1.50V,40V,100MA,		R175	2007-000077	R-CHIP;470ohm,5%,1/16W,DA,TP,1608	
Q208	0506-000150	TR-ARRAY;UM X2N,NPN,2,50V,40V,100MA,300M		R176	2007-000121	R-CHIP;820ohm,5%,1/16W,DA,TP,1608	
Q210	0504-000107	TR-DIGITAL;DTA144EU,PNP,200mW,4.7K-4.7K,SC		R177	2007-000124	R-CHIP;2.2Kohm,5%,1/16W,DA,TP,1608	
Q211	0501-000218	TR-SMALL SIGNAL;2SC4081,NPN,200mW,UMT,TP		R201	2007-000219	R-CHIP;1.2Kohm,1%,1/16W,DA,TP,1608	
Q212	0506-000151	TR-ARRAY;UM ZIN,NPN/PNP,1.50V,40V,100MA,		R202	2007-000929	R-CHIP;470ohm,1%,1/16W,DA,TP,1608	
Q213	0501-000162	TR-SMALL SIGNAL;2SA1576,PNP,200mW,SC-70,		R203	2007-000683	R-CHIP;3.3Kohm,1%,1/16W,DA,TP,1608	
Q214	0506-000150	TR-ARRAY;UM X2N,NPN,2,50V,40V,100MA,300M		R204	2007-000121	R-CHIP;820ohm,5%,1/16W,DA,TP,1608	
Q215	0506-000150	TR-ARRAY;UM X2N,NPN,2,50V,40V,100MA,300M		R205	2007-000124	R-CHIP;2.2Kohm,5%,1/16W,DA,TP,1608	
Q216	0506-000146	TR-ARRAY;UM H6N,NPN,2,150MW,UM 6,TP,68		R206	2007-000121	R-CHIP;820ohm,5%,1/16W,DA,TP,1608	
Q218	0501-000218	TR-SMALL SIGNAL;2SC4081,NPN,200mW,UMT,TP		R208	2007-000123	R-CHIP;1.5Kohm,5%,1/16W,DA,TP,1608	

Electrical Parts List

Loc.No	Part No	Desc & Spec	Remark	Loc.No	Part No	Desc & Spec	Remark
R209	2007-000092	R-CHIP;15Kohm,5%,1/16W,DA,TP,1608		R295	2007-000082	R-CHIP;3.3Kohm,5%,1/16W,DA,TP,1608	
R210	2007-000090	R-CHIP;10Kohm,5%,1/16W,DA,TP,1608		R302	2007-001026	R-CHIP;560Kohm,5%,1/16W,DA,TP,1608	
R213	2007-000090	R-CHIP;10Kohm,5%,1/16W,DA,TP,1608		R303	2007-000120	R-CHIP;680ohm,5%,1/16W,DA,TP,1608	
R214	2007-000839	R-CHIP;39ohm,5%,1/16W,DA,TP,1608		R304	2007-000512	R-CHIP;2.4Kohm,5%,1/16W,DA,TP,1608	
R215	2007-000839	R-CHIP;39ohm,5%,1/16W,DA,TP,1608		R305	2007-000077	R-CHIP;470ohm,5%,1/16W,DA,TP,1608	
R216	2007-000043	R-CHIP;1Kohm,1%,1/16W,DA,TP,1608		R306	2007-001134	R-CHIP;68ohm,5%,1/16W,DA,TP,1608	
R217	2007-000043	R-CHIP;1Kohm,1%,1/16W,DA,TP,1608		R307	2007-000643	R-CHIP;270ohm,5%,1/16W,DA,TP,1608	
R218	2007-001179	R-CHIP;8.2Kohm,5%,1/16W,DA,TP,1608		R308	2007-000120	R-CHIP;680ohm,5%,1/16W,DA,TP,1608	
R219	2007-000130	R-CHIP;39Kohm,5%,1/16W,DA,TP,1608		R309	2007-000075	R-CHIP;220ohm,5%,1/16W,DA,TP,1608	
R220	2007-000130	R-CHIP;39Kohm,5%,1/16W,DA,TP,1608		R310	2007-000078	R-CHIP;1Kohm,5%,1/16W,DA,TP,1608	
R221	2007-000100	R-CHIP;68Kohm,5%,1/16W,DA,TP,1608		R311	2007-000122	R-CHIP;1.2Kohm,5%,1/16W,DA,TP,1608	
R222	2007-000125	R-CHIP;3.9Kohm,5%,1/16W,DA,TP,1608		R312	2007-000120	R-CHIP;680ohm,5%,1/16W,DA,TP,1608	
R223	2007-000078	R-CHIP;1Kohm,5%,1/16W,DA,TP,1608		R313	2007-000079	R-CHIP;1.8Kohm,5%,1/16W,DA,TP,1608	
R224	2007-000086	R-CHIP;5.6Kohm,5%,1/16W,DA,TP,1608		R314	2007-000839	R-CHIP;39ohm,5%,1/16W,DA,TP,1608	
R225	2007-000458	R-CHIP;18Kohm,5%,1/16W,DA,TP,1608		R315	2007-000119	R-CHIP;560ohm,5%,1/16W,DA,TP,1608	
R226	2007-000090	R-CHIP;10Kohm,5%,1/16W,DA,TP,1608		R316	2007-000084	R-CHIP;4.7Kohm,5%,1/16W,DA,TP,1608	
R227	2007-000458	R-CHIP;18Kohm,5%,1/16W,DA,TP,1608		R317	2007-000078	R-CHIP;1Kohm,5%,1/16W,DA,TP,1608	
R228	2007-000078	R-CHIP;1Kohm,5%,1/16W,DA,TP,1608		R319	2007-000121	R-CHIP;820ohm,5%,1/16W,DA,TP,1608	
R231	2007-000082	R-CHIP;3.3Kohm,5%,1/16W,DA,TP,1608		R320	2007-000078	R-CHIP;1Kohm,5%,1/16W,DA,TP,1608	
R232	2007-000125	R-CHIP;3.9Kohm,5%,1/16W,DA,TP,1608		R321	2007-000078	R-CHIP;1Kohm,5%,1/16W,DA,TP,1608	
R233	2007-000090	R-CHIP;10Kohm,5%,1/16W,DA,TP,1608		R322	2007-000078	R-CHIP;1Kohm,5%,1/16W,DA,TP,1608	
R234	2007-000078	R-CHIP;1Kohm,5%,1/16W,DA,TP,1608		R326	2007-000070	R-CHIP;0ohm,5%,1/16W,DA,TP,1608	
R236	2007-000109	R-CHIP;1M ohm,5%,1/16W,DA,TP,1608		R329	2007-000101	R-CHIP;82Kohm,5%,1/16W,DA,TP,1608	
R237	2007-000094	R-CHIP;22Kohm,5%,1/16W,DA,TP,1608		R330	2007-000116	R-CHIP;120ohm,5%,1/16W,DA,TP,1608	
R238	2007-000076	R-CHIP;330ohm,5%,1/16W,DA,TP,1608		R331	2007-000090	R-CHIP;10Kohm,5%,1/16W,DA,TP,1608	
R239	2007-000077	R-CHIP;470ohm,5%,1/16W,DA,TP,1608		R332	2007-000078	R-CHIP;1Kohm,5%,1/16W,DA,TP,1608	
R240	2007-000074	R-CHIP;100ohm,5%,1/16W,DA,TP,1608		R335	2007-000077	R-CHIP;470ohm,5%,1/16W,DA,TP,1608	
R243	2007-000119	R-CHIP;560ohm,5%,1/16W,DA,TP,1608		R336	2007-000070	R-CHIP;0ohm,5%,1/16W,DA,TP,1608	
R244	2007-000120	R-CHIP;680ohm,5%,1/16W,DA,TP,1608		R339	2007-000070	R-CHIP;0ohm,5%,1/16W,DA,TP,1608	
R246	2007-000090	R-CHIP;10Kohm,5%,1/16W,DA,TP,1608		R351	2007-000084	R-CHIP;4.7Kohm,5%,1/16W,DA,TP,1608	
R247	2007-000119	R-CHIP;560ohm,5%,1/16W,DA,TP,1608		R352	2007-000124	R-CHIP;2.2Kohm,5%,1/16W,DA,TP,1608	
R248	2007-000119	R-CHIP;560ohm,5%,1/16W,DA,TP,1608		R353	2007-000082	R-CHIP;3.3Kohm,5%,1/16W,DA,TP,1608	
R249	2007-000078	R-CHIP;1Kohm,5%,1/16W,DA,TP,1608		R354	2007-000090	R-CHIP;10Kohm,5%,1/16W,DA,TP,1608	
R250	2007-000078	R-CHIP;1Kohm,5%,1/16W,DA,TP,1608		R355	2007-000097	R-CHIP;47Kohm,5%,1/16W,DA,TP,1608	
R251	2007-000120	R-CHIP;680ohm,5%,1/16W,DA,TP,1608		R356	2007-000124	R-CHIP;2.2Kohm,5%,1/16W,DA,TP,1608	
R252	2007-000078	R-CHIP;1Kohm,5%,1/16W,DA,TP,1608		R357	2007-000102	R-CHIP;100Kohm,5%,1/16W,DA,TP,1608	
R253	2007-000123	R-CHIP;1.5Kohm,5%,1/16W,DA,TP,1608		R358	2007-000102	R-CHIP;100Kohm,5%,1/16W,DA,TP,1608	
R254	2007-000078	R-CHIP;1Kohm,5%,1/16W,DA,TP,1608		R359	2007-000094	R-CHIP;22Kohm,5%,1/16W,DA,TP,1608	
R255	2007-000078	R-CHIP;1Kohm,5%,1/16W,DA,TP,1608		R360	2007-000090	R-CHIP;10Kohm,5%,1/16W,DA,TP,1608	
R256	2007-001179	R-CHIP;8.2Kohm,5%,1/16W,DA,TP,1608		R361	2007-000102	R-CHIP;100Kohm,5%,1/16W,DA,TP,1608	
R257	2007-000090	R-CHIP;10Kohm,5%,1/16W,DA,TP,1608		R362	2007-000097	R-CHIP;47Kohm,5%,1/16W,DA,TP,1608	
R258	2007-000458	R-CHIP;18Kohm,5%,1/16W,DA,TP,1608		R364	2007-000121	R-CHIP;820ohm,5%,1/16W,DA,TP,1608	
R259	2007-000093	R-CHIP;20Kohm,5%,1/16W,DA,TP,1608		R366	2007-000090	R-CHIP;10Kohm,5%,1/16W,DA,TP,1608	
R261	2007-000078	R-CHIP;1Kohm,5%,1/16W,DA,TP,1608		R367	2007-000091	R-CHIP;12Kohm,5%,1/16W,DA,TP,1608	
R262	2007-000090	R-CHIP;10Kohm,5%,1/16W,DA,TP,1608		R368	2007-000078	R-CHIP;1Kohm,5%,1/16W,DA,TP,1608	
R263	2007-000078	R-CHIP;1Kohm,5%,1/16W,DA,TP,1608		R369	2007-000078	R-CHIP;1Kohm,5%,1/16W,DA,TP,1608	
R264	2007-000078	R-CHIP;1Kohm,5%,1/16W,DA,TP,1608		R371	2007-000097	R-CHIP;47Kohm,5%,1/16W,DA,TP,1608	
R265	2007-000123	R-CHIP;1.5Kohm,5%,1/16W,DA,TP,1608		R381	2007-000084	R-CHIP;4.7Kohm,5%,1/16W,DA,TP,1608	
R266	2007-000078	R-CHIP;1Kohm,5%,1/16W,DA,TP,1608		R382	2007-000078	R-CHIP;1Kohm,5%,1/16W,DA,TP,1608	
R267	2007-000078	R-CHIP;1Kohm,5%,1/16W,DA,TP,1608		R396	2007-000458	R-CHIP;18Kohm,5%,1/16W,DA,TP,1608	
R268	2007-000122	R-CHIP;1.2Kohm,5%,1/16W,DA,TP,1608		X201	2801-003240	CRYSTAL-SMD;4.433619M Hz,20ppm,28-ABN,SER	
R269	2007-000120	R-CHIP;680ohm,5%,1/16W,DA,TP,1608					
R270	2007-000120	R-CHIP;680ohm,5%,1/16W,DA,TP,1608					
R271	2007-000118	R-CHIP;390ohm,5%,1/16W,DA,TP,1608					
R272	2007-000090	R-CHIP;10Kohm,5%,1/16W,DA,TP,1608		154	AD90-10828G	ASSY-CCD BOARD;VP-L10,S8C-PAL-CCD	VP-L100/VP-L150
R273	2007-000078	R-CHIP;1Kohm,5%,1/16W,DA,TP,1608		154	AD90-10831H	ASSY-CCD BOARD;SC-L100/BASIC,NTSC 3	SCL150/SCL100
R274	2007-000120	R-CHIP;680ohm,5%,1/16W,DA,TP,1608		CC01	2203-000140	C-CERAM IC,CHIP;1.5nF,10%,50V,X7R,1608,-	
R275	2007-000078	R-CHIP;1Kohm,5%,1/16W,DA,TP,1608		CC02	2203-001556	C-CERAM IC,CHIP;100nF,+80-20%,25V,Y5V,TP	
R276	2007-000078	R-CHIP;1Kohm,5%,1/16W,DA,TP,1608		CC03	2404-000212	C-TA,CHIP;3.3uF,20%,25V,-,3528,-,TP	
R277	2007-000084	R-CHIP;4.7Kohm,5%,1/16W,DA,TP,1608		CC04	2203-001556	C-CERAM IC,CHIP;100nF,+80-20%,25V,Y5V,TP	
R278	2007-000081	R-CHIP;2.7Kohm,5%,1/16W,DA,TP,1608		CC05	2404-000212	C-TA,CHIP;3.3uF,20%,25V,-,3528,-,TP	
R279	2007-000123	R-CHIP;1.5Kohm,5%,1/16W,DA,TP,1608		CC06	2203-001556	C-CERAM IC,CHIP;100nF,+80-20%,25V,Y5V,TP	
R280	2007-000121	R-CHIP;820ohm,5%,1/16W,DA,TP,1608		CC07	2203-000257	C-CERAM IC,CHIP;10nF,10%,50V,X7R,1608,-T	
R281	2007-000121	R-CHIP;820ohm,5%,1/16W,DA,TP,1608		CC10	2404-000212	C-TA,CHIP;3.3uF,20%,25V,-,3528,-,TP	
R283	2007-000079	R-CHIP;1.8Kohm,5%,1/16W,DA,TP,1608		CNC01	3711-003315	CONNECTOR-HEADER;BOX,18P,2R,0.8MM,SMD-A	
R284	2007-000119	R-CHIP;560ohm,5%,1/16W,DA,TP,1608		DC01	0401-000171	DIODE-SWITCHING;M A111,80V,100mA,-,3nS,SM	
R285	2007-000078	R-CHIP;1Kohm,5%,1/16W,DA,TP,1608		DC02	0401-000171	DIODE-SWITCHING;M A111,80V,100mA,-,3nS,SM	
R286	2007-000078	R-CHIP;1Kohm,5%,1/16W,DA,TP,1608		LC01	2703-000399	INDUCTOR-SMD;D:100uH,10%,3.2x2.5x2.2mm	
R287	2007-000078	R-CHIP;1Kohm,5%,1/16W,DA,TP,1608		QC01	0505-000180	FET-SILICON;2SK1070PIETR,-,150MW,SOT	
R288	2007-000078	R-CHIP;1Kohm,5%,1/16W,DA,TP,1608		RC01	2007-000109	R-CHIP;1M ohm,5%,1/16W,DA,TP,1608	
R289	2007-000078	R-CHIP;1Kohm,5%,1/16W,DA,TP,1608		RC02	2007-000074	R-CHIP;100ohm,5%,1/16W,DA,TP,1608	
R291	2007-000078	R-CHIP;1Kohm,5%,1/16W,DA,TP,1608		RC03	2007-000125	R-CHIP;3.9Kohm,5%,1/16W,DA,TP,1608	
R292	2007-000078	R-CHIP;1Kohm,5%,1/16W,DA,TP,1608		RC05	2007-000102	R-CHIP;100Kohm,5%,1/16W,DA,TP,1608	
R294	2007-000077	R-CHIP;470ohm,5%,1/16W,DA,TP,1608		RC06	2007-000102	R-CHIP;100Kohm,5%,1/16W,DA,TP,1608	

Loc.No	Part No	Desc & Spec	Remark	Loc.No	Part No	Desc & Spec	Remark
198	AD90-10810Q	ASSY-EVF BOARD;VP-L90,PAL	VP-L100/VP-L150	CL107	2404-000212	C-TA,CHIP:3.3uF,20%,25V,-,3528,-,TP	
198	AD90-10810R	ASSY-EVF BOARD;SCL90,NTSC	SCL150/SCL100	CL108	2404-000151	C-TA,CHIP:1uF,20%,16V,-,TP,3216,-	
CE01	2203-000308	C-CERAMIC,CHIP:120PF,5%,50V,NPO,TP,1608,		CL109	2404-000159	C-TA,CHIP:1uF,20%,35V,-,TP,3528,-	
CE02	2203-000477	C-CERAMIC,CHIP:1uF,+80-20%,16V,Y5V,TP,20		CL110	2404-000212	C-TA,CHIP:3.3uF,20%,25V,-,3528,-,TP	
CE03	2404-000112	C-TA,CHIP:100uF,20%,6.3V,WT,7343,-,TP		CL137	2404-000112	C-TA,CHIP:100uF,20%,6.3V,WT,7343,-,TP	
CE04	2203-000888	C-CERAMIC,CHIP:4.7nF,10%,50V,X7R,TP,1608		CL138	2203-001556	C-CERAMIC,CHIP:100nF,+80-20%,25V,Y5V,TP,	
CE05	2404-000175	C-TA,CHIP:2.2uF,20%,6.3V,WT,3216,1.1mm,T		CL148	2301-001051	C-FILM,CHIP:56nF,5%,50V,TP,4.8X3.3X1.4,0	
CE06	2306-000116	C-FILM,MPPF;100nF,5%,16V,C3225,2.5mm,TP		CL150	2203-005233	C-CERAMIC,CHIP:27PF,5%,3KV,CH,TP,4520,-	
CE07	2203-001556	C-CERAMIC,CHIP:100nF,+80-20%,25V,Y5V,TP,		CL157	2404-000139	C-TA,CHIP:10uF,20%,6.3V,-,3216,-,TP	
CE08	2404-000128	C-TA,CHIP:10uF,20%,16V,-,TP,6032,-		CL158	2203-001556	C-CERAMIC,CHIP:100nF,+80-20%,25V,Y5V,TP,	
CE09	2203-000357	C-CERAMIC,CHIP:150PF,5%,50V,NPO,TP,1608,		CL160	2404-000112	C-TA,CHIP:100uF,20%,6.3V,WT,7343,-,TP	
CE10	2402-000144	C-AL,SMD;3.3uF,20%,50V,GP,4x5.4mm,-,TP		CL161	2203-001556	C-CERAMIC,CHIP:100nF,+80-20%,25V,Y5V,TP,	
CE11	2203-000477	C-CERAMIC,CHIP:1uF,+80-20%,16V,Y5V,TP,20		CL201	2203-001556	C-CERAMIC,CHIP:100nF,+80-20%,25V,Y5V,TP,	
CE12	2404-000112	C-TA,CHIP:100uF,20%,6.3V,WT,7343,-,TP		CL203	2404-000198	C-TA,CHIP:22uF,20%,6.3V,-,TP,3528,-	
CE13	2404-000112	C-TA,CHIP:100uF,20%,6.3V,WT,7343,-,TP		CL204	2203-001556	C-CERAMIC,CHIP:100nF,+80-20%,25V,Y5V,TP,	
CE14	2404-000112	C-TA,CHIP:100uF,20%,6.3V,WT,7343,-,TP		CL207	2404-000151	C-TA,CHIP:1uF,20%,16V,-,TP,3216,-	
CE15	2309-000143	C-FILM,CHIP:3.9nF,5%,100V,-,TP		CL208	2203-000257	C-CERAMIC,CHIP:10nF,10%,50V,X7R,1608,-,T	
CE16	2203-001556	C-CERAMIC,CHIP:100nF,+80-20%,25V,Y5V,TP,		CL209	2203-001103	C-CERAMIC,CHIP:6.8nF,10%,50V,X7R,TP,1608	
CE17	2402-000144	C-AL,SMD;3.3uF,20%,50V,GP,4x5.4mm,-,TP		CL210	2404-000167	C-TA,CHIP:2.2uF,20%,16V,-,TP,3216,-	
CNE01	3711-000862	CONNECTOR-HEADER;BOX,3P,1R,1.25mm,SMD-A,		CL211	2203-000257	C-CERAMIC,CHIP:10nF,10%,50V,X7R,1608,-,T	
CNE02	3711-002173	CONNECTOR-HEADER;BOX,4P,1R,1.5,STRAIGHT,		CL212	2203-000257	C-CERAMIC,CHIP:10nF,10%,50V,X7R,1608,-,T	
DE01	0407-000151	DIODE-ARRAY;MA153,40V,100mA,C2-3,SOT-23,		CL213	2203-000257	C-CERAMIC,CHIP:10nF,10%,50V,X7R,1608,-,T	
DE02	0401-000173	DIODE-SWITCHING;MA151K,40V,100mA,-,3nS,S		CL214	2203-000257	C-CERAMIC,CHIP:10nF,10%,50V,X7R,1608,-,T	
DE03	0401-000166	DIODE-SWITCHING;MA158-TX,200V,100mA,-,-,		CL215	2203-000257	C-CERAMIC,CHIP:10nF,10%,50V,X7R,1608,-,T	
ICE01	AC14-12006W	IC-LINEAR;KA7007,SOP,-		CL216	2203-000257	C-CERAMIC,CHIP:10nF,10%,50V,X7R,1608,-,T	
LE01	2703-000409	INDUCTOR-SMD;47uH,10%,3.2x2.5x2.2mm		CL217	2203-000257	C-CERAMIC,CHIP:10nF,10%,50V,X7R,1608,-,T	
QE01	0501-000674	TR-SMALL SIGNAL;2SA1179,PNP,200MW,SOT-23		CL218	2203-000257	C-CERAMIC,CHIP:10nF,10%,50V,X7R,1608,-,T	
QE02	0501-000238	TR-SMALL SIGNAL;2SD968A,NPN,1W,SC-62,-,1		CL219	2203-000257	C-CERAMIC,CHIP:10nF,10%,50V,X7R,1608,-,T	
QE03	0501-000674	TR-SMALL SIGNAL;2SA1179,PNP,200MW,SOT-23		CL221	2203-000477	C-CERAMIC,CHIP:1uF,+80-20%,16V,Y5V,TP,20	
RE01	2007-000637	R-CHIP;270Kohm,5%,1/16W,DA,TP,1608		CL224	2203-000477	C-CERAMIC,CHIP:1uF,+80-20%,16V,Y5V,TP,20	
RE02	2007-000113	R-CHIP;33ohm,5%,1/16W,DA,TP,1608		CL225	2203-000477	C-CERAMIC,CHIP:1uF,+80-20%,16V,Y5V,TP,20	
RE03	2007-000084	R-CHIP;4.7Kohm,5%,1/16W,DA,TP,1608		CL226	2203-000477	C-CERAMIC,CHIP:1uF,+80-20%,16V,Y5V,TP,20	
RE04	2007-000107	R-CHIP;470Kohm,5%,1/16W,DA,TP,1608		CL227	2404-000139	C-TA,CHIP:10uF,20%,6.3V,-,3216,-,TP	
RE05	2007-000102	R-CHIP;100Kohm,5%,1/16W,DA,TP,1608		CL228	2203-001121	C-CERAMIC,CHIP:680PF,10%,50V,X7R,1608,-,	
RE06	2007-000097	R-CHIP;47Kohm,5%,1/16W,DA,TP,1608		CL229	2203-001556	C-CERAMIC,CHIP:100nF,+80-20%,16V,Y5V,TP,20	
RE07	2007-000637	R-CHIP;270Kohm,5%,1/16W,DA,TP,1608		CL230	2203-000257	C-CERAMIC,CHIP:10nF,10%,50V,X7R,1608,-,T	
RE08	2007-000074	R-CHIP;100ohm,5%,1/16W,DA,TP,1608		CL231	2203-002220	C-CERAMIC,CHIP:56PF,5%,50V,CH,TP,1608,-	
RE09	2007-000695	R-CHIP;3.3ohm,5%,1/16W,DA,TP,1608		CL232	2203-000257	C-CERAMIC,CHIP:10nF,10%,50V,X7R,1608,-,T	
RE10	2007-000079	R-CHIP;1.8Kohm,5%,1/16W,DA,TP,1608		CL233	2203-000062	C-CERAMIC,CHIP:47nF,+80-20%,50V,NPO,TP,1608	
RE11	B1335-0002	THERMISTOR-CHIP;NTC CS 3216 3BH 471KC 47		CL234	2203-000257	C-CERAMIC,CHIP:10nF,10%,50V,X7R,1608,-,T	
RE12	2007-000931	R-CHIP;470ohm,5%,1/10W,DA,TP,2012		CL235	2203-000257	C-CERAMIC,CHIP:10nF,10%,50V,X7R,1608,-,T	
RE13	2007-000078	R-CHIP;1Kohm,5%,1/16W,DA,TP,1608		CL236	2203-001697	C-CERAMIC,CHIP:82PF,5%,50V,CH,TP,1608,1	
RE14	2007-000081	R-CHIP;2.7Kohm,5%,1/16W,DA,TP,1608		CL237	2203-001556	C-CERAMIC,CHIP:100nF,+80-20%,25V,Y5V,TP,	
RE15	2007-000965	R-CHIP;5.1Kohm,5%,1/16W,DA,TP,1608		CL239	2203-000257	C-CERAMIC,CHIP:10nF,10%,50V,X7R,1608,-,T	
RE16	2007-000078	R-CHIP;1Kohm,5%,1/16W,DA,TP,1608		CL240	2404-000250	C-TA,CHIP:470nF,20%,25V,-,TP,3216,-	
RE17	2007-001056	R-CHIP;6.2Kohm,5%,1/16W,DA,TP,1608		CL242	2203-001688	C-CERAMIC,CHIP:7PF,0.5PF,50V,CH,TP,1608,	
RE18	2007-000101	R-CHIP;82Kohm,5%,1/16W,DA,TP,1608		CL245	2203-000626	C-CERAMIC,CHIP:22pF,5%,50V,NPO,TP,1608,-	
RE19	2007-001179	R-CHIP;8.2Kohm,5%,1/16W,DA,TP,1608		CL304	2404-000198	C-TA,CHIP:22uF,20%,6.3V,-,TP,3528,-	
RE20	2007-000130	R-CHIP;39Kohm,5%,1/16W,DA,TP,1608		CL309	2203-001556	C-CERAMIC,CHIP:100nF,+80-20%,25V,Y5V,TP,	
RE21	2007-000070	R-CHIP;0ohm,5%,1/16W,DA,TP,1608		CL310	2203-001703	C-CERAMIC,CHIP:560PF,10%,50V,X7R,TP,1608	
RE22	2007-000082	R-CHIP;3.3Kohm,5%,1/16W,DA,TP,1608		CL311	2203-001556	C-CERAMIC,CHIP:100nF,+80-20%,25V,Y5V,TP,	
RE23	2007-000029	R-CHIP;0ohm,5%,1/10W,DA,TP,2012		CL312	2203-000440	C-CERAMIC,CHIP:1nF,10%,50V,X7R,1608,-,TP	
RE24	2007-000029	R-CHIP;0ohm,5%,1/10W,DA,TP,2012		CL313	2203-001556	C-CERAMIC,CHIP:100nF,+80-20%,25V,Y5V,TP,	
RE25	2007-000689	R-CHIP;3.3MOHM,5%,1/10W,DA,TP,2012		CL314	2203-001697	C-CERAMIC,CHIP:82PF,5%,50V,CH,TP,1608,1	
RE26	2007-000689	R-CHIP;3.3MOHM,5%,1/10W,DA,TP,2012		CL315	2404-000232	C-TA,CHIP:4.7uF,20%,10V,WT,3216,-,TP	
RE27	2007-000462	R-CHIP;18ohm,5%,1/10W,DA,TP,2012		CL316	2404-000139	C-TA,CHIP:10uF,20%,6.3V,-,3216,-,TP	
VRE01	2104-001014	VR-SMD;50KOHM,25%,0.15W,TOP		CL317	2203-001556	C-CERAMIC,CHIP:100nF,+80-20%,25V,Y5V,TP,	
VRE02	2104-001013	VR-SMD;220ohm,25%,0.15W,TOP		CL318	2404-000128	C-TA,CHIP:10uF,20%,16V,-,TP,6032,-	
VRE03	2104-000178	VR-SMD;1MOHM,30%,1/20W,TOP		CL319	2203-001556	C-CERAMIC,CHIP:100nF,+80-20%,25V,Y5V,TP,	
CE18	2201-000911	C-CERAMIC,DISC;1.2NF,10%,1KV,Y5P,BK,10X5		CL324	2203-001556	C-CERAMIC,CHIP:100nF,+80-20%,25V,Y5V,TP,	
CNE03	AC03-12001B	SOCKET-CRT;SOCKET FINDER,P10 40M,-,-,-		CL325	2203-000199	C-CERAMIC,CHIP:100nF,+80-20%,50V,Z5U,TP,	
FTB01	AC26-32001B	TRANS-FLYBACK;ECX-C2806D,0.6INCH,4.8V		CL326	2203-001556	C-CERAMIC,CHIP:100nF,+80-20%,25V,Y5V,TP,	
LE02	AC27-32001B	COIL-LINEARITY;230UH-15%,PI0.12,T,-,-		CL327	2203-001556	C-CERAMIC,CHIP:100nF,+80-20%,25V,Y5V,TP,	
				CL328	2203-001556	C-CERAMIC,CHIP:100nF,+80-20%,25V,Y5V,TP,	
				CL329	2203-000491	C-CERAMIC,CHIP:2.2nF,10%,50V,X7R,TP,1608	
141	AD90-10828B	ASSY-LCD BOARD;VP-L100,PAL 3	VP-L100/VP-L150	CL331	2404-000133	C-TA,CHIP:10uF,20%,25V,-,TP,7343,-	
141	AD90-10831J	ASSY-LCD BOARD;SCL-L100/BASIC,NTSC 3	SCL150/SCL100	CL340	2404-000139	C-TA,CHIP:10uF,20%,6.3V,-,3216,-,TP	
CL101	2203-001556	C-CERAMIC,CHIP:100nF,+80-20%,25V,Y5V,TP,		CNL102	3708-000402	CONNECTOR-FPC/FC/PIC;10P,0.8MM,ANGLE,SN	
CL102	2203-001556	C-CERAMIC,CHIP:100nF,+80-20%,25V,Y5V,TP,		CNL201	3708-001184	CONNECTOR-FPC/FC/PIC;18P,0.8mm,SMD-A,SN	
CL103	2203-001556	C-CERAMIC,CHIP:100nF,+80-20%,25V,Y5V,TP,		CNL301	3708-001181	CONNECTOR-FPC/FC/PIC;26P,0.5MM,SMD-A,SN	
CL104	2203-001556	C-CERAMIC,CHIP:100nF,+80-20%,25V,Y5V,TP,		DL302	0405-000123	DIODE-VARIABLE;1T369,34V,10nA,DSM,TP	
CL105	2203-000477	C-CERAMIC,CHIP:1uF,+80-20%,16V,Y5V,TP,20		DL303	0401-000171	DIODE-SWITCHING;MA111,80V,100mA,-,3nS,SM	
CL106	2203-000477	C-CERAMIC,CHIP:1uF,+80-20%,16V,Y5V,TP,20		ICL101	1201-001086	IC-OP AMP;75558,SOP,5P,62.9MIL,DUAL,100	

Electrical Parts List

Loc.No	Part No	Desc & Spec	Remark	Loc.No	Part No	Desc & Spec	Remark
ICL201	AC14-12009X	IC;MB88346B,VSOP,-		RL250	2007-000090	R-CHIP;10Kohm,5%,1/16W,DA,TP,1608	
ICL202	AC11-12001G	IC-EEPROM;AT24C02N-10SC,QFP,-		RL251	2007-000090	R-CHIP;10Kohm,5%,1/16W,DA,TP,1608	
ICL203	AC14-12014X	IC-LINEAR;CXA1785R-T4,VQFP,-		RL252	2007-000084	R-CHIP;4.7Kohm,5%,1/16W,DA,TP,1608	
ICL301	1201-001050	IC-OP AMP;4556,SOP,8P,173MIL,18V,100dB,P		RL253	2007-000075	R-CHIP;220ohm,5%,1/16W,DA,TP,1608	
ICL303	1003-001098	IC-LCD CONTROLLER;CM7013L2-T4,QFP,48P,-		RL254	2007-000123	R-CHIP;1.5Kohm,5%,1/16W,DA,TP,1608	
LL101	2703-000399	INDUCTOR-SMD;100uH,10%,3.2x2.5x2.2mm		RL255	2007-000124	R-CHIP;2.2Kohm,5%,1/16W,DA,TP,1608	
LL102	2703-000407	INDUCTOR-SMD;330uH,10%,3.2x2.5x2.2mm		RL256	2007-000123	R-CHIP;1.5Kohm,5%,1/16W,DA,TP,1608	
LL103	2703-000407	INDUCTOR-SMD;330uH,10%,3.2x2.5x2.2mm		RL259	2007-000075	R-CHIP;220ohm,5%,1/16W,DA,TP,1608	
LL104	2703-000411	INDUCTOR-SMD;4B3T,NTBA,-,GERMANY,-,-,-,-		RL260	2007-000070	R-CHIP;0ohm,5%,1/16W,DA,TP,1608	
LL109	2703-000414	INDUCTOR-SMD;22uH,20%,7x7x3.2mm		RL261	2007-000090	R-CHIP;10Kohm,5%,1/16W,DA,TP,1608	
LL115	2703-000414	INDUCTOR-SMD;22uH,20%,7x7x3.2mm		RL262	2007-001007	R-CHIP;51Kohm,1%,1/16W,DA,TP,1608	
LL202	2703-000398	INDUCTOR-SMD;10UH,10%,3.2X2.5X2.2MM		RL263	2007-000651	R-CHIP;220ohm,1%,1/16W,DA,TP,1608	
LL205	AC27-92001G	COIL-TRAP;4.43MHZ,56PF,303AN-K5031NK=P3,		RL270	2007-000078	R-CHIP;1Kohm,5%,1/16W,DA,TP,1608	
LL206	2703-000365	INDUCTOR-SMD;15uH,5%,2.5x2x1.8mm		RL271	2007-000078	R-CHIP;1Kohm,5%,1/16W,DA,TP,1608	
LL301	2703-000398	INDUCTOR-SMD;10UH,10%,3.2X2.5X2.2MM		RL276	2007-000090	R-CHIP;10Kohm,5%,1/16W,DA,TP,1608	
LL302	2703-000365	INDUCTOR-SMD;15uH,5%,2.5x2x1.8mm		RL302	2007-000066	R-CHIP;220ohm,1%,1/16W,DA,TP,1608	
LL304	2703-000398	INDUCTOR-SMD;10UH,10%,3.2X2.5X2.2MM		RL303	2007-000455	R-CHIP;18Kohm,1%,1/16W,DA,TP,1608	
LL306	2703-000398	INDUCTOR-SMD;10UH,10%,3.2X2.5X2.2MM		RL304	2007-000614	R-CHIP;24Kohm,1%,1/16W,DA,TP,1608	
QL103	0504-000177	TR-DIGITAL;DTC143EUA,NPN,200MW,4.7K-4.7K		RL305	2007-000090	R-CHIP;10Kohm,5%,1/16W,DA,TP,1608	
QL108	0502-000435	TR-POWER;2SD18980,NPN,500MW,SOT-89,TP,1		RL307	2007-000084	R-CHIP;4.7Kohm,5%,1/16W,DA,TP,1608	
QL109	0502-000435	TR-POWER;2SD18980,NPN,500MW,SOT-89,TP,1		RL308	2007-000100	R-CHIP;68Kohm,5%,1/16W,DA,TP,1608	
QL110	0506-000148	TR-ARRAY;UM T2N,PNP,2,-50V,-40V,-100MA,3		RL309	2007-000084	R-CHIP;4.7Kohm,5%,1/16W,DA,TP,1608	
QL203	0501-000162	TR-SMALL SIGNAL;2SA1576,PNP,200MW,SC-70,		RL310	2007-000097	R-CHIP;47Kohm,5%,1/16W,DA,TP,1608	
QL204	0501-000162	TR-SMALL SIGNAL;2SA1576,PNP,200MW,SC-70,		RL311	2007-000094	R-CHIP;22Kohm,5%,1/16W,DA,TP,1608	
RL104	2007-000102	R-CHIP;100Kohm,5%,1/16W,DA,TP,1608		RL312	2007-000100	R-CHIP;68Kohm,5%,1/16W,DA,TP,1608	
RL105	2007-000084	R-CHIP;4.7Kohm,5%,1/16W,DA,TP,1608		RL313	2007-000109	R-CHIP;1M ohm,5%,1/16W,DA,TP,1608	
RL106	2007-000458	R-CHIP;18Kohm,5%,1/16W,DA,TP,1608		RL314	2007-000090	R-CHIP;10Kohm,5%,1/16W,DA,TP,1608	
RL107	2007-000239	R-CHIP;1.5Kohm,1%,1/16W,DA,TP,1608		RL315	2007-000052	R-CHIP;10Kohm,1%,1/16W,DA,TP,1608	
RL108	2007-000616	R-CHIP;24Kohm,5%,1/16W,DA,TP,1608		RL316	2007-000100	R-CHIP;68Kohm,5%,1/16W,DA,TP,1608	
RL136	2007-000122	R-CHIP;1.2Kohm,5%,1/16W,DA,TP,1608		RL317	2007-000130	R-CHIP;39Kohm,5%,1/16W,DA,TP,1608	
RL137	2007-000122	R-CHIP;1.2Kohm,5%,1/16W,DA,TP,1608		RL318	2007-000052	R-CHIP;10Kohm,1%,1/16W,DA,TP,1608	
RL140	2007-000124	R-CHIP;2.2Kohm,5%,1/16W,DA,TP,1608		RL320	2007-000097	R-CHIP;47Kohm,5%,1/16W,DA,TP,1608	
RL141	2007-000116	R-CHIP;120ohm,5%,1/16W,DA,TP,1608		RL321	2007-000805	R-CHIP;36Kohm,5%,1/16W,DA,TP,1608	
RL142	2007-000078	R-CHIP;1Kohm,5%,1/16W,DA,TP,1608		RL322	2007-000239	R-CHIP;1.5Kohm,1%,1/16W,DA,TP,1608	
RL201	2007-000078	R-CHIP;1Kohm,5%,1/16W,DA,TP,1608		RL323	2007-000070	R-CHIP;0ohm,5%,1/16W,DA,TP,1608	
RL202	2007-000102	R-CHIP;100Kohm,5%,1/16W,DA,TP,1608		RL326	2007-000070	R-CHIP;0ohm,5%,1/16W,DA,TP,1608	
RL203	2007-000102	R-CHIP;100Kohm,5%,1/16W,DA,TP,1608		RL327	2007-000772	R-CHIP;33Kohm,1%,1/16W,DA,TP,1608	
RL204	2007-000090	R-CHIP;10Kohm,5%,1/16W,DA,TP,1608		RL330	2007-000078	R-CHIP;1Kohm,5%,1/16W,DA,TP,1608	
RL205	2007-000090	R-CHIP;10Kohm,5%,1/16W,DA,TP,1608		SWL101	3403-000126	SWITCH-PUSH;12V,100MA,-,-	
RL207	2007-000090	R-CHIP;10Kohm,5%,1/16W,DA,TP,1608		TL103	AD26-82001A	TRANS-INVERTER;-5V,46.1KHz,ETJ IJK 59AM	
RL208	2007-000090	R-CHIP;10Kohm,5%,1/16W,DA,TP,1608		XL201	2801-003126	CRYSTAL-SMD;4.433619MHz,30ppm,28-ABN,16p	
RL209	2007-001114	R-CHIP;680Kohm,5%,1/16W,DA,TP,1608					
RL210	2007-000133	R-CHIP;330Kohm,5%,1/16W,DA,TP,1608					
RL212	2007-000643	R-CHIP;270ohm,5%,1/16W,DA,TP,1608		172	AD90-10828M	ASSY-REAR BOARD;VP-L1Q/BASIC,PAL,NOR,MON	
RL213	2007-000828	R-CHIP;39Kohm,1%,1/16W,DA,TP,1608		CN961	3710-000395	CONNECTOR-SOCKET;24P,2R,0.8MM,STRAIGHT,S	
RL214	2007-001038	R-CHIP;56Kohm,1%,1/16W,DA,TP,1608		CN962	3710-000413	CONNECTOR-SOCKET;14P,2R,0.8mm,STRAIGHT,S	
RL215	2007-000455	R-CHIP;18Kohm,5%,1/16W,DA,TP,1608		PS901	3601-001049	FUSE-SMD;125V,2A,FAST ACTING,CERAMIC,6	
RL216	2007-001026	R-CHIP;560Kohm,5%,1/16W,DA,TP,1608		Q961	0501-000218	TR-SMALL SIGNAL;2SC4081,NPN,200mW,UM,T,TP	
RL217	2007-000939	R-CHIP;47Kohm,1%,1/16W,DA,TP,1608		R961	2007-000642	R-CHIP;270ohm,5%,1/10W,DA,TP,2012	
RL218	2007-000828	R-CHIP;39Kohm,1%,1/16W,DA,TP,1608		R962	2007-000300	R-CHIP;10Kohm,5%,1/10W,DA,TP,2012	
RL219	2007-000097	R-CHIP;47Kohm,5%,1/16W,DA,TP,1608		R963	2007-000468	R-CHIP;1Kohm,5%,1/10W,DA,TP,2012	
RL220	2007-000097	R-CHIP;47Kohm,5%,1/16W,DA,TP,1608		R964	2007-000449	R-CHIP;180ohm,5%,1/10W,DA,TP,2012	
RL221	2007-000097	R-CHIP;47Kohm,5%,1/16W,DA,TP,1608		R965	2007-000694	R-CHIP;3.3ohm,5%,1/10W,DA,TP,2012	
RL222	2007-000097	R-CHIP;47Kohm,5%,1/16W,DA,TP,1608		R966	2007-000931	R-CHIP;470ohm,5%,1/10W,DA,TP,2012	
RL224	2007-000074	R-CHIP;100ohm,5%,1/16W,DA,TP,1608		R967	2007-000931	R-CHIP;470ohm,5%,1/10W,DA,TP,2012	
RL225	2007-000805	R-CHIP;36Kohm,5%,1/16W,DA,TP,1608		SW962	3404-001010	SWITCH-TACT;12V,5MA,250GF,8.6°ø6.3°ø5.0M	
RL226	2007-000097	R-CHIP;47Kohm,5%,1/16W,DA,TP,1608		SW963	3404-001031	SWITCH-TACT;15V,20MA,100GF,4.9X4.9X1.5MM	
RL233	2007-000084	R-CHIP;4.7Kohm,5%,1/16W,DA,TP,1608		BT961	AD61-30197A	PLATE-TERMINAL +-,-S-F RM23,T0.5,OD20.7*	
RL234	2007-000097	R-CHIP;47Kohm,5%,1/16W,DA,TP,1608		BT962	AD61-30197A	PLATE-TERMINAL +-,-S-F RM23,T0.5,OD20.7*	
RL235	2007-000097	R-CHIP;47Kohm,5%,1/16W,DA,TP,1608		LI961	AC43-12002P	BATTERY;VL2330-1HF,3V,OD23XH3.0	
RL236	2007-000074	R-CHIP;100ohm,5%,1/16W,DA,TP,1608		SW961	3408-001019	SWITCH-SLIDE;12V,100mA,SPST,ON-OFF,-	
RL237	2007-000074	R-CHIP;100ohm,5%,1/16W,DA,TP,1608		VR961	2101-001018	VR-ROTARY;50KOHM,30%,0.03W,TOP	
RL238	2007-000074	R-CHIP;100ohm,5%,1/16W,DA,TP,1608					
RL239	2007-000070	R-CHIP;0ohm,5%,1/16W,DA,TP,1608					
RL240	2007-000305	R-CHIP;10M ohm,5%,1/16W,DA,TP,1608					
RL241	2007-000087	R-CHIP;6.8Kohm,5%,1/16W,DA,TP,1608					
RL242	2007-000087	R-CHIP;6.8Kohm,5%,1/16W,DA,TP,1608					
RL243	2007-000109	R-CHIP;1M ohm,5%,1/16W,DA,TP,1608					
RL244	2007-000070	R-CHIP;0ohm,5%,1/16W,DA,TP,1608					
RL245	2007-000086	R-CHIP;5.6Kohm,5%,1/16W,DA,TP,1608		C10	2306-000298	C-FILM,M,PPF;220nF,20%,250V,TP,6.5x5.5x3mm	
RL246	2007-001179	R-CHIP;8.2Kohm,5%,1/16W,DA,TP,1608		C11	2201-000808	C-CERAMIC,DISC;2.2nF,10%,400V,Y5P,12x7.5	
RL247	2007-000090	R-CHIP;10Kohm,5%,1/16W,DA,TP,1608		C12	2201-000808	C-CERAMIC,DISC;2.2nF,10%,400V,Y5P,12x7.5	
RL248	2007-000090	R-CHIP;10Kohm,5%,1/16W,DA,TP,1608		C13	2401-001567	C-L;47uF,20%,400V,WT,-,18x20,10mm	
				C14	2201-000808	C-CERAMIC,DISC;2.2nF,10%,400V,Y5P,12x7.5	

Loc.No	Part No	Desc & Spec	Remark	Loc.No	Part No	Desc & Spec	Remark
C15	2201-000808	C-CERAMIC,DISC:2.2nF,10%,400V,Y5P,12x7.5		R15	2007-001212	R-CHIP;82Kohm,5%,1/8W,DA,TP,3216	
C16	2301-000140	C-FILM,PEF;10nF,10%,630V,16.5x9.5x5.7X,1		R16	2001-001000	R-CARBON;82Kohm,5%,1/8W,AA,TP,1.8x3.2mm	
C17	2203-001537	C-CERAMIC,CHIP;1nF,10%,50V,X7R,TP,2012,-		R17	2003-000307	R-METAL OXIDE;47Kohm,5%,2W,AD,TP,6x16mm	
C18	2401-002180	C-AL;2.2UF,20%,50V,GP,TP,5X11,5MM		R19	2003-000111	R-METAL OXIDE;0.47ohm,5%,1W,AD,TP,4.3x12	
C19	2203-000840	C-CERAMIC,CHIP;390PF,5%,50V,NPO,TP,2012,		R20	2007-000572	R-CHIP;220ohm,5%,1/10W,DA,TP,2012	
C20	2203-001576	C-CERAMIC,CHIP;150nF,+80-20%,50V,Z5U,TP,		R21	2007-000781	R-CHIP;33ohm,5%,1/10W,DA,TP,2012	
C21	2401-001184	C-AL;33UF,20%,35V,GP,-,6X11,5MM		R22	2007-000248	R-CHIP;1.5Mohm,5%,1/10W,DA,TP,2012	
C22	2401-002168	C-AL;100UF,20%,50V,GP,TP,10X12.5,5M		R24	2007-000781	R-CHIP;33ohm,5%,1/10W,DA,TP,2012	
C23	2203-000199	C-CERAMIC,CHIP;100nF,+80-20%,50V,Z5U,TP,		R25	2007-001177	R-CHIP;8.2Kohm,5%,1/10W,DA,TP,2012	
C50	2401-001591	C-AL;47uF,20%,6.3V,GP,5x7,2.5mm,		R51	2007-000312	R-CHIP;10ohm,5%,1/8W,DA,TP,3216	
C51	2203-001537	C-CERAMIC,CHIP;1nF,10%,50V,X7R,TP,2012,-		R52	2007-000515	R-CHIP;2.7Kohm,1%,1/10W,DA,TP,2012	
C52	2203-001537	C-CERAMIC,CHIP;1nF,10%,50V,X7R,TP,2012,-		R53	2007-000218	R-CHIP;1.2Kohm,1%,1/10W,DA,TP,2012	
C53	2401-001878	C-AL;1000UF,20%,16V,GP,BK,10X20MM,5		R54	2007-000639	R-CHIP;270ohm,1%,1/10W,DA,TP,2012	
C54	2401-001374	C-AL;470UF,20%,16V,WT,TP,10X12.5,2.		R55	2007-000282	R-CHIP;100Kohm,5%,1/10W,DA,TP,2012	
C55	2203-000199	C-CERAMIC,CHIP;100nF,+80-20%,50V,Z5U,TP,		R56	2007-000572	R-CHIP;220ohm,5%,1/10W,DA,TP,2012	
C56	2203-000260	C-CERAMIC,CHIP;10nF,10%,50V,X7R,TP,2012,		R57	2007-000518	R-CHIP;2.7Kohm,5%,1/10W,DA,TP,2012	
C57	2401-001917	C-AL;1UF,20%,50V,-,TP,5X7MM,5		R58	2007-000282	R-CHIP;100Kohm,5%,1/10W,DA,TP,2012	
C59	2401-001952	C-AL;4.7UF,20%,50V,-,TP,6.3X7,5		R59	2007-000361	R-CHIP;12ohm,5%,1/10W,DA,TP,2012	
C60	2203-000478	C-CERAMIC,CHIP;1uF,+80-20%,16V,Y5V,3216,		R60	2007-000928	R-CHIP;470ohm,1%,1/10W,DA,TP,2012	
C61	2203-000199	C-CERAMIC,CHIP;100nF,+80-20%,50V,Z5U,TP,		R61	2007-000218	R-CHIP;1.2Kohm,1%,1/10W,DA,TP,2012	
C62	2203-001112	C-CERAMIC,CHIP;6.8uF,+80-20%,16V,Y5V,TP,		R62	2007-000868	R-CHIP;4.7Kohm,1%,1/10W,DA,TP,2012	
C64	2201-000913	C-CERAMIC,DISC;100nF,+80-20%,50V,Y5V,TP,		R63	2007-000868	R-CHIP;4.7Kohm,1%,1/10W,DA,TP,2012	
C65	2202-000780	C-CERAMIC,MLC-AXIAL;100nF,+80-20%,50V,Y5		R64	2007-000658	R-CHIP;27ohm,5%,1/10W,DA,TP,2012	
C66	2203-000199	C-CERAMIC,CHIP;100nF,+80-20%,50V,Z5U,TP,		R65	2003-000102	R-METAL OXIDE;0.1ohm,5%,1W,AD,TP,4.3x12mm	
C67	2203-000199	C-CERAMIC,CHIP;100nF,+80-20%,50V,Z5U,TP,		R66	2007-000355	R-CHIP;12Kohm,5%,1/10W,DA,TP,2012	
CL10	3602-000147	FUSE-CLIP;250V,7.5A,30mohm		R67	2007-000221	R-CHIP;1.2Kohm,5%,1/10W,DA,TP,2012	
CL11	3602-000147	FUSE-CLIP;250V,7.5A,30mohm		R68	2007-000493	R-CHIP;2.2Kohm,5%,1/10W,DA,TP,2012	
D10	0402-000386	DIODE-BRIDGE;S1WB60,600V,1A,DIP-4		R69	2007-000931	R-CHIP;470ohm,5%,1/10W,DA,TP,2012	
D11	0402-000391	DIODE-RECTIFIER;ERA22-10,1000V,500MA,MSR		R70	B1004-0442	R-METAL OXIDE;RS 3W N 43J ERG3SJ 430H	
D12	0401-000171	DIODE-SWITCHING;MA111,80V,100mA,-,3nS,SM		R71	2007-000300	R-CHIP;10Kohm,5%,1/10W,DA,TP,2012	
D13	0403-000646	DIODE-ZENER;RD20SB,20V,18.8-21.14V,200mW		R72	2007-000300	R-CHIP;15Kohm,5%,1/10W,DA,TP,2012	
D14	0403-000648	DIODE-ZENER;RD4,7SB,4.7V,4.4-4.92,200mW		R73	2007-000468	R-CHIP;1Kohm,5%,1/10W,DA,TP,2012	
D15	0403-000647	DIODE-ZENER;RD24SB,24V,22.86-25.66V,200mW		R74	B1004-0442	R-METAL OXIDE;RS 3W N 43J ERG3SJ 430H	
D16	0402-000391	DIODE-RECTIFIER;ERA22-10,1000V,500MA,MSR		R75	2007-000409	R-CHIP;15Kohm,5%,1/10W,DA,TP,2012	
D17	0402-000391	DIODE-RECTIFIER;ERA22-10,1000V,500MA,MSR		R76	2007-000409	R-CHIP;15Kohm,5%,1/10W,DA,TP,2012	
D51	0404-000135	DIODE-SCHOTTKY;ESAC85M-009,90V,10A,TO-22		R77	2007-000300	R-CHIP;10Kohm,5%,1/10W,DA,TP,2012	
D52	0402-000165	DIODE-RECTIFIER;1N5819,40V,1A,DO-41,TP		R78	2007-000409	R-CHIP;15Kohm,5%,1/10W,DA,TP,2012	
D53	0407-000114	DIODE-ARRAY;DAN202K,80V,100mA,CA2-3,SOT		R79	2007-000300	R-CHIP;10Kohm,5%,1/10W,DA,TP,2012	
D54	0407-000116	DIODE-ARRAY;DAP202K,80V,100mA,CK2-3,SOT		R80	2007-000822	R-CHIP;390ohm,5%,1/10W,DA,TP,2012	
D55	0401-000171	DIODE-SWITCHING;MA111,80V,100mA,-,3nS,SM		R81	2007-000409	R-CHIP;15Kohm,5%,1/10W,DA,TP,2012	
D57	0403-000649	DIODE-ZENER;RD5,1S,5.1V,4.96-5.22V,200mW		R82	2007-000518	R-CHIP;2.7Kohm,5%,1/10W,DA,TP,2012	
F10	B3065-0202	FUSE;DEMKO FST 250V 1.25A 5X20MM S505 C		R83	2007-000822	R-CHIP;390ohm,5%,1/10W,DA,TP,2012	
IC11	AC14-12011C	IC;FA5304S,TP-92S,3P TAPE		R84	2007-000653	R-CHIP;27Kohm,5%,1/10W,DA,TP,2012	
IC12	AC13-22001B	IC-HYBRID;PC113(LY)-,DIP-		R85	2007-000409	R-CHIP;15Kohm,5%,1/10W,DA,TP,2012	
IC12	B4161-0037	PHOTO-COUPLER;TLP621-GR ST		R86	2007-000653	R-CHIP;27Kohm,5%,1/10W,DA,TP,2012	
IC51	1201-000203	IC-OP AMP;3414,SOP,8P,300MIL,DUAL,-,PLAS		R87	2003-000146	R-METAL OXIDE;100ohm,5%,1W,AD,TP,4.3x12mm	
IC52	AC14-12006R	IC;TK11640N,TP-92S,3P TAPE		R90	2007-000950	R-CHIP;47ohm,5%,1/8W,DA,TP,3216	
J51	3722-000116	JACK-DC POWER;3P,3.5mm,AG,BLACK,-		R91	2007-000950	R-CHIP;47ohm,5%,1/8W,DA,TP,3216	
L10	AC27-32001F	COIL-LINE FILTER;BSF-2123,20MH,20HM,ST,-		R92	2007-000950	R-CHIP;47ohm,5%,1/8W,DA,TP,3216	
L11	A1247-0053	FILTER-EMI BEAD;BFS356SAOL SB 1000HM/100		R93	2007-000950	R-CHIP;47ohm,5%,1/8W,DA,TP,3216	
L51	2702-000112	INDUCTOR-RADIAL;10uH,5%,6x6,4mm		R94	2007-000653	R-CHIP;27Kohm,5%,1/10W,DA,TP,2012	
L52	AC27-12001F	COIL-CHOKE;100UH,J,---,100UH- RA 1KHZ		R95	2007-000221	R-CHIP;1.2Kohm,5%,1/10W,DA,TP,2012	
LED51	B4150-0287	LED-DISPLAY;LN086WP38 ORG/GRN P11.8		R96	2007-000267	R-CHIP;1.8Kohm,5%,1/10W,DA,TP,2012	
PCB01	66029-1084-00	P.C.B-AA-E2N;FR4 CS95 T1.6 W139 L62		R97	2001-000429	R-CARBON ;1KOHM,5%,1/8W,AA,TP,	
PWR01	AC39-12022M	POWER-CORD;CP2,KJ-0201,BLK,YH396-32V,1.8		SW51	3404-000239	SWITCH-TACT;15V,20mA,130+40gf,6x6mm,-	
Q10	0505-001044	FET-SILICON;SSS3N80,N,800V,1.8A,5ohm,35W		T10	AC26-80001F	TRANS-POWER;EI25X19,AC90/260V,50Hz,-	
Q51	0502-000399	TR-POWER;2SB1127S,PNP,-25V,-20V,-5A,1W,		W10	3711-000178	CONNECTOR-HEADER;1WALL,2P,1R,3.96mm,STRA	
Q52	62129-101-110	TRANSISTOR.CHIP;KSR 1102 (REEL)		XT51	64539-102-012	CERAMIC RESONATOR;FCR 4.0M C5	
Q53	0502-000431	TR-POWER;2SB1203S,PNP,-60V,-50V,-5A,1W,		IC53	AD09-12001F	IC-MICOM ;TMP47C241N,STICK,28P	
Q54	62129-101-110	TRANSISTOR.CHIP;KSR 1102 (REEL)					
Q55	0504-000158	TR-DIGITAL;KSR2104,PNP,200M W,47K-47K,SOT					
Q56	0504-000158	TR-DIGITAL;KSR2104,PNP,200M W,47K-47K,SOT					
Q57	0504-000158	TR-DIGITAL;KSR2104,PNP,200M W,47K-47K,SOT					
R01	2007-000029	R-CHIP;0ohm,5%,1/10W,DA,TP,2012		130	AD90-10837Y	ASSY-FRONT BOARD;VP-L150,NOR,MONO	VP-L150/SCL150
R02	2007-000029	R-CHIP;0ohm,5%,1/10W,DA,TP,2012		130	AD90-10833K	ASSY-FRONT BOARD;VP-L100,NOR,MONO	VPL100/SCL100
R03	2007-000029	R-CHIP;0ohm,5%,1/10W,DA,TP,2012		C891	2401-002206	C-AL;47UF,20%,6.3V,GP,TP,5X7,5MM	
R04	2007-000029	R-CHIP;0ohm,5%,1/10W,DA,TP,2012		CN891	AD39-20826F	LEAD CONNECTOR-ASSY;TP,51021,35023,5P,80	
R05	2007-000033	R-CHIP;0ohm,5%,1/8W,DA,TP,3216		CN892	3711-000779	CONNECTOR-HEADER;BOX,2P,1R,1.25MM,ANGLE,	
R06	2007-000033	R-CHIP;0ohm,5%,1/8W,DA,TP,3216		CN893	AD39-20825Y	LEAD CONNECTOR-ASSY;TP,51021,35023,6P,80	
R10	2001-000474	R-CARBON;2.7Mohm,5%,1/4W,AA,TP,2.4x6.4mm		G891	AC39-22018S	SENSOR;---,ENC-05DA,-	
R12	A1014-0079	R-CEMENT;RWC 2W 1 3R3J ST ABCO		G892	AC39-22018T	SENSOR;---,ENC-05DB,-	
R13	2001-001000	R-CARBON;82Kohm,5%,1/8W,AA,TP,1.8x3.2mm		R891	2001-000793	R-CARBON;47ohm,5%,1/8W,AA,TP,1.8x3.2mm	
R14	2001-001000	R-CARBON;82Kohm,5%,1/8W,AA,TP,1.8x3.2mm		RE891	AC59-42001D	MODULE-REM OCION;GP1U901X,38KHZ,940,MESH,-	
				W891	3811-000389	WIRE-NO SHEATH CU;SPCW,300V,52.4mm,1/0.5	
				W892	3811-000389	WIRE-NO SHEATH CU;SPCW,300V,52.4mm,1/0.5	

Electrical Parts List

Loc.No	Part No	Desc & Spec	Remark
112	AD90-10828D	ASSY-FUNCTION BOARD;VP-L10 S8C-PAL,3INCH	VP-L150/VP-L100
CN806	3711-000862	CONNECTOR-HEADER;BOX,3P,1R,1.25mm,SMD-A,	
R825	2007-000454	R-CHIP;18Kohm,1%,1/10W,DA,TP,2012	
R826	2007-000771	R-CHIP;33Kohm,1%,1/10W,DA,TP,2012	
R827	2007-000771	R-CHIP;33Kohm,1%,1/10W,DA,TP,2012	
R828	2007-001124	R-CHIP;68Kohm,1%,1/10W,DA,TP,2012	
SW822	3406-000173	SWITCH-ROTARY;16VDC,100MA,10P10T,5.4MM	
SW823	63519-105-102	SW-TACT.CHIP;SKHMPT017A	
SW824	63519-105-102	SW-TACT.CHIP;SKHMPT017A	

Loc.No	Part No	Desc & Spec	Remark
122	AD90-10828E	ASSY-FUNC MEN BOARD;VP-L10 S8C-PAL,3INCH	VP-L150/VP-L100
CN801	3711-000556	CONNECTOR-HEADER;BOX,12P,1R,1.25mm,SM D-A	
CN802	3711-002612	CONNECTOR-HEADER;3WALL,5P,1R,1.25MM,SMD-	
CN803	3711-000862	CONNECTOR-HEADER;BOX,3P,1R,1.25mm,SMD-A,	
CN804	3711-000541	CONNECTOR-HEADER;BOX,2P,1R,1.25mm,SM D-A,	
J 801	3722-000466	JACK-PHONE;1P/1C,P13.5,AG,BLK,-	
R814	2007-000454	R-CHIP;18Kohm,1%,1/10W,DA,TP,2012	
R815	2007-000771	R-CHIP;33Kohm,1%,1/10W,DA,TP,2012	
R816	2007-000771	R-CHIP;33Kohm,1%,1/10W,DA,TP,2012	
R817	2007-001124	R-CHIP;68Kohm,1%,1/10W,DA,TP,2012	
R818	2007-000277	R-CHIP;100Kohm,1%,1/10W,DA,TP,2012	
R831	2007-000468	R-CHIP;1Kohm,5%,1/10W,DA,TP,2012	
R832	2007-000931	R-CHIP;470ohm,5%,1/10W,DA,TP,2012	
R881	2007-000029	R-CHIP;0ohm,5%,1/10W,DA,TP,2012	
R882	2007-000033	R-CHIP;0ohm,5%,1/8W,DA,TP,3216	
R883	2007-000029	R-CHIP;0ohm,5%,1/10W,DA,TP,2012	
R884	2007-000029	R-CHIP;0ohm,5%,1/10W,DA,TP,2012	
SW811	3404-000241	SWITCH-TACT;15V,20MA,-,6.8X6.2MM,-	
SW812	3404-000241	SWITCH-TACT;15V,20MA,-,6.8X6.2MM,-	
SW813	3404-000241	SWITCH-TACT;15V,20MA,-,6.8X6.2MM,-	
SW814	3404-000241	SWITCH-TACT;15V,20MA,-,6.8X6.2MM,-	
SW815	3404-000241	SWITCH-TACT;15V,20MA,-,6.8X6.2MM,-	
SW825	3403-000126	SWITCH-PUSH;12V,100MA,-,-	

Loc.No	Part No	Desc & Spec	Remark
110	AD90-10828F	ASSY-FUNC VCR BOARD;VP-L10 S8C-PAL,3INCH	
CN805	3711-000541	CONNECTOR-HEADER;BOX,2P,1R,1.25mm,SMD-A,	
R820	2007-000454	R-CHIP;18Kohm,1%,1/10W,DA,TP,2012	
R821	2007-000771	R-CHIP;33Kohm,1%,1/10W,DA,TP,2012	
R822	2007-000771	R-CHIP;33Kohm,1%,1/10W,DA,TP,2012	
R823	2007-001124	R-CHIP;68Kohm,1%,1/10W,DA,TP,2012	
R824	2007-000277	R-CHIP;100Kohm,1%,1/10W,DA,TP,2012	
R833	2007-000931	R-CHIP;470ohm,5%,1/10W,DA,TP,2012	
SW816	3404-001031	SWITCH-TACT;15V,20MA,100GF,4.9X4.9X1.5MM	
SW817	3404-001031	SWITCH-TACT;15V,20MA,100GF,4.9X4.9X1.5MM	
SW818	3404-001031	SWITCH-TACT;15V,20MA,100GF,4.9X4.9X1.5MM	
SW819	3404-001031	SWITCH-TACT;15V,20MA,100GF,4.9X4.9X1.5MM	
SW820	3404-001031	SWITCH-TACT;15V,20MA,100GF,4.9X4.9X1.5MM	
SW821	3404-001031	SWITCH-TACT;15V,20MA,100GF,4.9X4.9X1.5MM	

Loc.No	Part No	Desc & Spec	Remark
--------	---------	-------------	--------

7. Electrical Parts List

Loc.No	Part No	Desc & Spec	Remark	Loc.No	Part No	Desc & Spec	Remark
152	AD90-10824W	ASSY-MAIN BOARD;VP-L10/BASIC,PAL,NOR,MON	VPL100	R716	2007-000091	R-CHIP;12Kohm,5%,1/16W,DA,TP,1608	
152	AD90-10831L	ASSY-MAIN BOARD;SC-L100/BASIC,NTSC,NOR,M	SCL100	R719	2007-000090	R-CHIP;10Kohm,5%,1/16W,DA,TP,1608	
152	AD90-10838T	ASSY-MAIN BOARD;SC-L150/BASIC,NTSC,NOR,M	SCL150	R720	2007-000094	R-CHIP;22Kohm,5%,1/16W,DA,TP,1608	
152	AD90-10838U	ASSY-MAIN BOARD;VP-L150/BASIC,PAL,NOR,MO	VPL150	R721	2007-000691	R-CHIP;3.3Mohm,5%,1/16W,DA,TP,1608	
AUDIO BLOCK				R722	2007-001114	R-CHIP;680Kohm,5%,1/16W,DA,TP,1608	
C701	2203-000257	C-CERAMIC,CHIP;10nF,10%,50V,X7R,1608,-,T		R723	2007-000124	R-CHIP;2.2Kohm,5%,1/16W,DA,TP,1608	
C702	2203-002220	C-CERAMIC,CHIP;56PF,5%,50V,CH,TP,1608,-		R724	2007-000078	R-CHIP;1Kohm,5%,1/16W,DA,TP,1608	
C703	2203-000257	C-CERAMIC,CHIP;10nF,10%,50V,X7R,1608,-,T		R726	2007-000070	R-CHIP;0ohm,5%,1/16W,DA,TP,1608	
C704	2203-000491	C-CERAMIC,CHIP;2.2nF,10%,50V,X7R,TP,1608		R728	2007-000643	R-CHIP;270ohm,5%,1/16W,DA,TP,1608	
C705	2203-000477	C-CERAMIC,CHIP;1uF,+80-20%,16V,Y5V,TP,20		R730	2007-000079	R-CHIP;1.8Kohm,5%,1/16W,DA,TP,1608	
C706	2404-000139	C-TA,CHIP;10uF,20%,6.3V,-,3216,-,TP		R731	2007-000102	R-CHIP;100Kohm,5%,1/16W,DA,TP,1608	
C707	2404-000139	C-TA,CHIP;10uF,20%,6.3V,-,3216,-,TP		R750	2007-000078	R-CHIP;1Kohm,5%,1/16W,DA,TP,1608	
C708	2404-000139	C-TA,CHIP;10uF,20%,6.3V,-,3216,-,TP		R751	2007-000076	R-CHIP;330ohm,5%,1/16W,DA,TP,1608	
C709	2203-000491	C-CERAMIC,CHIP;2.2nF,10%,50V,X7R,TP,1608		R752	2007-000084	R-CHIP;4.7Kohm,5%,1/16W,DA,TP,1608	
C710	2404-000139	C-TA,CHIP;10uF,20%,6.3V,-,3216,-,TP		R753	2007-000077	R-CHIP;470ohm,5%,1/16W,DA,TP,1608	
C711	2203-000477	C-CERAMIC,CHIP;1uF,+80-20%,16V,Y5V,TP,20		R754	2007-000078	R-CHIP;1Kohm,5%,1/16W,DA,TP,1608	
C712	2404-000139	C-TA,CHIP;10uF,20%,6.3V,-,3216,-,TP		R755	2007-000070	R-CHIP;0ohm,5%,1/16W,DA,TP,1608	
C713	2404-000151	C-TA,CHIP;1uF,20%,16V,-,TP,3216,-		R850	2007-000070	R-CHIP;0ohm,5%,1/16W,DA,TP,1608	
C714	2203-000477	C-CERAMIC,CHIP;1uF,+80-20%,16V,Y5V,TP,20		R851	2007-000124	R-CHIP;2.2Kohm,5%,1/16W,DA,TP,1608	
C715	2203-001607	C-CERAMIC,CHIP;220pF,5%,50V,CH,1608,1.6m		R852	2007-000100	R-CHIP;68Kohm,5%,1/16W,DA,TP,1608	
C716	2404-000232	C-TA,CHIP;4.7uF,20%,10V,WT,3216,-,TP		R853	2007-000078	R-CHIP;1Kohm,5%,1/16W,DA,TP,1608	
C717	2203-000477	C-CERAMIC,CHIP;1uF,+80-20%,16V,Y5V,TP,20		R854	2007-000122	R-CHIP;1.2Kohm,5%,1/16W,DA,TP,1608	
C718	2402-001009	C-AL,SMD;100UF,20%,6.3V,GP,TP,5.3X5.3X5		R855	2007-000100	R-CHIP;68Kohm,5%,1/16W,DA,TP,1608	
C719	2203-000477	C-CERAMIC,CHIP;1uF,+80-20%,16V,Y5V,TP,20		R856	2007-000125	R-CHIP;3.9Kohm,5%,1/16W,DA,TP,1608	
C720	2404-000107	C-TA,CHIP;100nF,20%,35V,-,TP,3216,-		R857	2007-000122	R-CHIP;1.2Kohm,5%,1/16W,DA,TP,1608	
C721	2203-000477	C-CERAMIC,CHIP;1uF,+80-20%,16V,Y5V,TP,20		R858	2007-000070	R-CHIP;0ohm,5%,1/16W,DA,TP,1608	
C722	2404-000232	C-TA,CHIP;4.7uF,20%,10V,WT,3216,-,TP		R859	2007-000075	R-CHIP;220ohm,5%,1/16W,DA,TP,1608	
C723	2203-000477	C-CERAMIC,CHIP;1uF,+80-20%,16V,Y5V,TP,20		R860	2007-000655	R-CHIP;27Kohm,5%,1/16W,DA,TP 200	
C724	2203-001556	C-CERAMIC,CHIP;100nF,+80-20%,25V,Y5V,TP		R861	2007-000124	R-CHIP;2.2Kohm,5%,1/16W,DA,TP,1608	
C725	2203-000062	C-CERAMIC,CHIP;47nF,+80-20%,50V,Y5V,1608		R862	2007-000094	R-CHIP;22Kohm,5%,1/16W,DA,TP,1608	
C726	2203-000062	C-CERAMIC,CHIP;47nF,+80-20%,50V,Y5V,1608		R863	2007-000450	R-CHIP;180ohm,5%,1/16W,DA,TP,1608	
C728	2404-000139	C-TA,CHIP;10uF,20%,6.3V,-,3216,-,TP		R864	2007-000078	R-CHIP;1Kohm,5%,1/16W,DA,TP,1608	
C729	2404-000139	C-TA,CHIP;10uF,20%,6.3V,-,3216,-,TP		R865	2007-000084	R-CHIP;4.7Kohm,5%,1/16W,DA,TP,1608	
C750	2404-000112	C-TA,CHIP;100uF,20%,6.3V,WT,7343,-,TP		R866	2007-000078	R-CHIP;1Kohm,5%,1/16W,DA,TP,1608	
C751	2203-001556	C-CERAMIC,CHIP;100nF,+80-20%,25V,Y5V,TP		CAMERA MAIN BLOCK			
C752	2203-000477	C-CERAMIC,CHIP;1uF,+80-20%,16V,Y5V,TP,20		CNP01	3710-001110	CONNECTOR-SOCKET;18P,2R,0.8mm,SMD-S,AUF	
C753	2203-001556	C-CERAMIC,CHIP;100nF,+80-20%,25V,Y5V,TP		CNP02	3708-001262	CONNECTOR-FPC/FC/PIC;22P,0.5mm,SMD-A,SN	
C851	2203-001556	C-CERAMIC,CHIP;100nF,+80-20%,25V,Y5V,TP		CNP03	3711-002049	CONNECTOR-HEADER;BOX,6P,1R,1.25mm,SMD-A,	
C852	2203-000715	C-CERAMIC,CHIP;3.3nF,10%,50V,X7R,TP,1608		CP01	2203-001083	C-CERAMIC,CHIP;5pF,0.1pF,50V,NPO,TP,1608	
C853	2404-000107	C-TA,CHIP;100nF,20%,35V,-,TP,3216,-		CP02	2203-000257	C-CERAMIC,CHIP;10nF,10%,50V,X7R,1608,-,T	
C854	2404-000367	C-TA,CHIP;4.7uF,20%,6.3V,-,TP,3216,-		CP05	2203-001083	C-CERAMIC,CHIP;5pF,0.1pF,50V,NPO,TP,1608	
C855	2404-000198	C-TA,CHIP;22uF,20%,6.3V,-,TP,3528,-		CP06	2203-000257	C-CERAMIC,CHIP;10nF,10%,50V,X7R,1608,-,T	
C856	2203-001662	C-CERAMIC,CHIP;5.6nF,10%,50V,CH,TP,1608,		CP08	2203-001556	C-CERAMIC,CHIP;100nF,+80-20%,25V,Y5V,TP	
CN702	3708-001141	CONNECTOR-FPC/FC/PIC;18P,0.8mm,SMD-A,SN		CP09	2203-001699	C-CERAMIC,CHIP;8pF,0.5pF,50V,CH,1608,1.6	
CN851	3711-002612	CONNECTOR-HEADER;3WALL,5P,1R,1.25MM,SMD-		CP10	2203-001699	C-CERAMIC,CHIP;8pF,0.5pF,50V,CH,1608,1.6	
IC701	AC11-12001C	IC-ROM;LA7454W,QFP,-		CP11	2404-000198	C-TA,CHIP;22uF,20%,6.3V,-,TP,3528,-	
IC750	1201-001207	IC-AUDIO AMP;7052A,DIP,8P,-,SINGLE,35.5M		CP12	2203-001556	C-CERAMIC,CHIP;100nF,+80-20%,25V,Y5V,TP	
L701	2703-000397	INDUCTOR-SMD;33uH,10%,2.5x2x1.8mm		CP13	2203-001556	C-CERAMIC,CHIP;100nF,+80-20%,25V,Y5V,TP	
L750	2703-000407	INDUCTOR-SMD;330uH,10%,3.2x2.5x2.2mm		CP14	2203-001556	C-CERAMIC,CHIP;100nF,+80-20%,25V,Y5V,TP	
Q750	0501-000171	TR-SMALL SIGNAL;2SB1119,PNP,500mW,PCP,TP		CP20	2203-001556	C-CERAMIC,CHIP;100nF,+80-20%,25V,Y5V,TP	
Q751	0504-000110	TR-DIGITAL;DTC114EU,NPN,200mW,10K-10Kohm		CP21	2404-000198	C-TA,CHIP;22uF,20%,6.3V,-,TP,3528,-	
Q851	0501-000218	TR-SMALL SIGNAL;2SC4081,NPN,200mW,UMT,TP		CP22	2203-001556	C-CERAMIC,CHIP;100nF,+80-20%,25V,Y5V,TP	
Q852	0506-000150	TR-ARRAY;UM X2N,NPN,2.50V,40V,100MA,300M		CP23	2203-001402	C-CERAMIC,CHIP;220nF,+80-20%,16V	
R701	2007-001179	R-CHIP;8.2Kohm,5%,1/16W,DA,TP,1608		CP24	2404-000198	C-TA,CHIP;22uF,20%,6.3V,-,TP,3528,-	
R702	2007-000090	R-CHIP;10Kohm,5%,1/16W,DA,TP,1608		CP25	2203-001556	C-CERAMIC,CHIP;100nF,+80-20%,25V,Y5V,TP	
R704	2007-000087	R-CHIP;6.8Kohm,5%,1/16W,DA,TP,1608		CP26	2203-000477	C-CERAMIC,CHIP;1uF,+80-20%,16V,Y5V,TP,20	
R705	2007-000094	R-CHIP;22Kohm,5%,1/16W,DA,TP,1608		CP27	2203-000477	C-CERAMIC,CHIP;1uF,+80-20%,16V,Y5V,TP,20	
R706	2007-000071	R-CHIP;22ohm,5%,1/16W,DA,TP,1608		CP28	2203-000440	C-CERAMIC,CHIP;1nF,10%,50V,X7R,1608,-,TP	
R707	2007-000079	R-CHIP;1.8Kohm,5%,1/16W,DA,TP,1608		CP29	2203-000440	C-CERAMIC,CHIP;1nF,10%,50V,X7R,1608,-,TP	
R708	2007-000102	R-CHIP;100Kohm,5%,1/16W,DA,TP,1608		CP30	2203-000491	C-CERAMIC,CHIP;2.2nF,10%,50V,X7R,TP,1608	
R709	2007-000134	R-CHIP;33Kohm,5%,1/16W,DA,TP,1608		CP31	2203-001402	C-CERAMIC,CHIP;220nF,+80-20%,16V	
R710	2007-000090	R-CHIP;10Kohm,5%,1/16W,DA,TP,1608		CP32	2203-001556	C-CERAMIC,CHIP;100nF,+80-20%,25V,Y5V,TP	
R711	2007-000070	R-CHIP;0ohm,5%,1/16W,DA,TP,1608		CP34	2203-001559	C-CERAMIC,CHIP;100pF,5%,50V,NPO,TP,1608,	
R712	2007-000092	R-CHIP;15Kohm,5%,1/16W,DA,TP,1608		CP35	2404-000139	C-TA,CHIP;10uF,20%,6.3V,-,3216,-,TP	
R713	2007-000102	R-CHIP;100Kohm,5%,1/16W,DA,TP,1608		CP37	2404-000198	C-TA,CHIP;22uF,20%,6.3V,-,TP,3528,-	
R714	2007-000130	R-CHIP;39Kohm,5%,1/16W,DA,TP,1608		CP38	2203-001556	C-CERAMIC,CHIP;100nF,+80-20%,25V,Y5V,TP	
R715	2007-000130	R-CHIP;39Kohm,5%,1/16W,DA,TP,1608		CP39	2203-001556	C-CERAMIC,CHIP;100nF,+80-20%,25V,Y5V,TP	

Electrical Parts List

Loc.No	Part No	Desc & Spec	Remark	Loc.No	Part No	Desc & Spec	Remark
CP40	2203-001556	C-CERAMIC,CHIP:100nF,+80-20%,25V,Y5V,TP,		CS23	2203-001559	C-CERAMIC,CHIP:100pF,5%,50V,NPO,TP,1608,	EIS only
CP41	2203-001556	C-CERAMIC,CHIP:100nF,+80-20%,25V,Y5V,TP,		CS24	2203-001556	C-CERAMIC,CHIP:100nF,+80-20%,25V,Y5V,TP,	EIS only
CP42	2404-000139	C-TA,CHIP:10uF,20%,6.3V,-,3216,-,TP		CZ01	2404-000139	C-TA,CHIP:10uF,20%,6.3V,-,3216,-,TP	D.ZOOM
CP43	2203-000257	C-CERAMIC,CHIP:10nF,10%,50V,X7R,1608,-,T		CZ03	2404-000198	C-TA,CHIP:22uF,20%,6.3V,-,TP,3528,-	D.ZOOM
CP44	2203-001556	C-CERAMIC,CHIP:100nF,+80-20%,25V,Y5V,TP,		CZ06	2203-001556	C-CERAMIC,CHIP:100nF,+80-20%,25V,Y5V,TP,	D.ZOOM
CP46	2203-000257	C-CERAMIC,CHIP:10nF,10%,50V,X7R,1608,-,T		CZ07	2203-001556	C-CERAMIC,CHIP:100nF,+80-20%,25V,Y5V,TP,	D.ZOOM
CP47	2404-000198	C-TA,CHIP:22uF,20%,6.3V,-,TP,3528,-		CZ08	2203-001556	C-CERAMIC,CHIP:100nF,+80-20%,25V,Y5V,TP,	D.ZOOM
CP48	2203-000357	C-CERAMIC,CHIP:150pF,5%,50V,NPO,TP,1608,		DP01	0401-000171	DIODE-SWITCHING;MA1111,80V,100mA,-,3nS,SM	
CP49	2203-000257	C-CERAMIC,CHIP:10nF,10%,50V,X7R,1608,-,T		DP02	0405-000151	DIODE-VARACTOR;1T379,30V,10nA,USM,D,TP	
CP50	2203-001402	C-CERAMIC,CHIP:220nF,+80-20%,16V		DP03	0405-000143	DIODE-VARACTOR;MA341,30V,10nA,MINI-2,TP	
CP51	2203-001556	C-CERAMIC,CHIP:100nF,+80-20%,25V,Y5V,TP,		DP05	0401-000171	DIODE-SWITCHING;MA1111,80V,100mA,-,3nS,SM	
CP52	2203-001556	C-CERAMIC,CHIP:100nF,+80-20%,25V,Y5V,TP,		DP10	0401-000171	DIODE-SWITCHING;MA1111,80V,100mA,-,3nS,SM	
CP53	2404-000139	C-TA,CHIP:10uF,20%,6.3V,-,3216,-,TP		DP11	0401-000171	DIODE-SWITCHING;MA1111,80V,100mA,-,3nS,SM	
CP54	2203-001634	C-CERAMIC,CHIP:33nF,10%,50V,X7R,TP,1608,		ICP01	AD14-10001L	IC-LOGIC;KS7213,QFP,80P	
CP55	2203-001402	C-CERAMIC,CHIP:220nF,+80-20%,16V		ICP02	1003-001065	IC-CLOCK DRIVER;KS7221D,SOP,20P,225MIL,Q	
CP56	2203-001556	C-CERAMIC,CHIP:100nF,+80-20%,25V,Y5V,TP,		ICP03	1002-001060	IC-A/D CONVERTER;TDA8786A,10BIT,QFP,48P,	
CP57	2203-001556	C-CERAMIC,CHIP:100nF,+80-20%,25V,Y5V,TP,		ICP04	AD14-10001X	IC-LOGIC;KS7306C,QFP,100P,REV	
CP58	2404-000190	C-TA,CHIP:22uF,20%,16V,-,5832,-,TP		ICP05	AD09-12002J	IC-MICOM;UPD784035GC-820-8BT,QFP,80P	
CP59	2203-001556	C-CERAMIC,CHIP:100nF,+80-20%,25V,Y5V,TP,		ICP06	1201-000246	IC-OP AMP;3414,SOP,8P,173MIL,QUAD,20V/m	
CP60	2404-000139	C-TA,CHIP:10uF,20%,6.3V,-,3216,-,TP		ICP07	1201-000200	IC-OP AMP;3414,SOP,8P,173MIL,DUAL,-,PLAS	
CP61	2203-000257	C-CERAMIC,CHIP:10nF,10%,50V,X7R,1608,-,T		ICP08	AC14-12008D	IC-LOGIC;MPC17A852VM,SC111315,SOP,TAPE	
CP62	2203-000257	C-CERAMIC,CHIP:10nF,10%,50V,X7R,1608,-,T		ICP09	AC14-12008D	IC-LOGIC;MPC17A852VM,SC111315,SOP,TAPE	
CP63	2203-000257	C-CERAMIC,CHIP:10nF,10%,50V,X7R,1608,-,T		ICP10	AC11-12001G	IC-EEPROM;AT74C02N-105C,QFP,-	
CP64	2203-000715	C-CERAMIC,CHIP:3.3nF,10%,50V,X7R,TP,1608		ICP11	AD14-10001H	IC-REGULATOR;TPS7233Q,PWLE,SSOP,8P	
CP65	2203-000715	C-CERAMIC,CHIP:3.3nF,10%,50V,X7R,TP,1608		ICP12	0801-000301	IC-CMOS LOGIC;7W04,INVERTER,SOP,8P,150MI	
CP66	2203-000715	C-CERAMIC,CHIP:3.3nF,10%,50V,X7R,TP,1608		ICS01	AC14-12007X	IC-LOGIC;TC4566F,SSOP-5.5P	EIS only
CP67	2203-001556	C-CERAMIC,CHIP:100nF,+80-20%,25V,Y5V,TP,		ICS02	1201-000200	IC-OP AMP;3403,SOP,8P,173MIL,DUAL,-,PLAS	EIS only
CP68	2203-001556	C-CERAMIC,CHIP:100nF,+80-20%,25V,Y5V,TP,		ICS03	AC14-12007X	IC-LOGIC;TC4566F,SSOP-5.5P	EIS only
CP69	2203-000257	C-CERAMIC,CHIP:10nF,10%,50V,X7R,1608,-,T		ICS04	1201-000246	IC-OP AMP;3403,SOP,14P,173MIL,QUAD,20V/m	EIS only
CP70	2203-000257	C-CERAMIC,CHIP:10nF,10%,50V,X7R,1608,-,T		ICZ01	AD14-10001N	IC-LOGIC;KS7314X,QFP,80P	D.ZOOM
CP71	2203-000257	C-CERAMIC,CHIP:10nF,10%,50V,X7R,1608,-,T		LP01	2703-000403	INDUCTOR-SMD;22uH,10%,3.2x2.5x2.2mm	
CP72	2203-000715	C-CERAMIC,CHIP:3.3nF,10%,50V,X7R,TP,1608		LP03	2703-000397	INDUCTOR-SMD;33uH,10%,2.5x2x1.8mm	
CP73	2203-000715	C-CERAMIC,CHIP:3.3nF,10%,50V,X7R,TP,1608		LP04	2703-000403	INDUCTOR-SMD;22uH,10%,3.2x2.5x2.2mm	
CP74	2203-000715	C-CERAMIC,CHIP:3.3nF,10%,50V,X7R,TP,1608		LP05	2703-000397	INDUCTOR-SMD;33uH,10%,2.5x2x1.8mm	
CP75	2203-001556	C-CERAMIC,CHIP:100nF,+80-20%,25V,Y5V,TP,		LP06	2703-000397	INDUCTOR-SMD;33uH,10%,2.5x2x1.8mm	
CP76	2203-001556	C-CERAMIC,CHIP:100nF,+80-20%,25V,Y5V,TP,		LP07	2703-000397	INDUCTOR-SMD;33uH,10%,2.5x2x1.8mm	
CP78	2404-000212	C-TA,CHIP:3.3uF,20%,25V,-,3528,-,TP		LP08	2703-000397	INDUCTOR-SMD;33uH,10%,2.5x2x1.8mm	
CP80	2404-000153	C-TA,CHIP:1uF,20%,20V,-,3216,-,TP		LP09	2703-000403	INDUCTOR-SMD;22uH,10%,3.2x2.5x2.2mm	
CP81	2404-000139	C-TA,CHIP:10uF,20%,6.3V,-,3216,-,TP		LP10	2703-000397	INDUCTOR-SMD;33uH,10%,2.5x2x1.8mm	
CP82	2203-000477	C-CERAMIC,CHIP:1uF,+80-20%,16V,Y5V,TP,20		LP11	2703-000397	INDUCTOR-SMD;33uH,10%,2.5x2x1.8mm	
CP84	2203-001556	C-CERAMIC,CHIP:100nF,+80-20%,25V,Y5V,TP,		LP15	2703-000397	INDUCTOR-SMD;33uH,10%,3.5x2x1.8mm	
CP85	2203-001556	C-CERAMIC,CHIP:100nF,+80-20%,25V,Y5V,TP,		LZ01	2703-000397	INDUCTOR-SMD;33uH,10%,2.5x2x1.8mm	D.ZOOM
CP86	2203-001556	C-CERAMIC,CHIP:100nF,+80-20%,25V,Y5V,TP,		LZ02	2703-000397	INDUCTOR-SMD;33uH,10%,2.5x2x1.8mm	D.ZOOM
CP87	2203-001567	C-CERAMIC,CHIP:10pF,0.5pF,50V,CH,1608,1.		QP01	0501-000162	TR-SMALL SIGNAL;2SA1576,PNP,200mW,SC-70,	
CP88	2203-000384	C-CERAMIC,CHIP:15pF,5%,50V,NPO,TP,1608,-		QP02	0501-000162	TR-SMALL SIGNAL;2SA1576,PNP,200mW,SC-70,	
CP89	2203-001556	C-CERAMIC,CHIP:100nF,+80-20%,25V,Y5V,TP,		QP03	0501-000596	TR-SMALL SIGNAL;2SB970R,PNP,200mW,SOT-23	
CP90	2203-001556	C-CERAMIC,CHIP:100nF,+80-20%,25V,Y5V,TP,		QP05	0506-000151	TR-ARRAY;UMZIN,NPN/PNP,1.5V,40V,100MA,	
CP93	2203-001556	C-CERAMIC,CHIP:100nF,+80-20%,25V,Y5V,TP,		QP06	0504-000113	TR-DIGITAL;DTC144EUA,NPN,200mW,47K-47K,S	
CP95	2203-001556	C-CERAMIC,CHIP:100nF,+80-20%,25V,Y5V,TP,		QP07	0504-000113	TR-DIGITAL;DTC144EUA,NPN,200mW,47K-47K,S	
CP97	2203-001556	C-CERAMIC,CHIP:100nF,+80-20%,25V,Y5V,TP,		RP01	2007-000072	R-CHIP;47ohm,5%,1/16W,DA,TP,1608	
CP98	2203-001556	C-CERAMIC,CHIP:100nF,+80-20%,25V,Y5V,TP,		RP02	2007-000090	R-CHIP;10Kohm,5%,1/16W,DA,TP,1608	
CS01	2404-000139	C-TA,CHIP:10uF,20%,6.3V,-,3216,-,TP	EIS only	RP03	2007-000109	R-CHIP;1M ohm,5%,1/16W,DA,TP,1608	
CS02	2203-001556	C-CERAMIC,CHIP:100nF,+80-20%,25V,Y5V,TP,	EIS only	RP05	2007-000070	R-CHIP;0ohm,5%,1/16W,DA,TP,1608	
CS03	2203-001556	C-CERAMIC,CHIP:100nF,+80-20%,25V,Y5V,TP,	EIS only	RP06	2007-000070	R-CHIP;0ohm,5%,1/16W,DA,TP,1608	
CS04	2404-000139	C-TA,CHIP:10uF,20%,6.3V,-,3216,-,TP	EIS only	RP08	2007-000122	R-CHIP;1.2Kohm,5%,1/16W,DA,TP,1608	
CS05	2203-001556	C-CERAMIC,CHIP:100nF,+80-20%,25V,Y5V,TP,	EIS only	RP10	2007-000098	R-CHIP;56Kohm,5%,1/16W,DA,TP,1608	
CS06	2203-001556	C-CERAMIC,CHIP:100nF,+80-20%,25V,Y5V,TP,	EIS only	RP101	2007-000070	R-CHIP;0ohm,5%,1/16W,DA,TP,1608	
CS07	2203-001402	C-CERAMIC,CHIP:220nF,+80-20%,16V	EIS only	RP11	2007-000250	R-CHIP;1.5Mohm,5%,1/16W,DA,TP,1608	
CS08	2203-000054	C-CERAMIC,CHIP:15nF,0.1.50V,X7R,TP,1608,	EIS only	RP12	2007-000074	R-CHIP;100ohm,5%,1/16W,DA,TP,1608	
CS09	2404-001039	C-TA,CHIP:47uF,20%,6.3V,GP,TP,3528,-	EIS only	RP13	2007-000074	R-CHIP;100ohm,5%,1/16W,DA,TP,1608	
CS10	2404-001039	C-TA,CHIP:47uF,20%,6.3V,GP,TP,3528,-	EIS only	RP14	2007-000074	R-CHIP;100ohm,5%,1/16W,DA,TP,1608	
CS11	2203-001630	C-CERAMIC,CHIP:330nF,+80-20%,16V	EIS only	RP15	2007-000077	R-CHIP;470ohm,5%,1/16W,DA,TP,1608	
CS12	2203-001559	C-CERAMIC,CHIP:100pF,5%,50V,NPO,TP,1608,	EIS only	RP16	2007-000077	R-CHIP;470ohm,5%,1/16W,DA,TP,1608	
CS13	2404-000139	C-TA,CHIP:10uF,20%,6.3V,-,3216,-,TP	EIS only	RP17	2007-000077	R-CHIP;470ohm,5%,1/16W,DA,TP,1608	
CS14	2203-001556	C-CERAMIC,CHIP:100nF,+80-20%,25V,Y5V,TP,	EIS only	RP18	2007-000077	R-CHIP;470ohm,5%,1/16W,DA,TP,1608	
CS15	2203-001556	C-CERAMIC,CHIP:100nF,+80-20%,25V,Y5V,TP,	EIS only	RP19	2007-000077	R-CHIP;470ohm,5%,1/16W,DA,TP,1608	
CS16	2404-000139	C-TA,CHIP:10uF,20%,6.3V,-,3216,-,TP	EIS only	RP20	2007-000077	R-CHIP;470ohm,5%,1/16W,DA,TP,1608	
CS17	2203-001556	C-CERAMIC,CHIP:100nF,+80-20%,25V,Y5V,TP,	EIS only	RP21	2007-000102	R-CHIP;100Kohm,5%,1/16W,DA,TP,1608	
CS18	2203-001556	C-CERAMIC,CHIP:100nF,+80-20%,25V,Y5V,TP,	EIS only	RP22	2007-000134	R-CHIP;33Kohm,5%,1/16W,DA,TP,1608	
CS19	2203-001402	C-CERAMIC,CHIP:220nF,+80-20%,16V	EIS only	RP23	2007-000458	R-CHIP;18Kohm,5%,1/16W,DA,TP,1608	
CS20	2404-001039	C-TA,CHIP:47uF,20%,6.3V,GP,TP,3528,-	EIS only	RP24	2007-000078	R-CHIP;1Kohm,5%,1/16W,DA,TP,1608	
CS21	2404-001039	C-TA,CHIP:47uF,20%,6.3V,GP,TP,3528,-	EIS only	RP25	2007-000078	R-CHIP;1Kohm,5%,1/16W,DA,TP,1608	
CS22	2203-001630	C-CERAMIC,CHIP:330nF,+80-20%,16V	EIS only	RP26	2007-000078	R-CHIP;1Kohm,5%,1/16W,DA,TP,1608	

Loc.No	Part No	Desc & Spec	Remark	Loc.No	Part No	Desc & Spec	Remark
RP27	2007-000102	R-CHIP:100Kohm,5%, 1/16W,DA,TP,1608		RS15	2007-000094	R-CHIP:22Kohm,5%, 1/16W,DA,TP,1608	EIS only
RP28	2007-000102	R-CHIP:100Kohm,5%, 1/16W,DA,TP,1608		RS16	2007-000086	R-CHIP:5.6Kohm,5%, 1/16W,DA,TP,1608	EIS only
RP29	2007-000102	R-CHIP:100Kohm,5%, 1/16W,DA,TP,1608		RS17	2007-000109	R-CHIP:1M ohm,5%, 1/16W,DA,TP,1608	EIS only
RP30	2007-000102	R-CHIP:100Kohm,5%, 1/16W,DA,TP,1608		RS18	2007-000109	R-CHIP:1M ohm,5%, 1/16W,DA,TP,1608	EIS only
RP31	2007-000402	R-CHIP:150ohm,5%, 1/16W,DA,TP,1608		RS19	2007-000090	R-CHIP:10Kohm,5%, 1/16W,DA,TP,1608	EIS only
RP32	2007-000124	R-CHIP:2.2Kohm,5%, 1/16W,DA,TP,1608		RS20	2007-000092	R-CHIP:15Kohm,5%, 1/16W,DA,TP,1608	EIS only
RP33	2007-000450	R-CHIP:180ohm,5%, 1/16W,DA,TP,1608		RS21	2007-001026	R-CHIP:560Kohm,5%, 1/16W,DA,TP,1608	EIS only
RP34	2007-000402	R-CHIP:150ohm,5%, 1/16W,DA,TP,1608		RS22	2007-000097	R-CHIP:47Kohm,5%, 1/16W,DA,TP,1608	EIS only
RP35	2007-000091	R-CHIP:12Kohm,5%, 1/16W,DA,TP,1608		RZ01	2007-000070	R-CHIP:0ohm,5%, 1/16W,DA,TP,1608	D.ZOOM
RP36	2007-000124	R-CHIP:2.2Kohm,5%, 1/16W,DA,TP,1608		XP01	2801-001428	CRYSTAL-SMD:28.375M Hz,30ppm,28-ABL,7pf,6	
RP37	2007-000828	R-CHIP:39Kohm,1%, 1/16W,DA,TP,1608		XP02	2801-003347	CRYSTAL-UNIT:17.734475M Hz,20ppm,28-ABN,8	
RP38	2007-000102	R-CHIP:100Kohm,5%, 1/16W,DA,TP,1608		XP03	2801-003491	CRYSTAL-UNIT:32MHz,50ppm,28-ABL,9.2pf,60	
RP39	2007-000078	R-CHIP:1Kohm,5%, 1/16W,DA,TP,1608					
RP40	2007-000102	R-CHIP:100Kohm,5%, 1/16W,DA,TP,1608					
RP41	2007-000102	R-CHIP:100Kohm,5%, 1/16W,DA,TP,1608					
RP42	2007-000512	R-CHIP:2.4Kohm,5%, 1/16W,DA,TP,1608					
RP43	2007-000104	R-CHIP:150Kohm,5%, 1/16W,DA,TP,1608					
RP44	2007-000094	R-CHIP:22Kohm,5%, 1/16W,DA,TP,1608					
RP45	2007-000125	R-CHIP:3.9Kohm,5%, 1/16W,DA,TP,1608					
RP46	2007-000125	R-CHIP:3.9Kohm,5%, 1/16W,DA,TP,1608					
RP47	2007-000104	R-CHIP:150Kohm,5%, 1/16W,DA,TP,1608					
RP48	2007-000134	R-CHIP:33Kohm,5%, 1/16W,DA,TP,1608					
RP49	2007-000102	R-CHIP:100Kohm,5%, 1/16W,DA,TP,1608					
RP50	2007-000134	R-CHIP:33Kohm,5%, 1/16W,DA,TP,1608					
RP51	2007-000090	R-CHIP:10Kohm,5%, 1/16W,DA,TP,1608					
RP53	2007-000075	R-CHIP:220ohm,5%, 1/16W,DA,TP,1608					
RP54	2007-000078	R-CHIP:1Kohm,5%, 1/16W,DA,TP,1608					
RP55	2007-000637	R-CHIP:270Kohm,5%, 1/16W,DA,TP,1608					
RP56	2007-000094	R-CHIP:22Kohm,5%, 1/16W,DA,TP,1608					
RP57	2007-000078	R-CHIP:1Kohm,5%, 1/16W,DA,TP,1608					
RP58	2007-000102	R-CHIP:100Kohm,5%, 1/16W,DA,TP,1608					
RP59	2007-000102	R-CHIP:100Kohm,5%, 1/16W,DA,TP,1608					
RP65	2007-000097	R-CHIP:47Kohm,5%, 1/16W,DA,TP,1608					
RP66	2007-000100	R-CHIP:68Kohm,5%, 1/16W,DA,TP,1608					
RP67	2007-000102	R-CHIP:100Kohm,5%, 1/16W,DA,TP,1608					
RP68	2007-000863	R-CHIP:4.3ohm,5%, 1/10W,DA,TP,2012					
RP69	2007-000100	R-CHIP:68Kohm,5%, 1/16W,DA,TP,1608					
RP70	2007-000100	R-CHIP:68Kohm,5%, 1/16W,DA,TP,1608					
RP71	2007-000863	R-CHIP:4.3ohm,5%, 1/10W,DA,TP,2012					
RP72	2007-000102	R-CHIP:100Kohm,5%, 1/16W,DA,TP,1608					
RP73	2007-000863	R-CHIP:4.3ohm,5%, 1/10W,DA,TP,2012					
RP74	2007-000100	R-CHIP:68Kohm,5%, 1/16W,DA,TP,1608					
RP75	2007-000100	R-CHIP:68Kohm,5%, 1/16W,DA,TP,1608					
RP76	2007-000863	R-CHIP:4.3ohm,5%, 1/10W,DA,TP,2012					
RP77	2007-000097	R-CHIP:47Kohm,5%, 1/16W,DA,TP,1608					
RP78	2007-000100	R-CHIP:68Kohm,5%, 1/16W,DA,TP,1608					
RP79	2007-000076	R-CHIP:330ohm,5%, 1/16W,DA,TP,1608					
RP80	2007-000076	R-CHIP:330ohm,5%, 1/16W,DA,TP,1608					
RP81	2007-000102	R-CHIP:100Kohm,5%, 1/16W,DA,TP,1608					
RP82	2007-000102	R-CHIP:100Kohm,5%, 1/16W,DA,TP,1608					
RP86	2007-000102	R-CHIP:100Kohm,5%, 1/16W,DA,TP,1608					
RP87	2007-000102	R-CHIP:100Kohm,5%, 1/16W,DA,TP,1608					
RP89	2007-000102	R-CHIP:100Kohm,5%, 1/16W,DA,TP,1608					
RP90	2007-000458	R-CHIP:18Kohm,5%, 1/16W,DA,TP,1608					
RP91	2007-000102	R-CHIP:100Kohm,5%, 1/16W,DA,TP,1608					
RP93	2007-000084	R-CHIP:4.7Kohm,5%, 1/16W,DA,TP,1608					
RP95	2007-000070	R-CHIP:0ohm,5%, 1/16W,DA,TP,1608					
RP96	2007-000070	R-CHIP:0ohm,5%, 1/16W,DA,TP,1608					
RP98	2007-000084	R-CHIP:4.7Kohm,5%, 1/16W,DA,TP,1608					
RP99	2007-000091	R-CHIP:12Kohm,5%, 1/16W,DA,TP,1608					
RS01	2007-000781	R-CHIP:33ohm,5%, 1/10W,DA,TP,2012	EIS only	D901	0404-000150	DIODE-SCHOTTKY:EC10Q504,40V,1A,SM,D,TP	
RS02	2007-000094	R-CHIP:22Kohm,5%, 1/16W,DA,TP,1608	EIS only	D902	0407-000139	DIODE-ARRAY:IMN10,80V,100mA,CX3,IMD,TP	
RS03	2007-000094	R-CHIP:22Kohm,5%, 1/16W,DA,TP,1608	EIS only	IC901	1203-000445	IC-POS.FIXED REG.:14641,TO-220,3P,-,PLA	
RS04	2007-000094	R-CHIP:22Kohm,5%, 1/16W,DA,TP,1608	EIS only	L901	2703-000398	INDUCTOR-SMD:10UH,10%, 3.2X2.5X2.2MM	
RS05	2007-000109	R-CHIP:1Mohm,5%, 1/16W,DA,TP,1608	EIS only	L902	2703-000405	INDUCTOR-SMD:2.2UH,20%, 3.2X2.5X2.2MM	
RS06	2007-000092	R-CHIP:15Kohm,5%, 1/16W,DA,TP,1608	EIS only	L903	2703-000405	INDUCTOR-SMD:2.2UH,20%, 3.2X2.5X2.2MM	
RS07	2007-000090	R-CHIP:10Kohm,5%, 1/16W,DA,TP,1608	EIS only	L904	2703-001117	INDUCTOR-SMD:10uH,20%, 7x7x3.2mm	
RS08	2007-000109	R-CHIP:1Mohm,5%, 1/16W,DA,TP,1608	EIS only	L905	2703-000403	INDUCTOR-SMD:22uH,10%, 3.2x2.5x2.2mm	
RS09	2007-001026	R-CHIP:560Kohm,5%, 1/16W,DA,TP,1608	EIS only	L906	2703-000398	INDUCTOR-SMD:10UH,10%, 3.2X2.5X2.2MM	
RS10	2007-000097	R-CHIP:47Kohm,5%, 1/16W,DA,TP,1608	EIS only	L907	2703-000398	INDUCTOR-SMD:10UH,10%, 3.2X2.5X2.2MM	
RS11	2007-000086	R-CHIP:5.6Kohm,5%, 1/16W,DA,TP,1608	EIS only	L908	2703-000403	INDUCTOR-SMD:22uH,10%, 3.2x2.5x2.2mm	
RS13	2007-000094	R-CHIP:22Kohm,5%, 1/16W,DA,TP,1608	EIS only	L909	2703-000403	INDUCTOR-SMD:22uH,10%, 3.2x2.5x2.2mm	
RS14	2007-000094	R-CHIP:22Kohm,5%, 1/16W,DA,TP,1608	EIS only	L910	2703-000403	INDUCTOR-SMD:22uH,10%, 3.2x2.5x2.2mm	

DC/DC BLOCK

C901	2203-000477	C-CERAMIC,CHIP:1uF,+80-20%,16V,Y5V,TP,20	
C902	2203-000512	C-CERAMIC,CHIP:2.2uF,+80-20%,16V,Y5V,321	
C903	2404-000128	C-TA,CHIP:10uF,20%,16V,-,TP,6032,-	
C904	2203-001724	C-CERAMIC,CHIP:4.7UF,+80-20%,16V,Y5V,321	
C905	2404-000254	C-TA,CHIP:47uF,20%,10V,-,TP,7343,-	
C906	2203-000477	C-CERAMIC,CHIP:1uF,+80-20%,16V,Y5V,TP,20	
C907	2203-000477	C-CERAMIC,CHIP:1uF,+80-20%,16V,Y5V,TP,20	
C908	2203-000477	C-CERAMIC,CHIP:1uF,+80-20%,16V,Y5V,TP,20	
C909	2203-000477	C-CERAMIC,CHIP:1uF,+80-20%,16V,Y5V,TP,20	
C910	2203-000477	C-CERAMIC,CHIP:1uF,+80-20%,16V,Y5V,TP,20	
C911	2203-000477	C-CERAMIC,CHIP:1uF,+80-20%,16V,Y5V,TP,20	
C912	2404-000120	C-TA,CHIP:10uF,20%,10V,-,TP,3528,-	
C913	2404-000120	C-TA,CHIP:10uF,20%,10V,-,TP,3528,-	
C915	2404-000120	C-TA,CHIP:10uF,20%,10V,-,TP,3528,-	
C916	2203-000512	C-CERAMIC,CHIP:2.2uF,+80-20%,16V,Y5V,321	
C917	2404-000120	C-TA,CHIP:10uF,20%,10V,-,TP,3528,-	
C918	2203-000481	C-CERAMIC,CHIP:1uF,+80-20%,25V,Y5V,TP,32	
C919	2203-000481	C-CERAMIC,CHIP:1uF,+80-20%,25V,Y5V,TP,32	
C920	2203-000481	C-CERAMIC,CHIP:1uF,+80-20%,25V,Y5V,TP,32	
C921	2203-000481	C-CERAMIC,CHIP:1uF,+80-20%,25V,Y5V,TP,32	
C922	2203-000512	C-CERAMIC,CHIP:2.2uF,+80-20%,16V,Y5V,321	
C923	2203-000257	C-CERAMIC,CHIP:10nF,10%,50V,X7R,1608,-T	
C924	2203-001556	C-CERAMIC,CHIP:100nF,+80-20%,25V,Y5V,TP,	
C925	2203-001559	C-CERAMIC,CHIP:100pF,5%,50V,NPO,TP,1608,	
C926	2203-000477	C-CERAMIC,CHIP:1uF,+80-20%,16V,Y5V,TP,20	
C927	2203-000257	C-CERAMIC,CHIP:10nF,10%,50V,X7R,1608,-T	
C928	2203-000257	C-CERAMIC,CHIP:10nF,10%,50V,X7R,1608,-T	
C929	2203-001636	C-CERAMIC,CHIP:33pF,5%,50V,NPO,TP,1608,1	
C930	2203-000888	C-CERAMIC,CHIP:4.7nF,10%,50V,X7R,TP,1608	
C931	2203-001636	C-CERAMIC,CHIP:33pF,5%,50V,NPO,TP,1608,1	
C932	2203-001632	C-CERAMIC,CHIP:330pF,5%,50V,CH,1608,1.6m	
C933	2203-001640	C-CERAMIC,CHIP:390PF,10%,50V,X7R,TP,1608	
C934	2203-002220	C-CERAMIC,CHIP:56PF,5%,50V,CH,TP,1608,-	
C935	2203-001632	C-CERAMIC,CHIP:330pF,5%,50V,CH,1608,1.6m	
C936	2203-001640	C-CERAMIC,CHIP:390PF,10%,50V,X7R,TP,1608	
C937	2203-001556	C-CERAMIC,CHIP:100nF,+80-20%,25V,Y5V,TP,	
C938	2203-001636	C-CERAMIC,CHIP:33pF,5%,50V,NPO,TP,1608,1	
C940	2203-000512	C-CERAMIC,CHIP:2.2uF,+80-20%,16V,Y5V,321	
C941	2203-001103	C-CERAMIC,CHIP:6.8nF,10%,50V,X7R,TP,1608	
C942	2203-001103	C-CERAMIC,CHIP:6.8nF,10%,50V,X7R,TP,1608	
C943	2203-001609	C-CERAMIC,CHIP:22nF,10%,16V,X7R,TP,1608,	
C944	2203-000257	C-CERAMIC,CHIP:10nF,10%,50V,X7R,1608,-T	
C945	2203-000257	C-CERAMIC,CHIP:10nF,10%,50V,X7R,1608,-T	
C946	2203-000257	C-CERAMIC,CHIP:10nF,10%,50V,X7R,1608,-T	
C949	2203-000477	C-CERAMIC,CHIP:1uF,+80-20%,16V,Y5V,TP,20	
C950	2203-000477	C-CERAMIC,CHIP:1uF,+80-20%,16V,Y5V,TP,20	
D901	0404-000150	DIODE-SCHOTTKY:EC10Q504,40V,1A,SM,D,TP	
D902	0407-000139	DIODE-ARRAY:IMN10,80V,100mA,CX3,IMD,TP	
IC901	1203-000445	IC-POS.FIXED REG.:14641,TO-220,3P,-,PLA	
L901	2703-000398	INDUCTOR-SMD:10UH,10%, 3.2X2.5X2.2MM	
L902	2703-000405	INDUCTOR-SMD:2.2UH,20%, 3.2X2.5X2.2MM	
L903	2703-000405	INDUCTOR-SMD:2.2UH,20%, 3.2X2.5X2.2MM	
L904	2703-001117	INDUCTOR-SMD:10uH,20%, 7x7x3.2mm	
L905	2703-000403	INDUCTOR-SMD:22uH,10%, 3.2x2.5x2.2mm	
L906	2703-000398	INDUCTOR-SMD:10UH,10%, 3.2X2.5X2.2MM	
L907	2703-000398	INDUCTOR-SMD:10UH,10%, 3.2X2.5X2.2MM	
L908	2703-000403	INDUCTOR-SMD:22uH,10%, 3.2x2.5x2.2mm	
L909	2703-000403	INDUCTOR-SMD:22uH,10%, 3.2x2.5x2.2mm	
L910	2703-000403	INDUCTOR-SMD:22uH,10%, 3.2x2.5x2.2mm	

Electrical Parts List

Loc.No	Part No	Desc & Spec	Remark	Loc.No	Part No	Desc & Spec	Remark
L911	2703-000398	INDUCTOR-SMD;10UH,10%,3.2X2.5X2.2MM		C435	2404-000139	C-TA,CHIP;10uF,20%,6.3V,-,3216,-,TP	
L912	2703-000398	INDUCTOR-SMD;10UH,10%,3.2X2.5X2.2MM		C436	2203-000477	C-CERAMIC,CHIP;1uF,+80-20%,16V,Y5V,TP,20	
L913	2703-000398	INDUCTOR-SMD;10UH,10%,3.2X2.5X2.2MM		C501	2203-000257	C-CERAMIC,CHIP;10nF,10%,50V,X7R,1608,-,T	
L914	2703-000398	INDUCTOR-SMD;10UH,10%,3.2X2.5X2.2MM		C502	2203-000477	C-CERAMIC,CHIP;1uF,+80-20%,16V,Y5V,TP,20	
L915	2703-001194	INDUCTOR-SMD;100uH,20%,7x7x3.2mm		C503	2203-000477	C-CERAMIC,CHIP;1uF,+80-20%,16V,Y5V,TP,20	
L916	2703-000398	INDUCTOR-SMD;10UH,10%,3.2X2.5X2.2MM		C504	2203-000888	C-CERAMIC,CHIP;4.7nF,10%,50V,X7R,TP,1608	
L917	2703-001194	INDUCTOR-SMD;100uH,20%,7x7x3.2mm		C505	2203-001609	C-CERAMIC,CHIP;22nF,10%,16V,X7R,TP,1608	
L918	2703-000398	INDUCTOR-SMD;10UH,10%,3.2X2.5X2.2MM		C506	2203-001609	C-CERAMIC,CHIP;22nF,10%,16V,X7R,TP,1608	
L919	2703-000399	INDUCTOR-SMD;100uH,10%,3.2x2.5x2.2mm		C507	2203-001559	C-CERAMIC,CHIP;100pF,5%,50V,NPO,TP,1608	
L920	2703-000399	INDUCTOR-SMD;100uH,10%,3.2x2.5x2.2mm		C508	2203-001559	C-CERAMIC,CHIP;100pF,5%,50V,NPO,TP,1608	
L921	2703-000399	INDUCTOR-SMD;100uH,10%,3.2x2.5x2.2mm		C509	2203-000062	C-CERAMIC,CHIP;47nF,+80-20%,50V,Y5V,1608	
Q901	0502-000432	TR-POWER;2SB1302-S,PNP,1.3W,SC-62,TP,14		C510	2203-000477	C-CERAMIC,CHIP;1uF,+80-20%,16V,Y5V,TP,20	
Q902	0504-000113	TR-DIGITAL;DTC144EUA,NPN,200mW,47K-47K,S		C511	2203-000062	C-CERAMIC,CHIP;47nF,+80-20%,50V,Y5V,1608	
Q903	0501-000172	TR-SM ALL SIGNAL;2SB1121,PNP,500M W,P,CP,TP		C512	2203-000257	C-CERAMIC,CHIP;10nF,10%,50V,X7R,1608,-,T	
Q904	0501-000681	TR-SM ALL SIGNAL;FP101,PNP,1.3W,PCP4,TP,1		C515	2203-001640	C-CERAMIC,CHIP;390PF,10%,50V,X7R,TP,1608	
Q905	0501-000681	TR-SM ALL SIGNAL;FP101,PNP,1.3W,PCP4,TP,1		C516	2203-000929	C-CERAMIC,CHIP;470PF,10%,50V,X7R,TP,1608,-	
Q906	0501-000172	TR-SM ALL SIGNAL;2SB1121,PNP,500M W,P,CP,TP		C517	2203-000062	C-CERAMIC,CHIP;47nF,+80-20%,50V,Y5V,1608	
Q907	0501-000172	TR-SM ALL SIGNAL;2SB1121,PNP,500M W,P,CP,TP		C524	2203-000477	C-CERAMIC,CHIP;1uF,+80-20%,16V,Y5V,TP,20	
Q910	0504-000113	TR-DIGITAL;DTC144EUA,NPN,200mW,47K-47K,S		C525	2203-000440	C-CERAMIC,CHIP;1nF,10%,50V,X7R,1608,-,TP	
R901	2007-000094	R-CHIP;22Kohm,5%,1/16W,DA,TP,1608		C526	2203-000440	C-CERAMIC,CHIP;1nF,10%,50V,X7R,1608,-,TP	
R902	2007-000094	R-CHIP;22Kohm,5%,1/16W,DA,TP,1608		C528	2203-001556	C-CERAMIC,CHIP;100nF,+80-20%,25V,Y5V,TP	
R903	2007-001699	R-CHIP;12Kohm,0.5%,1/16W,DA,TP,1608		C529	2203-001556	C-CERAMIC,CHIP;100nF,+80-20%,25V,Y5V,TP	
R904	2007-001694	R-CHIP;12Kohm,0.5%,1/16W,DA,TP,1608		C530	2203-000257	C-CERAMIC,CHIP;10nF,10%,50V,X7R,1608,-,T	
R905	2007-007202	R-CHIP;51Kohm,0.5%,1/16W,DA,TP,1608		C531	2404-000151	C-TA,CHIP;1uF,20%,16V,-,TP,3216,-	
R906	2007-000094	R-CHIP;22Kohm,5%,1/16W,DA,TP,1608		C532	2203-000257	C-CERAMIC,CHIP;10nF,10%,50V,X7R,1608,-,T	
R907	2007-007204	R-CHIP;5.1Kohm,0.5%,1/16W,DA,TP,1608		C533	2203-001556	C-CERAMIC,CHIP;100nF,+80-20%,25V,Y5V,TP	
R908	2007-000766	R-CHIP;330ohm,5%,1/10W,DA,TP,2012		C534	2203-000062	C-CERAMIC,CHIP;47nF,+80-20%,50V,Y5V,1608	
R910	2007-000086	R-CHIP;5.6Kohm,5%,1/16W,DA,TP,1608		C535	2203-000888	C-CERAMIC,CHIP;4.7nF,10%,50V,X7R,TP,1608	
R911	2007-000079	R-CHIP;1.8Kohm,5%,1/16W,DA,TP,1608		C536	2203-001630	C-CERAMIC,CHIP;330nF,+80-20%,16V	
R912	2007-000086	R-CHIP;5.6Kohm,5%,1/16W,DA,TP,1608		C537	2203-002218	C-CERAMIC,CHIP;47nF,10%,16V,X7R,TP,1608	
R913	2007-000766	R-CHIP;330ohm,5%,1/10W,DA,TP,2012		C538	2203-000491	C-CERAMIC,CHIP;2.2nF,10%,50V,X7R,TP,1608	
R914	2007-000079	R-CHIP;1.8Kohm,5%,1/16W,DA,TP,1608		C539	2203-000491	C-CERAMIC,CHIP;2.2nF,10%,50V,X7R,TP,1608	
R915	2007-000101	R-CHIP;82Kohm,5%,1/16W,DA,TP,1608		C540	2203-000491	C-CERAMIC,CHIP;2.2nF,10%,50V,X7R,TP,1608	
R916	2007-000092	R-CHIP;15Kohm,5%,1/16W,DA,TP,1608		C541	2203-001556	C-CERAMIC,CHIP;100nF,+80-20%,25V,Y5V,TP	
R917	2007-001643	R-CHIP;100Kohm,0.5%,1/16W,DA,TP,1608		C542	2203-001556	C-CERAMIC,CHIP;100nF,+80-20%,25V,Y5V,TP	
R918	2007-001643	R-CHIP;100Kohm,0.5%,1/16W,DA,TP,1608		C543	2203-001556	C-CERAMIC,CHIP;100nF,+80-20%,25V,Y5V,TP	
R919	2007-007203	R-CHIP;5.6Kohm,0.5%,1/16W,DA,TP,1608		C544	2203-001556	C-CERAMIC,CHIP;100nF,+80-20%,25V,Y5V,TP	
R922	2007-000134	R-CHIP;33Kohm,5%,1/16W,DA,TP,1608		C545	2203-001556	C-CERAMIC,CHIP;100nF,+80-20%,25V,Y5V,TP	
R923	2007-000090	R-CHIP;10Kohm,5%,1/16W,DA,TP,1608		C546	2203-000199	C-CERAMIC,CHIP;100nF,+80-20%,50V,Z5U,TP	
R924	2007-001695	R-CHIP;22Kohm,0.5%,1/16W,DA,TP,1608		C547	2402-000198	C-AL,SMD;47uF,20%,16V,GP,TP,6.3x5.4,-	
R925	2007-000090	R-CHIP;10Kohm,5%,1/16W,DA,TP,1608		C549	2404-000198	C-TA,CHIP;22uF,20%,6.3V,-,TP,3258,-	
R926	2007-000090	R-CHIP;10Kohm,5%,1/16W,DA,TP,1608		C550	2203-001640	C-CERAMIC,CHIP;390PF,10%,50V,X7R,TP,1608	
R927	2007-001114	R-CHIP;680Kohm,5%,1/16W,DA,TP,1608		C552	2203-001556	C-CERAMIC,CHIP;100nF,+80-20%,25V,Y5V,TP	
R929	2007-000086	R-CHIP;5.6Kohm,5%,1/16W,DA,TP,1608		C553	2203-001556	C-CERAMIC,CHIP;100nF,+80-20%,25V,Y5V,TP	
R930	2007-000086	R-CHIP;5.6Kohm,5%,1/16W,DA,TP,1608		C554	2203-001556	C-CERAMIC,CHIP;100nF,+80-20%,25V,Y5V,TP	
R931	2007-000090	R-CHIP;10Kohm,5%,1/16W,DA,TP,1608		C555	2203-000477	C-CERAMIC,CHIP;1uF,+80-20%,16V,Y5V,TP,20	
R932	2007-000081	R-CHIP;2.7Kohm,5%,1/16W,DA,TP,1608		C601	2203-000477	C-CERAMIC,CHIP;1uF,+80-20%,16V,Y5V,TP,20	
R933	2007-000097	R-CHIP;47Kohm,5%,1/16W,DA,TP,1608		C602	2203-000477	C-CERAMIC,CHIP;1uF,+80-20%,16V,Y5V,TP,20	
R934	2007-000094	R-CHIP;22Kohm,5%,1/16W,DA,TP,1608		C603	2402-000182	C-AL,SMD;100uF,20%,6.3V,GP,TP,6.3x5.4,-	
R935	2007-000090	R-CHIP;10Kohm,5%,1/16W,DA,TP,1608		C604	2203-001556	C-CERAMIC,CHIP;100nF,+80-20%,25V,Y5V,TP	
R936	2007-000655	R-CHIP;27Kohm,5%,1/16W,DA,TP 200		C605	2203-000477	C-CERAMIC,CHIP;1uF,+80-20%,16V,Y5V,TP,20	
R937	2007-000101	R-CHIP;82Kohm,5%,1/16W,DA,TP,1608		C606	2404-000232	C-TA,CHIP;4.7uF,20%,10V,WT,3216,-,TP	
R940	2007-000090	R-CHIP;10Kohm,5%,1/16W,DA,TP,1608		C608	2203-001556	C-CERAMIC,CHIP;100nF,+80-20%,25V,Y5V,TP	
R941	2007-000090	R-CHIP;10Kohm,5%,1/16W,DA,TP,1608		C609	2203-000626	C-CERAMIC,CHIP;22pF,5%,50V,NPO,TP,1608,-	
R942	2007-000090	R-CHIP;10Kohm,5%,1/16W,DA,TP,1608		C610	2203-000626	C-CERAMIC,CHIP;22pF,5%,50V,NPO,TP,1608,-	
R943	2007-000091	R-CHIP;12Kohm,5%,1/16W,DA,TP,1608		C611	2203-000384	C-CERAMIC,CHIP;15pF,5%,50V,NPO,TP,1608,-	
R944	2007-000090	R-CHIP;10Kohm,5%,1/16W,DA,TP,1608		C612	2203-000384	C-CERAMIC,CHIP;15pF,5%,50V,NPO,TP,1608,-	
R945	2007-000090	R-CHIP;10Kohm,5%,1/16W,DA,TP,1608		C613	2203-000477	C-CERAMIC,CHIP;1uF,+80-20%,16V,Y5V,TP,20	
R946	2007-000090	R-CHIP;10Kohm,5%,1/16W,DA,TP,1608		C614	2203-001556	C-CERAMIC,CHIP;100nF,+80-20%,25V,Y5V,TP	
R947	2007-000091	R-CHIP;12Kohm,5%,1/16W,DA,TP,1608		C615	2203-001556	C-CERAMIC,CHIP;100nF,+80-20%,25V,Y5V,TP	
R948	2007-000094	R-CHIP;22Kohm,5%,1/16W,DA,TP,1608		C617	2203-000257	C-CERAMIC,CHIP;10nF,10%,50V,X7R,1608,-,T	
T901	AD26-20120M	TRANS-CONVERTOR;REEL,-,CMS64(285UH);S2C-		C618	2203-000257	C-CERAMIC,CHIP;10nF,10%,50V,X7R,1608,-,T	
SYSCON/SERVO BLOCK				C625	2203-000257	C-CERAMIC,CHIP;10nF,10%,50V,X7R,1608,-,T	
C401	2203-001573	C-CERAMIC,CHIP;12pF,5%,50V,CH,1608,1.6mm		C626	2203-000477	C-CERAMIC,CHIP;1uF,+80-20%,16V,Y5V,TP,20	
C402	2203-001567	C-CERAMIC,CHIP;10pF,0.5pF,50V,CH,1608,1.		C627	2203-000477	C-CERAMIC,CHIP;1uF,+80-20%,16V,Y5V,TP,20	
C403	2404-000139	C-TA,CHIP;10uF,20%,6.3V,-,3216,-,TP		C628	2404-000259	C-TA,CHIP;47uF,20%,6.3V,-,TP,6032,-	
C404	2203-001556	C-CERAMIC,CHIP;100nF,+80-20%,25V,Y5V,TP		C640	2203-000257	C-CERAMIC,CHIP;10nF,10%,50V,X7R,1608,-,T	
C421	2203-000257	C-CERAMIC,CHIP;10nF,10%,50V,X7R,1608,-,T		CN501	3711-003366	CONNECTOR-HEADER;BOX,24P,2R,0.8mm,ANGLE	
C431	2203-001559	C-CERAMIC,CHIP;100pF,5%,50V,NPO,TP,1608		CN502	3711-002046	CONNECTOR-HEADER;3WALL,12P,1R,1.25mm,SMD	
C432	2203-000491	C-CERAMIC,CHIP;2.2nF,10%,50V,X7R,TP,1608		CN503	3710-001301	CONNECTOR-SOCKET;48P,2R,0.8mm,SMD-S,SN	
C433	2404-000151	C-TA,CHIP;1uF,20%,16V,-,TP,3216,-		D402	0407-000115	DIODE-ARRAY;DAN202U,80V,100mA,CA2-3,SC-7	
C434	2203-000257	C-CERAMIC,CHIP;10nF,10%,50V,X7R,1608,-,T		IC401	1204-001146	IC-OSD PROCESSOR;BU6251FV,SOP,20P,240MIL	
				IC421	1002-001070	IC-D/A CONVERTER;M62353GP,8BIT,SOP,16P,-	

Loc.No	Part No	Desc & Spec	Remark	Loc.No	Part No	Desc & Spec	Remark
IC431	AC14-12012B	IC:BA7046F-T1,SOP,-		R545	2007-000097	R-CHIP;47Kohm,5%,1/16W,DA,TP,1608	
IC501	AC14-12005J	IC-LOGIC;KA8322,QFP,-		R550	2007-000503	R-CHIP;2.2ohm,5%,1/16W,DA,TP,1608	
IC502	1003-001012	IC-MOTOR DRIVER;LB1950,SOP,30P,300MIL,SI		R551	2007-000503	R-CHIP;2.2ohm,5%,1/16W,DA,TP,1608	
IC503	1003-001020	IC-MOTOR DRIVER;LB1951,SOP,24P,-,SINGLE,		R552	2007-000503	R-CHIP;2.2ohm,5%,1/16W,DA,TP,1608	
IC504	1003-001146	IC-MOTOR DRIVER;LB1843VL,SOP,20P,-,800		R559	2007-000130	R-CHIP;39Kohm,5%,1/16W,DA,TP,1608	
IC601	AD09-10452C	IC-MCU;CXP87240A-140Q,100P,QFP,VP-L10		R562	2007-000109	R-CHIP;1M ohm,5%,1/16W,DA,TP,1608	
IC602	1203-001123	IC-VOLTAGE REGULATOR;8420,SOP,8P,216MIL,		R563	2007-000102	R-CHIP;100Kohm,5%,1/16W,DA,TP,1608	
L401	2703-000397	INDUCTOR-SMD;33uH,10%,2.5x2x1.8mm		R570	2007-001643	R-CHIP;100Kohm,0.5%,1/16W,DA,TP,1608	
L402	2703-000372	INDUCTOR-SMD;56uH,5%,2.5x2x1.8mm		R571	2007-000106	R-CHIP;220Kohm,5%,1/16W,DA,TP,1608	
L421	2703-000397	INDUCTOR-SMD;33uH,10%,2.5x2x1.8mm		R572	2007-000106	R-CHIP;220Kohm,5%,1/16W,DA,TP,1608	
L431	2703-000397	INDUCTOR-SMD;33uH,10%,2.5x2x1.8mm		R573	2007-000090	R-CHIP;10Kohm,5%,1/16W,DA,TP,1608	
L601	2703-000399	INDUCTOR-SMD;100uH,10%,3.2x2.5x2.2mm		R574	2007-000090	R-CHIP;10Kohm,5%,1/16W,DA,TP,1608	
L602	2703-000399	INDUCTOR-SMD;100uH,10%,3.2x2.5x2.2mm		R601	2007-001700	R-CHIP;330Kohm,0.5%,1/16W,DA,TP,1608	
L603	2703-000399	INDUCTOR-SMD;100uH,10%,3.2x2.5x2.2mm		R602	2007-001693	R-CHIP;15Kohm,0.5%,1/16W,DA,TP,1608	
Q501	0501-000172	TR-SMALL SIGNAL;2SB1121,PNP,500MW,PCP,TP		R603	2007-001700	R-CHIP;330Kohm,0.5%,1/16W,DA,TP,1608	
Q502	0504-000110	TR-DIGITAL;DTC114EU,NPN,200mW,10K-10Kohm		R604	2007-000078	R-CHIP;1Kohm,5%,1/16W,DA,TP,1608	
Q602	0504-000194	TR-DIGITAL;DTC124EU,NPN,200mW,22K-22K,SC		R605	2007-000079	R-CHIP;1.8Kohm,5%,1/16W,DA,TP,1608	
Q604	0501-000218	TR-SMALL SIGNAL;2SC4081,NPN,200mW,U,M,TP,TP		R606	2007-000124	R-CHIP;2.2Kohm,5%,1/16W,DA,TP,1608	
Q605	0504-000107	TR-DIGITAL;DTA144EU,PNP,200mW,47K-47K,SC		R607	2007-000090	R-CHIP;10Kohm,5%,1/16W,DA,TP,1608	
R401	2007-000078	R-CHIP;1Kohm,5%,1/16W,DA,TP,1608		R608	2007-000102	R-CHIP;100Kohm,5%,1/16W,DA,TP,1608	
R402	2007-000078	R-CHIP;1Kohm,5%,1/16W,DA,TP,1608		R609	2007-000090	R-CHIP;10Kohm,5%,1/16W,DA,TP,1608	
R403	2007-000078	R-CHIP;1Kohm,5%,1/16W,DA,TP,1608		R611	2007-000078	R-CHIP;1Kohm,5%,1/16W,DA,TP,1608	
R404	2007-000078	R-CHIP;1Kohm,5%,1/16W,DA,TP,1608		R612	2007-000078	R-CHIP;1Kohm,5%,1/16W,DA,TP,1608	
R405	2007-000084	R-CHIP;4.7Kohm,5%,1/16W,DA,TP,1608		R614	2007-000106	R-CHIP;220Kohm,5%,1/16W,DA,TP,1608	
R406	2007-000080	R-CHIP;2Kohm,5%,1/16W,DA,TP,1608		R615	2007-000106	R-CHIP;220Kohm,5%,1/16W,DA,TP,1608	
R407	2007-000078	R-CHIP;1Kohm,5%,1/16W,DA,TP,1608		R616	2007-000090	R-CHIP;10Kohm,5%,1/16W,DA,TP,1608	
R408	2007-000124	R-CHIP;2.2Kohm,5%,1/16W,DA,TP,1608		R617	2007-000106	R-CHIP;220Kohm,5%,1/16W,DA,TP,1608	
R409	2007-000078	R-CHIP;1Kohm,5%,1/16W,DA,TP,1608		R618	2007-000090	R-CHIP;10Kohm,5%,1/16W,DA,TP,1608	
R410	2007-000078	R-CHIP;1Kohm,5%,1/16W,DA,TP,1608		R619	2007-000106	R-CHIP;220Kohm,5%,1/16W,DA,TP,1608	
R411	2007-000078	R-CHIP;1Kohm,5%,1/16W,DA,TP,1608		R620	2007-000090	R-CHIP;10Kohm,5%,1/16W,DA,TP,1608	
R412	2007-000084	R-CHIP;4.7Kohm,5%,1/16W,DA,TP,1608		R622	2007-000090	R-CHIP;10Kohm,5%,1/16W,DA,TP,1608	
R413	2007-000094	R-CHIP;22Kohm,5%,1/16W,DA,TP,1608		R623	2007-000106	R-CHIP;220Kohm,5%,1/16W,DA,TP,1608	
R415	2007-000070	R-CHIP;0ohm,5%,1/16W,DA,TP,1608		R625	2007-000106	R-CHIP;220Kohm,5%,1/16W,DA,TP,1608	
R431	2007-007352	R-CHIP;130KOHM,1%,1/16W,DA,TP,1608		R626	2007-000090	R-CHIP;10Kohm,5%,1/16W,DA,TP,1608	
R432	2007-000107	R-CHIP;470Kohm,5%,1/16W,DA,TP,1608		R627	2007-000090	R-CHIP;10Kohm,5%,1/16W,DA,TP,1608	
R433	2007-000090	R-CHIP;10Kohm,5%,1/16W,DA,TP,1608		R628	2007-000090	R-CHIP;10Kohm,5%,1/16W,DA,TP,1608	
R434	2007-000107	R-CHIP;470Kohm,5%,1/16W,DA,TP,1608		R629	2007-000084	R-CHIP;4.7Kohm,5%,1/16W,DA,TP,1608	
R435	2007-000076	R-CHIP;330ohm,5%,1/16W,DA,TP,1608		R630	2007-000090	R-CHIP;10Kohm,5%,1/16W,DA,TP,1608	
R501	2007-000090	R-CHIP;10Kohm,5%,1/16W,DA,TP,1608		R631	2007-000290	R-CHIP;100ohm,5%,1/10W,DA,TP,2012	
R502	2007-000102	R-CHIP;100Kohm,5%,1/16W,DA,TP,1608		R632	2007-001644	R-CHIP;10Kohm,0.5%,1/16W,DA,TP,1608	
R503	2007-000065	R-CHIP;2.2M ohm,5%,1/16W,DA,TP,1608		R633	2007-001643	R-CHIP;100Kohm,0.5%,1/16W,DA,TP,1608	
R504	2007-000102	R-CHIP;100Kohm,5%,1/16W,DA,TP,1608		R634	2007-000097	R-CHIP;47Kohm,5%,1/16W,DA,TP,1608	
R505	2007-000102	R-CHIP;100Kohm,5%,1/16W,DA,TP,1608		R635	2007-000078	R-CHIP;10Kohm,5%,1/16W,DA,TP,1608	
R506	2007-000098	R-CHIP;56Kohm,5%,1/16W,DA,TP,1608		R638	2007-000102	R-CHIP;100Kohm,5%,1/16W,DA,TP,1608	
R507	2007-000094	R-CHIP;22Kohm,5%,1/16W,DA,TP,1608		R639	2007-000078	R-CHIP;1Kohm,5%,1/16W,DA,TP,1608	
R508	2007-001114	R-CHIP;680Kohm,5%,1/16W,DA,TP,1608		R640	2007-000077	R-CHIP;470ohm,5%,1/16W,DA,TP,1608	
R509	2007-000123	R-CHIP;1.5Kohm,5%,1/16W,DA,TP,1608		R641	2007-000090	R-CHIP;10Kohm,5%,1/16W,DA,TP,1608	
R510	2007-000123	R-CHIP;1.5Kohm,5%,1/16W,DA,TP,1608		R642	2007-000077	R-CHIP;470ohm,5%,1/16W,DA,TP,1608	
R511	2007-000092	R-CHIP;15Kohm,5%,1/16W,DA,TP,1608		R643	2007-000077	R-CHIP;470ohm,5%,1/16W,DA,TP,1608	
R512	2007-000087	R-CHIP;6.8Kohm,5%,1/16W,DA,TP,1608		R644	2007-000102	R-CHIP;100Kohm,5%,1/16W,DA,TP,1608	
R513	2007-000076	R-CHIP;330ohm,5%,1/16W,DA,TP,1608		R646	2007-001643	R-CHIP;100Kohm,0.5%,1/16W,DA,TP,1608	
R514	2007-000077	R-CHIP;470ohm,5%,1/16W,DA,TP,1608		R655	2007-000084	R-CHIP;4.7Kohm,5%,1/16W,DA,TP,1608	
R515	2007-000093	R-CHIP;20Kohm,5%,1/16W,DA,TP,1608		R656	2007-000090	R-CHIP;10Kohm,5%,1/16W,DA,TP,1608	
R516	2007-000093	R-CHIP;20Kohm,5%,1/16W,DA,TP,1608		R657	2007-000090	R-CHIP;10Kohm,5%,1/16W,DA,TP,1608	
R517	2007-000094	R-CHIP;22Kohm,5%,1/16W,DA,TP,1608		R658	2007-000102	R-CHIP;100Kohm,5%,1/16W,DA,TP,1608	
R518	2007-000106	R-CHIP;220Kohm,5%,1/16W,DA,TP,1608		R659	2007-000078	R-CHIP;1Kohm,5%,1/16W,DA,TP,1608	
R519	2007-000458	R-CHIP;18Kohm,5%,1/16W,DA,TP,1608		R660	2007-000078	R-CHIP;1Kohm,5%,1/16W,DA,TP,1608	
R523	2007-000097	R-CHIP;47Kohm,5%,1/16W,DA,TP,1608		R662	2007-000090	R-CHIP;10Kohm,5%,1/16W,DA,TP,1608	
R524	2007-000123	R-CHIP;1.5Kohm,5%,1/16W,DA,TP,1608		R663	2007-000078	R-CHIP;1Kohm,5%,1/16W,DA,TP,1608	
R525	2007-000122	R-CHIP;1.2Kohm,5%,1/16W,DA,TP,1608		R664	2007-001643	R-CHIP;100Kohm,0.5%,1/16W,DA,TP,1608	
R526	2007-000097	R-CHIP;47Kohm,5%,1/16W,DA,TP,1608		R665	2007-000102	R-CHIP;100Kohm,5%,1/16W,DA,TP,1608	
R530	2007-000483	R-CHIP;1ohm,5%,1/10W,DA,TP,2012		R667	2007-000077	R-CHIP;470ohm,5%,1/16W,DA,TP,1608	
R531	2007-000483	R-CHIP;1ohm,5%,1/10W,DA,TP,2012		R668	2007-000077	R-CHIP;470ohm,5%,1/16W,DA,TP,1608	
R532	2007-000483	R-CHIP;1ohm,5%,1/10W,DA,TP,2012		R669	2007-000077	R-CHIP;470ohm,5%,1/16W,DA,TP,1608	
R533	2007-000483	R-CHIP;1ohm,5%,1/10W,DA,TP,2012		R670	2007-000090	R-CHIP;10Kohm,5%,1/16W,DA,TP,1608	
R536	2007-000090	R-CHIP;10Kohm,5%,1/16W,DA,TP,1608		R671	2007-000090	R-CHIP;10Kohm,5%,1/16W,DA,TP,1608	
R537	2007-000090	R-CHIP;10Kohm,5%,1/16W,DA,TP,1608		R672	2007-000090	R-CHIP;10Kohm,5%,1/16W,DA,TP,1608	
R538	2007-000090	R-CHIP;10Kohm,5%,1/16W,DA,TP,1608		R673	2007-000090	R-CHIP;10Kohm,5%,1/16W,DA,TP,1608	
R540	2007-000077	R-CHIP;470ohm,5%,1/16W,DA,TP,1608		R674	2007-000102	R-CHIP;100Kohm,5%,1/16W,DA,TP,1608	
R541	2007-000090	R-CHIP;10Kohm,5%,1/16W,DA,TP,1608		R675	2007-000102	R-CHIP;100Kohm,5%,1/16W,DA,TP,1608	
R542	2007-000090	R-CHIP;10Kohm,5%,1/16W,DA,TP,1608		R676	2007-000102	R-CHIP;100Kohm,5%,1/16W,DA,TP,1608	
R543	2007-000091	R-CHIP;12Kohm,5%,1/16W,DA,TP,1608		R677	2007-000102	R-CHIP;100Kohm,5%,1/16W,DA,TP,1608	
R544	2007-000090	R-CHIP;10Kohm,5%,1/16W,DA,TP,1608		R678	2007-000077	R-CHIP;470ohm,5%,1/16W,DA,TP,1608	

Electrical Parts List

Loc.No	Part No	Desc & Spec	Remark	Loc.No	Part No	Desc & Spec	Remark
R679	2007-000102	R-CHIP:100Kohm,5%,1/16W,DA,TP,1608		C220	2404-000139	C-TA,CHIP:10uF,20%,6.3V,-,3216,-,TP	
R683	2007-000078	R-CHIP:1Kohm,5%,1/16W,DA,TP,1608		C221	2203-000357	C-CERAMIC,CHIP:150pF,5%,50V,NPO,TP,1608,	
R684	2007-000084	R-CHIP:4.7Kohm,5%,1/16W,DA,TP,1608		C222	2203-001573	C-CERAMIC,CHIP:12pF,5%,50V,CH,1608,1.6mm	
R686	2007-000070	R-CHIP:0ohm,5%,1/16W,DA,TP,1608		C223	2404-000139	C-TA,CHIP:10uF,20%,6.3V,-,3216,-,TP	
R687	2007-000070	R-CHIP:0ohm,5%,1/16W,DA,TP,1608		C224	2203-000919	C-CERAMIC,CHIP:470nF,+80-20%,16V,Y5V,TP,	
R689	2007-000070	R-CHIP:0ohm,5%,1/16W,DA,TP,1608		C225	2203-000257	C-CERAMIC,CHIP:10nF,10%,50V,X7R,1608,-,T	
R690	2007-000090	R-CHIP:10Kohm,5%,1/16W,DA,TP,1608		C226	2404-000139	C-TA,CHIP:10uF,20%,6.3V,-,3216,-,TP	
R691	2007-000102	R-CHIP:100Kohm,5%,1/16W,DA,TP,1608		C227	2203-000477	C-CERAMIC,CHIP:1uF,+80-20%,16V,Y5V,TP,20	
R692	2007-000090	R-CHIP:10Kohm,5%,1/16W,DA,TP,1608		C228	2203-001402	C-CERAMIC,CHIP:220nF,+80-20%,16V	
R697	2007-000078	R-CHIP:1Kohm,5%,1/16W,DA,TP,1608		C229	2404-000232	C-TA,CHIP:4.7uF,20%,10V,WT,3216,-,TP	
SW501	AD34-201008	SWITCH-MODE;8EA,13MM/6.5MM,REEL,3V		C230	2402-001008	C-AL,SMD;220uF,20%,4V,-,6.6x6.6x5.4mm,2	
SW502	3403-000126	SWITCH-PUSH;12V,100MA,-,-		C231	2203-000257	C-CERAMIC,CHIP:10nF,10%,50V,X7R,1608,-,T	
XT601	2801-001449	CRYSTAL-SM D;32.768KHZ,20PPM,28-AAW,12.5P		C232	2404-001039	C-TA,CHIP:47uF,20%,6.3V,GP,TP,3528,-	
XT602	2801-003239	CRYSTAL-SM D;11.71875MHz,50ppm,28-ABL,13p		C233	2404-000139	C-TA,CHIP:10uF,20%,6.3V,-,3216,-,TP	
VIDEO BLOCK				C234	2203-000257	C-CERAMIC,CHIP:10nF,10%,50V,X7R,1608,-,T	
C101	2203-001609	C-CERAMIC,CHIP:22nF,10%,16V,X7R,TP,1608,		C236	2203-000257	C-CERAMIC,CHIP:10nF,10%,50V,X7R,1608,-,T	
C102	2203-000257	C-CERAMIC,CHIP:10nF,10%,50V,X7R,1608,-,T		C237	2203-000257	C-CERAMIC,CHIP:10nF,10%,50V,X7R,1608,-,T	
C103	2203-000257	C-CERAMIC,CHIP:10nF,10%,50V,X7R,1608,-,T		C238	2203-000257	C-CERAMIC,CHIP:10nF,10%,50V,X7R,1608,-,T	
C104	2203-000257	C-CERAMIC,CHIP:10nF,10%,50V,X7R,1608,-,T		C239	2203-001556	C-CERAMIC,CHIP:100nF,+80-20%,25V,Y5V,TP,	
C105	2203-000257	C-CERAMIC,CHIP:10nF,10%,50V,X7R,1608,-,T		C241	2203-001658	C-CERAMIC,CHIP:47pF,5%,50V,CH,1608,1.6mm	
C106	2203-000257	C-CERAMIC,CHIP:10nF,10%,50V,X7R,1608,-,T		C242	2203-001568	C-CERAMIC,CHIP:110pF,5%,50V,CH,TP,1608,1	
C107	2203-000257	C-CERAMIC,CHIP:10nF,10%,50V,X7R,1608,-,T		C243	2203-001588	C-CERAMIC,CHIP:18pF,5%,50V,CH,1608,1.6mm	
C108	2203-000257	C-CERAMIC,CHIP:10nF,10%,50V,X7R,1608,-,T		C244	2203-000851	C-CERAMIC,CHIP:39pF,5%,50V,NPO,TP,1608,-	
C109	2203-000257	C-CERAMIC,CHIP:10nF,10%,50V,X7R,1608,-,T		C245	2203-000440	C-CERAMIC,CHIP:1nF,10%,50V,X7R,1608,-,TP	
C110	2203-001559	C-CERAMIC,CHIP:100pF,5%,50V,NPO,TP,1608,		C246	2404-000151	C-TA,CHIP:1uF,20%,16V,-,TP,3216,-	
C111	2203-001556	C-CERAMIC,CHIP:100nF,+80-20%,25V,Y5V,TP,		C247	2203-001103	C-CERAMIC,CHIP:6.8nF,10%,50V,X7R,TP,1608	
C112	2203-000257	C-CERAMIC,CHIP:10nF,10%,50V,X7R,1608,-,T		C248	2203-001609	C-CERAMIC,CHIP:22nF,10%,16V,X7R,TP,1608,	
C113	2203-000257	C-CERAMIC,CHIP:10nF,10%,50V,X7R,1608,-,T		C249	2404-000261	C-TA,CHIP:680nF,20%,20V,-,TP,3216,-	
C114	2203-001556	C-CERAMIC,CHIP:100nF,+80-20%,25V,Y5V,TP,		C250	2203-000440	C-CERAMIC,CHIP:1nF,10%,50V,X7R,1608,-,TP	
C115	2203-001559	C-CERAMIC,CHIP:100pF,5%,50V,NPO,TP,1608,		C251	2203-000477	C-CERAMIC,CHIP:1uF,+80-20%,16V,Y5V,TP,20	
C116	2203-000257	C-CERAMIC,CHIP:10nF,10%,50V,X7R,1608,-,T		C254	2203-000257	C-CERAMIC,CHIP:10nF,10%,50V,X7R,1608,-,T	
C117	2404-000198	C-TA,CHIP:22uF,20%,6.3V,-,TP,3528,-		C255	2404-000139	C-TA,CHIP:10uF,20%,6.3V,-,3216,-,TP	
C118	2203-000257	C-CERAMIC,CHIP:10nF,10%,50V,X7R,1608,-,T		C256	2203-000257	C-CERAMIC,CHIP:10nF,10%,50V,X7R,1608,-,T	
C120	2203-001556	C-CERAMIC,CHIP:100nF,+80-20%,25V,Y5V,TP,		C257	2203-000257	C-CERAMIC,CHIP:10nF,10%,50V,X7R,1608,-,T	
C121	2203-001559	C-CERAMIC,CHIP:100pF,5%,50V,NPO,TP,1608,		C258	2404-000232	C-TA,CHIP:4.7uF,20%,6.3V,-,TP,3216,-,TP	
C122	2203-000357	C-CERAMIC,CHIP:150pF,5%,50V,NPO,TP,1608,		C259	2203-000257	C-CERAMIC,CHIP:10nF,10%,50V,X7R,1608,-,T	
C123	2203-001686	C-CERAMIC,CHIP:75pF,5%,50V,CH,TP,1608,1.		C260	2404-000139	C-TA,CHIP:10uF,20%,6.3V,-,3216,-,TP	
C124	2404-000198	C-TA,CHIP:22uF,20%,6.3V,-,TP,3528,-		C261	2203-001658	C-CERAMIC,CHIP:47pF,5%,50V,CH,1608,1.6mm	
C125	2203-000257	C-CERAMIC,CHIP:10nF,10%,50V,X7R,1608,-,T		C262	2404-000139	C-TA,CHIP:10uF,20%,6.3V,-,3216,-,TP	
C126	2203-000257	C-CERAMIC,CHIP:10nF,10%,50V,X7R,1608,-,T		C263	2203-001636	C-CERAMIC,CHIP:33pF,5%,50V,NPO,TP,1608,1	
C151	2404-000139	C-TA,CHIP:10uF,20%,6.3V,-,3216,-,TP		C264	2404-000198	C-TA,CHIP:22uF,20%,6.3V,-,TP,3528,-	
C152	2203-000257	C-CERAMIC,CHIP:10nF,10%,50V,X7R,1608,-,T		C265	2203-000257	C-CERAMIC,CHIP:10nF,10%,50V,X7R,1608,-,T	
C153	2203-000257	C-CERAMIC,CHIP:10nF,10%,50V,X7R,1608,-,T		C266	2203-000257	C-CERAMIC,CHIP:10nF,10%,50V,X7R,1608,-,T	
C154	2203-001573	C-CERAMIC,CHIP:12pF,5%,50V,CH,1608,1.6mm		C267	2203-000477	C-CERAMIC,CHIP:1uF,+80-20%,16V,Y5V,TP,20	
C155	2203-000257	C-CERAMIC,CHIP:10nF,10%,50V,X7R,1608,-,T		C268	2203-001658	C-CERAMIC,CHIP:47pF,5%,50V,CH,1608,1.6mm	
C156	2203-000491	C-CERAMIC,CHIP:2.2nF,10%,50V,X7R,TP,1608		C269	2203-000062	C-CERAMIC,CHIP:47nF,+80-20%,50V,Y5V,1608	
C157	2203-001609	C-CERAMIC,CHIP:22nF,10%,16V,X7R,TP,1608,		C270	2203-000626	C-CERAMIC,CHIP:22pF,5%,50V,NPO,TP,1608,-	
C158	2203-001676	C-CERAMIC,CHIP:62pF,5%,50V,CH,TP,1608,1.		C285	2203-000257	C-CERAMIC,CHIP:10nF,10%,50V,X7R,1608,-,T	
C159	2203-001616	C-CERAMIC,CHIP:270pF,5%,50V,CH,1608,1.6m		C286	2203-000257	C-CERAMIC,CHIP:10nF,10%,50V,X7R,1608,-,T	
C163	2203-001588	C-CERAMIC,CHIP:15pF,5%,50V,CH,1608,1.6mm		C291	2404-000139	C-TA,CHIP:10uF,20%,6.3V,-,3216,-,TP	
C164	2203-000384	C-CERAMIC,CHIP:15pF,5%,50V,NPO,TP,1608,-		C301	2404-000139	C-TA,CHIP:10uF,20%,6.3V,-,3216,-,TP	
C165	2203-000257	C-CERAMIC,CHIP:10nF,10%,50V,X7R,1608,-,T		C302	2203-000257	C-CERAMIC,CHIP:10nF,10%,50V,X7R,1608,-,T	
C166	2203-000257	C-CERAMIC,CHIP:10nF,10%,50V,X7R,1608,-,T		C303	2203-000477	C-CERAMIC,CHIP:1uF,+80-20%,16V,Y5V,TP,20	
C167	2203-001609	C-CERAMIC,CHIP:22nF,10%,16V,X7R,TP,1608,		C304	2203-000257	C-CERAMIC,CHIP:10nF,10%,50V,X7R,1608,-,T	
C168	2203-001636	C-CERAMIC,CHIP:33pF,5%,50V,NPO,TP,1608,1		C306	2203-000477	C-CERAMIC,CHIP:1uF,+80-20%,16V,Y5V,TP,20	
C201	2203-000257	C-CERAMIC,CHIP:10nF,10%,50V,X7R,1608,-,T		C307	2203-000477	C-CERAMIC,CHIP:1uF,+80-20%,16V,Y5V,TP,20	
C202	2203-001640	C-CERAMIC,CHIP:390pF,10%,50V,X7R,TP,1608		C308	2203-001556	C-CERAMIC,CHIP:100nF,+80-20%,25V,Y5V,TP,	
C203	2203-001632	C-CERAMIC,CHIP:330pF,5%,50V,CH,1608,1.6m		C309	2203-000440	C-CERAMIC,CHIP:1nF,10%,50V,X7R,1608,-,TP	
C204	2404-000139	C-TA,CHIP:10uF,20%,6.3V,-,3216,-,TP		C310	2203-000440	C-CERAMIC,CHIP:1nF,10%,50V,X7R,1608,-,TP	
C205	2203-000257	C-CERAMIC,CHIP:10nF,10%,50V,X7R,1608,-,T		C311	2203-001588	C-CERAMIC,CHIP:18pF,5%,50V,CH,1608,1.6mm	
C206	2203-000477	C-CERAMIC,CHIP:1uF,+80-20%,16V,Y5V,TP,20		C312	2203-001618	C-CERAMIC,CHIP:27pF,5%,50V,CH,1608,1.6mm	
C207	2203-000357	C-CERAMIC,CHIP:150pF,5%,50V,NPO,TP,1608,		C313	2203-001559	C-CERAMIC,CHIP:100pF,5%,50V,NPO,TP,1608,	
C208	2203-001607	C-CERAMIC,CHIP:220pF,5%,50V,CH,1608,1.6m		C314	2203-001618	C-CERAMIC,CHIP:27pF,5%,50V,CH,1608,1.6mm	
C209	2404-000198	C-TA,CHIP:22uF,20%,6.3V,-,TP,3528,-		C315	2203-001618	C-CERAMIC,CHIP:27pF,5%,50V,CH,1608,1.6mm	
C211	2203-001697	C-CERAMIC,CHIP:82pF,5%,50V,CH,TP,1608,1.		C316	2203-000626	C-CERAMIC,CHIP:22pF,5%,50V,NPO,TP,1608,-	
C212	2404-000139	C-TA,CHIP:10uF,20%,6.3V,-,3216,-,TP		C317	2203-001658	C-CERAMIC,CHIP:47pF,5%,50V,CH,1608,1.6mm	
C214	2404-000139	C-TA,CHIP:10uF,20%,6.3V,-,3216,-,TP		C318	2203-000626	C-CERAMIC,CHIP:22pF,5%,50V,NPO,TP,1608,-	
C215	2203-000257	C-CERAMIC,CHIP:10nF,10%,50V,X7R,1608,-,T		C319	2203-001559	C-CERAMIC,CHIP:100pF,5%,50V,NPO,TP,1608,	
C216	2404-000166	C-TA,CHIP:2.2uF,20%,10V,-,TP,3216,-		C320	2203-001658	C-CERAMIC,CHIP:47pF,5%,50V,CH,1608,1.6mm	
C217	2404-000166	C-TA,CHIP:2.2uF,20%,10V,-,TP,3216,-		C321	2203-001658	C-CERAMIC,CHIP:47pF,5%,50V,CH,1608,1.6mm	
C218	2404-000139	C-TA,CHIP:10uF,20%,6.3V,-,3216,-,TP		C322	2203-001567	C-CERAMIC,CHIP:10pF,0.5pF,50V,CH,1608,1.	
C219	2203-000477	C-CERAMIC,CHIP:1uF,+80-20%,16V,Y5V,TP,20		C323	2203-001567	C-CERAMIC,CHIP:10pF,0.5pF,50V,CH,1608,1.	
				C324	2203-001683	C-CERAMIC,CHIP:68pF,5%,50V,CH,TP,1608,1.	

Loc.No	Part No	Desc & Spec	Remark
C325	2404-000139	C-TA,CHIP:10uF,20%,6.3V,-,3216,-,TP	
C326	2404-000139	C-TA,CHIP:10uF,20%,6.3V,-,3216,-,TP	
C331	2203-001588	C-CERAMIC,CHIP:18pF,5%,50V,CH,1608,1.6mm	
C351	2203-000257	C-CERAMIC,CHIP:10nF,10%,50V,X7R,1608,-,T	
C352	2404-000139	C-TA,CHIP:10uF,20%,6.3V,-,3216,-,TP	
C353	2203-001568	C-CERAMIC,CHIP:110PF,5%,50V,CH,TP,1608,1	
C354	2404-000232	C-TA,CHIP:4.7uF,20%,10V,WT,3216,-,TP	
C355	2203-000440	C-CERAMIC,CHIP:1nF,10%,50V,X7R,1608,-,TP	
C356	2203-000440	C-CERAMIC,CHIP:1nF,10%,50V,X7R,1608,-,TP	
C357	2203-001640	C-CERAMIC,CHIP:390PF,10%,50V,X7R,TP,1608	
C358	2203-000477	C-CERAMIC,CHIP:1uF,+80-20%,16V,Y5V,TP,20	
C359	2203-000440	C-CERAMIC,CHIP:1nF,10%,50V,X7R,1608,-,TP	
C360	2203-000477	C-CERAMIC,CHIP:1uF,+80-20%,16V,Y5V,TP,20	
C361	2203-000257	C-CERAMIC,CHIP:10nF,10%,50V,X7R,1608,-,T	
C362	2203-000257	C-CERAMIC,CHIP:10nF,10%,50V,X7R,1608,-,T	
C363	2203-001567	C-CERAMIC,CHIP:10pF,0.5pF,50V,CH,1608,1.	
CN101	3708-001243	CONNECTOR-FPC/FPC:11P,1MM,SMD-A,SN	
D151	0407-000145	DIODE-ARRAY:DCC010,-80V,100mA,C2-3,SOT2	
D201	0407-000115	DIODE-ARRAY:DAN202U,80V,100mA,CA2-3,SC-7	
D202	0401-000171	DIODE-SWITCHING:MA111,80V,100mA,-,3nS,SM	
D203	0407-000145	DIODE-ARRAY:DCC010,-80V,100mA,C2-3,SOT2	
D351	0401-000171	DIODE-SWITCHING:MA111,80V,100mA,-,3nS,SM	
IC101	1201-001087	IC-PREAMP:52369,0FP,48P,-,SINGLE,-,PLAST	
IC201	AC14-12012G	IC:CXA1700R,0FP,-	
IC202	1201-001083	IC-ACC AMP:1211,SOP,8P,225MIL,DUAL,5dB,P	
IC203	AC14-12015G	IC-LINEAR:NJ M2249V,SSOP,TAPE	
IC302	1209-001044	IC-DELAY LINE:CXL5517N,SOP,20P,173MIL,PL	
IC351	AC14-12012S	IC:M52358VP,SOP,-	
L101	2703-000399	INDUCTOR-SMD:100uH,10%,3.2x2.5x2.2mm	
L102	2703-000397	INDUCTOR-SMD:33uH,10%,2.5x2x1.8mm	
L103	2703-001493	INDUCTOR-SMD:10uH,5%,2.5x2.0x1.8	
L151	2703-000397	INDUCTOR-SMD:33uH,10%,2.5x2x1.8mm	
L152	2703-001494	INDUCTOR-SMD:100uH,5%,2.5x2.0x1.8	
L153	2703-000388	INDUCTOR-SMD:470uH,5%,3.2x2.5x2.2mm	
L154	2703-000381	INDUCTOR-SMD:180uH,5%,3.2x2.5x2.2mm	
L155	2703-000381	INDUCTOR-SMD:180uH,5%,3.2x2.5x2.2mm	
L157	2703-000372	INDUCTOR-SMD:56uH,5%,2.5x2x1.8mm	
L158	2703-001493	INDUCTOR-SMD:10uH,5%,2.5x2.0x1.8	
L202	2703-000409	INDUCTOR-SMD:47uH,10%,3.2x2.5x2.2mm	
L203	2703-000403	INDUCTOR-SMD:22uH,10%,3.2x2.5x2.2mm	
L205	2703-001494	INDUCTOR-SMD:100uH,5%,2.5x2.0x1.8	
L206	2703-000385	INDUCTOR-SMD:330uH,5%,3.2x2.5x2.2mm	
L208	2703-000366	INDUCTOR-SMD:82uH,5%,2.5x2x1.8mm	
L209	2703-000397	INDUCTOR-SMD:33uH,10%,2.5x2x1.8mm	
L210	2703-000397	INDUCTOR-SMD:33uH,10%,2.5x2x1.8mm	
L211	2703-000366	INDUCTOR-SMD:22uH,5%,2.5x2x1.8mm	
L212	2703-000376	INDUCTOR-SMD:47uH,5%,2.5x2x1.8mm	
L301	2703-000397	INDUCTOR-SMD:33uH,10%,2.5x2x1.8mm	
L302	2703-000397	INDUCTOR-SMD:33uH,10%,2.5x2x1.8mm	
L303	2703-000367	INDUCTOR-SMD:33uH,5%,2.5x2x1.8mm	
L304	2703-001493	INDUCTOR-SMD:10uH,5%,2.5x2.0x1.8	
L305	2703-001498	INDUCTOR-SMD:4.7uH,5%,2.5x2.0x1.8	
L306	2703-000367	INDUCTOR-SMD:33uH,5%,2.5x2x1.8mm	
L307	2703-001498	INDUCTOR-SMD:4.7uH,5%,2.5x2.0x1.8	
L351	2703-000403	INDUCTOR-SMD:22uH,10%,3.2x2.5x2.2mm	
Q102	0506-000148	TR-ARRAY;UM T2N,PNP,2,-50V,40V,-100MA,3	
Q151	0501-000218	TR-SMALL SIGNAL:2SC4081,NPN,200mW,UMT,TP	
Q152	0501-000218	TR-SMALL SIGNAL:2SC4081,NPN,200mW,UMT,TP	
Q154	0504-000107	TR-DIGITAL:DTA144EU,PNP,200mW,47K-47K,SC	
Q156	0501-000207	TR-SMALL SIGNAL:2SC3142,NPN,150MW,SOT-23	
Q157	0501-000218	TR-SMALL SIGNAL:2SC4081,NPN,200mW,UMT,TP	
Q201	0501-000218	TR-SMALL SIGNAL:2SC4081,NPN,200mW,UMT,TP	
Q206	0506-000150	TR-ARRAY;UM X2N,NPN,2,50V,40V,100MA,300M	
Q207	0506-000151	TR-ARRAY;UM ZIN,NPN/PNP,1.50V,40V,100MA,	
Q208	0506-000150	TR-ARRAY;UM X2N,NPN,2,50V,40V,100MA,300M	
Q210	0504-000107	TR-DIGITAL:DTA144EU,PNP,200mW,47K-47K,SC	
Q211	0501-000218	TR-SMALL SIGNAL:2SC4081,NPN,200mW,UMT,TP	
Q212	0506-000151	TR-ARRAY;UM ZIN,NPN/PNP,1.50V,40V,100MA,	
Q213	0501-000162	TR-SMALL SIGNAL:2SA1576,PNP,200mW,SC-70,	
Q214	0506-000150	TR-ARRAY;UM X2N,NPN,2,50V,40V,100MA,300M	
Q215	0506-000150	TR-ARRAY;UM X2N,NPN,2,50V,40V,100MA,300M	
Q216	0506-000146	TR-ARRAY;UM H6N,NPN,2,150MW,UM 6,TP,68	
Q218	0501-000218	TR-SMALL SIGNAL:2SC4081,NPN,200mW,UMT,TP	

Loc.No	Part No	Desc & Spec	Remark
Q219	0501-000162	TR-SMALL SIGNAL:2SA1576,PNP,200mW,SC-70,	
Q220	0504-000177	TR-DIGITAL:DTC143EU,NPN,200mW,4,7K-4.7K	
Q221	0504-000113	TR-DIGITAL:DTC144EU,NPN,200mW,47K-47K,S	
Q222	0504-000177	TR-DIGITAL:DTC143EU,NPN,200mW,4,7K-4.7K	
Q223	0504-000105	TR-DIGITAL:DTA114EU,PNP,200mW,10K-10K,SC	
Q224	0504-000113	TR-DIGITAL:DTC144EU,NPN,200mW,47K-47K,S	
Q231	0506-000150	TR-ARRAY;UM X2N,NPN,2,50V,40V,100MA,300M	
Q301	0506-000150	TR-ARRAY;UM X2N,NPN,2,50V,40V,100MA,300M	
Q302	0506-000150	TR-ARRAY;UM X2N,NPN,2,50V,40V,100MA,300M	
Q303	0501-000218	TR-SMALL SIGNAL:2SC4081,NPN,200mW,UMT,TP	
Q304	0504-000107	TR-DIGITAL:DTA144EU,PNP,200mW,47K-47K,SC	
Q305	0506-000150	TR-ARRAY;UM X2N,NPN,2,50V,40V,100MA,300M	
Q306	0501-000162	TR-SMALL SIGNAL:2SA1576,PNP,200mW,SC-70,	
Q351	0506-000146	TR-ARRAY;UM H6N,NPN,2,150MW,UM 6,TP,68	
Q352	0506-000146	TR-ARRAY;UM H6N,NPN,2,150MW,UM 6,TP,68	
Q353	0504-000107	TR-DIGITAL:DTA144EU,PNP,200mW,47K-47K,SC	
Q354	0501-000218	TR-SMALL SIGNAL:2SC4081,NPN,200mW,UMT,TP	
Q355	0504-000107	TR-DIGITAL:DTA144EU,PNP,200mW,47K-47K,SC	
Q381	0501-000162	TR-SMALL SIGNAL:2SA1576,PNP,200mW,SC-70,	
Q382	0504-000113	TR-DIGITAL:DTC144EU,NPN,200mW,47K-47K,S	
R103	2007-000099	R-CHIP:62Kohm,5%,1/16W,DA,TP,1608	
R104	2007-000123	R-CHIP:1.5Kohm,5%,1/16W,DA,TP,1608	
R105	2007-000082	R-CHIP:3.3Kohm,5%,1/16W,DA,TP,1608	
R106	2007-000077	R-CHIP:470ohm,5%,1/16W,DA,TP,1608	
R107	2007-001179	R-CHIP:8.2Kohm,5%,1/16W,DA,TP,1608	
R108	2007-001179	R-CHIP:8.2Kohm,5%,1/16W,DA,TP,1608	
R109	2007-000078	R-CHIP:1Kohm,5%,1/16W,DA,TP,1608	
R110	2007-000078	R-CHIP:1Kohm,5%,1/16W,DA,TP,1608	
R112	2007-000450	R-CHIP:180ohm,5%,1/16W,DA,TP,1608	
R113	2007-000075	R-CHIP:220ohm,5%,1/16W,DA,TP,1608	
R114	2007-000075	R-CHIP:220ohm,5%,1/16W,DA,TP,1608	
R115	2007-000450	R-CHIP:180ohm,5%,1/16W,DA,TP,1608	
R117	2007-000071	R-CHIP:22ohm,5%,1/16W,DA,TP,1608	
R118	2007-000643	R-CHIP:270ohm,5%,1/16W,DA,TP,1608	
R119	2007-000075	R-CHIP:220ohm,5%,1/16W,DA,TP,1608	
R120	2007-000094	R-CHIP:22Kohm,5%,1/16W,DA,TP,1608	
R121	2007-000134	R-CHIP:33Kohm,5%,1/16W,DA,TP,1608	
R122	2007-000082	R-CHIP:3.3Kohm,5%,1/16W,DA,TP,1608	
R127	2007-000078	R-CHIP:1Kohm,5%,1/16W,DA,TP,1608	
R131	2007-001179	R-CHIP:8.2Kohm,5%,1/16W,DA,TP,1608	
R132	2007-001179	R-CHIP:8.2Kohm,5%,1/16W,DA,TP,1608	
R151	2007-000070	R-CHIP:0ohm,5%,1/16W,DA,TP,1608	
R152	2007-000458	R-CHIP:18Kohm,5%,1/16W,DA,TP,1608	
R153	2007-000094	R-CHIP:22Kohm,5%,1/16W,DA,TP,1608	
R154	2007-000134	R-CHIP:33Kohm,5%,1/16W,DA,TP,1608	
R155	2007-000458	R-CHIP:18Kohm,5%,1/16W,DA,TP,1608	
R156	2203-000257	C-CERAMIC,CHIP:10nF,10%,50V,X7R,1608,-,T	
R157	2007-000119	R-CHIP:560ohm,5%,1/16W,DA,TP,1608	
R159	2007-000119	R-CHIP:560ohm,5%,1/16W,DA,TP,1608	
R160	2007-000124	R-CHIP:2.2Kohm,5%,1/16W,DA,TP,1608	
R161	2007-000078	R-CHIP:1Kohm,5%,1/16W,DA,TP,1608	
R162	2007-000079	R-CHIP:1.8Kohm,5%,1/16W,DA,TP,1608	
R163	2007-000078	R-CHIP:1Kohm,5%,1/16W,DA,TP,1608	
R165	2007-000124	R-CHIP:2.2Kohm,5%,1/16W,DA,TP,1608	
R166	2007-000122	R-CHIP:1.2Kohm,5%,1/16W,DA,TP,1608	
R167	2007-000077	R-CHIP:470ohm,5%,1/16W,DA,TP,1608	
R168	2007-000119	R-CHIP:560ohm,5%,1/16W,DA,TP,1608	
R169	2007-000079	R-CHIP:1.8Kohm,5%,1/16W,DA,TP,1608	
R170	2007-000119	R-CHIP:560ohm,5%,1/16W,DA,TP,1608	
R171	2007-000134	R-CHIP:33Kohm,5%,1/16W,DA,TP,1608	
R172	2007-000078	R-CHIP:1Kohm,5%,1/16W,DA,TP,1608	
R173	2007-000092	R-CHIP:15Kohm,5%,1/16W,DA,TP,1608	
R174	2007-000077	R-CHIP:470ohm,5%,1/16W,DA,TP,1608	
R175	2007-000077	R-CHIP:470ohm,5%,1/16W,DA,TP,1608	
R176	2007-000121	R-CHIP:820ohm,5%,1/16W,DA,TP,1608	
R177	2007-000124	R-CHIP:2.2Kohm,5%,1/16W,DA,TP,1608	
R201	2007-000219	R-CHIP:1.2Kohm,1%,1/16W,DA,TP,1608	
R202	2007-000929	R-CHIP:470ohm,1%,1/16W,DA,TP,1608	
R203	2007-000683	R-CHIP:3.3Kohm,1%,1/16W,DA,TP,1608	
R204	2007-000121	R-CHIP:820ohm,5%,1/16W,DA,TP,1608	
R205	2007-000124	R-CHIP:2.2Kohm,5%,1/16W,DA,TP,1608	
R206	2007-000121	R-CHIP:820ohm,5%,1/16W,DA,TP,1608	
R208	2007-000123	R-CHIP:1.5Kohm,5%,1/16W,DA,TP,1608	

Electrical Parts List

Loc.No	Part No	Desc & Spec	Remark	Loc.No	Part No	Desc & Spec	Remark
R209	2007-000092	R-CHIP:15Kohm,5%,1/16W,DA,TP,1608		R295	2007-000082	R-CHIP:3.3Kohm,5%,1/16W,DA,TP,1608	
R210	2007-000090	R-CHIP:10Kohm,5%,1/16W,DA,TP,1608		R302	2007-001026	R-CHIP:560Kohm,5%,1/16W,DA,TP,1608	
R213	2007-000090	R-CHIP:10Kohm,5%,1/16W,DA,TP,1608		R303	2007-000120	R-CHIP:680ohm,5%,1/16W,DA,TP,1608	
R214	2007-000839	R-CHIP:39ohm,5%,1/16W,DA,TP,1608		R304	2007-000512	R-CHIP:2.4Kohm,5%,1/16W,DA,TP,1608	
R215	2007-000839	R-CHIP:39ohm,5%,1/16W,DA,TP,1608		R305	2007-000077	R-CHIP:470ohm,5%,1/16W,DA,TP,1608	
R216	2007-000043	R-CHIP:1Kohm,1%,1/16W,DA,TP,1608		R306	2007-001134	R-CHIP:68ohm,5%,1/16W,DA,TP,1608	
R217	2007-000043	R-CHIP:1Kohm,1%,1/16W,DA,TP,1608		R307	2007-000643	R-CHIP:270ohm,5%,1/16W,DA,TP,1608	
R218	2007-001179	R-CHIP:8.2Kohm,5%,1/16W,DA,TP,1608		R308	2007-000120	R-CHIP:680ohm,5%,1/16W,DA,TP,1608	
R219	2007-000130	R-CHIP:39Kohm,5%,1/16W,DA,TP,1608		R309	2007-000075	R-CHIP:220ohm,5%,1/16W,DA,TP,1608	
R220	2007-000130	R-CHIP:39Kohm,5%,1/16W,DA,TP,1608		R310	2007-000078	R-CHIP:1Kohm,5%,1/16W,DA,TP,1608	
R221	2007-000100	R-CHIP:68Kohm,5%,1/16W,DA,TP,1608		R311	2007-000122	R-CHIP:1.2Kohm,5%,1/16W,DA,TP,1608	
R222	2007-000125	R-CHIP:3.9Kohm,5%,1/16W,DA,TP,1608		R312	2007-000120	R-CHIP:680ohm,5%,1/16W,DA,TP,1608	
R223	2007-000078	R-CHIP:1Kohm,5%,1/16W,DA,TP,1608		R313	2007-000079	R-CHIP:1.8Kohm,5%,1/16W,DA,TP,1608	
R224	2007-000086	R-CHIP:5.6Kohm,5%,1/16W,DA,TP,1608		R314	2007-000839	R-CHIP:39ohm,5%,1/16W,DA,TP,1608	
R225	2007-000458	R-CHIP:18Kohm,5%,1/16W,DA,TP,1608		R315	2007-000119	R-CHIP:560ohm,5%,1/16W,DA,TP,1608	
R226	2007-000090	R-CHIP:10Kohm,5%,1/16W,DA,TP,1608		R316	2007-000084	R-CHIP:4.7Kohm,5%,1/16W,DA,TP,1608	
R227	2007-000458	R-CHIP:18Kohm,5%,1/16W,DA,TP,1608		R317	2007-000078	R-CHIP:1Kohm,5%,1/16W,DA,TP,1608	
R228	2007-000078	R-CHIP:1Kohm,5%,1/16W,DA,TP,1608		R319	2007-000121	R-CHIP:820ohm,5%,1/16W,DA,TP,1608	
R231	2007-000082	R-CHIP:3.3Kohm,5%,1/16W,DA,TP,1608		R320	2007-000078	R-CHIP:1Kohm,5%,1/16W,DA,TP,1608	
R232	2007-000125	R-CHIP:3.9Kohm,5%,1/16W,DA,TP,1608		R321	2007-000078	R-CHIP:1Kohm,5%,1/16W,DA,TP,1608	
R233	2007-000090	R-CHIP:10Kohm,5%,1/16W,DA,TP,1608		R322	2007-000078	R-CHIP:1Kohm,5%,1/16W,DA,TP,1608	
R234	2007-000078	R-CHIP:1Kohm,5%,1/16W,DA,TP,1608		R326	2007-000070	R-CHIP:0ohm,5%,1/16W,DA,TP,1608	
R236	2007-000109	R-CHIP:1M ohm,5%,1/16W,DA,TP,1608		R329	2007-000101	R-CHIP:82Kohm,5%,1/16W,DA,TP,1608	
R237	2007-000094	R-CHIP:22Kohm,5%,1/16W,DA,TP,1608		R330	2007-000116	R-CHIP:120ohm,5%,1/16W,DA,TP,1608	
R238	2007-000076	R-CHIP:330ohm,5%,1/16W,DA,TP,1608		R331	2007-000090	R-CHIP:10Kohm,5%,1/16W,DA,TP,1608	
R239	2007-000077	R-CHIP:470ohm,5%,1/16W,DA,TP,1608		R332	2007-000078	R-CHIP:1Kohm,5%,1/16W,DA,TP,1608	
R240	2007-000074	R-CHIP:100ohm,5%,1/16W,DA,TP,1608		R335	2007-000077	R-CHIP:470ohm,5%,1/16W,DA,TP,1608	
R243	2007-000119	R-CHIP:560ohm,5%,1/16W,DA,TP,1608		R336	2007-000070	R-CHIP:0ohm,5%,1/16W,DA,TP,1608	
R244	2007-000120	R-CHIP:680ohm,5%,1/16W,DA,TP,1608		R339	2007-000070	R-CHIP:0ohm,5%,1/16W,DA,TP,1608	
R246	2007-000090	R-CHIP:10Kohm,5%,1/16W,DA,TP,1608		R351	2007-000084	R-CHIP:4.7Kohm,5%,1/16W,DA,TP,1608	
R247	2007-000119	R-CHIP:560ohm,5%,1/16W,DA,TP,1608		R352	2007-000124	R-CHIP:2.2Kohm,5%,1/16W,DA,TP,1608	
R248	2007-000119	R-CHIP:560ohm,5%,1/16W,DA,TP,1608		R353	2007-000082	R-CHIP:3.3Kohm,5%,1/16W,DA,TP,1608	
R249	2007-000078	R-CHIP:1Kohm,5%,1/16W,DA,TP,1608		R354	2007-000090	R-CHIP:10Kohm,5%,1/16W,DA,TP,1608	
R250	2007-000078	R-CHIP:1Kohm,5%,1/16W,DA,TP,1608		R355	2007-000097	R-CHIP:47Kohm,5%,1/16W,DA,TP,1608	
R251	2007-000120	R-CHIP:680ohm,5%,1/16W,DA,TP,1608		R356	2007-000124	R-CHIP:2.2Kohm,5%,1/16W,DA,TP,1608	
R252	2007-000078	R-CHIP:1Kohm,5%,1/16W,DA,TP,1608		R357	2007-000102	R-CHIP:100Kohm,5%,1/16W,DA,TP,1608	
R253	2007-000123	R-CHIP:1.5Kohm,5%,1/16W,DA,TP,1608		R358	2007-000102	R-CHIP:100Kohm,5%,1/16W,DA,TP,1608	
R254	2007-000078	R-CHIP:1Kohm,5%,1/16W,DA,TP,1608		R359	2007-000094	R-CHIP:22Kohm,5%,1/16W,DA,TP,1608	
R255	2007-000078	R-CHIP:1Kohm,5%,1/16W,DA,TP,1608		R360	2007-000090	R-CHIP:10Kohm,5%,1/16W,DA,TP,1608	
R256	2007-001179	R-CHIP:8.2Kohm,5%,1/16W,DA,TP,1608		R361	2007-000102	R-CHIP:100Kohm,5%,1/16W,DA,TP,1608	
R257	2007-000090	R-CHIP:10Kohm,5%,1/16W,DA,TP,1608		R362	2007-000097	R-CHIP:47Kohm,5%,1/16W,DA,TP,1608	
R258	2007-000458	R-CHIP:18Kohm,5%,1/16W,DA,TP,1608		R364	2007-000121	R-CHIP:820ohm,5%,1/16W,DA,TP,1608	
R259	2007-000093	R-CHIP:20Kohm,5%,1/16W,DA,TP,1608		R366	2007-000090	R-CHIP:10Kohm,5%,1/16W,DA,TP,1608	
R261	2007-000078	R-CHIP:1Kohm,5%,1/16W,DA,TP,1608		R367	2007-000091	R-CHIP:12Kohm,5%,1/16W,DA,TP,1608	
R262	2007-000090	R-CHIP:10Kohm,5%,1/16W,DA,TP,1608		R368	2007-000078	R-CHIP:1Kohm,5%,1/16W,DA,TP,1608	
R263	2007-000078	R-CHIP:1Kohm,5%,1/16W,DA,TP,1608		R369	2007-000078	R-CHIP:1Kohm,5%,1/16W,DA,TP,1608	
R264	2007-000078	R-CHIP:1Kohm,5%,1/16W,DA,TP,1608		R371	2007-000097	R-CHIP:47Kohm,5%,1/16W,DA,TP,1608	
R265	2007-000123	R-CHIP:1.5Kohm,5%,1/16W,DA,TP,1608		R381	2007-000084	R-CHIP:4.7Kohm,5%,1/16W,DA,TP,1608	
R266	2007-000078	R-CHIP:1Kohm,5%,1/16W,DA,TP,1608		R382	2007-000078	R-CHIP:1Kohm,5%,1/16W,DA,TP,1608	
R267	2007-000078	R-CHIP:1Kohm,5%,1/16W,DA,TP,1608		R396	2007-000458	R-CHIP:18Kohm,5%,1/16W,DA,TP,1608	
R268	2007-000122	R-CHIP:1.2Kohm,5%,1/16W,DA,TP,1608		X201	2801-003240	CRYSTAL-SMD:4.433619M Hz,20ppm,28-ABN,SER	
R269	2007-000120	R-CHIP:680ohm,5%,1/16W,DA,TP,1608					
R270	2007-000120	R-CHIP:680ohm,5%,1/16W,DA,TP,1608					
R271	2007-000118	R-CHIP:390ohm,5%,1/16W,DA,TP,1608					
R272	2007-000090	R-CHIP:10Kohm,5%,1/16W,DA,TP,1608		154	AD90-10828G	ASSY-CCD BOARD-VP-L10,S8C-PAL-CCD	VP-L100/VP-L150
R273	2007-000078	R-CHIP:1Kohm,5%,1/16W,DA,TP,1608		154	AD90-10831H	ASSY-CCD BOARD-SC-L100/BASIC,NTSC 3	SCL150/SCL100
R274	2007-000120	R-CHIP:680ohm,5%,1/16W,DA,TP,1608		CC01	2203-000140	C-CERAM IC,CHIP:1.5nF,10%,50V,X7R,1608,-	
R275	2007-000078	R-CHIP:1Kohm,5%,1/16W,DA,TP,1608		CC02	2203-001556	C-CERAM IC,CHIP:100nF,+80-20%,25V,Y5V,TP	
R276	2007-000078	R-CHIP:1Kohm,5%,1/16W,DA,TP,1608		CC03	2404-000212	C-TA,CHIP:3.3uF,20%,25V,-,3528,-,TP	
R277	2007-000084	R-CHIP:4.7Kohm,5%,1/16W,DA,TP,1608		CC04	2203-001556	C-CERAM IC,CHIP:100nF,+80-20%,25V,Y5V,TP	
R278	2007-000081	R-CHIP:2.7Kohm,5%,1/16W,DA,TP,1608		CC05	2404-000212	C-TA,CHIP:3.3uF,20%,25V,-,3528,-,TP	
R279	2007-000123	R-CHIP:1.5Kohm,5%,1/16W,DA,TP,1608		CC06	2203-001556	C-CERAM IC,CHIP:100nF,+80-20%,25V,Y5V,TP	
R280	2007-000121	R-CHIP:820ohm,5%,1/16W,DA,TP,1608		CC07	2203-000257	C-CERAM IC,CHIP:10nF,10%,50V,X7R,1608,-T	
R281	2007-000121	R-CHIP:820ohm,5%,1/16W,DA,TP,1608		CC10	2404-000212	C-TA,CHIP:3.3uF,20%,25V,-,3528,-,TP	
R283	2007-000079	R-CHIP:1.8Kohm,5%,1/16W,DA,TP,1608		CNC01	3711-003315	CONNECTOR-HEADER;BOX,18P,2R,0.8MM,SMD-A,	
R284	2007-000119	R-CHIP:560ohm,5%,1/16W,DA,TP,1608		DC01	0401-000171	DIODE-SWITCHING;M A111,80V,100mA,-,3nS,SM	
R285	2007-000078	R-CHIP:1Kohm,5%,1/16W,DA,TP,1608		DC02	0401-000171	DIODE-SWITCHING;M A111,80V,100mA,-,3nS,SM	
R286	2007-000078	R-CHIP:1Kohm,5%,1/16W,DA,TP,1608		LC01	2703-000399	INDUCTOR-SMD:D:100uH,10%,3.2x2.5x2.2mm	
R287	2007-000078	R-CHIP:1Kohm,5%,1/16W,DA,TP,1608		QC01	0505-000180	FET-SILICON;2SK1070PIETR,-,150MW,SOT	
R288	2007-000078	R-CHIP:1Kohm,5%,1/16W,DA,TP,1608		RC01	2007-000109	R-CHIP:1M ohm,5%,1/16W,DA,TP,1608	
R289	2007-000078	R-CHIP:1Kohm,5%,1/16W,DA,TP,1608		RC02	2007-000074	R-CHIP:100ohm,5%,1/16W,DA,TP,1608	
R291	2007-000078	R-CHIP:1Kohm,5%,1/16W,DA,TP,1608		RC03	2007-000125	R-CHIP:3.9Kohm,5%,1/16W,DA,TP,1608	
R292	2007-000078	R-CHIP:1Kohm,5%,1/16W,DA,TP,1608		RC05	2007-000102	R-CHIP:100Kohm,5%,1/16W,DA,TP,1608	
R294	2007-000077	R-CHIP:470ohm,5%,1/16W,DA,TP,1608		RC06	2007-000102	R-CHIP:100Kohm,5%,1/16W,DA,TP,1608	

Loc.No	Part No	Desc & Spec	Remark	Loc.No	Part No	Desc & Spec	Remark
198	AD90-10810Q	ASSY-EVF BOARD;VP-L90,PAL	VP-L100/VP-L150	CL107	2404-000212	C-TA,CHIP:3.3uF,20%,25V,-,3528,-,TP	
198	AD90-10810R	ASSY-EVF BOARD;SCL90,NTSC	SCL150/SCL100	CL108	2404-000151	C-TA,CHIP:1uF,20%,16V,-,TP,3216,-	
CE01	2203-000308	C-CERAMIC,CHIP:120PF,5%,50V,NPO,TP,1608,		CL109	2404-000159	C-TA,CHIP:1uF,20%,35V,-,TP,3528,-	
CE02	2203-000477	C-CERAMIC,CHIP:1uF,+80-20%,16V,Y5V,TP,20		CL110	2404-000212	C-TA,CHIP:3.3uF,20%,25V,-,3528,-,TP	
CE03	2404-000112	C-TA,CHIP:100uF,20%,6.3V,WT,7343,-,TP		CL137	2404-000112	C-TA,CHIP:100uF,20%,6.3V,WT,7343,-,TP	
CE04	2203-000888	C-CERAMIC,CHIP:4.7nF,10%,50V,X7R,TP,1608		CL138	2203-001556	C-CERAMIC,CHIP:100nF,+80-20%,25V,Y5V,TP,	
CE05	2404-000175	C-TA,CHIP:2.2uF,20%,6.3V,WT,3216,1.1mm,T		CL148	2301-001051	C-FILM,CHIP:56nF,5%,50V,TP,4.8X3.3X1.4,0	
CE06	2306-000116	C-FILM,MPPF;100nF,5%,16V,C3225,2.5mm,TP		CL150	2203-005233	C-CERAMIC,CHIP:27PF,5%,3KV,CH,TP,4520,-	
CE07	2203-001556	C-CERAMIC,CHIP:100nF,+80-20%,25V,Y5V,TP,		CL157	2404-000139	C-TA,CHIP:10uF,20%,6.3V,-,3216,-,TP	
CE08	2404-000128	C-TA,CHIP:10uF,20%,16V,-,TP,6032,-		CL158	2203-001556	C-CERAMIC,CHIP:100nF,+80-20%,25V,Y5V,TP,	
CE09	2203-000357	C-CERAMIC,CHIP:150PF,5%,50V,NPO,TP,1608,		CL160	2404-000112	C-TA,CHIP:100uF,20%,6.3V,WT,7343,-,TP	
CE10	2402-000144	C-AL,SMD;3.3uF,20%,50V,GP,4x5.4mm,-,TP		CL161	2203-001556	C-CERAMIC,CHIP:100nF,+80-20%,25V,Y5V,TP,	
CE11	2203-000477	C-CERAMIC,CHIP:1uF,+80-20%,16V,Y5V,TP,20		CL201	2203-001556	C-CERAMIC,CHIP:100nF,+80-20%,25V,Y5V,TP,	
CE12	2404-000112	C-TA,CHIP:100uF,20%,6.3V,WT,7343,-,TP		CL203	2404-000198	C-TA,CHIP:22uF,20%,6.3V,-,TP,3528,-	
CE13	2404-000112	C-TA,CHIP:100uF,20%,6.3V,WT,7343,-,TP		CL204	2203-001556	C-CERAMIC,CHIP:100nF,+80-20%,25V,Y5V,TP,	
CE14	2404-000112	C-TA,CHIP:100uF,20%,6.3V,WT,7343,-,TP		CL207	2404-000151	C-TA,CHIP:1uF,20%,16V,-,TP,3216,-	
CE15	2309-000143	C-FILM,CHIP:3.9nF,5%,100V,-,TP		CL208	2203-000257	C-CERAMIC,CHIP:10nF,10%,50V,X7R,1608,-,T	
CE16	2203-001556	C-CERAMIC,CHIP:100nF,+80-20%,25V,Y5V,TP,		CL209	2203-001103	C-CERAMIC,CHIP:6.8nF,10%,50V,X7R,TP,1608	
CE17	2402-000144	C-AL,SMD;3.3uF,20%,50V,GP,4x5.4mm,-,TP		CL210	2404-000167	C-TA,CHIP:2.2uF,20%,16V,-,TP,3216,-	
CNE01	3711-000862	CONNECTOR-HEADER;BOX,3P,1R,1.25mm,SMD-A,		CL211	2203-000257	C-CERAMIC,CHIP:10nF,10%,50V,X7R,1608,-,T	
CNE02	3711-002173	CONNECTOR-HEADER;BOX,4P,1R,1.5,STRAIGHT,		CL212	2203-000257	C-CERAMIC,CHIP:10nF,10%,50V,X7R,1608,-,T	
DE01	0407-000151	DIODE-ARRAY;MA153,40V,100mA,C2-3,SOT-23,		CL213	2203-000257	C-CERAMIC,CHIP:10nF,10%,50V,X7R,1608,-,T	
DE02	0401-000173	DIODE-SWITCHING;MA151K,40V,100mA,-,3nS,S		CL214	2203-000257	C-CERAMIC,CHIP:10nF,10%,50V,X7R,1608,-,T	
DE03	0401-000166	DIODE-SWITCHING;MA158-TX,200V,100mA,-,-,		CL215	2203-000257	C-CERAMIC,CHIP:10nF,10%,50V,X7R,1608,-,T	
ICE01	AC14-12006W	IC-LINEAR;KA7007,SOP,-		CL216	2203-000257	C-CERAMIC,CHIP:10nF,10%,50V,X7R,1608,-,T	
LE01	2703-000409	INDUCTOR-SMD;47uH,10%,3.2x2.5x2.2mm		CL217	2203-000257	C-CERAMIC,CHIP:10nF,10%,50V,X7R,1608,-,T	
QE01	0501-000674	TR-SMALL SIGNAL;2SA1179,PNP,200MW,SOT-23		CL218	2203-000257	C-CERAMIC,CHIP:10nF,10%,50V,X7R,1608,-,T	
QE02	0501-000238	TR-SMALL SIGNAL;2SD968A,NPN,1W,SC-62,-,1		CL219	2203-000257	C-CERAMIC,CHIP:10nF,10%,50V,X7R,1608,-,T	
QE03	0501-000674	TR-SMALL SIGNAL;2SA1179,PNP,200MW,SOT-23		CL221	2203-000477	C-CERAMIC,CHIP:1uF,+80-20%,16V,Y5V,TP,20	
RE01	2007-000637	R-CHIP;270Kohm,5%,1/16W,DA,TP,1608		CL224	2203-000477	C-CERAMIC,CHIP:1uF,+80-20%,16V,Y5V,TP,20	
RE02	2007-000113	R-CHIP;33ohm,5%,1/16W,DA,TP,1608		CL225	2203-000477	C-CERAMIC,CHIP:1uF,+80-20%,16V,Y5V,TP,20	
RE03	2007-000084	R-CHIP;4.7Kohm,5%,1/16W,DA,TP,1608		CL226	2203-000477	C-CERAMIC,CHIP:1uF,+80-20%,16V,Y5V,TP,20	
RE04	2007-000107	R-CHIP;470Kohm,5%,1/16W,DA,TP,1608		CL227	2404-000139	C-TA,CHIP:10uF,20%,6.3V,-,3216,-,TP	
RE05	2007-000102	R-CHIP;100Kohm,5%,1/16W,DA,TP,1608		CL228	2203-001121	C-CERAMIC,CHIP:680PF,10%,50V,X7R,1608,-,	
RE06	2007-000097	R-CHIP;47Kohm,5%,1/16W,DA,TP,1608		CL229	2203-001556	C-CERAMIC,CHIP:100nF,+80-20%,16V,Y5V,TP,20	
RE07	2007-000637	R-CHIP;270Kohm,5%,1/16W,DA,TP,1608		CL230	2203-000257	C-CERAMIC,CHIP:10nF,10%,50V,X7R,1608,-,T	
RE08	2007-000074	R-CHIP;100ohm,5%,1/16W,DA,TP,1608		CL231	2203-002220	C-CERAMIC,CHIP:56PF,5%,50V,CH,TP,1608,-	
RE09	2007-000695	R-CHIP;3.3ohm,5%,1/16W,DA,TP,1608		CL232	2203-000257	C-CERAMIC,CHIP:10nF,10%,50V,X7R,1608,-,T	
RE10	2007-000079	R-CHIP;1.8Kohm,5%,1/16W,DA,TP,1608		CL233	2203-000062	C-CERAMIC,CHIP:47nF,+80-20%,50V,NPO,TP,1608	
RE11	B1335-0002	THERMISTOR-CHIP;NTC CS 3216 3BH 471KC 47		CL234	2203-000257	C-CERAMIC,CHIP:10nF,10%,50V,X7R,1608,-,T	
RE12	2007-000931	R-CHIP;470ohm,5%,1/10W,DA,TP,2012		CL235	2203-000257	C-CERAMIC,CHIP:10nF,10%,50V,X7R,1608,-,T	
RE13	2007-000078	R-CHIP;1Kohm,5%,1/16W,DA,TP,1608		CL236	2203-001697	C-CERAMIC,CHIP:82PF,5%,50V,CH,TP,1608,1	
RE14	2007-000081	R-CHIP;2.7Kohm,5%,1/16W,DA,TP,1608		CL237	2203-001556	C-CERAMIC,CHIP:100nF,+80-20%,25V,Y5V,TP,	
RE15	2007-000965	R-CHIP;5.1Kohm,5%,1/16W,DA,TP,1608		CL239	2203-000257	C-CERAMIC,CHIP:10nF,10%,50V,X7R,1608,-,T	
RE16	2007-000078	R-CHIP;1Kohm,5%,1/16W,DA,TP,1608		CL240	2404-000250	C-TA,CHIP:470nF,20%,25V,-,TP,3216,-	
RE17	2007-001056	R-CHIP;6.2Kohm,5%,1/16W,DA,TP,1608		CL242	2203-001688	C-CERAMIC,CHIP:7PF,0.5PF,50V,CH,TP,1608,	
RE18	2007-000101	R-CHIP;82Kohm,5%,1/16W,DA,TP,1608		CL245	2203-000626	C-CERAMIC,CHIP:22pF,5%,50V,NPO,TP,1608,-	
RE19	2007-001179	R-CHIP;8.2Kohm,5%,1/16W,DA,TP,1608		CL304	2404-000198	C-TA,CHIP:22uF,20%,6.3V,-,TP,3528,-	
RE20	2007-000130	R-CHIP;39Kohm,5%,1/16W,DA,TP,1608		CL309	2203-001556	C-CERAMIC,CHIP:100nF,+80-20%,25V,Y5V,TP,	
RE21	2007-000070	R-CHIP;0ohm,5%,1/16W,DA,TP,1608		CL310	2203-001703	C-CERAMIC,CHIP:560PF,10%,50V,X7R,TP,1608	
RE22	2007-000082	R-CHIP;3.3Kohm,5%,1/16W,DA,TP,1608		CL311	2203-001556	C-CERAMIC,CHIP:100nF,+80-20%,25V,Y5V,TP,	
RE23	2007-000029	R-CHIP;0ohm,5%,1/10W,DA,TP,2012		CL312	2203-000440	C-CERAMIC,CHIP:1nF,10%,50V,X7R,1608,-,TP	
RE24	2007-000029	R-CHIP;0ohm,5%,1/10W,DA,TP,2012		CL313	2203-001556	C-CERAMIC,CHIP:100nF,+80-20%,25V,Y5V,TP,	
RE25	2007-000689	R-CHIP;3.3MOHM,5%,1/10W,DA,TP,2012		CL314	2203-001697	C-CERAMIC,CHIP:82PF,5%,50V,CH,TP,1608,1	
RE26	2007-000689	R-CHIP;3.3MOHM,5%,1/10W,DA,TP,2012		CL315	2404-000232	C-TA,CHIP:4.7uF,20%,10V,WT,3216,-,TP	
RE27	2007-000462	R-CHIP;18ohm,5%,1/10W,DA,TP,2012		CL316	2404-000139	C-TA,CHIP:10uF,20%,6.3V,-,3216,-,TP	
VRE01	2104-001014	VR-SMD;50KOHM,25%,0.15W,TOP		CL317	2203-001556	C-CERAMIC,CHIP:100nF,+80-20%,25V,Y5V,TP,	
VRE02	2104-001013	VR-SMD;220ohm,25%,0.15W,TOP		CL318	2404-000128	C-TA,CHIP:10uF,20%,16V,-,TP,6032,-	
VRE03	2104-000178	VR-SMD;1MOHM,30%,1/20W,TOP		CL319	2203-001556	C-CERAMIC,CHIP:100nF,+80-20%,25V,Y5V,TP,	
CE18	2201-000911	C-CERAMIC,DISC;1.2NF,10%,1KV,Y5P,BK,10X5		CL324	2203-001556	C-CERAMIC,CHIP:100nF,+80-20%,25V,Y5V,TP,	
CNE03	AC03-12001B	SOCKET-CRT;SOCKET FINDER,P10 40M,-,-,-		CL325	2203-000199	C-CERAMIC,CHIP:100nF,+80-20%,50V,Z5U,TP,	
FTB01	AC26-32001B	TRANS-FLYBACK;ECX-C2806D,0.6INCH,4.8V		CL326	2203-001556	C-CERAMIC,CHIP:100nF,+80-20%,25V,Y5V,TP,	
LE02	AC27-32001B	COIL-LINEARITY;230UH-15%,PI0.12,T,-,-		CL327	2203-001556	C-CERAMIC,CHIP:100nF,+80-20%,25V,Y5V,TP,	
				CL328	2203-001556	C-CERAMIC,CHIP:100nF,+80-20%,25V,Y5V,TP,	
				CL329	2203-000491	C-CERAMIC,CHIP:2.2nF,10%,50V,X7R,TP,1608	
141	AD90-10828B	ASSY-LCD BOARD;VP-L100,PAL 3	VP-L100/VP-L150	CL331	2404-000133	C-TA,CHIP:10uF,20%,25V,-,TP,7343,-	
141	AD90-10831J	ASSY-LCD BOARD;SCL-L100/BASIC,NTSC 3	SCL150/SCL100	CL340	2404-000139	C-TA,CHIP:10uF,20%,6.3V,-,3216,-,TP	
CL101	2203-001556	C-CERAMIC,CHIP:100nF,+80-20%,25V,Y5V,TP,		CNL102	3708-000402	CONNECTOR-FPC/FC/PIC;10P,0.8MM,ANGLE,SN	
CL102	2203-001556	C-CERAMIC,CHIP:100nF,+80-20%,25V,Y5V,TP,		CNL201	3708-001184	CONNECTOR-FPC/FC/PIC;18P,0.8mm,SMD-A,SN	
CL103	2203-001556	C-CERAMIC,CHIP:100nF,+80-20%,25V,Y5V,TP,		CNL301	3708-001181	CONNECTOR-FPC/FC/PIC;26P,0.5MM,SMD-A,SN	
CL104	2203-001556	C-CERAMIC,CHIP:100nF,+80-20%,25V,Y5V,TP,		DL302	0405-000123	DIODE-VARACTOR;1T369,34V,10nA,DSM,TP	
CL105	2203-000477	C-CERAMIC,CHIP:1uF,+80-20%,16V,Y5V,TP,20		DL303	0401-000171	DIODE-SWITCHING;MA111,80V,100mA,-,3nS,SM	
CL106	2203-000477	C-CERAMIC,CHIP:1uF,+80-20%,16V,Y5V,TP,20		ICL101	1201-001086	IC-OP AMP;75558,SOP,5P,62.9MIL,DUAL,100	

Electrical Parts List

Loc.No	Part No	Desc & Spec	Remark	Loc.No	Part No	Desc & Spec	Remark
ICL201	AC14-12009X	IC;MB88346B,VSOP,-		RL250	2007-000090	R-CHIP;10Kohm,5%,1/16W,DA,TP,1608	
ICL202	AC11-12001G	IC-EEPROM;AT24C02N-10SC,QFP,-		RL251	2007-000090	R-CHIP;10Kohm,5%,1/16W,DA,TP,1608	
ICL203	AC14-12014X	IC-LINEAR;CXA1785R-T4,VQFP,-		RL252	2007-000084	R-CHIP;4.7Kohm,5%,1/16W,DA,TP,1608	
ICL301	1201-001050	IC-OP AMP;4556,SOP,8P,173MIL,18V,100dB,P		RL253	2007-000075	R-CHIP;220ohm,5%,1/16W,DA,TP,1608	
ICL303	1003-001098	IC-LCD CONTROLLER;CM7013L2-T4,QFP,48P,-		RL254	2007-000123	R-CHIP;1.5Kohm,5%,1/16W,DA,TP,1608	
LL101	2703-000399	INDUCTOR-SMD;100uH,10%,3.2x2.5x2.2mm		RL255	2007-000124	R-CHIP;2.2Kohm,5%,1/16W,DA,TP,1608	
LL102	2703-000407	INDUCTOR-SMD;330uH,10%,3.2x2.5x2.2mm		RL256	2007-000123	R-CHIP;1.5Kohm,5%,1/16W,DA,TP,1608	
LL103	2703-000407	INDUCTOR-SMD;330uH,10%,3.2x2.5x2.2mm		RL259	2007-000075	R-CHIP;220ohm,5%,1/16W,DA,TP,1608	
LL104	2703-000411	INDUCTOR-SMD;4B3T,NTBA,-,GERMANY,-,-,-,-		RL260	2007-000070	R-CHIP;0ohm,5%,1/16W,DA,TP,1608	
LL109	2703-000414	INDUCTOR-SMD;22uH,20%,7x7x3.2mm		RL261	2007-000090	R-CHIP;10Kohm,5%,1/16W,DA,TP,1608	
LL115	2703-000414	INDUCTOR-SMD;22uH,20%,7x7x3.2mm		RL262	2007-001007	R-CHIP;51Kohm,1%,1/16W,DA,TP,1608	
LL202	2703-000398	INDUCTOR-SMD;10UH,10%,3.2X2.5X2.2MM		RL263	2007-000651	R-CHIP;220ohm,1%,1/16W,DA,TP,1608	
LL205	AC27-92001G	COIL-TRAP;4.43MHZ,56PF,303AN-K5031NK=P3,		RL270	2007-000078	R-CHIP;1Kohm,5%,1/16W,DA,TP,1608	
LL206	2703-000365	INDUCTOR-SMD;15uH,5%,2.5x2x1.8mm		RL271	2007-000078	R-CHIP;1Kohm,5%,1/16W,DA,TP,1608	
LL301	2703-000398	INDUCTOR-SMD;10UH,10%,3.2X2.5X2.2MM		RL276	2007-000090	R-CHIP;10Kohm,5%,1/16W,DA,TP,1608	
LL302	2703-000365	INDUCTOR-SMD;15uH,5%,2.5x2x1.8mm		RL302	2007-000066	R-CHIP;220ohm,1%,1/16W,DA,TP,1608	
LL304	2703-000398	INDUCTOR-SMD;10UH,10%,3.2X2.5X2.2MM		RL303	2007-000455	R-CHIP;18Kohm,1%,1/16W,DA,TP,1608	
LL306	2703-000398	INDUCTOR-SMD;10UH,10%,3.2X2.5X2.2MM		RL304	2007-000614	R-CHIP;24Kohm,1%,1/16W,DA,TP,1608	
QL103	0504-000177	TR-DIGITAL;DTC143EUA,NPN,200MW,4.7K-4.7K		RL305	2007-000090	R-CHIP;10Kohm,5%,1/16W,DA,TP,1608	
QL108	0502-000435	TR-POWER;2SD18980,NPN,500MW,SOT-89,TP,1		RL307	2007-000084	R-CHIP;4.7Kohm,5%,1/16W,DA,TP,1608	
QL109	0502-000435	TR-POWER;2SD18980,NPN,500MW,SOT-89,TP,1		RL308	2007-000100	R-CHIP;68Kohm,5%,1/16W,DA,TP,1608	
QL110	0506-000148	TR-ARRAY;UM T2N,PNP,2,-50V,-40V,-100MA,3		RL309	2007-000084	R-CHIP;4.7Kohm,5%,1/16W,DA,TP,1608	
QL203	0501-000162	TR-SMALL SIGNAL;2SA1576,PNP,200MW,SC-70,		RL310	2007-000097	R-CHIP;47Kohm,5%,1/16W,DA,TP,1608	
QL204	0501-000162	TR-SMALL SIGNAL;2SA1576,PNP,200MW,SC-70,		RL311	2007-000094	R-CHIP;22Kohm,5%,1/16W,DA,TP,1608	
RL104	2007-000102	R-CHIP;100Kohm,5%,1/16W,DA,TP,1608		RL312	2007-000100	R-CHIP;68Kohm,5%,1/16W,DA,TP,1608	
RL105	2007-000084	R-CHIP;4.7Kohm,5%,1/16W,DA,TP,1608		RL313	2007-000109	R-CHIP;1M ohm,5%,1/16W,DA,TP,1608	
RL106	2007-000458	R-CHIP;18Kohm,5%,1/16W,DA,TP,1608		RL314	2007-000090	R-CHIP;10Kohm,5%,1/16W,DA,TP,1608	
RL107	2007-000239	R-CHIP;1.5Kohm,1%,1/16W,DA,TP,1608		RL315	2007-000052	R-CHIP;10Kohm,1%,1/16W,DA,TP,1608	
RL108	2007-000616	R-CHIP;24Kohm,5%,1/16W,DA,TP,1608		RL316	2007-000100	R-CHIP;68Kohm,5%,1/16W,DA,TP,1608	
RL136	2007-000122	R-CHIP;1.2Kohm,5%,1/16W,DA,TP,1608		RL317	2007-000130	R-CHIP;39Kohm,5%,1/16W,DA,TP,1608	
RL137	2007-000122	R-CHIP;1.2Kohm,5%,1/16W,DA,TP,1608		RL318	2007-000052	R-CHIP;10Kohm,1%,1/16W,DA,TP,1608	
RL140	2007-000124	R-CHIP;2.2Kohm,5%,1/16W,DA,TP,1608		RL320	2007-000097	R-CHIP;47Kohm,5%,1/16W,DA,TP,1608	
RL141	2007-000116	R-CHIP;120ohm,5%,1/16W,DA,TP,1608		RL321	2007-000805	R-CHIP;36Kohm,5%,1/16W,DA,TP,1608	
RL142	2007-000078	R-CHIP;1Kohm,5%,1/16W,DA,TP,1608		RL322	2007-000239	R-CHIP;1.5Kohm,1%,1/16W,DA,TP,1608	
RL201	2007-000078	R-CHIP;1Kohm,5%,1/16W,DA,TP,1608		RL323	2007-000070	R-CHIP;0ohm,5%,1/16W,DA,TP,1608	
RL202	2007-000102	R-CHIP;100Kohm,5%,1/16W,DA,TP,1608		RL326	2007-000070	R-CHIP;0ohm,5%,1/16W,DA,TP,1608	
RL203	2007-000102	R-CHIP;100Kohm,5%,1/16W,DA,TP,1608		RL327	2007-000772	R-CHIP;33Kohm,1%,1/16W,DA,TP,1608	
RL204	2007-000090	R-CHIP;10Kohm,5%,1/16W,DA,TP,1608		RL330	2007-000078	R-CHIP;1Kohm,5%,1/16W,DA,TP,1608	
RL205	2007-000090	R-CHIP;10Kohm,5%,1/16W,DA,TP,1608		SWL101	3403-000126	SWITCH-PUSH;12V,100MA,-,-	
RL207	2007-000090	R-CHIP;10Kohm,5%,1/16W,DA,TP,1608		TL103	AD26-82001A	TRANS-INVERTER;-5V,46.1KHz,ETJ IJK 59AM	
RL208	2007-000090	R-CHIP;10Kohm,5%,1/16W,DA,TP,1608		XL201	2801-003126	CRYSTAL-SMD;4.433619MHz,30ppm,28-ABN,16p	
RL209	2007-001114	R-CHIP;680Kohm,5%,1/16W,DA,TP,1608					
RL210	2007-000133	R-CHIP;330Kohm,5%,1/16W,DA,TP,1608					
RL212	2007-000643	R-CHIP;270ohm,5%,1/16W,DA,TP,1608		172	AD90-10828M	ASSY-REAR BOARD;VP-L1Q/BASIC,PAL,NOR,MON	
RL213	2007-000828	R-CHIP;39Kohm,1%,1/16W,DA,TP,1608		CN961	3710-000395	CONNECTOR-SOCKET;24P,2R,0.8MM,STRAIGHT,S	
RL214	2007-001038	R-CHIP;56Kohm,1%,1/16W,DA,TP,1608		CN962	3710-000413	CONNECTOR-SOCKET;14P,2R,0.8mm,STRAIGHT,S	
RL215	2007-000455	R-CHIP;18Kohm,5%,1/16W,DA,TP,1608		PS901	3601-001049	FUSE-SMD;125V,2A,FAST ACTING,CERAMIC,6	
RL216	2007-001026	R-CHIP;560Kohm,5%,1/16W,DA,TP,1608		Q961	0501-000218	TR-SMALL SIGNAL;2SC4081,NPN,200mW,UM,T,TP	
RL217	2007-000939	R-CHIP;47Kohm,1%,1/16W,DA,TP,1608		R961	2007-000642	R-CHIP;270ohm,5%,1/10W,DA,TP,2012	
RL218	2007-000828	R-CHIP;39Kohm,1%,1/16W,DA,TP,1608		R962	2007-000300	R-CHIP;10Kohm,5%,1/10W,DA,TP,2012	
RL219	2007-000097	R-CHIP;47Kohm,5%,1/16W,DA,TP,1608		R963	2007-000468	R-CHIP;1Kohm,5%,1/10W,DA,TP,2012	
RL220	2007-000097	R-CHIP;47Kohm,5%,1/16W,DA,TP,1608		R964	2007-000449	R-CHIP;180ohm,5%,1/10W,DA,TP,2012	
RL221	2007-000097	R-CHIP;47Kohm,5%,1/16W,DA,TP,1608		R965	2007-000694	R-CHIP;3.3ohm,5%,1/10W,DA,TP,2012	
RL222	2007-000097	R-CHIP;47Kohm,5%,1/16W,DA,TP,1608		R966	2007-000931	R-CHIP;470ohm,5%,1/10W,DA,TP,2012	
RL224	2007-000074	R-CHIP;100ohm,5%,1/16W,DA,TP,1608		R967	2007-000931	R-CHIP;470ohm,5%,1/10W,DA,TP,2012	
RL225	2007-000805	R-CHIP;36Kohm,5%,1/16W,DA,TP,1608		SW962	3404-001010	SWITCH-TACT;12V,5MA,250GF,8.6°ø6.3°ø5.0M	
RL226	2007-000097	R-CHIP;47Kohm,5%,1/16W,DA,TP,1608		SW963	3404-001031	SWITCH-TACT;15V,20MA,100GF,4.9X4.9X1.5MM	
RL233	2007-000084	R-CHIP;4.7Kohm,5%,1/16W,DA,TP,1608		BT961	AD61-30197A	PLATE-TERMINAL +,-,S-F RM 23,T0.5,OD20.7*	
RL234	2007-000097	R-CHIP;47Kohm,5%,1/16W,DA,TP,1608		BT962	AD61-30197A	PLATE-TERMINAL +,-,S-F RM 23,T0.5,OD20.7*	
RL235	2007-000097	R-CHIP;47Kohm,5%,1/16W,DA,TP,1608		LI961	AC43-12002P	BATTERY;VL2330-1HF,3V,OD23XH3.0	
RL236	2007-000074	R-CHIP;100ohm,5%,1/16W,DA,TP,1608		SW961	3408-001019	SWITCH-SLIDE;12V,100mA,SPST,ON-OFF,-	
RL237	2007-000074	R-CHIP;100ohm,5%,1/16W,DA,TP,1608		VR961	2101-001018	VR-ROTARY;50KOHM,30%,0.03W,TOP	
RL238	2007-000074	R-CHIP;100ohm,5%,1/16W,DA,TP,1608					
RL239	2007-000070	R-CHIP;0ohm,5%,1/16W,DA,TP,1608					
RL240	2007-000305	R-CHIP;10M ohm,5%,1/16W,DA,TP,1608					
RL241	2007-000087	R-CHIP;6.8Kohm,5%,1/16W,DA,TP,1608					
RL242	2007-000087	R-CHIP;6.8Kohm,5%,1/16W,DA,TP,1608					
RL243	2007-000109	R-CHIP;1M ohm,5%,1/16W,DA,TP,1608					
RL244	2007-000070	R-CHIP;0ohm,5%,1/16W,DA,TP,1608					
RL245	2007-000086	R-CHIP;5.6Kohm,5%,1/16W,DA,TP,1608		C10	2306-000298	C-FILM,M,PPF;220nF,20%,250V,TP,6.5x5.5x3mm	
RL246	2007-001179	R-CHIP;8.2Kohm,5%,1/16W,DA,TP,1608		C11	2201-000808	C-CERAMIC,DISC;2.2nF,10%,400V,Y5P,12x7.5	
RL247	2007-000090	R-CHIP;10Kohm,5%,1/16W,DA,TP,1608		C12	2201-000808	C-CERAMIC,DISC;2.2nF,10%,400V,Y5P,12x7.5	
RL248	2007-000090	R-CHIP;10Kohm,5%,1/16W,DA,TP,1608		C13	2401-001567	C-L;47uF,20%,400V,WT,-,18x20,10mm	
				C14	2201-000808	C-CERAMIC,DISC;2.2nF,10%,400V,Y5P,12x7.5	

Loc.No	Part No	Desc & Spec	Remark	Loc.No	Part No	Desc & Spec	Remark
C15	2201-000808	C-CERAMIC,DISC:2.2nF,10%,400V,Y5P,12x7.5		R15	2007-001212	R-CHIP;82Kohm,5%,1/8W,DA,TP,3216	
C16	2301-000140	C-FILM,PEF;10nF,10%,630V,16.5x9.5x5.7X,1		R16	2001-001000	R-CARBON;82Kohm,5%,1/8W,AA,TP,1.8x3.2mm	
C17	2203-001537	C-CERAMIC,CHIP;1nF,10%,50V,X7R,TP,2012,-		R17	2003-000307	R-METAL OXIDE;47Kohm,5%,2W,AD,TP,6x16mm	
C18	2401-002180	C-AL;2.2UF,20%,50V,GP,TP,5X11,5MM		R19	2003-000111	R-METAL OXIDE;0.47ohm,5%,1W,AD,TP,4.3x12	
C19	2203-000840	C-CERAMIC,CHIP;390PF,5%,50V,NPO,TP,2012,		R20	2007-000572	R-CHIP;220ohm,5%,1/10W,DA,TP,2012	
C20	2203-001576	C-CERAMIC,CHIP;150nF,+80-20%,50V,Z5U,TP,		R21	2007-000781	R-CHIP;33ohm,5%,1/10W,DA,TP,2012	
C21	2401-001184	C-AL;33UF,20%,35V,GP,-,6X11,5MM		R22	2007-000248	R-CHIP;1.5Mohm,5%,1/10W,DA,TP,2012	
C22	2401-002168	C-AL;100UF,20%,50V,GP,TP,10X12.5,5M		R24	2007-000781	R-CHIP;33ohm,5%,1/10W,DA,TP,2012	
C23	2203-000199	C-CERAMIC,CHIP;100nF,+80-20%,50V,Z5U,TP,		R25	2007-001177	R-CHIP;8.2Kohm,5%,1/10W,DA,TP,2012	
C50	2401-001591	C-AL;47uF,20%,6.3V,GP,5x7,2.5mm,		R51	2007-000312	R-CHIP;10ohm,5%,1/8W,DA,TP,3216	
C51	2203-001537	C-CERAMIC,CHIP;1nF,10%,50V,X7R,TP,2012,-		R52	2007-000515	R-CHIP;2.7Kohm,1%,1/10W,DA,TP,2012	
C52	2203-001537	C-CERAMIC,CHIP;1nF,10%,50V,X7R,TP,2012,-		R53	2007-000218	R-CHIP;1.2Kohm,1%,1/10W,DA,TP,2012	
C53	2401-001878	C-AL;1000UF,20%,16V,GP,BK,10X20MM,5		R54	2007-000639	R-CHIP;270ohm,1%,1/10W,DA,TP,2012	
C54	2401-001374	C-AL;470UF,20%,16V,WT,TP,10X12.5,2.		R55	2007-000282	R-CHIP;100Kohm,5%,1/10W,DA,TP,2012	
C55	2203-000199	C-CERAMIC,CHIP;100nF,+80-20%,50V,Z5U,TP,		R56	2007-000572	R-CHIP;220ohm,5%,1/10W,DA,TP,2012	
C56	2203-000260	C-CERAMIC,CHIP;10nF,10%,50V,X7R,TP,2012,		R57	2007-000518	R-CHIP;2.7Kohm,5%,1/10W,DA,TP,2012	
C57	2401-001917	C-AL;1UF,20%,50V,-,TP,5X7MM,5		R58	2007-000282	R-CHIP;100Kohm,5%,1/10W,DA,TP,2012	
C59	2401-001952	C-AL;4.7UF,20%,50V,-,TP,6.3X7,5		R59	2007-000361	R-CHIP;12ohm,5%,1/10W,DA,TP,2012	
C60	2203-000478	C-CERAMIC,CHIP;1uF,+80-20%,16V,Y5V,3216,		R60	2007-000928	R-CHIP;470ohm,1%,1/10W,DA,TP,2012	
C61	2203-000199	C-CERAMIC,CHIP;100nF,+80-20%,50V,Z5U,TP,		R61	2007-000218	R-CHIP;1.2Kohm,1%,1/10W,DA,TP,2012	
C62	2203-001112	C-CERAMIC,CHIP;6.8uF,+80-20%,16V,Y5V,TP,		R62	2007-000868	R-CHIP;4.7Kohm,1%,1/10W,DA,TP,2012	
C64	2201-000913	C-CERAMIC,DISC;100nF,+80-20%,50V,Y5V,TP,		R63	2007-000868	R-CHIP;4.7Kohm,1%,1/10W,DA,TP,2012	
C65	2202-000780	C-CERAMIC,M.LC-AXIAL;100nF,+80-20%,50V,Y5		R64	2007-000658	R-CHIP;27ohm,5%,1/10W,DA,TP,2012	
C66	2203-000199	C-CERAMIC,CHIP;100nF,+80-20%,50V,Z5U,TP,		R65	2003-000102	R-METAL OXIDE;0.1ohm,5%,1W,AD,TP,4.3x12mm	
C67	2203-000199	C-CERAMIC,CHIP;100nF,+80-20%,50V,Z5U,TP,		R66	2007-000355	R-CHIP;12Kohm,5%,1/10W,DA,TP,2012	
CL10	3602-000147	FUSE-CLIP;250V,7.5A,30mohm		R67	2007-000221	R-CHIP;1.2Kohm,5%,1/10W,DA,TP,2012	
CL11	3602-000147	FUSE-CLIP;250V,7.5A,30mohm		R68	2007-000493	R-CHIP;2.2Kohm,5%,1/10W,DA,TP,2012	
D10	0402-000386	DIODE-BRIDGE;S1WB60,600V,1A,DIP-4		R69	2007-000931	R-CHIP;470ohm,5%,1/10W,DA,TP,2012	
D11	0402-000391	DIODE-RECTIFIER;ERA22-10,1000V,500MA,MSR		R70	B1004-0442	R-METAL OXIDE;RS 3W N 43J ERG3SJ 430H	
D12	0401-000171	DIODE-SWITCHING;MA111,80V,100mA,-,3nS,SM		R71	2007-000300	R-CHIP;10Kohm,5%,1/10W,DA,TP,2012	
D13	0403-000646	DIODE-ZENER;RD20SB,20V,18.8-21.14V,200mW		R72	2007-000300	R-CHIP;15Kohm,5%,1/10W,DA,TP,2012	
D14	0403-000648	DIODE-ZENER;RD4,7SB,4.7V,4.4-4.92,200mW		R73	2007-000468	R-CHIP;1Kohm,5%,1/10W,DA,TP,2012	
D15	0403-000647	DIODE-ZENER;RD24SB,24V,22.86-25.66V,200mW		R74	B1004-0442	R-METAL OXIDE;RS 3W N 43J ERG3SJ 430H	
D16	0402-000391	DIODE-RECTIFIER;ERA22-10,1000V,500MA,MSR		R75	2007-000409	R-CHIP;15Kohm,5%,1/10W,DA,TP,2012	
D17	0402-000391	DIODE-RECTIFIER;ERA22-10,1000V,500MA,MSR		R76	2007-000409	R-CHIP;15Kohm,5%,1/10W,DA,TP,2012	
D51	0404-000135	DIODE-SCHOTTKY;ESAC85M-009,90V,10A,TO-22		R77	2007-000300	R-CHIP;10Kohm,5%,1/10W,DA,TP,2012	
D52	0402-000165	DIODE-RECTIFIER;1N5819,40V,1A,DO-41,TP		R78	2007-000409	R-CHIP;15Kohm,5%,1/10W,DA,TP,2012	
D53	0407-000114	DIODE-ARRAY;DAN202K,80V,100mA,CA2-3,SOT		R79	2007-000300	R-CHIP;10Kohm,5%,1/10W,DA,TP,2012	
D54	0407-000116	DIODE-ARRAY;DAP202K,80V,100mA,CK2-3,SOT		R80	2007-000822	R-CHIP;390ohm,5%,1/10W,DA,TP,2012	
D55	0401-000171	DIODE-SWITCHING;MA111,80V,100mA,-,3nS,SM		R81	2007-000409	R-CHIP;15Kohm,5%,1/10W,DA,TP,2012	
D57	0403-000649	DIODE-ZENER;RD5,1S,5.1V,4.96-5.22V,200mW		R82	2007-000518	R-CHIP;2.7Kohm,5%,1/10W,DA,TP,2012	
F10	B3065-0202	FUSE;DEMKO FST 250V 1.25A 5X20MM S505 C		R83	2007-000822	R-CHIP;390ohm,5%,1/10W,DA,TP,2012	
IC11	AC14-12011C	IC;FA5304S,TP-92S,3P TAPE		R84	2007-000653	R-CHIP;27Kohm,5%,1/10W,DA,TP,2012	
IC12	AC13-22001B	IC-HYBRID;PC113(LY)-,DIP-		R85	2007-000409	R-CHIP;15Kohm,5%,1/10W,DA,TP,2012	
IC12	B4161-0037	PHOTO-COUPLER;TLP621-GR ST		R86	2007-000653	R-CHIP;27Kohm,5%,1/10W,DA,TP,2012	
IC51	1201-000203	IC-OP AMP;3414,SOP,8P,300MIL,DUAL,-,PLAS		R87	2003-000146	R-METAL OXIDE;100ohm,5%,1W,AD,TP,4.3x12mm	
IC52	AC14-12006R	IC;TK11640N,TP-92S,3P TAPE		R90	2007-000950	R-CHIP;47ohm,5%,1/8W,DA,TP,3216	
J51	3722-000116	JACK-DC POWER;3P,3.5mm,AG,BLACK,-		R91	2007-000950	R-CHIP;47ohm,5%,1/8W,DA,TP,3216	
L10	AC27-32001F	COIL-LINE FILTER;BSF-2123,20MH,20HM,ST,-		R92	2007-000950	R-CHIP;47ohm,5%,1/8W,DA,TP,3216	
L11	A1247-0053	FILTER-EMI BEAD;BFS356SAOL SB 1000HM/100		R93	2007-000950	R-CHIP;47ohm,5%,1/8W,DA,TP,3216	
L51	2702-000112	INDUCTOR-RADIAL;10uH,5%,6x6,4mm		R94	2007-000653	R-CHIP;27Kohm,5%,1/10W,DA,TP,2012	
L52	AC27-12001F	COIL-CHOKE;100UH,J,-,-,100UH- RA 1KHZ		R95	2007-000221	R-CHIP;1.2Kohm,5%,1/10W,DA,TP,2012	
LED51	B4150-0287	LED-DISPLAY;LN086WP38 ORG/GRN P11.8		R96	2007-000267	R-CHIP;1.8Kohm,5%,1/10W,DA,TP,2012	
PCB01	66029-1084-00	P.C.B-AA-E2N;FR4 CS95 T1.6 W139 L62		R97	2001-000429	R-CARBON ;1KOHM,5%,1/8W,AA,TP,	
PWR01	AC39-12022M	POWER-CORD;CP2,KJ-0201,BLK,YH396-32V,1.8		SW51	3404-000239	SWITCH-TACT;15V,20mA,130+40gf,6x6mm,-	
Q10	0505-001044	FET-SILICON;SSS3N80,N,800V,1.8A,5ohm,35W		T10	AC26-80001F	TRANS-POWER;EI25X19,AC90/260V,50Hz,-	
Q51	0502-000399	TR-POWER;2SB1127S,PNP,-25V,-20V,-5A,1W,		W10	3711-000178	CONNECTOR-HEADER;1WALL,2P,1R,3.96mm,STRA	
Q52	62129-101-110	TRANSISTOR.CHIP;KSR 1102 (REEL)		XT51	64539-102-012	CERAMIC RESONATOR;FCR 4.0M C5	
Q53	0502-000431	TR-POWER;2SB1203S,PNP,-60V,-50V,-5A,1W,		IC53	AD09-12001F	IC-MICOM ;TMP47C241N,STICK,28P	
Q54	62129-101-110	TRANSISTOR.CHIP;KSR 1102 (REEL)					
Q55	0504-000158	TR-DIGITAL;KSR2104,PNP,200M W,47K-47K,SOT					
Q56	0504-000158	TR-DIGITAL;KSR2104,PNP,200M W,47K-47K,SOT					
Q57	0504-000158	TR-DIGITAL;KSR2104,PNP,200M W,47K-47K,SOT					
R01	2007-000029	R-CHIP;0ohm,5%,1/10W,DA,TP,2012		130	AD90-10837Y	ASSY-FRONT BOARD;VP-L150,NOR,MONO	VP-L150/SCL150
R02	2007-000029	R-CHIP;0ohm,5%,1/10W,DA,TP,2012		130	AD90-10833K	ASSY-FRONT BOARD;VP-L100,NOR,MONO	VPL100/SCL100
R03	2007-000029	R-CHIP;0ohm,5%,1/10W,DA,TP,2012		C891	2401-002206	C-AL;47UF,20%,6.3V,GP,TP,5X7,5MM	
R04	2007-000029	R-CHIP;0ohm,5%,1/10W,DA,TP,2012		CN891	AD39-20826F	LEAD CONNECTOR-ASSY;TP;51021,35023,5P,80	
R05	2007-000033	R-CHIP;0ohm,5%,1/8W,DA,TP,3216		CN892	3711-000779	CONNECTOR-HEADER;BOX,2P,1R,1.25MM,ANGLE,	
R06	2007-000033	R-CHIP;0ohm,5%,1/8W,DA,TP,3216		CN893	AD39-20825Y	LEAD CONNECTOR-ASSY;TP;51021,35023,6P,80	
R10	2001-000474	R-CARBON;2.7Mohm,5%,1/4W,AA,TP,2.4x6.4mm		G891	AC39-22018S	SENSOR;-,-,ENC-05DA,-	
R12	A1014-0079	R-CEMENT;RWC 2W 1 3R3J ST ABCO		G892	AC39-22018T	SENSOR;-,-,ENC-05DB,-	
R13	2001-001000	R-CARBON;82Kohm,5%,1/8W,AA,TP,1.8x3.2mm		R891	2001-000793	R-CARBON;47ohm,5%,1/8W,AA,TP,1.8x3.2mm	
R14	2001-001000	R-CARBON;82Kohm,5%,1/8W,AA,TP,1.8x3.2mm		RE891	AC59-42001D	MODULE-REM OCON;GP1U901X,38KHZ,940,MESH,-	
				W891	3811-000389	WIRE-NO SHEATH CU;SPCW,300V,52.4mm,1/0.5	
				W892	3811-000389	WIRE-NO SHEATH CU;SPCW,300V,52.4mm,1/0.5	

Electrical Parts List

Loc.No	Part No	Desc & Spec	Remark
112	AD90-10828D	ASSY-FUNCTION BOARD;VP-L10 S8C-PAL,3INCH	VP-L150/VP-L100
CN806	3711-000862	CONNECTOR-HEADER;BOX,3P,1R,1.25mm,SMD-A,	
R825	2007-000454	R-CHIP;18Kohm,1%,1/10W,DA,TP,2012	
R826	2007-000771	R-CHIP;33Kohm,1%,1/10W,DA,TP,2012	
R827	2007-000771	R-CHIP;33Kohm,1%,1/10W,DA,TP,2012	
R828	2007-001124	R-CHIP;68Kohm,1%,1/10W,DA,TP,2012	
SW822	3406-000173	SWITCH-ROTARY;16VDC,100MA,10P10T,5.4MM	
SW823	63519-105-102	SW-TACT.CHIP;SKHMPT017A	
SW824	63519-105-102	SW-TACT.CHIP;SKHMPT017A	

122	AD90-10828E	ASSY-FUNC MEN BOARD;VP-L10 S8C-PAL,3INCH	VP-L150/VP-L100
CN801	3711-000556	CONNECTOR-HEADER;BOX,12P,1R,1.25mm,SM D-A	
CN802	3711-002612	CONNECTOR-HEADER;3WALL,5P,1R,1.25MM,SMD-	
CN803	3711-000862	CONNECTOR-HEADER;BOX,3P,1R,1.25mm,SMD-A,	
CN804	3711-000541	CONNECTOR-HEADER;BOX,2P,1R,1.25mm,SM D-A,	
J801	3722-000466	JACK-PHONE;1P/1C,P13.5,AG,BLK,-	
R814	2007-000454	R-CHIP;18Kohm,1%,1/10W,DA,TP,2012	
R815	2007-000771	R-CHIP;33Kohm,1%,1/10W,DA,TP,2012	
R816	2007-000771	R-CHIP;33Kohm,1%,1/10W,DA,TP,2012	
R817	2007-001124	R-CHIP;68Kohm,1%,1/10W,DA,TP,2012	
R818	2007-000277	R-CHIP;100Kohm,1%,1/10W,DA,TP,2012	
R831	2007-000468	R-CHIP;1Kohm,5%,1/10W,DA,TP,2012	
R832	2007-000931	R-CHIP;470ohm,5%,1/10W,DA,TP,2012	
R881	2007-000029	R-CHIP;0ohm,5%,1/10W,DA,TP,2012	
R882	2007-000033	R-CHIP;0ohm,5%,1/8W,DA,TP,3216	
R883	2007-000029	R-CHIP;0ohm,5%,1/10W,DA,TP,2012	
R884	2007-000029	R-CHIP;0ohm,5%,1/10W,DA,TP,2012	
SW811	3404-000241	SWITCH-TACT;15V,20MA,-,6.8X6.2MM,-	
SW812	3404-000241	SWITCH-TACT;15V,20MA,-,6.8X6.2MM,-	
SW813	3404-000241	SWITCH-TACT;15V,20MA,-,6.8X6.2MM,-	
SW814	3404-000241	SWITCH-TACT;15V,20MA,-,6.8X6.2MM,-	
SW815	3404-000241	SWITCH-TACT;15V,20MA,-,6.8X6.2MM,-	
SW825	3403-000126	SWITCH-PUSH;12V,100MA,-,-	

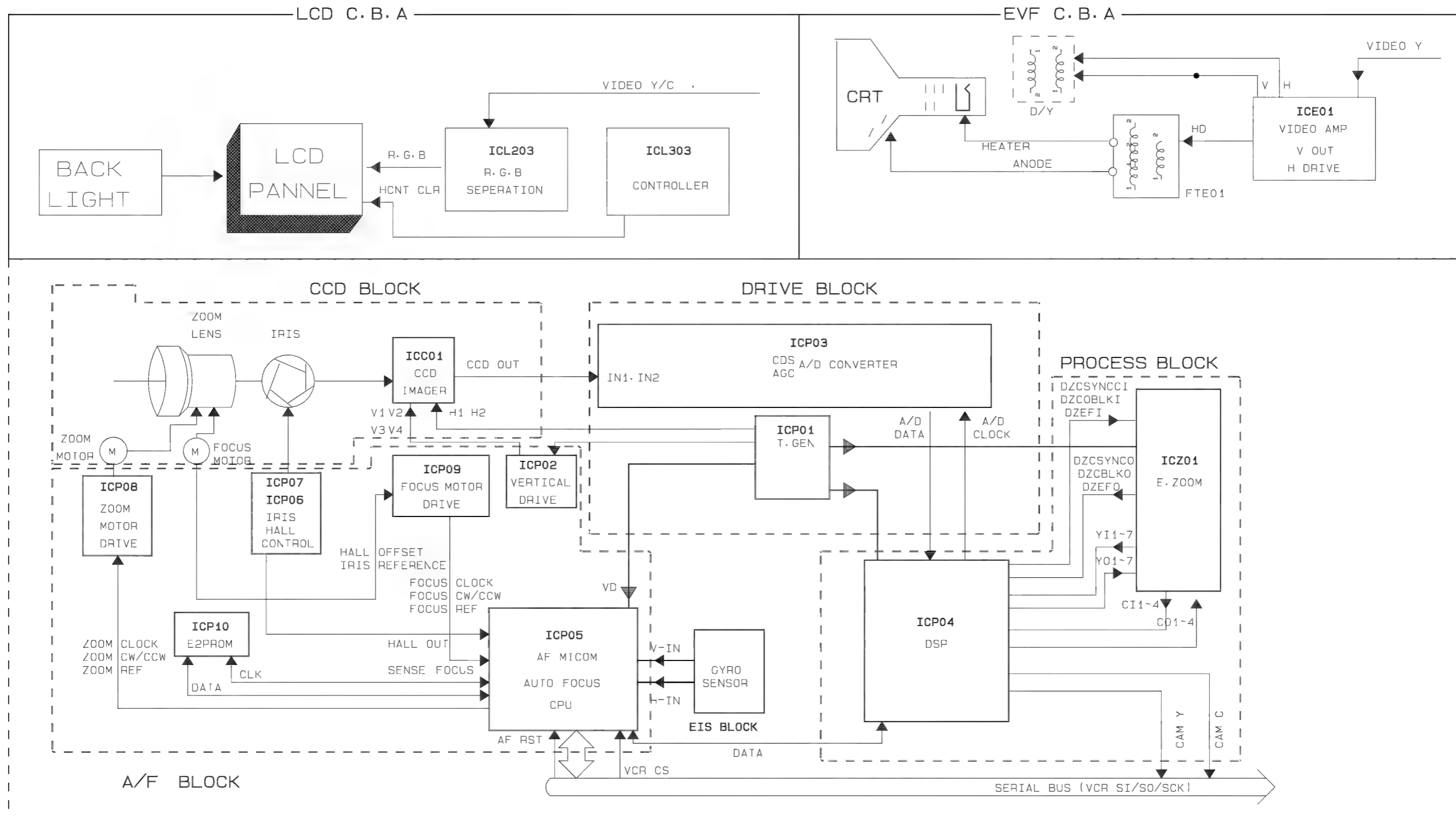
110	AD90-10828F	ASSY-FUNC VCR BOARD;VP-L10 S8C-PAL,3INCH	
CN805	3711-000541	CONNECTOR-HEADER;BOX,2P,1R,1.25mm,SMD-A,	
R820	2007-000454	R-CHIP;18Kohm,1%,1/10W,DA,TP,2012	
R821	2007-000771	R-CHIP;33Kohm,1%,1/10W,DA,TP,2012	
R822	2007-000771	R-CHIP;33Kohm,1%,1/10W,DA,TP,2012	
R823	2007-001124	R-CHIP;68Kohm,1%,1/10W,DA,TP,2012	
R824	2007-000277	R-CHIP;100Kohm,1%,1/10W,DA,TP,2012	
R833	2007-000931	R-CHIP;470ohm,5%,1/10W,DA,TP,2012	
SW816	3404-001031	SWITCH-TACT;15V,20MA,100GF,4.9X4.9X1.5MM	
SW817	3404-001031	SWITCH-TACT;15V,20MA,100GF,4.9X4.9X1.5MM	
SW818	3404-001031	SWITCH-TACT;15V,20MA,100GF,4.9X4.9X1.5MM	
SW819	3404-001031	SWITCH-TACT;15V,20MA,100GF,4.9X4.9X1.5MM	
SW820	3404-001031	SWITCH-TACT;15V,20MA,100GF,4.9X4.9X1.5MM	
SW821	3404-001031	SWITCH-TACT;15V,20MA,100GF,4.9X4.9X1.5MM	

Loc.No	Part No	Desc & Spec	Remark
--------	---------	-------------	--------

8. Block Diagrams

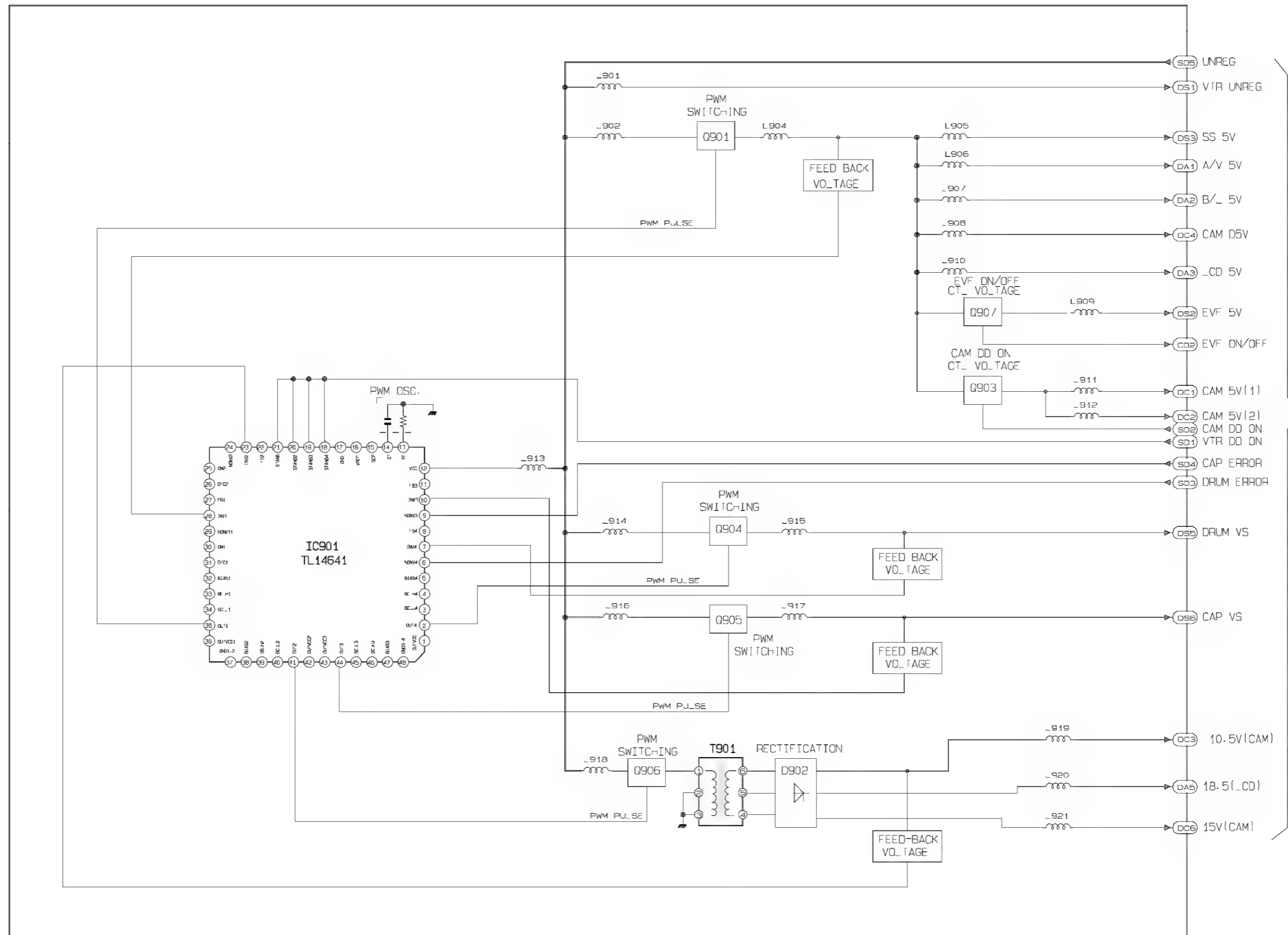
	Page
8-1 Overall Block Diagram (Camera) - - - - -	8-2
8-2 Overall Block Diagram (VCR) - - - - -	8-3
8-3 DC/DC Converter - - - - -	8-4
8-4 Drum Servo - - - - -	8-5
8-5 Capstan Servo - - - - -	8-6
8-6 Video Playback(SCL100/ 150) - - - - -	8-7
8-7 Video Record(SCL100/ 150) - - - - -	8-8
8-8 Video Playback(VP-L100/ 150) - - - - -	8-9
8-9 Video Record(VP-L100/ 150) - - - - -	8-10
8-10 Audio - - - - -	8-11
8-11 Camera Main - - - - -	8-12

8-1 Overall Block Diagram (Camera)

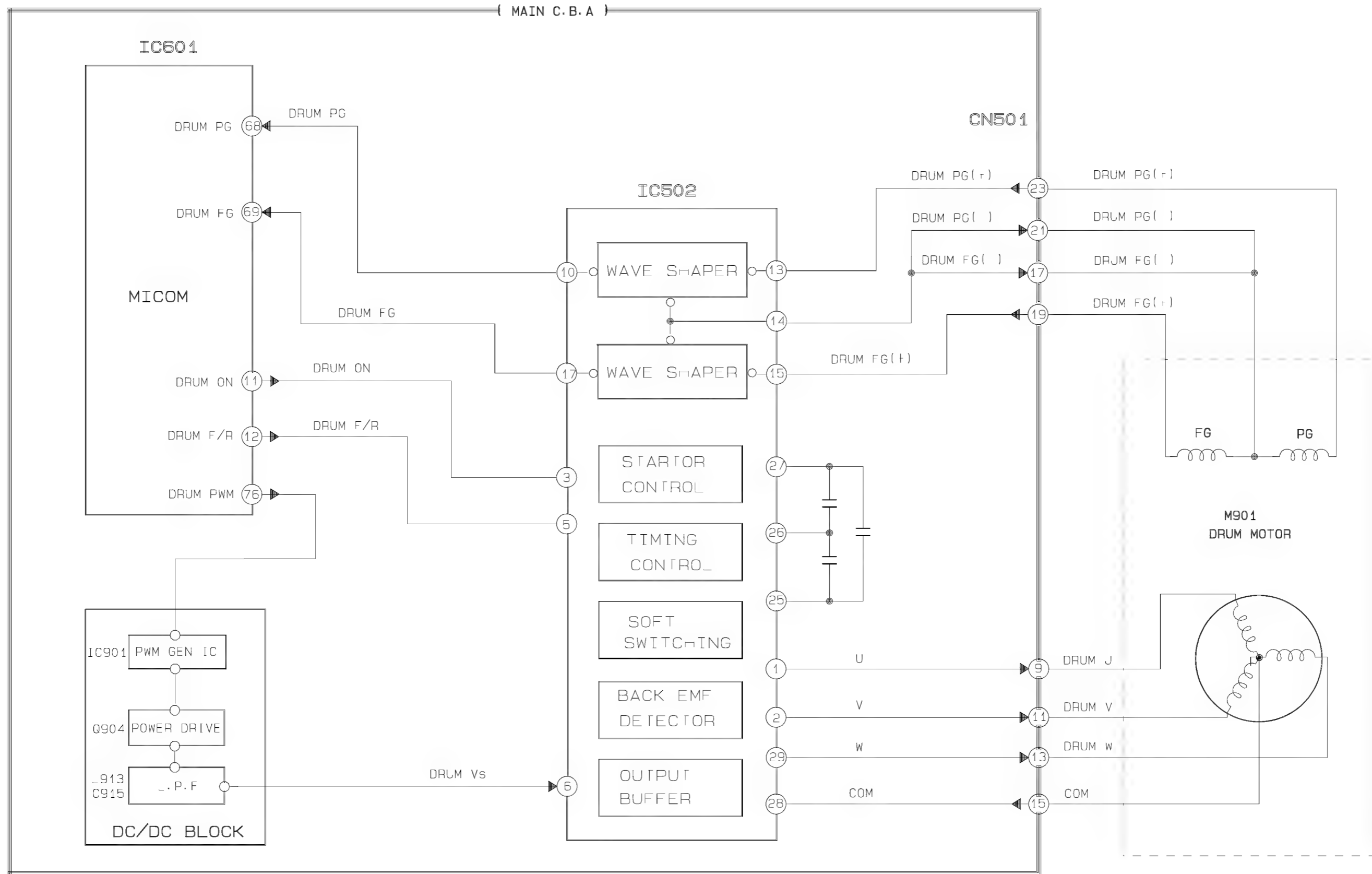


8-2 Overall Block Diagram (VCR)

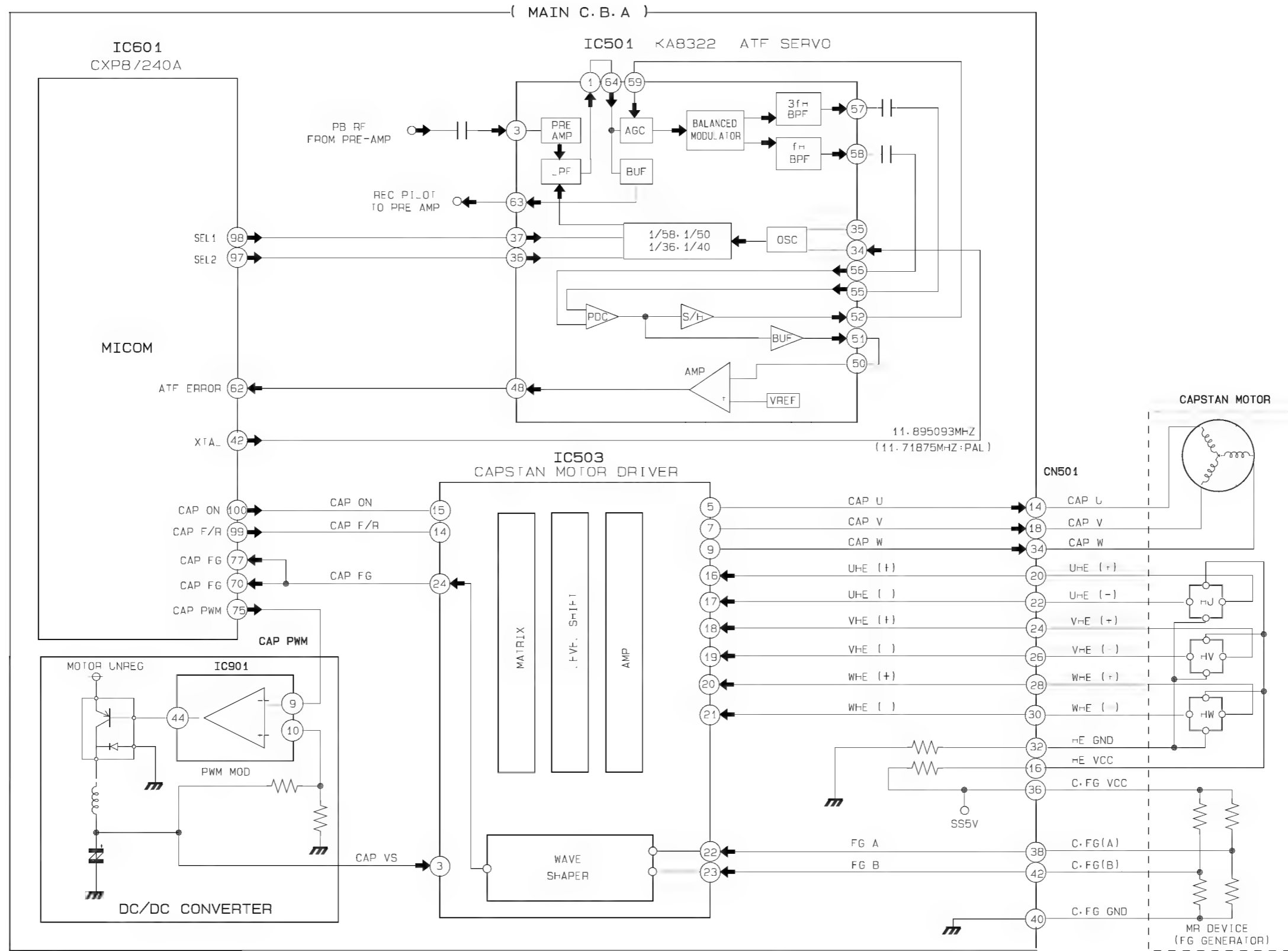
8-3 DC/DC Converter



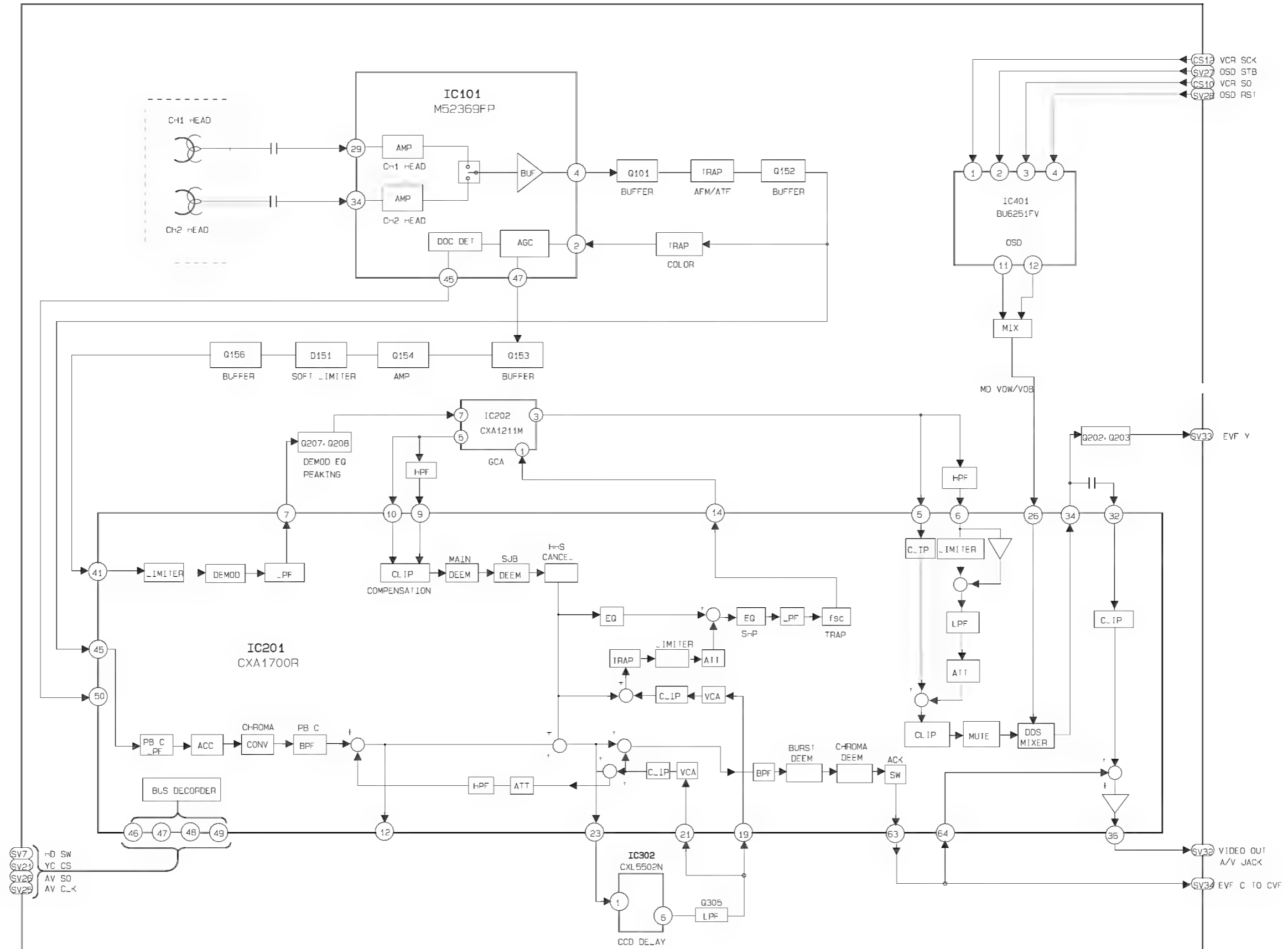
8-4 Drum Servo



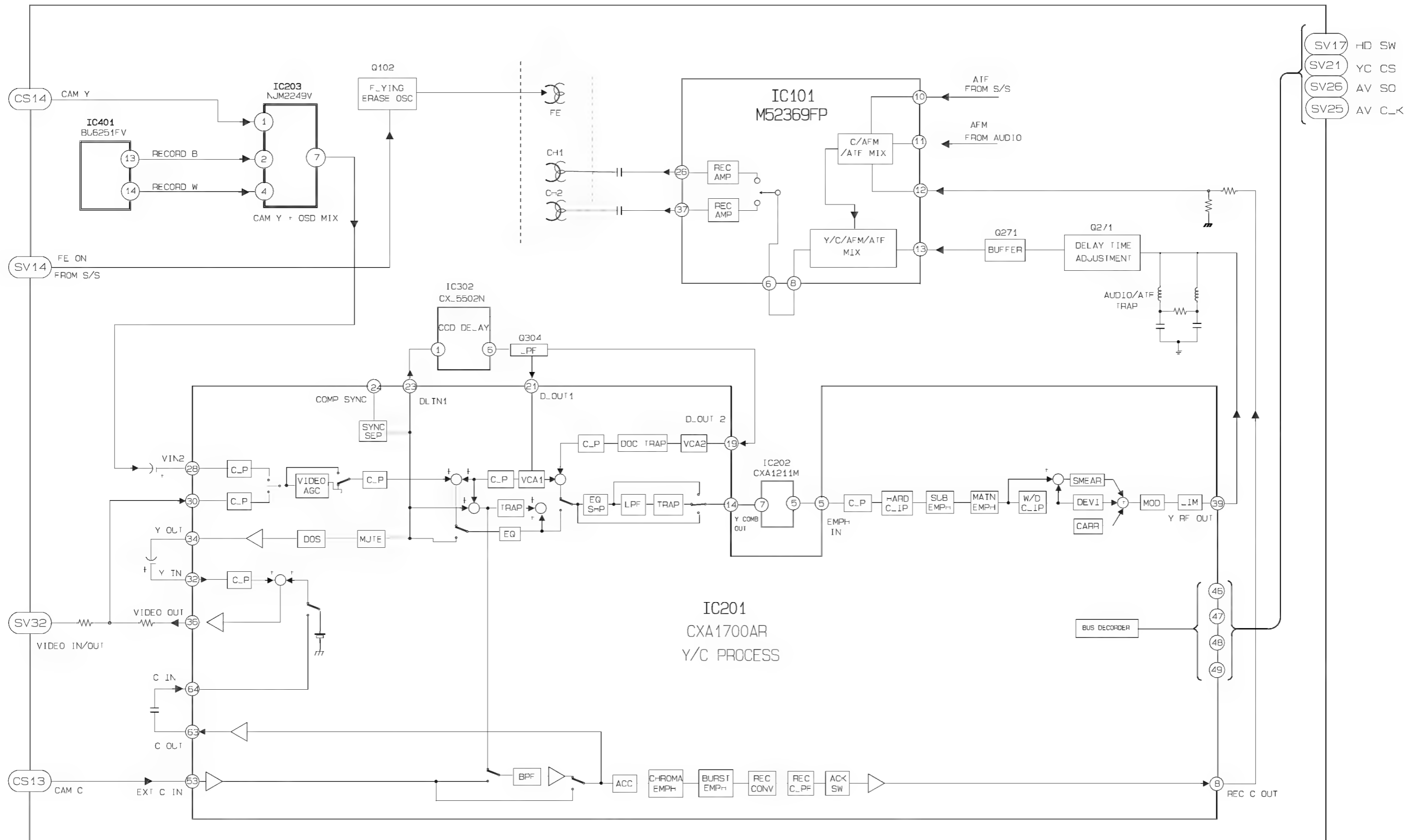
8-5 Capstan Servo



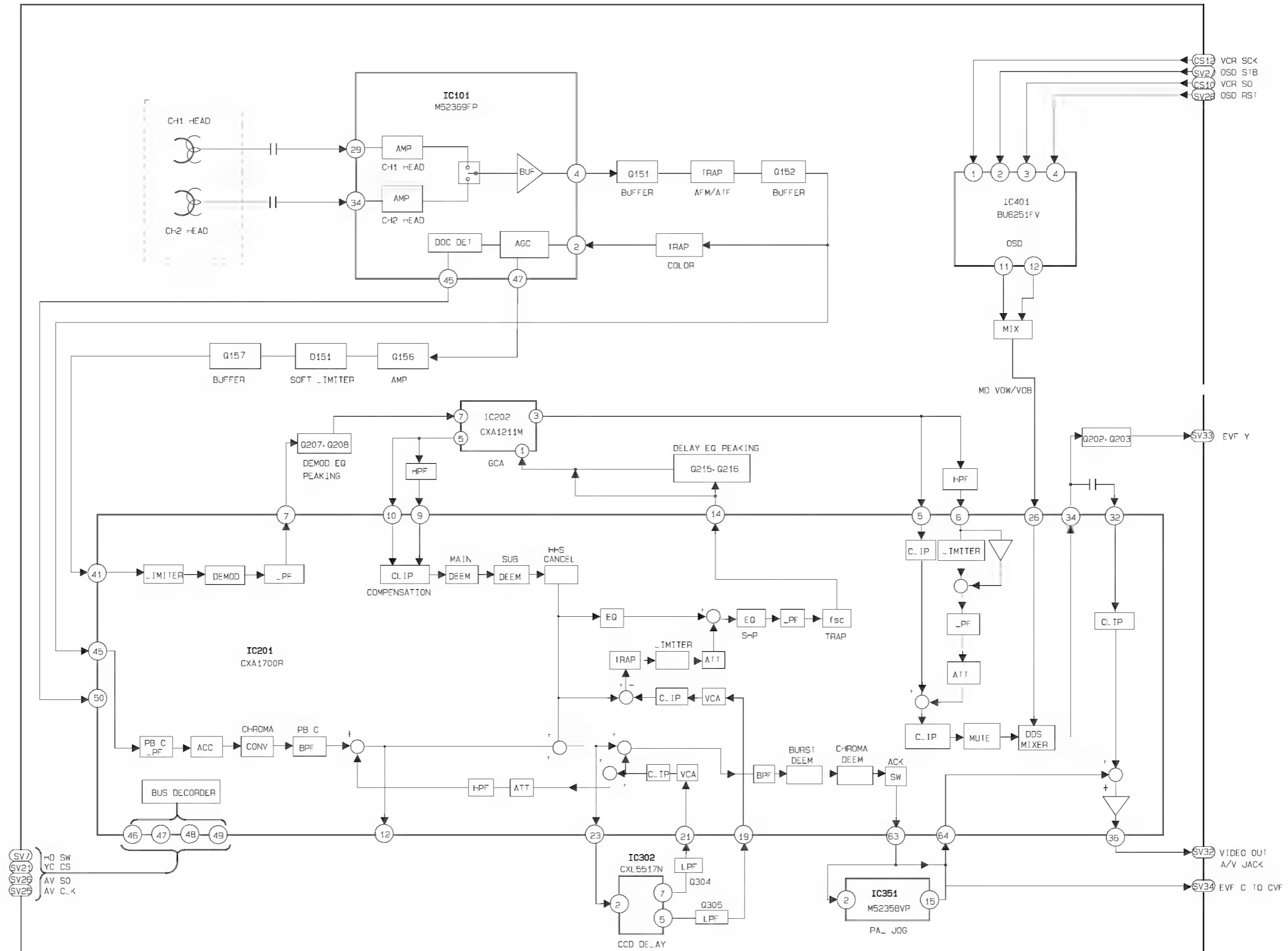
8-6 Video Playback (SCL100/150)



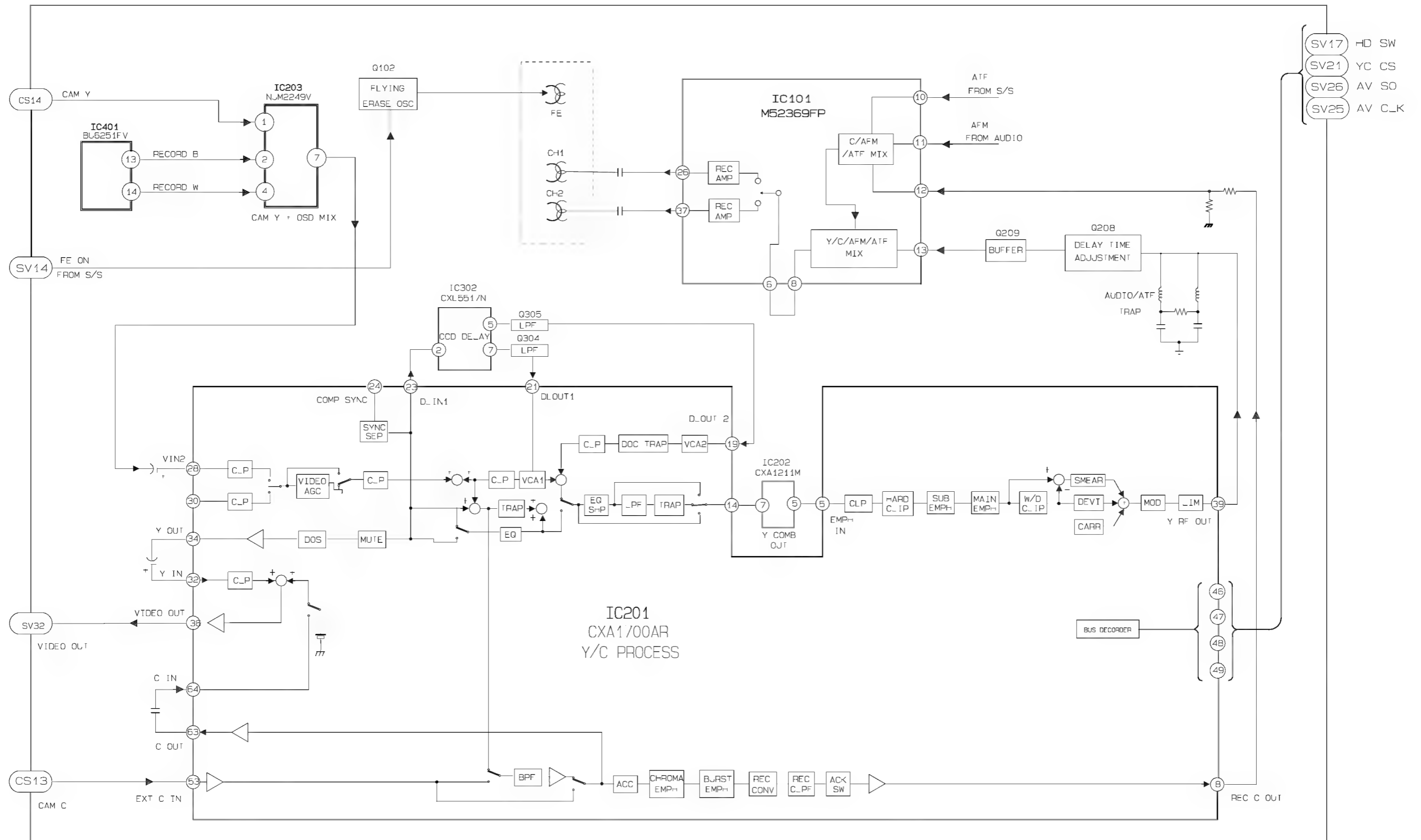
8-7 Video Record (SCL100/150)



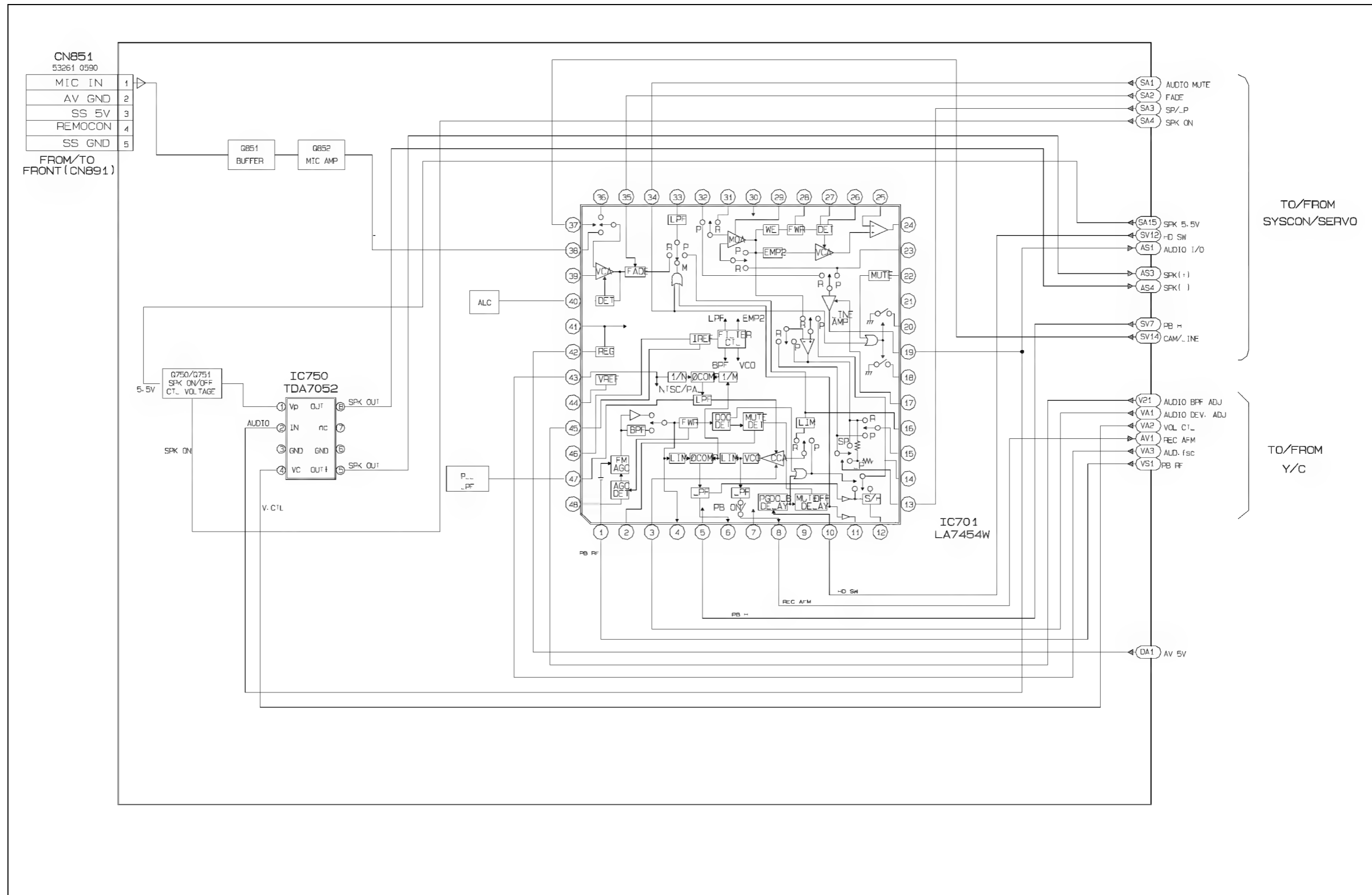
8-8 Video Playback (VP-L100/150)



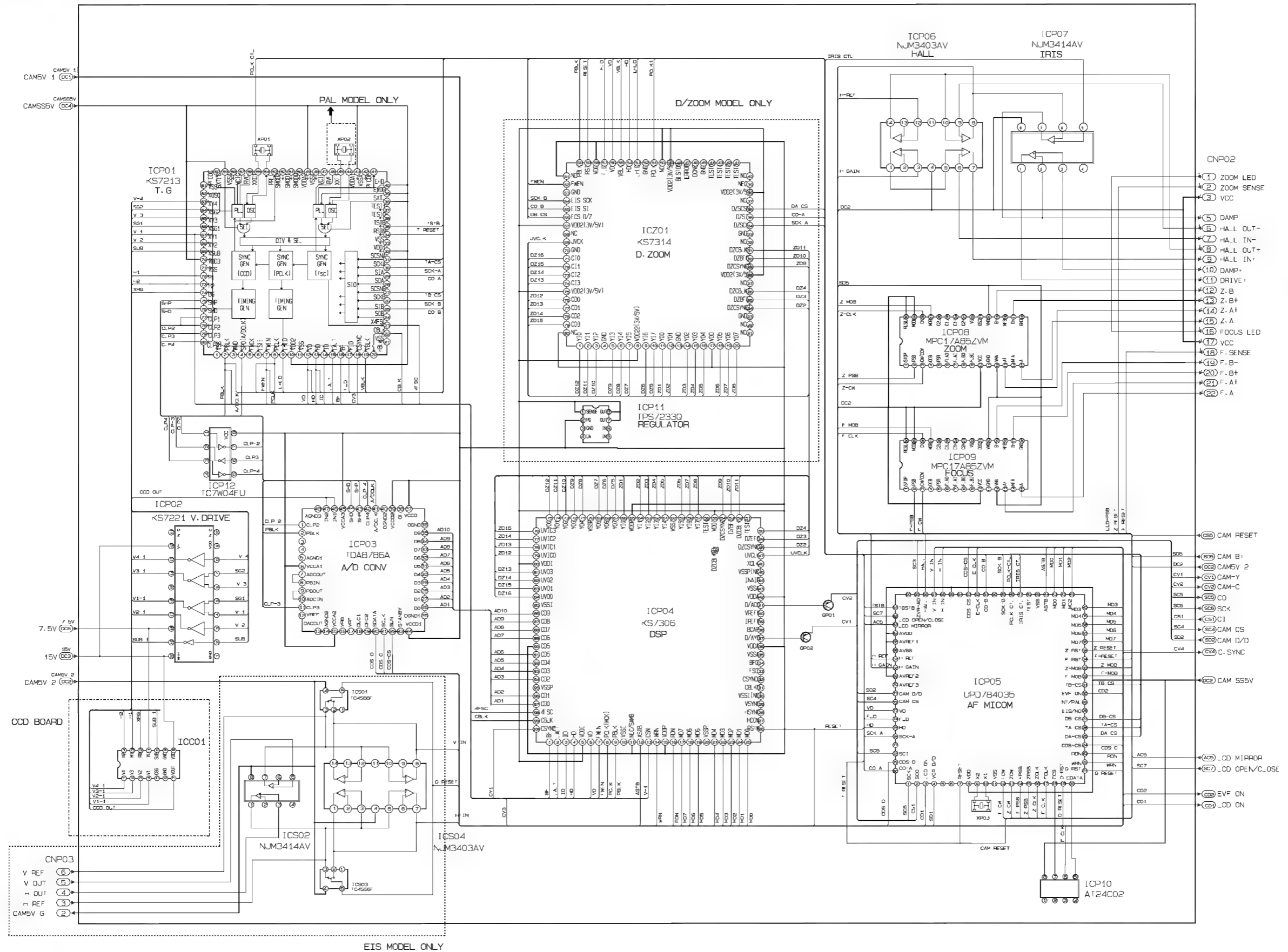
8-9 Video Record (VP-L100/150)



8-10 Audio



8-11 Camera Main



9. PCB Diagrams

	Page
9-1 Main	9-2
9-2 Rear	9-4
9-3 Function AE	9-5
9-4 Function VCR	9-5
9-5 Function Menu	9-6
9-6 EVF	9-7
9-7 CCD	9-8
9-8 LCD	9-9

9-1 Main

IC

- IC101 (B1)
- IC201 (C1)
- IC203 (C2)
- IC302 (D0)
- IC351 (C2)
- IC401 (A2)
- IC421 (B2)
- IC431 (C2)
- IC503 (B1)
- IC505 (A1)
- IC506 (A1)
- IC601 (A1)
- IC602 (A1)
- IC701 (D1)
- ICP02 (C3)
- ICP03 (C2)
- ICP04 (C2)
- ICP06 (D2)
- ICP08 (D3)
- ICP11 (B3)
- ICP12 (C3)
- ICS01 (D2)
- ICS02 (D2)
- ICZ01 (B3)

TRANSISTOR

- Q154 (B1)
- Q156 (B1)
- Q157 (C1)
- Q201 (C1)
- Q206 (C1)
- Q207 (C1)
- Q212 (D1)
- Q213 (D1)
- Q214 (D1)
- Q215 (D1)
- Q216 (C0)
- Q217 (C0)
- Q222 (C1)
- Q223 (C0)

DIODE

- D151 (B1)
- D201 (C0)
- D202 (C0)
- D204 (C0)
- D351 (C2)
- D902 (B3)
- DP02 (C3)
- DP03 (C3)
- DP05 (C3)
- DP10 (C2)
- DP11 (B2)

CONNECTOR

- CN101 (C0)
- CN502 (B2)
- CN503 (B0)
- CN703 (D0)
- CN851 (E1)
- CNP01 (C3)

X-TAL

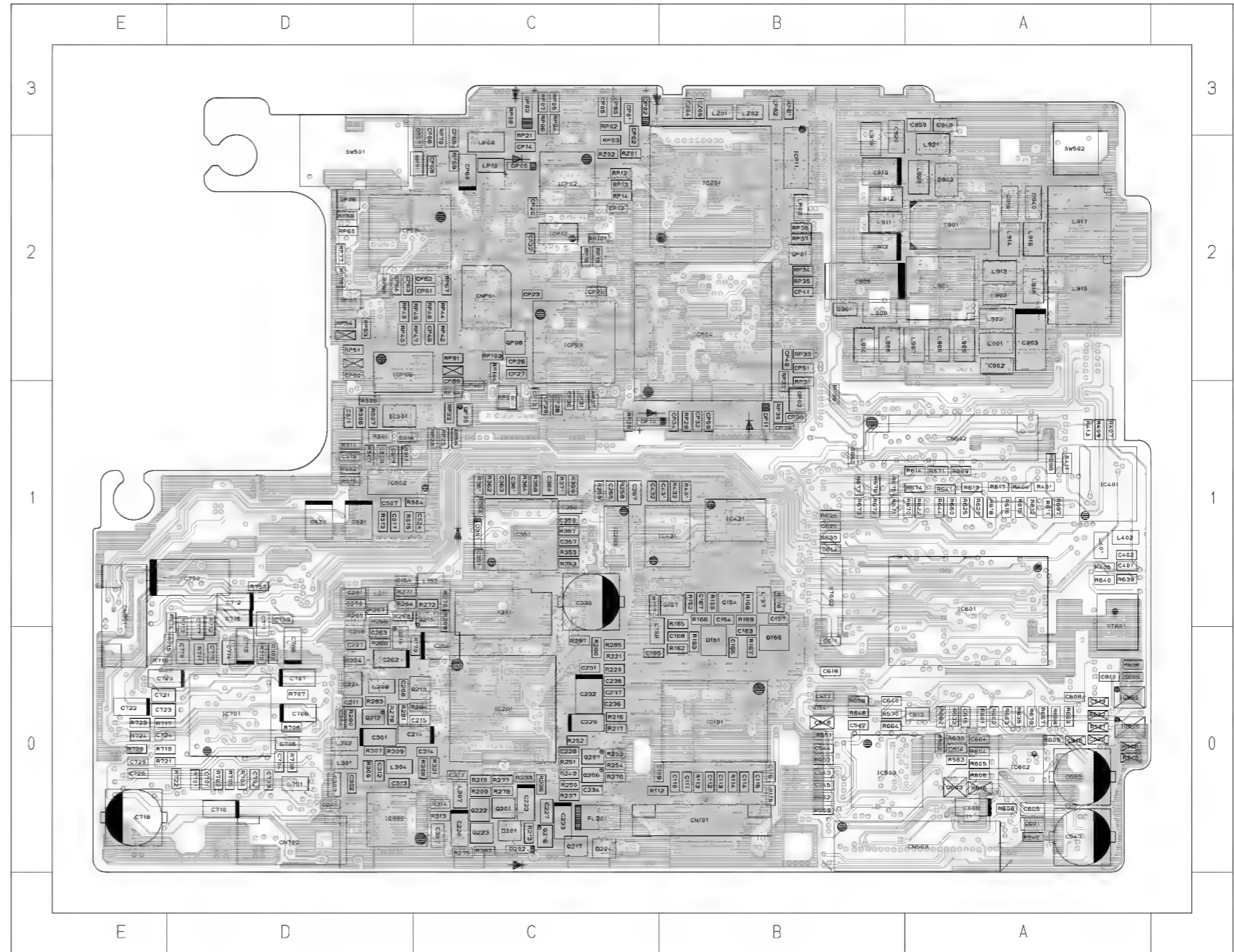
- X201 (C1)
- XT601 (A1)
- XT602 (B1)

TRANS

- T901 (B3)

COIL

- L152 (D1)
- L157 (B1)
- L158 (C1)
- L208 (D1)
- L211 (D1)
- L301 (D1)
- L302 (D1)
- L304 (D1)
- L307 (D1)
- L401 (A2)
- L402 (A2)
- L701 (D1)
- L901 (A2)
- L902 (A3)
- L903 (A3)
- L904 (B3)
- L905 (B2)
- L906 (B2)
- L907 (B2)
- L908 (B3)
- L909 (A2)
- L910 (B2)
- L911 (B3)
- L912 (B3)
- L913 (A3)
- L914 (A3)
- L915 (A3)
- L916 (A3)
- L917 (A3)
- L918 (A3)
- L919 (B3)
- L920 (B3)
- L921 (B3)
- LP03 (B3)
- LP09 (C3)
- LP10 (C3)
- LZ01 (B3)
- LZ02 (B3)



(Component Side)



IC

- IC202 (D1)
- IC204 (C0)
- IC402 (A2)
- IC501 (A1)
- IC502 (B1)
- IC504 (A1)
- IC603 (B2)
- IC702 (D1)
- IC703 (E1)
- IC750 (E2)
- IC901 (A3)
- ICP01 (C3)
- ICS03 (D2)
- ICS04 (D2)
- ICP05 (C2)
- ICP07 (D2)
- ICP09 (D3)
- ICP10 (B3)

TRANSISTOR

- Q102 (C0)
- Q151 (B1)
- Q152 (C1)
- Q208 (C1)
- Q210 (C1)
- Q211 (C1)
- Q218 (C2)
- Q219 (C2)
- Q220 (D1)
- Q221 (D1)
- Q231 (C1)
- Q232 (C1)
- Q301 (D1)
- Q302 (D1)
- Q303 (D0)
- Q304 (C0)
- Q305 (D1)
- Q306 (D1)
- Q351 (C2)
- Q352 (C2)

DIODE

- D203 (D1)
- D401 (A2)
- D402 (A2)
- D901 (A2)
- DP01 (C3)

CONNECTOR

- CN501 (A2)
- CN702 (E1)
- CNP02 (D3)
- CNP03 (E1)

COIL

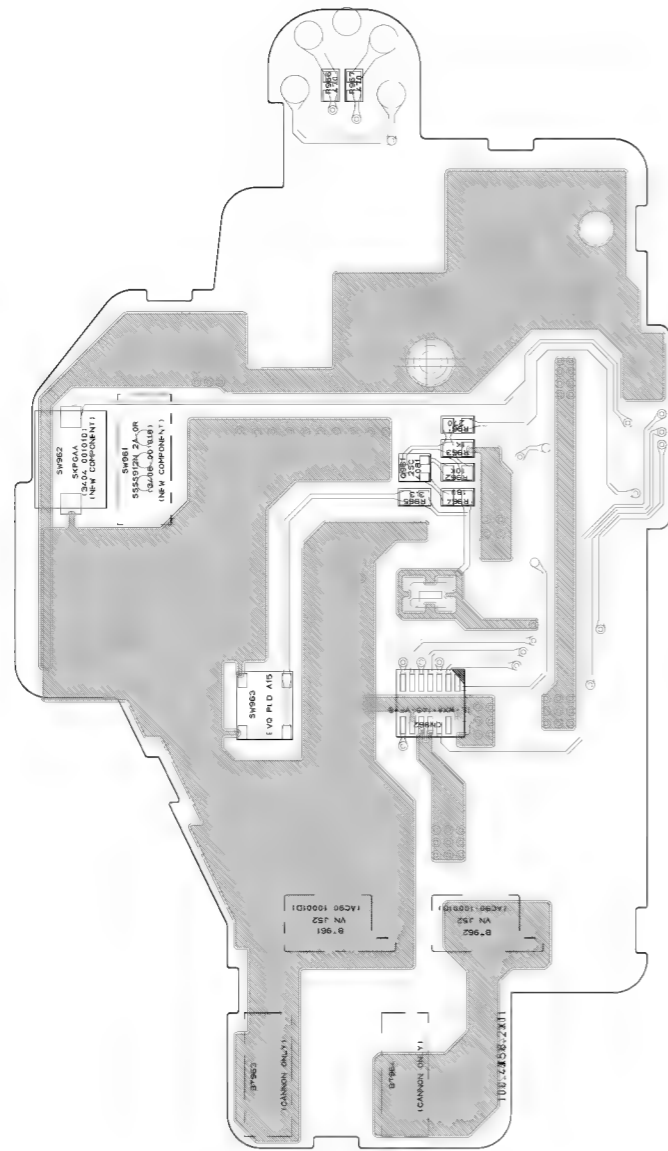
- L101 (B1)
- L102 (B0)
- L103 (C0)
- L151 (B1)
- L153 (B1)
- L154 (C1)
- L155 (C1)
- L202 (C1)
- L203 (C1)
- L205 (C1)
- L206 (C1)
- L207 (C1)
- L209 (D1)
- L210 (C0)
- L212 (C0)
- L281 (C1)
- L303 (D1)
- L305 (C0)
- L306 (C1)
- L351 (C2)
- L421 (C2)
- L431 (C2)
- L601 (B2)
- L602 (A0)
- L603 (B2)
- L750 (D2)
- LP01 (C3)
- LP04 (B3)
- LP05 (C2)
- LP06 (C2)
- LP07 (B3)
- LP08 (D2)
- LP11 (B3)
- LP15 (D2)

X TA_

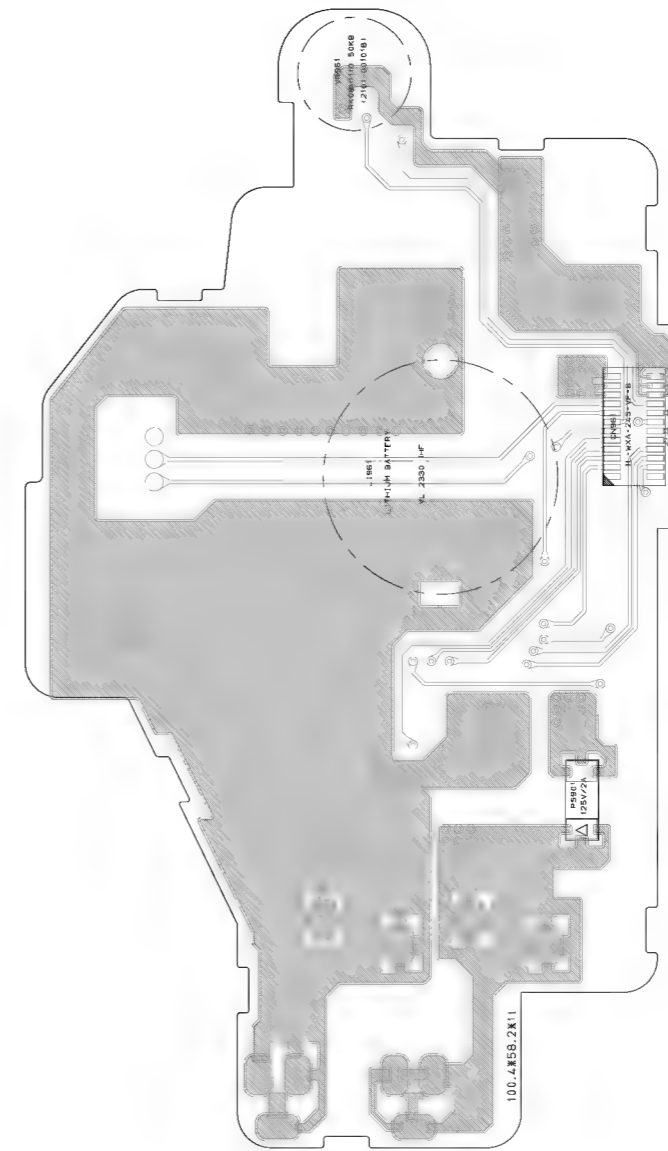
- XP01 (C3)
- XP02 (D3)
- XP03 (C3)

(Conductor Side)

9-2 Rear

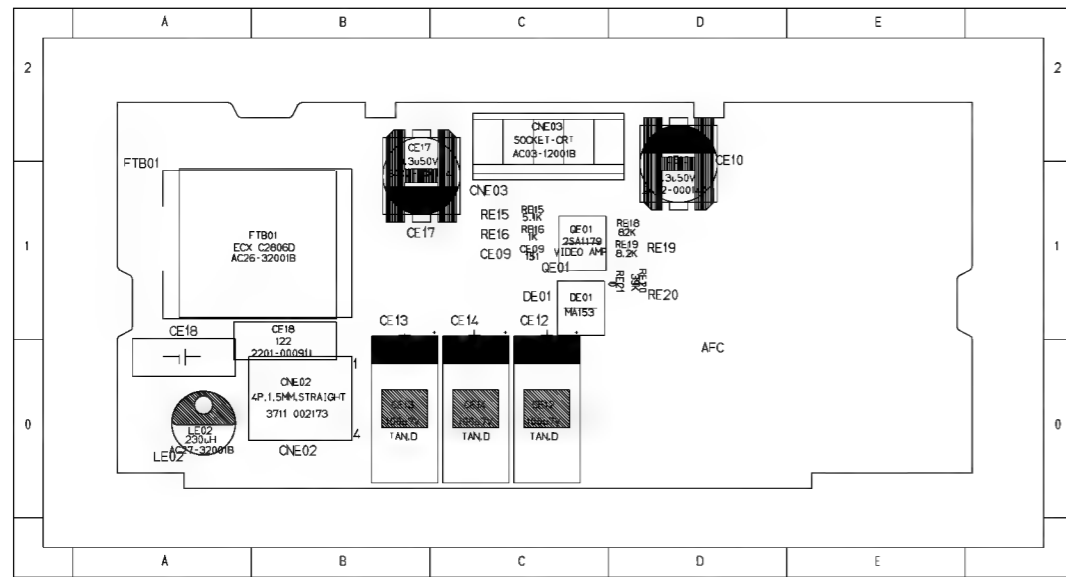


(Component Side)

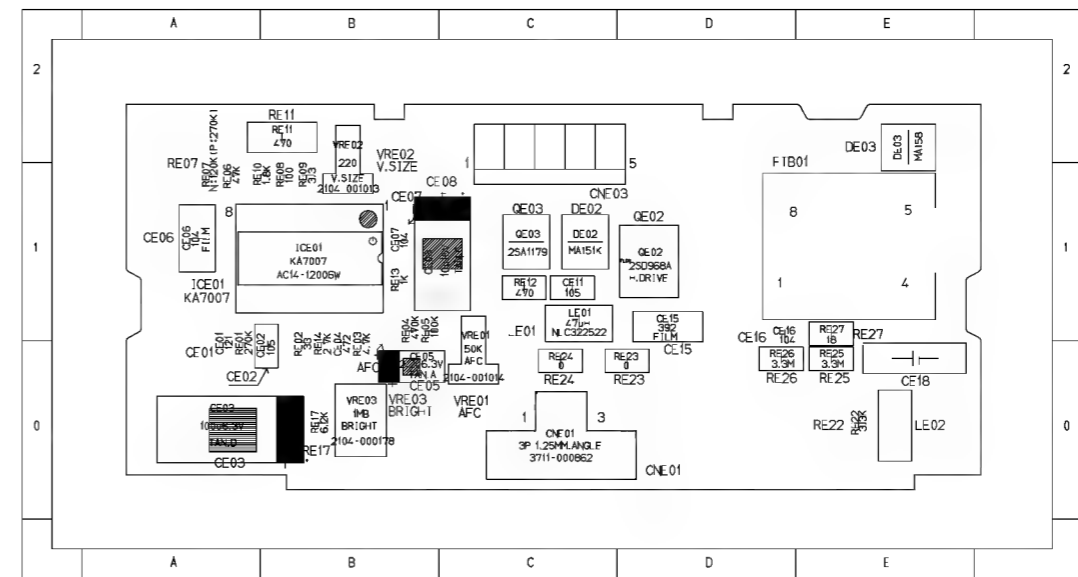


(Conductor Side)

9-6 EVF



- QE01 1C
- CNE02 0B
- CE17 1B
- CE10 1D



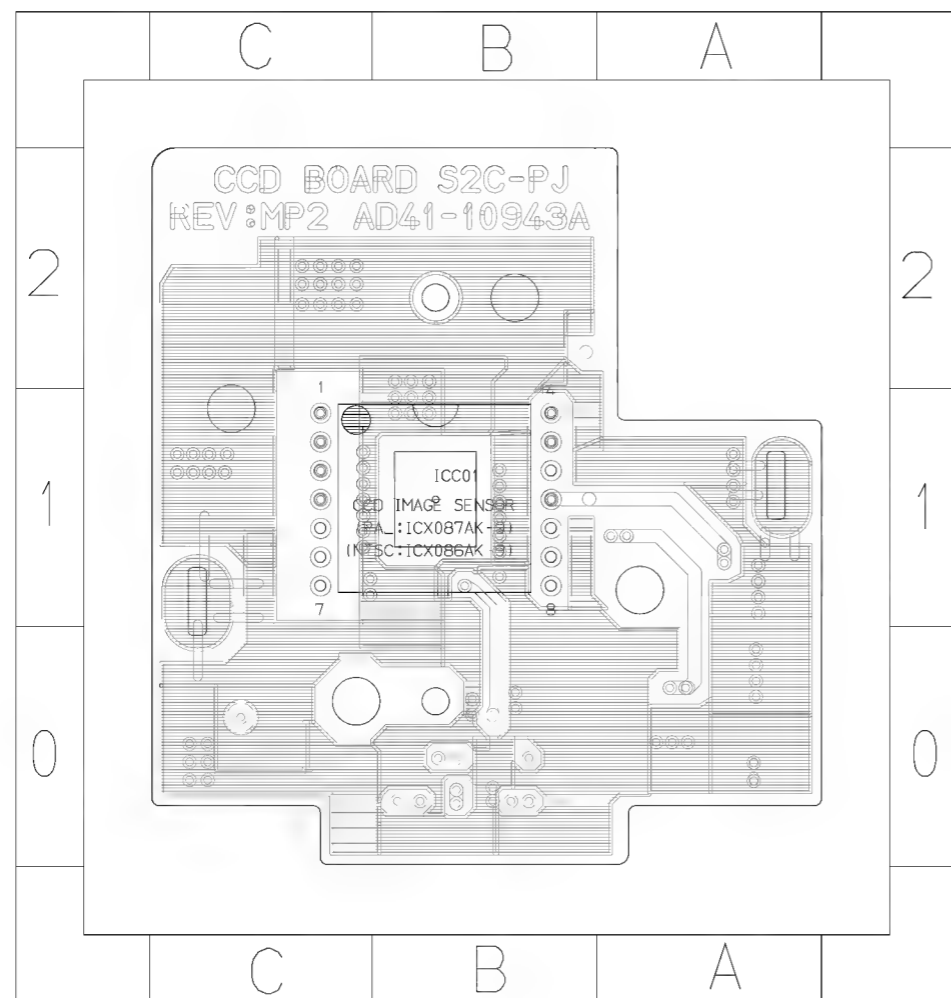
- CNE01 0C
- CNE03 2C
- FTB01 1E
- ICE01 1B
- QE03 1C
- VRE01 0C
- VRE02 1B
- VRE03 0B

(Component Side)

(Conductor Side)

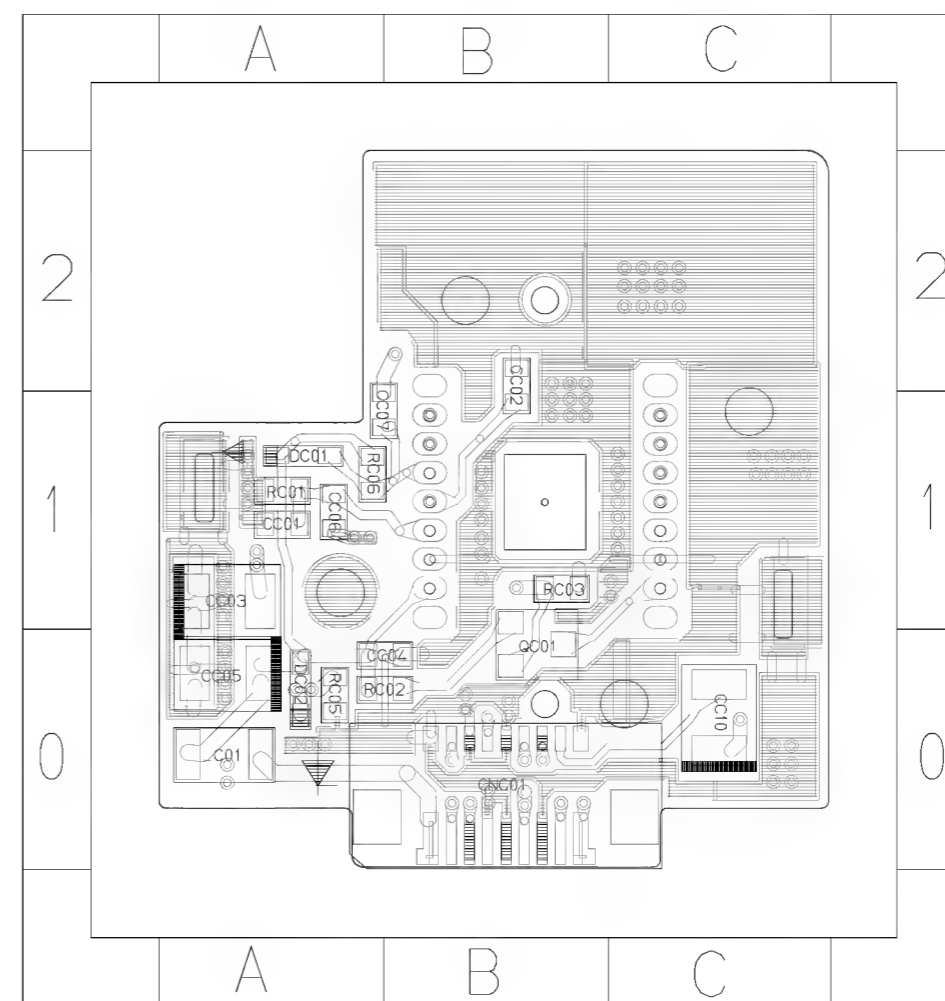
9-7 CCD

ICC01 1B



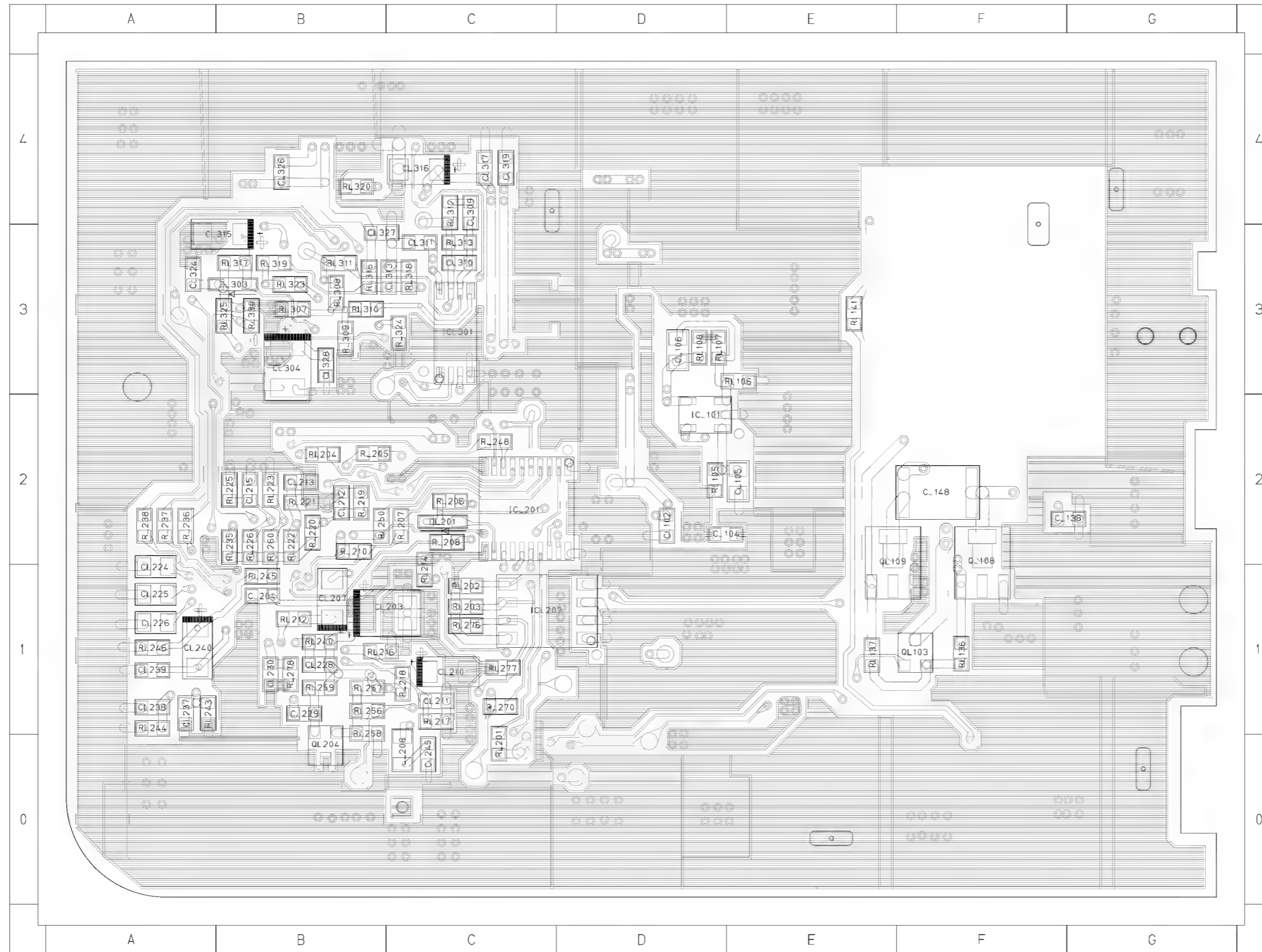
(Component Side)

CNC01 0B
QC01 1B



(Conductor Side)

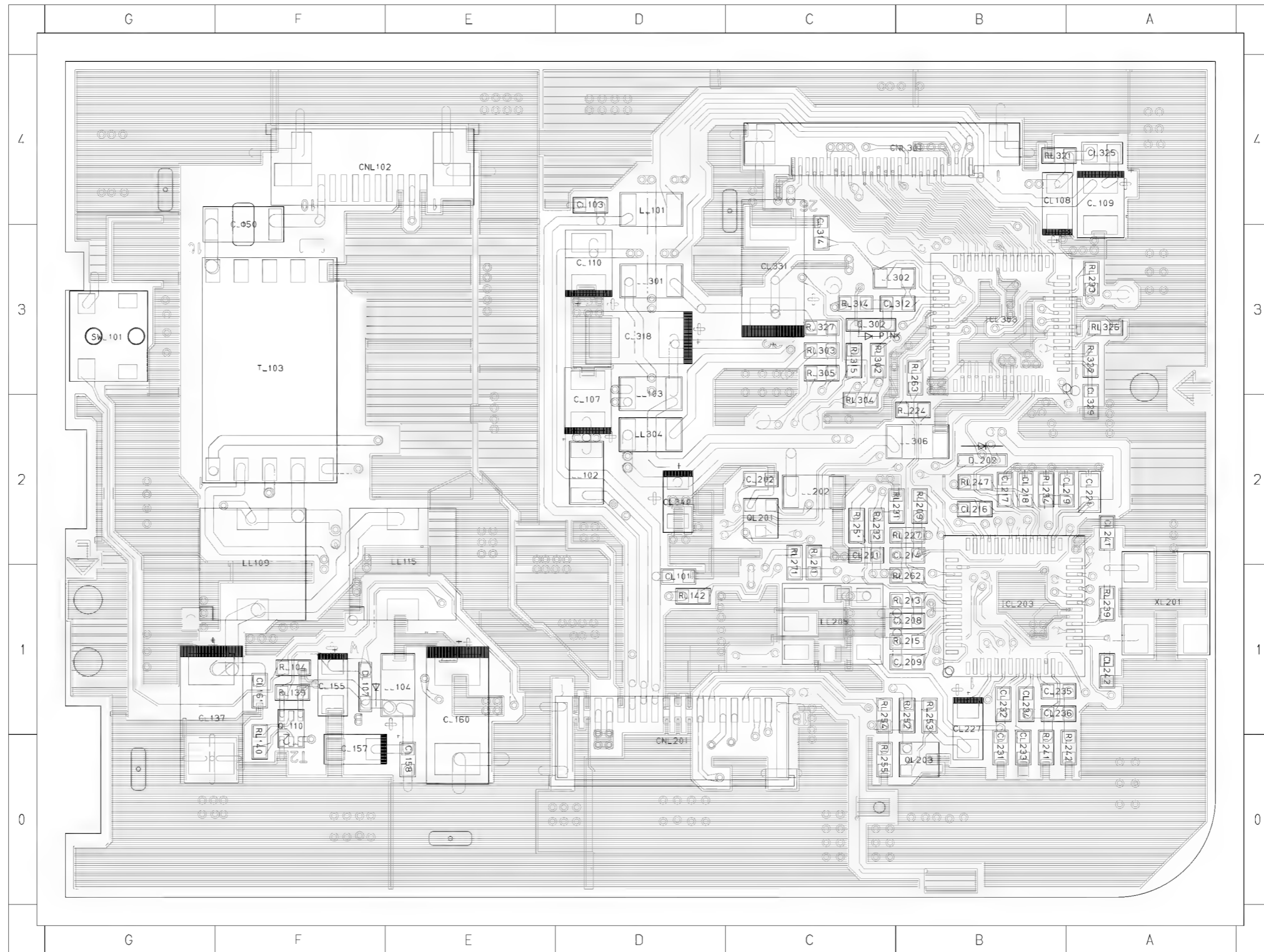
9-8 LCD



D_303	B3
ICL101	D2
ICL201	C2
ICL202	C1
ICL301	C3
Q_103	F1
Q_108	F2
Q_109	E2
Q_204	B0

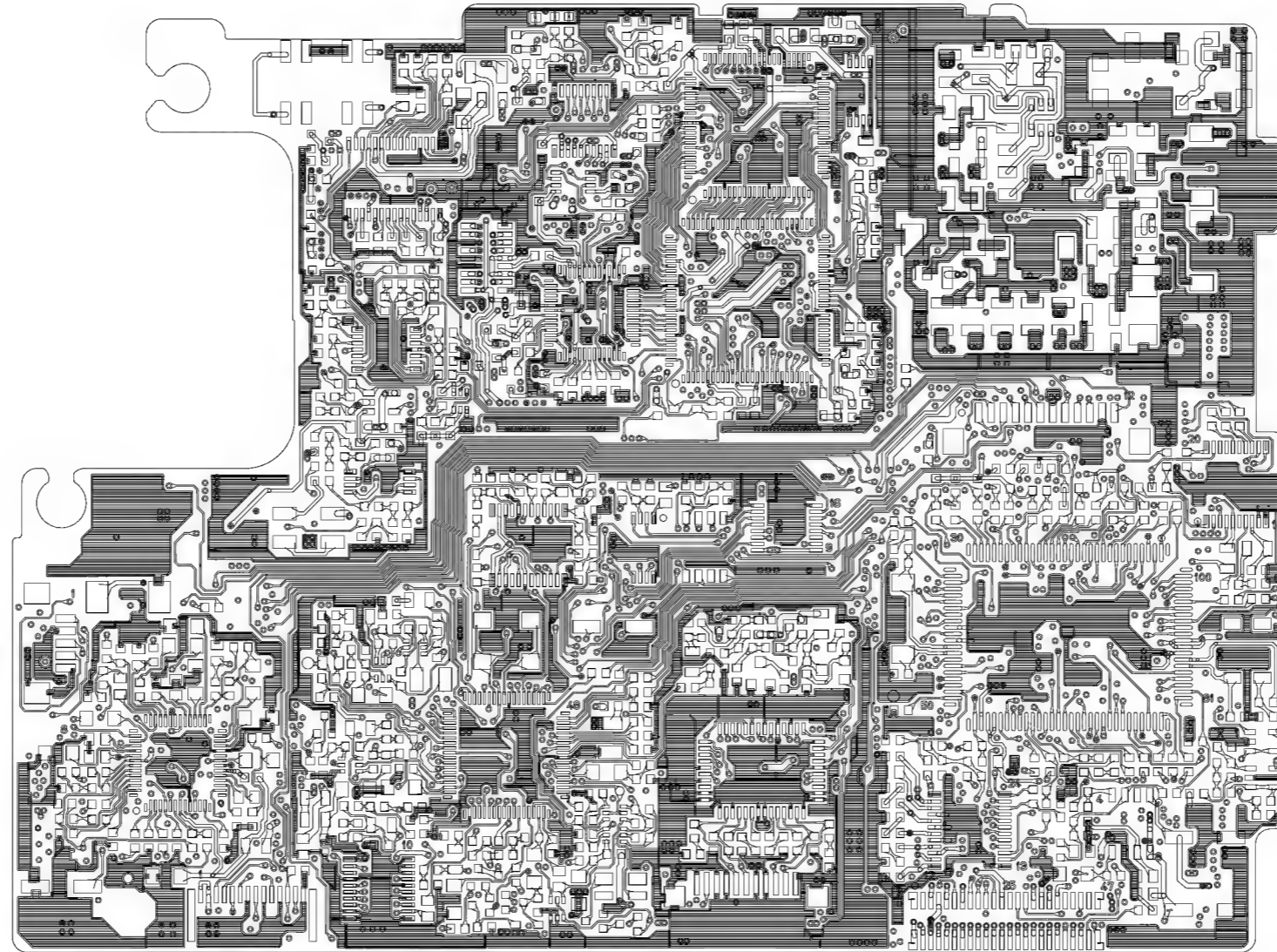
(Component Side)

- F4 CNL102
- D0 CNL201
- C4 CNL301
- C3 D_302
- B1 IC_203
- B3 IC_303
- F1 QL110
- B0 QL_203
- G3 SWL101
- F3 T_103
- A1 X_201



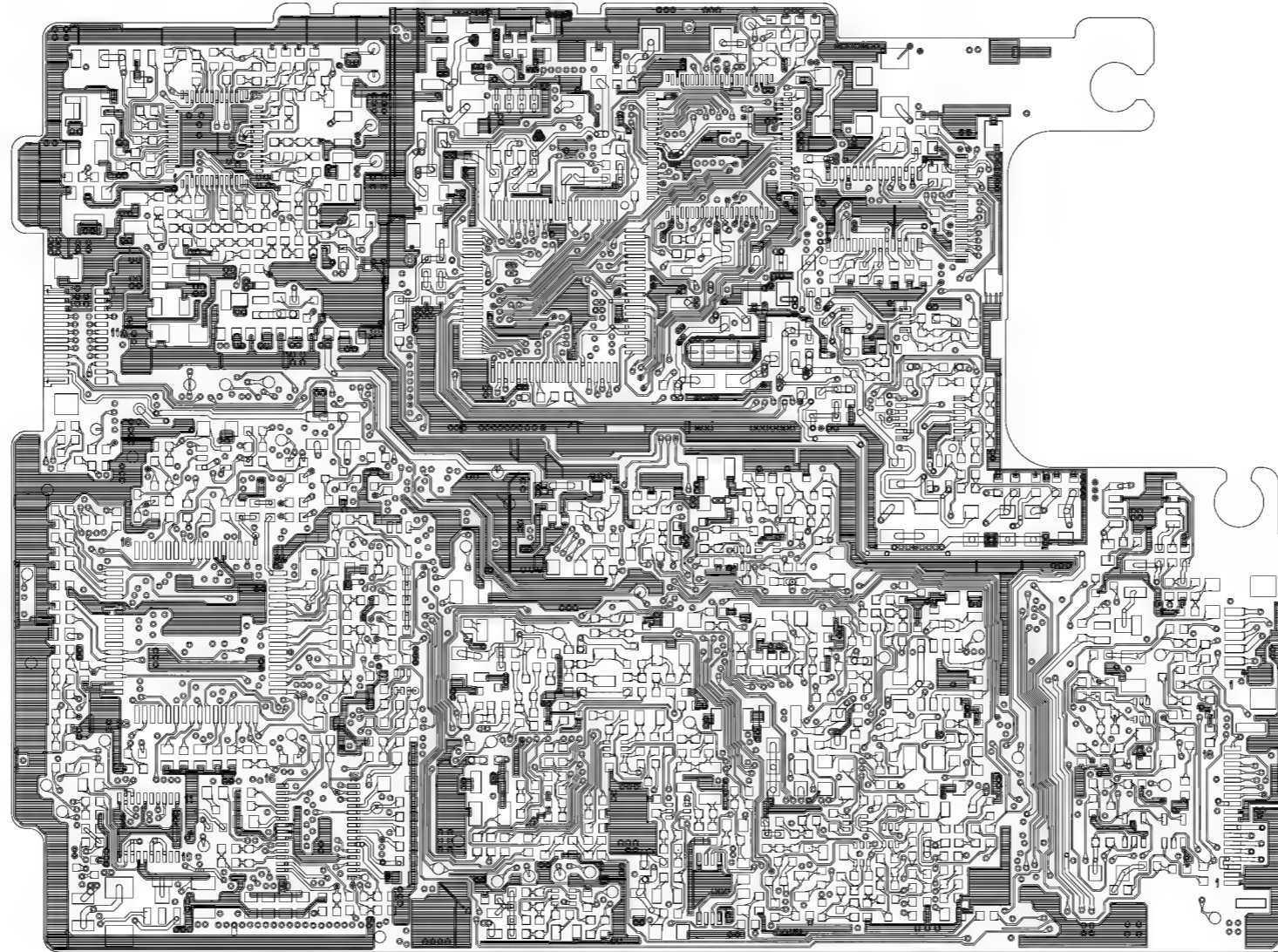
(Conductor Side)

9-1 MAIN (BLUE)



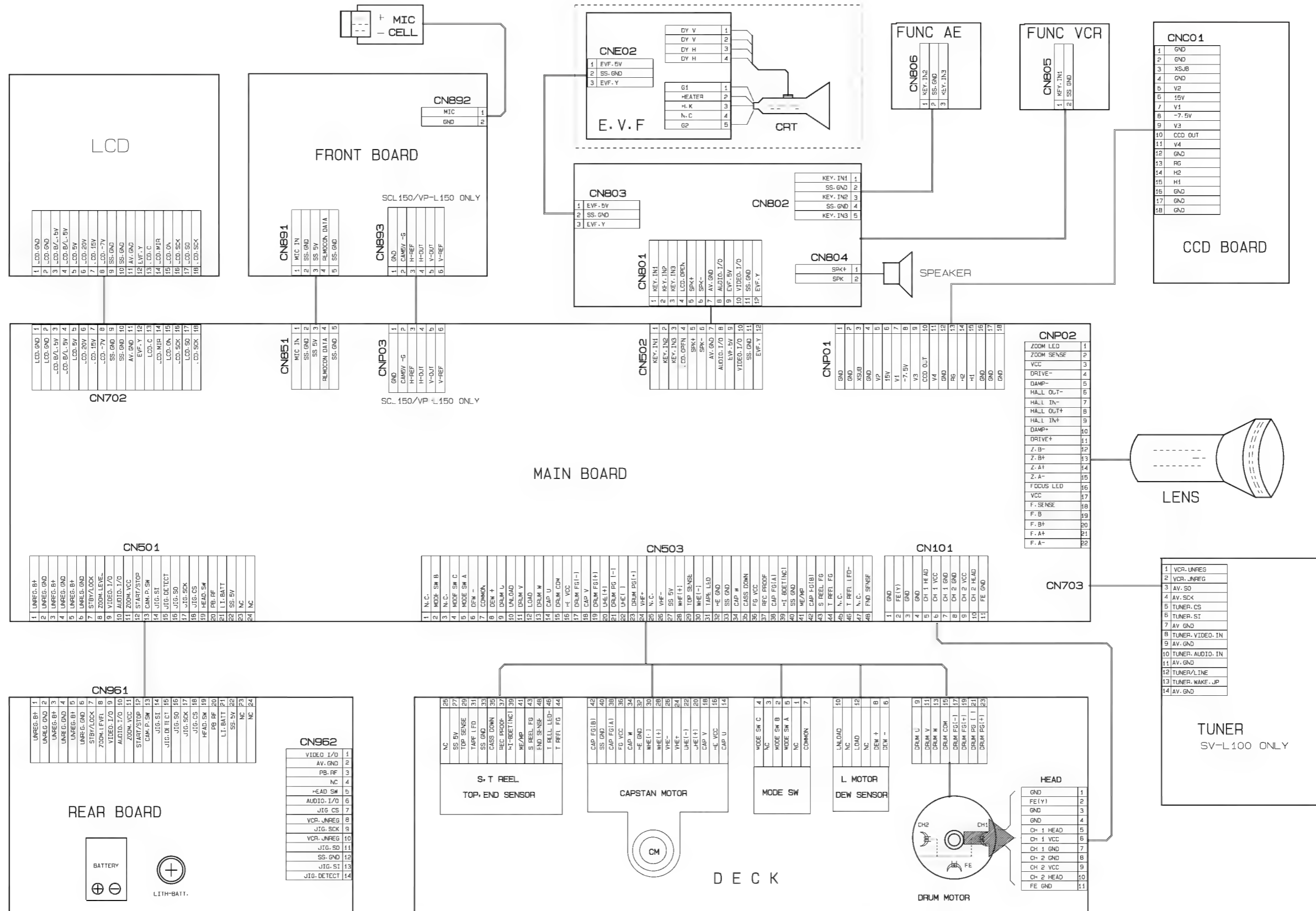
(Component Side)

9-1 MAIN (BLUE)



(Conductor Side)

10. Wiring Diagram



11. Schematic Diagrams

	Page
◆ Block Identification of Main PCB	11-2
11-1 DC/DC Converter	11-3
11-2 System Control/Servo	11-4
11-3 Video	11-5
11-4 Audio	11-6
11-5 Front	11-7
11-6 Function-AE	11-8
11-7 Function-VCR	11-9
11-8 Function-Menu	11-10
11-9 Rear	11-11
11-10 LCD	11-12
11-11 CCD	11-13
11-12 Camera Main	11-14
11-13 EVF	11-15
11-14 Adaptor	11-16

Note

For schematic Diagram
 - Resistors are in ohms, 1/8W unless otherwise noted.
 - Circled numbers refer to waveforms.

Special note :

Most semiconductor devices are electrostatically sensitive and therefore require the special handling techniques described under the "electrostatically sensitive (ES) devices" section of this service manual.

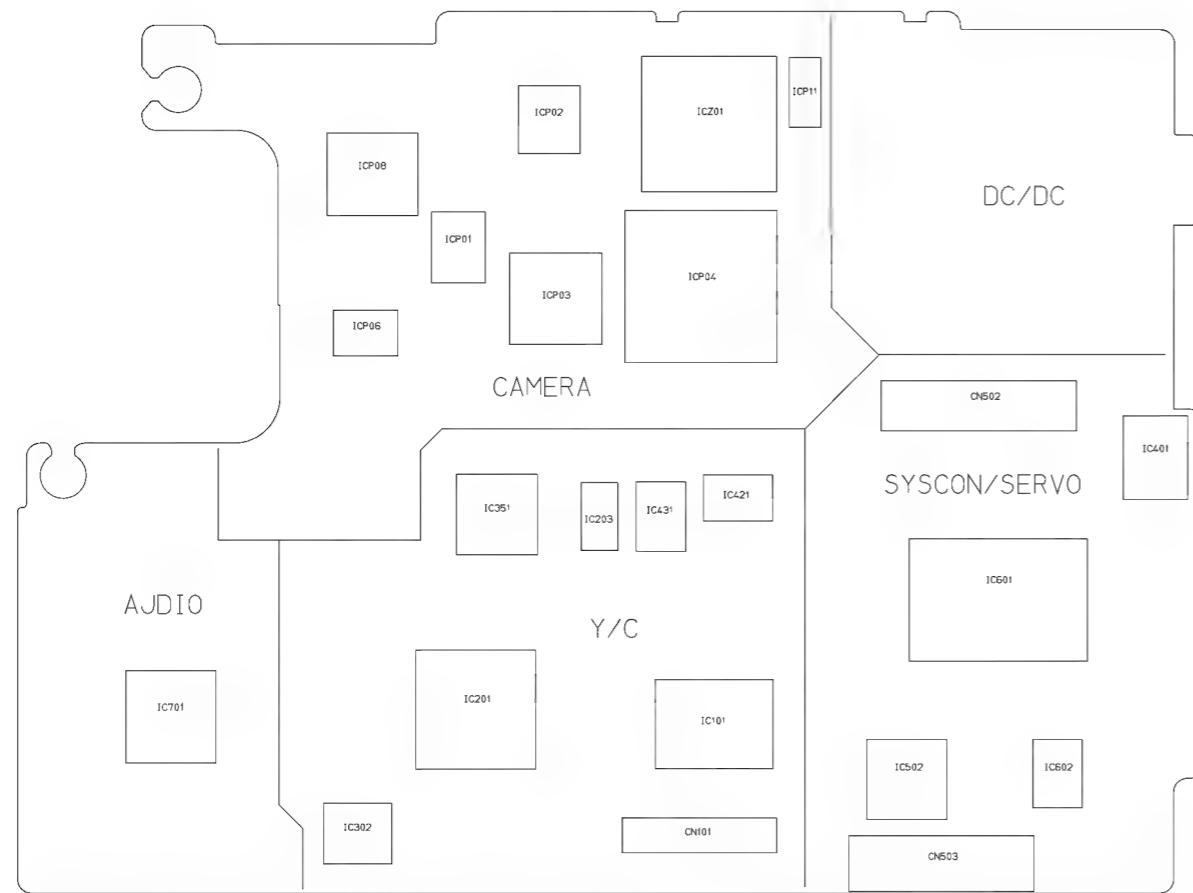
Note :

Do not use the part number shown on this drawing for ordering. The correct part number is shown in the parts list (may be slightly different or amended since this drawing was prepared).

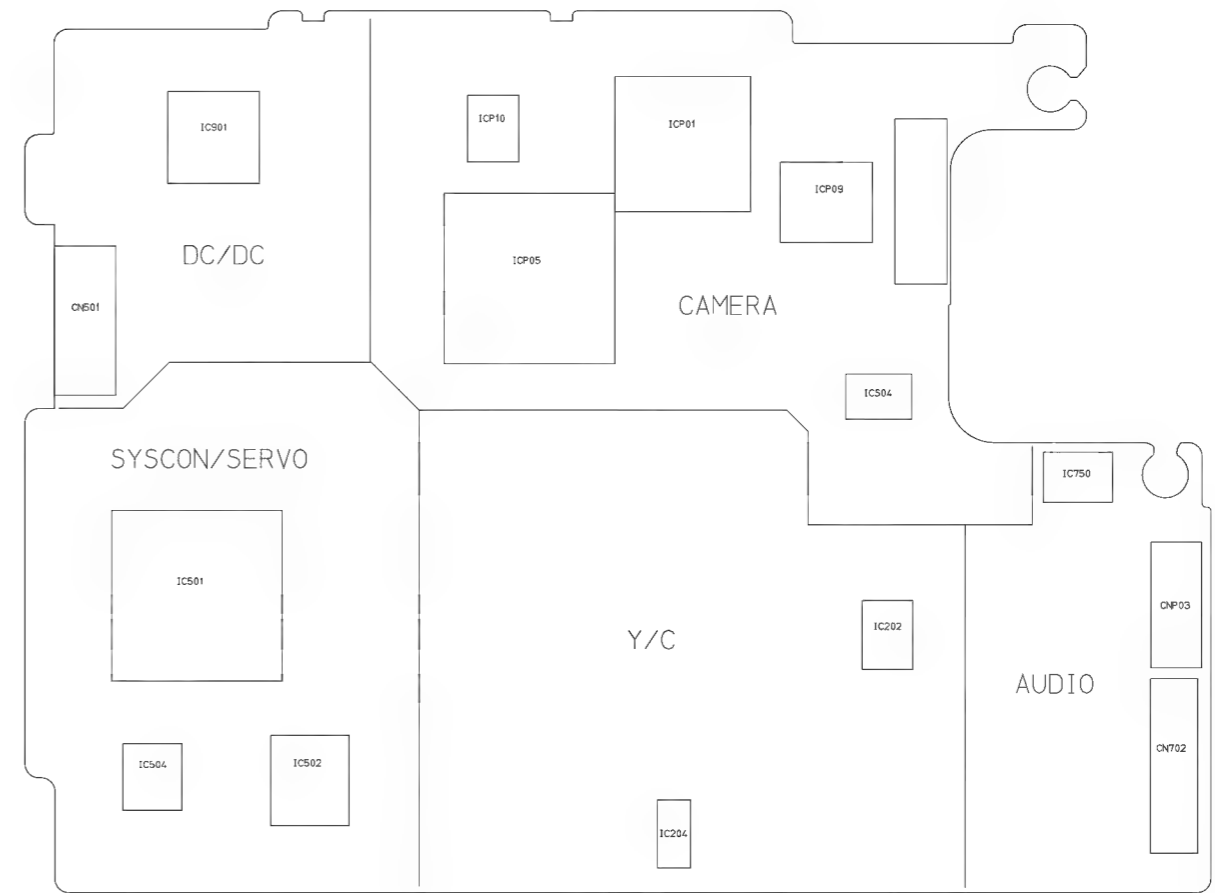
Important safety notices :

Components identified with the mark ⚠ have the special characteristics for safety. When replacing any of these components. Use only the same type.

◆ **Block Identification of Main PCB**

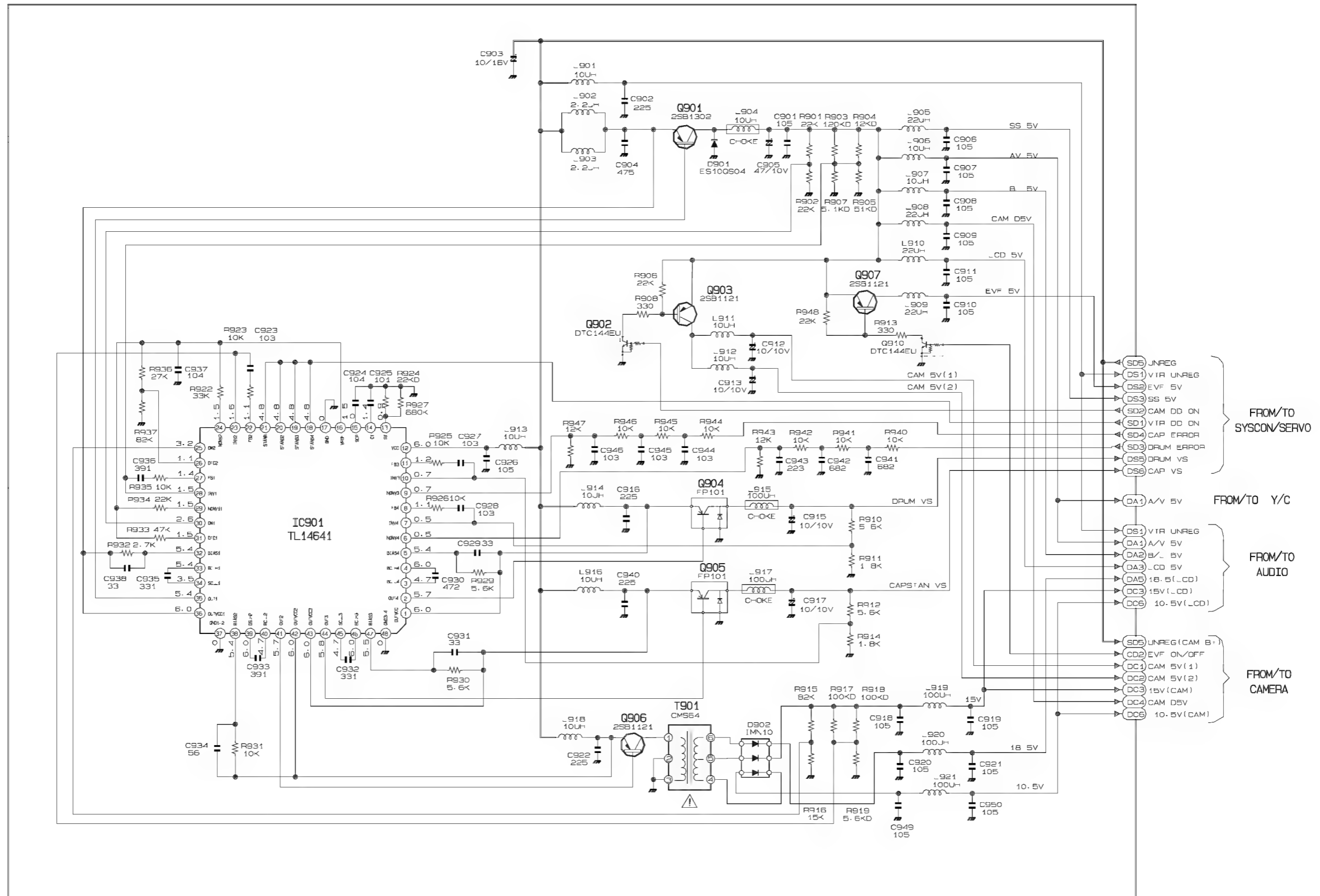


(Component Side)

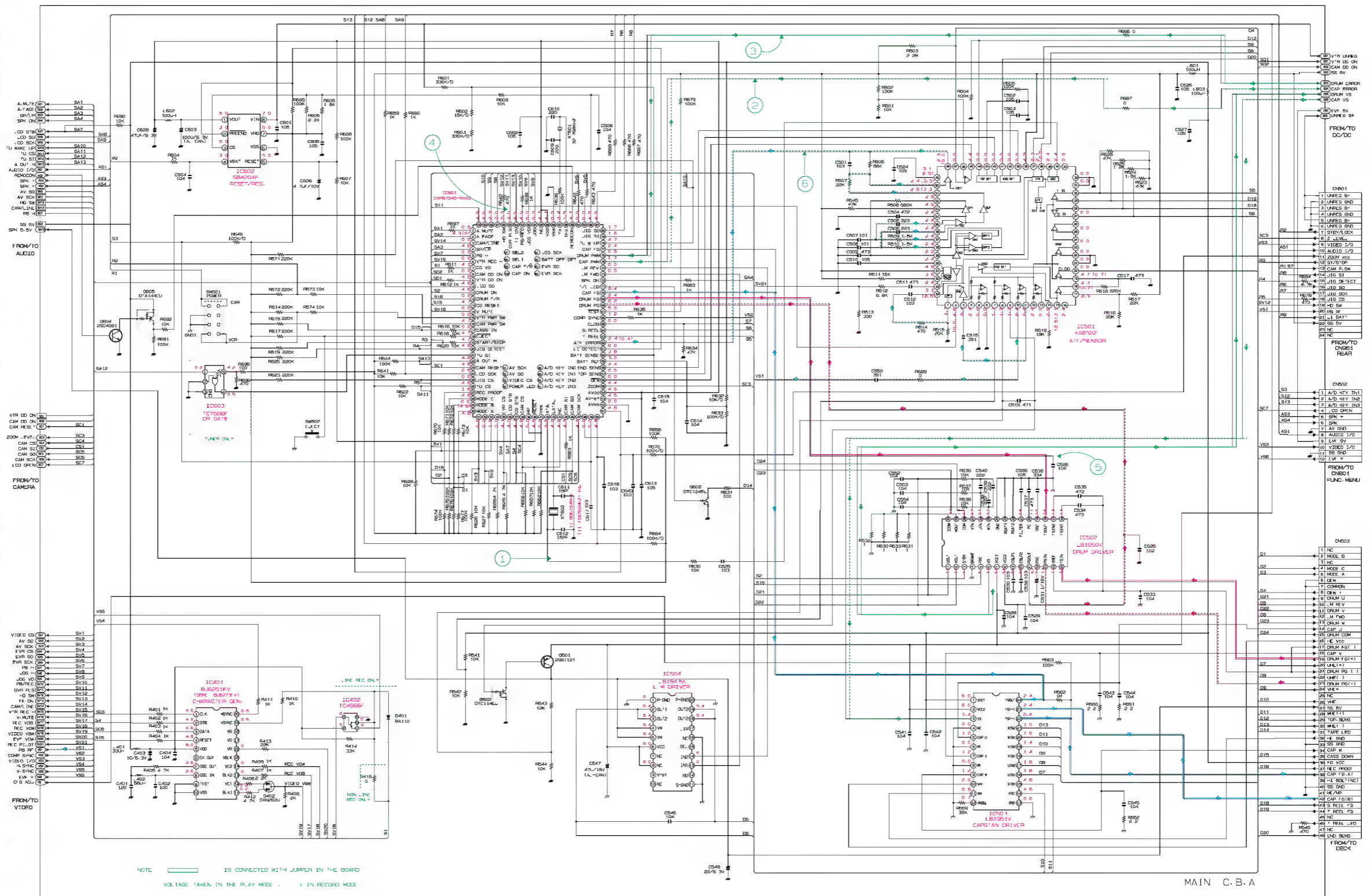
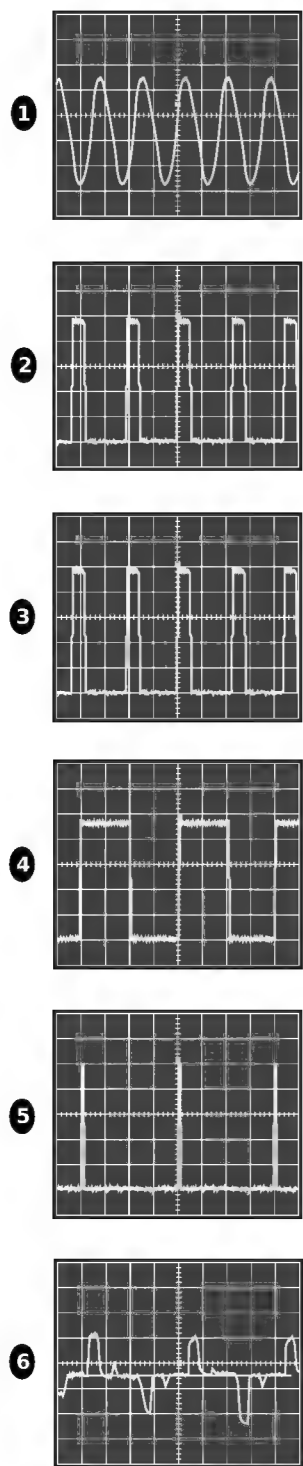


(Conductor Side)

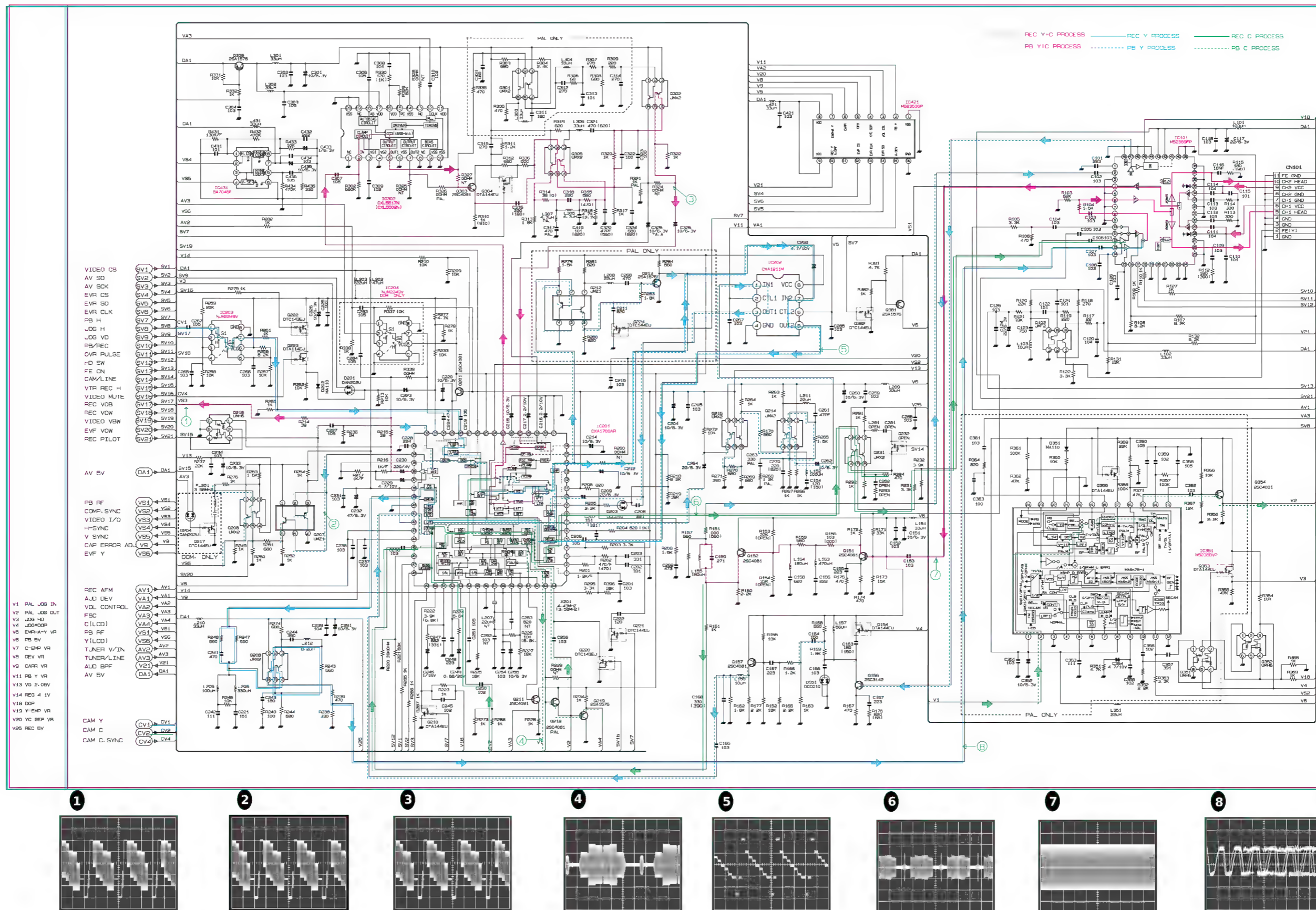
11-1 DC/DC Converter



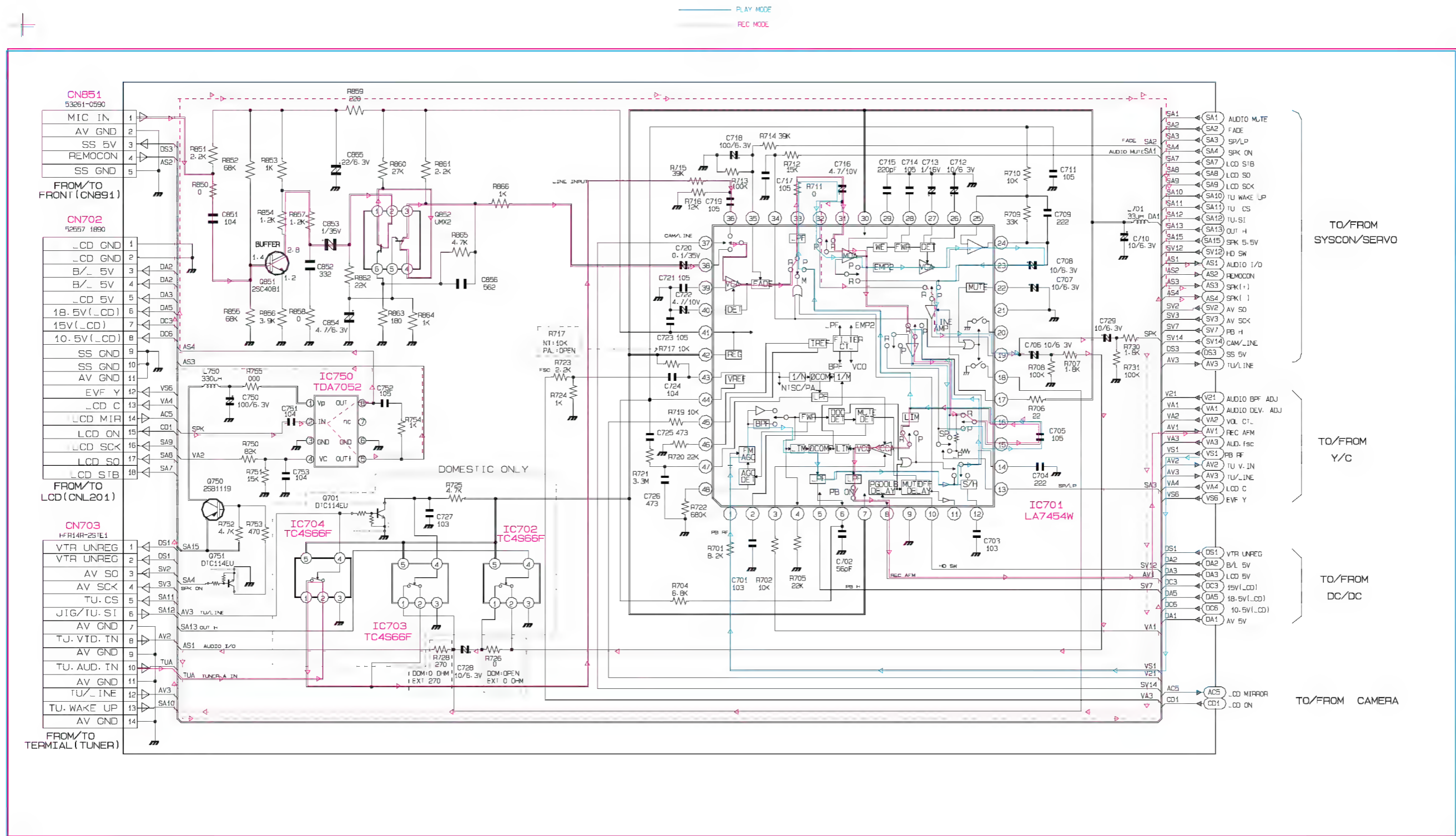
11-2 System Control/Servo



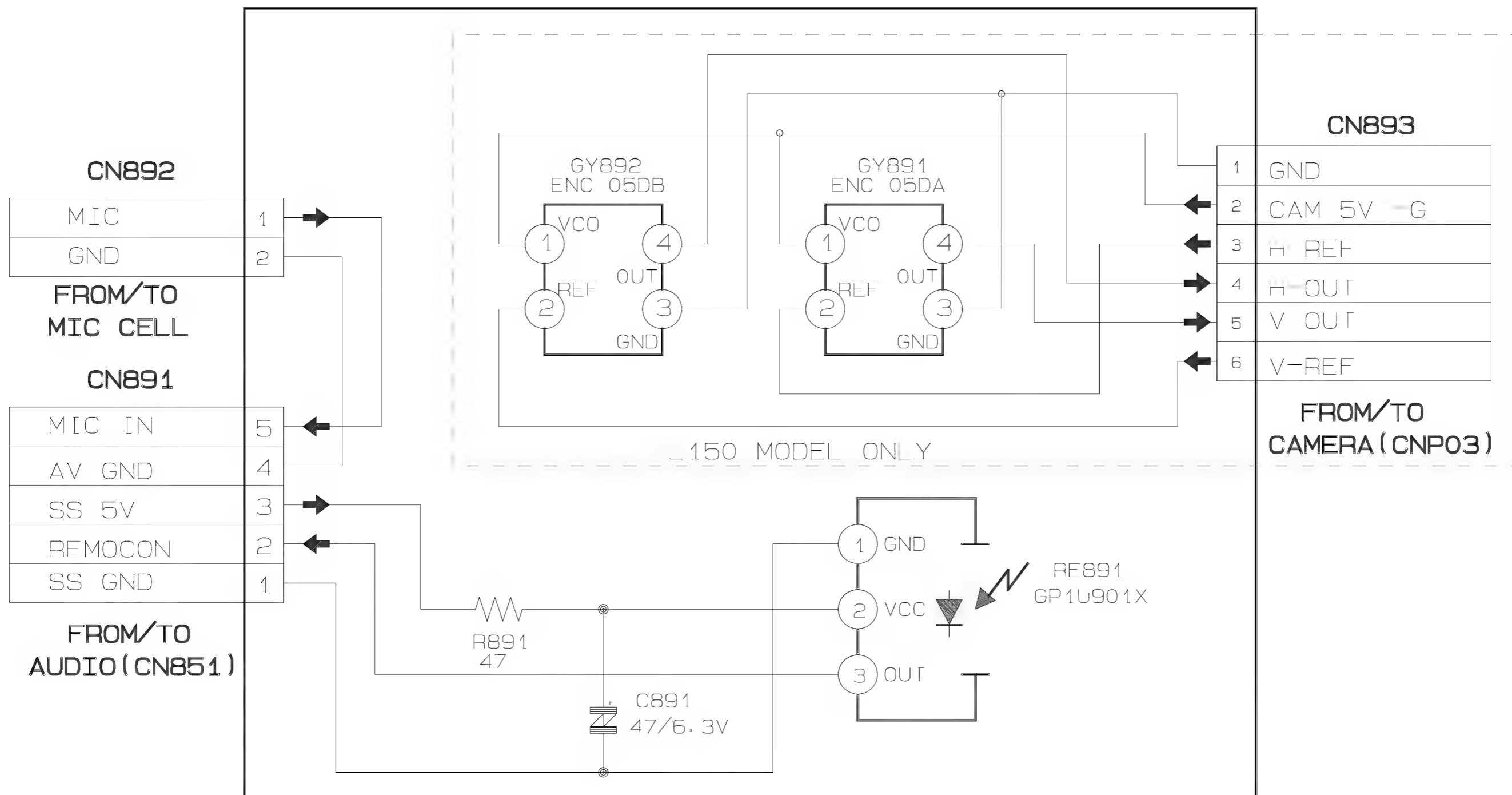
11-3 Video



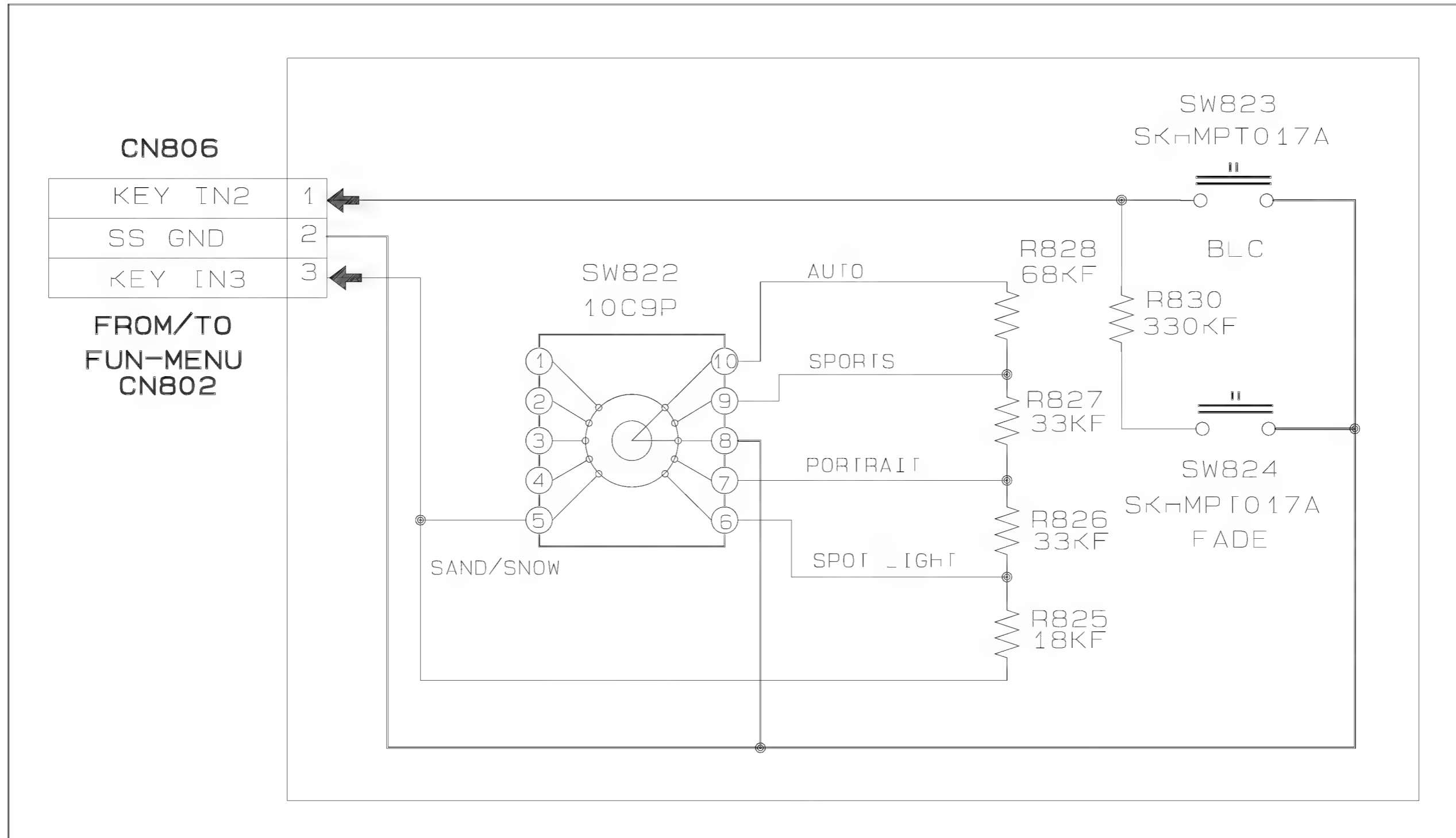
11-4 Audio



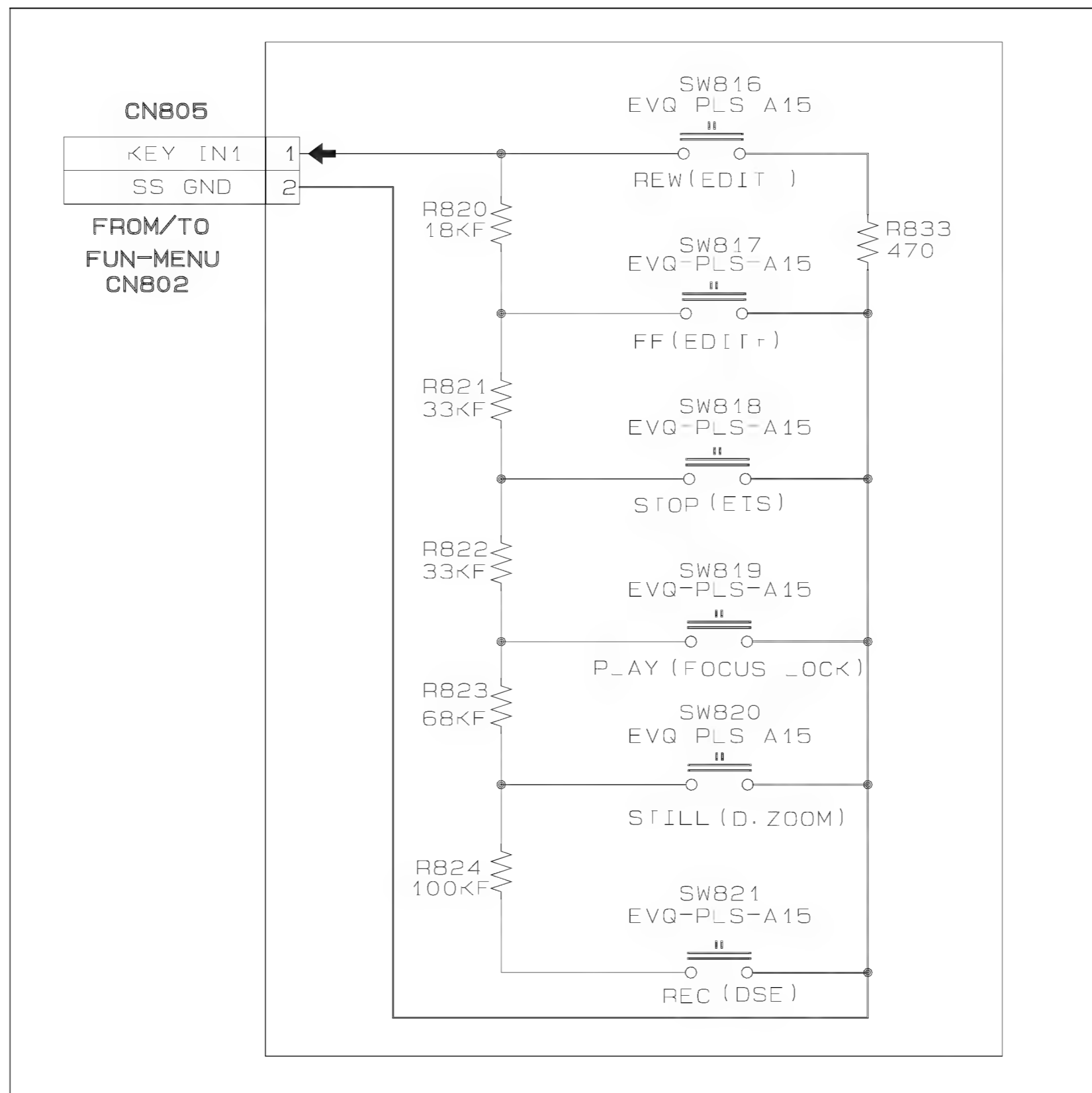
11-5 Front



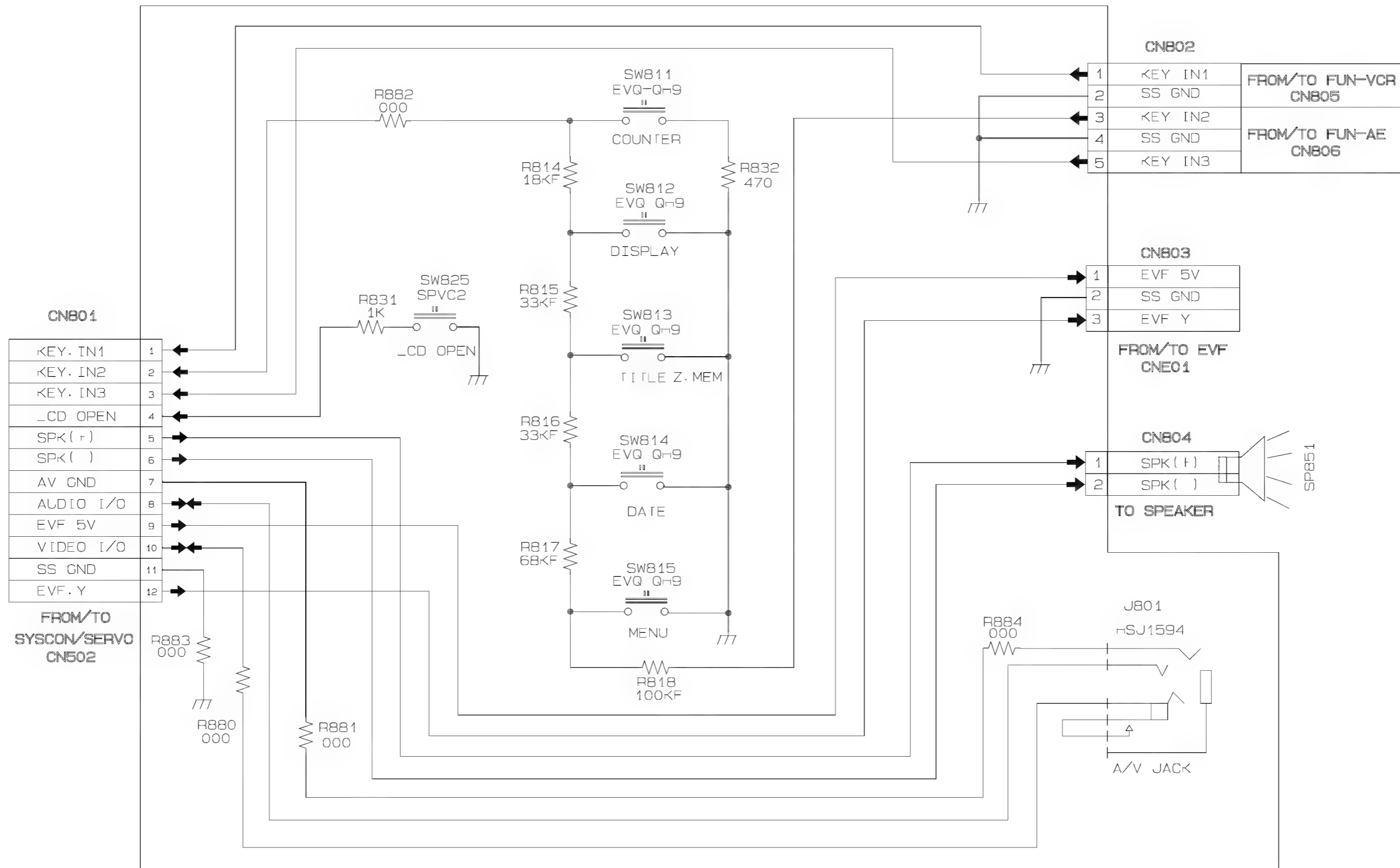
11-6 Function-AE



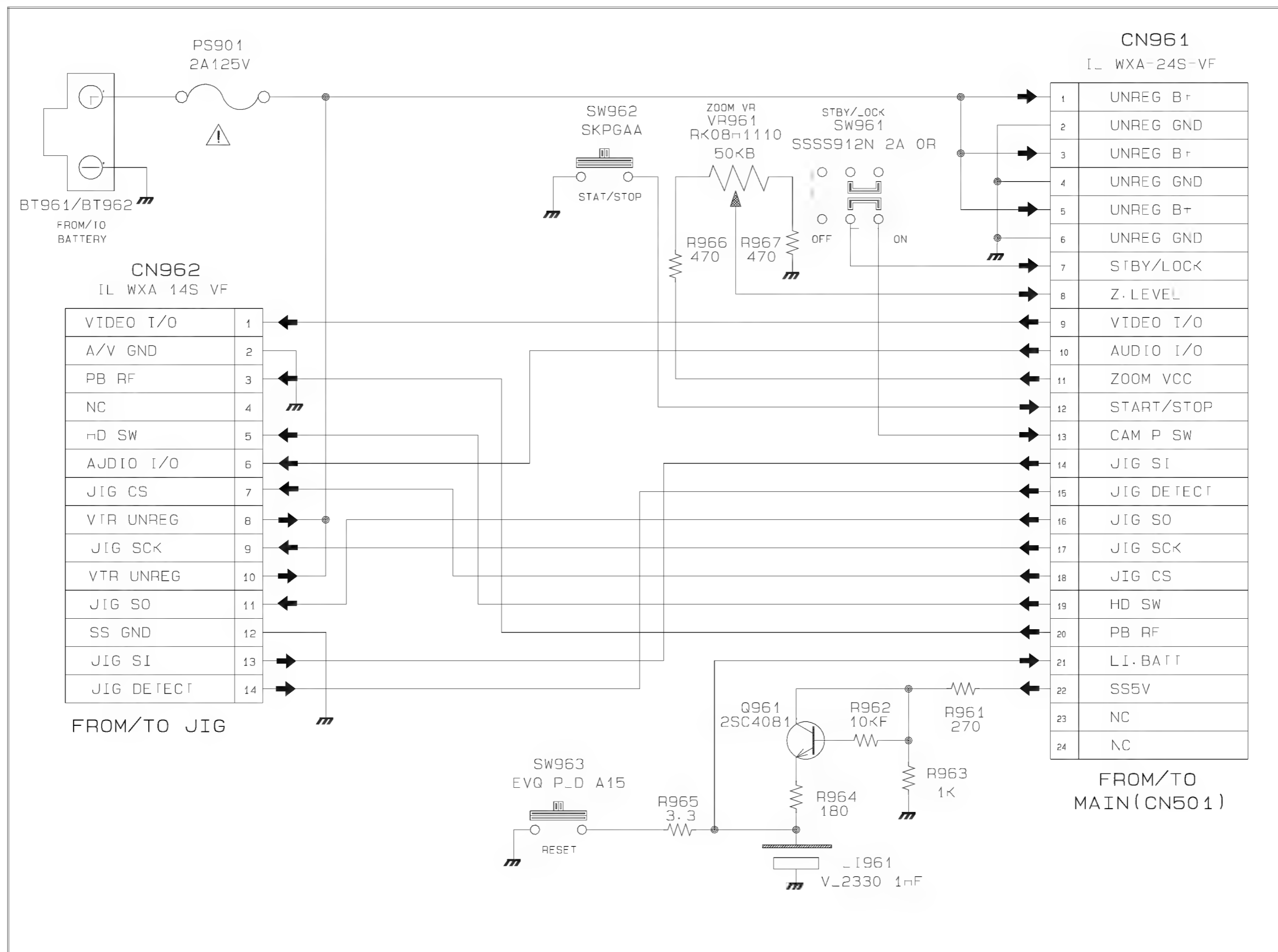
11-7 Function-VCR



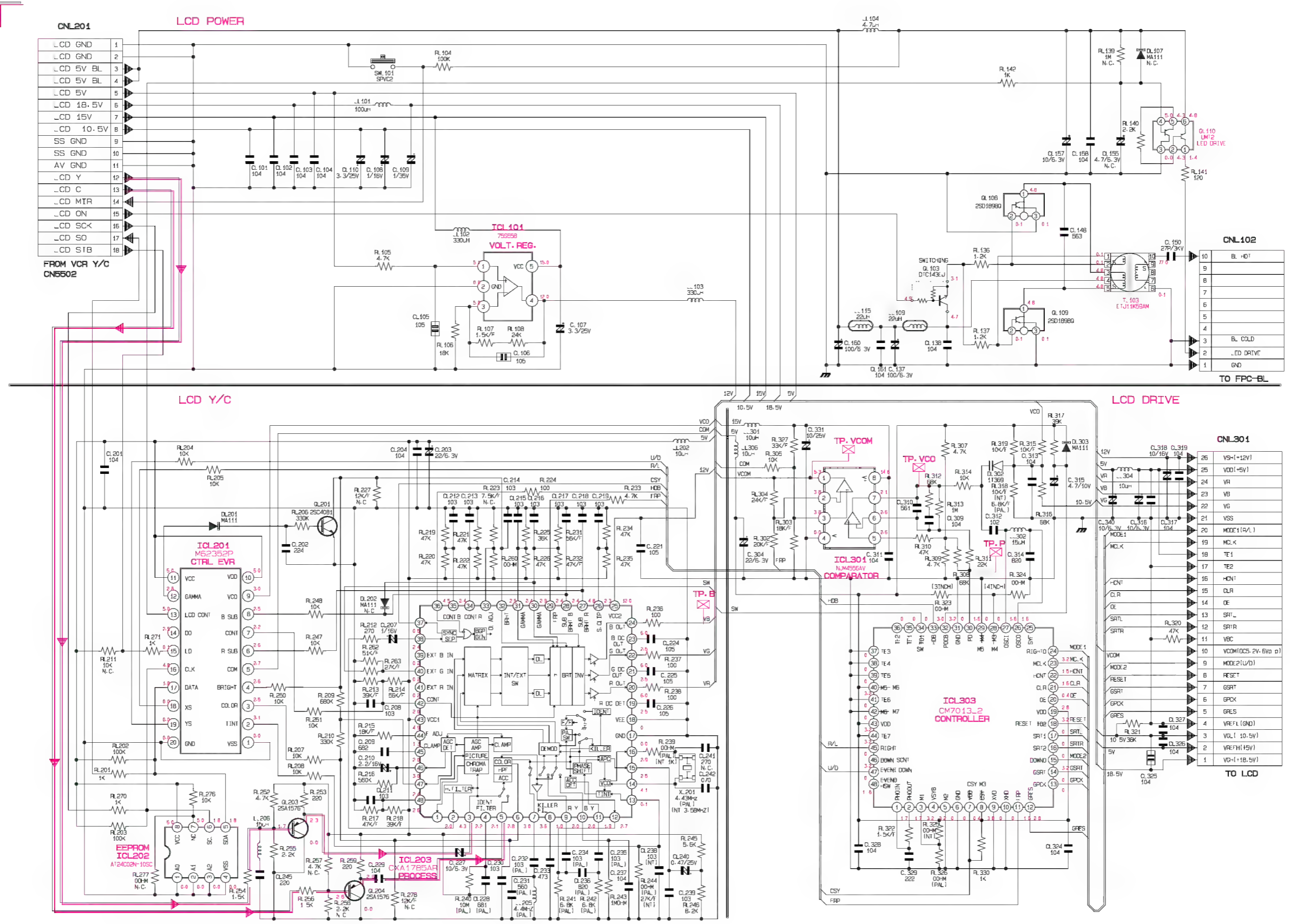
11-8 Function-MENU



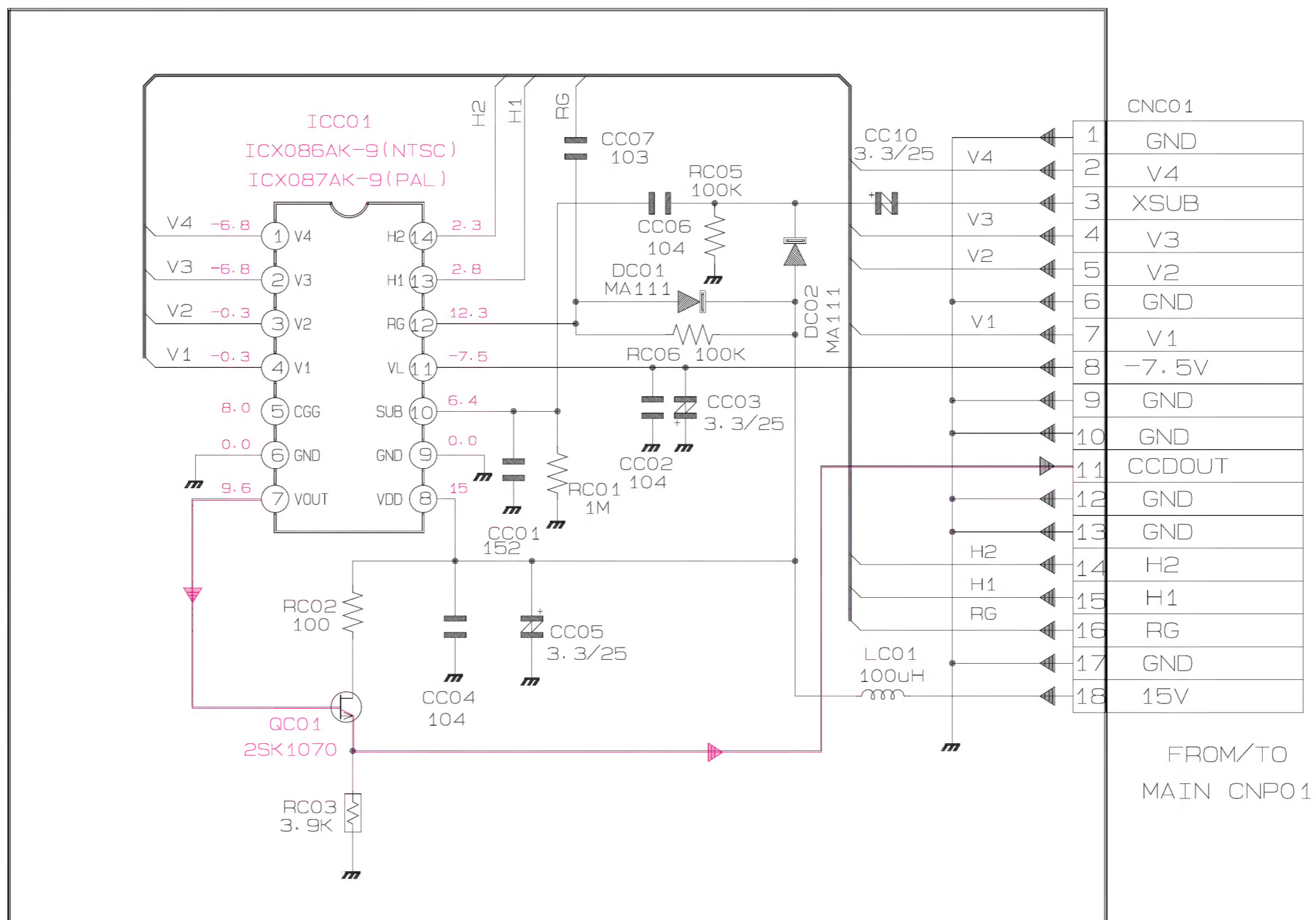
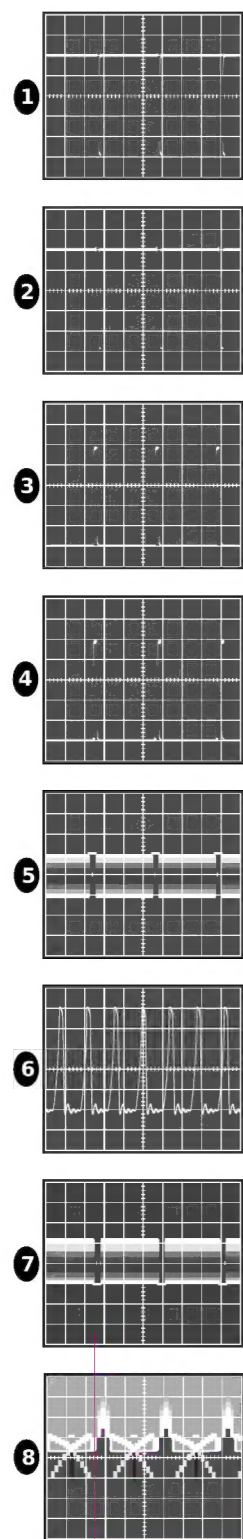
11-9 Rear



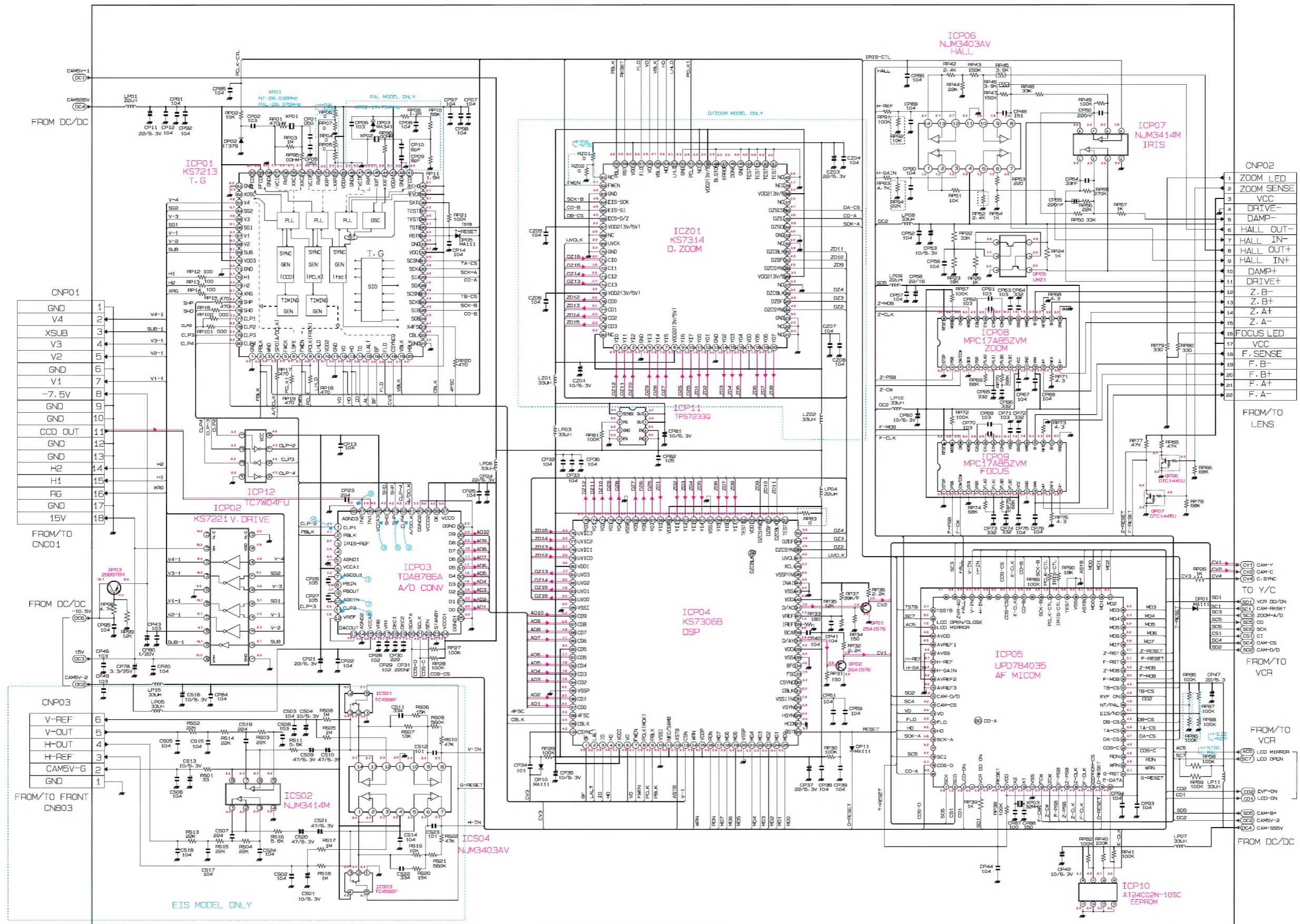
11-10 LCD



11-11 CCD



11-12 Camera Main



- 1
- 2
- 3
- 4
- 5
- 6
- 7
- 8

11-13 EVF

