

2. Troubleshooting

2-1 Main Board

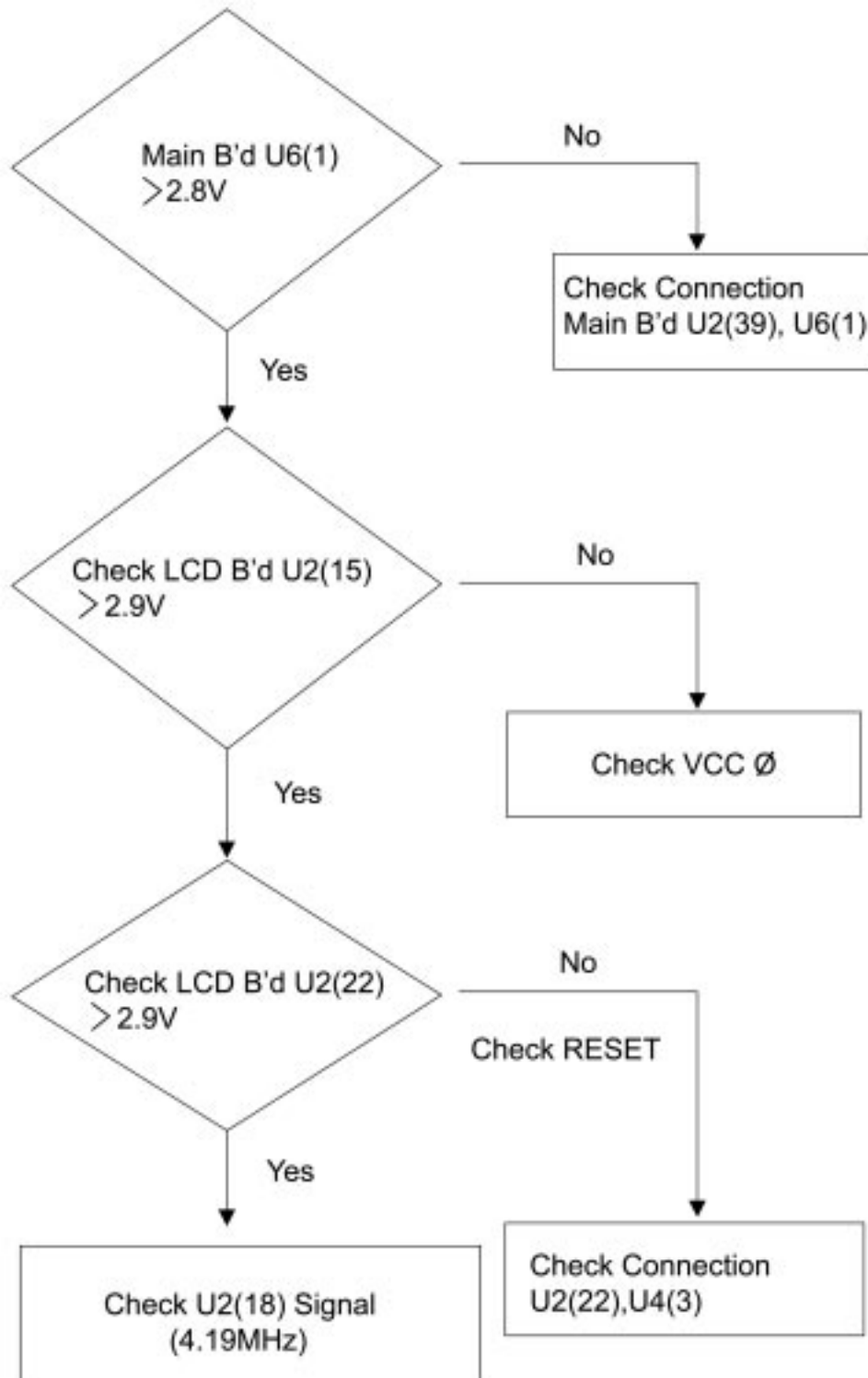
Symtoms	Possible Casuses	Check Points	Action
Displays "🔊" only	- Faulty U4, U5 - Open PCB Pattern	- U1 (OKI MCU) Vdd - U1 pin	Replace
Faulty file downloading	- Open PCB Pattern - Faulty J4 connector	- Ports between J4 and U1(OKI MCU)	Main board
No "Connect" displayed during downloading	- Cold soldering on (HCLK,HACK,#REVEREQ)	- J4pin 10,11,14	
Faulty recognition of memory	- Open or Short PCB - Fault Flash Memory	- Pattern between U1 and memory chips	
Faulty switch operation	- Cold soldering on switch - Open PCB pattern	- Open/Short test of switch - Mechanical parts	
No power on	Faulty##U2	U2 pin 7, 12, 39(high)	

2-2 LCD Board

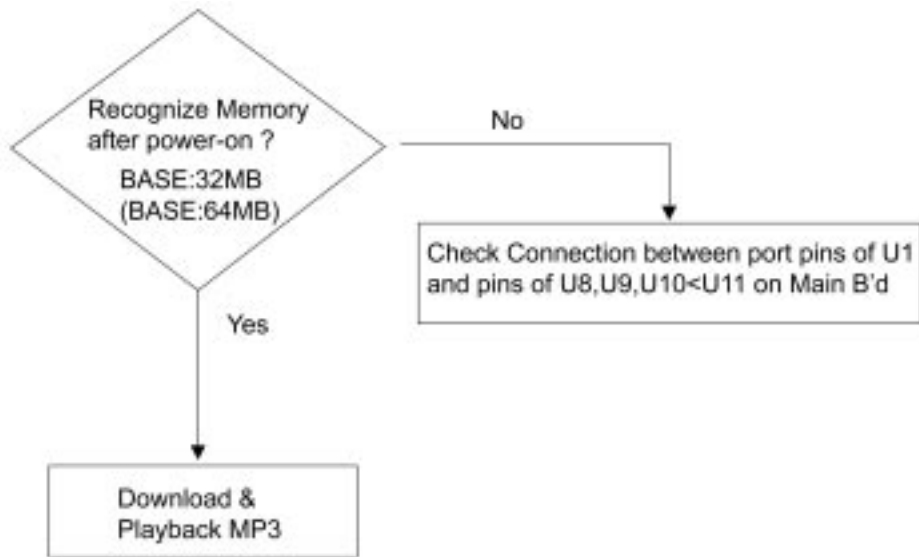
Symtoms	Possible Casuses	Check Points	Action
- Nothing displayed on LCD panel	- Open pattern between U2 pins	- Voltage on U2 pin15 Should be higher then 2.7 Volts	Replace
- Broken Characters or Missing icons	- Short circuit between U2 pins - Loose contact of heatseal	- Heatseal contact	LCD board
- Falulty control button - (Play,Stop,FF,Rew)	- Faulty tact switch - Open pattern to U2	- Mechanical parts - Open/Short test of switch	
- No voice recording	- Cold soldering on R14 - Faulty U3	- Power and Output of U3	

2-3. Troubleshooting

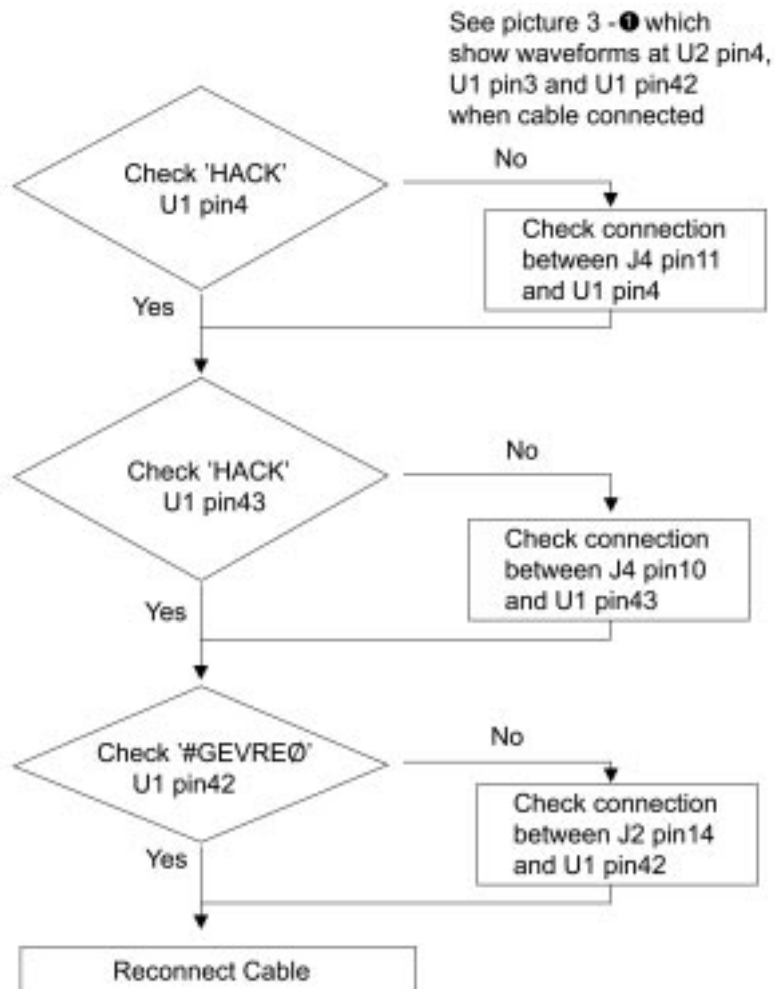
2-3-1. NO Display (Power on Start)



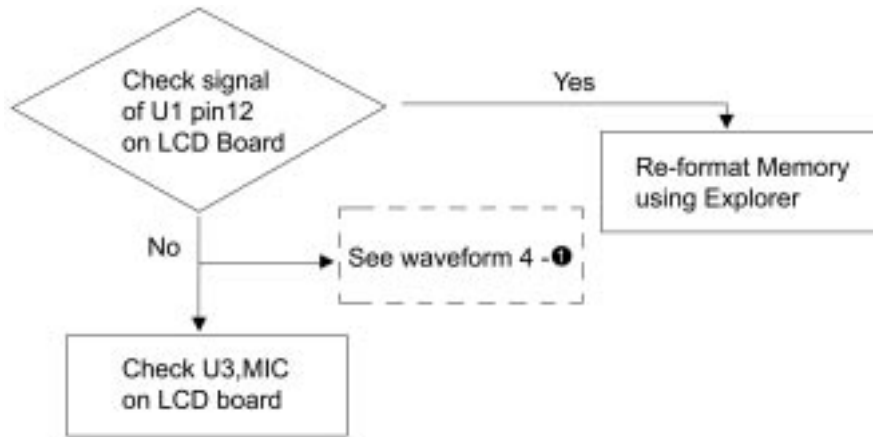
2-3-2. Display 'NO SONG'



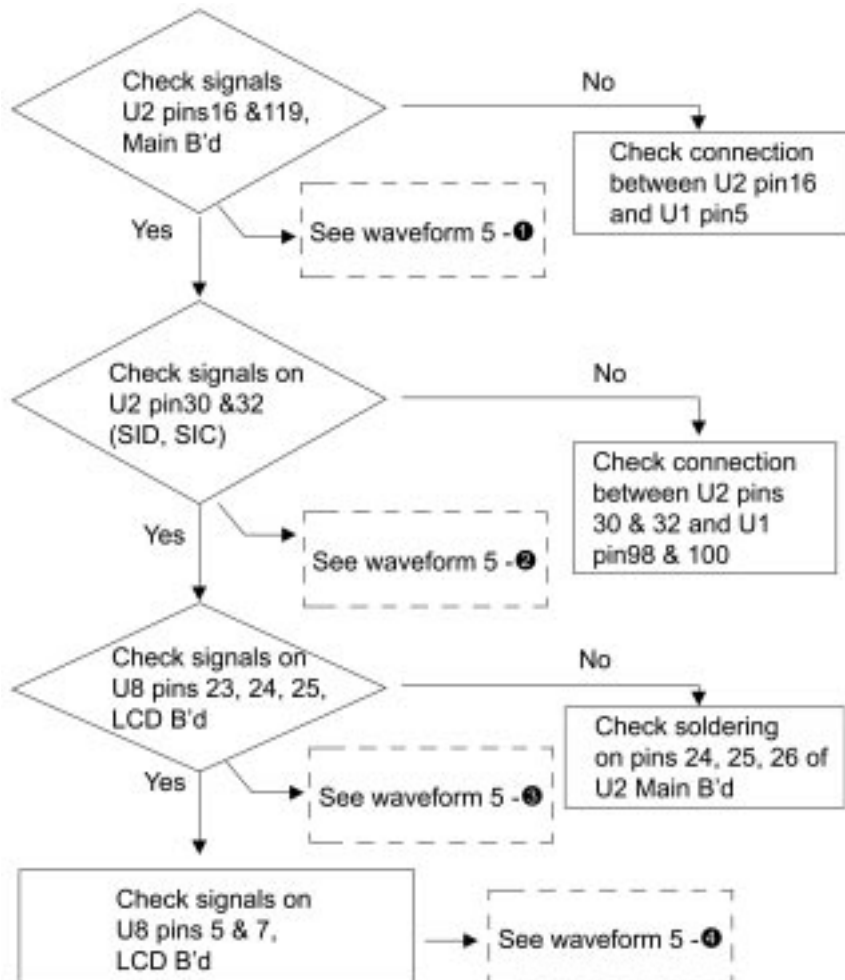
2-3-3. No 'CONNECT' message when cable connected



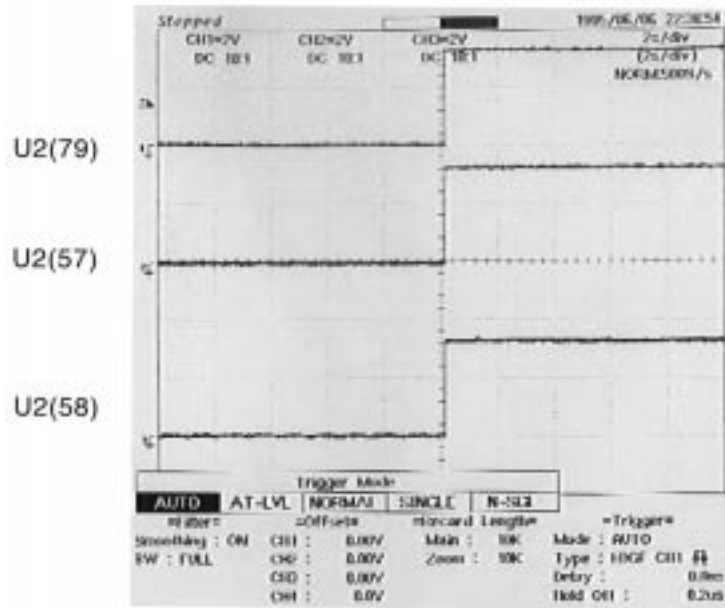
2-3-4. No voice Recording



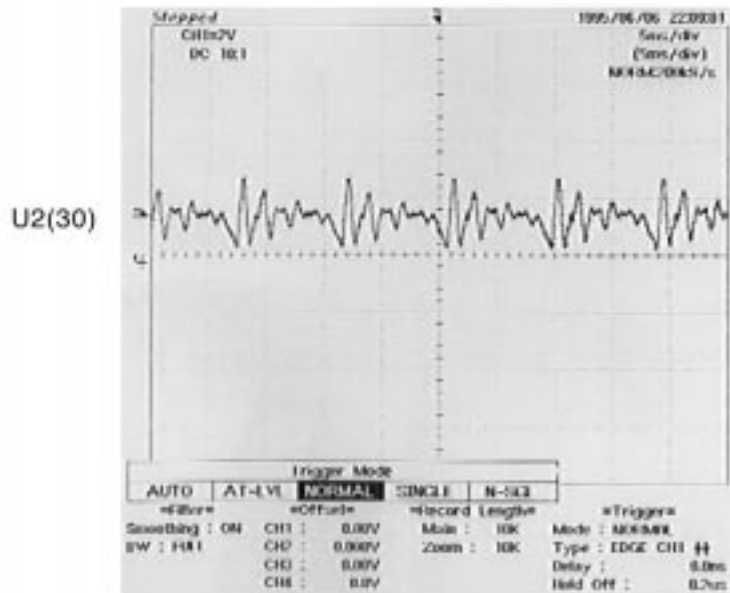
2-3-5. No playback



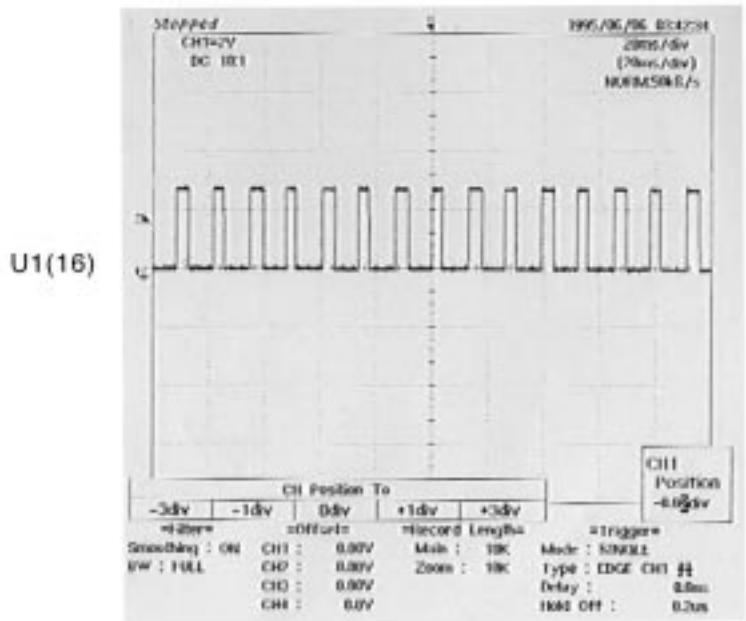
2-3-3-1. Wave Form



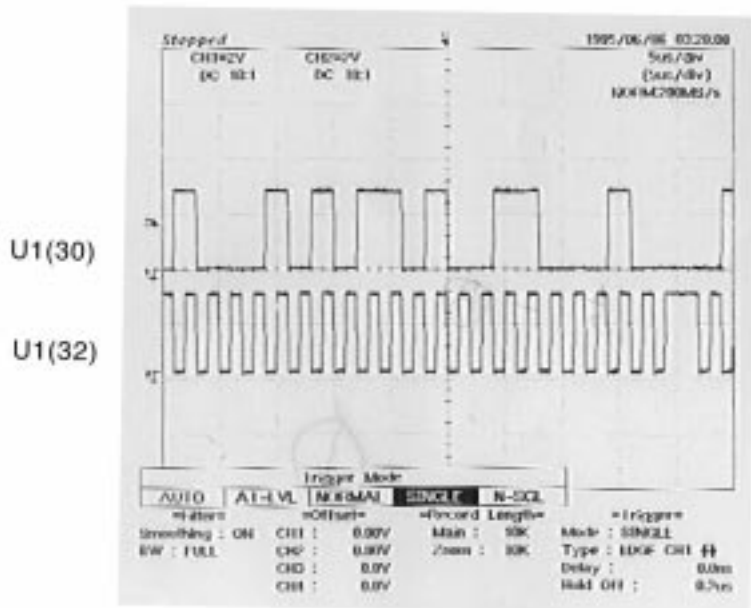
2-3-4-1. Wave form



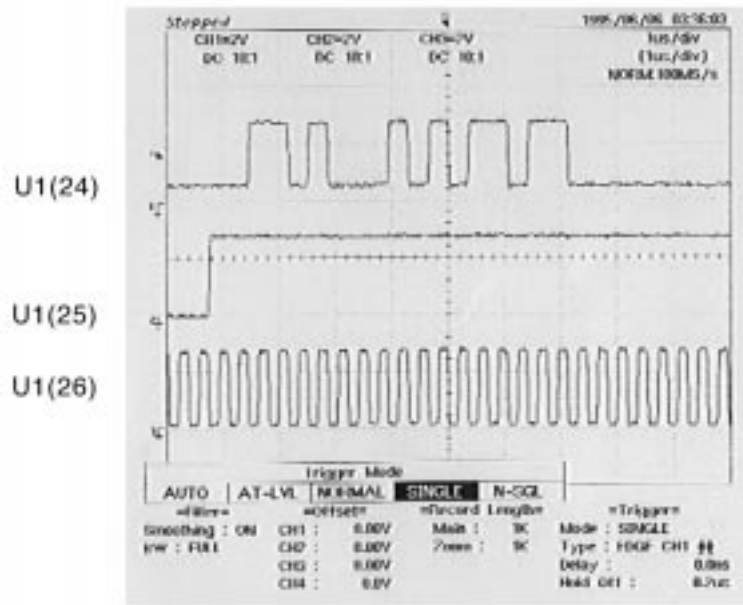
2-3-5-1. Wave Form



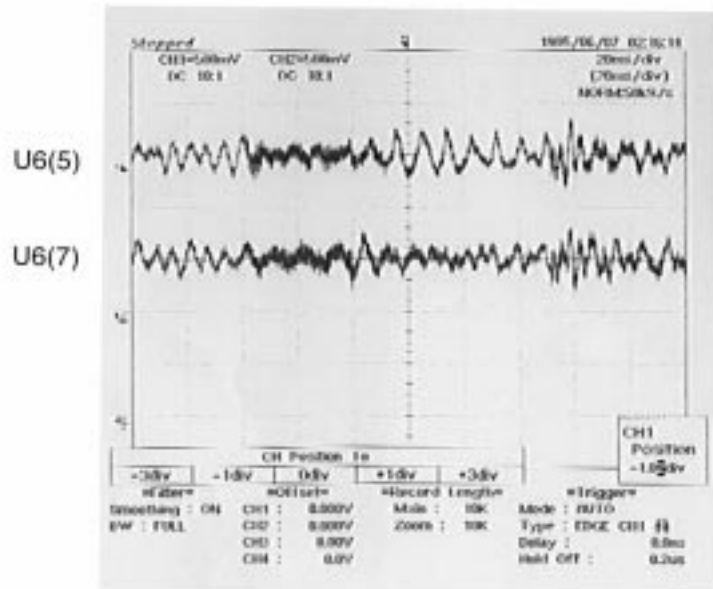
2-3-5-2. Wave form



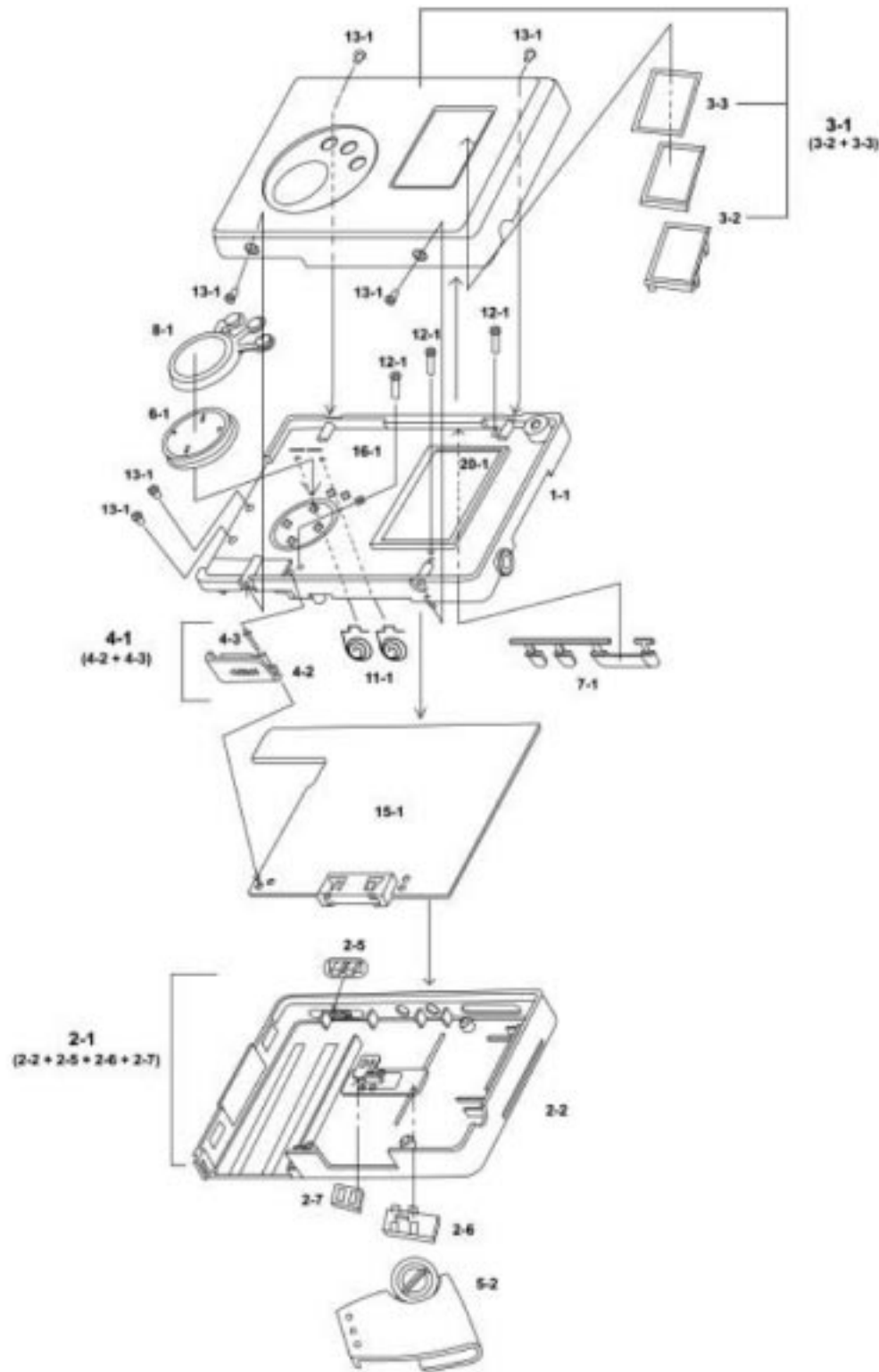
2-3-5-3. Wave Form



2-3-5-4. Wave form



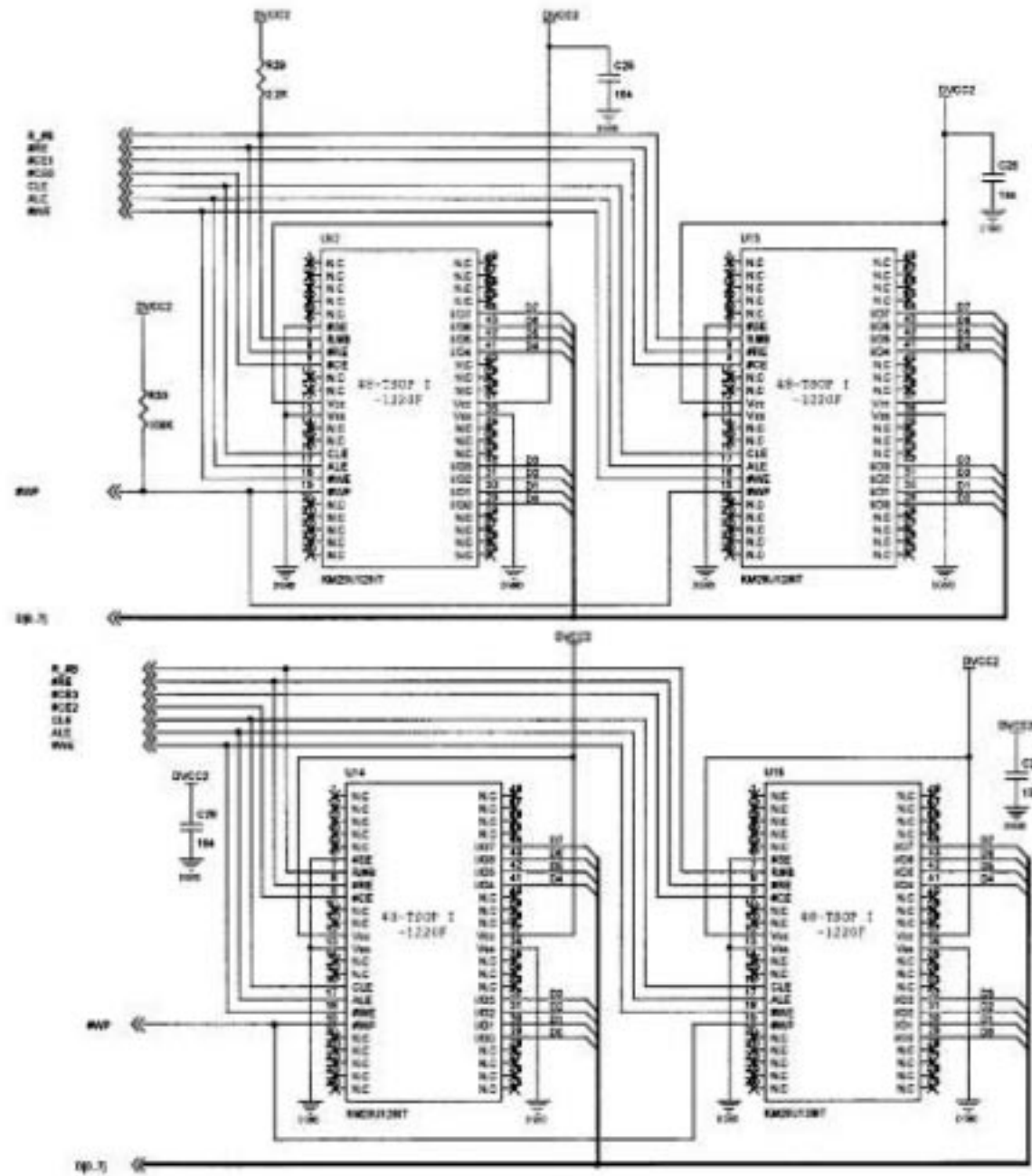
7. Exploded Views & Parts List



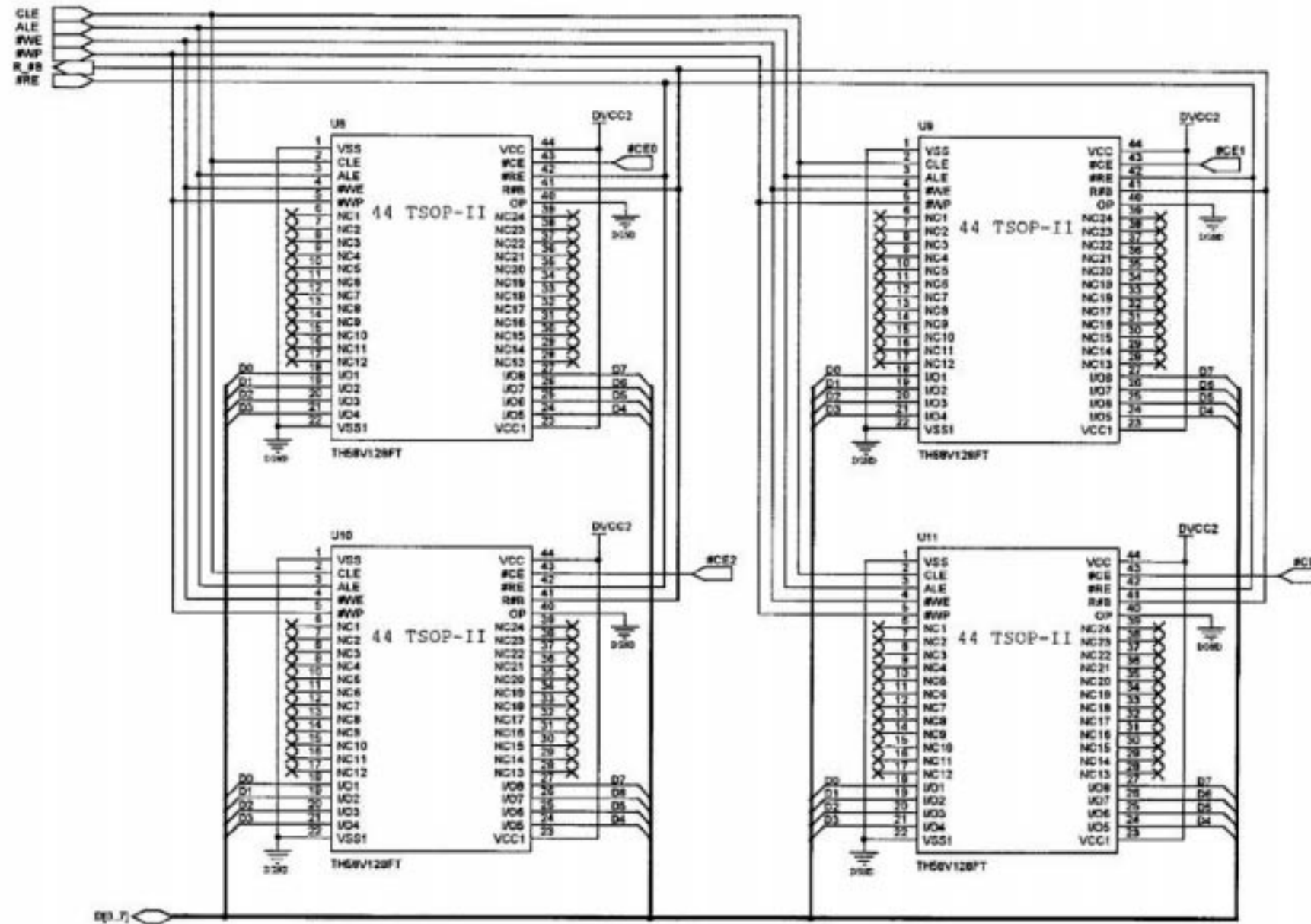
Part List

Reference	Level	Description	Specification	CODE No.	Remark
1	1	Chassis Main	ABS	AH81-00139A	
2	1	Case Bottom Ass'y	Silver, 32M	AH82-00046A	
			Gold, 32M	AH82-00047A	
			Two Tone, 32M	AH82-00048A	
			Silver, 64M	AH82-00049A	
			Gold, 64M	AH82-00050A	
			Two Tone, 64M	AH82-00051A	
	2	Case Bottom	ABS(Spray, Print)	AH81-00155A	abs spary
3	Insert Inside	BSBM M1.7 TAP	AH81-00156A	bsbm m1.7	
4	Insert Outside	BSBM M3 TAP	AH81-00157A		
5	Knob Hold	ABS(Cr, Coating)	AH81-00161A		
6	Knob Eject	ABS(Spray)	AH81-00162A		
7	Knob Lock	ABS(Spray)	AH81-00163A		
3	1	Case Top Ass'y	Silver(Anodizing)	AH82-00043A	
			Gold(Anodizing)	AH82-00044A	
			Two Tone(Anodizing)	AH82-00045A	
2	Window LCD	PMMA	AH81-00158A		
3	Double-sided Tape	TESA	AH81-00172A		
4	1	Cover Battery Ass'y	Silver	AH82-00040A	
			Gold	AH82-00039A	
			Two Tone	AH82-00052A	
2	BRKT Battery	PBS T0.4	AH81-00168A		
3	Pin Battery	BSBM Φ1.4	AH81-00170A		
5	1	Belt Clip Ass'y	Silver	AH82-00053A	
			Gold	AH82-00054A	
			Two Tone	AH82-00055A	
			2	Belt Clip	ABS(Spray)
3	Screw Special	BSBM M3	AH81-00165A		
4	Stopper Ring	PVC	AH81-00166A		
6	1	Knob Control	ABS(Cr, Coating)	AH81-00136A	
7	1	Knob 4	ABS(Cr, Coating)	AH81-00137A	
8	1	Knob 3	ABS(Cr, Coating)	AH81-00138A	
9	1	BRKT LCDHTN	SUS T0.2	AH81-00169A	ENGLISH
10	1	BRKT LCDFSTN	SUS T0.2	AH81-00250A	CHINA
11	1	Spring Battery	SWPB Φ0.5 Au Plating	AH81-00171A	
12	1	Screw Machine	PH1.7*11.0 Ni	AH81-00173A	
13	1	Screw Taptite4	PH1.4*4.0 Ni	AH81-00174A	
14	1	Screw Taptite2	PH1.4*3.0 Ni	AH81-00175A	
15	1	MAIN B'D	E32P (32MB)	AH82-00065A	
			E64P (64MB)	AH82-00066A	
16	1	LCD B'D	E32P/E64P, ENGLISH	AH82-00067A	
			E32P/E64P, CHINA	AH82-00059A	
			E32P/E64P, JAPAN	AH82-00061A	
17	1	Headphone		AH81-00116A	
18	1	Earphone		AH81-00135A	
19	1	Communication Cable		AH81-00273A	
20	1	LCD Module	ENGLISH	AH82-00062A	
			CHINA	AH82-00063A	
21	1	User's Manual	ENGLISH	AH81-00270A	
			CHINA	AH81-00271A	
			EUROPE	AH81-00274A	

• Flash Memory •

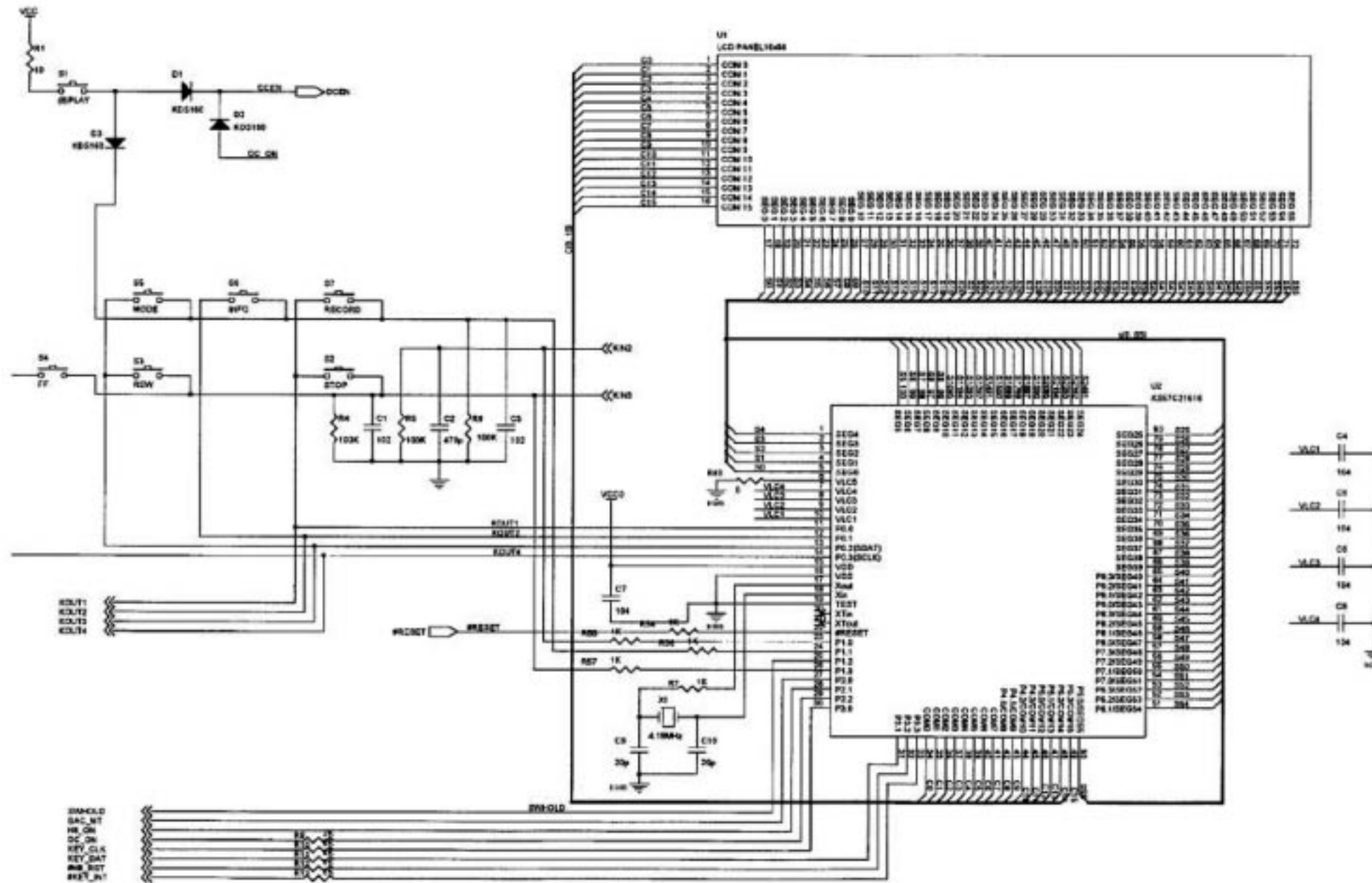


- Spare Memory •

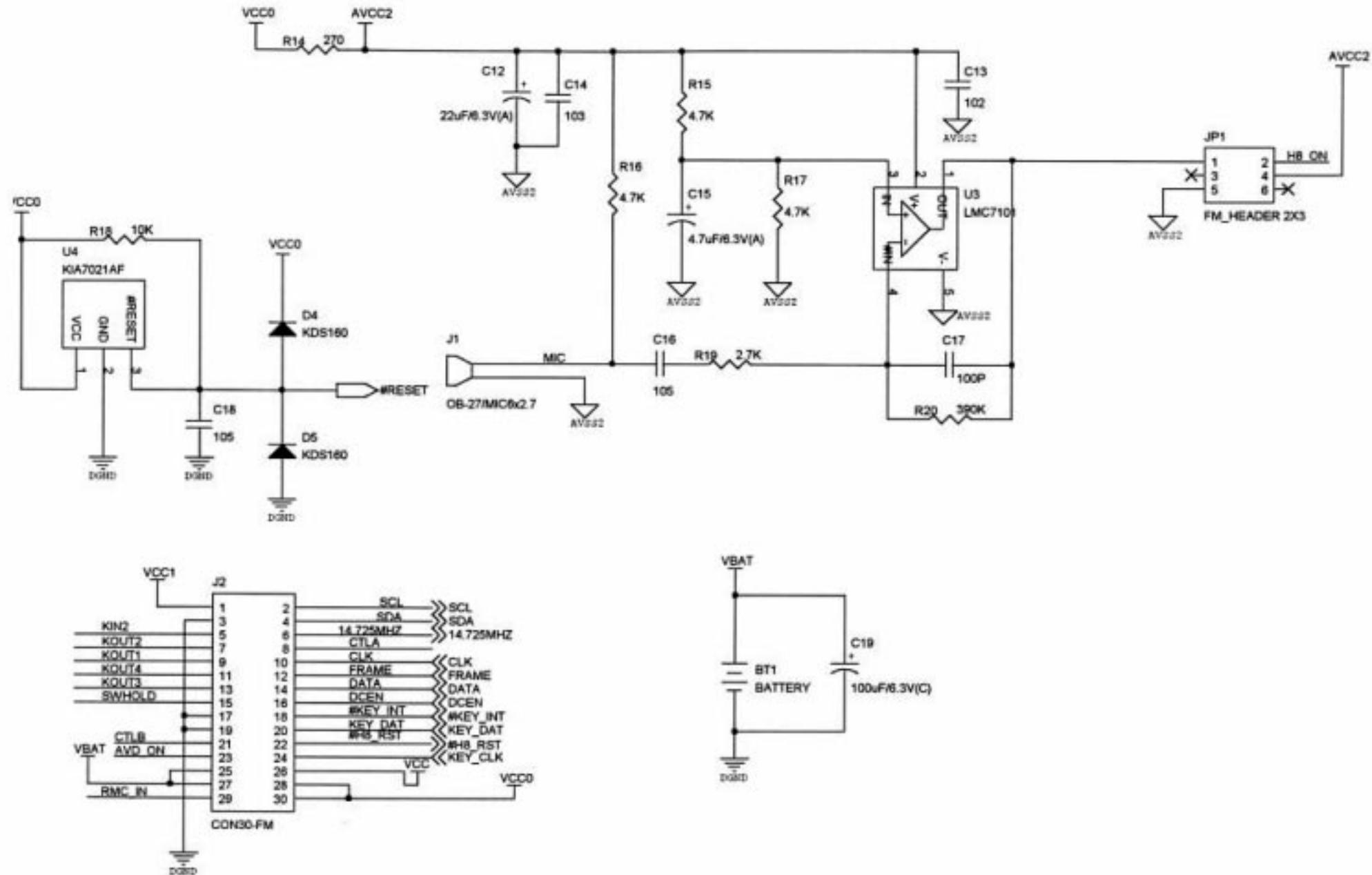


5-2 LCD Board

- Key Input & LCD Display •



• Audio Preamp / Connector •



• DAC •

