

JVC AV-N29F45/S SERVICE MANUAL



Table of Contents

[Table of Contents](#)

[PRECAUTION](#)

[SPECIFIC SERVICE INSTRUCTIONS](#)

[DISASSEMBLY](#)

[ADJUSTMENT](#)

[main pwb](#)

[TROUBLESHOOTING](#)

[standard circuit diagram](#)

[MAIN PWB CIRCUIT DIAGRAM](#)

[AV SELECTOR PWB CIRCUIT DIAGRAM](#)

[CRT SOCKET PWB CIRCUIT DIAGRAM](#)

[FRONT CONTROL PWB CIRCUIT DIAGRAM](#)

[LED & POWER SW PWB CIRCUIT DIAGRAM](#)

[MAIN PWB PATTERN](#)

[AV SELECTOR PWB PATTERN](#)

[CRT SOCKET PWB PATTERN](#)

[FRONT CONTROL PWB PATTERN](#)

[LED & POWER SW PWB PATTERN](#)

[parts list](#)

[EXPLODED VIEW PARTS LIST -1](#)

[EXPLODED VIEW -1](#)

[EXPLODED VIEW PARTS LIST -2](#)

[EXPLODED VIEW -2](#)

[MAIN P.W. BOARD ASS'Y \(SGJ-1561A-M2\)](#)

[CRT SOCKET P.W. BOARD ASS'Y \(SGJ-3511A-M2\)](#)

[AV SELECTOR P.W. BOARD ASS'Y \(SGJ-5506A-M2\)](#)

[FRONT CONTROL P.W. BOARD ASS'Y \(SGJ-6506A-M2\)](#)

[LED & POWER SW P.W. BOARD ASS'Y \(SGJ-7506A-M2\)](#)

[MAIN P.W. BOARD ASS'Y \(SGJ-1562A-M2\)](#)

[CRT SOCKET P.W. BOARD ASS'Y \(SGJ-3512A-M2\)](#)

[AV SELECTOR P.W. BOARD ASS'Y \(SGJ-5506A-M2\)](#)

[FRONT CONTROL P.W. BOARD ASS'Y \(SGJ-6506A-M2\)](#)

[LED & POWER SW P.W. BOARD ASS'Y \(SGJ-7506A-M2\)](#)

[REMOTE CONTROL UNIT PARTS LIST \(RM-C1258G-1H\)](#)

[PACKING](#)

[PACKING PARTS LIST](#)

[Other ManualsLib Projects](#)

JVC

SERVICE MANUAL

COLOR TELEVISION

AV-N29F45/s, AV-N29F45/z

BASIC CHASSIS

GJ4

BBE



TABLE OF CONTENTS

1	PRECAUTION.....	1-3
2	SPECIFIC SERVICE INSTRUCTIONS.....	1-4
3	DISASSEMBLY	1-6
4	ADJUSTMENT	1-11
5	TROUBLESHOOTING	1-27

SPECIFICATION

Items		Contents
Dimensions (W × H × D)		82.9 cm × 59.3 cm × 51.9cm
Mass		43.0kg
TV RF System		CCIR (M)
Color System		NTSC
Sound System		BTSC (Multi Channel Sound)
TV Receiving Channels and Frequency	VHF low VHF high UHF CATV	02ch~06ch : 54MHz~88MHz 07ch~13ch : 174MHz~216MHz 14ch~69ch : 470MHz~806MHz 54MHz~804MHz Low Band : 02~06, A-8 by 02~06&01 High Band : 07~13 by 07~13 Mid Band : A~I by 14~22 Super Band : J~W by 23~36 Hyper Band : W+1~W+28 by 37~64 Ultra Band : W+29~W+84 by 65~125 Sub Mid Band : A8, A4~A1 by 01, 96~99
TV / CATV Total Channel		180 Channels
Intermediate Frequency	Video IF Sound IF	45.75 MHz 41.25 MHz (4.5MHz)
Color Sub Carrier		3.58 MHz
Power Input		AC120V, 60Hz
Power Consumption		140W
Picture Tube (Visible size)		68cm Measured diagonally (H : 41.8cm × W : 54.4cm)
High Voltage		30.0kV ±1.3kV [at Zero beam current]
Speaker		6.5cm × 13cm, Oval type × 2
Audio Power Output		9W + 9W
Antenna Terminal (VHF / UHF)		F-type connector, 75 Ω unbalanced
Video / Audio input Input-1/2/3	Component Video [Input-2] S-video [Input-1] Video Audio	RCA pin jack × 3 Y : 1V(p-p), negative sync, 75 Ω Pb/Pr : 0.7V(p-p), 75 Ω Mini DIN 4-pin × 1 Y : 1V(p-p), negative sync, 75 Ω C : 0.286V(p-p)(burst signal), 75 Ω 1V(p-p), negative sync, 75 Ω, RCA pin jack × 3 500mV(rms)(-4dBs), high impedance, RCA pin jack × 6
Audio Output (Fix)		500mV(rms)(-4dBs), low Impedance, (400kHz when modulated 100%), RCA pin jack × 2
Remote Control Unit		RM-C1258G (AA/R6/UM-3 battery × 2)

Design & specifications are subject to change without notice.

SECTION 1 PRECAUTION

1.1 SAFETY PRECAUTIONS

- (1) The design of this product contains special hardware, many circuits and components specially for safety purposes. For continued protection, no changes should be made to the original design unless authorized in writing by the manufacturer. Replacement parts must be identical to those used in the original circuits. Service should be performed by qualified personnel only.
- (2) Alterations of the design or circuitry of the products should not be made. Any design alterations or additions will void the manufacturer's warranty and will further relieve the manufacturer of responsibility for personal injury or property damage resulting therefrom.
- (3) Many electrical and mechanical parts in the products have special safety-related characteristics. These characteristics are often not evident from visual inspection nor can the protection afforded by them necessarily be obtained by using replacement components rated for higher voltage, wattage, etc. Replacement parts which have these special safety characteristics are identified in the parts list of Service manual. **Electrical components having such features are identified by shading on the schematics and by (Δ) on the parts list in Service manual.** The use of a substitute replacement which does not have the same safety characteristics as the recommended replacement part shown in the parts list of Service manual may cause shock, fire, or other hazards.
- (4) **Don't short between the LIVE side ground and ISOLATED (NEUTRAL) side ground or EARTH side ground when repairing.**
Some model's power circuit is partly different in the GND. The difference of the GND is shown by the LIVE : (\perp) side GND, the ISOLATED (NEUTRAL) : (\perp) side GND and EARTH : (\oplus) side GND.
Don't short between the LIVE side GND and ISOLATED (NEUTRAL) side GND or EARTH side GND and never measure the LIVE side GND and ISOLATED (NEUTRAL) side GND or EARTH side GND at the same time with a measuring apparatus (oscilloscope etc.). If above note will not be kept, a fuse or any parts will be broken.
- (5) If any repair has been made to the chassis, it is recommended that the PDP voltage setting should be checked or adjusted.
- (6) When service is required, observe the original lead dress. Extra precaution should be given to assure correct lead dress in the high voltage circuit area. Where a short circuit has occurred, those components that indicate evidence of overheating should be replaced. Always use the manufacturer's replacement components.

(7) Isolation Check (Safety for Electrical Shock Hazard)

After re-assembling the product, always perform an isolation check on the exposed metal parts of the cabinet (antenna terminals, video/audio input and output terminals, Control knobs, metal cabinet, screw heads, earphone jack, control shafts, etc.) to be sure the product is safe to operate without danger of electrical shock.

a) Dielectric Strength Test

The isolation between the AC primary circuit and all metal parts exposed to the user, particularly any exposed metal part having a return path to the chassis should withstand a voltage of 3000V AC (r.m.s.) for a period of one second. (. . . Withstand a voltage of 1100V AC (r.m.s.) to an appliance rated up to 120V, and 3000V AC (r.m.s.) to an appliance rated 200V or more, for a period of one second.) This method of test requires a test equipment not generally found in the service trade.

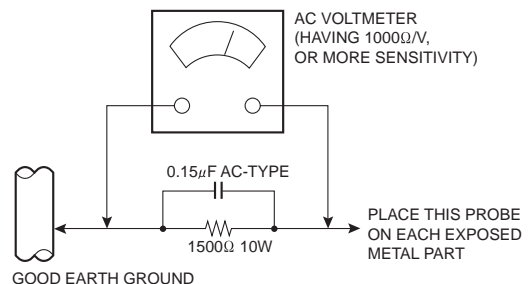
b) Leakage Current Check

Plug the AC line cord directly into the AC outlet (do not use a line isolation transformer during this check.). Using a "Leakage Current Tester", measure the leakage current from each exposed metal part of the cabinet, particularly any exposed metal part having a return path to the chassis, to a known good earth ground (water pipe, etc.). Any leakage current must not exceed 0.5mA AC (r.m.s.). However, in tropical area, this must not exceed 0.2mA AC (r.m.s.).

Alternate Check Method

Plug the AC line cord directly into the AC outlet (do not use a line isolation transformer during this check.). Use an AC voltmeter having 1000 Ω per volt or more sensitivity in the following manner. Connect a 1500 Ω 10W resistor paralleled by a 0.15 μ F AC-type capacitor between an exposed metal part and a known good earth ground (water pipe, etc.). Measure the AC voltage across the resistor with the AC voltmeter. Move the resistor connection to each exposed metal part, particularly any exposed metal part having a return path to the chassis, and measure the AC voltage across the resistor. Now, reverse the plug in the AC outlet and repeat each measurement. Any voltage measured must not exceed 0.75V AC (r.m.s.). This corresponds to 0.5mA AC (r.m.s.).

However, in tropical area, this must not exceed 0.3V AC (r.m.s.). This corresponds to 0.2mA AC (r.m.s.).



SECTION 2 SPECIFIC SERVICE INSTRUCTIONS

2.1 FEATURES

SMART CAPTION

Smart caption will appear when you press the MUTING button, only on channels where the broadcast contains CLOSED CAPTION information.

SMART SOUND

Decreases high sound levels, giving a regulated sound level.

FLAT SQUARE CRT

It became legible from any position by CRT with few reflection and reflect lumps on the flat screen.

DIGITAL COMB FILTER

By the 3 line digital comb filter, the refreshed image can be seen.

VIDEO STATUS

Expression of a favorite screen can be chosen by the VIDEO STATUS function.

[STANDARD ↔ DYNAMIC ↔ THEATER ↔ GAME]

COMPONENT INPUT

Since the component signal input terminal is equipped, it reappears direct without deteriorating the signal from DVD.

MTS STEREO

The voice multiplex function of the MTS system is built in. (MTS = Multi channel Television Sound system)

RETURN PLUS

You program a specific channel to return to while scanning through the channels using the CH+ and CH - keys.

VIDEO INPUT LABEL

This function is used to label video input connections for the onscreen displays.

BBE

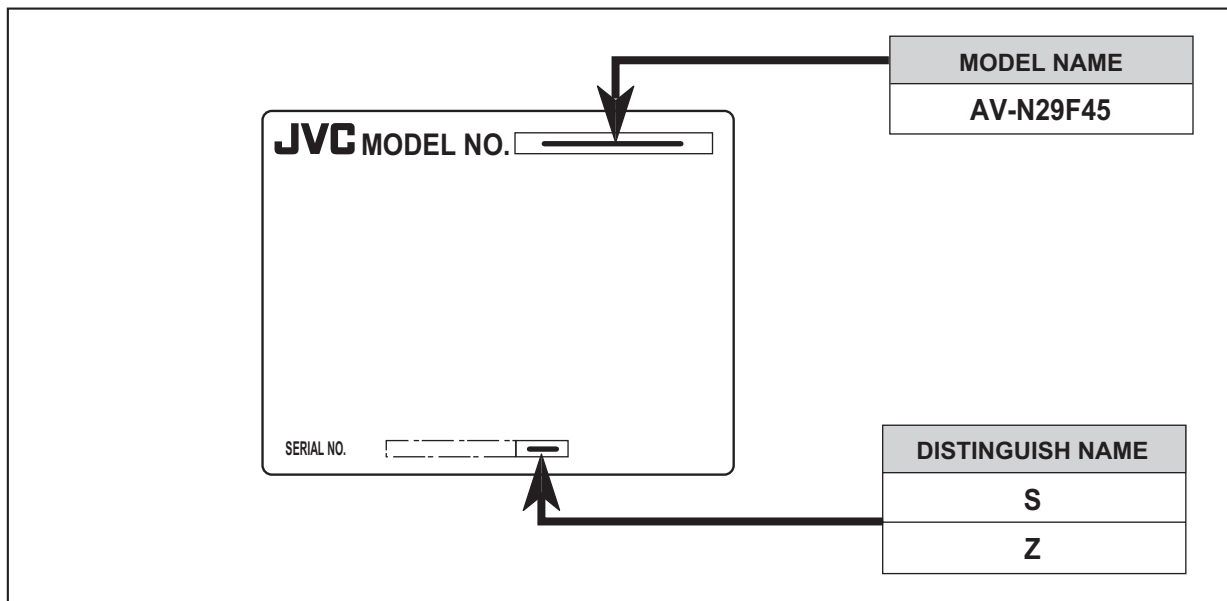
High definition audio adds natural, clear and extraordinary sound quality to any program.

A.H.S.

Adds a more spacious surround sound. Music gives basic effect and Movie for more effect.

2.2 HOW TO IDENTIFY MODELS

How to recognize from the appearance of the model concerned is written below. Please distinguish from several contents currently printed on the rating label



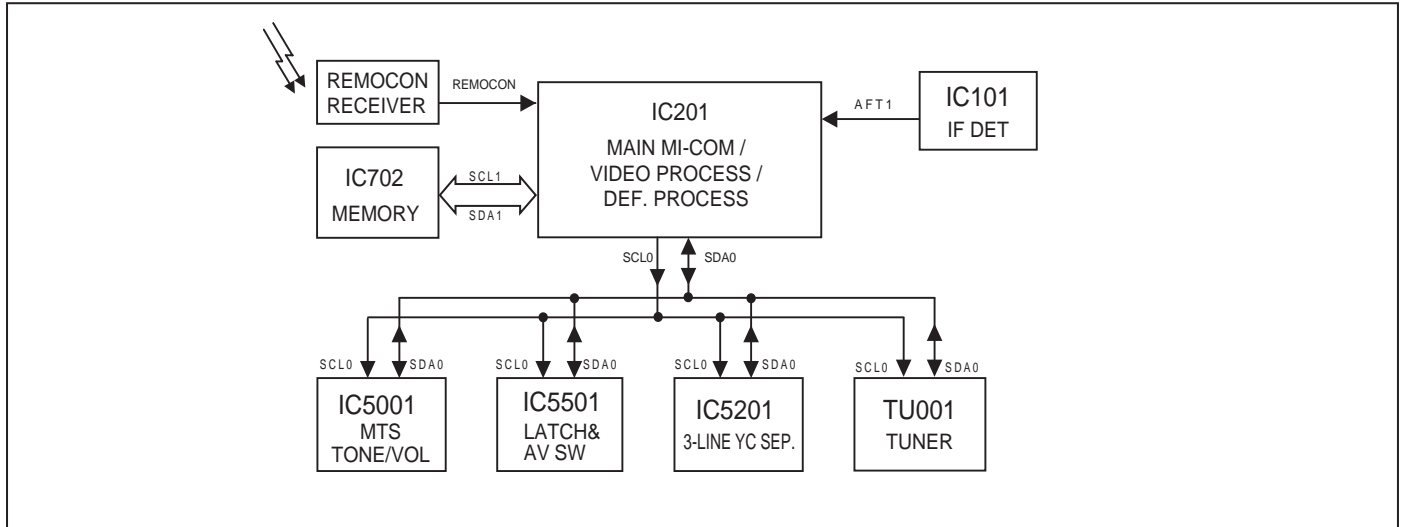
2.3 MAIN DIFFERENCE LIST

The difference between S model and Z model are in the PICTURE TUBE.

Item	AV-N29F45/S	AV-N29F45/Z
PICTURE TUBE (ITC)	A68QCP693X002	A68QCU770X78Q

2.4 TECHNICAL INFORMATION

2.4.1 SYSTEM BLOCK DIAGRAM



2.4.2 MAIN MI-COM (CPU) PIN FUNCTION

Pin No.	Pin name	I/O	Function	Pin No.	Pin name	I/O	Function
1	MTS_ADJ	I	Not used	29	YC_GND	-	GND
2	AFT1	I	AFT voltage for tuner (Tuning frequency control)	30	V1_IN	I	Not used
3	KEY	I	Key scan for front control [No signal : H]	31	ABCL	I	Current for automatic beam (brightness)/contrast limit
4	uP_DVss	-	GND	32	MONITOR_OUT	O	Not used
5	Reset	I	CPU reset	33	BLACK_DET	-	Black level detection filter
6	8MHz_OUT	O	CPU system clock : 8MHz oscillation	34	SVM_OUT	O	Y signal for velocity scan modulation
7	8MHz_IN	I	CPU system clock : 8MHz oscillation	35	APL_FIL	-	Average picture level filter
8	TEST	-	GND	36	APC_FIL	-	Automatic phase control filter
9	uP_DVDD	-	5V	37	fsc_OUT	O	Color sub carrier (3.58MHz) for 3-line digital comb filter [IC5201]
10	AGC_MUTE	O	AGC muting for tuner (when channel select) [Muting : H]	38	YC_Vcc	-	5V (for video process circuit)
11	uP_VVSS	-	GND	39	R_OUT	O	R signal
12	TV_HGND	-	GND	40	G_OUT	O	G signal
13	FBP_SCP	I	Flyback pulse (H. pulse)	41	B_OUT	O	B signal
14	HOUT	O	H. drive (oscillation)	42	RGB_Vcc	-	9V (for RGB process circuit)
15	H_Vcc	-	9V (for H. oscillation start)	43	IK_IN	I	Not used
16	HAFC_1	-	H. AFC filter	44	TV_DGND	-	GND
17	Vsaw	-	V. saw filter	45	uP_AGND	-	GND
18	VOUT	O	V. drive	46	uP_AVdd	-	5V
19	EW_OUT	O	Parabola waveform (for sidepin correction)	47	MAIN_POWER	O	Power on/off switching control [Powers on : L]
20	X-RAY	I	X-ray detection (for protection) [Detection : H]	48	PANORAMA	I	Not used
21	Ys	I	Not used	49	SDAO	I/O	Data for Inter IC control bus (for various devices)
22	Cb_IN	I	Cb (external) signal	50	SCLO	O	Clock for Inter IC control bus (for various devices)
23	Y_IN	I	Y (external) signal	51	SDA1	I/O	Data for Inter IC control bus (for main memory)
24	Cr_IN	I	Cr (external) signal	52	A_MUTING	O	Audio muting [Muting : H]
25	TV_DVcc	-	3.3V	53	SCL1	O	Clock for Inter IC control bus (for main memory)
26	V3IN/CIN	I	Chroma signal (for YC separation output)	54	LED	O	POWER / ON TIMER LED Indication [lighting : L]
27	EHT_IN	I	Not used	55	REMOCON	I	Remote control sensor input [No input : H]
28	V2_IN/Y_IN	I	Y signal (for YC separation output)	56	ASP_ABL	I	Not used

SECTION 3

DISASSEMBLY

3.1 DISASSEMBLY PROCEDURE

3.1.1 REMOVING THE REAR COVER

- (1) Disconnect the power plug.
- (2) Remove the 11 screws [A].
- (3) Withdraw the REAR COVER backward.

3.1.2 REMOVING THE AV TERMINAL BOARD

- Remove the REAR COVER.
 - (1) Remove the 5 screws [B].
 - (2) Withdraw the AV TERMINAL BOARD toward you.

3.1.3 REMOVING THE CHASSIS

- Remove the REAR COVER.
- Remove the AV TERMINAL BOARD.
 - (1) Slightly raise the both sides of CHASSIS by hand.
 - (2) Remove the 2 claws under the both side of the CHASSIS from the front cabinet.
 - (3) Withdraw the CHASSIS backward.
(If necessary, remove the wire clamp, connectors etc.)

3.1.4 REMOVING THE SPEAKER

- Remove the REAR COVER.
 - (1) Remove the 2 screws [C].
 - (2) Remove the 2 screws [D] and remove the SPEAKER.
 - (3) Follow the same steps when removing the other hand SPEAKER.

NOTE :

When remove the 2 screws [C] of the SPEAKER, remove the lower side screw first, and then remove the upper one.

3.1.5 REMOVING THE LED & POWER SW PWB

- Remove the REAR COVER.
 - (1) Remove the 2 screws [E].
 - (2) Withdraw the LED & POWER SW PWB toward you.

*If necessary, remove the wire clamp, connector etc.

3.1.6 REMOVING THE FRONT CONTROL PWB

- Remove the REAR COVER.
 - (1) Remove the 2 screws [F].
 - (2) Withdraw the FRONT CONTROL PWB toward you.

*If necessary, remove the wire clamp, connector etc.

3.1.7 CHECKING THE CHASSIS

To check the PW Board from back side.

- (1) Pull out the CHASSIS (refer to REMOVING THE CHASSIS).
- (2) Erect the CHASSIS vertically with the HVT side facing up so that you can easily check the back side of the PW board.

CAUTION :

- When erecting the CHASSIS, be careful so that there will be no contacting with other PW Board.
- Before turning on power, make sure that the wire connector is properly connected.
- **When conducting a check with power supplied, be sure to confirm that the CRT EARTH WIRE (BRAIDED ASS'Y) is connected to the CRT SOCKET PWB.**

3.1.8 WIRE CLAMPING AND CABLE TYING

- (1) Be sure to clamp the wire.
- (2) Never remove the cable tie used for tying the wires together. Should it be inadvertently removed, be sure to tie the wires with a new cable tie.

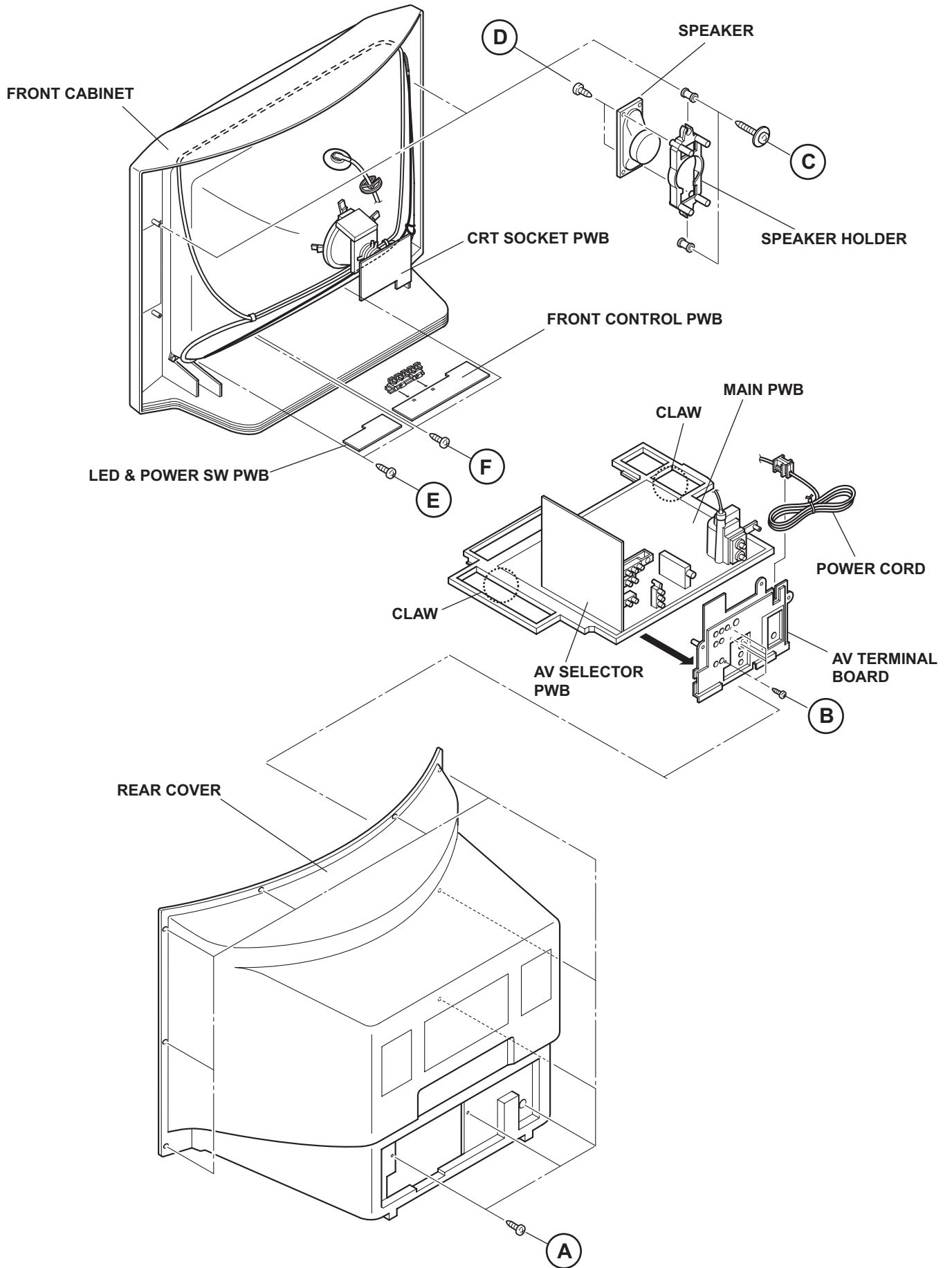


Fig.1

3.2 MEMORY IC REPLACEMENT

- This model uses the memory IC.
- This memory IC stores data for proper operation of the video and drive circuits.
- When replacing, be sure to use an IC containing this (initial value) data.

3.2.1 MEMORY IC REPLACEMENT PROCEDURE

1. Power off

Switch off the power and disconnect the power cord from the wall outlet.

2. Replace the memory IC

Be sure to use a memory IC written with the initial setting data.

3. Power on

Connect the power cord to the wall outlet and switch on the power.

4. Receiving channel setting

Refer to the OPERATING INSTRUCTIONS (USER'S GUIDE) and set the receive channels (Channels Preset) as described.

5. User settings

Check the user setting items according to the "FACTORY SETTING ITEM" table.

Where these do not agree, refer to the OPERATING INSTRUCTIONS (USER'S GUIDE) and set the items as described.

6. SERVICE MODE setting

Verify what to set in the SERVICE MODE, and set whatever is necessary(Fig.1) .

Refer to the SERVICE ADJUSTMENT for setting.

3.2.2 SERVICE MODE SETTING ITEMS

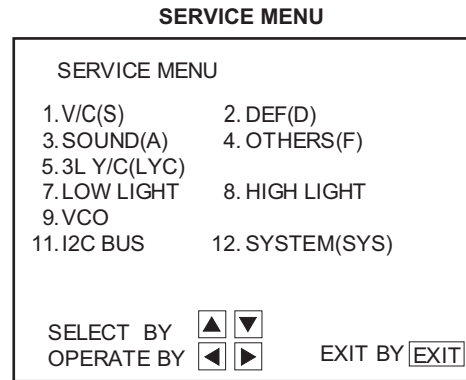


Fig.1

Setting items	Settings	Item No.
1. V/C (Video setting)	Adjust	S01~S48
2. DEF (Deflection setting)	Adjust	D01~D33
3. SOUND(A) (Audio setting)	Adjust	A01~A08
4. OTHERS [Do not adjust] (Factory setting)	Fixed	F01~F18
5. 3L Y/C [Do not adjust] (Y/C Separate setting)	Fixed	LYC01~LYC12
7. LOW LIGHT (White balance setting)	Adjust	---
8. HIGH LIGHT (White balance setting)	Adjust	---
9. VCO (VCO setting)	Adjust	---
11. I2C BUS [Do not adjust] (I ² C BUS setting)	Fixed	---
12. SYSTEM (SYS) (System constant setting)	Fixed	SYS01~SYS25

3.2.3 SETTINGS OF FACTORY SHIPMENT

3.2.3.1 BUTTON OPERATION

Setting item	Setting position
POWER	Off
CHANNEL	CH-02
VOLUME	10

3.2.3.2 REMOTE CONTROL DIRECT OPERATION

Setting item	Setting position	
INPUT	TV	
CHANNEL	CH-02	
VOLUME	10	
MUTING	OFF	
DISPLAY	OFF	
OFF TIMER	OFF	
THEATER PRO	OFF	
VIDEO STATUS	DYNAMIC	
ASPECT	4:3	
SOUND	A.H.S	OFF
	BBE	ON

3.2.3.3 REMOTE CONTROL MENU OPERATION

NOTE :

The whole screen is displayed in Spanish.

(1) PICTURE ADJUST

Setting item	Setting position
TINT	0
COLOR	0
PICTURE	+8
BRIGHT	0
DETAIL	+8
COLOR TEMPERATURE	HIGH
NOISE MUTING	ON
VSM	ON

(2) SOUND ADJUST

Setting item	Setting position
BASS	0
TREBLE	0
BALANCE	0
MTS	STEREO
SMART SOUND	OFF

(3) CLOCK / TIMERS

Setting item	Setting position
SET CLOCK	OFF
ON / OFF TIMER	OFF

(4) INITIAL SETUP

Setting item	Setting position
LANGUAGE	ESP.
CLOSED CAPTION	OFF
FRONT PANEL LOCK	OFF
AUTO SHUT OFF	OFF
VIDEO INPUT LABEL	Refer to OPERATING INSTRUCTIONS

3.3 REPLACEMENT OF CHIP COMPONENT

3.3.1 CAUTIONS

- (1) Avoid heating for more than 3 seconds.
- (2) Do not rub the electrodes and the resist parts of the pattern.
- (3) When removing a chip part, melt the solder adequately.
- (4) Do not reuse a chip part after removing it.

3.3.2 SOLDERING IRON

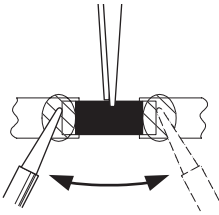
- (1) Use a high insulation soldering iron with a thin pointed end of it.
- (2) A 30w soldering iron is recommended for easily removing parts.

3.3.3 REPLACEMENT STEPS

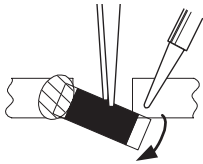
1. How to remove Chip parts

[Resistors, capacitors, etc.]

- (1) As shown in the figure, push the part with tweezers and alternately melt the solder at each end.



- (2) Shift with the tweezers and remove the chip part.

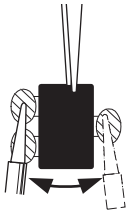


[Transistors, diodes, variable resistors, etc.]

- (1) Apply extra solder to each lead.



- (2) As shown in the figure, push the part with tweezers and alternately melt the solder at each lead. Shift and remove the chip part.



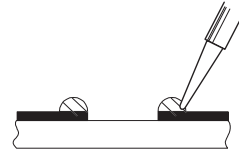
NOTE :

After removing the part, remove remaining solder from the pattern.

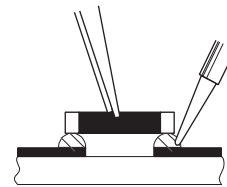
2. How to install Chip parts

[Resistors, capacitors, etc.]

- (1) Apply solder to the pattern as indicated in the figure.

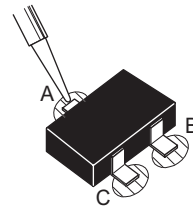


- (2) Grasp the chip part with tweezers and place it on the solder. Then heat and melt the solder at both ends of the chip part.

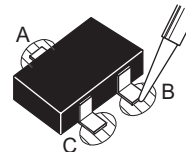


[Transistors, diodes, variable resistors, etc.]

- (1) Apply solder to the pattern as indicated in the figure.
- (2) Grasp the chip part with tweezers and place it on the solder.
- (3) First solder lead **A** as indicated in the figure.



- (4) Then solder leads **B** and **C**.



SECTION 4 ADJUSTMENT

4.1 ADJUSTMENT PREPARATION

- (1) There are 2 ways of adjusting this TV : One is with the REMOTE CONTROL UNIT and the other is the conventional method using adjustment parts and components.
- (2) The adjustment using the REMOTE CONTROL UNIT is made on the basis of the initial setting values. The setting values which adjust the screen to the optimum condition can be different from the initial setting values.
- (3) Make sure that connection is correctly made AC to AC power source.
- (4) Turn on the power of the TV and measuring instruments for warming up for at least 30 minutes before starting adjustments.
- (5) If the receive or input signal is not specified, use the most appropriate signal for adjustment.
- (6) Never touch the parts (such as variable resistors, transformers and condensers) not shown in the adjustment items of this service adjustment.

4.2 PRESET SETTING BEFORE ADJUSTMENTS

Unless otherwise specified in the adjustment items, preset the following functions with the REMOTE CONTROL UNIT.

Item	Preset value
VIDEO STATUS	STANDARD
TINT / COLOR / PICTURE / BRIGHT / DETAIL	0
COLOR TEMPERATURE	LOW
THEATER PRO	OFF
VSM	OFF
BASS / TREBLE / BALANCE	0
BBE	OFF
A.H.S	OFF
ASPECT	4:3

4.3 MEASURING INSTRUMENT AND FIXTURES

- DC voltmeter (or digital voltmeter)
- Oscilloscope
- Frequency counter
- Signal generator (Pattern generator) [NTSC]
- TV audio multiplex signal generator
- Remote control unit

4.4 ADJUSTMENT ITEMS

■CHECK ITEM

- B1 POWER SUPPLY check
- HIGH VOLTAGE HOLD DOWN check

■TUNER / IF CIRCUIT

- IF VCO adjustment

■FOCUS

- FOCUS adjustment

■DEFLECTION CIRCUIT

- V. SIZE / V. POSITION (4:3) adjustment
- V. SIZE / V. POSITION (16:9) adjustment
- H. POSITION / H. SIZE / SIDE PIN (4:3) / (16:9) adjustment

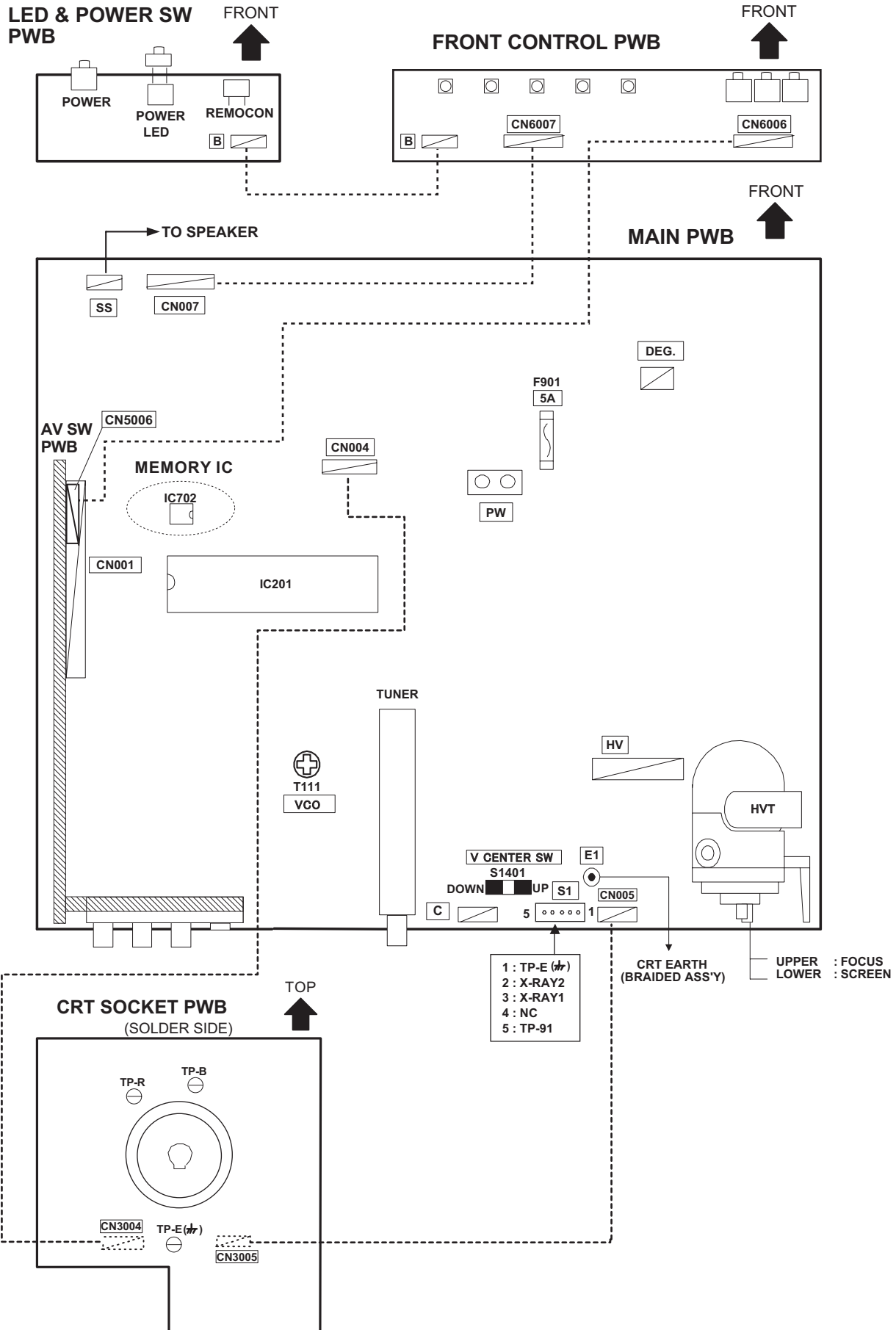
■VIDEO CIRCUIT

- WHITE BALANCE(High Light & Low Light) adjustment
- SUB BRIGHT adjustment
- SUB CONTRAST adjustment

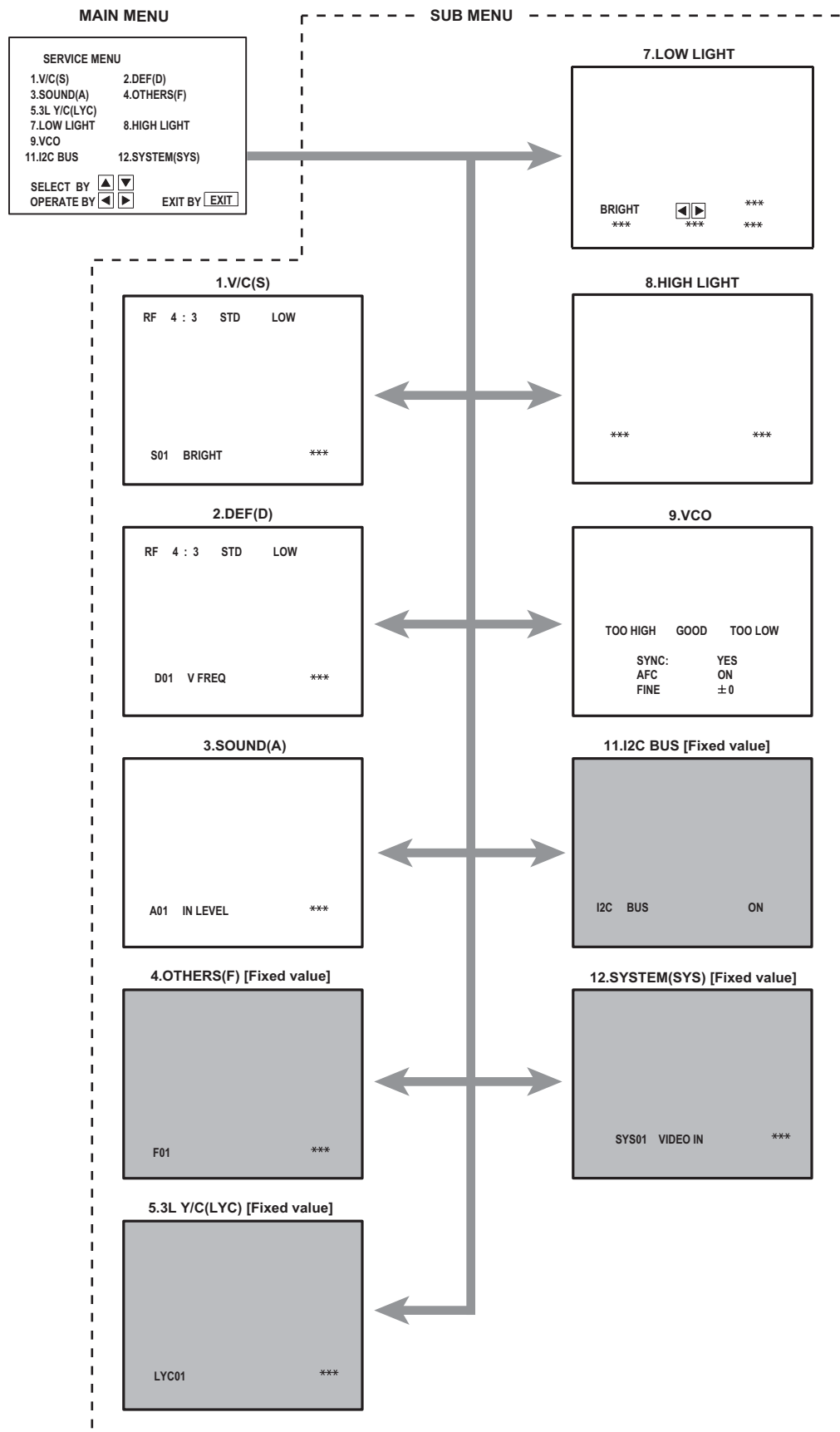
■MTS CIRCUIT

- MTS INPUT LEVEL adjustment
- MTS SEPARATION adjustment

4.5 ADJUSTMENT LOCATIONS / WIRING



4.6 BASIC OPERATION OF SERVICE MODE



4.6.1 TOOL OF SERVICE MODE OPERATION

Operate the SERVICE MODE with the REMOTE CONTROL UNIT.

4.6.2 SERVICE MODE ITEMS

In general, basic setting (adjustments) items or verifications are performed in the SERVICE MODE.

1. V/C (S)	This sets the setting values of the VIDEO circuit.
2. DEF (D)	This sets the setting values of the DEFLECTION circuit.
3. SOUND (A)	This sets the setting values of the AUDIO circuit.
4. OTHERS (F)	This sets the setting values of the factory settings. [Do not adjust]
6. 3L Y/C(LYC)	This sets the setting values of the 3 line YC separation control circuit. [Do not adjust]
7. LOW LIGHT	This sets the setting values of the WHITE BALANCE (LOW LIGHT) control circuit.
8. HIGH LIGHT	This sets the setting values of the WHITE BALANCE (HIGH LIGHT) control circuit.
9. VCO	This sets the setting values of the VCO control circuit.
11. I2C BUS	This sets the setting values of the I ² C BUS control circuit. [Do not adjust]
12. SYSTEM(SYS)	This sets the setting values of the system control circuit. [Do not adjust]

4.6.3 HOW TO ENTER THE SERVICE MODE

- (1) Set to 0 minutes using the [SLEEP TIMER] key.
- (2) Press the [VIDEO STATUS] key and [DISPLAY] key simultaneously, then enter the SERVICE MODE.

NOTE:

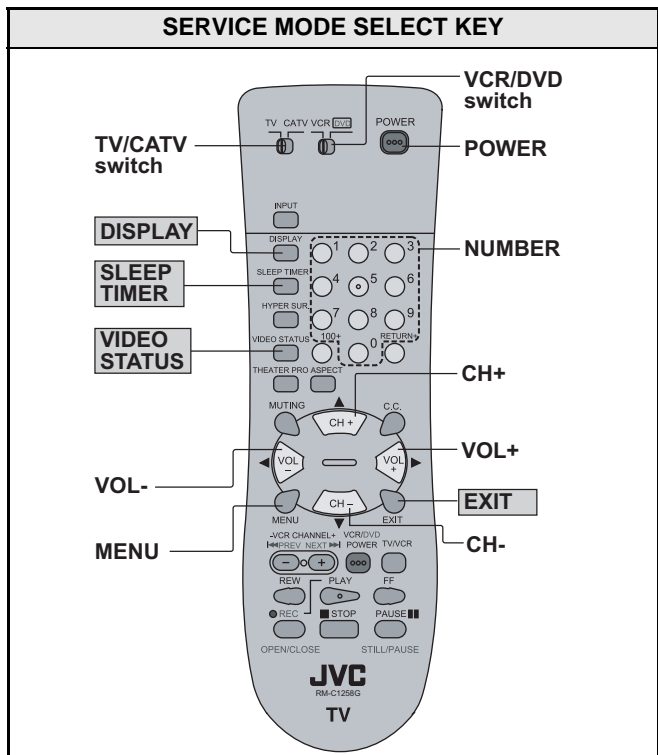
Before entering the SERVICE MODE, confirm that the setting of TV / CATV switch of the REMOTE CONTROL UNIT is at the "TV" side and the setting of VCR / DVD switch is at the "VCR" side. If the switches have not been properly set, you cannot enter the SERVICE MODE.

4.6.4 HOW TO STORE OF SETTING VALUE

The setting value will be stored automatically when release the REMOTE CONTROL UNIT keys

4.6.5 HOW TO EXIT THE SERVICE MODE

Press the [EXIT] key to exit the SERVICE MODE.



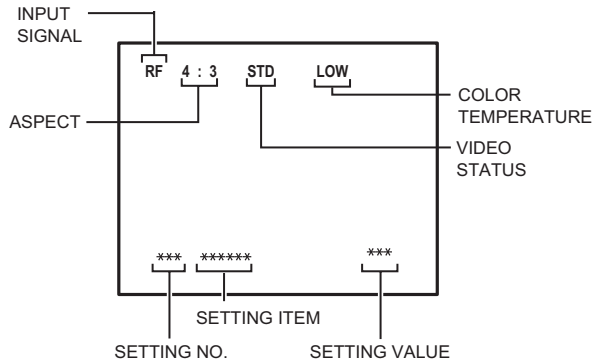
4.6.6 SERVICE MODE SETTING

1. VC, 2. DEF

- Press [CH+] / [CH-] key
For scrolling up/down the adjustment item.
- Press [VOL+] / [VOL-] key
For scrolling up/down the data values.

NOTE:

The setting value will be stored automatically when release the REMOTE CONTROL UNIT keys.



(1) INPUT SIGNAL

- RF : Antenna input
- COMP : External (component) input
- EXT : External (S / Composite) input

(2) ASPECT

- 4:3 : 4:3 screen mode
- 16:9 : 16:9 screen mode

(3) VIDEO STATUS

- STD : STANDARD
- THEA : THEATER

(4) COLOR TEMPERATURE

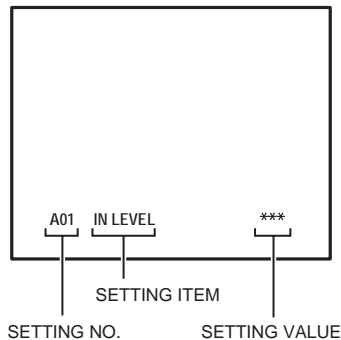
- HIGH : White balance high mode
- LOW : White balance low mode

3. SOUND (A)

- Press [CH+] / [CH-] key
For scrolling up/down the adjustment item.
- Press [VOL+] / [VOL-] key
For scrolling up/down the data values.

NOTE:

The setting value will be stored automatically when release the REMOTE CONTROL UNIT keys.

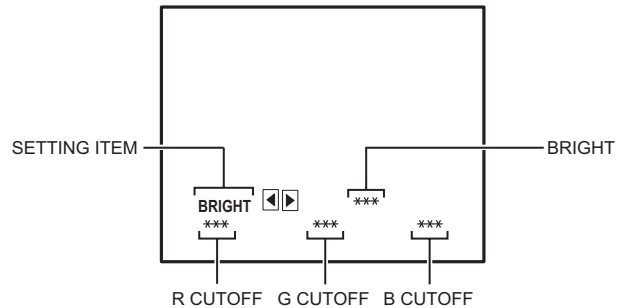


7. LOW LIGHT

The settings for LOW LIGHT is described in the WHITE BALANCE page of ADJUSTMENT PROCEDURE.

NOTE:

The setting value will be stored automatically when release the REMOTE CONTROL UNIT keys.

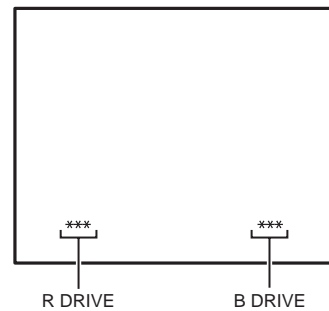


8. HIGH LIGHT

The settings for HIGH LIGHT is described in the WHITE BALANCE page of ADJUSTMENT PROCEDURE.

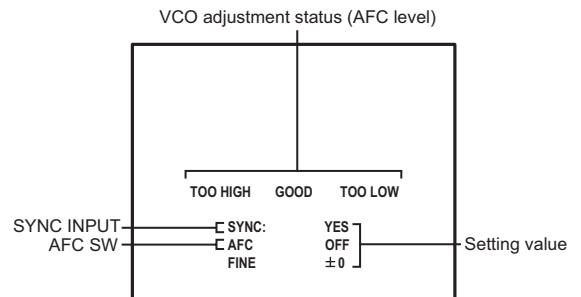
NOTE:

The setting value will be stored automatically when release the REMOTE CONTROL UNIT keys.



9. VCO

The setting for VCO is described in the IF VCO page of ADJUSTMENT PROCEDURE.



4.7 INITIAL SETTING VALUE OF SERVICE MODE

- (1) Adjustment of the SERVICE MODE is made on the basis of the initial setting values ; however, the new setting values which set the screen in its optimum condition may differ from the initial setting.
- (2) Do not change the initial setting values of the setting items NOT LISTED IN ADJUSTMENT PROCEDURE.
- (3) --- : This mark described in each table shows "Cannot adjust it."

4.7.1 [1.V/C(S)]

No.	Setting item	Variable range	Initial setting value				
			AV-N29F45/S				
			RF			EXTERNAL (S / COMPOSITE)	EXTERNAL (COMPONENT)
			STANDARD		THEATER	STANDARD	STANDARD
			4:3	16:9	4:3	4:3	4:3
S01	BRIGHT	0 ~ 127	64	---	---	---	---
S02	PICTURE	0 ~ 127	60	---	---	---	---
S03	COLOR	0 ~ 127	44	---	---	---	48
S04	TINT	0 ~ 127	52	---	---	---	68
S05	DETAIL	0 ~ 63	35	---	---	40	40
S06	BRIGHT+-	-32 ~ +32	---	±0	+1	+4	-3
S07	PICT+-	-32 ~ +32	---	-8	-10	±0	-12
S08	COLOR+-	-32 ~ +32	---	±0	-3	+1	---
S09	TINT+-	-32 ~ +32	---	±0	-3	+9	---
S10	DETAIL+-	-32 ~ +32	---	---	±0	---	---

No.	Setting item	Variable range	Initial setting value				
			AV-N29F45/Z				
			RF			EXTERNAL (S / COMPOSITE)	EXTERNAL (COMPONENT)
			STANDARD		THEATER	STANDARD	STANDARD
			4:3	16:9	4:3	4:3	4:3
S01	BRIGHT	0 ~ 127	64	---	---	---	---
S02	PICTURE	0 ~ 127	60	---	---	---	---
S03	COLOR	0 ~ 127	39	---	---	---	44
S04	TINT	0 ~ 127	57	---	---	---	75
S05	DETAIL	0 ~ 63	35	---	---	40	40
S06	BRIGHT+-	-32 ~ +32	---	±0	+1	-2	-2
S07	PICT+-	-32 ~ +32	---	-8	-10	±0	-5
S08	COLOR+-	-32 ~ +32	---	±0	-3	-3	---
S09	TINT+-	-32 ~ +32	---	±0	-3	+14	---
S10	DETAIL+-	-32 ~ +32	---	---	±0	---	---

No.	Setting item	Variable range	Initial setting value							
			AV-N29F45/S							
			RF / EXTERNAL (S / COMPOSITE)				EXTERNAL (COMPONENT)			
			STANDARD		THEATER		STANDARD		THEATER	
			LOW	HIGH	LOW	HIGH	LOW	HIGH	LOW	HIGH
S11	R CUT OFF	0 ~ 255	30	---	---	---	---	---	---	---
S12	G CUT OFF	0 ~ 255	30	---	---	---	---	---	---	---
S13	B CUT OFF	0 ~ 255	30	---	---	---	---	---	---	---
S14	R DRIVE	0 ~ 127	64	---	---	---	---	---	---	---
S15	B DRIVE	0 ~ 127	64	---	---	---	---	---	---	---
S16	R CUT +-	-128 ~ +127	---	±0	±0	±0	-5	---	---	---
S17	G CUT +-	-128 ~ +127	---	±0	±0	±0	+5	---	---	---
S18	B CUT +-	-128 ~ +127	---	±0	±0	±0	-6	---	---	---
S19	R DRV +-	-128 ~ +127	---	+5	+13	+7	±0	---	---	---
S20	B DRV +-	-128 ~ +127	---	+6	-25	-9	±0	---	---	---
S21	NTSC MAT	0 ~ 3	3	3	1	1	2	2	1	1
S22	BLACK ST	0 ~ 3	2	---	2	---	---	---	---	---
S23	DC REST	0 ~ 1	1	---	1	---	---	---	---	---
S24	DCRSW	0 ~ 1	1	---	1	---	---	---	---	---

No.	Setting item	Variable range	Initial setting value							
			AV-N29F45/Z							
			RF / EXTERNAL (S / COMPOSITE)				EXTERNAL (COMPONENT)			
			STANDARD		THEATER		STANDARD		THEATER	
			LOW	HIGH	LOW	HIGH	LOW	HIGH	LOW	HIGH
S11	R CUT OFF	0 ~ 255	30	---	---	---	---	---	---	---
S12	G CUT OFF	0 ~ 255	30	---	---	---	---	---	---	---
S13	B CUT OFF	0 ~ 255	30	---	---	---	---	---	---	---
S14	R DRIVE	0 ~ 127	64	---	---	---	---	---	---	---
S15	B DRIVE	0 ~ 127	64	---	---	---	---	---	---	---
S16	R CUT +-	-128 ~ +127	---	±0	±0	±0	-5	---	---	---
S17	G CUT +-	-128 ~ +127	---	±0	±0	±0	±0	---	---	---
S18	B CUT +-	-128 ~ +127	---	±0	±0	±0	-6	---	---	---
S19	R DRV +-	-128 ~ +127	---	+5	+13	+7	±0	---	---	---
S20	B DRV +-	-128 ~ +127	---	+6	-25	-9	±0	---	---	---
S21	NTSC MAT	0 ~ 3	3	3	1	1	2	2	1	1
S22	BLACK ST	0 ~ 3	2	---	2	---	---	---	---	---
S23	DC REST	0 ~ 1	1	---	1	---	---	---	---	---
S24	DCRSW	0 ~ 1	1	---	1	---	---	---	---	---

No.	Setting item	Variable range	Initial setting value		
			RF	EXTERNAL (S / COMPOSITE)	EXTERNAL (COMPONENT)
S25	ASSY SHRP	0 ~ 7	4	4	4
S26	BPF FO	0 ~ 1	0	0	---
S27	KILR OFF	0 ~ 1	0	0	---
S28	KILR SEN	0 ~ 1	1	1	---

No.	Setting item	Variable range	Initial setting value
S29	RGB MUTE	0 ~ 1	0
S30	BLUE B	0 ~ 1	0
S31	VIDEO SW	0 ~ 3	3
S32	CMP ABCL	0 ~ 1	0
S33	OSD ABL	0 ~ 1	0
S34	OSD CONT	0 ~ 63	7
S35	SUB CONT	0 ~ 15	5
S36	ABL GAIN	0 ~ 3	0
S37	ABL PNT	0 ~ 3	3
S38	Y GAMMA	0 ~ 3	1
S39	Y MUTE	0 ~ 1	0
S40	SVM GAIN	0 ~ 3	3
S41	SVM PH	0 ~ 3	1
S42	WPL	0 ~ 1	0
S43	COL GMM	0 ~ 1	0
S44	V1 GAIN	0 ~ 7	4
S46	VMOFF DE	-128 ~ +127	3
S47	APC CLK	0 ~ 1	1
S48	PIP ADJ	0 ~ 15	4

4.7.2 [2. DEF (D)]

No.	Setting item	Variable range	Initial setting value					
			AV-N29F45/S			AV-N29F45/Z		
			RF		EXTERNAL	RF		EXTERNAL
			4:3	16:9	4:3	4:3	16:9	4:3
D01	V FREQ	0 ~ 3	0	0	3	0	0	3
D02	AFC GAIN	0 ~ 3	0	0	2	0	0	2
D03	H POSI	0 ~ 31	21	---	21	20	---	20
D04	H POSI+-	-128 ~ +127	---	0	---	---	0	---
D05	V PHASE	0 ~ 7	0	---	0	0	---	0
D06	V PH+-	-128 ~ +127	---	0	---	---	0	---
D07	V SIZE	0 ~ 127	105	---	105	100	---	100
D08	V SIZE+-	-128 ~ +127	---	-30	---	---	-25	---
D09	V CENTER	0 ~ 63	32	---	32	32	---	32
D10	V CENT+-	-128 ~ +127	---	0	---	---	0	---
D11	V S CORR	0 ~ 15	7	---	7	9	---	9
D12	V S CO+-	-128 ~ +127	---	0	---	---	0	---
D13	V LIN	0 ~ 15	10	---	10	10	---	10
D14	V LIN+-	-128 ~ +127	---	0	---	---	0	---
D15	H SIZE	0 ~ 63	38	---	38	33	---	33
D16	H SIZE+-	-128 ~ +127	---	0	---	---	0	---
D17	WVMT TOP	0 ~ 3	0	1	0	0	1	0
D18	WVMT BTM	0 ~ 3	0	1	0	0	1	0
D19	EWCR TOP	0 ~ 31	14	---	14	12	---	12
D20	EWCR T+-	-128 ~ +127	---	0	---	---	0	---
D21	EWCR BTM	0 ~ 31	13	---	13	14	---	14
D22	EWCR B+-	-128 ~ +127	---	0	---	---	0	---
D23	EW PARA	0 ~ 63	42	---	42	31	---	31
D24	EW PARA+-	-128 ~ +127	---	-15	---	---	-15	---
D25	V EHT	0 ~ 7	0	---	0	0	---	0
D26	V EHT+-	-128 ~ +127	---	0	---	---	0	---
D27	H EHT	0 ~ 7	0	---	0	0	---	0
D28	H EHT+-	-128 ~ +127	---	0	---	---	0	---
D29	TRAPEZ	0 ~ 63	30	---	30	31	---	31
D30	TRAPEZ+-	-128 ~ +127	---	0	---	---	0	---
D31	V AGC	0 ~ 1	0	0	0	0	0	0
D32	BLANK SW	0 ~ 1	0	0	0	0	0	0
D33	VRMP BI	0 ~ 1	0	0	0	0	0	0

4.7.3 [3. SOUND(A)]

No.	Setting item	Variable range	Initial setting value
A01	IN LEVEL	0 ~ 15	9
A02	LOW SEP	0 ~ 63	41
A03	HI SEP	0 ~ 63	36
A04	SAPC	0 ~ 1	0
A05	BBE BASS	-128 ~ +127	+6
A06	BBE TRE	-128 ~ +127	+6
A07	AHS MVE	-128 ~ +127	±0
A08	AHS MSC	-128 ~ +127	±0

4.7.4 [4. OTHERS(F)] [Do Not adjust : All fixed]

No.	Setting item	Variable range	Initial setting value	
			AV-N29F45/S	AV-N29F45/Z
F01	OSD POSI	0 ~ 255	39	37
F02	OSD FREQ	0 ~ 255	90	90
F03	CCD POSI	0 ~ 255	42	39
F04	CCD FREQ	0 ~ 255	91	91
F05	CCD CONT	0 ~ 63	4	4
F06	PUR WBCK	0 ~ 1	0	0
F07	PUR CONT	0 ~ 63	2	2
F08	CCD PCHK	0 ~ 1	1	1
F09	VMOFF	0 ~ 1	0	0
F10	VNR CHK	0 ~ 255	3	3
F11	VCSN TM	0 ~ 255	5	5
F12	VM DAT A	-128 ~ +127	+127	8
F13	VM DAT B	-128 ~ +127	+8	-8
F14	VM DAT C	-128 ~ +127	-8	-20
F15	VM DAT D	-128 ~ +127	-20	-32
F16	VM DAT E	0 ~ 1	1	1
F17	XDSID TM	0 ~ 255	15	15
F18	FM TRAP	0 ~ 1	0	0

4.7.5 [5. 3L Y/C(LYC)] [Do not adjust : All fixed]

No.	Setting item	Variable range	Initial setting value
LYC01	MODE	0 ~ 7	4
LYC02	VENH	0 ~ 7	1
LYC03	PDSOFF	0 ~ 1	0
LYC04	CB	0 ~ 1	0
LYC05	VNLR	0 ~ 15	2
LYC06	GSEL0	0 ~ 1	0
LYC07	GSEL1	0 ~ 1	1
LYC08	COR	0 ~ 3	0
LYC09	TRAP	0 ~ 1	1
LYC10	CHTRAP	0 ~ 1	0
LYC11	CBPF	0 ~ 1	0
LYC12	ENHOFF	0 ~ 1	0

4.7.6 [12. SYSTEM(SYS)] [Do not adjust : All fixed]

No.	Setting item	Variable range	Initial setting value
SYS01	VIDEO IN	0 ~ 4	3
SYS02	VSM	0 ~ 1	1
SYS03	CLR TEMP	0 ~ 1	1
SYS04	THEATER	0 ~ 1	1
SYS05	THEA PRO	0 ~ 1	1
SYS06	GAME MD	0 ~ 1	0
SYS07	AHS	0 ~ 1	1
SYS08	HYPER SR	0 ~ 1	0
SYS09	BBE	0 ~ 1	1
SYS10	S SOUND	0 ~ 1	1
SYS11	16:9 MD	0 ~ 3	1
SYS12	S CCD	0 ~ 1	1
SYS13	ID DISP	0 ~ 1	0
SYS14	CH LAB	0 ~ 1	1
SYS15	V LAB	0 ~ 1	1
SYS16	W CLOCK	0 ~ 1	0
SYS17	PIM	0 ~ 1	1
SYS18	PURITY	0 ~ 1	0
SYS19	VOL MUTE	0 ~ 1	1
SYS20	VCHIP	0 ~ 1	0
SYS21	VCHIP CA	0 ~ 1	0
SYS22	CCD	0 ~ 1	1
SYS23	HYPSCAN	0 ~ 1	1
SYS24	JVC LOGO	0 ~ 1	1
SYS25	PANORAMA	0 ~ 1	0

4.8 ADJUSTMENT PROCEDURE

4.8.1 CHECK ITEM

Item	Measuring instrument	Test point	Adjustment part	Description
B1 POWER SUPPLY check	DC voltmeter	S1 Connector 1-pin : TP-E 5-pin : TP-91 [MAIN PWB]		<ol style="list-style-type: none"> (1) Receive the black-and-white signal. (color off) (2) Connect the DC voltmeter to the TP-E and TP-91(B1) of S1 connector. (3) Confirm that the voltage is DC134.5V±2V.
HIGH VOLTAGE HOLD DOWN check	Resistor	S1 connector 1-pin : TP-E 3-pin : X-RAY1 [MAIN PWB]		<ul style="list-style-type: none"> • After repairing the high voltage hold down circuit. This circuit shall be checked to operate correctly. <ol style="list-style-type: none"> (1) Turn the power switch to on. (2) Refer to the figure, connect the resistor between S1 connector 1-pin and 3-pin. (3) Make sure that the screen picture disappears. (4) Disconnect the power plug. (5) Remove the resistor. (6) Again connect the power plug. (7) Turn the power switch to on. (8) Make sure that the normal picture is displayed on the screen.

RESISTOR
22.0kΩ ± 110Ω

HEATER

HVT

S1 CONNECTOR

4.8.2 TUNER / IF CIRCUIT

Item	Measuring instrument	Test point	Adjustment part	Description
IF VCO	Remote control unit		[9.VCO] CW transf. (T111) [MAIN PWB]	<ul style="list-style-type: none"> • It must not adjust without inputting the RF signal. <ol style="list-style-type: none"> (1) Receive the broadcast. (2) Select 9.VCO from the SERVICE MODE. (3) Set the "AFC" to "OFF" and "FINE" to "0". (4) Confirm that the color change from "TOO HIGH" to "TOO LOW" by CW transf. on MAIN PWB, and check the "SYNC" is "YES". (5) Adjust CW transf. until "GOOD" letters turns green. And then confirm that the "SYNC" is "YES" again. Adjustment can be done in this statement. (6) It return the "AFC" to "ON". (7) Push the [EXIT] key to exit the 9.VCO.

AFC STATUS
(Turn to green)

TOO HIGH GOOD TOO LOW

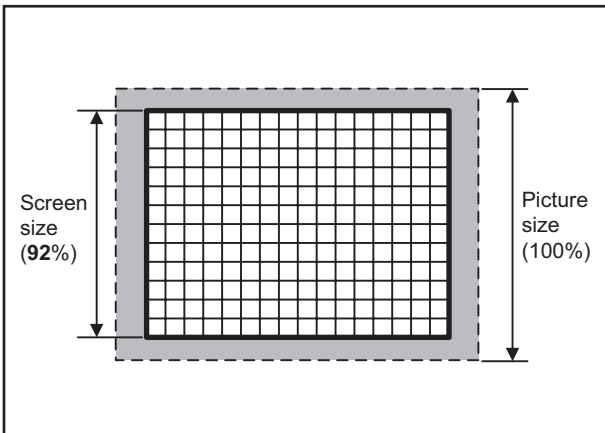
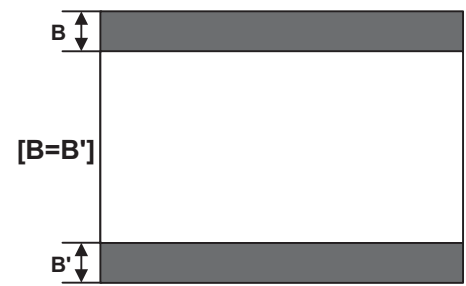
SYNC: YES
AFC ON
FINE ±0

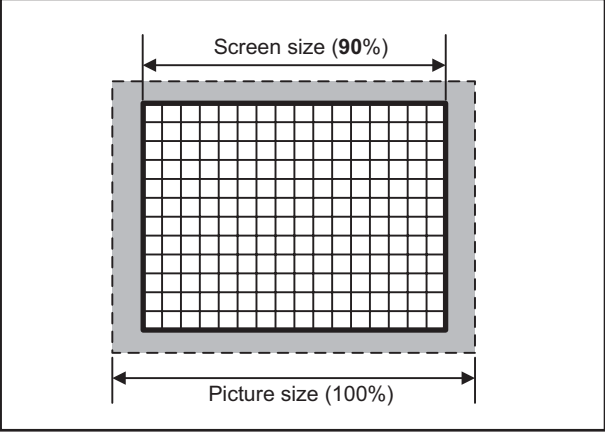
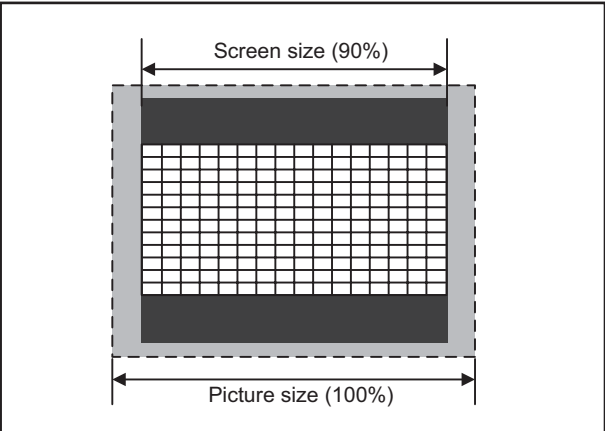
4.8.3 FOCUS

Item	Measuring instrument	Test point	Adjustment part	Description
FOCUS	Signal generator		FOCUS VR [In HVT]	<ol style="list-style-type: none"> (1) Receive the cross-hatch signal. (2) While watching at the screen, adjust the FOCUS VR to the vertical and horizontal lines will be thinnest and sharpest center horizontal line. (3) Make sure that the picture is in focus even when the screen gets darkened.

4.8.4 DEFLECTION CIRCUIT

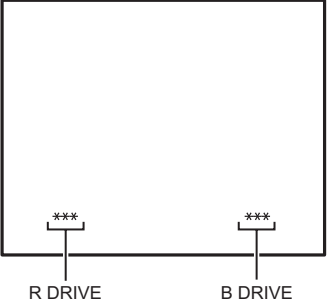
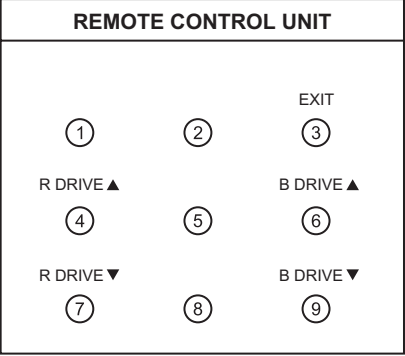
- The setting (adjustment) using the remote control unit is made on the basis of the initial setting values.
- The setting values which adjust the screen to the optimum condition can be different from the initial setting values.

Item	Measuring instrument	Test point	Adjustment part	Description											
V. SIZE / V. POSITION (4:3)	Signal generator		[2.DEF (D)] D05: V PHASE D07: V SIZE D13:V LIN D11:VS CORR V. CENTER SW (S1421) [MAIN PWB]	(1) Receive the cross-hatch signal. (2) Select 2.DEF(D) from the SERVICE MODE. (3) Select the < D05 > (V PHASE). (4) Check that the value of < D05 > is 0. (5) Adjust the vertical screen size of the visible screen top to 92% with the < D07 > (V SIZE) and V CENTER SW. NOTE : <ul style="list-style-type: none"> • Bottom is to be located within 85%~95% range. • When vertical linearity is not even, adjust vertical linearity by < D13 > (V LIN) and < D11 > (VS CORR). 											
	Remote control unit														
<div style="text-align: center;">  </div> <table border="1" style="margin: 10px auto; width: 80%;"> <thead> <tr> <th rowspan="2">Setting item</th> <th colspan="2">Initial setting value</th> </tr> <tr> <th>AV-N29F45/S</th> <th>AV-N29F45/Z</th> </tr> </thead> <tbody> <tr> <td>D05: V PHASE</td> <td colspan="2" style="text-align: center;">0</td> </tr> <tr> <td>D07: V SIZE</td> <td style="text-align: center;">105</td> <td style="text-align: center;">100</td> </tr> </tbody> </table>					Setting item	Initial setting value		AV-N29F45/S	AV-N29F45/Z	D05: V PHASE	0		D07: V SIZE	105	100
Setting item	Initial setting value														
	AV-N29F45/S	AV-N29F45/Z													
D05: V PHASE	0														
D07: V SIZE	105	100													
V. SIZE / V. POSITION (16:9)	Signal generator		[2.DEF (D)] D08: V. SIZE+- D14: V. LIN+-	<ul style="list-style-type: none"> • V. SIZE / V. POSITION (4:3) adjustment should be finished. (1) Receive a black and white signal (color off). (2) Select 16:9 mode. (3) Confirm that the width of V. BLANKING is equal to adjustment value (B). (4) If the adjustment is not correct, select 2.DEF(D) from the SERVICE MODE. (5) Then adjust the < D08 > (V. SIZE+-) and < D14 > (V. LIN+-) to be same to adjustment value (B). NOTE : <ul style="list-style-type: none"> • When you change the VERTICAL adjustment value of the regular mode (4:3), review the adjustment of 16:9 mode again. 											
	Remote control unit														
<div style="text-align: center;">  </div> <table border="1" style="margin: 10px auto; width: 80%;"> <thead> <tr> <th>Adjust point</th> <th>Setting value</th> </tr> </thead> <tbody> <tr> <td style="text-align: center;">B</td> <td style="text-align: center;">50mm</td> </tr> </tbody> </table>					Adjust point	Setting value	B	50mm							
Adjust point	Setting value														
B	50mm														
<table border="1" style="margin: 10px auto; width: 80%;"> <thead> <tr> <th rowspan="2">Setting item</th> <th colspan="2">Initial setting value</th> </tr> <tr> <th>AV-N29F45/S</th> <th>AV-N29F45/Z</th> </tr> </thead> <tbody> <tr> <td>D08: V SIZE+-</td> <td style="text-align: center;">-30</td> <td style="text-align: center;">-25</td> </tr> <tr> <td>D14: V LIN+-</td> <td style="text-align: center;">0</td> <td style="text-align: center;">0</td> </tr> </tbody> </table>					Setting item	Initial setting value		AV-N29F45/S	AV-N29F45/Z	D08: V SIZE+-	-30	-25	D14: V LIN+-	0	0
Setting item	Initial setting value														
	AV-N29F45/S	AV-N29F45/Z													
D08: V SIZE+-	-30	-25													
D14: V LIN+-	0	0													

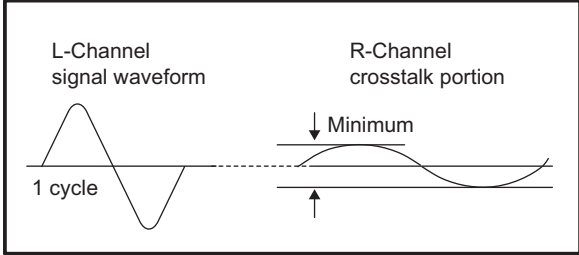
Item	Measuring instrument	Test point	Adjustment part	Description
H. SIZE / H. POSITION / SIDE PIN (4:3)	Signal generator Remote control unit		[2.DEF (D)] D03: H POSI D15: H SIZE D23: EW PARA D19: EWCR TOP D21: EWCR BTM	<ul style="list-style-type: none"> • V. SIZE / V. POSITION adjustment should be finished. <ol style="list-style-type: none"> (1) Receive a cross-hatch signal. (2) Select 2.DEF(D) from the SERVICE MODE. (3) Select the < D03 > (H POSI). (4) Adjust by H. POSITION to be same size at both side. (5) Adjust the horizontal size of the visible screen at both size to 90% with the < D15 > (H. SIZE). (6) Adjust the vertical line at both side to become linear line by < D23 > (EW PARA). (7) Confirm the linearity of vertical line and horizontal size. (8) If it is necessary, readjust 1.~7. <p>NOTE :</p> <ul style="list-style-type: none"> • If it is not straight the vertical upper and bottom corner line adjustment the upper and bottom corner pin by < D19 > (EWCR TOP) and < D21 > (EWCR BTM).
H. POSITION / H. SIZE / SIDE PIN (16:9)	Signal generator Remote control unit		[2.DEF (D)] D16: H SIZE+- D04: H POSI+- D24: EW PARA+- D20: EWCR T+- D22: EWCR B+-	<ul style="list-style-type: none"> • V. SIZE / V. POSITION adjustment should be finished. • H. SIZE / H. POSITION / SIDE PIN adjustment should be finished. (Regular size(4:3)). <ol style="list-style-type: none"> (1) Receive the cross-hatch signal. (2) Select 16:9 mode. (3) Confirm both sides of cross-hatch to be the adjustment value 90%. (4) Select 2.DEF(D) from the SERVICE MODE. (5) If it not correct, adjust to be value 90% at the < D16 > (H SIZE+-) and < D04 > (H POSI+-). (6) Confirm the second vertical line from left to right to be straight. (7) If it is not straight, adjust to be straight by < D24 > (EW PARA+-), < D20 > (EWCR T+-) and < D22 > (EWCR B+-). <p>NOTE :</p> <ul style="list-style-type: none"> • Review the adjustment of 16:9 mode again when you change the SIDE PIN adjustment value of regular (4:3) mode.
<div style="display: flex; justify-content: space-around;">   </div>				

4.8.5 VIDEO CIRCUIT

Item	Measuring instrument	Test point	Adjustment part	Description																					
WHITE BALANCE (LOW LIGHT)	Signal generator Remote control unit		[1.V/C (S)] S01: BRIGHT S11: R CUTOFF S12: G CUTOFF S13: B CUTOFF [7.LOW LIGHT] SCREEN VR [in HVT]	<ol style="list-style-type: none"> (1) Receive the black and white signal (color off). (2) Set the VIDEO STATUS to STANDARD. (3) Set the COLOR TEMPERATURE to LOW. (4) Select the 1.V/C (S) from the SERVICE MODE. (5) Confirm the initial setting value of < S11 > (R CUTOFF), < S12 > (G CUTOFF), < S13 > (B CUTOFF) and < S01 > (BRIGHT). (6) Return to the main menu in SERVICE MODE. (7) Select the 7.LOW LIGHT from the SERVICE MODE. (8) Display a single horizontal line by pressing the [1] key. (9) Turn the SCREEN VR all the way to the left. (10) Turn the SCREEN VR gradually to the right from the left until either one of the red, blue or green colors appears faintly. (11) Adjust the two colors which did not appear until the single horizontal line that is displayed becomes white using the [4]~[9] keys. (12) Turn the SCREEN VR until the single horizontal line is displayed faintly. (13) Press the [2] key to cancel the single horizontal line mode. (14) Return to the main menu in SERVICE MODE. (15) Select the 1.V/C (S) from the SERVICE MODE. (16) Adjust the BRIGHT level to become the black component shines white slightly by < S01 >. (17) Confirm that whether the color ingredient of R, G, or B is visible to the black component, which shines white slightly. (18) When the color ingredient can be seen, two colors other than a visible color are adjusted, and it is made to look white. (19) Return the value of < S01 > to initial setting value. <ul style="list-style-type: none"> • The [3] (EXIT) key is the cancel key for the WHITE BALANCE. 																					
<p style="text-align: center;">LOW LIGHT adjustment mode</p> <p style="text-align: center;">SINGLE HORIZONTAL LINE</p>																									
			<table border="1" style="width: 100%; text-align: center;"> <thead> <tr> <th>Setting item</th> <th>Initial setting value</th> </tr> </thead> <tbody> <tr> <td>S11: R CUT OFF</td> <td>30</td> </tr> <tr> <td>S12: G CUT OFF</td> <td>30</td> </tr> <tr> <td>S13: B CUT OFF</td> <td>30</td> </tr> <tr> <td>S01: BRIGHT</td> <td>64</td> </tr> </tbody> </table>	Setting item	Initial setting value	S11: R CUT OFF	30	S12: G CUT OFF	30	S13: B CUT OFF	30	S01: BRIGHT	64												
Setting item	Initial setting value																								
S11: R CUT OFF	30																								
S12: G CUT OFF	30																								
S13: B CUT OFF	30																								
S01: BRIGHT	64																								
			<table border="1" style="width: 100%; text-align: center;"> <thead> <tr> <th colspan="3">REMOTE CONTROL UNIT</th> </tr> </thead> <tbody> <tr> <td>H.LINE ON</td> <td>H.LINE OFF</td> <td>EXIT</td> </tr> <tr> <td>①</td> <td>②</td> <td>③</td> </tr> <tr> <td>R CUTOFF▲</td> <td>G CUTOFF▲</td> <td>B CUTOFF▲</td> </tr> <tr> <td>④</td> <td>⑤</td> <td>⑥</td> </tr> <tr> <td>R CUTOFF▼</td> <td>G CUTOFF▼</td> <td>B CUTOFF▼</td> </tr> <tr> <td>⑦</td> <td>⑧</td> <td>⑨</td> </tr> </tbody> </table>	REMOTE CONTROL UNIT			H.LINE ON	H.LINE OFF	EXIT	①	②	③	R CUTOFF▲	G CUTOFF▲	B CUTOFF▲	④	⑤	⑥	R CUTOFF▼	G CUTOFF▼	B CUTOFF▼	⑦	⑧	⑨	
REMOTE CONTROL UNIT																									
H.LINE ON	H.LINE OFF	EXIT																							
①	②	③																							
R CUTOFF▲	G CUTOFF▲	B CUTOFF▲																							
④	⑤	⑥																							
R CUTOFF▼	G CUTOFF▼	B CUTOFF▼																							
⑦	⑧	⑨																							

Item	Measuring instrument	Test point	Adjustment part	Description						
WHITE BALANCE (HIGH LIGHT)	Signal generator		[1.V/C (S)] S14: R DRIVE S15: B DRIVE	(1) Receive the black-and-white signal (color off). (2) Set the VIDEO STATUS to STANDARD. (3) Set the COLOR TEMPERATURE to LOW. (4) Select the 1.V/C (S) from the SERVICE MODE. (5) Set the initial setting value of < S14 > (R DRIVE) and < S15 > (B DRIVE). (6) Return to the main menu in SERVICE MODE. (7) Select the 8.HIGH LIGHT from the SERVICE MODE. (8) Adjust the screen until it becomes white using the [4], [6], [7] and [9] keys. • The [3] (EXIT) key is the cancel key for the WHITE BALANCE.						
	Remote control unit		[8.HIGH LIHGT]							
<p style="text-align: center;">HIGH LIGHT adjustment mode</p>  <table border="1" style="margin-left: auto; margin-right: auto;"> <thead> <tr> <th>Setting item</th> <th>Initial setting value</th> </tr> </thead> <tbody> <tr> <td>S14: R DRIVE</td> <td>64</td> </tr> <tr> <td>S15: B DRIVE</td> <td>64</td> </tr> </tbody> </table>				Setting item	Initial setting value	S14: R DRIVE	64	S15: B DRIVE	64	
Setting item	Initial setting value									
S14: R DRIVE	64									
S15: B DRIVE	64									
SUB BRIGHT	Remote control unit		[1.V/C (S)] S01: BRIGHT	(1) Receive the any broadcast. (2) Set the VIDEO STATUS to STANDARD. (3) Select the 1.V/C (S) from the SERVICE MODE. (4) Select < S01 > (BRIGHT). (5) Set the initial setting value of the < S01 >. (6) If the brightness is not the best with the initial setting value, make fine adjustment of the < S01 > until you get the optimum brightness.						
<table border="1" style="margin-left: auto; margin-right: auto;"> <thead> <tr> <th>Setting item</th> <th>Initial setting value</th> </tr> </thead> <tbody> <tr> <td>S01: BRIGHT</td> <td>64</td> </tr> </tbody> </table>					Setting item	Initial setting value	S01: BRIGHT	64		
Setting item	Initial setting value									
S01: BRIGHT	64									
SUB CONTRAST	Remote control unit		[1.V/C (S)] S02: PICTURE	(1) Receive the any broadcast. (2) Set the VIDEO STATUS to STANDARD. (3) Select the 1.V/C (S) from the SERVICE MODE. (4) Select < S02 > (PICTURE). (5) Set the initial setting value of the < S02 >. (6) If the contrast is not the best with the initial setting value, make fine adjustment of the < S02 > until you get the optimum contrast.						
<table border="1" style="margin-left: auto; margin-right: auto;"> <thead> <tr> <th>Setting item</th> <th>Initial setting value</th> </tr> </thead> <tbody> <tr> <td>S02: PICTURE</td> <td>60</td> </tr> </tbody> </table>					Setting item	Initial setting value	S02: PICTURE	60		
Setting item	Initial setting value									
S02: PICTURE	60									

4.8.6 MTS CIRCUIT

Item	Measuring instrument	Test point	Adjustment part	Description						
MTS INPUT LEVEL	Remote control unit		[3.SOUND (A)] A01: IN LEVEL	(1) Receive the any broadcast. (2) Select the 3.SOUND (A) from the SERVICE MODE. (3) Select the < A01 > (IN LEVEL). (4) Set the intal setting value of the < A01 >.						
				<table border="1"> <thead> <tr> <th>Setting item</th> <th>Initial setting value</th> </tr> </thead> <tbody> <tr> <td>A01: IN LEVEL</td> <td>9</td> </tr> </tbody> </table>	Setting item	Initial setting value	A01: IN LEVEL	9		
Setting item	Initial setting value									
A01: IN LEVEL	9									
MTS SEPARATION	TV audio multiplex signal generator Oscilloscope	R OUT L OUT [AUDIO OUT]	[3.SOUND (A)] A02: LOW SEP. A03: HI SEP.	(1) Input the stereo L signal (300Hz) from the TV audio multiplex signal generator to the antenna terminal. (2) Connect an oscilloscope to R OUT pin of the AUDIO OUT, and display one cycle portion of the 300Hz signal. (3) Select the 3.SOUND (A) from the SERVICE MODE. (4) Select the < A02 > (LOW SEP.). (5) Set the initial setting value of the < A02 >. (6) Adjust the < A02 > so that the stroke element of the 300Hz signal will become minimum. (7) Change the connection of the oscilloscope to L OUT pin of the AUDIO OUT, and enlarge the voltage axis. (8) Change the signal to 3kHz, and similarly adjust the < A03 > (HI SEP.).						
				<table border="1"> <thead> <tr> <th>Setting item</th> <th>Initial setting value</th> </tr> </thead> <tbody> <tr> <td>A02: LOW SEP</td> <td>41</td> </tr> <tr> <td>A03: HI SEP</td> <td>36</td> </tr> </tbody> </table>	Setting item	Initial setting value	A02: LOW SEP	41	A03: HI SEP	36
Setting item	Initial setting value									
A02: LOW SEP	41									
A03: HI SEP	36									

SECTION 5 TROUBLESHOOTING

This service manual does not describe TROUBLESHOOTING.



JVC

VICTOR COMPANY OF JAPAN, LIMITED

AV & MULTIMEDIA COMPANY VIDEO DISPLAY CATEGORY 12, 3-chome, Moriya-cho, kanagawa-ku, Yokohama, kanagawa-prefecture, 221-8528, Japan

(No.YA058)



Printed in Japan
WPC

JVC

SCHEMATIC DIAGRAMS

COLOR TELEVISION

AV-N29F45/s, AV-N29F45/z

CD-ROM No.SML200403

BASIC CHASSIS

GJ4



BBE

AV-N29F45/s, AV-N29F45/z

STANDARD CIRCUIT DIAGRAM

NOTE ON USING CIRCUIT DIAGRAMS

1.SAFETY

The components identified by the \triangle symbol and shading are critical for safety. For continued safety replace safety critical components only with manufactures recommended parts.

2.SPECIFIED VOLTAGE AND WAVEFORM VALUES

The voltage and waveform values have been measured under the following conditions.

- (1)Input signal : Colour bar signal
- (2)Setting positions of each knob/button and variable resistor : Original setting position when shipped
- (3)Internal resistance of tester : DC 20k Ω /V
- (4)Oscilloscope sweeping time : H \Rightarrow 20 μ s / div
: V \Rightarrow 5ms / div
: Others \Rightarrow Sweeping time is specified
- (5)Voltage values : All DC voltage values

* Since the voltage values of signal circuit vary to some extent according to adjustments, use them as reference values.

3.INDICATION OF PARTS SYMBOL [EXAMPLE]

- In the PW board : R1209 \rightarrow R209

4.INDICATIONS ON THE CIRCUIT DIAGRAM

(1)Resistors

- Resistance value

No unit : [Ω]
K : [k Ω]
M : [M Ω]

- Rated allowable power

No indication : 1/16 [W]
Others : As specified

- Type

No indication : Carbon resistor
OMR : Oxide metal film resistor
MFR : Metal film resistor
MPR : Metal plate resistor
UNFR : Uninflammable resistor
FR : Fusible resistor

* Composition resistor 1/2 [W] is specified as 1/2S or Comp.

(2)Capacitors

- Capacitance value

1 or higher : [pF]
less than 1 : [μ F]

- Withstand voltage

No indication : DC50[V]
Others : DC withstand voltage [V]
AC indicated : AC withstand voltage [V]

* Electrolytic Capacitors

47/50[Example]: Capacitance value [μ F]/withstand voltage[V]

- Type

No indication : Ceramic capacitor
MM : Metalized mylar capacitor
PP : Polypropylene capacitor
MPP : Metalized polypropylene capacitor
MF : Metalized film capacitor
TF : Thin film capacitor
BP : Bipolar electrolytic capacitor
TAN : Tantalum capacitor

(3)Coils

No unit : [μ H]
Others : As specified

(4)Power Supply

: B1 : B2 (12V)
: 9V : 5V

* Respective voltage values are indicated

(5)Test point

: Test point : Only test point display

(6)Connecting method

: Connector : Wrapping or soldering
: Receptacle

(7)Ground symbol

: LIVE side ground
: ISOLATED(NEUTRAL) side ground
: EARTH ground
: DIGITAL ground

5.NOTE FOR REPAIRING SERVICE

This model's power circuit is partly different in the GND. The difference of the GND is shown by the LIVE : (\perp) side GND and the ISOLATED(NEUTRAL) : (\downarrow) side GND. Therefore, care must be taken for the following points.

(1)Do not touch the LIVE side GND or the LIVE side GND and the ISOLATED(NEUTRAL) side GND simultaneously. if the above caution is not respected, an electric shock may be caused.

Therefore, make sure that the power cord is surely removed from the receptacle when, for example, the chassis is pulled out.

(2)Do not short between the LIVE side GND and ISOLATED(NEUTRAL) side GND or never measure with a measuring apparatus (oscilloscope, etc.) the LIVE side GND and ISOLATED(NEUTRAL) side GND at the same time. If the above precaution is not respected, a fuse or any parts will be broken.

◆ Since the circuit diagram is a standard one, the circuit and circuit constants may be subject to change for improvement without any notice.

NOTE

◆ Due improvement in performance, some part numbers show in the circuit diagram may not agree with those indicated in the part list.

When ordering parts, please use the numbers that appear in the Parts List.

CONTENTS

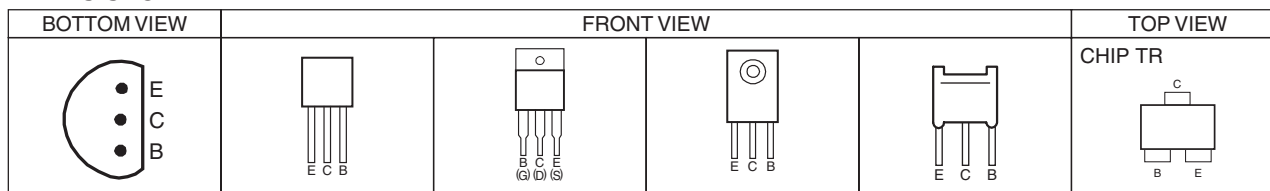
SEMICONDUCTOR SHAPES	2-2
BLOCK DIAGRAM	2-3
CIRCUIT DIAGRAMS	2-5
MAIN PWB CIRCUIT DIAGRAM	2-5
AV SELECTOR PWB CIRCUIT DIAGRAM	2-9
CRT SOCKET PWB CIRCUIT DIAGRAM	2-11
FRONT CONTROL PWB CIRCUIT DIAGRAM	2-13
LED & POWER SW PWB CIRCUIT DIAGRAM	2-14
PATTERN DIAGRAMS	2-15
MAIN PWB PATTERN	2-15
AV SELECTOR PWB PATTERN	2-17
CRT SOCKET PWB PATTERN	2-17
FRONT CONTROL PWB PATTERN	2-18
LED & POWER SW PWB PATTERN	2-18
CHANNEL CHART(US)	2-19
CHANNEL CHART(CA)	2-20

USING P.W. BOARD

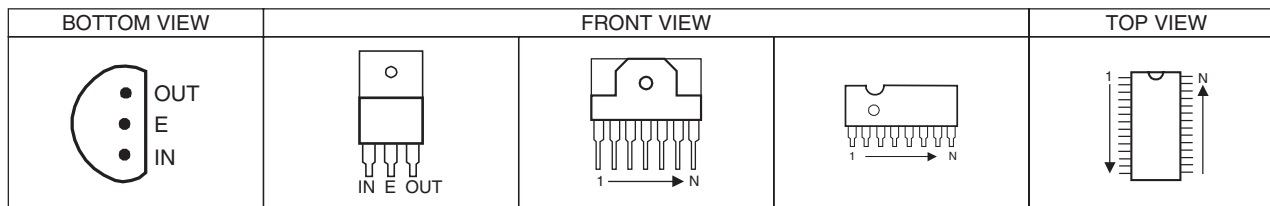
PWB ASS'Y name	AV-N29F45/S	AV-N29F45/Z
MAIN P.W. BOARD	SGJ-1561A-M2	SGJ-1562A-M2
AV SELECTOR P.W. BOARD	SGJ-5506A-M2	←
CRT SOCKET P.W. BOARD	SGJ-3511A-M2	SGJ-3512A-M2
FRONT CONTROL P.W. BOARD	SGJ-6506A-M2	←
LED & POWER SW P.W. BOARD	SGJ-7506A-M2	←

SEMICONDUCTOR SHAPES

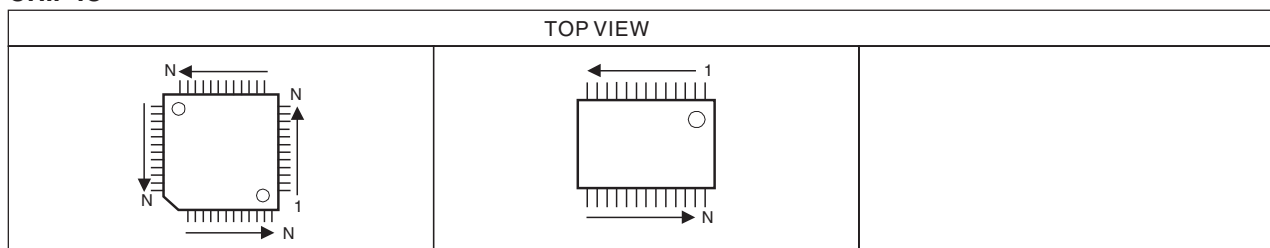
TRANSISTOR



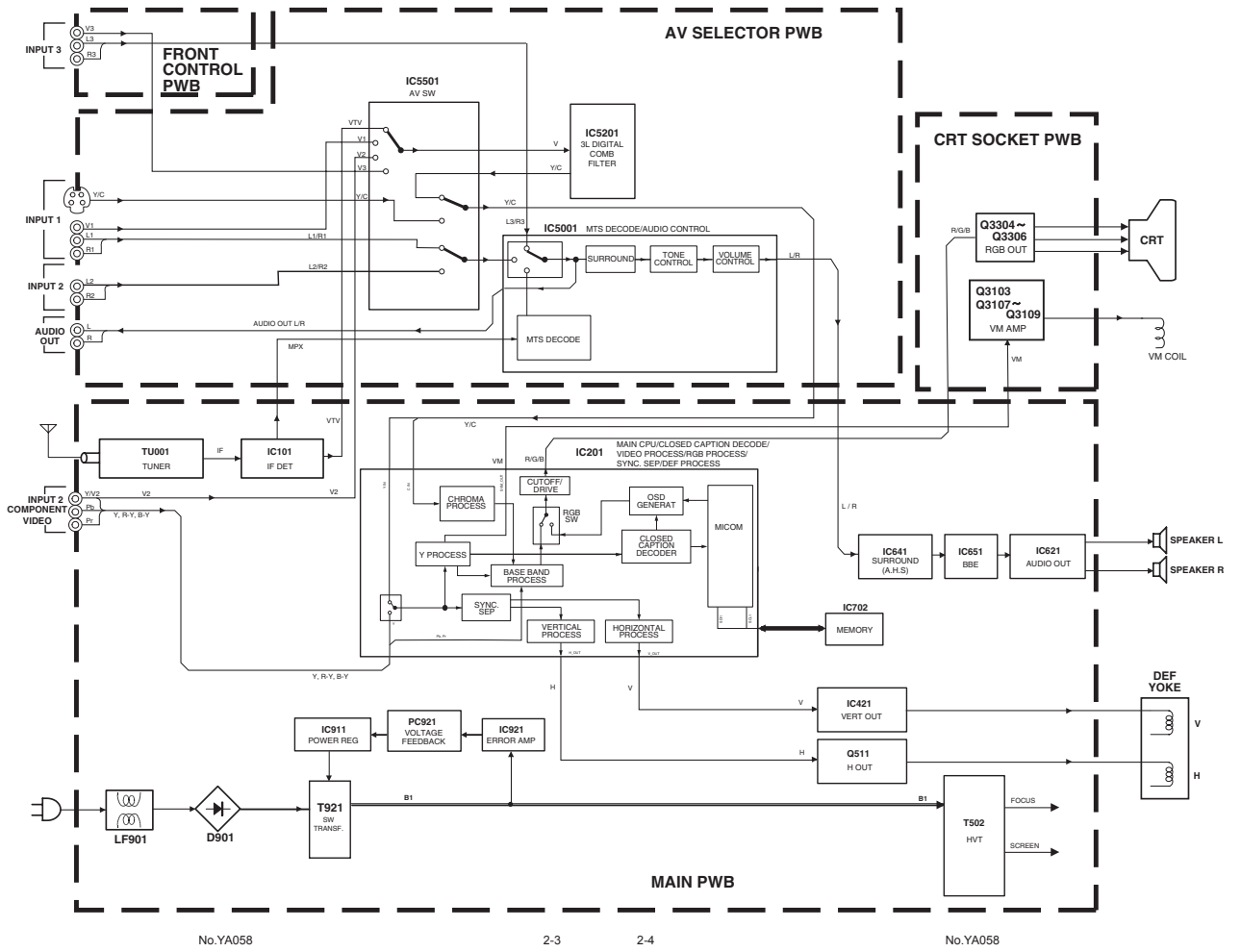
IC



CHIP IC



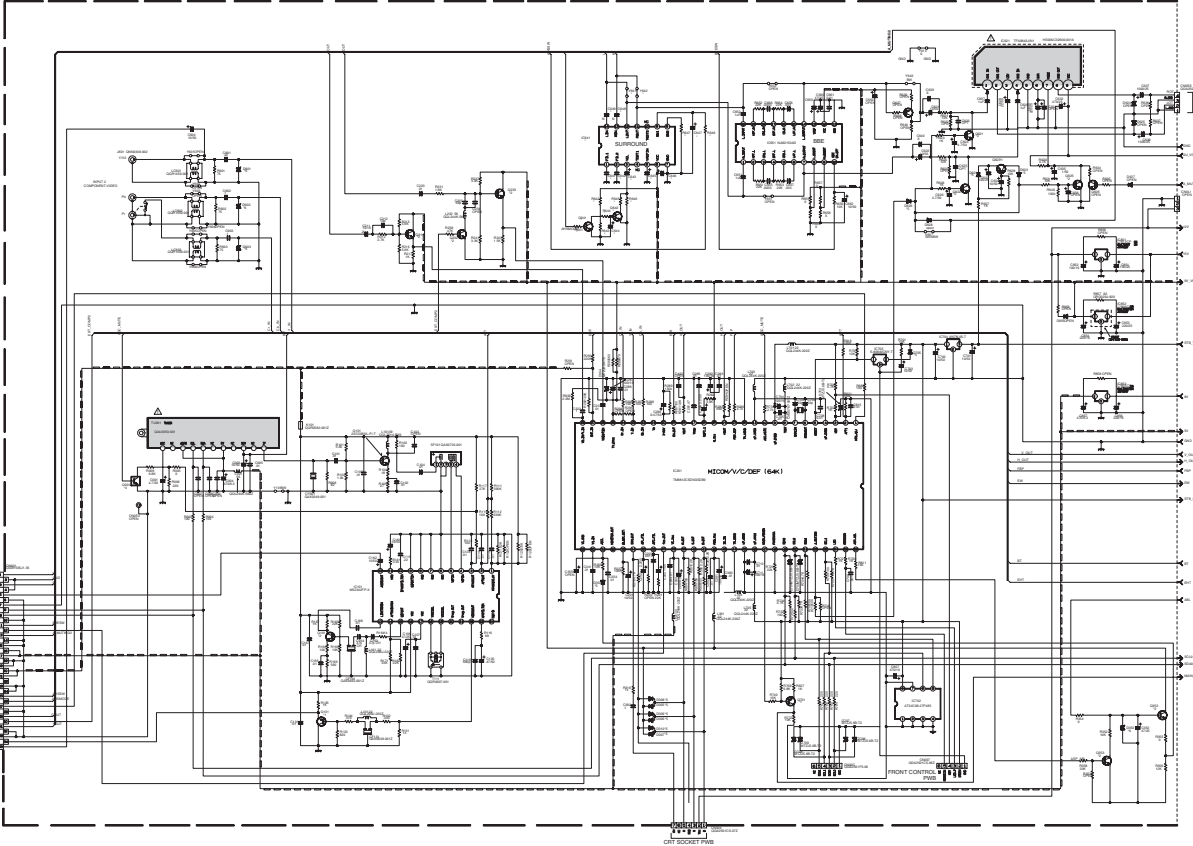
BLOCK DIAGRAM



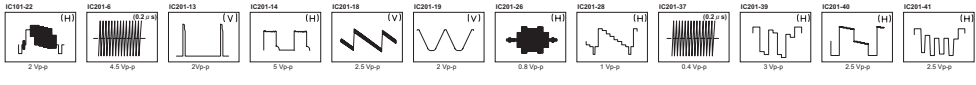
CIRCUIT DIAGRAMS

MAIN PWB CIRCUIT DIAGRAM (1/2) SHEET 1

IC	TYPE	MANUFACTURER
IC101
IC102
IC103
IC104
IC105
IC106
IC107
IC108
IC109
IC110
IC111
IC112
IC113
IC114
IC115
IC116
IC117
IC118
IC119
IC120
IC121
IC122
IC123
IC124
IC125
IC126
IC127
IC128
IC129
IC130
IC131
IC132
IC133
IC134
IC135
IC136
IC137
IC138
IC139
IC140
IC141
IC142
IC143
IC144
IC145
IC146
IC147
IC148
IC149
IC150
IC151
IC152
IC153
IC154
IC155
IC156
IC157
IC158
IC159
IC160
IC161
IC162
IC163
IC164
IC165
IC166
IC167
IC168
IC169
IC170
IC171
IC172
IC173
IC174
IC175
IC176
IC177
IC178
IC179
IC180
IC181
IC182
IC183
IC184
IC185
IC186
IC187
IC188
IC189
IC190
IC191
IC192
IC193
IC194
IC195
IC196
IC197
IC198
IC199
IC200



IC	DC (V)	IC	DC (V)	IC	DC (V)
IC 101	1 2.1	IC 621	1 3.1	IC 161	E 2.7
2 2.1	2 2.1	2 2.1	2 10	C 3.7	
3 3.9	3 3.1	B 2.7			
4 1.4	4 3.1	E 3.7			
5 1.4	5 0	E 3.7			
6 0	6 11.4	C 8.8			
7 0	7 39.9	B 0			
8 0	8 10	C 2.2			
9 0	9 0	C 0			
10 4.2	IC 641	C 0.9			
11 2.5	1 4.4	B 0.1			
12 9.2	2 4.4	IC 233			
13 2.1	3 4.4	E 3.3			
14 3.5	4 4.4	C 8.8			
15 2.1	5 4.4	B 4			
16 8.8	6 8.8	IC 352			
17 8.8	7 0	E 8.1			
18 3.9	8 0	C 8.8			
19 3.9	9 0.1	B 9			
20 4.8	10 4.4	IC 353			
21 4.8	11 4.4	E 0			
22 3.3	12 4.4	C 9			
23 3.3	13 4.4	B 0			
24 2.1	14 4.4	IC 623			
2 1.5	2 4.4	E 0.3			
1 0	1 4.4	C 0.9			
2 1.5	2 4.4	B 0.4			
3 4.7	3 4.4	IC 625			
4 9	4 4.4	E 0			
5 4	5 4.4	B 0.1			
6 2.2	6 4.4	B 0			
7 2	7 4.4	IC 641			
8 0	8 8.8	E 0			
9 5	9 8.8	C 1.3			
10 0	10 8.8	B 0			
11 0	11 0	IC 642			
12 0	12 8.8	E 0			
13 1.1	13 4.4	C 0			
14 1.9	14 4.4	B 0.7			
15 8.8	15 4.4	IC 701			
16 6.3	16 4.4	E 3.7			
17 3.5	17 4.4	C 2.4			
18 4.2	18 4.4	B 3			
19 4.5	19 4.4	IC 001			
20 4.4	20 4.4	L 3.9			
21 0	IC 702	2 0			
22 2.1	1 0	3 4.8			
23 3.3	2 0	4 3.7			
24 2.1	3 0	5 3.9			
25 3.5	4 0	6 4.7			
26 2.2	5 4.8	7 4.8			
27 3.5	6 4.7	8 0			
28 2.4	7 0	9 3.4			
29 0	8 5	10 0			
30 2.2	IC 703	11 0			
31 0.1	1 0				
32 0	2 5				
33 1.9	3 5				
34 3.5	IC 851				
35 1.7	1 15.5				
36 2	2 11.9				
37 2.8	3 0				
38 4.8	IC 882	15.6			
39 2	1 8.8				
40 1.9	2 8.8				
41 1.9	3 0				
42 8.8	IC 883				
43 4.3	1 7.9				
44 0	2 4.9				
45 0	3 0				
46 5	IC 001				
47 0	E 0				
48 0	C 3.9				
49 3.9	B 0				
50 3.7	IC 101				
51 0	E 1				
52 0	C 8.8				
53 4.7	B 1.7				
54 0	IC 151				
55 4.9	E 2.2				
56 0	B 1.5				



NOTE

- 1) CHIP PIN TO: ...
- 2) CHIP PIN TO: ...
- 3) CHIP PIN TO: ...
- 4) CHIP PIN TO: ...
- 5) CHIP PIN TO: ...
- 6) CHIP PIN TO: ...
- 7) CHIP PIN TO: ...
- 8) CHIP PIN TO: ...
- 9) CHIP PIN TO: ...
- 10) CHIP PIN TO: ...
- 11) CHIP PIN TO: ...
- 12) CHIP PIN TO: ...
- 13) CHIP PIN TO: ...
- 14) CHIP PIN TO: ...
- 15) CHIP PIN TO: ...
- 16) CHIP PIN TO: ...
- 17) CHIP PIN TO: ...
- 18) CHIP PIN TO: ...
- 19) CHIP PIN TO: ...
- 20) CHIP PIN TO: ...
- 21) CHIP PIN TO: ...
- 22) CHIP PIN TO: ...
- 23) CHIP PIN TO: ...
- 24) CHIP PIN TO: ...
- 25) CHIP PIN TO: ...
- 26) CHIP PIN TO: ...
- 27) CHIP PIN TO: ...
- 28) CHIP PIN TO: ...
- 29) CHIP PIN TO: ...
- 30) CHIP PIN TO: ...
- 31) CHIP PIN TO: ...
- 32) CHIP PIN TO: ...
- 33) CHIP PIN TO: ...
- 34) CHIP PIN TO: ...
- 35) CHIP PIN TO: ...
- 36) CHIP PIN TO: ...
- 37) CHIP PIN TO: ...
- 38) CHIP PIN TO: ...
- 39) CHIP PIN TO: ...
- 40) CHIP PIN TO: ...
- 41) CHIP PIN TO: ...
- 42) CHIP PIN TO: ...
- 43) CHIP PIN TO: ...
- 44) CHIP PIN TO: ...
- 45) CHIP PIN TO: ...
- 46) CHIP PIN TO: ...
- 47) CHIP PIN TO: ...
- 48) CHIP PIN TO: ...
- 49) CHIP PIN TO: ...
- 50) CHIP PIN TO: ...
- 51) CHIP PIN TO: ...
- 52) CHIP PIN TO: ...
- 53) CHIP PIN TO: ...
- 54) CHIP PIN TO: ...
- 55) CHIP PIN TO: ...
- 56) CHIP PIN TO: ...

MAIN PWB ASSY (1/2)
SGJ-1561A-M2: AV-N29F45/S
SGJ-1562A-M2: AV-N29F45/Z

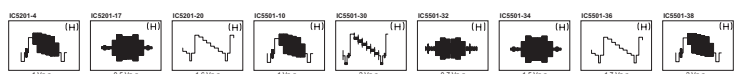
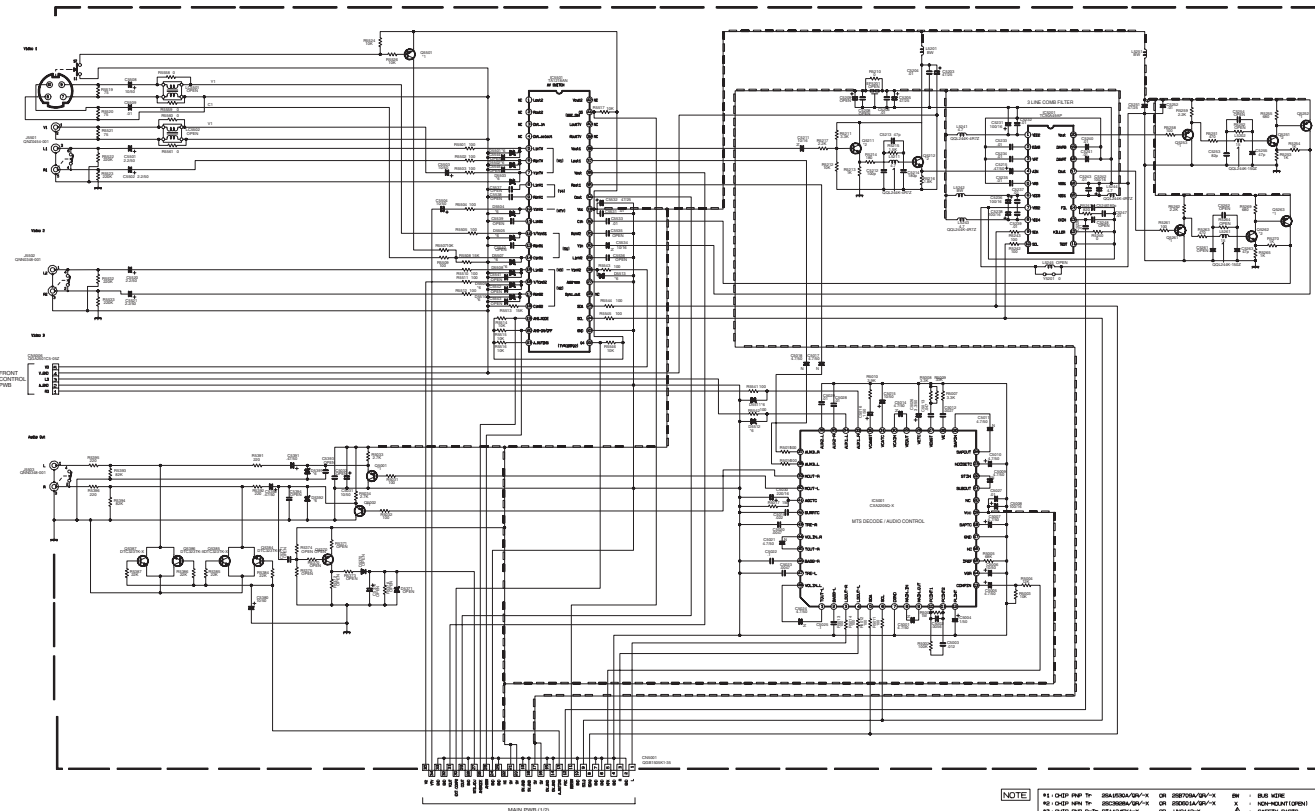
No.YA058

2-5

2-6

No.YA058

AV SELECTOR PWB CIRCUIT DIAGRAM SHEET 3



NOTE

- *1 - D-CHIP PWP TP: 25A102A/25V-X OR 25P20A/25V-X OR - 8.0 WIRE
- *2 - D-CHIP NPN TP: 25C282A/25V-X OR 25C281A/25V-X A : NON-INDICATED
- *3 - D-CHIP NPN D-TP: 25L282A/25V-X OR 25L281A/25V-X Δ : SAFETY PARTS
- *4 - D-CHIP NPN D-TP: 25L282A/25V-X OR 25L281A/25V-X ○ : 0 Ω RESISTOR
- *5 - RES CODE: 25R100/25V
- *6 - 20-STEP CODE: WTS, 20-10
- *7 - 20-STEP CODE: WTS, 10-10
- *8 - 22 CODE: 25R22J-20V-10 OR 25R22J-10V-10
- *9 - 22 CODE: 25R22J-10V-10 OR 25R22J-10V-10
- *10 - PWP TP: 25A102A/25V_3

MODE PIN NO.	DC (V)	MODE PIN NO.	DC (V)
1	4	41	8.8
2	4.1	42	4.9
3	4	43	1.8
4	4	44	4.5
5	5.9	45	2
6	3.7	46	3.1
7	0	47	2.3
8	4	48	1.8
9	4	49	4.9
10	4	50	0
11	3.9	51	4.9
12	5.1	52	3.9
13	4	53	3.7
14	1.2	54	0
15	0	55	0
16	0	56	2.5
17	0	57	1.8
18	3	58	4.9
19	8.8	59	0
20	0	60	2.3
21	0	61	3.1
22	4	62	1.8
23	4.1	63	2.5
24	3.8	64	0
25	4	65	4.7
26	3.9	66	0
27	4	67	4
28	1.7	68	4.7
29	4	69	0
30	4	70	0
31	1.6	71	4
32	4	72	5.2
33	4	73	3.9
34	4	74	8.8
35	4	75	6.6
36	4	76	5.2
37	4	77	4
38	4	78	3.9
39	4	79	5.9
40	4	80	2.4
41	0.5	81	5.1
42	4	82	0
43	0	83	3
44	4	84	2.3
45	4	85	8.8
46	0	86	6.6
47	4	87	8.8
48	4	88	6.6
49	0.5	89	2.4
50	5.1	90	3.1
51	5.1	91	5
52	5.1	92	8.8
53	5.1	93	3.9
54	5.1	94	8.8
55	5.1	95	0
56	5.1	96	0
57	5.1	97	0
58	5.1	98	0
59	5.1	99	0
60	5.1	100	0
61	5.1	101	0
62	5.1	102	0
63	5.1	103	0
64	5.1	104	0
65	5.1	105	0
66	5.1	106	0
67	5.1	107	0
68	5.1	108	0
69	5.1	109	0
70	5.1	110	0
71	5.1	111	0
72	5.1	112	0
73	5.1	113	0
74	5.1	114	0
75	5.1	115	0
76	5.1	116	0
77	5.1	117	0
78	5.1	118	0
79	5.1	119	0
80	5.1	120	0
81	5.1	121	0
82	5.1	122	0
83	5.1	123	0
84	5.1	124	0
85	5.1	125	0
86	5.1	126	0
87	5.1	127	0
88	5.1	128	0
89	5.1	129	0
90	5.1	130	0
91	5.1	131	0
92	5.1	132	0
93	5.1	133	0
94	5.1	134	0
95	5.1	135	0
96	5.1	136	0
97	5.1	137	0
98	5.1	138	0
99	5.1	139	0
100	5.1	140	0

AV SELECTOR PWB ASS'Y
SGJ-5506A-M2

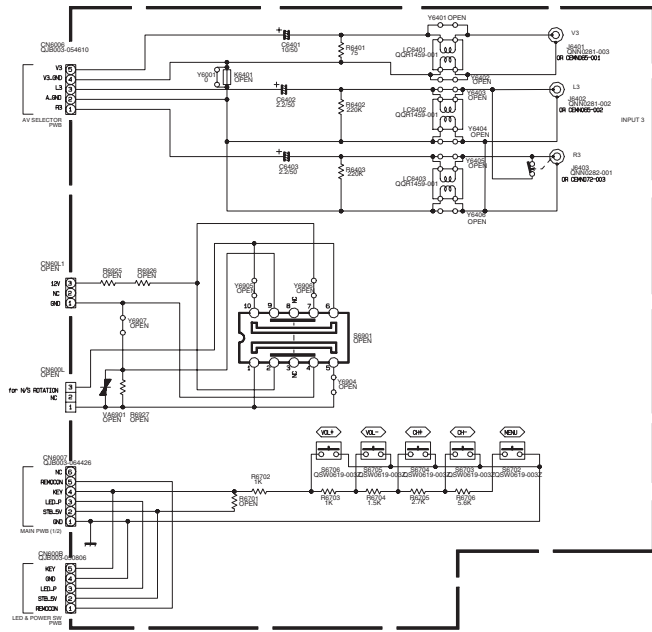
No.YA058

2-9

2-10

No.YA058

FRONT CONTROL PWB CIRCUIT DIAGRAM SHEET 5

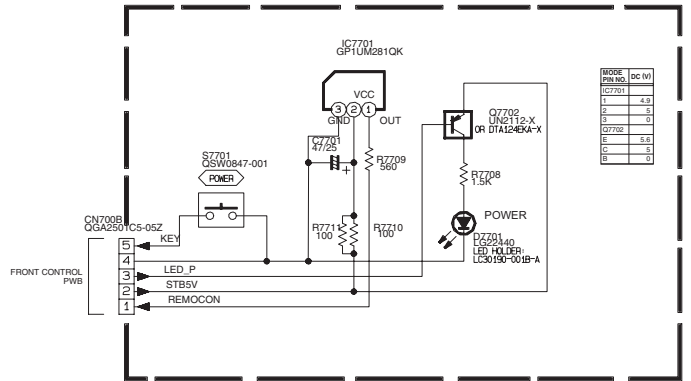


FRONT CONTROL PWB ASSY
SGJ-6506A-M2

No.YA058

2-13

LED & POWER SW PWB CIRCUIT DIAGRAM SHEET 5



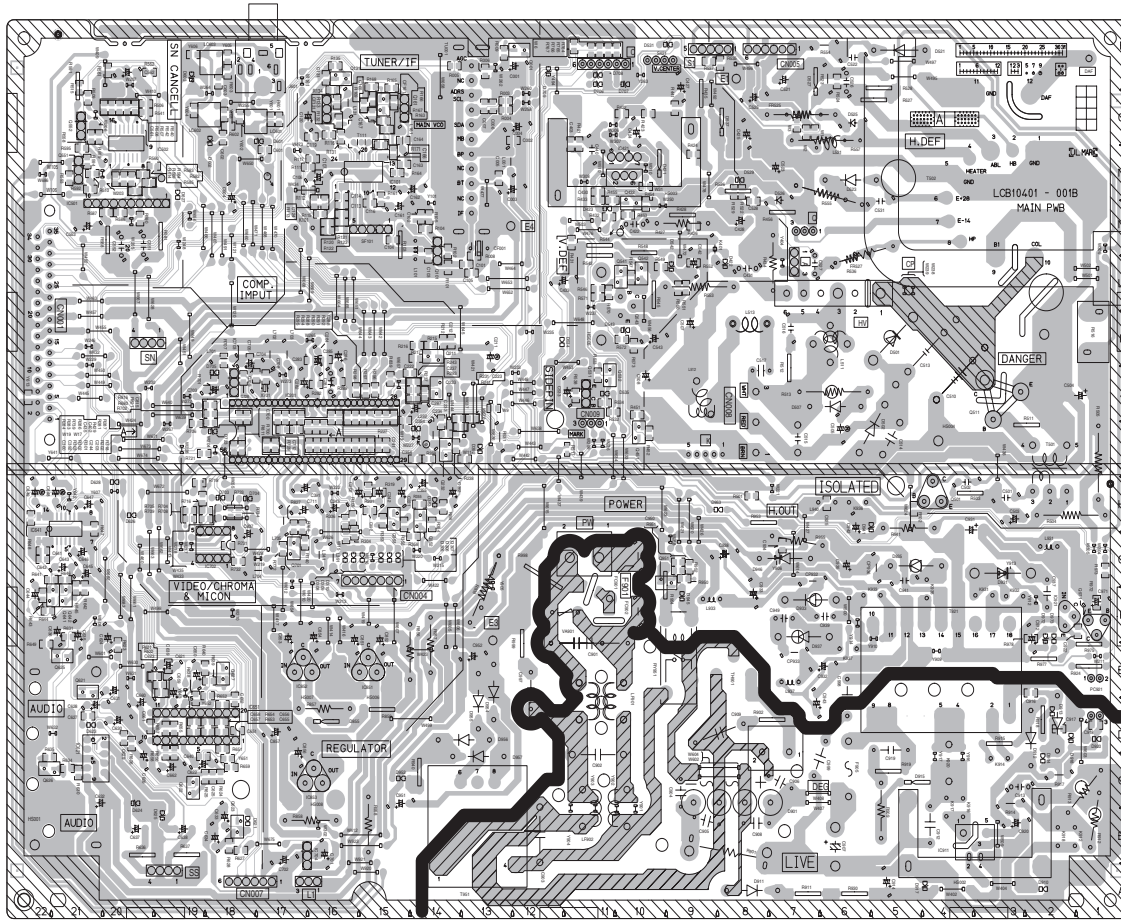
LED & POWER SW PWB ASSY
SGJ-7506A-M2

No.YA058

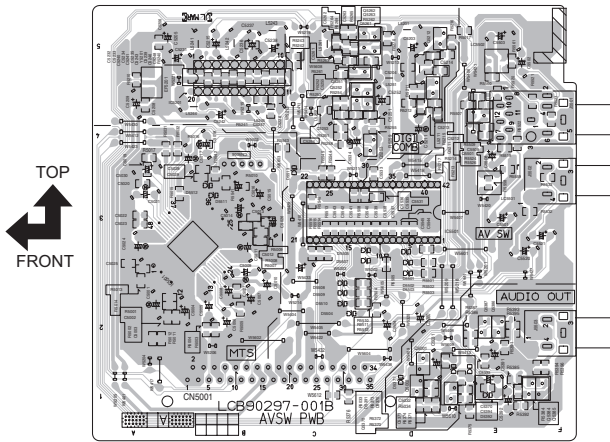
2-14

PATTERN DIAGRAMS
MAIN PWB PATTERN

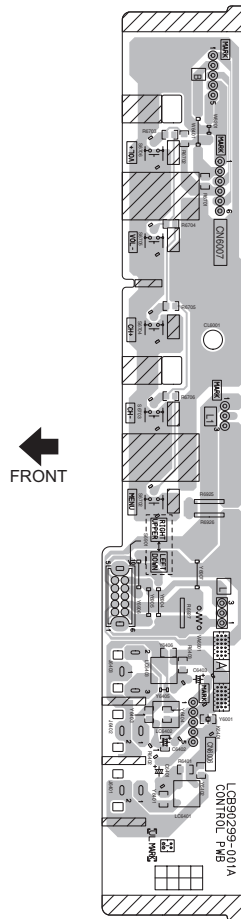
↓
FRONT



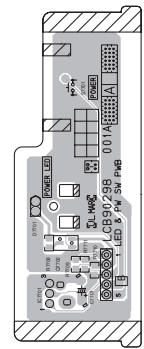
AV SELECTOR PWB PATTERN



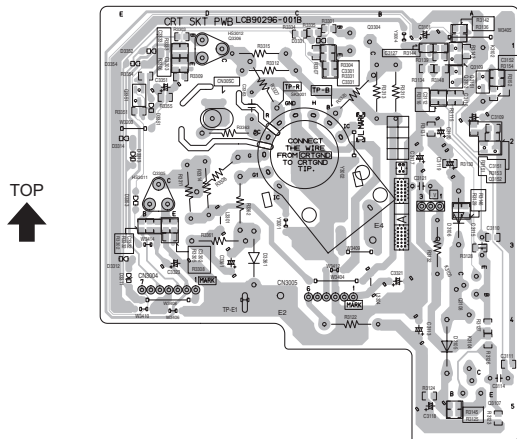
FRONT CONTROL PWB PATTERN



LED & POWER SW PWB PATTERN



CRT SOCKET PWB PATTERN



CHANNEL CHART (US)

MODE		BAND	CHANNEL		TUNER BAND
TV	CATV		REAL	DISP.	
○	○	VL	02	I	
			03		
			04		
		05			
		06			
		07			
	VH	08	II		
		09			
		10			
		11			
		12			
		13			
		×		○	MID
B	15				
C	16				
D	17				
E	18				
F	19				
SUPER	G		20		II
	H		21		
	I		22		
	J		23		
	K		24		
	L		25		
	M		26		
	N		27		
	O		28		
	P		29		
	Q		30		
	R		31		
S	32				
T	33				
U	34				
V	35				
W	36				
HYPER	W+1		37	IV	
	W+2		38		
	W+3		39		
	W+4		40		
	W+5		41		
	W+6		42		
	W+7		43		
	W+8		44		
	W+9		45		
	W+10		46		
	W+11		47		
	W+12		48		
	W+13		49		
	W+14	50			
	W+15	51			
	W+16	52			
	W+17	53			
	W+18	54			
W+19	55				
W+20	56				
W+21	57				
W+22	58				
W+23	59				
W+24	60				
W+25	61				
W+26	62				
W+27	63				
W+28	64				
ULTRA	W+29	65			
	W+30	66			
	W+31	67			
	W+32	68			
	W+33	69			
	W+34	70			

MODE		BAND	CHANNEL		TUNER BAND
TV	CATV		REAL	DISP.	
×	○	ULTRA	W+35	71	IV
			W+36	72	
			W+37	73	
			W+38	74	
			W+39	75	
			W+40	76	
			W+41	77	
			W+42	78	
			W+43	79	
			W+44	80	
			W+45	81	
			W+46	82	
			W+47	83	
			W+48	84	
			W+49	85	
			W+50	86	
			W+51	87	
			W+52	88	
			W+53	89	
			W+54	90	
			W+55	91	
			W+56	92	
			W+57	93	
			W+58	94	
			W+59	100	
W+60	101				
W+61	102				
W+62	103				
W+63	104				
W+64	105				
W+65	106				
W+66	107				
W+67	108				
W+68	109				
W+69	110				
W+70	111				
W+71	112				
W+72	113				
W+73	114				
W+74	115				
W+75	116				
W+76	117				
W+77	118				
W+78	119				
W+79	120				
W+80	121				
W+81	122				
W+82	123				
W+83	124				
W+84	125				
○	×	SUB MID	A-8	01	I
			A-4	96	
			A-3	97	
			A-2	98	
			A-1	99	
○	×	UHF	14	IV	
			69		
TOTAL 180CH { VHF 124CH { UHF 56CH					
NOTE: TO RECEIVE THE SUBSCRIPTION OR PREMIUM PROGRAMMING FROM CERTAIN CABLE COMPANIES. SPECIAL ADAPTERS MAY BE REQUIRED.					

CHANNEL CHART (CA)

MODE		BAND	CHANNEL		TUNER BAND
TV	CATV		REAL	DISP.	
○	○	VL	02	I	
			03		
			04		
			05		
			06		
			07		
		VH	08		
			09		
			10		
			11		
			12		
			13		
			MID		A
B	15				
C	16				
D	17				
E	18				
F	19				
G	20				
H	21				
I	22				
SUPER	J	23			
	K	24			
	L	25			
	M	26			
	N	27			
	O	28			
	P	29			
	Q	30			
	R	31			
	S	32			
HYPER	T	33	III		
	U	34			
	V	35			
	W	36			
	W+1	37			
	W+2	38			
	W+3	39			
	W+4	40			
	W+5	41			
	W+6	42			
	W+7	43			
	W+8	44			
	W+9	45			
	W+10	46			
W+11	47				
W+12	48				
W+13	49				
W+14	50				
W+15	51				
W+16	52				
W+17	53				
W+18	54				
W+19	55				
W+20	56				
W+21	57				
W+22	58				
W+23	59				
W+24	60				
W+25	61				
W+26	62				
W+27	63				
W+28	64				
ULTRA	W+29	65	IV		
	W+30	66			
	W+31	67			
	W+32	68			
	W+33	69			
	W+34	70			

MODE		BAND	CHANNEL		TUNER BAND
TV	CATV		REAL	DISP.	
×	○	ULTRA	W+35	71	IV
			W+36	72	
			W+37	73	
			W+38	74	
			W+39	75	
			W+40	76	
			W+41	77	
			W+42	78	
			W+43	79	
			W+44	80	
			W+45	81	
			W+46	82	
			W+47	83	
			W+48	84	
			W+49	85	
			W+50	86	
			W+51	87	
			W+52	88	
			W+53	89	
			W+54	90	
			W+55	91	
			W+56	92	
			W+57	93	
			W+58	94	
			W+59	100	
W+60	101				
W+61	102				
W+62	103				
W+63	104				
W+64	105				
W+65	106				
W+66	107				
W+67	108				
W+68	109				
W+69	110				
W+70	111				
W+71	112				
W+72	113				
W+73	114				
W+74	115				
W+75	116				
W+76	117				
W+77	118				
W+78	119				
W+79	120				
W+80	121				
W+81	122				
W+82	123				
W+83	124				
W+84	125				
○	×	SUB MID	A-8	01	I
			A-4	96	
			A-3	97	II
			A-2	98	
○	×	UHF	14	IV	
			69		
TOTAL 180CH { VHF 124CH { UHF 56CH					
NOTE: TO RECEIVE THE SUBSCRIPTION OR PREMIUM PROGRAMMING FROM CERTAIN CABLE COMPANIES. SPECIAL ADAPTERS MAY BE REQUIRED.					



JVC

VICTOR COMPANY OF JAPAN, LIMITED

AV & MULTIMEDIA COMPANY VIDEO DISPLAY CATEGORY 12, 3-chome, Moriya-cho, kanagawa-ku, Yokohama, kanagawa-prefecture, 221-8528, Japan

(No.YA058)



Printed in Japan
WPC

PARTS LIST

CAUTION

- The parts identified by the Δ symbol are important for the safety . Whenever replacing these parts, be sure to use specified ones to secure the safety.
- The parts not indicated in this Parts List and those which are filled with lines --- in the Parts No. columns will not be supplied.
- P.W. BOARD Ass'y will not be supplied, but those which are filled with the Parts No. in the Parts No. columns will be supplied.

ABBREVIATIONS OF RESISTORS, CAPACITORS AND TOLERANCES

RESISTORS		CAPACITORS	
CR	Carbon Resistor	C CAP.	Ceramic Capacitor
FR	Fusible Resistor	E CAP.	Electrolytic Capacitor
PR	Plate Resistor	M CAP.	Mylar Capacitor
VR	Variable Resistor	CH CAP.	Chip Capacitor
HV R	High Voltage Resistor	HV CAP.	High Voltage Capacitor
MF R	Metal Film Resistor	MF CAP.	Metalized Film Capacitor
MG R	Metal Glazed Resistor	MM CAP.	Metalized Mylar Capacitor
MP R	Metal Plate Resistor	MP CAP.	Metalized Polystyrol Capacitor
OM R	Metal Oxide Film Resistor	PP CAP.	Polypropylene Capacitor
CMF R	Coating Metal Film Resistor	PS CAP.	Polystyrol Capacitor
UNF R	Non-Flammable Resistor	TF CAP.	Thin Film Capacitor
CH V R	Chip Variable Resistor	MPP CAP.	Metalized Polypropylene Capacitor
CH MG R	Chip Metal Glazed Resistor	TAN. CAP.	Tantalum Capacitor
COMP. R	Composition Resistor	CH C CAP.	Chip Ceramic Capacitor
LPTC R	Linear Positive Temperature Coefficient Resistor	BP E CAP.	Bi-Polar Electrolytic Capacitor
		CH AL E CAP.	Chip Aluminum Electrolytic Capacitor
		CH AL BP CAP.	Chip Aluminum Bi-Polar Capacitor
		CH TAN. E CAP.	Chip Tantalum Electrolytic Capacitor
		CH AL BP E CAP.	Chip Tantalum Bi-Polar Electrolytic Capacitor

RESISTORS									
F	G	J	K	M	N	R	H	Z	P
±1%	±2%	±5%	±10%	±20%	±30%	+30% -10%	+50% -10%	+80% -20%	+100% -0%

CONTENTS

USING P.W. BOARD & REMOTE CONTROL UNIT	3-2
EXPLODED VIEW PARTS LIST -1	3-3
EXPLODED VIEW -1	3-3
EXPLODED VIEW PARTS LIST -2	3-4
EXPLODED VIEW -2	3-5
PRINTED WIRING BOARD PARTS LIST [AV-N29F45/S]	3-6
MAIN P.W. BOARD ASS'Y (SGJ-1561A-M2)	3-6
CRT SOCKET P.W. BOARD ASS'Y (SGJ-3511A-M2)	3-9
AV SELECTOR P.W. BOARD ASS'Y (SGJ-5506A-M2)	3-9
FRONT CONTROL P.W. BOARD ASS'Y (SGJ-6506A-M2)	3-11
LED & POWER SW P.W. BOARD ASS'Y (SGJ-7506A-M2)	3-11
PRINTED WIRING BOARD PARTS LIST [AV-N29F45/Z]	3-12
MAIN P.W. BOARD ASS'Y (SGJ-1562A-M2)	3-12
CRT SOCKET P.W. BOARD ASS'Y (SGJ-3512A-M2)	3-15
AV SELECTOR P.W. BOARD ASS'Y (SGJ-5506A-M2)	3-15
FRONT CONTROL P.W. BOARD ASS'Y (SGJ-6506A-M2)	3-15
LED & POWER SW P.W. BOARD ASS'Y (SGJ-7506A-M2)	3-15
REMOTE CONTROL UNIT PARTS LIST (RM-C1258G-1H)	3-15
PACKING	3-16
PACKING PARTS LIST	3-16

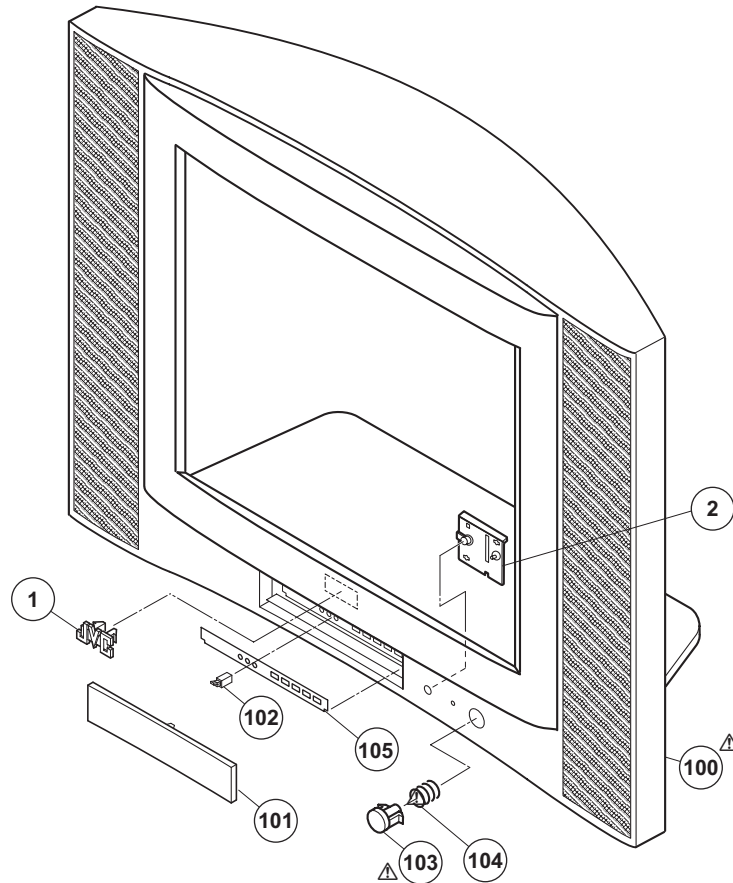
USING P.W. BOARD & REMOTE CONTROL UNIT

P.W.B ASS'Y NAME	AV-N29F45/S	AV-N29F45/Z
MAIN P.W.B	SGJ-1561A-M2	SGJ-1562A-M2
CRT SOCKET P.W.B	SGJ-3511A-M2	SGJ-3512A-M2
AV SELECTOR P.W.B	SGJ-5506A-M2	←
FRONT CONTROL P.W.B	SGJ-6506A-M2	←
LED & POWER SW P.W.B	SGJ-7506A-M2	←
REMOTE CONTROL UNIT	RM-C1258G-1H	←

EXPLODED VIEW PARTS LIST -1

△ Ref.No.	Part No.	Part Name	Description	Local
1	LC41193-003A-C	JVC MARK		
2	LC32242-001A-A	RC LENS		
△ 100	LC11556-004A-A	FRONT CABI ASSY	Inc.No.101-105	
101	LC21239-001D-A	DOOR		
102	CM48229-00A-C	DOOR LATCH		
△ 103	LC32240-001A-A	POWER KNOB		
104	CM36481-002A-A	SPRING		
105	LC32241-001B-A	OPERATION SHEET		

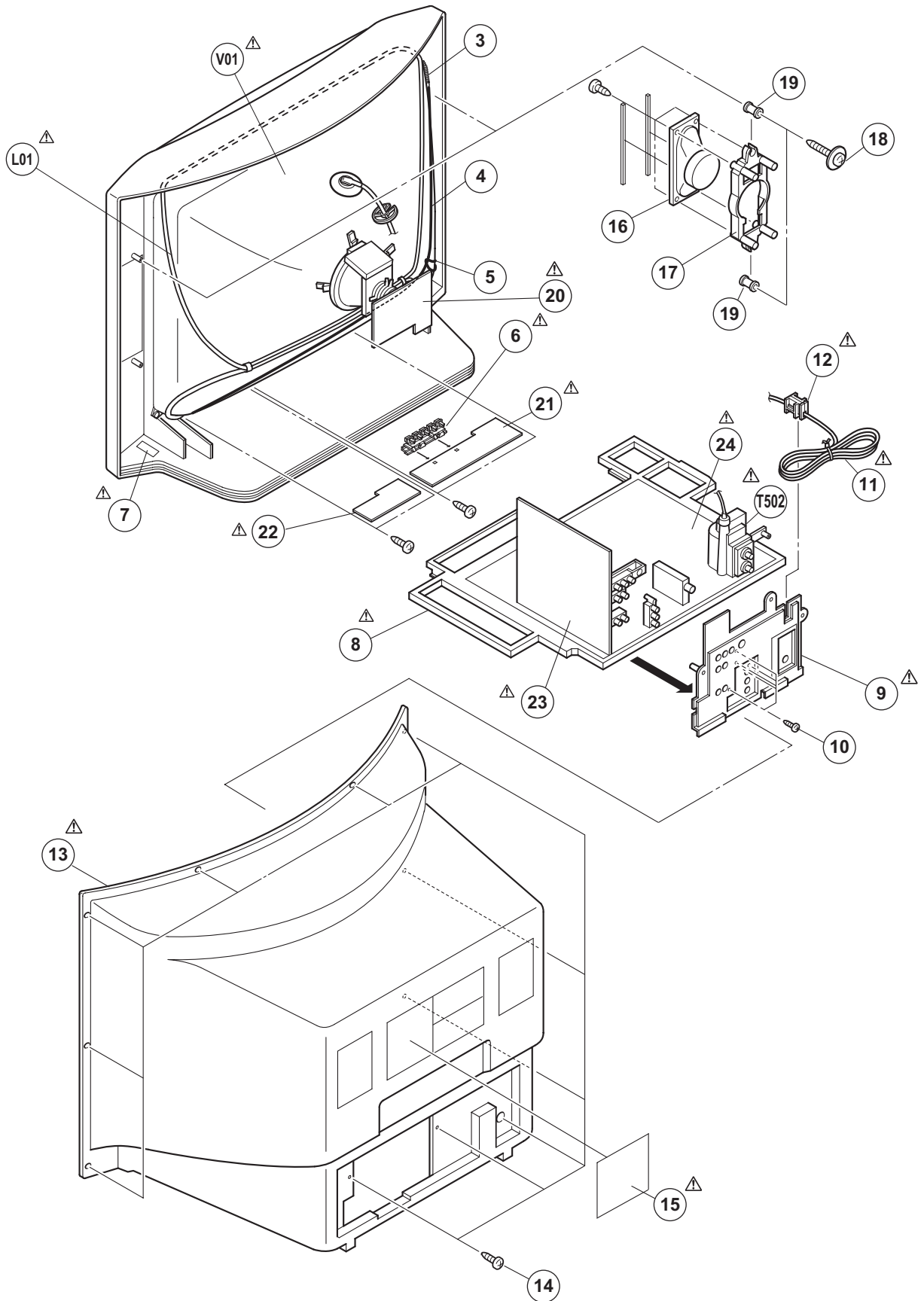
EXPLODED VIEW -1



EXPLODED VIEW PARTS LIST -2

△ Ref.No.	Part No.	Part Name	Description	Local
△ V01	A68QCP693X002	ITC	Inc.DEF YOKE/PC MAGNET/WEDGE	AV-N29F45/S
△ V01	A68QCU770X78Q	ITC	Inc.DEF YOKE/PC MAGNET/WEDGE	AV-N29F45/Z
△ L01	QQW0090-001	DEG COIL		
△ T502	QQH0154-001	FB TRANSF		
△ 3	A48457-4-S	SPRING		
△ 4	WJY0016-001A	E BRAIDED ASSY		
△ 5	WJY0013-003A	E-BRAIDED ASSY		
△ 6	LC21260-001B-A	CONTROL KNOB		
△ 7	GQ30034-001B-A	WARNING LABEL		
△ 8	LC10883-001D-A	CHASSIS BASE		
△ 9	LC20899-006A-A	TERMINAL BOARD		
△ 10	QYSBSB3010Z	TAP SCREW	3.0mm x 10mm(x4)	
△ 11	QMPD390-200-JS	POWER CORD(US/CA)	2m BLACK	
△ 12	LC20106-001D-A	POWER CORD CLAMP		
△ 13	LC11555-001D-A	REAR COVER		
△ 14	QYSBSFG4016Z	TAP SCREW	4.0mm x 16mm(x11)	
△ 15	GQ20001-001A-A	RATING LABEL		
△ 16	QAS0243-001	SPEAKER	SP01/SP02(x2)	
△ 17	LC21261-001B-A	SP HOLDER	(x2)	
△ 18	LC41029-001B-A	TAPPING SCREW	(x4)	
△ 19	LC40226-003A-H	SPACER	(x4)	
△ 20	SGJ-3511A-M2	CRT SOCKET PWB		AV-N29F45/S
△ 20	SGJ-3512A-M2	CRT SOCKET PWB		AV-N29F45/Z
△ 21	SGJ-6506A-M2	FRONT CONTROL PWB		
△ 22	SGJ-7506A-M2	LED & POWER SW PWB		
△ 23	SGJ-5506A-M2	AV SELECTOR PWB		
△ 24	SGJ-1561A-M2	MAIN PWB		AV-N29F45/S
△ 24	SGJ-1562A-M2	MAIN PWB		AV-N29F45/Z

EXPLODED VIEW -2



PRINTED WIRING BOARD PARTS LIST [AV-N29F45/s]

MAIN P.W. BOARD ASS'Y (SGJ-1561A-M2)

△Ref No.	Part No.	Part Name	Description	Local	△Ref No.	Part No.	Part Name	Description	Local
IC101	M52342FP-X	IC			D915	SARS01-T2	SI DIODE		
IC201	TM8812CSDNG5DB9	IC(MCU)			D917	MTZJ30A-T2	Z DIODE		
IC421	LA78041	IC			D918	MTZJ5.1C-T2	Z DIODE		
IC621	TFA9843J/N1	IC			D920	1SS133-T2	DIODE		
IC641	NJM2701M-X	IC			D931	RU4AM-LFT2	SI DIODE		
IC651	NJM2150AD	IC			D933	RU3YX-LFC4	SI DIODE		
IC702	AT24C08-27F485	IC	(SERVICE)		D935	RU3YX-LFC4	SI DIODE		
IC703	S-80840CNY-T	IC			D937	RU3YX-LFC4	SI DIODE		
IC704	AN78L05-T	IC			D941	MTZJ33A-T2	Z DIODE		
IC851	L7812CP	IC			D945	MTZJ9.1B-T2	Z DIODE		
IC852	L7809CP	IC			D952	1SS133-T2	DIODE		
IC853	L7805CP	IC			D953	1SS133-T2	DIODE		
△IC911	STR-G9626-F3	IC			D954	1N4002G-T2	FR DIODE		
△IC921	SE135N	IC			D955	1N4002G-T2	FR DIODE		
Q001	UN2212-X	TRANSISTOR			D956	1N4002G-T2	FR DIODE		
Q101	2SC5083/L-P/T	TRANSISTOR			D957	1N4002G-T2	FR DIODE		
Q131	2SA1530A/QR/-X	TRANSISTOR			D972	MTZJ15C-T2	Z DIODE		
Q161	2SC3928A/QR/-X	TRANSISTOR			D973	1SS133-T2	DIODE		
Q211	2SC3928A/QR/-X	TRANSISTOR			C001	QETN1HM-475Z	E CAPACITOR	4.7uF 50V M	
Q232	2SC3928A/QR/-X	TRANSISTOR			C003	QETN1HM-106Z	E CAPACITOR	10uF 50V M	
Q233	2SC3928A/QR/-X	TRANSISTOR			C004	QETN0JM-477Z	E CAPACITOR	470uF 6.3V M	
Q352	2SC3928A/QR/-X	TRANSISTOR			C005	NCB31HK-103X	C CAPACITOR	0.01uF 50V K	
Q353	2SC3928A/QR/-X	TRANSISTOR			C101	NCB31HK-103X	C CAPACITOR	0.01uF 50V K	
Q501	2SC4212/Z1	TRANSISTOR			C102	NCB31HK-103X	C CAPACITOR	0.01uF 50V K	
△Q511	2SD2645-YD	TRANSISTOR	H.OUT		C104	NCB31HK-103X	C CAPACITOR	0.01uF 50V K	
△Q531	2SC2785/JH-T	SI TRANSISTOR			C105	NCB31HK-103X	C CAPACITOR	0.01uF 50V K	
Q532	2SA1530A/QR/-X	TRANSISTOR			C106	QETN1EM-476Z	E CAPACITOR	47uF 25V M	
Q541	2SA1530A/QR/-X	TRANSISTOR			C107	NCB31HK-103X	C CAPACITOR	0.01uF 50V K	
Q542	2SA1530A/QR/-X	TRANSISTOR			C113	NCB31HK-103X	C CAPACITOR	0.01uF 50V K	
Q543	2SD1267A/QP/	POW TRANSISTOR			C114	NCB31HK-103X	C CAPACITOR	0.01uF 50V K	
Q621	2SD601A/QR/-X	TRANSISTOR			C116	NCB31CK-224X	C CAPACITOR	0.22uF 16V K	
Q622	2SD601A/QR/-X	TRANSISTOR			C119	NDC31HJ-681X	C CAPACITOR	680pF 50V J	
Q623	2SA1530A/QR/-X	TRANSISTOR			C120	QETN1HM-474Z	E CAPACITOR	0.47uF 50V M	
Q625	2SD601A/QR/-X	TRANSISTOR			C124	NCB31HK-103X	C CAPACITOR	0.01uF 50V K	
Q641	2SC3928A/QR/-X	TRANSISTOR			C131	NCB31HK-103X	C CAPACITOR	0.01uF 50V K	
Q642	2SC3928A/QR/-X	TRANSISTOR			C161	QETN1HM-106Z	E CAPACITOR	10uF 50V M	
Q701	2SA1530A/QR/-X	TRANSISTOR			C162	QETN1HM-106Z	E CAPACITOR	10uF 50V M	
Q951	2SD1383K/AB/-X	SI TRANSISTOR			C163	NDC31HJ-470X	C CAPACITOR	47pF 50V J	
Q971	2SA1208/ST/Z1-T	TRANSISTOR			C164	NDC31HJ-470X	C CAPACITOR	47pF 50V J	
D305	1SS133-T2	DIODE			C165	NCB31HK-103X	C CAPACITOR	0.01uF 50V K	
D306	1SS133-T2	DIODE			C166	NCB31HK-103X	C CAPACITOR	0.01uF 50V K	
D307	1SS133-T2	DIODE			C167	NCB31HK-103X	C CAPACITOR	0.01uF 50V K	
D308	1SS133-T2	DIODE			C202	QETN1HM-105Z	E CAPACITOR	1uF 50V M	
D309	1SS133-T2	DIODE			C203	NCB31HK-152X	C CAPACITOR	1500pF 50V K	
D310	1SS133-T2	DIODE			C211	QENC1CM-106Z	BP E CAPACITOR	10uF 50V M	
D352	MTZJ9.1C-T2	Z DIODE			C212	NDC31HJ-100X	C CAPACITOR	10pF 50V J	
D353	1SS133-T2	DIODE			C221	QETN1HM-106Z	E CAPACITOR	10uF 50V M	
D354	MTZJ3.3A-T2	Z DIODE			C222	NCF31AZ-105X	C CAPACITOR	1uF 10V Z	
D421	1N4003-T2	SI DIODE			C223	NCB31HK-103X	C CAPACITOR	0.01uF 50V K	
D422	MTZJ75-T2	Z DIODE			C233	NDC31HJ-680X	C CAPACITOR	68pF 50V J	
D501	RH3G-F1	SI DIODE			C237	NCB31HK-103X	C CAPACITOR	0.01uF 50V K	
D502	RU3AM-LFC4	SI DIODE			C241	NCB31HK-103X	C CAPACITOR	0.01uF 50V K	
D521	RH1S-T3	SI DIODE			C242	QETN1HM-225Z	E CAPACITOR	2.2uF 50V M	
D523	RGP10J-04TS-T3	SI DIODE			C243	QETN0JM-227Z	E CAPACITOR	220uF 6.3V M	
D525	1SS81-T5	SI DIODE			C244	NCB31HK-103X	C CAPACITOR	0.01uF 50V K	
D526	1SS81-T5	SI DIODE			C281	QFVF1HJ-474Z	MF CAPACITOR	0.47uF 50V J	
D527	1SR124-400A-T2	SI DIODE			C282	QETN1CM-107Z	E CAPACITOR	100uF 16V M	
D529	MTZJ9.1C-T2	Z DIODE			C283	NCB31HK-103X	C CAPACITOR	0.01uF 50V K	
△D531	MA4068N/Z1-T2	Z DIODE			C284	QETN1HM-225Z	E CAPACITOR	2.2uF 50V M	
D535	1SS133-T2	DIODE			C285	NCB31HK-103X	C CAPACITOR	0.01uF 50V K	
D601	MTZJ9.1C-T2	Z DIODE			C286	QETN1HM-474Z	E CAPACITOR	0.47uF 50V M	
D602	MTZJ9.1C-T2	Z DIODE			C287	QETN1CM-107Z	E CAPACITOR	100uF 16V M	
D603	MTZJ9.1C-T2	Z DIODE			C288	NCB31HK-103X	C CAPACITOR	0.01uF 50V K	
D621	1SS133-T2	DIODE			C302	NCB31EK-104X	C CAPACITOR	0.1uF 25V K	
D623	1SS133-T2	DIODE			C352	QETN1EM-476Z	E CAPACITOR	47uF 25V M	
D626	1SS133-T2	DIODE			C354	NCB31HK-103X	C CAPACITOR	0.01uF 50V K	
D703	MTZJ5.6B-T2	Z DIODE			C360	NCB31HK-103X	C CAPACITOR	0.01uF 50V K	
D704	MTZJ5.6B-T2	Z DIODE			C391	QETN1CM-107Z	E CAPACITOR	100uF 16V M	
D705	1SS133-T2	DIODE			C392	NCB31HK-103X	C CAPACITOR	0.01uF 50V K	
D706	MTZJ5.6B-T2	Z DIODE			C422	QFN32AK-102Z	M CAPACITOR	1000pF 100V K	
D707	MTZJ5.6B-T2	Z DIODE			C424	QETN1VM-107Z	E CAPACITOR	100uF 35V M	
D708	MTZJ5.6B-T2	Z DIODE			C425	QETN1VM-477Z	E CAPACITOR	470uF 35V M	
D709	MTZJ5.6B-T2	Z DIODE			C427	QETN1HM-225Z	E CAPACITOR	2.2uF 50V M	
D723	MTZJ5.6B-T2	Z DIODE			C428	QETM1EM-228	E CAPACITOR	2200uF 25V M	
△D901	GSIB460	BRIDGE DIODE			C431	QFLC2AK-563Z	M CAPACITOR	0.056uF 100V K	
D910	MA700A-T2	SB DIODE			C433	QETN1EM-476Z	E CAPACITOR	47uF 25V M	
D911	RGP10J-04TS-T3	SI DIODE			C435	NCB21HK-183X	C CAPACITOR	0.018uF 50V K	
D912	RGP10J-04TS-T3	SI DIODE			C440	QCS32HJ-100Z	C CAPACITOR	10pF 500V J	
D913	1SS133-T2	DIODE			C501	QCB32HK-151Z	C CAPACITOR	150pF 500V K	
D914	1SS133-T2	DIODE			C502	QCB32HK-331Z	C CAPACITOR	330pF 500V K	
					C503	QHR2CM-105Z	E CAPACITOR	1uF 160V M	
					C504	QEZ0203-107	E CAPACITOR	100uF 160V M	
					C507	QEM61HK-475Z	E CAPACITOR	4.7uF 50V K	

△Ref No.	Part No.	Part Name	Description Local	△Ref No.	Part No.	Part Name	Description Local
C508	QEM61HK-475Z	E CAPACITOR	4.7uF 50V K	C934	NDC31HJ-221X	C CAPACITOR	220pF 50V J
△C510	QFZ0200-482	MPP CAPACITOR	4800pF 1.5kV H	C935	QETN1VM-108Z	E CAPACITOR	1000uF 35V M
△C513	QFZ0196-113	MPP CAPACITOR	0.011uF 1.5kV H	C937	QCZ0340-102	C CAPACITOR	1000pF 2kV K
C514	QFP32GJ-183	PP CAPACITOR	0.018uF 400V J	C938	QETN1EM-477Z	E CAPACITOR	470uF 25V M
C515	QFZ0197-404	MPP CAPACITOR	0.4uF 250V J	C939	QCB32HK-152Z	C CAPACITOR	1500pF 500V K
C516	QCB32HK-561Z	C CAPACITOR	560pF 500V K	C941	QCB32HK-102Z	C CAPACITOR	1000pF 500V K
C521	QETN2EM-106Z	E CAPACITOR	10uF 250V M	C942	QEHR1HM-105Z	E CAPACITOR	1uF 50V M
C523	QEHR1VM-477Z	E CAPACITOR	470uF 35V M	C943	QETN1CM-108Z	E CAPACITOR	1000uF 16V M
C525	QETN1VM-107Z	E CAPACITOR	100uF 35V M	C951	QETN1EM-477Z	E CAPACITOR	470uF 25V M
C526	QFV21HJ-824Z	MF CAPACITOR	0.82uF 50V J	C952	QETN1CM-227Z	E CAPACITOR	220uF 16V M
C527	QFLC2AJ-103Z	M CAPACITOR	0.01uF 100V J	C971	QETN1CM-107Z	E CAPACITOR	100uF 16V M
C531	QCB32HK-471Z	C CAPACITOR	470pF 500V K	C972	QETN1EM-476Z	E CAPACITOR	47uF 25V M
C533	QETN1HM-106Z	E CAPACITOR	10uF 50V M	△C998	QCZ9073-33Z	C CAPACITOR	3300pF 250V M
C601	NCB31CK-224X	C CAPACITOR	0.22uF 16V K	△C999	CH41005-H-10C	FORMING BUS WIR	
C602	NCB31CK-104X	C CAPACITOR	0.1uF 16V K	R003	NRSA63J-101X	MG RESISTOR	100Ω 1/16W J
C603	NCB31CK-104X	C CAPACITOR	0.1uF 16V K	R004	NRSA63J-101X	MG RESISTOR	100Ω 1/16W J
C604	QETN1HM-106Z	E CAPACITOR	10uF 50V M	R005	NRSA63J-0R0X	MG RESISTOR	0Ω 1/16W J
C621	QETN1HM-106Z	E CAPACITOR	10uF 50V M	R006	NRSA63J-223X	MG RESISTOR	22kΩ 1/16W J
C622	QETN1HM-106Z	E CAPACITOR	10uF 50V M	R008	NRSA63J-820X	MG RESISTOR	82Ω 1/16W J
C624	QETN1HM-475Z	E CAPACITOR	4.7uF 50V M	R009	NRSA63J-682X	MG RESISTOR	6.8kΩ 1/16W J
C626	QETN1HM-475Z	E CAPACITOR	4.7uF 50V M	R101	NRSA63J-562X	MG RESISTOR	5.6kΩ 1/16W J
C627	NCF21CZ-105X	C CAPACITOR	1uF 16V Z	R102	NRSA63J-182X	MG RESISTOR	1.8kΩ 1/16W J
C628	QETN1HM-226Z	E CAPACITOR	22uF 50V M	R103	QRE121J-101Y	C RESISTOR	100Ω 1/2W J
C629	NCF21CZ-105X	C CAPACITOR	1uF 16V Z	R104	NRSA63J-180X	MG RESISTOR	18Ω 1/16W J
C630	QETN1EM-227Z	E CAPACITOR	220uF 25V M	R105	NRSA63J-270X	MG RESISTOR	27Ω 1/16W J
C632	QETN1EM-477Z	E CAPACITOR	470uF 25V M	R111	NRSA63J-394X	MG RESISTOR	390kΩ 1/16W J
C633	QETN1EM-227Z	E CAPACITOR	220uF 25V M	R112	NRSA63J-334X	MG RESISTOR	330kΩ 1/16W J
C634	QETN1HM-106Z	E CAPACITOR	10uF 50V M	R113	NRSA63J-101X	MG RESISTOR	100Ω 1/16W J
C635	QETN1HM-105Z	E CAPACITOR	1uF 50V M	R115	NRSA63J-101X	MG RESISTOR	100Ω 1/16W J
C637	QETN1EM-108Z	E CAPACITOR	1000uF 25V M	R116	NRSA63J-680X	MG RESISTOR	68Ω 1/16W J
C638	QETN1EM-108Z	E CAPACITOR	1000uF 25V M	R117	NRSA63J-273X	MG RESISTOR	27kΩ 1/16W J
C641	NCB31HK-472X	C CAPACITOR	4700pF 50V K	R120	NRSA63J-104X	MG RESISTOR	100kΩ 1/16W J
C642	NCB31CK-273X	C CAPACITOR	0.027uF 16V K	R121	NRSA63J-273X	MG RESISTOR	27kΩ 1/16W J
C643	QETN1HM-106Z	E CAPACITOR	10uF 50V M	R131	NRSA63J-102X	MG RESISTOR	1kΩ 1/16W J
C644	QETN1HM-106Z	E CAPACITOR	10uF 50V M	R132	NRSA63J-331X	MG RESISTOR	330Ω 1/16W J
C645	QETN1HM-105Z	E CAPACITOR	1uF 50V M	R133	NRSA63J-821X	MG RESISTOR	820Ω 1/16W J
C646	QETN1CM-107Z	E CAPACITOR	100uF 16V M	R134	NRSA63J-471X	MG RESISTOR	470Ω 1/16W J
C647	QETN1HM-106Z	E CAPACITOR	10uF 50V M	R135	NRSA63J-102X	MG RESISTOR	1kΩ 1/16W J
C648	QENC1CM-106Z	BP E CAPACITOR	10uF 16V M	R161	NRSA63J-332X	MG RESISTOR	3.3kΩ 1/16W J
C649	QENC1CM-106Z	BP E CAPACITOR	10uF 16V M	R163	NRSA63J-223X	MG RESISTOR	22kΩ 1/16W J
C651	NCF31AZ-105X	C CAPACITOR	1uF 10V Z	R164	NRSA63J-102X	MG RESISTOR	1kΩ 1/16W J
C652	NCF31AZ-105X	C CAPACITOR	1uF 10V Z	R165	NRSA63J-223X	MG RESISTOR	22kΩ 1/16W J
C655	NCB31HK-332X	C CAPACITOR	3300pF 50V K	R166	NRSA63J-103X	MG RESISTOR	10kΩ 1/16W J
C656	NCB31HK-332X	C CAPACITOR	3300pF 50V K	R167	NRSA63J-102X	MG RESISTOR	1kΩ 1/16W J
C657	NCB31HK-333X	C CAPACITOR	0.033uF 50V K	R168	NRSA63J-101X	MG RESISTOR	100Ω 1/16W J
C658	NCB31HK-333X	C CAPACITOR	0.033uF 50V K	R169	NRSA63J-561X	MG RESISTOR	560Ω 1/16W J
C659	QETN1HM-106Z	E CAPACITOR	10uF 50V M	R171	NRSA63J-333X	MG RESISTOR	33kΩ 1/16W J
C660	QETN1EM-476Z	E CAPACITOR	47uF 25V M	R201	NRSA63J-223X	MG RESISTOR	22kΩ 1/16W J
C661	NCB31HK-103X	C CAPACITOR	0.01uF 50V K	R212	NRSA63J-272X	MG RESISTOR	2.7kΩ 1/16W J
C662	QETN1HM-106Z	E CAPACITOR	10uF 50V M	R215	NRSA63J-562X	MG RESISTOR	5.6kΩ 1/16W J
C700	NCB31HK-102X	C CAPACITOR	1000pF 50V K	R216	NRSA63J-562X	MG RESISTOR	5.6kΩ 1/16W J
C701	QETN1HM-106Z	E CAPACITOR	10uF 50V M	R217	NRSA63J-102X	MG RESISTOR	1kΩ 1/16W J
C702	QETN1HM-106Z	E CAPACITOR	10uF 50V M	R227	NRSA63J-104X	MG RESISTOR	100kΩ 1/16W J
C703	QETN1HM-106Z	E CAPACITOR	10uF 50V M	R231	NRSA63J-182X	MG RESISTOR	1.8kΩ 1/16W J
C704	QETN1CM-107Z	E CAPACITOR	100uF 16V M	R237	NRSA63J-392X	MG RESISTOR	3.9kΩ 1/16W J
C705	NCB31HK-103X	C CAPACITOR	0.01uF 50V K	R238	NRSA63J-473X	MG RESISTOR	47kΩ 1/16W J
C708	NDC31HJ-220X	C CAPACITOR	22pF 50V J	R241	NRSA63J-332X	MG RESISTOR	3.3kΩ 1/16W J
C709	NDC31HJ-220X	C CAPACITOR	22pF 50V J	R243	NRSA63J-152X	MG RESISTOR	1.5kΩ 1/16W J
C711	QETN1CM-107Z	E CAPACITOR	100uF 16V M	R281	NRSA63J-182X	MG RESISTOR	1.8kΩ 1/16W J
C712	NCB31HK-103X	C CAPACITOR	0.01uF 50V K	R282	NRSA63J-392X	MG RESISTOR	3.9kΩ 1/16W J
C728	NCB31HK-103X	C CAPACITOR	0.01uF 50V K	R283	NRSA63J-681X	MG RESISTOR	680Ω 1/16W J
C807	QETN1AM-477Z	E CAPACITOR	470uF 10V M	R286	NRSA63J-472X	MG RESISTOR	4.7kΩ 1/16W J
C815	NCB31HK-103X	C CAPACITOR	0.01uF 50V K	R287	NRSA63J-101X	MG RESISTOR	100Ω 1/16W J
C851	QETN1EM-107Z	E CAPACITOR	100uF 25V M	R288	NRSA02J-471X	MG RESISTOR	470Ω 1/10W J
C852	QETN1CM-107Z	E CAPACITOR	100uF 16V M	R289	NRSA63J-154X	MG RESISTOR	150kΩ 1/16W J
C853	QETN1EM-227Z	E CAPACITOR	220uF 25V M	R290	NRSA02J-561X	MG RESISTOR	560Ω 1/10W J
C854	QETN1CM-227Z	E CAPACITOR	220uF 16V M	R292	NRSA63J-124X	MG RESISTOR	120kΩ 1/16W J
C856	QETN1CM-227Z	E CAPACITOR	220uF 16V M	R293	NRSA63J-224X	MG RESISTOR	220kΩ 1/16W J
C857	QETN0JM-477Z	E CAPACITOR	470uF 6.3V M	R296	NRSA63J-101X	MG RESISTOR	100Ω 1/16W J
△C901	QFZ9072-104	MM CAPACITOR	0.1uF AC250V K	R297	NRSA63J-101X	MG RESISTOR	100Ω 1/16W J
△C902	QFZ9072-473	MM CAPACITOR	0.047uF AC250V K	R298	NRSA63J-101X	MG RESISTOR	100Ω 1/16W J
△C903	QFZ9072-104	MM CAPACITOR	0.1uF AC250V K	R301	NRSA63J-222X	MG RESISTOR	2.2kΩ 1/16W J
△C904	QCZ9054-102	C CAPACITOR	1000pF AC250V Z	R302	NRSA63J-222X	MG RESISTOR	2.2kΩ 1/16W J
△C905	QCZ9054-102	C CAPACITOR	1000pF AC250V Z	R303	NRSA63J-222X	MG RESISTOR	2.2kΩ 1/16W J
△C906	QCZ9054-102	C CAPACITOR	1000pF AC250V Z	R304	NRSA63J-101X	MG RESISTOR	100Ω 1/16W J
C907	QEZ0644-567	E CAPACITOR	560uF 200V K	R305	NRSA63J-101X	MG RESISTOR	100Ω 1/16W J
△C908	QCZ9054-102	C CAPACITOR	1000pF AC250V Z	R306	NRSA63J-101X	MG RESISTOR	100Ω 1/16W J
C912	QCZ0340-222	C CAPACITOR	2200pF 2kV K	R318	NRSA63J-472X	MG RESISTOR	4.7kΩ 1/16W J
C913	QFLC1HJ-471Z	M CAPACITOR	470pF 50V J	R319	NRSA63J-102X	MG RESISTOR	1kΩ 1/16W J
C914	QETN1HM-107Z	E CAPACITOR	100uF 50V M	R352	NRSA63J-103X	MG RESISTOR	10kΩ 1/16W J
C916	NDC31HJ-331X	C CAPACITOR	330pF 50V J	R354	NRSA63J-0R0X	MG RESISTOR	0Ω 1/16W J
C917	NCB31HK-182X	C CAPACITOR	1800pF 50V K	R355	NRSA63J-0R0X	MG RESISTOR	0Ω 1/16W J
C918	NCB21HK-104X	C CAPACITOR	0.1uF 50V K	R356	NRSA63J-123X	MG RESISTOR	12kΩ 1/16W J
C919	QFP32GJ-103	PP CAPACITOR	0.01uF 400V J	R358	NRSA63J-333X	MG RESISTOR	33kΩ 1/16W J
C931	QEZ0203-227	E CAPACITOR	220uF 160V M	R359	NRSA63J-103X	MG RESISTOR	10kΩ 1/16W J
C932	QETN1EM-108Z	E CAPACITOR	1000uF 25V M	R421	NRSA63J-822X	MG RESISTOR	8.2kΩ 1/16W J
C933	QETN1EM-108Z	E CAPACITOR	1000uF 25V M				

△Ref No.	Part No.	Part Name	Description Local	△Ref No.	Part No.	Part Name	Description Local
R423	NRSA63J-393X	MG RESISTOR	39kΩ 1/16W J	R764	NRSA63J-221X	MG RESISTOR	220Ω 1/16W J
R424	NRSA63J-393X	MG RESISTOR	39kΩ 1/16W J	R765	NRSA63J-221X	MG RESISTOR	220Ω 1/16W J
R426	NRSA63J-183X	MG RESISTOR	18kΩ 1/16W J	R766	NRSA63J-221X	MG RESISTOR	220Ω 1/16W J
R427	QRT029J-1R5	MF RESISTOR	1.5Ω 2W J	R767	NRSA63J-221X	MG RESISTOR	220Ω 1/16W J
R429	NRSA63J-272X	MG RESISTOR	2.7kΩ 1/16W J	R769	NRSA63J-682X	MG RESISTOR	6.8kΩ 1/16W J
R431	NRSA63J-152X	MG RESISTOR	1.5kΩ 1/16W J	R772	NRSA63J-103X	MG RESISTOR	10kΩ 1/16W J
R432	NRSA63J-101X	MG RESISTOR	100Ω 1/16W J	R811	NRSA63J-101X	MG RESISTOR	100Ω 1/16W J
R433	NRSA63J-681X	MG RESISTOR	680Ω 1/16W J	R816	NRSA63J-124X	MG RESISTOR	120kΩ 1/16W J
R434	QRL029J-181	OMF RESISTOR	180Ω 2W J	R821	NRSA63J-184X	MG RESISTOR	180kΩ 1/16W J
R435	QRE121J-102Y	C RESISTOR	1kΩ 1/2W J	R827	NRSA63J-102X	MG RESISTOR	1kΩ 1/16W J
R441	NRSA63J-0R0X	MG RESISTOR	0Ω 1/16W J	R839	NRSA63J-225X	MG RESISTOR	2.2MΩ 1/16W J
R501	NRSA63J-0R0X	MG RESISTOR	0Ω 1/16W J	R857	QRL029J-820	OMF RESISTOR	82Ω 2W J
R502	NRSA63J-271X	MG RESISTOR	270Ω 1/16W J	R901	QRF074K-1R2	UNF WW RESISTOR	1.2Ω 7W K
R503	QRE121J-103Y	C RESISTOR	10kΩ 1/2W J	R909	QRG01GJ-470	OMF RESISTOR	47Ω 1W J
R504	QRL039J-222	OMF RESISTOR	2.2kΩ 3W J	R911	QRE121J-223Y	C RESISTOR	22kΩ 1/2W J
R505	QRL039J-182	OMF RESISTOR	1.8kΩ 3W J	R912	QRT029J-R18	MF RESISTOR	0.18Ω 2W J
R511	QRE121J-220Y	C RESISTOR	22Ω 1/2W J	R913	QRT029J-R15	MF RESISTOR	0.15Ω 2W J
R512	QRE121J-681Y	C RESISTOR	680Ω 1/2W J	△R914	QRK126J-681X	UNF C RESISTOR	680Ω 1/16W J
R516	QRZ0221-2R0	OMF RESISTOR	2Ω 7W K	△R915	QRK129J-6R8	UNF C RESISTOR	6.8Ω 1/2W J
R524	NRSA63J-563X	MG RESISTOR	56kΩ 1/16W J	△R917	QRK126J-332X	UNF C RESISTOR	3.3kΩ 1/2W J
R526	QRE121J-272Y	C RESISTOR	2.7kΩ 1/2W J	R918	QRE121J-222Y	C RESISTOR	2.2kΩ 1/2W J
R527	QRE121J-154Y	C RESISTOR	150kΩ 1/2W J	R919	QRE121J-684Y	C RESISTOR	680kΩ 1/2W J
R528	QRE121J-154Y	C RESISTOR	150kΩ 1/2W J	R924	QRE121J-222Y	C RESISTOR	2.2kΩ 1/2W J
R529	NRSA63J-331X	MG RESISTOR	330Ω 1/16W J	R930	QRE121J-223Y	C RESISTOR	2.2kΩ 1/2W J
△R531	QRZ0230-391X	UNF C RESISTOR	390Ω 1/4W J	R940	QRE121J-181Y	C RESISTOR	180Ω 1/2W J
R532	NRSA63J-273X	MG RESISTOR	27kΩ 1/16W J	R941	QRL029J-183	OMF RESISTOR	18kΩ 2W J
R533	NRSA63J-123X	MG RESISTOR	12kΩ 1/16W J	R950	NRSA63J-0R0X	MG RESISTOR	0Ω 1/16W J
R534	NRSA63J-123X	MG RESISTOR	12kΩ 1/16W J	R951	NRSA63J-473X	MG RESISTOR	47kΩ 1/16W J
△R535	NRSA63D-272X	MG RESISTOR	2.7kΩ 1/16W D	R952	NRSA63J-102X	MG RESISTOR	1kΩ 1/16W J
R536	QRE121J-470Y	C RESISTOR	47Ω 1/2W J	R953	QRE121J-820Y	C RESISTOR	82Ω 1/2W J
△R537	NRSA63D-752X	MG RESISTOR	7.5kΩ 1/16W D	R972	NRSA63D-122X	MG RESISTOR	1.2kΩ 1/16W D
R538	NRSA63J-333X	MG RESISTOR	33kΩ 1/16W J	R973	NRVA02D-332X	CMF RESISTOR	3.3kΩ 1/10W D
R543	QRE121J-122Y	C RESISTOR	1.2kΩ 1/2W J	R975	QRE121J-223Y	C RESISTOR	22kΩ 1/2W J
R544	QRE121J-392Y	C RESISTOR	3.9kΩ 1/2W J	R977	QRE121J-473Y	C RESISTOR	47kΩ 1/2W J
R545	QRE121J-822Y	C RESISTOR	8.2kΩ 1/2W J	R978	NRSA63J-333X	MG RESISTOR	33kΩ 1/16W J
R546	NRSA63J-331X	MG RESISTOR	330Ω 1/16W J	△R998	QRZ9041-275	C RESISTOR	2.7MΩ 1/2W K
R547	NRSA63J-104X	MG RESISTOR	100kΩ 1/16W J	L001	QQL244K-560Z	PEAKING COIL	56uH K
R548	QRE121J-152Y	C RESISTOR	1.5kΩ 1/2W J	L101	QQLZ014-R39	COIL	0.39uH 100mA L
R553	QRL039J-390	OMF RESISTOR	39Ω 3W J	L131	QQL29BJ-220Z	P COIL	0.65Ω 22uH J
△R554	QRK126J-150X	UNF C RESISTOR	15Ω 1/2W J	L161	QQL29BJ-220Z	P COIL	0.65Ω 22uH J
R555	QRT029J-3R3	MF RESISTOR	3.3Ω 2W J	L232	QQL244K-560Z	PEAKING COIL	56uH K
R601	NRSA63J-750X	MG RESISTOR	75Ω 1/16W J	L241	QQL244K-220Z	PEAKING COIL	22uH K
R602	NRSA63J-750X	MG RESISTOR	75Ω 1/16W J	L391	QQL244K-220Z	PEAKING COIL	22uH K
R603	NRSA63J-750X	MG RESISTOR	75Ω 1/16W J	L511	QQR1165-001	LINEARITY COIL	
R621	NRSA63J-123X	MG RESISTOR	12kΩ 1/16W J	L512	QQLZ036-821	COIL	820uH K
R623	NRSA63J-102X	MG RESISTOR	1kΩ 1/16W J	L521	QQLZ026-760	COIL	76uH A)7%
R624	NRSA63J-123X	MG RESISTOR	12kΩ 1/16W J	L701	QQL244K-220Z	PEAKING COIL	22uH K
R626	NRSA63J-102X	MG RESISTOR	1kΩ 1/16W J	L702	QQL244K-220Z	PEAKING COIL	22uH K
R627	NRSA63J-102X	MG RESISTOR	1kΩ 1/16W J	L703	QQL244K-220Z	PEAKING COIL	22uH K
R628	NRSA63J-103X	MG RESISTOR	10kΩ 1/16W J	L704	QQL244K-220Z	PEAKING COIL	22uH K
R630	NRSA63J-472X	MG RESISTOR	4.7kΩ 1/16W J	L705	QQL244K-220Z	PEAKING COIL	22uH K
R631	NRSA63J-103X	MG RESISTOR	10kΩ 1/16W J	L931	QQL26AK-470Z	CHOKO COIL	47uH K
R641	NRSA63J-102X	MG RESISTOR	1kΩ 1/16W J	L933	QQL26AK-470Z	CHOKO COIL	47uH K
R642	NRSA63J-103X	MG RESISTOR	10kΩ 1/16W J	L937	QQL26AK-470Z	CHOKO COIL	47uH K
R643	NRSA63J-223X	MG RESISTOR	22kΩ 1/16W J	L940	QQR0582-001Z	FERRITE BEADS	
R644	NRSA63J-102X	MG RESISTOR	1kΩ 1/16W J	T111	QQR0907-001	I F T	
R645	NRSA63J-562X	MG RESISTOR	5.6kΩ 1/16W J	T501	QQR1414-001	DRIVE TRANSF	
R646	NRSA63J-473X	MG RESISTOR	47kΩ 1/16W J	△T921	QQS0152-001	SW TRANSF	
R647	NRSA63J-103X	MG RESISTOR	10kΩ 1/16W J	△T951	QQT0355-001	POWER TRANSF	
R648	NRSA63J-103X	MG RESISTOR	10kΩ 1/16W J	CF001	QAX0349-001	C TRAP	47.25MHz
R649	NRSA63J-104X	MG RESISTOR	100kΩ 1/16W J	CF131	QAX0639-001Z	C TRAP	4.500MHz
R651	NRSA63J-223X	MG RESISTOR	22kΩ 1/16W J	CF161	QAX0642-001Z	C FILTER	4.500MHz
R652	NRSA63J-223X	MG RESISTOR	22kΩ 1/16W J	CN001	QGB1505J1-35	CONNECTOR	B-B (1-35)
R653	NRSA63J-223X	MG RESISTOR	22kΩ 1/16W J	CN004	QGA2501C5-07Z	CONNECTOR	W-B (1-7)
R654	NRSA63J-223X	MG RESISTOR	22kΩ 1/16W J	CN005	QGA2501C5-06Z	CONNECTOR	W-B (1-6)
R655	NRSA63J-0R0X	MG RESISTOR	0Ω 1/16W J	CN007	QGA2501C5-06Z	CONNECTOR	W-B (1-6)
R657	NRSA63J-0R0X	MG RESISTOR	0Ω 1/16W J	CN00C	QGA2501F1-06	CONNECTOR	W-B (1-6)
R659	NRSA63J-103X	MG RESISTOR	10kΩ 1/16W J	CN0E1	CE41507-001P	LV CONNECTOR	
R680	NRSA63J-101X	MG RESISTOR	100Ω 1/16W J	CN0E3	CE41507-001P	LV CONNECTOR	
R700	NRSA63J-102X	MG RESISTOR	1kΩ 1/16W J	CN0HV	QGG5004C1-06	CONNECTOR	(1-6)
R701	NRSA63J-103X	MG RESISTOR	10kΩ 1/16W J	CN0S1	QGA2501C5-05Z	CONNECTOR	W-B (1-5)
R702	NRSA63J-102X	MG RESISTOR	1kΩ 1/16W J	CN0SS	QGA2501C5-04Z	CONNECTOR	W-B (1-4)
R704	NRSA63J-472X	MG RESISTOR	4.7kΩ 1/16W J	△CP932	ICP-N70-T	IC PROTECTOR	2.5A
R705	NRSA63J-472X	MG RESISTOR	4.7kΩ 1/16W J	△CP933	ICP-N70-T	IC PROTECTOR	2.5A
R706	NRSA63J-472X	MG RESISTOR	4.7kΩ 1/16W J	△CP936	ICP-N70-T	IC PROTECTOR	2.5A
R707	NRSA63J-103X	MG RESISTOR	10kΩ 1/16W J	△F901	QMF51N1-5R0-J5	FUSE	5A AC125V
R708	NRSA63J-101X	MG RESISTOR	100Ω 1/16W J	△F905	QMFZ049-5R0Z-E	FUSE	5A 125V
R709	NRSA63J-101X	MG RESISTOR	100Ω 1/16W J	△FR525	QRZ9017-4R7	FUSI RESISTOR	4.7Ω 1/4W J
R718	NRSA63J-101X	MG RESISTOR	100Ω 1/16W J	HS001	LC32600-001A	HEAT SINK	
R721	NRSA63J-102X	MG RESISTOR	1kΩ 1/16W J	HS002	LC31678-001A	HEAT SINK/AL-F/	
R729	NRSA63J-223X	MG RESISTOR	22kΩ 1/16W J	HS003	LC32111-002A	HEAT SINK/AL-F/	
R731	NRSA63J-101X	MG RESISTOR	100Ω 1/16W J	HS004	CEHE015-001WU	HEAT SINK	
R732	NRSA63J-101X	MG RESISTOR	100Ω 1/16W J	HS005	CM42862-00G-H	HEAT SINK ASSY	
R733	NRSA63J-472X	MG RESISTOR	4.7kΩ 1/16W J	HS007	CEHT11B-002QS	HEAT SINK	
R734	NRSA63J-472X	MG RESISTOR	4.7kΩ 1/16W J	J601	QNN0349-002	PIN JACK	COMP IN
R739	NRSA63J-272X	MG RESISTOR	2.7kΩ 1/16W J				
R740	NRSA63J-103X	MG RESISTOR	10kΩ 1/16W J				

△Ref No.	Part No.	Part Name	Description Local	△Ref No.	Part No.	Part Name	Description Local
K101	QQR0582-001Z	FERRITE BEADS		R3139	NRSA63J-331X	MG RESISTOR	330Ω 1/16W J
K401	QQR0621-002Z	FERRITE BEADS		R3142	NRSA63J-123X	MG RESISTOR	12kΩ 1/16W J
K912	QQR0582-001Z	FERRITE BEADS		R3143	NRSA63J-122X	MG RESISTOR	1.2kΩ 1/16W J
K916	QQR0582-001Z	FERRITE BEADS		R3144	NRSA63J-101X	MG RESISTOR	100Ω 1/16W J
K917	QQR0582-001Z	FERRITE BEADS		R3145	NRSA63J-100X	MG RESISTOR	10Ω 1/16W J
K918	QQR0582-001Z	FERRITE BEADS		R3146	NRSA63J-100X	MG RESISTOR	10Ω 1/16W J
K920	QQR1139-001	FERRITE BEADS		R3148	NRSA63J-101X	MG RESISTOR	100Ω 1/16W J
K931	QQR0582-001Z	FERRITE BEADS		R3301	NRSA63J-151X	MG RESISTOR	150Ω 1/16W J
K932	QQR0582-001Z	FERRITE BEADS		R3302	NRSA63J-151X	MG RESISTOR	150Ω 1/16W J
K933	QQR0582-001Z	FERRITE BEADS		R3303	NRSA63J-151X	MG RESISTOR	150Ω 1/16W J
K935	QQR0582-001Z	FERRITE BEADS		R3304	NRSA63J-151X	MG RESISTOR	150Ω 1/16W J
K937	QQR0582-001Z	FERRITE BEADS		R3305	NRSA63J-151X	MG RESISTOR	150Ω 1/16W J
LC601	QQR1459-001	EMI F. COIL		R3306	NRSA63J-151X	MG RESISTOR	150Ω 1/16W J
LC602	QQR1459-001	EMI F. COIL		R3307	NRSA63J-470X	MG RESISTOR	47Ω 1/16W J
LC603	QQR1459-001	EMI F. COIL		R3308	NRSA63J-470X	MG RESISTOR	47Ω 1/16W J
△LF901	QQR1159-001	LINE FILTER		R3309	NRSA63J-470X	MG RESISTOR	47Ω 1/16W J
△LF902	QQR0527-004	LINE FILTER		R3310	QRL029J-183	OMF RESISTOR	18kΩ 2W J
△PC921	PC123Y22	PHOTO COUPLER		R3311	QRL029J-183	OMF RESISTOR	18kΩ 2W J
△RY951	QSK0085-001	RELAY		R3312	QRL029J-183	OMF RESISTOR	18kΩ 2W J
S421	QSL4A13-C02	LEVER SWITCH	V.CENTER	R3313	QRL029J-223	OMF RESISTOR	22kΩ 2W J
SF101	QAX0723-001	SAW FILTER		R3314	QRL029J-223	OMF RESISTOR	22kΩ 2W J
△TH901	QAD0132-3R0	W-PIC	3Ω	R3315	QRL029J-223	OMF RESISTOR	22kΩ 2W J
△TU001	QAU0305-001	TUNER		R3325	QRZ0107-102Z	C RESISTOR	1kΩ 1/2W K
△VA901	ERZV10V621CS	ZNR		R3326	QRZ0107-102Z	C RESISTOR	1kΩ 1/2W K
X701	QAX0767-001Z	CRYSTAL	8MHz	R3327	QRZ0107-102Z	C RESISTOR	1kΩ 1/2W K
				R3331	NRSA63J-182X	MG RESISTOR	1.8kΩ 1/16W J
				R3332	NRSA63J-182X	MG RESISTOR	1.8kΩ 1/16W J
				R3333	NRSA63J-182X	MG RESISTOR	1.8kΩ 1/16W J
				R3334	NRSA63J-152X	MG RESISTOR	1.5kΩ 1/16W J
				R3335	NRSA63J-271X	MG RESISTOR	270Ω 1/16W J
				R3351	NRSA63J-821X	MG RESISTOR	820Ω 1/16W J
				R3354	NRSA63J-102X	MG RESISTOR	1kΩ 1/16W J

CRT SOCKET P.W. BOARD ASS'Y (SGJ-3511A-M2)

△Ref No.	Part No.	Part Name	Description Local	△Ref No.	Part No.	Part Name	Description Local
Q3103	2SC3928A/QR/-X	TRANSISTOR		L3304	QQL244K-470Z	PEAKING COIL	47uH K
Q3107	2SA2005/DE/	POW TRANSISTOR		CN3004	QJB003-073226	SIN ID C-B WIRE	
Q3108	2SC5511/DE/	POW TRANSISTOR		CN3005	WJA0029-001A	E-SI ID WIRE	
Q3109	2SC3928A/QR/-X	TRANSISTOR		CN300V	GGA2501C5-03Z	CONNECTOR	W-B (1-3)
Q3351	2SA1530A/QR/-X	TRANSISTOR		CN30E2	QUB130-38A6AS	SIN TWIST WIRE	
D3105	RH1S-T3	SI DIODE		CN30E4	QUB130-38A6AS	SIN TWIST WIRE	
D3106	RH1S-T3	SI DIODE		K3104	QQR1114-001Z	FERRITE BEADS	
D3311	MTZJ3.6B-T2	Z DIODE		K3105	QQR1114-001Z	FERRITE BEADS	
D3312	1SS133-T2	DIODE		△SK3001	QNZ0536-001	CRT SOCKET	
D3313	MTZJ4.3A-T2	Z DIODE					
D3314	1SS133-T2	DIODE					
D3331	1SS133-T2	DIODE					
D3351	1SS133-T2	DIODE					
D3352	1SS133-T2	DIODE					
D3353	1SS133-T2	DIODE					
D3354	1SS133-T2	DIODE					
C3101	QETN1HM-106Z	E CAPACITOR	10uF 50V M	IC5001	CXA2205Q-X	IC	
C3109	QETN1CM-107Z	E CAPACITOR	100uF 16V M	IC5201	TC90A49AP	IC	
C3111	NDC31HJ-221X	C CAPACITOR	220pF 50V J	IC5501	TA1218AN	IC	
C3113	QETN2CM-106Z	E CAPACITOR	10uF 160V M	Q5001	2SA1530A/QR/-X	TRANSISTOR	
C3114	QCB32HK-472Z	C CAPACITOR	4700pF 500V K	Q5002	2SA1530A/QR/-X	TRANSISTOR	
C3115	QCB32HK-472Z	C CAPACITOR	4700pF 500V K	Q5211	2SC3928A/QR/-X	TRANSISTOR	
C3117	QETN2CM-106Z	E CAPACITOR	10uF 160V M	Q5212	2SC3928A/QR/-X	TRANSISTOR	
C3118	QETN0JM-107Z	E CAPACITOR	100uF 6.3V M	Q5251	2SC3928A/QR/-X	TRANSISTOR	
C3119	QETN1AM-107Z	E CAPACITOR	100uF 10V M	Q5252	2SA1530A/QR/-X	TRANSISTOR	
C3120	QETN1AM-337Z	E CAPACITOR	330uF 10V M	Q5253	2SA1530A/QR/-X	TRANSISTOR	
C3121	QCS32HJ-151Z	C CAPACITOR	150pF 500V J	Q5261	2SA1530A/QR/-X	TRANSISTOR	
C3127	NDC31HJ-471X	C CAPACITOR	470pF 50V J	Q5262	2SC3928A/QR/-X	TRANSISTOR	
C3301	NDC31HJ-561X	C CAPACITOR	560pF 50V J	Q5263	2SA1530A/QR/-X	TRANSISTOR	
C3302	NDC31HJ-391X	C CAPACITOR	390pF 50V J	Q5384	DTC323TK-X	DIGI TRANSISTOR	
C3303	NDC31HJ-561X	C CAPACITOR	560pF 50V J	Q5385	DTC323TK-X	DIGI TRANSISTOR	
C3323	QETN1CM-107Z	E CAPACITOR	100uF 16V M	Q5386	DTC323TK-X	DIGI TRANSISTOR	
C3331	NDC31HJ-181X	C CAPACITOR	180pF 50V J	Q5387	DTC323TK-X	DIGI TRANSISTOR	
C3332	NDC31HJ-181X	C CAPACITOR	180pF 50V J	Q5501	2SA1530A/QR/-X	TRANSISTOR	
C3333	NDC31HJ-181X	C CAPACITOR	180pF 50V J	D5391	MTZJ9.1C-T2	Z DIODE	
C3351	QETN1CM-107Z	E CAPACITOR	100uF 16V M	D5392	MTZJ9.1C-T2	Z DIODE	
C3363	QCZ0324-102	C CAPACITOR	1000pF 3kV P	D5501	MTZJ9.1C-T2	Z DIODE	
R3115	NRSA63J-470X	MG RESISTOR	47Ω 1/16W J	D5502	MTZJ9.1C-T2	Z DIODE	
R3116	NRSA63J-470X	MG RESISTOR	47Ω 1/16W J	D5503	MTZJ9.1C-T2	Z DIODE	
R3123	NRSA63J-122X	MG RESISTOR	1.2kΩ 1/16W J	D5504	MTZJ9.1C-T2	Z DIODE	
R3124	NRSA63J-820X	MG RESISTOR	82Ω 1/16W J	D5505	MTZJ9.1C-T2	Z DIODE	
R3125	NRSA63J-100X	MG RESISTOR	10Ω 1/16W J	D5507	MTZJ9.1C-T2	Z DIODE	
R3126	NRSA63J-563X	MG RESISTOR	56kΩ 1/16W J	D5508	MTZJ9.1C-T2	Z DIODE	
R3127	NRSA63J-563X	MG RESISTOR	56kΩ 1/16W J	D5509	MTZJ9.1C-T2	Z DIODE	
R3128	NRSA63J-122X	MG RESISTOR	1.2kΩ 1/16W J	D5510	MTZJ9.1C-T2	Z DIODE	
R3129	NRSA63J-100X	MG RESISTOR	10Ω 1/16W J	D5511	MTZJ9.1C-T2	Z DIODE	
R3130	NRSA63J-820X	MG RESISTOR	82Ω 1/16W J	D5512	MTZJ9.1C-T2	Z DIODE	
R3131	NRSA63J-331X	MG RESISTOR	330Ω 1/16W J	D5513	MTZJ9.1C-T2	Z DIODE	
R3132	QRL029J-391	OMF RESISTOR	390Ω 2W J	C5001	QENC1HM-475Z	BP E CAPACITOR	4.7uF 50V M
R3134	NRSA63J-101X	MG RESISTOR	100Ω 1/16W J				
R3136	NRSA63J-392X	MG RESISTOR	3.9kΩ 1/16W J				

AV SELECTOR P.W. BOARD ASS'Y (SGJ-5506A-M2)

△Ref No.	Part No.	Part Name	Description Local
IC5001	CXA2205Q-X	IC	
IC5201	TC90A49AP	IC	
IC5501	TA1218AN	IC	
Q5001	2SA1530A/QR/-X	TRANSISTOR	
Q5002	2SA1530A/QR/-X	TRANSISTOR	
Q5211	2SC3928A/QR/-X	TRANSISTOR	
Q5212	2SC3928A/QR/-X	TRANSISTOR	
Q5251	2SC3928A/QR/-X	TRANSISTOR	
Q5252	2SA1530A/QR/-X	TRANSISTOR	
Q5253	2SA1530A/QR/-X	TRANSISTOR	
Q5261	2SA1530A/QR/-X	TRANSISTOR	
Q5262	2SC3928A/QR/-X	TRANSISTOR	
Q5263	2SA1530A/QR/-X	TRANSISTOR	
Q5384	DTC323TK-X	DIGI TRANSISTOR	
Q5385	DTC323TK-X	DIGI TRANSISTOR	
Q5386	DTC323TK-X	DIGI TRANSISTOR	
Q5387	DTC323TK-X	DIGI TRANSISTOR	
Q5501	2SA1530A/QR/-X	TRANSISTOR	
D5391	MTZJ9.1C-T2	Z DIODE	
D5392	MTZJ9.1C-T2	Z DIODE	
D5501	MTZJ9.1C-T2	Z DIODE	
D5502	MTZJ9.1C-T2	Z DIODE	
D5503	MTZJ9.1C-T2	Z DIODE	
D5504	MTZJ9.1C-T2	Z DIODE	
D5505	MTZJ9.1C-T2	Z DIODE	
D5507	MTZJ9.1C-T2	Z DIODE	
D5508	MTZJ9.1C-T2	Z DIODE	
D5509	MTZJ9.1C-T2	Z DIODE	
D5510	MTZJ9.1C-T2	Z DIODE	
D5511	MTZJ9.1C-T2	Z DIODE	
D5512	MTZJ9.1C-T2	Z DIODE	
D5513	MTZJ9.1C-T2	Z DIODE	
C5001	QENC1HM-475Z	BP E CAPACITOR	4.7uF 50V M

△Ref No.	Part No.	Part Name	Description Local	△Ref No.	Part No.	Part Name	Description Local
C5002	NCB31HK-562X	C CAPACITOR	5600pF 50V K	R5013	NRSA63J-101X	MG RESISTOR	100Ω 1/16W J
C5003	NCB31HK-123X	C CAPACITOR	0.012uF 50V K	R5014	NRSA63J-101X	MG RESISTOR	100Ω 1/16W J
C5004	QETN1HM-105Z	E CAPACITOR	1uF 50V M	R5015	NRSA63J-101X	MG RESISTOR	100Ω 1/16W J
C5005	QETN1HM-475Z	E CAPACITOR	4.7uF 50V M	R5016	NRSA63J-101X	MG RESISTOR	100Ω 1/16W J
C5006	QETN1HM-106Z	E CAPACITOR	10uF 50V M	R5017	NRSA63J-105X	MG RESISTOR	1MΩ 1/16W J
C5007	QETN1HM-475Z	E CAPACITOR	4.7uF 50V M	R5031	NRSA63J-101X	MG RESISTOR	100Ω 1/16W J
C5008	QETN1CM-107Z	E CAPACITOR	100uF 16V M	R5032	NRSA63J-101X	MG RESISTOR	100Ω 1/16W J
C5009	QENC1HM-475Z	BP E CAPACITOR	4.7uF 50V M	R5033	NRSA63J-272X	MG RESISTOR	2.7kΩ 1/16W J
C5010	QETN1HM-475Z	E CAPACITOR	4.7uF 50V M	R5034	NRSA63J-272X	MG RESISTOR	2.7kΩ 1/16W J
C5011	QENC1HM-475Z	BP E CAPACITOR	4.7uF 50V M	R5210	NRSA63J-0R0X	MG RESISTOR	0Ω 1/16W J
C5012	NCB31HK-272X	C CAPACITOR	2700pF 50V K	R5211	NRSA63J-332X	MG RESISTOR	3.3kΩ 1/16W J
C5013	NCB31HK-473X	C CAPACITOR	0.047uF 50V K	R5212	NRSA63J-103X	MG RESISTOR	10kΩ 1/16W J
C5014	QENC1HM-475Z	BP E CAPACITOR	4.7uF 50V M	R5213	NRSA63J-102X	MG RESISTOR	1kΩ 1/16W J
C5015	QETN1HM-106Z	E CAPACITOR	10uF 50V M	R5214	NRSA63J-181X	MG RESISTOR	180Ω 1/16W J
C5016	QETN1HM-105Z	E CAPACITOR	1uF 50V M	R5215	NRSA63J-152X	MG RESISTOR	1.5kΩ 1/16W J
C5017	QENC1HM-475Z	BP E CAPACITOR	4.7uF 50V M	R5216	NRSA63J-182X	MG RESISTOR	1.8kΩ 1/16W J
C5018	QENC1HM-475Z	BP E CAPACITOR	4.7uF 50V M	R5217	NRSA63J-222X	MG RESISTOR	2.2kΩ 1/16W J
C5019	NCB31HK-223X	C CAPACITOR	0.022uF 50V K	R5240	NRSA63J-0R0X	MG RESISTOR	0Ω 1/16W J
C5020	NCB31HK-472X	C CAPACITOR	4700pF 50V K	R5241	NRSA63J-821X	MG RESISTOR	820Ω 1/16W J
C5021	QENC1HM-475Z	BP E CAPACITOR	4.7uF 50V M	R5242	NRSA63J-101X	MG RESISTOR	100Ω 1/16W J
C5022	NCB31EK-104X	C CAPACITOR	0.1uF 25V K	R5243	NRSA63J-101X	MG RESISTOR	100Ω 1/16W J
C5023	NCB31HK-472X	C CAPACITOR	4700pF 50V K	R5251	NRSA63J-471X	MG RESISTOR	470Ω 1/16W J
C5024	QENC1HM-475Z	BP E CAPACITOR	4.7uF 50V M	R5253	NRSA63J-102X	MG RESISTOR	1kΩ 1/16W J
C5025	NCB31EK-104X	C CAPACITOR	0.1uF 25V K	R5254	NRSA63J-102X	MG RESISTOR	1kΩ 1/16W J
C5026	QETN1HM-335Z	E CAPACITOR	3.3uF 50V M	R5255	NRSA63J-681X	MG RESISTOR	680Ω 1/16W J
C5027	NCB31HK-103X	C CAPACITOR	0.01uF 50V K	R5258	NRSA63J-101X	MG RESISTOR	100Ω 1/16W J
C5028	NCB31HK-103X	C CAPACITOR	0.01uF 50V K	R5259	NRSA63J-222X	MG RESISTOR	2.2kΩ 1/16W J
C5029	NCB31HK-103X	C CAPACITOR	0.01uF 50V K	R5261	NRSA63J-101X	MG RESISTOR	100Ω 1/16W J
C5030	QETN1CM-227Z	E CAPACITOR	220uF 16V M	R5262	NRSA63J-222X	MG RESISTOR	2.2kΩ 1/16W J
C5031	QETN1HM-106Z	E CAPACITOR	10uF 50V M	R5263	NRSA63J-471X	MG RESISTOR	470Ω 1/16W J
C5203	QETN1EM-476Z	E CAPACITOR	47uF 25V M	R5265	NRSA63J-102X	MG RESISTOR	1kΩ 1/16W J
C5204	NCB31HK-103X	C CAPACITOR	0.01uF 50V K	R5269	NRSA63J-681X	MG RESISTOR	680Ω 1/16W J
C5205	QETN1EM-476Z	E CAPACITOR	47uF 25V M	R5270	NRSA63J-102X	MG RESISTOR	1kΩ 1/16W J
C5206	NCB31HK-103X	C CAPACITOR	0.01uF 50V K	R5384	NRSA63J-223X	MG RESISTOR	22kΩ 1/16W J
C5211	QENC1CM-106Z	BP E CAPACITOR	10uF 16V M	R5385	NRSA63J-223X	MG RESISTOR	22kΩ 1/16W J
C5212	NDC31HJ-101X	C CAPACITOR	100pF 50V J	R5386	NRSA63J-223X	MG RESISTOR	22kΩ 1/16W J
C5213	NDC31HJ-470X	C CAPACITOR	47pF 50V J	R5387	NRSA63J-223X	MG RESISTOR	22kΩ 1/16W J
C5214	NDC31HJ-181X	C CAPACITOR	180pF 50V J	R5391	NRSA63J-221X	MG RESISTOR	220Ω 1/16W J
C5215	QETN1HM-474Z	E CAPACITOR	0.47uF 50V M	R5392	NRSA63J-221X	MG RESISTOR	220Ω 1/16W J
C5226	NCB31HK-103X	C CAPACITOR	0.01uF 50V K	R5393	NRSA63J-823X	MG RESISTOR	82kΩ 1/16W J
C5231	QETN1CM-107Z	E CAPACITOR	100uF 16V M	R5394	NRSA63J-823X	MG RESISTOR	82kΩ 1/16W J
C5232	NCB31HK-103X	C CAPACITOR	0.01uF 50V K	R5395	NRSA63J-221X	MG RESISTOR	220Ω 1/16W J
C5233	NCB31HK-103X	C CAPACITOR	0.01uF 50V K	R5396	NRSA63J-221X	MG RESISTOR	220Ω 1/16W J
C5234	NCB31HK-103X	C CAPACITOR	0.01uF 50V K	R5501	NRSA63J-101X	MG RESISTOR	100Ω 1/16W J
C5235	NCB31HK-103X	C CAPACITOR	0.01uF 50V K	R5502	NRSA63J-101X	MG RESISTOR	100Ω 1/16W J
C5236	QETN1CM-107Z	E CAPACITOR	100uF 16V M	R5503	NRSA63J-101X	MG RESISTOR	100Ω 1/16W J
C5237	NCB31HK-103X	C CAPACITOR	0.01uF 50V K	R5504	NRSA63J-101X	MG RESISTOR	100Ω 1/16W J
C5238	QETN1CM-107Z	E CAPACITOR	100uF 16V M	R5505	NRSA63J-101X	MG RESISTOR	100Ω 1/16W J
C5239	NCB31HK-103X	C CAPACITOR	0.01uF 50V K	R5507	NRSA63J-103X	MG RESISTOR	10kΩ 1/16W J
C5240	NCB31HK-103X	C CAPACITOR	0.01uF 50V K	R5508	NRSA63J-153X	MG RESISTOR	15kΩ 1/16W J
C5241	NCB31HK-103X	C CAPACITOR	0.01uF 50V K	R5509	NRSA63J-101X	MG RESISTOR	100Ω 1/16W J
C5242	QETN1CM-107Z	E CAPACITOR	100uF 16V M	R5510	NRSA63J-101X	MG RESISTOR	100Ω 1/16W J
C5243	NCB31HK-103X	C CAPACITOR	0.01uF 50V K	R5511	NRSA63J-101X	MG RESISTOR	100Ω 1/16W J
C5246	NDC31HJ-181X	C CAPACITOR	180pF 50V J	R5512	NRSA63J-101X	MG RESISTOR	100Ω 1/16W J
C5247	NCB31HK-103X	C CAPACITOR	0.01uF 50V K	R5513	NRSA63J-153X	MG RESISTOR	15kΩ 1/16W J
C5251	QETN1EM-476Z	E CAPACITOR	47uF 25V M	R5514	NRSA63J-103X	MG RESISTOR	10kΩ 1/16W J
C5252	NCB31HK-103X	C CAPACITOR	0.01uF 50V K	R5515	NRSA63J-103X	MG RESISTOR	10kΩ 1/16W J
C5253	NDC31HJ-820X	C CAPACITOR	82pF 50V J	R5516	NRSA63J-103X	MG RESISTOR	10kΩ 1/16W J
C5255	NDC31HJ-470X	C CAPACITOR	47pF 50V J	R5517	NRSA63J-103X	MG RESISTOR	10kΩ 1/16W J
C5263	NDC31HJ-470X	C CAPACITOR	47pF 50V J	R5519	NRSA63J-750X	MG RESISTOR	75Ω 1/16W J
C5380	QETN1HM-106Z	E CAPACITOR	10uF 50V M	R5520	NRSA63J-750X	MG RESISTOR	75Ω 1/16W J
C5391	QETN1HM-474Z	E CAPACITOR	0.47uF 50V M	R5521	NRSA63J-750X	MG RESISTOR	75Ω 1/16W J
C5392	QETN1HM-474Z	E CAPACITOR	0.47uF 50V M	R5522	NRSA63J-224X	MG RESISTOR	220kΩ 1/16W J
C5501	QETN1HM-225Z	E CAPACITOR	2.2uF 50V M	R5523	NRSA63J-224X	MG RESISTOR	220kΩ 1/16W J
C5502	QETN1HM-225Z	E CAPACITOR	2.2uF 50V M	R5524	NRSA63J-103X	MG RESISTOR	10kΩ 1/16W J
C5503	QETN1HM-106Z	E CAPACITOR	10uF 50V M	R5526	NRSA63J-103X	MG RESISTOR	10kΩ 1/16W J
C5504	QETN1HM-106Z	E CAPACITOR	10uF 50V M	R5532	NRSA63J-224X	MG RESISTOR	220kΩ 1/16W J
C5508	QETN1HM-106Z	E CAPACITOR	10uF 50V M	R5533	NRSA63J-224X	MG RESISTOR	220kΩ 1/16W J
C5509	NCB31HK-103X	C CAPACITOR	0.01uF 50V K	R5541	NRSA63J-101X	MG RESISTOR	100Ω 1/16W J
C5520	QETN1HM-225Z	E CAPACITOR	2.2uF 50V M	R5542	NRSA63J-101X	MG RESISTOR	100Ω 1/16W J
C5521	QETN1HM-225Z	E CAPACITOR	2.2uF 50V M	R5543	NRSA63J-101X	MG RESISTOR	100Ω 1/16W J
C5531	NCB31HK-103X	C CAPACITOR	0.01uF 50V K	R5544	NRSA63J-101X	MG RESISTOR	100Ω 1/16W J
C5532	QETN1EM-476Z	E CAPACITOR	47uF 25V M	R5545	NRSA63J-101X	MG RESISTOR	100Ω 1/16W J
C5533	NCB31HK-103X	C CAPACITOR	0.01uF 50V K	R5546	NRSA63J-103X	MG RESISTOR	10kΩ 1/16W J
C5534	QENC1CM-106Z	BP E CAPACITOR	10uF 16V M	R5558	NRSA63J-0R0X	MG RESISTOR	0Ω 1/16W J
				R5559	NRSA63J-0R0X	MG RESISTOR	0Ω 1/16W J
				R5560	NRSA63J-0R0X	MG RESISTOR	0Ω 1/16W J
				R5561	NRSA63J-0R0X	MG RESISTOR	0Ω 1/16W J
R5001	NRSA63J-105X	MG RESISTOR	1MΩ 1/16W J	L5202	QQL244K-150Z	PEAKING COIL	15uH K
R5002	NRSA63J-104X	MG RESISTOR	100kΩ 1/16W J	L5211	QQL244K-4R7Z	PEAKING COIL	4.7uH K
R5003	NRSA63J-103X	MG RESISTOR	10kΩ 1/16W J	L5241	QQL244K-4R7Z	PEAKING COIL	4.7uH K
R5004	NRSA63J-123X	MG RESISTOR	12kΩ 1/16W J	L5243	QQL244K-4R7Z	PEAKING COIL	4.7uH K
R5005	NRSA63J-683X	MG RESISTOR	68kΩ 1/16W J	L5244	QQL244K-4R7Z	PEAKING COIL	4.7uH K
R5007	NRSA63J-332X	MG RESISTOR	3.3kΩ 1/16W J	L5261	QQL244K-150Z	PEAKING COIL	15uH K
R5008	NRSA63J-332X	MG RESISTOR	3.3kΩ 1/16W J				
R5009	NRSA63J-333X	MG RESISTOR	33kΩ 1/16W J				
R5010	NRSA63J-392X	MG RESISTOR	3.9kΩ 1/16W J				
R5011	NRSA63J-101X	MG RESISTOR	100Ω 1/16W J				
R5012	NRSA63J-101X	MG RESISTOR	100Ω 1/16W J	CN5001	QGB1505K1-35	CONNECTOR	B-B (1-35)

△Ref No.	Part No.	Part Name	Description Local
CN5006	QGA2501C5-05Z	CONNECTOR	W-B (1-5)
J5501	QNZ0454-001	AV JACK	S/V/L/R IN
J5502	QNN0348-001	PIN JACK	L/R IN
J5503	QNN0348-001	PIN JACK	L/R OUT

FRONT CONTROL P.W. BOARD ASS'Y (SGJ-6506A-M2)

△Ref No.	Part No.	Part Name	Description Local
C6401	QETN1HM-106Z	E CAPACITOR	10uF 50V M
C6402	QETN1HM-225Z	E CAPACITOR	2.2uF 50V M
C6403	QETN1HM-225Z	E CAPACITOR	2.2uF 50V M
R6401	NRSA63J-750X	MG RESISTOR	75Ω 1/16W J
R6402	NRSA63J-224X	MG RESISTOR	220kΩ 1/16W J
R6403	NRSA63J-224X	MG RESISTOR	220kΩ 1/16W J
R6702	NRSA63J-102X	MG RESISTOR	1kΩ 1/16W J
R6703	NRSA63J-102X	MG RESISTOR	1kΩ 1/16W J
R6704	NRSA63J-152X	MG RESISTOR	1.5kΩ 1/16W J
R6705	NRSA63J-272X	MG RESISTOR	2.7kΩ 1/16W J
R6706	NRSA63J-562X	MG RESISTOR	5.6kΩ 1/16W J
CN6006	QJB003-054610	SIN ID C-B WIRE	
CN6007	QJB003-064426	SIN ID C-B WIRE	
CN600B	QJB003-050806	SIN ID C-B WIRE	
J6401	QNN0281-003	PIN JACK	V IN
J6402	QNN0281-002	PIN JACK	L IN
J6403	QNN0282-001	PIN JACK	R IN
LC6401	QQR1459-001	EMI F. COIL	
LC6402	QQR1459-001	EMI F. COIL	
LC6403	QQR1459-001	EMI F. COIL	
S6702	QSW0619-003Z	TACT SWITCH	MENU
S6703	QSW0619-003Z	TACT SWITCH	CH-
S6704	QSW0619-003Z	TACT SWITCH	CH+
S6705	QSW0619-003Z	TACT SWITCH	VOL-
S6706	QSW0619-003Z	TACT SWITCH	VOL+

LED & POWER SW P.W. BOARD ASS'Y (SGJ-7506A-M2)

△Ref No.	Part No.	Part Name	Description Local
IC7701	GP1UM281QK	IR DETECT UNIT	38kHz
Q7702	UN2112-X	TRANSISTOR	
D7701	LG22440	LED	POWER
C7701	QETN1EM-476Z	E CAPACITOR	47uF 25V M
R7708	NRSA63J-152X	MG RESISTOR	1.5kΩ 1/16W J
R7709	NRSA63J-561X	MG RESISTOR	560Ω 1/16W J
R7710	NRSA63J-101X	MG RESISTOR	100Ω 1/16W J
R7711	NRSA63J-101X	MG RESISTOR	100Ω 1/16W J
CN700B	QGA2501C5-05Z	CONNECTOR	W-B (1-5)
S7701	QSW0847-001	TACT SWITCH	POWER

PRINTED WIRING BOARD PARTS LIST [AV-N29F45/z]

MAIN P.W. BOARD ASS'Y (SGJ-1562A-M2)

△Ref No.	Part No.	Part Name	Description	Local	△Ref No.	Part No.	Part Name	Description	Local
IC101	M52342FP-X	IC			D915	SARS01-T2	SI DIODE		
IC201	TM8812CSDNG5DB9	IC(MCU)			D917	MTZJ30A-T2	Z DIODE		
IC421	LA78041	IC			D918	MTZJ5.1C-T2	Z DIODE		
IC621	TFA9843J/N1	IC			D920	1SS133-T2	DIODE		
IC641	NJM2701M-X	IC			D931	RU4AM-LFT2	SI DIODE		
IC651	NJM2150AD	IC			D933	RU3YX-LFC4	SI DIODE		
IC702	AT24C08-27F485	IC	(SERVICE)		D935	RU3YX-LFC4	SI DIODE		
IC703	S-80840CNY-T	IC			D937	RU3YX-LFC4	SI DIODE		
IC704	AN78L05-T	IC			D941	MTZJ33A-T2	Z DIODE		
IC851	L7812CP	IC			D945	MTZJ9.1B-T2	Z DIODE		
IC852	L7809CP	IC			D952	1SS133-T2	DIODE		
IC853	L7805CP	IC			D953	1SS133-T2	DIODE		
△IC911	STR-G9626-F3	IC			D954	1N4002G-T2	FR DIODE		
△IC921	SE135N	IC			D955	1N4002G-T2	FR DIODE		
Q001	UN2212-X	TRANSISTOR			D956	1N4002G-T2	FR DIODE		
Q101	2SC5083/L-P/T	TRANSISTOR			D957	1N4002G-T2	FR DIODE		
Q131	2SA1530A/QR/-X	TRANSISTOR			D972	MTZJ15C-T2	Z DIODE		
Q161	2SC3928A/QR/-X	TRANSISTOR			D973	1SS133-T2	DIODE		
Q211	2SC3928A/QR/-X	TRANSISTOR			C001	QETN1HM-475Z	E CAPACITOR	4.7uF 50V M	
Q232	2SC3928A/QR/-X	TRANSISTOR			C003	QETN1HM-106Z	E CAPACITOR	10uF 50V M	
Q233	2SC3928A/QR/-X	TRANSISTOR			C004	QETN0JM-477Z	E CAPACITOR	470uF 6.3V M	
Q352	2SC3928A/QR/-X	TRANSISTOR			C005	NCB31HK-103X	C CAPACITOR	0.01uF 50V K	
Q353	2SC3928A/QR/-X	TRANSISTOR			C101	NCB31HK-103X	C CAPACITOR	0.01uF 50V K	
Q501	2SC4212/Z1/	TRANSISTOR			C102	NCB31HK-103X	C CAPACITOR	0.01uF 50V K	
△Q511	2SD2645-YD	TRANSISTOR	H.OUT		C104	NCB31HK-103X	C CAPACITOR	0.01uF 50V K	
△Q531	2SC2785/JH/-T	SI TRANSISTOR			C105	NCB31HK-103X	C CAPACITOR	0.01uF 50V K	
Q532	2SA1530A/QR/-X	TRANSISTOR			C106	QETN1EM-476Z	E CAPACITOR	47uF 25V M	
Q541	2SA1530A/QR/-X	TRANSISTOR			C107	NCB31HK-103X	C CAPACITOR	0.01uF 50V K	
Q542	2SA1530A/QR/-X	TRANSISTOR			C113	NCB31HK-103X	C CAPACITOR	0.01uF 50V K	
Q543	2SD1267A/QP/	POW TRANSISTOR			C114	NCB31HK-103X	C CAPACITOR	0.01uF 50V K	
Q621	2SD601A/QR/-X	TRANSISTOR			C116	NCB31CK-224X	C CAPACITOR	0.22uF 16V K	
Q622	2SD601A/QR/-X	TRANSISTOR			C119	NDC31HJ-681X	C CAPACITOR	680pF 50V J	
Q623	2SA1530A/QR/-X	TRANSISTOR			C120	QETN1HM-474Z	E CAPACITOR	0.47uF 50V M	
Q625	2SD601A/QR/-X	TRANSISTOR			C124	NCB31HK-103X	C CAPACITOR	0.01uF 50V K	
Q641	2SC3928A/QR/-X	TRANSISTOR			C131	NCB31HK-103X	C CAPACITOR	0.01uF 50V K	
Q642	2SC3928A/QR/-X	TRANSISTOR			C161	QETN1HM-106Z	E CAPACITOR	10uF 50V M	
Q701	2SA1530A/QR/-X	TRANSISTOR			C162	QETN1HM-106Z	E CAPACITOR	10uF 50V M	
Q951	2SD1383K/AB/-X	SI TRANSISTOR			C163	NDC31HJ-470X	C CAPACITOR	47pF 50V J	
Q971	2SA1208/ST/Z1-T	TRANSISTOR			C164	NDC31HJ-470X	C CAPACITOR	47pF 50V J	
D305	1SS133-T2	DIODE			C165	NCB31HK-103X	C CAPACITOR	0.01uF 50V K	
D306	1SS133-T2	DIODE			C166	NCB31HK-103X	C CAPACITOR	0.01uF 50V K	
D307	1SS133-T2	DIODE			C167	NCB31HK-103X	C CAPACITOR	0.01uF 50V K	
D308	1SS133-T2	DIODE			C202	QETN1HM-105Z	E CAPACITOR	1uF 50V M	
D309	1SS133-T2	DIODE			C203	NCB31HK-152X	C CAPACITOR	1500pF 50V K	
D310	1SS133-T2	DIODE			C211	QENC1CM-106Z	BP E CAPACITOR	10uF 50V M	
D352	MTZJ9.1C-T2	Z DIODE			C212	NDC31HJ-100X	C CAPACITOR	10pF 50V J	
D353	1SS133-T2	DIODE			C221	QETN1HM-106Z	E CAPACITOR	10uF 50V M	
D354	MTZJ3.3A-T2	Z DIODE			C222	NCF31AZ-105X	C CAPACITOR	1uF 10V Z	
D421	1N4003-T2	SI DIODE			C223	NCB31HK-103X	C CAPACITOR	0.01uF 50V K	
D422	MTZJ75-T2	Z DIODE			C233	NDC31HJ-680X	C CAPACITOR	68pF 50V J	
D501	RH3G-F1	SI DIODE			C237	NCB31HK-103X	C CAPACITOR	0.01uF 50V K	
D502	RU3AM-LFC4	SI DIODE			C241	NCB31HK-103X	C CAPACITOR	0.01uF 50V K	
D521	RH1S-T3	SI DIODE			C242	QETN1HM-225Z	E CAPACITOR	2.2uF 50V M	
D523	RGP10J-04TS-T3	SI DIODE			C243	QETN0JM-227Z	E CAPACITOR	220uF 6.3V M	
D525	1SS81-T5	SI DIODE			C244	NCB31HK-103X	C CAPACITOR	0.01uF 50V K	
D526	1SS81-T5	SI DIODE			C281	QFVF1HJ-474Z	MF CAPACITOR	0.47uF 50V J	
D527	1SR124-400A-T2	SI DIODE			C282	QETN1CM-107Z	E CAPACITOR	100uF 16V M	
D529	MTZJ9.1C-T2	Z DIODE			C283	NCB31HK-103X	C CAPACITOR	0.01uF 50V K	
△D531	MA4068N/Z1/-T2	Z DIODE			C284	QETN1HM-225Z	E CAPACITOR	2.2uF 50V M	
D535	1SS133-T2	DIODE			C285	NCB31HK-103X	C CAPACITOR	0.01uF 50V K	
D601	MTZJ9.1C-T2	Z DIODE			C286	QETN1HM-474Z	E CAPACITOR	0.47uF 50V M	
D602	MTZJ9.1C-T2	Z DIODE			C287	QETN1CM-107Z	E CAPACITOR	100uF 16V M	
D603	MTZJ9.1C-T2	Z DIODE			C288	NCB31HK-103X	C CAPACITOR	0.01uF 50V K	
D621	1SS133-T2	DIODE			C302	NCB31EK-104X	C CAPACITOR	0.1uF 25V K	
D623	1SS133-T2	DIODE			C352	QETN1EM-476Z	E CAPACITOR	47uF 25V M	
D626	1SS133-T2	DIODE			C354	NCB31HK-103X	C CAPACITOR	0.01uF 50V K	
D703	MTZJ5.6B-T2	Z DIODE			C360	NCB31HK-103X	C CAPACITOR	0.01uF 50V K	
D704	MTZJ5.6B-T2	Z DIODE			C391	QETN1CM-107Z	E CAPACITOR	100uF 16V M	
D705	1SS133-T2	DIODE			C392	NCB31HK-103X	C CAPACITOR	0.01uF 50V K	
D706	MTZJ5.6B-T2	Z DIODE			C422	QFN32AK-102Z	M CAPACITOR	1000pF 100V K	
D707	MTZJ5.6B-T2	Z DIODE			C424	QETN1VM-107Z	E CAPACITOR	100uF 35V M	
D708	MTZJ5.6B-T2	Z DIODE			C425	QETN1VM-477Z	E CAPACITOR	470uF 35V M	
D709	MTZJ5.6B-T2	Z DIODE			C427	QETN1HM-225Z	E CAPACITOR	2.2uF 50V M	
D723	MTZJ5.6B-T2	Z DIODE			C428	QETM1EM-228	E CAPACITOR	2200uF 25V M	
△D901	GSIB460	BRIDGE DIODE			C431	QFLC2AK-563Z	M CAPACITOR	0.056uF 100V K	
D910	MA700A-T2	SB DIODE			C433	QETN1EM-476Z	E CAPACITOR	47uF 25V M	
D911	RGP10J-04TS-T3	SI DIODE			C435	NCB21HK-183X	C CAPACITOR	0.018uF 50V K	
D912	RGP10J-04TS-T3	SI DIODE			C440	QCS32HJ-100Z	C CAPACITOR	10pF 500V J	
D913	1SS133-T2	DIODE			C501	QCB32HK-151Z	C CAPACITOR	150pF 500V K	
D914	1SS133-T2	DIODE			C502	QCB32HK-331Z	C CAPACITOR	330pF 500V K	
					C503	QHR2CM-105Z	E CAPACITOR	1uF 160V M	
					C504	QEZ0203-107	E CAPACITOR	100uF 160V M	
					C507	QEM61HK-475Z	E CAPACITOR	4.7uF 50V K	

△Ref No.	Part No.	Part Name	Description Local	△Ref No.	Part No.	Part Name	Description Local
C508	QEM61HK-475Z	E CAPACITOR	4.7uF 50V K	C934	NDC31HJ-221X	C CAPACITOR	220pF 50V J
△C510	QFZ0200-482	MPP CAPACITOR	4800pF 1.5kV H	C935	QETN1VM-108Z	E CAPACITOR	1000uF 35V M
△C513	QFZ0196-113	MPP CAPACITOR	0.011uF 1.5kV H	C937	QCZ0340-102	C CAPACITOR	1000pF 2kV K
C514	QFP32GJ-183	PP CAPACITOR	0.018uF 400V J	C938	QETN1EM-477Z	E CAPACITOR	470uF 25V M
C515	QFZ0197-354	MPP CAPACITOR	0.35uF 250V J	C939	QCB32HK-152Z	C CAPACITOR	1500pF 500V K
C516	QCB32HK-561Z	C CAPACITOR	560pF 500V K	C941	QCB32HK-102Z	C CAPACITOR	1000pF 500V K
C521	QETN2EM-106Z	E CAPACITOR	10uF 250V M	C942	QEHR1HM-105Z	E CAPACITOR	1uF 50V M
C523	QEHR1VM-477Z	E CAPACITOR	470uF 35V M	C943	QETN1CM-108Z	E CAPACITOR	1000uF 16V M
C525	QETN1VM-107Z	E CAPACITOR	100uF 35V M	C951	QETN1EM-477Z	E CAPACITOR	470uF 25V M
C526	QFV21HJ-824Z	MF CAPACITOR	0.82uF 50V J	C952	QETN1CM-227Z	E CAPACITOR	220uF 16V M
C527	QFLC2AJ-103Z	M CAPACITOR	0.01uF 100V J	C971	QETN1CM-107Z	E CAPACITOR	100uF 16V M
C531	QCB32HK-471Z	C CAPACITOR	470pF 500V K	C972	QETN1EM-476Z	E CAPACITOR	47uF 25V M
C533	QETN1HM-106Z	E CAPACITOR	10uF 50V M	△C998	QCZ9073-33Z	C CAPACITOR	3300pF 250V M
C601	NCB31CK-224X	C CAPACITOR	0.22uF 16V K	△C999	CH41005-H-10C	FORMING BUS WIR	
C602	NCB31CK-104X	C CAPACITOR	0.1uF 16V K	R003	NRSA63J-101X	MG RESISTOR	100Ω 1/16W J
C603	NCB31CK-104X	C CAPACITOR	0.1uF 16V K	R004	NRSA63J-101X	MG RESISTOR	100Ω 1/16W J
C604	QETN1HM-106Z	E CAPACITOR	10uF 50V M	R005	NRSA63J-0R0X	MG RESISTOR	0Ω 1/16W J
C621	QETN1HM-106Z	E CAPACITOR	10uF 50V M	R006	NRSA63J-223X	MG RESISTOR	22kΩ 1/16W J
C622	QETN1HM-106Z	E CAPACITOR	10uF 50V M	R008	NRSA63J-820X	MG RESISTOR	82Ω 1/16W J
C624	QETN1HM-475Z	E CAPACITOR	4.7uF 50V M	R009	NRSA63J-682X	MG RESISTOR	6.8kΩ 1/16W J
C626	QETN1HM-475Z	E CAPACITOR	4.7uF 50V M	R101	NRSA63J-562X	MG RESISTOR	5.6kΩ 1/16W J
C627	NCF21CZ-105X	C CAPACITOR	1uF 16V Z	R102	NRSA63J-182X	MG RESISTOR	1.8kΩ 1/16W J
C628	QETN1HM-226Z	E CAPACITOR	22uF 50V M	R103	QRE121J-101Y	C RESISTOR	100Ω 1/2W J
C629	NCF21CZ-105X	C CAPACITOR	1uF 16V Z	R104	NRSA63J-180X	MG RESISTOR	18Ω 1/16W J
C630	QETN1EM-227Z	E CAPACITOR	220uF 25V M	R105	NRSA63J-270X	MG RESISTOR	27Ω 1/16W J
C632	QETN1EM-477Z	E CAPACITOR	470uF 25V M	R111	NRSA63J-394X	MG RESISTOR	390kΩ 1/16W J
C633	QETN1EM-227Z	E CAPACITOR	220uF 25V M	R112	NRSA63J-334X	MG RESISTOR	330kΩ 1/16W J
C634	QETN1HM-106Z	E CAPACITOR	10uF 50V M	R113	NRSA63J-101X	MG RESISTOR	100Ω 1/16W J
C635	QETN1HM-105Z	E CAPACITOR	1uF 50V M	R115	NRSA63J-101X	MG RESISTOR	100Ω 1/16W J
C637	QETN1EM-108Z	E CAPACITOR	1000uF 25V M	R116	NRSA63J-680X	MG RESISTOR	68Ω 1/16W J
C638	QETN1EM-108Z	E CAPACITOR	1000uF 25V M	R117	NRSA63J-273X	MG RESISTOR	27kΩ 1/16W J
C641	NCB31HK-472X	C CAPACITOR	4700pF 50V K	R120	NRSA63J-104X	MG RESISTOR	100kΩ 1/16W J
C642	NCB31CK-273X	C CAPACITOR	0.027uF 16V K	R121	NRSA63J-273X	MG RESISTOR	27kΩ 1/16W J
C643	QETN1HM-106Z	E CAPACITOR	10uF 50V M	R131	NRSA63J-102X	MG RESISTOR	1kΩ 1/16W J
C644	QETN1HM-106Z	E CAPACITOR	10uF 50V M	R132	NRSA63J-331X	MG RESISTOR	330Ω 1/16W J
C645	QETN1HM-105Z	E CAPACITOR	1uF 50V M	R133	NRSA63J-821X	MG RESISTOR	820Ω 1/16W J
C646	QETN1CM-107Z	E CAPACITOR	100uF 16V M	R134	NRSA63J-471X	MG RESISTOR	470Ω 1/16W J
C647	QETN1HM-106Z	E CAPACITOR	10uF 50V M	R135	NRSA63J-102X	MG RESISTOR	1kΩ 1/16W J
C648	QENC1CM-106Z	BP E CAPACITOR	10uF 16V M	R161	NRSA63J-332X	MG RESISTOR	3.3kΩ 1/16W J
C649	QENC1CM-106Z	BP E CAPACITOR	10uF 16V M	R163	NRSA63J-223X	MG RESISTOR	22kΩ 1/16W J
C651	NCF31AZ-105X	C CAPACITOR	1uF 10V Z	R164	NRSA63J-102X	MG RESISTOR	1kΩ 1/16W J
C652	NCF31AZ-105X	C CAPACITOR	1uF 10V Z	R165	NRSA63J-223X	MG RESISTOR	22kΩ 1/16W J
C655	NCB31HK-332X	C CAPACITOR	3300pF 50V K	R166	NRSA63J-103X	MG RESISTOR	10kΩ 1/16W J
C656	NCB31HK-332X	C CAPACITOR	3300pF 50V K	R167	NRSA63J-102X	MG RESISTOR	1kΩ 1/16W J
C657	NCB31HK-333X	C CAPACITOR	0.033uF 50V K	R168	NRSA63J-101X	MG RESISTOR	100Ω 1/16W J
C658	NCB31HK-333X	C CAPACITOR	0.033uF 50V K	R169	NRSA63J-561X	MG RESISTOR	560Ω 1/16W J
C659	QETN1HM-106Z	E CAPACITOR	10uF 50V M	R171	NRSA63J-333X	MG RESISTOR	33kΩ 1/16W J
C660	QETN1EM-476Z	E CAPACITOR	47uF 25V M	R201	NRSA63J-223X	MG RESISTOR	22kΩ 1/16W J
C661	NCB31HK-103X	C CAPACITOR	0.01uF 50V K	R212	NRSA63J-272X	MG RESISTOR	2.7kΩ 1/16W J
C662	QETN1HM-106Z	E CAPACITOR	10uF 50V M	R215	NRSA63J-562X	MG RESISTOR	5.6kΩ 1/16W J
C700	NCB31HK-102X	C CAPACITOR	1000pF 50V K	R216	NRSA63J-562X	MG RESISTOR	5.6kΩ 1/16W J
C701	QETN1HM-106Z	E CAPACITOR	10uF 50V M	R217	NRSA63J-102X	MG RESISTOR	1kΩ 1/16W J
C702	QETN1HM-106Z	E CAPACITOR	10uF 50V M	R227	NRSA63J-104X	MG RESISTOR	100kΩ 1/16W J
C703	QETN1HM-106Z	E CAPACITOR	10uF 50V M	R231	NRSA63J-182X	MG RESISTOR	1.8kΩ 1/16W J
C704	QETN1CM-107Z	E CAPACITOR	100uF 16V M	R237	NRSA63J-392X	MG RESISTOR	3.9kΩ 1/16W J
C705	NCB31HK-103X	C CAPACITOR	0.01uF 50V K	R238	NRSA63J-473X	MG RESISTOR	47kΩ 1/16W J
C708	NDC31HJ-220X	C CAPACITOR	22pF 50V J	R241	NRSA63J-332X	MG RESISTOR	3.3kΩ 1/16W J
C709	NDC31HJ-220X	C CAPACITOR	22pF 50V J	R243	NRSA63J-152X	MG RESISTOR	1.5kΩ 1/16W J
C711	QETN1CM-107Z	E CAPACITOR	100uF 16V M	R281	NRSA63J-182X	MG RESISTOR	1.8kΩ 1/16W J
C712	NCB31HK-103X	C CAPACITOR	0.01uF 50V K	R282	NRSA63J-392X	MG RESISTOR	3.9kΩ 1/16W J
C728	NCB31HK-103X	C CAPACITOR	0.01uF 50V K	R283	NRSA63J-681X	MG RESISTOR	680Ω 1/16W J
C807	QETN1AM-477Z	E CAPACITOR	470uF 10V M	R286	NRSA63J-472X	MG RESISTOR	4.7kΩ 1/16W J
C815	NCB31HK-103X	C CAPACITOR	0.01uF 50V K	R287	NRSA63J-101X	MG RESISTOR	100Ω 1/16W J
C851	QETN1EM-107Z	E CAPACITOR	100uF 25V M	R288	NRSA02J-471X	MG RESISTOR	470Ω 1/16W J
C852	QETN1CM-107Z	E CAPACITOR	100uF 16V M	R289	NRSA63J-154X	MG RESISTOR	150kΩ 1/16W J
C853	QETN1EM-227Z	E CAPACITOR	220uF 25V M	R290	NRSA02J-561X	MG RESISTOR	560Ω 1/10W J
C854	QETN1CM-227Z	E CAPACITOR	220uF 16V M	R292	NRSA63J-124X	MG RESISTOR	120kΩ 1/16W J
C856	QETN1CM-227Z	E CAPACITOR	220uF 16V M	R293	NRSA63J-224X	MG RESISTOR	220kΩ 1/16W J
C857	QETN0JM-477Z	E CAPACITOR	470uF 6.3V M	R296	NRSA63J-101X	MG RESISTOR	100Ω 1/16W J
△C901	QFZ9072-104	MM CAPACITOR	0.1uF AC250V K	R297	NRSA63J-101X	MG RESISTOR	100Ω 1/16W J
△C902	QFZ9072-473	MM CAPACITOR	0.047uF AC250V K	R298	NRSA63J-101X	MG RESISTOR	100Ω 1/16W J
△C903	QFZ9072-104	MM CAPACITOR	0.1uF AC250V K	R301	NRSA63J-222X	MG RESISTOR	2.2kΩ 1/16W J
△C904	QCZ9054-102	C CAPACITOR	1000pF AC250V Z	R302	NRSA63J-222X	MG RESISTOR	2.2kΩ 1/16W J
△C905	QCZ9054-102	C CAPACITOR	1000pF AC250V Z	R303	NRSA63J-222X	MG RESISTOR	2.2kΩ 1/16W J
△C906	QCZ9054-102	C CAPACITOR	1000pF AC250V Z	R304	NRSA63J-101X	MG RESISTOR	100Ω 1/16W J
C907	QEZ0644-567	E CAPACITOR	560uF 200V K	R305	NRSA63J-101X	MG RESISTOR	100Ω 1/16W J
△C908	QCZ9054-102	C CAPACITOR	1000pF AC250V Z	R306	NRSA63J-101X	MG RESISTOR	100Ω 1/16W J
C912	QCZ0340-222	C CAPACITOR	2200pF 2kV K	R318	NRSA63J-472X	MG RESISTOR	4.7kΩ 1/16W J
C913	QFLC1HJ-471Z	M CAPACITOR	470pF 50V J	R319	NRSA63J-102X	MG RESISTOR	1kΩ 1/16W J
C914	QETN1HM-107Z	E CAPACITOR	100uF 50V M	R352	NRSA63J-103X	MG RESISTOR	10kΩ 1/16W J
C916	NDC31HJ-331X	C CAPACITOR	330pF 50V J	R354	NRSA63J-0R0X	MG RESISTOR	0Ω 1/16W J
C917	NCB31HK-182X	C CAPACITOR	1800pF 50V K	R355	NRSA63J-0R0X	MG RESISTOR	0Ω 1/16W J
C918	NCB21HK-104X	C CAPACITOR	0.1uF 50V K	R356	NRSA63J-123X	MG RESISTOR	12kΩ 1/16W J
C919	QFP32GJ-103	PP CAPACITOR	0.01uF 400V J	R358	NRSA63J-333X	MG RESISTOR	33kΩ 1/16W J
C931	QEZ0203-227	E CAPACITOR	220uF 160V M	R359	NRSA63J-103X	MG RESISTOR	10kΩ 1/16W J
C932	QETN1EM-108Z	E CAPACITOR	1000uF 25V M	R421	NRSA63J-822X	MG RESISTOR	8.2kΩ 1/16W J
C933	QETN1EM-108Z	E CAPACITOR	1000uF 25V M				

△Ref No.	Part No.	Part Name	Description Local	△Ref No.	Part No.	Part Name	Description Local
R423	NRSA63J-393X	MG RESISTOR	39kΩ 1/16W J	R764	NRSA63J-221X	MG RESISTOR	220Ω 1/16W J
R424	NRSA63J-393X	MG RESISTOR	39kΩ 1/16W J	R765	NRSA63J-221X	MG RESISTOR	220Ω 1/16W J
R426	NRSA63J-183X	MG RESISTOR	18kΩ 1/16W J	R766	NRSA63J-221X	MG RESISTOR	220Ω 1/16W J
R427	QRT029J-1R5	MF RESISTOR	1.5Ω 2W J	R767	NRSA63J-221X	MG RESISTOR	220Ω 1/16W J
R429	NRSA63J-272X	MG RESISTOR	2.7kΩ 1/16W J	R769	NRSA63J-682X	MG RESISTOR	6.8kΩ 1/16W J
R431	NRSA63J-152X	MG RESISTOR	1.5kΩ 1/16W J	R772	NRSA63J-103X	MG RESISTOR	10kΩ 1/16W J
R432	NRSA63J-101X	MG RESISTOR	100Ω 1/16W J	R811	NRSA63J-101X	MG RESISTOR	100Ω 1/16W J
R433	NRSA63J-681X	MG RESISTOR	680Ω 1/16W J	R816	NRSA63J-124X	MG RESISTOR	120kΩ 1/16W J
R434	QRL029J-181	OMF RESISTOR	180Ω 2W J	R821	NRSA63J-184X	MG RESISTOR	180kΩ 1/16W J
R435	QRE121J-102Y	C RESISTOR	1kΩ 1/2W J	R827	NRSA63J-102X	MG RESISTOR	1kΩ 1/16W J
R441	NRSA63J-0R0X	MG RESISTOR	0Ω 1/16W J	R839	NRSA63J-225X	MG RESISTOR	2.2MΩ 1/16W J
R501	NRSA63J-0R0X	MG RESISTOR	0Ω 1/16W J	R857	QRL029J-820	OMF RESISTOR	82Ω 2W J
R502	NRSA63J-271X	MG RESISTOR	270Ω 1/16W J	R901	QRF074K-1R2	UNF WW RESISTOR	1.2Ω 7W K
R503	QRE121J-103Y	C RESISTOR	10kΩ 1/2W J	R909	QRG01GJ-470	OMF RESISTOR	47Ω 1W J
R504	QRL039J-152	OMF RESISTOR	1.5kΩ 3W J	R911	QRE121J-223Y	C RESISTOR	22kΩ 1/2W J
R505	QRL039J-182	OMF RESISTOR	1.8kΩ 3W J	R912	QRT029J-R18	MF RESISTOR	0.18Ω 2W J
R511	QRE121J-220Y	C RESISTOR	22Ω 1/2W J	R913	QRT029J-R15	MF RESISTOR	0.15Ω 2W J
R512	QRE121J-681Y	C RESISTOR	680Ω 1/2W J	△R914	QRK126J-681X	UNF C RESISTOR	680Ω 1/16W J
R516	QRZ0221-2R0	OMF RESISTOR	2Ω 7W K	△R915	QRK129J-6R8	UNF C RESISTOR	6.8Ω 1/2W J
R524	NRSA63J-563X	MG RESISTOR	56kΩ 1/16W J	△R917	QRK126J-332X	UNF C RESISTOR	3.3kΩ 1/2W J
R526	QRE121J-272Y	C RESISTOR	2.7kΩ 1/2W J	R918	QRE121J-222Y	C RESISTOR	2.2kΩ 1/2W J
R527	QRE121J-154Y	C RESISTOR	150kΩ 1/2W J	R919	QRE121J-684Y	C RESISTOR	680kΩ 1/2W J
R528	QRE121J-154Y	C RESISTOR	150kΩ 1/2W J	R924	QRE121J-222Y	C RESISTOR	2.2kΩ 1/2W J
R529	NRSA63J-331X	MG RESISTOR	330Ω 1/16W J	R930	QRE121J-223Y	C RESISTOR	2.2kΩ 1/2W J
△R531	QRZ0230-391X	UNF C RESISTOR	390Ω 1/4W J	R940	QRE121J-181Y	C RESISTOR	180Ω 1/2W J
R532	NRSA63J-273X	MG RESISTOR	27kΩ 1/16W J	R941	QRL029J-183	OMF RESISTOR	18kΩ 2W J
R533	NRSA63J-123X	MG RESISTOR	12kΩ 1/16W J	R950	NRSA63J-0R0X	MG RESISTOR	0Ω 1/16W J
R534	NRSA63J-123X	MG RESISTOR	12kΩ 1/16W J	R951	NRSA63J-473X	MG RESISTOR	47kΩ 1/16W J
△R535	NRSA63D-272X	MG RESISTOR	2.7kΩ 1/16W D	R952	NRSA63J-102X	MG RESISTOR	1kΩ 1/16W J
R536	QRE121J-470Y	C RESISTOR	47Ω 1/2W J	R953	QRE121J-820Y	C RESISTOR	82Ω 1/2W J
△R537	NRSA63D-752X	MG RESISTOR	7.5kΩ 1/16W D	R972	NRSA63D-122X	MG RESISTOR	1.2kΩ 1/16W D
R538	NRSA63J-333X	MG RESISTOR	33kΩ 1/16W J	R973	NRVA02D-332X	CMF RESISTOR	3.3kΩ 1/10W D
R543	QRE121J-122Y	C RESISTOR	1.2kΩ 1/2W J	R975	QRE121J-223Y	C RESISTOR	22kΩ 1/2W J
R544	QRE121J-392Y	C RESISTOR	3.9kΩ 1/2W J	R977	QRE121J-473Y	C RESISTOR	47kΩ 1/2W J
R545	QRE121J-822Y	C RESISTOR	8.2kΩ 1/2W J	R978	NRSA63J-333X	MG RESISTOR	33kΩ 1/16W J
R546	NRSA63J-331X	MG RESISTOR	330Ω 1/16W J	△R998	QRZ9041-275	C RESISTOR	2.7MΩ 1/2W K
R547	NRSA63J-104X	MG RESISTOR	100kΩ 1/16W J	L001	QQL244K-560Z	PEAKING COIL	56uH K
R548	QRE121J-152Y	C RESISTOR	1.5kΩ 1/2W J	L101	QQLZ014-R39	COIL	0.39uH 100mA L
R553	QRL039J-390	OMF RESISTOR	39Ω 3W J	L131	QQL29BJ-220Z	P COIL	0.65Ω 22uH J
△R554	QRK126J-150X	UNF C RESISTOR	15Ω 1/2W J	L161	QQL29BJ-220Z	P COIL	0.65Ω 22uH J
R555	QRT029J-3R3	MF RESISTOR	3.3Ω 2W J	L232	QQL244K-560Z	PEAKING COIL	56uH K
R601	NRSA63J-750X	MG RESISTOR	75Ω 1/16W J	L241	QQL244K-220Z	PEAKING COIL	22uH K
R602	NRSA63J-750X	MG RESISTOR	75Ω 1/16W J	L391	QQL244K-220Z	PEAKING COIL	22uH K
R603	NRSA63J-750X	MG RESISTOR	75Ω 1/16W J	L511	QQR1165-004	LINEARITY COIL	
R621	NRSA63J-123X	MG RESISTOR	12kΩ 1/16W J	L512	QQLZ036-821	COIL	820uH K
R623	NRSA63J-102X	MG RESISTOR	1kΩ 1/16W J	L521	QQLZ026-700	COIL	70uH A)7%
R624	NRSA63J-123X	MG RESISTOR	12kΩ 1/16W J	L701	QQL244K-220Z	PEAKING COIL	22uH K
R626	NRSA63J-102X	MG RESISTOR	1kΩ 1/16W J	L702	QQL244K-220Z	PEAKING COIL	22uH K
R627	NRSA63J-102X	MG RESISTOR	1kΩ 1/16W J	L703	QQL244K-220Z	PEAKING COIL	22uH K
R628	NRSA63J-103X	MG RESISTOR	10kΩ 1/16W J	L704	QQL244K-220Z	PEAKING COIL	22uH K
R630	NRSA63J-472X	MG RESISTOR	4.7kΩ 1/16W J	L705	QQL244K-220Z	PEAKING COIL	22uH K
R631	NRSA63J-103X	MG RESISTOR	10kΩ 1/16W J	L931	QQL26AK-470Z	CHOCOIL	47uH K
R641	NRSA63J-102X	MG RESISTOR	1kΩ 1/16W J	L933	QQL26AK-470Z	CHOCOIL	47uH K
R642	NRSA63J-103X	MG RESISTOR	10kΩ 1/16W J	L937	QQL26AK-470Z	CHOCOIL	47uH K
R643	NRSA63J-223X	MG RESISTOR	22kΩ 1/16W J	L940	QQR0582-001Z	FERRITE BEADS	
R644	NRSA63J-102X	MG RESISTOR	1kΩ 1/16W J	T111	QQR0907-001	I F T	
R645	NRSA63J-562X	MG RESISTOR	5.6kΩ 1/16W J	T501	QQR1414-001	DRIVE TRANSF	
R646	NRSA63J-473X	MG RESISTOR	47kΩ 1/16W J	△T921	QQS0152-001	SW TRANSF	
R647	NRSA63J-103X	MG RESISTOR	10kΩ 1/16W J	△T951	QQT0355-001	POWER TRANSF	
R648	NRSA63J-103X	MG RESISTOR	10kΩ 1/16W J	CF001	QAX0349-001	C TRAP	47.25MHz
R649	NRSA63J-104X	MG RESISTOR	100kΩ 1/16W J	CF131	QAX0639-001Z	C TRAP	4.500MHz
R651	NRSA63J-223X	MG RESISTOR	22kΩ 1/16W J	CF161	QAX0642-001Z	C FILTER	4.500MHz
R652	NRSA63J-223X	MG RESISTOR	22kΩ 1/16W J	CN001	QGB1505J1-35	CONNECTOR	B-B (1-35)
R653	NRSA63J-223X	MG RESISTOR	22kΩ 1/16W J	CN004	QGA2501C5-07Z	CONNECTOR	W-B (1-7)
R654	NRSA63J-223X	MG RESISTOR	22kΩ 1/16W J	CN005	QGA2501C5-06Z	CONNECTOR	W-B (1-6)
R655	NRSA63J-0R0X	MG RESISTOR	0Ω 1/16W J	CN007	QGA2501C5-06Z	CONNECTOR	W-B (1-6)
R657	NRSA63J-0R0X	MG RESISTOR	0Ω 1/16W J	CN00C	QGA2501F1-06	CONNECTOR	W-B (1-6)
R659	NRSA63J-103X	MG RESISTOR	10kΩ 1/16W J	CN0E1	CE41507-001P	LV CONNECTOR	
R680	NRSA63J-101X	MG RESISTOR	100Ω 1/16W J	CN0E3	CE41507-001P	LV CONNECTOR	
R700	NRSA63J-102X	MG RESISTOR	1kΩ 1/16W J	CN0HV	QGG5004C1-06	CONNECTOR	(1-6)
R701	NRSA63J-103X	MG RESISTOR	10kΩ 1/16W J	CN0S1	QGA2501C5-05Z	CONNECTOR	W-B (1-5)
R702	NRSA63J-102X	MG RESISTOR	1kΩ 1/16W J	CN0SS	QGA2501C5-04Z	CONNECTOR	W-B (1-4)
R704	NRSA63J-472X	MG RESISTOR	4.7kΩ 1/16W J	△CP932	ICP-N70-T	IC PROTECTOR	2.5A
R705	NRSA63J-472X	MG RESISTOR	4.7kΩ 1/16W J	△CP933	ICP-N70-T	IC PROTECTOR	2.5A
R706	NRSA63J-472X	MG RESISTOR	4.7kΩ 1/16W J	△CP936	ICP-N70-T	IC PROTECTOR	2.5A
R707	NRSA63J-103X	MG RESISTOR	10kΩ 1/16W J	△F901	QMF51N1-5R0-J5	FUSE	5A AC125V
R708	NRSA63J-101X	MG RESISTOR	100Ω 1/16W J	△F905	QMFZ049-5R0Z-E	FUSE	5A 125V
R709	NRSA63J-101X	MG RESISTOR	100Ω 1/16W J	△FR525	QRZ9017-4R7	FUSI RESISTOR	4.7Ω 1/4W J
R718	NRSA63J-101X	MG RESISTOR	100Ω 1/16W J	HS001	LC32600-001A	HEAT SINK	
R721	NRSA63J-102X	MG RESISTOR	1kΩ 1/16W J	HS002	LC31678-001A	HEAT SINK/AL-F/	
R729	NRSA63J-223X	MG RESISTOR	22kΩ 1/16W J	HS003	LC32111-002A	HEAT SINK/AL-F/	
R731	NRSA63J-101X	MG RESISTOR	100Ω 1/16W J	HS004	CEHE015-001WU	HEAT SINK	
R732	NRSA63J-101X	MG RESISTOR	100Ω 1/16W J	HS005	CM42862-00G-H	HEAT SINK ASSY	
R733	NRSA63J-472X	MG RESISTOR	4.7kΩ 1/16W J	HS007	CEHT11B-002QS	HEAT SINK	
R734	NRSA63J-472X	MG RESISTOR	4.7kΩ 1/16W J	J601	QNN0349-002	PIN JACK	COMP IN
R739	NRSA63J-272X	MG RESISTOR	2.7kΩ 1/16W J				
R740	NRSA63J-103X	MG RESISTOR	10kΩ 1/16W J				

△Ref No.	Part No.	Part Name	Description Local	△Ref No.	Part No.	Part Name	Description Local
K101	QQR0582-001Z	FERRITE BEADS		R3131	NRSA63J-331X	MG RESISTOR	330Ω 1/16W J
K401	QQR0621-002Z	FERRITE BEADS		R3132	QRL029J-391	OMF RESISTOR	390Ω 2W J
K912	QQR0582-001Z	FERRITE BEADS		R3134	NRSA63J-101X	MG RESISTOR	100Ω 1/16W J
K916	QQR0582-001Z	FERRITE BEADS		R3136	NRSA63J-392X	MG RESISTOR	3.9kΩ 1/16W J
K917	QQR0582-001Z	FERRITE BEADS		R3139	NRSA63J-331X	MG RESISTOR	330Ω 1/16W J
K918	QQR0582-001Z	FERRITE BEADS		R3142	NRSA63J-123X	MG RESISTOR	12kΩ 1/16W J
K920	QQR1139-001	FERRITE BEADS		R3143	NRSA63J-122X	MG RESISTOR	1.2kΩ 1/16W J
K931	QQR0582-001Z	FERRITE BEADS		R3144	NRSA63J-101X	MG RESISTOR	100Ω 1/16W J
K932	QQR0582-001Z	FERRITE BEADS		R3145	NRSA63J-100X	MG RESISTOR	10Ω 1/16W J
K933	QQR0582-001Z	FERRITE BEADS		R3146	NRSA63J-100X	MG RESISTOR	10Ω 1/16W J
K935	QQR0582-001Z	FERRITE BEADS		R3148	NRSA63J-101X	MG RESISTOR	100Ω 1/16W J
K937	QQR0582-001Z	FERRITE BEADS		R3301	NRSA63J-151X	MG RESISTOR	150Ω 1/16W J
LC601	QQR1459-001	EMI F. COIL		R3302	NRSA63J-151X	MG RESISTOR	150Ω 1/16W J
LC602	QQR1459-001	EMI F. COIL		R3303	NRSA63J-151X	MG RESISTOR	150Ω 1/16W J
LC603	QQR1459-001	EMI F. COIL		R3304	NRSA63J-151X	MG RESISTOR	150Ω 1/16W J
△LF901	QQR1159-001	LINE FILTER		R3305	NRSA63J-151X	MG RESISTOR	150Ω 1/16W J
△LF902	QQR0527-004	LINE FILTER		R3306	NRSA63J-151X	MG RESISTOR	150Ω 1/16W J
△PC921	PC123Y22	PHOTO COUPLER		R3307	NRSA63J-470X	MG RESISTOR	47Ω 1/16W J
△RY951	QSK0085-001	RELAY		R3308	NRSA63J-470X	MG RESISTOR	47Ω 1/16W J
S421	QSL4A13-C02	LEVER SWITCH	V.CENTER	R3309	NRSA63J-470X	MG RESISTOR	47Ω 1/16W J
SF101	QAX0723-001	SAW FILTER		R3310	QRL029J-183	OMF RESISTOR	18kΩ 2W J
△TH901	QAD0132-3R0	W-PIC	3Ω	R3311	QRL029J-183	OMF RESISTOR	18kΩ 2W J
△TU001	QAU0305-001	TUNER		R3312	QRL029J-183	OMF RESISTOR	18kΩ 2W J
△VA901	ERZV10V621CS	ZNR		R3313	QRL029J-223	OMF RESISTOR	22kΩ 2W J
X701	QAX0767-001Z	CRYSTAL	8MHz	R3314	QRL029J-223	OMF RESISTOR	22kΩ 2W J
				R3315	QRL029J-223	OMF RESISTOR	22kΩ 2W J
				R3325	QRZ0107-102Z	C RESISTOR	1kΩ 1/2W K
				R3326	QRZ0107-102Z	C RESISTOR	1kΩ 1/2W K
				R3327	QRZ0107-102Z	C RESISTOR	1kΩ 1/2W K
				R3331	NRSA63J-182X	MG RESISTOR	1.8kΩ 1/16W J
				R3332	NRSA63J-182X	MG RESISTOR	1.8kΩ 1/16W J
				R3333	NRSA63J-182X	MG RESISTOR	1.8kΩ 1/16W J
				R3334	NRSA63J-152X	MG RESISTOR	1.5kΩ 1/16W J
				R3335	NRSA63J-271X	MG RESISTOR	270Ω 1/16W J
				R3351	NRSA63J-821X	MG RESISTOR	820Ω 1/16W J
				R3354	NRSA63J-102X	MG RESISTOR	1kΩ 1/16W J
				L3304	QQL244K-470Z	PEAKING COIL	47uH K
				CN3004	QJB003-073226	SIN ID C-B WIRE	
				CN3005	WJA0029-001A	E-SI ID WIRE	
				CN300V	QGA2501C5-03Z	CONNECTOR	W-B (1-3)
				CN30E2	QUB130-38A6AS	SIN TWIST WIRE	
				CN30E4	QUB130-38A6AS	SIN TWIST WIRE	
				K3104	QQR1114-001Z	FERRITE BEADS	
				K3105	QQR1114-001Z	FERRITE BEADS	
				△SK3001	QNZ0536-001	CRT SOCKET	

CRT SOCKET P.W. BOARD ASS'Y (SGJ-3512A-M2)

△Ref No.	Part No.	Part Name	Description Local
Q3103	2SC3928A/QR/-X	TRANSISTOR	
Q3107	2SA2005/DE/	POW TRANSISTOR	
Q3108	2SC5511/DE/	POW TRANSISTOR	
Q3109	2SC3928A/QR/-X	TRANSISTOR	
Q3304	2SC4544-LB	POW TRANSISTOR	
Q3305	2SC4544-LB	POW TRANSISTOR	
Q3306	2SC4544-LB	POW TRANSISTOR	
Q3351	2SA1530A/QR/-X	TRANSISTOR	
D3105	RH1S-T3	SI DIODE	
D3106	RH1S-T3	SI DIODE	
D3311	MTZJ3.6B-T2	Z DIODE	
D3312	1SS133-T2	DIODE	
D3313	MTZJ4.3A-T2	Z DIODE	
D3314	1SS133-T2	DIODE	
D3331	1SS133-T2	DIODE	
D3351	1SS133-T2	DIODE	
D3352	1SS133-T2	DIODE	
D3353	1SS133-T2	DIODE	
D3354	1SS133-T2	DIODE	
C3101	QETN1HM-106Z	E CAPACITOR	10uF 50V M
C3109	QETN1CM-107Z	E CAPACITOR	100uF 16V M
C3111	NDC31HJ-221X	C CAPACITOR	220pF 50V J
C3113	QETN2CM-106Z	E CAPACITOR	10uF 160V M
C3114	QCB32HK-472Z	C CAPACITOR	4700pF 500V K
C3115	QCB32HK-472Z	C CAPACITOR	4700pF 500V K
C3117	QETN2CM-106Z	E CAPACITOR	10uF 160V M
C3118	QETN0JM-107Z	E CAPACITOR	100uF 6.3V M
C3119	QETN1AM-107Z	E CAPACITOR	100uF 10V M
C3120	QETN1AM-337Z	E CAPACITOR	330uF 10V M
C3121	QCS32HJ-151Z	C CAPACITOR	150pF 500V J
C3127	NDC31HJ-471X	C CAPACITOR	470pF 50V J
C3301	NDC31HJ-561X	C CAPACITOR	560pF 50V J
C3302	NDC31HJ-391X	C CAPACITOR	390pF 50V J
C3303	NDC31HJ-561X	C CAPACITOR	560pF 50V J
C3323	QETN1CM-107Z	E CAPACITOR	100uF 16V M
C3331	NDC31HJ-181X	C CAPACITOR	180pF 50V J
C3332	NDC31HJ-181X	C CAPACITOR	180pF 50V J
C3333	NDC31HJ-181X	C CAPACITOR	180pF 50V J
C3351	QETN1CM-107Z	E CAPACITOR	100uF 16V M
C3363	QCZ0324-102	C CAPACITOR	1000pF 3kV P
R3115	NRSA63J-470X	MG RESISTOR	47Ω 1/16W J
R3116	NRSA63J-470X	MG RESISTOR	47Ω 1/16W J
R3122	QRT029J-R15	MF RESISTOR	0.15Ω 2W J
R3123	NRSA63J-122X	MG RESISTOR	1.2kΩ 1/16W J
R3124	NRSA63J-820X	MG RESISTOR	82Ω 1/16W J
R3125	NRSA63J-100X	MG RESISTOR	10Ω 1/16W J
R3126	NRSA63J-563X	MG RESISTOR	56kΩ 1/16W J
R3127	NRSA63J-563X	MG RESISTOR	56kΩ 1/16W J
R3128	NRSA63J-122X	MG RESISTOR	1.2kΩ 1/16W J
R3129	NRSA63J-100X	MG RESISTOR	10Ω 1/16W J
R3130	NRSA63J-820X	MG RESISTOR	82Ω 1/16W J

AV SELECTOR P.W. BOARD ASS'Y (SGJ-5506A-M2)

REFER TO PARTS LIST IN PAGE 3-9 FOR THIS P.W. BOARD.

FRONT CONTROL P.W. BOARD ASS'Y (SGJ-6506A-M2)

REFER TO PARTS LIST IN PAGE 3-11 FOR THIS P.W. BOARD.

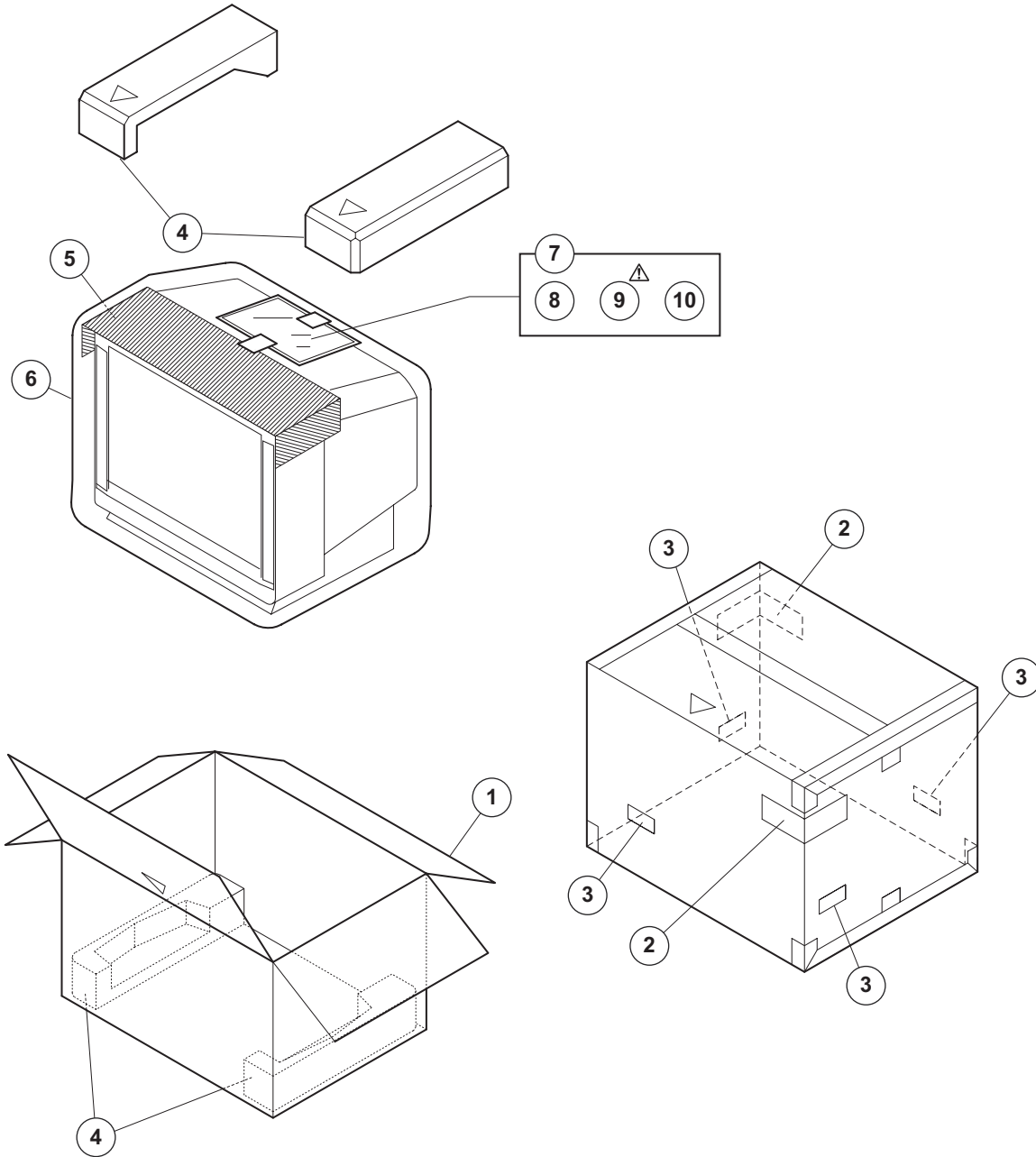
LED & POWER SW P.W. BOARD ASS'Y (SGJ-7506A-M2)

REFER TO PARTS LIST IN PAGE 3-11 FOR THIS P.W. BOARD.

REMOTE CONTROL UNIT PARTS LIST (RM-C1258G-1H)

△Ref No.	Part No.	Part Name	Description Local
	UR77EC0603B	BATTERY COVER	

PACKING



PACKING PARTS LIST

△ Ref.No.	Part No.	Part Name	Description	Local
1	LC10181-032A-A	PACKING CASE		
2	CM36616-001-A	CORNER LABEL	2pcs in 1set	
3	GQ40044-001B-A	INCH SIZE LABEL	(x4)	
4	LC11575-002C-A	CUSHION	4pcs in 1set	
5	CP30055-A02-A	TOP COVER		
6	CP30056-A04-A	POLY BAG		
7	QPA02503505	POLY BAG	25cm x 35cm	
8	RM-C1258G-1H	REMOCON		
9	LCT1608-001A-A	INST BOOK		
10	-----	BATTERY	R6P/AA(x2)	

Other ManualsLib Projects



www.manualslib.com



www.manualslib.de



www.manualslib.es



www.manualslib.fr



www.manualslib.nl



www.manualslib.mx



www.manualslib.tech 30+ Languages